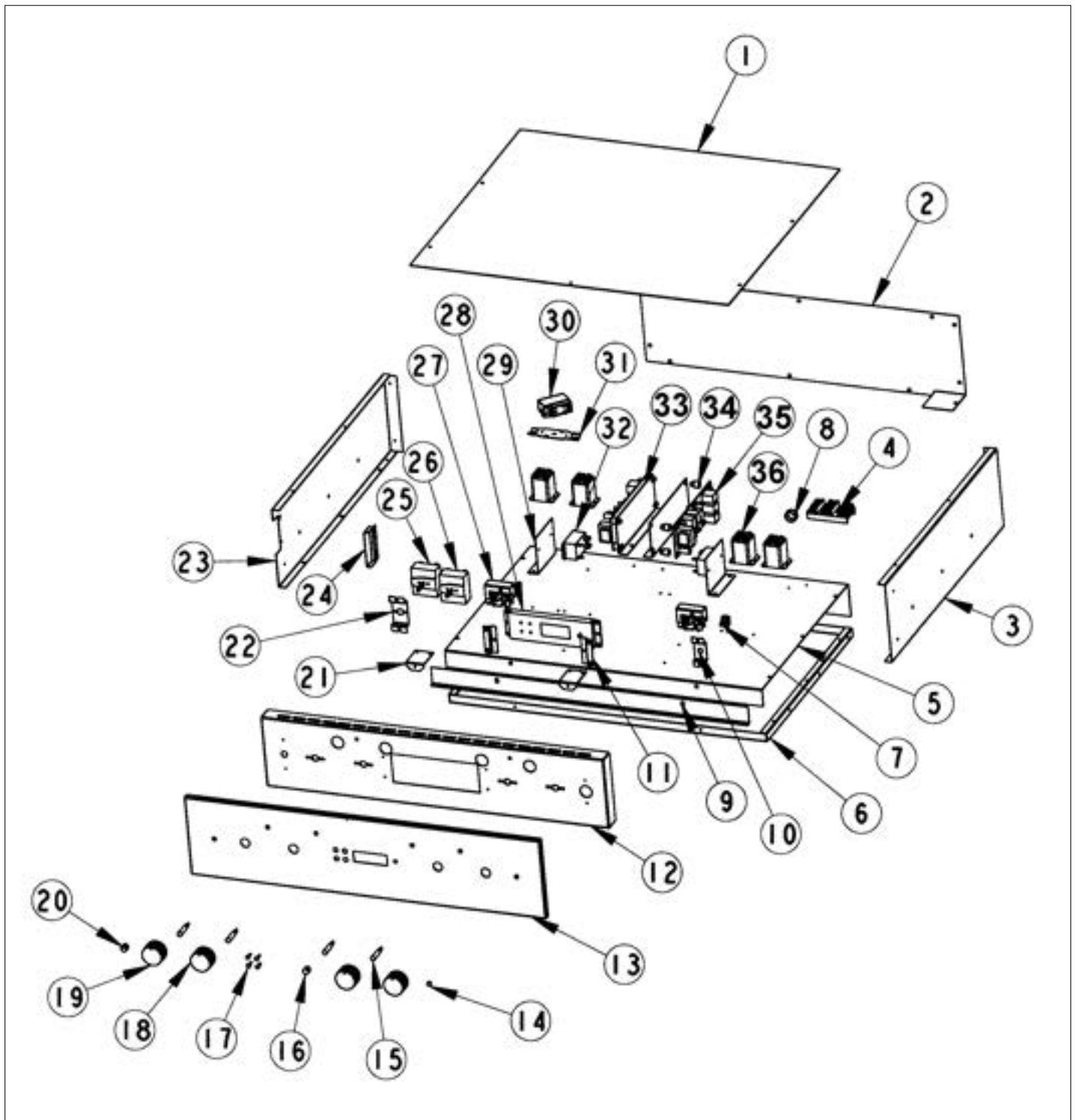


CDEDO200

CONTROL PANEL	1
CONVECTION FAN ASSY	2
FUNCTIONAL PARTS	3
LOWER DOOR ASSY	4
LOWER OVEN ASSY	5
REAR PANEL ASSY	6
UPPER DOOR ASSY	7
UPPER OVEN ASSY	8
Appendix A:Pages Index	A
Appendix B:Parts Index	B

CONTROL PANEL





Item	Part No.	Name	Qty	Uom	NOTES
1	A2006142	DESIGNER OVEN CABINET TOP	1	EA	NO LONGER AVAILABLE, Not available online / Call for pricing and availability
2	A2006108	30 INCH TOP REAR COVER	1	EA	NO LONGER AVAILABLE, Not available online / Call for pricing and availability
3	A2006122	CABINET SIDE RH	1	EA	Not available online / Call for pricing and availability
4	PE070147	TERMINAL BLOCK (VDSC)	1	EA	
5	NOT REPLACABLE	Sandwich Panel - Top	1	EA	
6	NOT REPLACABLE	Sandwich Panel - Bottom	1	EA	
7	G4008423	DESIGNER OVEN LIGHT SWITCH ASSY	1	EA	
8	PD040005	SNAP BUSHING - 7/8"	1	EA	
9	A2006184	FRONT SANDWICH PANEL ANGLE 30	1	EA	NO LONGER AVAILABLE
10	A2006101	OVEN LIGHT SWITCH BRACKET	1	EA	
11	A2006098	CLOCK MOUNTING BRACKET	1	EA	NO LONGER AVAILABLE
12	E9106134	CONTROL MOUNTING PANEL 30 (DEDO200)	1	EA	
13	B9206138	CONTROL PANEL - DEDO 200 (SS)	1	EA	Not Field Replaceable
Not Shown	C9206138BK	CTRL PAN DEDO200 *BK* SLK. SC.	1	EA	NO LONGER AVAILABLE, Not available online / Call for pricing and availability
Not Shown	C9206138BT	CTRL PAN DEDO200 *BT* SLK. SC.	1	EA	NO LONGER AVAILABLE, Not available online / Call for pricing and availability
Not Shown	C9206138GG	CTRL PAN DEDO200 *GG* SLK. SC.	1	EA	NO LONGER AVAILABLE
Not Shown	C9206138SG	CTRL PAN DEDO200 *SG* SLK. SC.	1	EA	NO LONGER AVAILABLE
Not Shown	C9206138WH	CTRL PAN DEDO200 *WH* SLK. SC.	1	EA	NO LONGER AVAILABLE



Item	Part No.	Name	Qty	Uom	NOTES
Not Shown	B9207962	CONTROL PANEL 30	1	EA	
Not Shown	C9207962BK	CTRL PANEL 30 *BK* SLK. SC.	1	EA	NO LONGER AVAILABLE
Not Shown	C9207962BT	CTRL PANEL 30 *BT* SLK. SC.	1	EA	NO LONGER AVAILABLE, Not available online / Call for pricing and availability
Not Shown	C9207962GG	CTRL PANEL 30 *GG* SLK. SC.	1	EA	NO LONGER AVAILABLE
Not Shown	C9207962SG	CTRL PANEL 30 *SG* SLK. SC.	1	EA	
Not Shown	C9207962WH	CTRL PANEL 30 *WH* SLK. SC.	1	EA	NO LONGER AVAILABLE
14	PA010093	DESIGNER OVEN LT SWITCH KNOB	1	EA	
Not Shown	PA010093PVD	DESIGNER OVEN LT SWITCH KNOB-BRASS	1	EA	
15	PE050073	DESIGNER INDICATOR LT	1	EA	
16	PB010198	BIT GENERATOR KNOB	1	EA	
Not Shown	PB010198PVD	BIT GENERATOR KNOB - BR	1	EA	
17	PB010217	DESIGNER CLOCK BUTTON	1	EA	
Not Shown	PB010217PVD	DESIGNER CLOCK BUTTON-BRASS	1	EA	
18	PB010196	DESIGNER THERMOSTAT KNOB	1	EA	
Not Shown	PB010196PVD	DESIGNER THERMOSTAT KNOB W/BRASS	1	EA	
Not Shown	PB010204	DESIGNER THERMOSTAT KNOB - GRAY	1	EA	
Not Shown	PB010204PVD	DESIGNER THERMOSTAT KNOB -BR/GRAY	1	EA	
19	PA010194	DES. SELECTOR/THERMOSTAT KNOB	1	EA	
Not Shown	PA010091PVD	DESIGNER SELECTOR KNOB - BR	1	EA	
Not Shown	PA010095	DESIGNER SELECTOR KNOB - GRAY	1	EA	
Not Shown	PA010095PVD	DESIGNER SELECTOR KNOB-BR/GRAY	1	EA	

Item	Part No.	Name	Qty	Uom	NOTES
20	PA010110	DESIGNER OVEN SELECTOR KNOB REPL PA010092	1	EA	
Not Shown	PA010092PVD	DESIGNER OVEN SELECTOR KNOB - BRASS	1	EA	NO LONGER AVAILABLE
21	A2006144	CONTROL MOUNT BRACKET	1	EA	
22	A2006100	THREE POSITION SELECTOR BRKT	1	EA	
23	A2006123	CABINET SIDE LH	1	EA	
24	A2006109	SELECTOR SWITCH COVER	1	EA	NO LONGER AVAILABLE, Not available online / Call for pricing and availability
25	PJ030010	SELECTOR SWITCH (3- POSITION)VEDO205	1	EA	
26	PJ030001	SELECTOR SWITCH (8- POSITION) VDSC	1	EA	NO LONGER AVAILABLE
27	PJ030003	THERMOSTAT (SELF CLEAN) VDSC	1	EA	

Comments for Part Num. PJ030003

boltz on Nov 21, 2017

See Bulletin 2005-03

Reply by steves@bendbroadband.com on Apr 10, 2018

what bulletin? bulletin should linked here.

Reply by bradleysapplianceservice@shaw.ca on Sep 27, 2018

If you have access to Documoto then all you have to do is either run the part number PJ030003 or service bulletin number 2005-03AS in the main search field and all your answer will be there. It's Simple.

Not Shown	PJ030012	THERMOSTAT (SELF-CLEAN) VESO/VEDO	1	EA	See Bulletin 2005-03
--------------	----------	--------------------------------------	---	----	-------------------------

Comments for Part Num. PJ030012

boltz on Nov 21, 2017

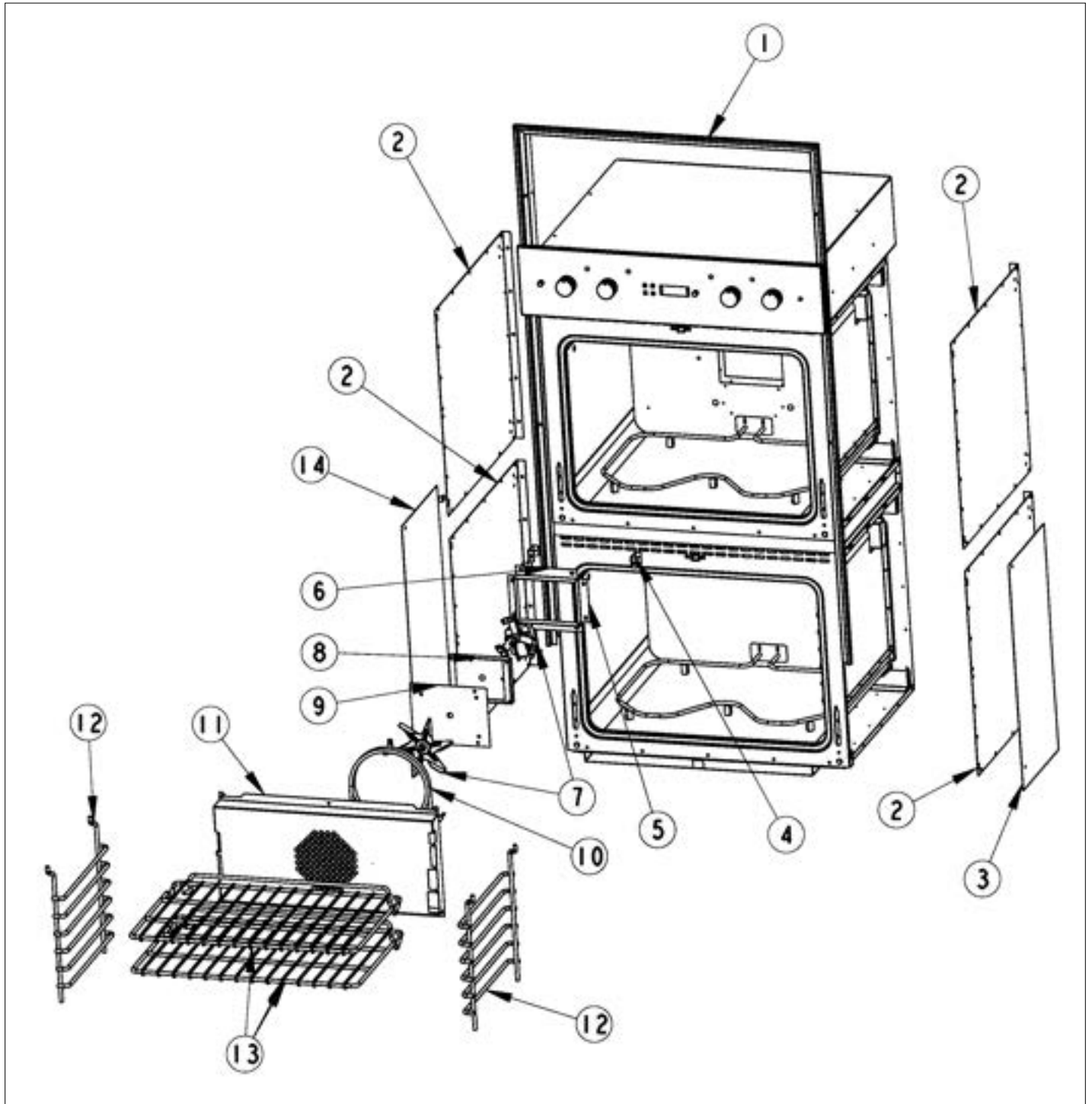
See Bulletin 2005-03

28	PE050049	CLOCK/TIMER(ROBERTSHAW# 100-00550-01	1	EA	NO LONGER AVAILABLE
29	A2006186	POWER RELAY BRACKET	1	EA	NO LONGER AVAILABLE, Not available online / Call for pricing and availability
30	PJ030002	AUTO RESET (SELF-CLEAN) VDSC	1	EA	



Item	Part No.	Name	Qty	Uom	NOTES
31	A1002456	THERMO-DISC BRKT (VDSC)	1	EA	
32	PM010029	RELAY (DOUBLE POLE-DOUBLE THROW)TEM	1	EA	
33	PJ030025	5 POS SELECTOR SWITCH	1	EA	
34	A2006099	TIMER BOARD BRACKET	1	EA	NO LONGER AVAILABLE, Not available online / Call for pricing and availability
35	PD030033	GROMMET NUT-ROUND HD. #8 X .500DIA.	1	EA	
36	PE070148	SELF-CLEAN BOARD/TIMER (VDSC)	1	EA	
37	PM010029	RELAY (DOUBLE POLE-DOUBLE THROW)TEM	1	EA	

CONVECTION FAN ASSY

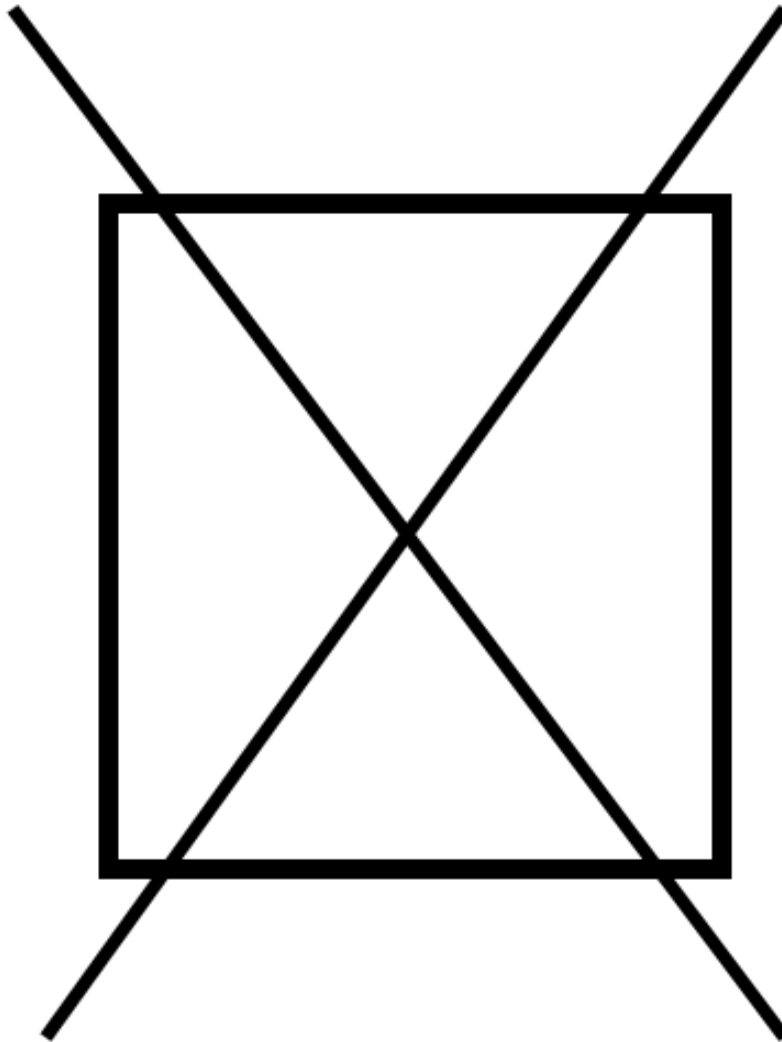




Item	Part No.	Name	Qty	Uom	NOTES
1	G3006124	FRONT TRIM ASSY 30 DOUBLE	1	EA	NO LONGER AVAILABLE
2	A2002904	SIDE INSULATION RETAINER	1	EA	NO LONGER AVAILABLE, Not available online / Call for pricing and availability
3	B2006194	SIDE HEAT SHIELD RH	1	EA	NO LONGER AVAILABLE, Not available online / Call for pricing and availability
4	A2001361	BACK SPACER (VGSC/VGSS)	1	EA	
5	A2008467	INSULATION SHIELD	1	EA	
6	A2001746	SIDE FAN SHIELD	1	EA	Not available online / Call for pricing and availability
7	PE050005	CONVECTION FAN ASSY	1	EA	
8	A2002595	CONVECTION FAN BOX (VDSC)	1	EA	
9	A1002596	CONVECTION FAN COVER (VDSC)	1	EA	
10	PJ010003	CONVECTION ELEMENT (VDSC) 240V	1	EA	NO LONGER AVAILABLE
11	E9102170	CONVECTION FAN COVER	1	EA	
12	PB060030	RACK SUPT REPL PB060010	1	EA	
13	PB060044	OVEN RK VDSC30/48RH REPL PB060019	1	EA	
14	B2006193	LH HEAT SHIELD (DEDO)	1	EA	NO LONGER AVAILABLE, Not available online / Call for pricing and availability

FUNCTIONAL PARTS

NON
ILLUSTRATED PART

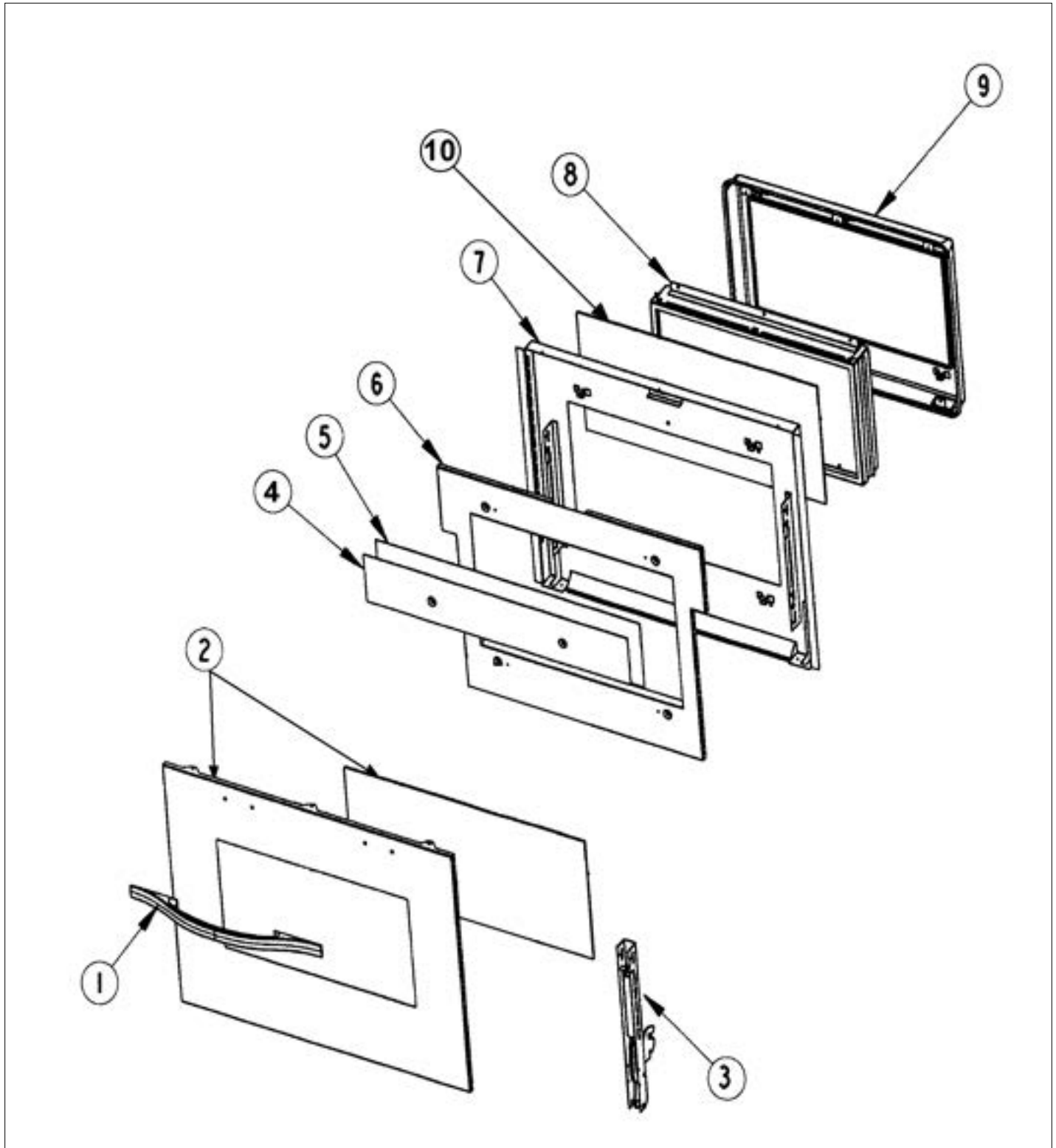


Item	Part No.	Name	Qty	Uom	NOTES
1	PJ030010	SELECTOR SWITCH (3-POSITION)VEDO205	1	EA	
2	PJ030025	5 POS SELECTOR SWITCH	1	EA	
3	PJ030001	SELECTOR SWITCH (8-POSITION) VDSC	1	EA	NO LONGER AVAILABLE
4	PJ030002	AUTO RESET (SELF-CLEAN) VDSC	1	EA	
5	PJ010004	BAKE ELEMENT (VDSC) 240V	1	EA	
6	PJ010001	BROIL ELEMENT 240V	1	EA	
7	PE050049	CLOCK/TIMER(ROBERTSHAW# 100-00550-01	1	EA	NO LONGER AVAILABLE
8	PJ010003	CONVECTION ELEMENT (VDSC) 240V	1	EA	NO LONGER AVAILABLE
9	PE050005	CONVECTION FAN ASSY	1	EA	
10	PE050087	BLOWER ASSEMBLY - DESIGNER SERIES	1	EA	
11	PE050053	DR LATCH REPL PE050020	1	EA	
Comments for Part Num. PE050053 profixappliances@gmail.com on Oct 8, 2019 UNIT DEDO200SS, 121203C0000000562 - USES SELF CLEAN LATCH PE050112 WITH HOOK POINTED "DOWN"					
12	PJ030006	SWITCH (COOLING FAN)	1	EA	
13	PE050059	HI-LIMIT SWITCH	1	EA	
14	PJ010002	BROIL ELEMENT(MAXI)-SIDE (VDSC)240V	1	EA	
15	PM010029	RELAY (DOUBLE POLE-DOUBLE THROW)TEM	1	EA	
16	PM010029	RELAY (DOUBLE POLE-DOUBLE THROW)TEM	1	EA	
17	PE070148	SELF-CLEAN BOARD/TIMER (VDSC)	1	EA	
18	PE070147	TERMINAL BLOCK (VDSC)	1	EA	
19	PJ030003	THERMOSTAT (SELF CLEAN) VDSC	1	EA	



Item	Part No.	Name	Qty	Uom	NOTES
<p>Comments for Part Num. PJ030003</p> <p>boltz on Nov 21, 2017 See Bulletin 2005-03 Reply by steves@bendbroadband.com on Apr 10, 2018 what bulletin? bulletin should linked here. Reply by bradleysapplianceservice@shaw.ca on Sep 27, 2018 If you have access to Documoto then all you have to do is either run the part number PJ030003 or service bulletin number 2005-03AS in the main search field and all your answer will be there. It's Simple.</p>					
20	PJ030012	THERMOSTAT (SELF-CLEAN) VESO/VEDO	1	EA	See Bulletin 2005-03
<p>Comments for Part Num. PJ030012</p> <p>boltz on Nov 21, 2017 See Bulletin 2005-03</p>					

LOWER DOOR ASSY





Item	Part No.	Name	Qty	Uom	NOTES
1	PE030167	30" DOOR HANDLE	1	EA	
Not Shown	PE030089PVD	DOOR HANDLE 30" *BR* PVD	1	EA	NO LONGER AVAILABLE
2	N/A*	O/S DOOR PANEL ASSY (BEFORE 2/15/02)	1	EA	
Not Shown	G5008294BK	O/S DOOR SKIN ASSEMBLY (DESIGN)	1	EA	
Not Shown	G5008294BT	O/S DOOR SKIN ASSEMBLY (DESIGN)	1	EA	NO LONGER AVAILABLE
Not Shown	G5008294GG	O/S DOOR SKIN ASSEMBLY (DESIGN)	1	EA	NO LONGER AVAILABLE
Not Shown	G5008294SG	O/S DOOR SKIN ASSEMBLY (DESIGN)	1	EA	Not available online / Call for pricing and availability
Not Shown	G5008294SS	O/S DOOR SKIN ASSEMBLY (DESIGN)	1	EA	NO LONGER AVAILABLE
Not Shown	G5008294WH	O/S DOOR SKIN ASSEMBLY (DESIGN)	1	EA	NO LONGER AVAILABLE, Not available online / Call for pricing and availability
3	N/A*	DOOR HINGE (BEFORE 2/15/02)	1	EA	
PC020139	006072-000	HINGE, DOOR, ASM, MANSFIELD, DES, GREEN SPRING	1	EA	
<p>Comments for Part Num. 006072-000</p> <p>bradleysapplianceservice@shaw.ca on Sep 13, 2017</p> <p>SUBS TO: 006072-000 OVEN DOOR HINGE - GREEN SPRING</p>					
4	A1006196	OUTER DOOR HEAT SHIELD 30	1	EA	Not available online / Call for pricing and availability
5	A1006195	INNER DOOR HEAT SHIELD 30	1	EA	
6	A2006016	30 INCH DESIGNER DOOR INSULATION	1	EA	Not available online / Call for pricing and availability
7	N/A*	DOOR LINER ASSY (BEFORE 2/15/02)	1	EA	
Not Shown	H9107910	DOOR LINER ASSEMBLY (AFTER 2/15/02)	1	EA	Not available online / Call for pricing and availability

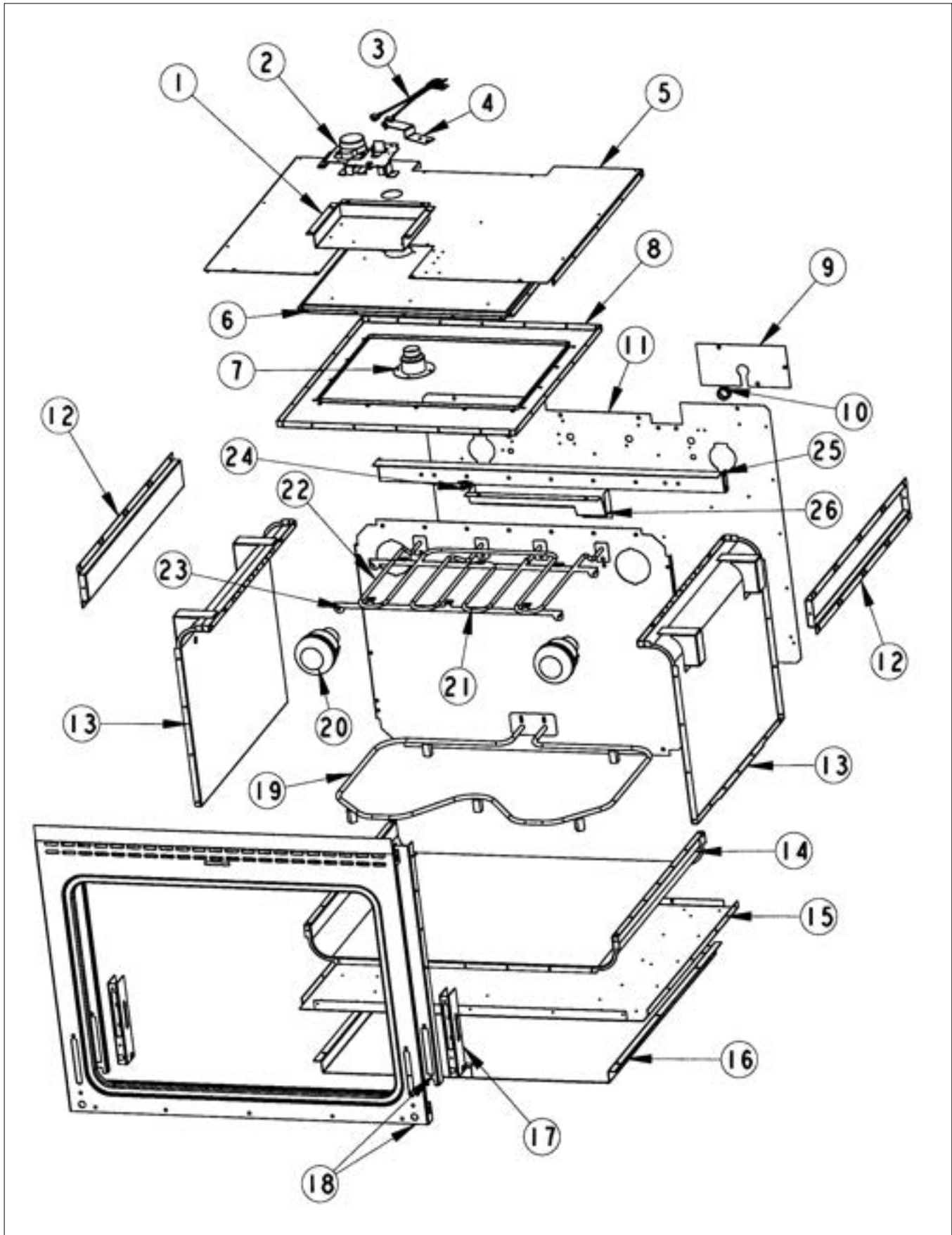


Item	Part No.	Name	Qty	Uom	NOTES
8	G3206151	30 INCH DESIGNER GLASS PACK ASSY	1	EA	
9	H9106017	DOOR PLUG ASSEMBLY	1	EA	Not available online / Call for pricing and availability
10	PE060057	30" GLASS PACK GLASS H.T.	1	EA	
NI	PB070093	BOARD INSULATION 30"	1	EA	
NI	N/A*	COMPLETE DOOR ASSY (BEFORE 2/15/02)	1	EA	
Not Shown	G3207969BK	LOWER DR ASSY*BK*(DEDO200)	1	EA	NO LONGER AVAILABLE
Not Shown	G3207969BKBR	COMPLETE DOOR ASSY - BKBR	1	EA	Not available online / Call for pricing and availability
Not Shown	G3207969BT	LOWER DR ASSY*BT*(DEDO200)	1	EA	NO LONGER AVAILABLE, Not available online / Call for pricing and availability
Not Shown	G3207969BTBR	COMPLETE DOOR ASSY - BTBR	1	EA	Not available online / Call for pricing and availability
Not Shown	G3207969GG	LOWER DR ASSY*GG*(DEDO200)	1	EA	NO LONGER AVAILABLE, Not available online / Call for pricing and availability
Not Shown	G3207969GGBR	COMPLETE DOOR ASSY - GGBR	1	EA	Not available online / Call for pricing and availability
Not Shown	G3207969SG	LOWER DR ASSY*SG*(DEDO200)	1	EA	NO LONGER AVAILABLE, Not available online / Call for pricing and availability
Not Shown	G3207969SGBR	LOWER DR ASSY*SG*BR*(DEDO200)	1	EA	NO LONGER AVAILABLE, Not available online / Call for pricing and availability
Not Shown	G3207969SS	LOWER DR ASSY*SS*(DEDO200)	1	EA	
Not Shown	G3207969SSBR	LOWER DR ASSY*SS*BR*(DEDO200)	1	EA	NO LONGER AVAILABLE



Item	Part No.	Name	Qty	Uom	NOTES
Not Shown	G3207969WH	LOWER DR ASSY*WH*(DEDO200)	1	EA	NO LONGER AVAILABLE, Not available online / Call for pricing and availability
Not Shown	G3207969WHBR	COMPLETE DOOR ASSY - WHBR	1	EA	Not available online / Call for pricing and availability
NI	PD020032	SRW-8(A)X3/8"PH.WFR HD 7/16DIA*NICL	1	EA	
NI	B1007913	HINGE CLIP (DESIGNER TIME PIECE)	1	EA	

LOWER OVEN ASSY



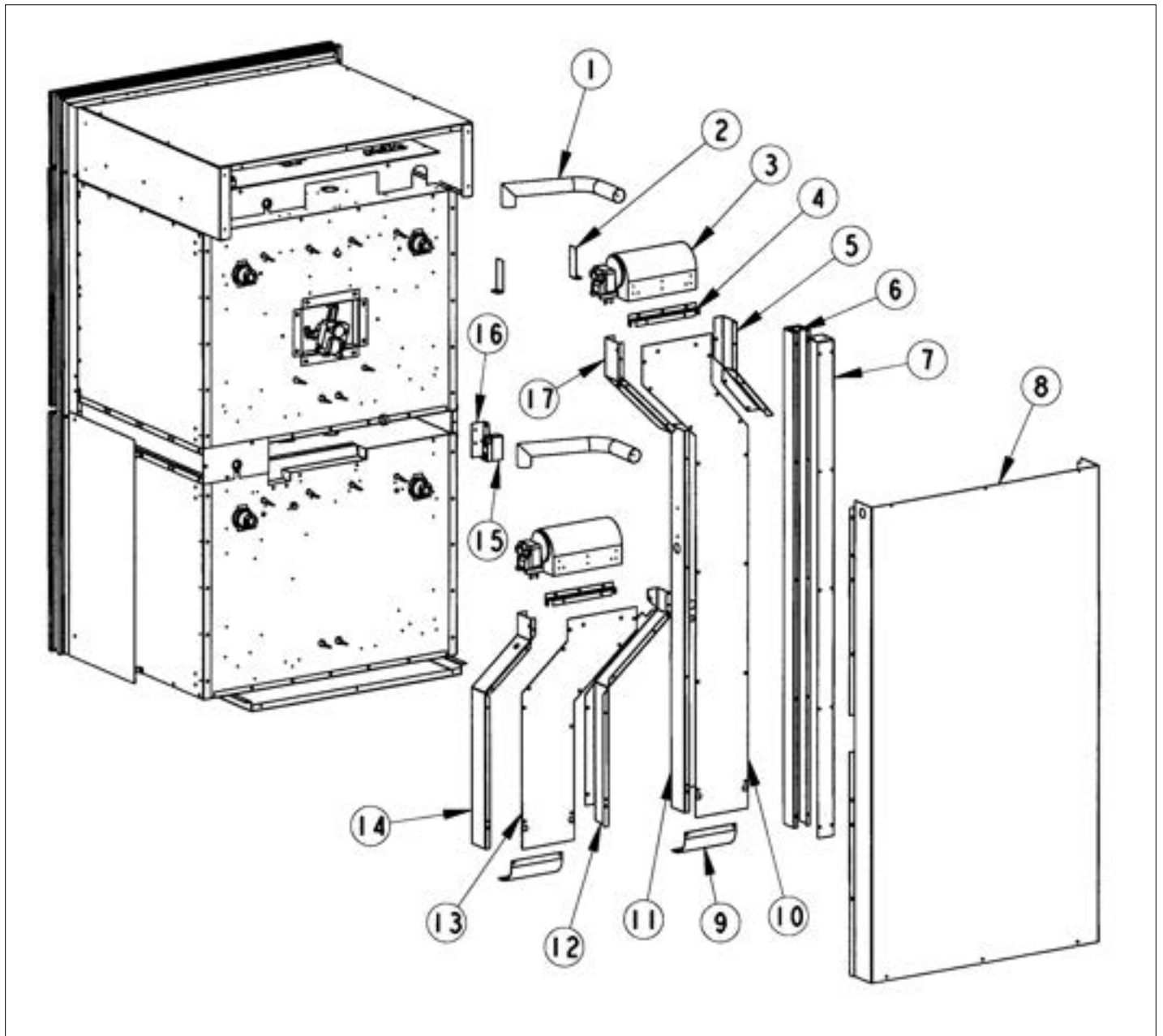


Item	Part No.	Name	Qty	Uom	NOTES
1	A2002168	DOOR LATCH BRKT (VDSC)	1	EA	
2	PE050053	DR LATCH REPL PE050020	1	EA	
Comments for Part Num. PE050053					
profixappliances@gmail.com on Oct 8, 2019					
UNIT DEDO200SS, 121203C0000000562 - USES SELF CLEAN LATCH PE050112 WITH HOOK POINTED "DOWN"					
3	PE050059	HI-LIMIT SWITCH	1	EA	
4	A2006102	UPPER VENT BRACKET	1	EA	
5	NOT REPLACABLE	TOP INSULATION RETAINER	1	EA	
6	B2002167	BROILER TOP (VDSC)	1	EA	NO LONGER AVAILABLE
7	PM010014	SMOKE ELIMINATOR (VDSC)	1	EA	
8	E9102153	OVEN TOP (VDSC)	1	EA	NO LONGER AVAILABLE
9	A1006103	RH LOWER REAR COVER 30 (DEDO200)	1	EA	NO LONGER AVAILABLE, Not available online / Call for pricing and availability
10	PD040005	SNAP BUSHING - 7/8"	1	EA	
11	A1006089	L.O. BACK INSUL. PNL. 30"	1	EA	NO LONGER AVAILABLE, Not available online / Call for pricing and availability
12	A2006088	OVEN MOUNTING BRACKET	1	EA	NO LONGER AVAILABLE
13	G9102736	OVEN SIDE ASSY (VDSC)	1	EA	NO LONGER AVAILABLE, Not available online / Call for pricing and availability
14	NOT REPLACABLE	OVEN BOTTOM ASSEMBLY	1	EA	
15	NOT REPLACABLE	BOTTOM INSULATION RETAINER	1	EA	
16	NOT REPLACABLE	OVEN BOTTOM VENT	1	EA	
17	PC020016	HINGE RECEIVER (VEDO/VEDO)	1	EA	
18	H9106117	30 INCH DESIGN. LOWER F.F.ASSY-DEDO	1	EA	NO LONGER AVAILABLE
19	PJ010004	BAKE ELEMENT (VDSC) 240V	1	EA	
20	031449-000	LAMP, ASM	1	EA	



Item	Part No.	Name	Qty	Uom	NOTES
21	PJ010001	BROIL ELEMENT 240V	1	EA	
22	PJ010002	BROIL ELEMENT(MAXI)-SIDE (VDSC)240V	1	EA	
23	B2002185	BROIL ELEMENT BRKT (VDSC)	1	EA	
24	PJ030006	SWITCH (COOLING FAN)	1	EA	
25	A2002158	REAR OVEN SUPT (VDSC)	1	EA	NO LONGER AVAILABLE, Not available online / Call for pricing and availability
26	A2006327	MIDDLE BACK VENT	1	EA	NO LONGER AVAILABLE, Not available online / Call for pricing and availability

REAR PANEL ASSY



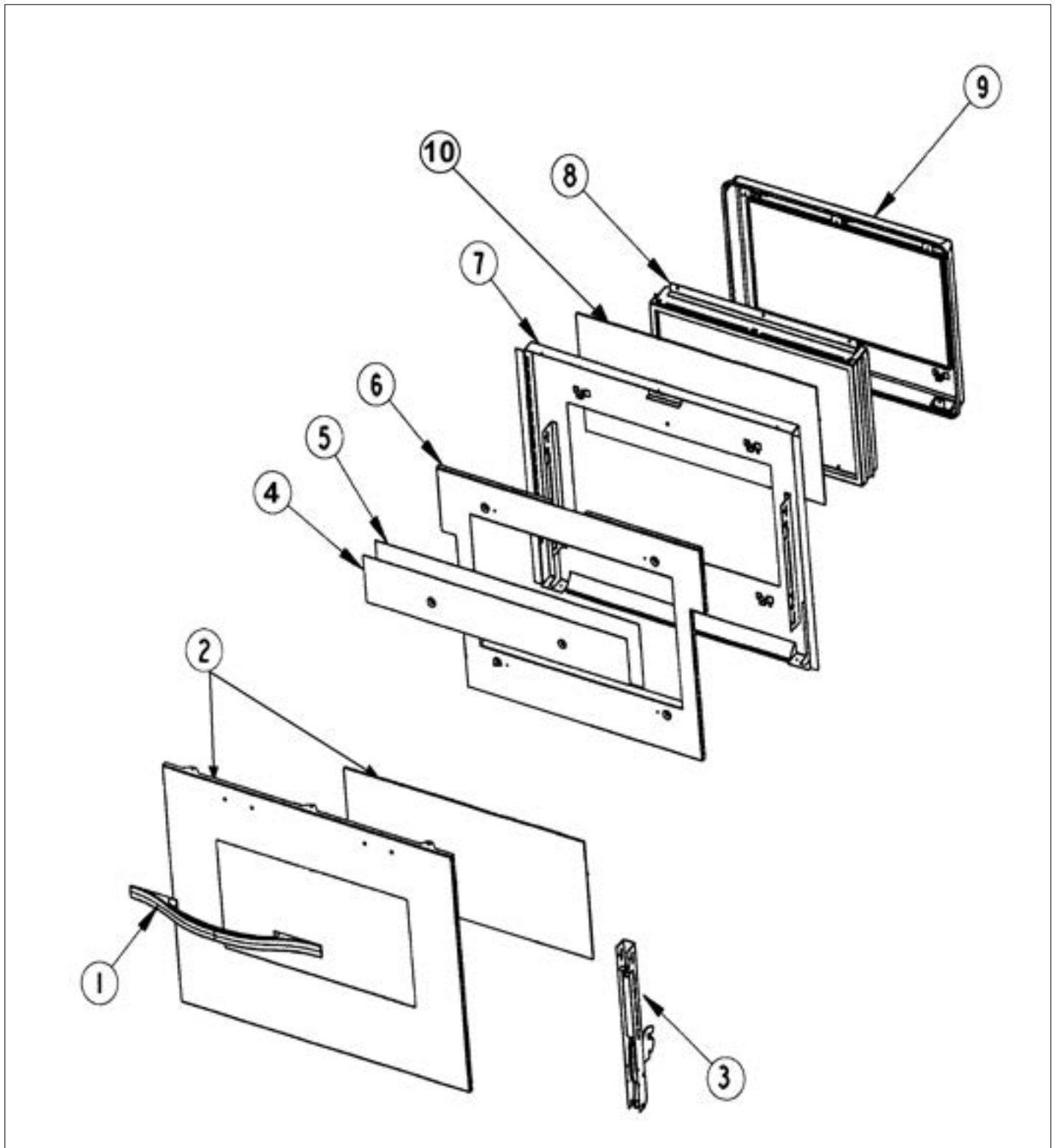


Item	Part No.	Name	Qty	Uom	NOTES
1	PB020117	DESIGNER OVEN VENT	1	EA	NO LONGER AVAILABLE
2	A2006183	AIR GUIDE	1	EA	NO LONGER AVAILABLE, Not available online / Call for pricing and availability
3	PE050087	BLOWER ASSEMBLY - DESIGNER SERIES	1	EA	
4	A2006048	FAN MOUNTING BRACKET	1	EA	NO LONGER AVAILABLE, Not available online / Call for pricing and availability
5	A2006324	VENT SIDE LH	1	EA	NO LONGER AVAILABLE, Not available online / Call for pricing and availability
6	A2006181	DOUBLE OVEN FLUE	1	EA	NO LONGER AVAILABLE, Not available online / Call for pricing and availability
7	A2006180	DOUBLE OVEN FLUE COVER	1	EA	NO LONGER AVAILABLE, Not available online / Call for pricing and availability
8	A2006107	LOWER REAR COVER 30 (DEDO200)	1	EA	NO LONGER AVAILABLE
9	A2006182	AIR SCOOP	1	EA	NO LONGER AVAILABLE
10	A1006179	DOUBLE VENT COVER PLATE	1	EA	NO LONGER AVAILABLE, Not available online / Call for pricing and availability
11	A2006199	LOWER AIR VENT	1	EA	NO LONGER AVAILABLE, Not available online / Call for pricing and availability
12	A2006322	LOWER VENT SIDE RH	1	EA	NO LONGER AVAILABLE, Not available online / Call for pricing and availability



Item	Part No.	Name	Qty	Uom	NOTES
13	A1006178	LOWER VENT COVER PLATE	1	EA	NO LONGER AVAILABLE, Not available online / Call for pricing and availability
14	A2006321	LOWER VENT SIDE RH	1	EA	NO LONGER AVAILABLE, Not available online / Call for pricing and availability
15	PJ030002	AUTO RESET (SELF-CLEAN) VDSC	1	EA	
16	A2006187	AUTO RESET BRACKET	1	EA	NO LONGER AVAILABLE, Not available online / Call for pricing and availability
17	A2006323	VENT SIDE RH	1	EA	NO LONGER AVAILABLE, Not available online / Call for pricing and availability

UPPER DOOR ASSY





Item	Part No.	Name	Qty	Uom	NOTES
1	PE030167	30" DOOR HANDLE	1	EA	
Not Shown	PE030089PVD	DOOR HANDLE 30" *BR* PVD	1	EA	NO LONGER AVAILABLE
2	N/A*	O/S DOOR PANEL ASSY (BEFORE 2/15/02)	1	EA	
Not Shown	G5008435BK	O/S DOOR PANEL ASSY - BK (AFTER 2/15/02)	1	EA	Not available online / Call for pricing and availability
Not Shown	G5008435BT	O/S DOOR PANEL ASSY - BT (AFTER 2/15/02)	1	EA	Not available online / Call for pricing and availability
Not Shown	G5008435GG	O/S DOOR PANEL ASSY - GG (AFTER 2/15/02)	1	EA	Not available online / Call for pricing and availability
Not Shown	G5008435SG	O/S DOOR PANEL ASSY - SG (AFTER 2/15/02)	1	EA	Not available online / Call for pricing and availability
Not Shown	G5008435SS	O/S DOOR PANEL ASSY - SS (AFTER 2/15/02)	1	EA	Not available online / Call for pricing and availability
Not Shown	G5008435WH	O/S DOOR PANEL ASSY - WH (AFTER 2/15/02)	1	EA	Not available online / Call for pricing and availability
3	N/A*	DOOR HINGE (BEFORE 2/15/02)	1	EA	
PC020139	006072-000	HINGE, DOOR, ASM, MANSFIELD, DES, GREEN SPRING	1	EA	
<p>Comments for Part Num. 006072-000</p> <p>bradleysapplianceservice@shaw.ca on Sep 13, 2017</p> <p>SUBS TO: 006072-000 OVEN DOOR HINGE - GREEN SPRING</p>					
4	A1006196	OUTER DOOR HEAT SHIELD 30	1	EA	Not available online / Call for pricing and availability
5	A1006195	INNER DOOR HEAT SHIELD 30	1	EA	
6	A2006016	30 INCH DESIGNER DOOR INSULATION	1	EA	Not available online / Call for pricing and availability

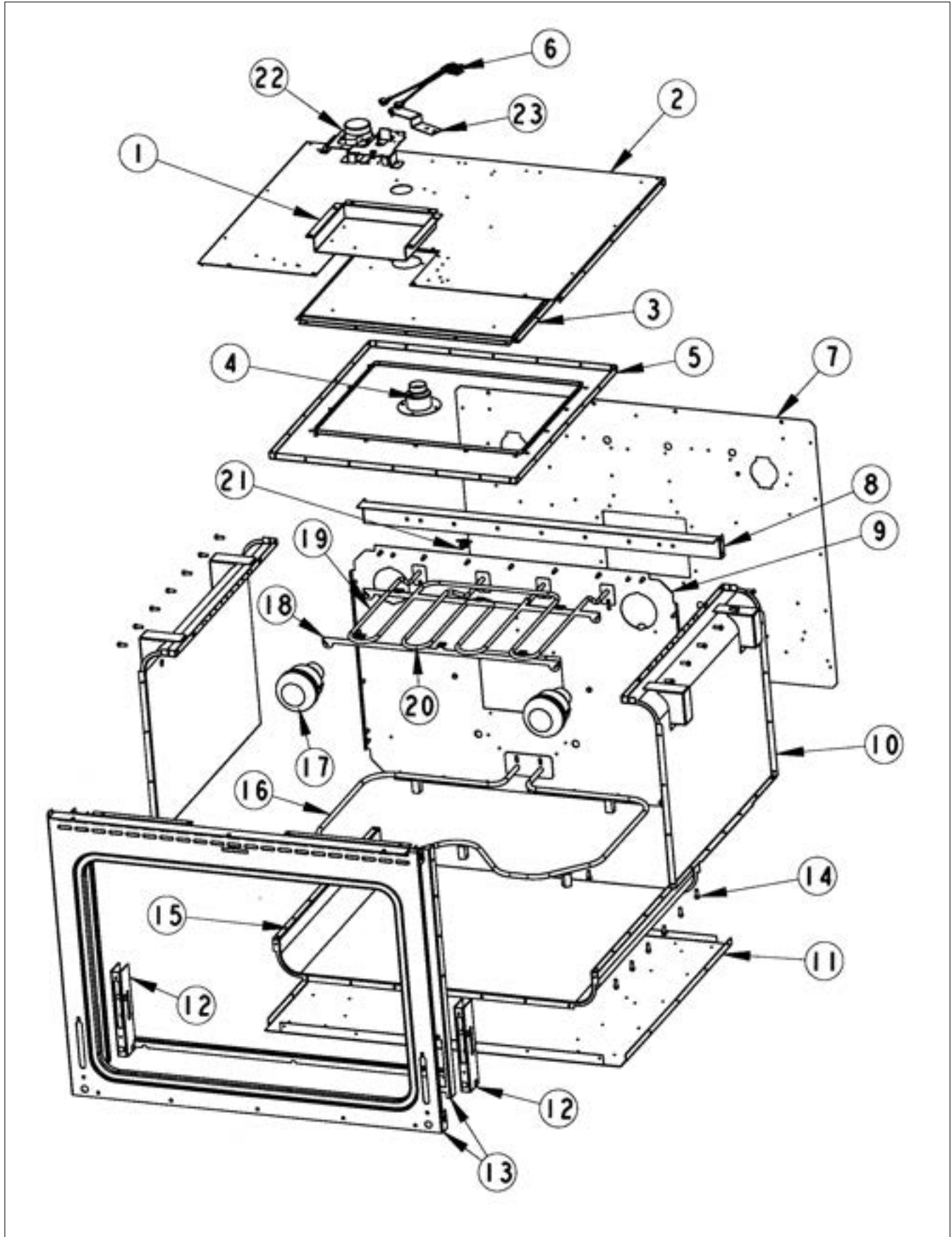


Item	Part No.	Name	Qty	Uom	NOTES
7	N/A*	DOOR LINER ASSEMBLY (BEFORE 2/15/02)	1	EA	
Not Shown	H9107910	DOOR LINER ASSEMBLY (AFTER 2/15/02)	1	EA	Not available online / Call for pricing and availability
8	G3206151	30 INCH DESIGNER GLASS PACK ASSY	1	EA	
9	H9106017	DOOR PLUG ASSEMBLY	1	EA	Not available online / Call for pricing and availability
10	PE060057	30" GLASS PACK GLASS H.T.	1	EA	
NI	PB070093	BOARD INSULATION 30"	1	EA	
NI	N/A*	COMPLETE DOOR ASSY (BEFORE 2/15/02)	1	EA	
Not Shown	G3207439BK	COMPLETE DOOR ASSY - BK (AFTER 2/15/02)	1	EA	Not available online / Call for pricing and availability
Not Shown	G3207439BKBR	COMPLETE DOOR ASSY - BKBR (AFTER 2/15/02)	1	EA	Not available online / Call for pricing and availability
Not Shown	G3207439BT	COMPLETE DOOR ASSY - BT (AFTER 2/15/02)	1	EA	Not available online / Call for pricing and availability
Not Shown	G3207439BTBR	COMPLETE DOOR ASSY - BTBR (AFTER 2/15/02)	1	EA	Not available online / Call for pricing and availability
Not Shown	G3207439GG	COMPLETE DOOR ASSY - GG (AFTER 2/15/02)	1	EA	Not available online / Call for pricing and availability
Not Shown	G3207439GGBR	COMPLETE DOOR ASSY - GGBR (AFTER 2/15/02)	1	EA	Not available online / Call for pricing and availability
Not Shown	G3207439SG	COMPLETE DOOR ASSY - SG (AFTER 2/15/02)	1	EA	Not available online / Call for pricing and availability
Not Shown	G3207439SGBR	COMPLETE DOOR ASSY - SGBR (AFTER 2/15/02)	1	EA	Not available online / Call for pricing and availability



Item	Part No.	Name	Qty	Uom	NOTES
Not Shown	G3207439SS	COMPLETE DOOR ASSY - SS (AFTER 2/15/02)	1	EA	Not available online / Call for pricing and availability
Not Shown	G3207439SSBR	COMPLETE DOOR ASSY - SSBR (AFTER 2/15/02)	1	EA	Not available online / Call for pricing and availability
Not Shown	G3207439WH	COMPLETE DOOR ASSY - WH (AFTER 2/15/02)	1	EA	Not available online / Call for pricing and availability
Not Shown	G3207439WHBR	COMPLETE DOOR ASSY - WHBR (AFTER 2/15/02)	1	EA	Not available online / Call for pricing and availability
NI	PD020032	SRW-8(A)X3/8"PH.WFR HD 7/16DIA*NICL	1	EA	
NI	B1007913	HINGE CLIP (DESIGNER TIME PIECE)	1	EA	

UPPER OVEN ASSY





Item	Part No.	Name	Qty	Uom	NOTES
1	A2002168	DOOR LATCH BRKT (VDSC)	1	EA	
2	NOT REPLACABLE	TOP INSULATION RETAINER	1	EA	
3	B2002167	BROILER TOP (VDSC)	1	EA	NO LONGER AVAILABLE
4	PM010014	SMOKE ELIMINATOR (VDSC)	1	EA	
5	E9102153	OVEN TOP (VDSC)	1	EA	NO LONGER AVAILABLE
6	PE050059	HI-LIMIT SWITCH	1	EA	
7	NOT REPLACABLE	BACK INSULATION RETAINER	1	EA	
8	A2002158	REAR OVEN SUPT (VDSC)	1	EA	NO LONGER AVAILABLE, Not available online / Call for pricing and availability
9	NOT REPLACABLE	OVEN BACK	1	EA	
10	NOT REPLACABLE	OVEN SIDE ASSEMBLY	1	EA	
11	NOT REPLACABLE	BOTTOM INSULATION RETAINER	1	EA	
12	PC020016	HINGE RECEIVER (VEDO/VEDO)	1	EA	
13	H9106118	30 INCH DESIGNER F.F. ASSEMBLY	1	EA	NO LONGER AVAILABLE
14	PD020060	10 X 1/2" (5/16)HEX WSHER HD.(T)A	1	EA	
15	NOT REPLACABLE	OVEN BOTTOM ASSEMBLY	1	EA	
16	PJ010004	BAKE ELEMENT (VDSC) 240V	1	EA	
17	031449-000	LAMP, ASM	1	EA	
18	B2002185	BROIL ELEMENT BRKT (VDSC)	1	EA	
19	PJ010002	BROIL ELEMENT(MAXI)-SIDE (VDSC)240V	1	EA	
20	PJ010001	BROIL ELEMENT 240V	1	EA	
21	PJ030006	SWITCH (COOLING FAN)	1	EA	
22	PE050053	DR LATCH REPL PE050020	1	EA	
<p>Comments for Part Num. PE050053</p> <p>profixappliances@gmail.com on Oct 8, 2019</p> <p>UNIT DEDO200SS, 121203C0000000562 - USES SELF CLEAN LATCH PE050112 WITH HOOK POINTED "DOWN"</p>					
23	A2006102	UPPER VENT BRACKET	1	EA	



Appendix A:Pages Index

CONTROL PANEL 1
CONVECTION FAN ASSY 2
FUNCTIONAL PARTS 3
LOWER DOOR ASSY 4
LOWER OVEN ASSY 5
REAR PANEL ASSY 6
UPPER DOOR ASSY 7
UPPER OVEN ASSY 8



Appendix B:Parts Index

006072-000	4, 7	A2006322	6
031449-000	5, 8	A2006323	6
A1002456	1	A2006324	6
A1002596	2	A2006327	5
A1006089	5	A2008467	2
A1006103	5	B1007913	4, 7
A1006178	6	B2002167	5, 8
A1006179	6	B2002185	5, 8
A1006195	4, 7	B2006193	2
A1006196	4, 7	B2006194	2
A2001361	2	B9206138	1
A2001746	2	B9207962	1
A2002158	5, 8	C9206138BK	1
A2002168	5, 8	C9206138BT	1
A2002595	2	C9206138GG	1
A2002904	2	C9206138SG	1
A2006016	4, 7	C9206138WH	1
A2006048	6	C9207962BK	1
A2006088	5	C9207962BT	1
A2006098	1	C9207962GG	1
A2006099	1	C9207962SG	1
A2006100	1	C9207962WH	1
A2006101	1	E9102153	5, 8
A2006102	5, 8	E9102170	2
A2006107	6	E9106134	1
A2006108	1	G3006124	2
A2006109	1	G3206151	4, 7
A2006122	1	G3207439BK	7
A2006123	1	G3207439BKBR	7
A2006142	1	G3207439BT	7
A2006144	1	G3207439BTBR	7
A2006180	6	G3207439GG	7
A2006181	6	G3207439GGBR	7
A2006182	6	G3207439SG	7
A2006183	6	G3207439SGBR	7
A2006184	1	G3207439SS	7
A2006186	1	G3207439SSBR	7
A2006187	6	G3207439WH	7
A2006199	6	G3207439WHBR	7
A2006321	6	G3207969BK	4
		G3207969BKBR	4



G3207969BT	4	PB010204PVD	1
G3207969BTBR	4	PB010217	1
G3207969GG	4	PB010217PVD	1
G3207969GGBR	4	PB020117	6
G3207969SG	4	PB060030	2
G3207969SGBR	4	PB060044	2
G3207969SS	4	PB070093	4, 7
G3207969SSBR	4	PC020016	5, 8
G3207969WH	4	PD020032	4, 7
G3207969WHBR	4	PD020060	8
G4008423	1	PD030033	1
G5008294BK	4	PD040005	1, 5
G5008294BT	4	PE030089PVD	4, 7
G5008294GG	4	PE030167	4, 7
G5008294SG	4	PE050005	2, 3
G5008294SS	4	PE050049	1, 3
G5008294WH	4	PE050053	3, 5, 8
G5008435BK	7	PE050059	3, 5, 8
G5008435BT	7	PE050073	1
G5008435GG	7	PE050087	3, 6
G5008435SG	7	PE060057	4, 7
G5008435SS	7	PE070147	1, 3
G5008435WH	7	PE070148	1, 3
G9102736	5	PJ010001	3, 5, 8
H9106017	4, 7	PJ010002	3, 5, 8
H9106117	5	PJ010003	2, 3
H9106118	8	PJ010004	3, 5, 8
H9107910	4, 7	PJ030001	1, 3
PA010091PVD	1	PJ030002	1, 3, 6
PA010092PVD	1	PJ030003	1, 3
PA010093	1	PJ030006	3, 5, 8
PA010093PVD	1	PJ030010	1, 3
PA010095	1	PJ030012	1, 3
PA010095PVD	1	PJ030025	1, 3
PA010110	1	PM010014	5, 8
PA010194	1	PM010029	1, 1, 3, 3
PB010196	1		
PB010196PVD	1		
PB010198	1		
PB010198PVD	1		
PB010204	1		