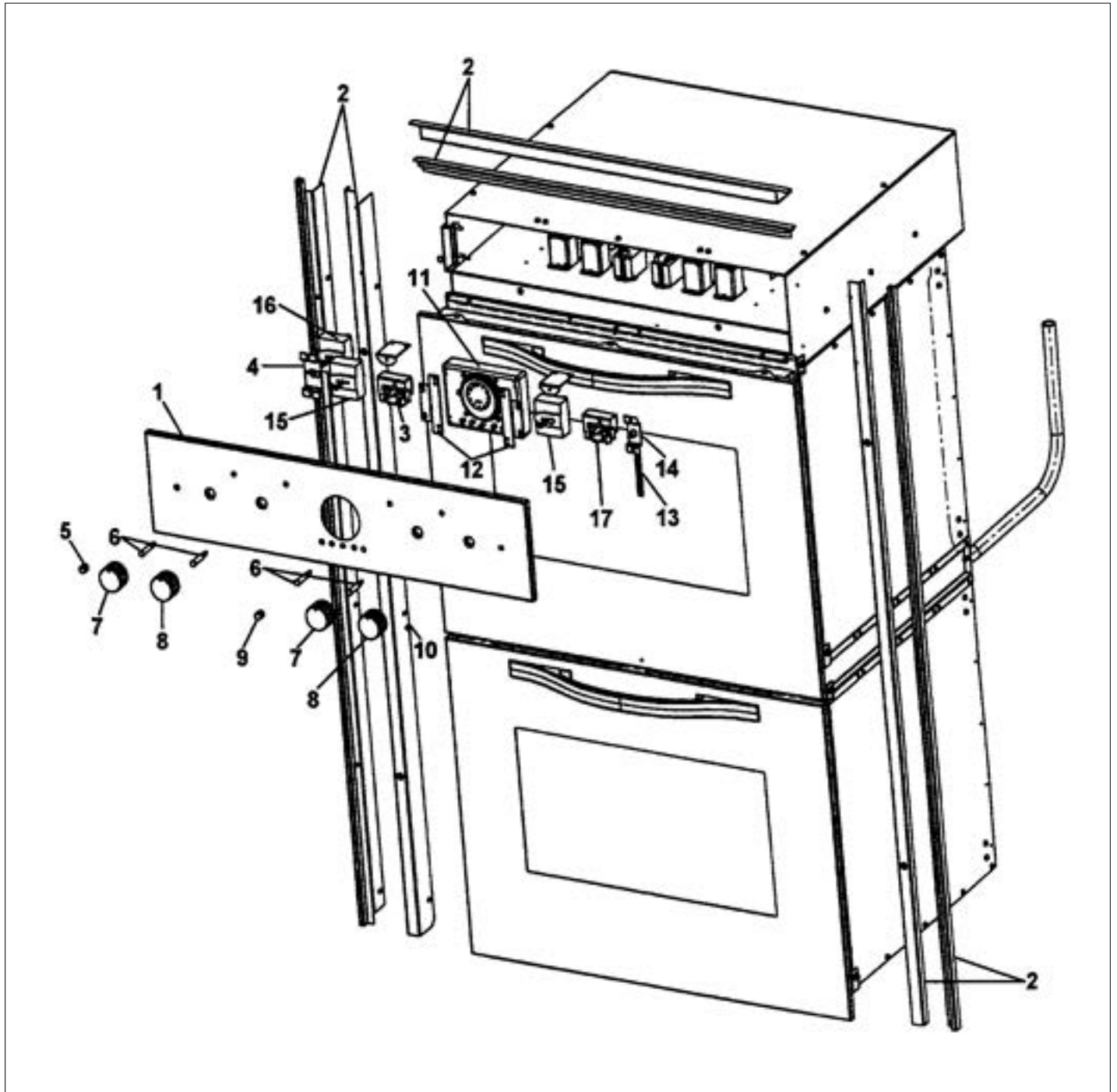


**CDEDO205**

|                              |   |
|------------------------------|---|
| CONTROL ASSEMBLY .....       | 1 |
| FUNCTIONAL PARTS .....       | 2 |
| LOWER DOOR .....             | 3 |
| LOWER OVEN .....             | 4 |
| REAR PANEL .....             | 5 |
| UPPER CABINET .....          | 6 |
| UPPER DOOR .....             | 7 |
| UPPER OVEN .....             | 8 |
| Appendix A:Pages Index ..... | A |
| Appendix B:Parts Index ..... | B |

# CONTROL ASSEMBLY





| Item   | Part No.   | Name   | Qty | Uom | NOTES   |
|--|------------|--|-----|-----|---|
| 1  | B9207253   | CONTROL PANEL 30 DBL<br>(DEDO205)                  | 1   | EA  |   |
| Not Shown  | C9207253BK | CTRL PAN DEDO205 *BK* SLK.<br>SC.                  | 1   | EA  | NO LONGER AVAILABLE   |
| Not Shown  | C9207253BT | CTRL PAN DEDO205 *BT* SLK.<br>SC.                  | 1   | EA  | NO LONGER AVAILABLE   |
| Not Shown  | C9207253GG | CTRL PAN DEDO205 *GG* SLK.<br>SC.                  | 1   | EA  | NO LONGER AVAILABLE   |
| Not Shown  | C9207253SG | CTRL PAN DEDO205 *SG* SLK.<br>SC.                  | 1   | EA  | Not available online / Call for pricing and availability                      |
| Not Shown  | C9207253WH | CTRL PAN DEDO205 *WH* SLK.<br>SC.                  | 1   | EA  | NO LONGER AVAILABLE, Not available online / Call for pricing and availability |
| 2  | G3007285   | DEDO200/205 TRIM ASSY                              | 1   | EA  |   |
| Not Shown  | G9007611BK | SUB TO G90012654BK -<br>DEDO200/205 TRIM ASSY *BK* | 1   | EA  | NO LONGER AVAILABLE   |
| Not Shown  | G9007611BT | SUB TO G90012654BT -<br>DEDO200/205 TRIM ASSY *BT* | 1   | EA  | NO LONGER AVAILABLE, Not available online / Call for pricing and availability |
| Not Shown  | G9007611GG | TRIM ASSEMBLY - GG                                 | 1   | EA  | Not available online / Call for pricing and availability                      |
| Not Shown  | G9007611SG | SUB TO G90012654SG -<br>DEDO200/205 TRIM ASSY *SG* | 1   | EA  | NO LONGER AVAILABLE, Not available online / Call for pricing and availability |
| Not Shown  | G9007611WH | SUB TO G90012654WH -<br>DEDO200/205 TRIM ASSY *WH* | 1   | EA  | NO LONGER AVAILABLE   |
| 3  | PJ030012   | THERMOSTAT (SELF-CLEAN)<br>VESO/VEDO               | 1   | EA  | See Bulletin 2005-03  |
| <p>Comments for Part Num. PJ030012</p> <p>boltz on Nov 21, 2017<br/>See Bulletin 2005-03</p> |            |  |     |     |   |
| 4  | A2006100   | THREE POSITION SELECTOR<br>BRKT                    | 1   | EA  |   |
| 5  | PA010110   | DESIGNER OVEN SELECTOR<br>KNOB REPL PA010092       | 1   | EA  |   |



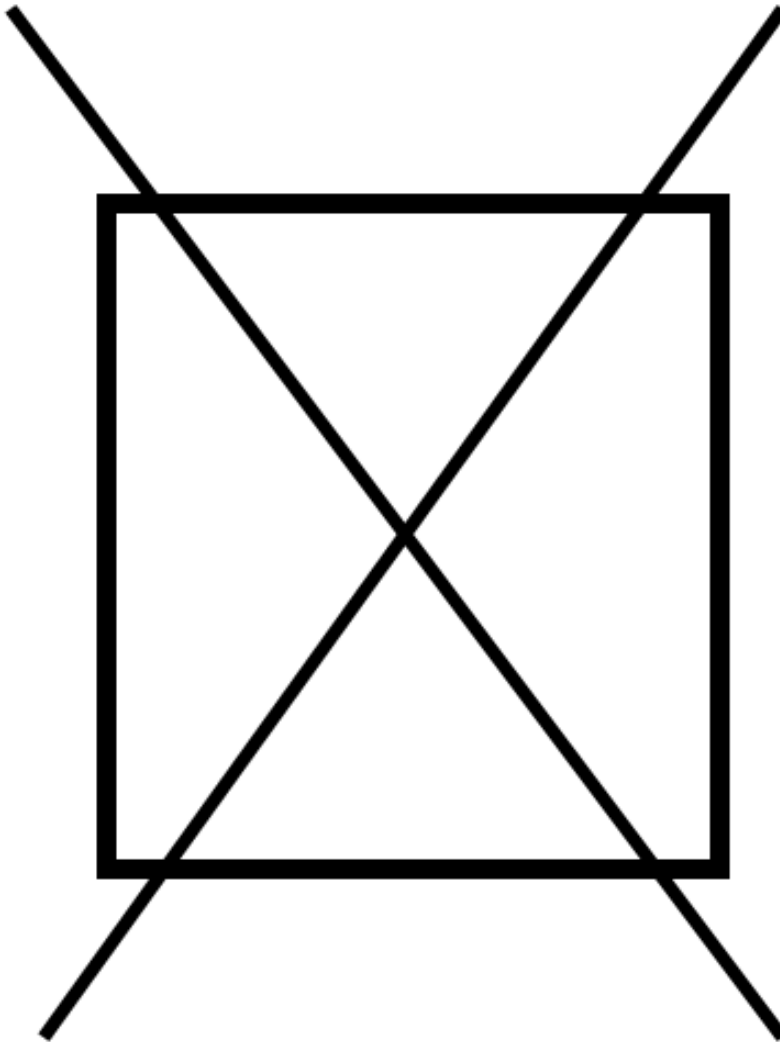
| Item      | Part No.    | Name                                | Qty | Uom | NOTES   |
|-----------|-------------|-------------------------------------|-----|-----|---|
| Not Shown | PA010110PVD | DESIGNER OVEN SELECTOR KNOB-BRASS   | 1   | EA  | NO LONGER AVAILABLE   |
| 6         | PE050073    | DESIGNER INDICATOR LT               | 1   | EA  |   |
| 7         | PA010194    | DES. SELECTOR/THERMOSTAT KNOB       | 1   | EA  |   |
| Not Shown | PA010091PVD | DESIGNER SELECTOR KNOB - BR         | 1   | EA  |   |
| Not Shown | PA010095    | DESIGNER SELECTOR KNOB - GRAY       | 1   | EA  |   |
| Not Shown | PA010095PVD | DESIGNER SELECTOR KNOB-BR/GRAY      | 1   | EA  |   |
| 8         | PB010196    | DESIGNER THERMOSTAT KNOB            | 1   | EA  |   |
| Not Shown | PB010196PVD | DESIGNER THERMOSTAT KNOB W/BRASS    | 1   | EA  |   |
| Not Shown | PB010204    | DESIGNER THERMOSTAT KNOB - GRAY     | 1   | EA  |   |
| Not Shown | PB010204PVD | DESIGNER THERMOSTAT KNOB -BR/GRAY   | 1   | EA  |   |
| 9         | PB010221    | DESIGNER BIT GEN. KNOB (NEW CLOCK)  | 1   | EA  |   |
| Not Shown | PB010221PVD | DESIGNER BIT GEN. KNOB - BRASS      | 1   | EA  | Not available online / Call for pricing and availability                      |
| 10        | PA010093    | DESIGNER OVEN LT SWITCH KNOB        | 1   | EA  |   |
| Not Shown | PA010093PVD | DESIGNER OVEN LT SWITCH KNOB-BRASS  | 1   | EA  |   |
| 11        | PE050088    | DESIGNER CLOCK                      | 1   | EA  |   |
| 12        | A2007255    | CLOCK MOUNTING BRACKET              | 1   | EA  | NO LONGER AVAILABLE, Not available online / Call for pricing and availability |
| 13        | G4008423    | DESIGNER OVEN LIGHT SWITCH ASSY     | 1   | EA  |   |
| 14        | A2006101    | OVEN LIGHT SWITCH BRACKET           | 1   | EA  |   |
| 15        | PJ030001    | SELECTOR SWITCH (8-POSITION) VDSC   | 1   | EA  | NO LONGER AVAILABLE   |
| 16        | PJ030010    | SELECTOR SWITCH (3-POSITION)VEDO205 | 1   | EA  |   |



| Item   | Part No. | Name                             | Qty | Uom | NOTES                  |
|--|----------|----------------------------------|-----|-----|------------------------|
| 17   | PJ030003 | THERMOSTAT (SELF CLEAN)<br>VDSC  | 1   | EA  |                        |
| <p>Comments for Part Num. PJ030003</p> <p>boltz on Nov 21, 2017<br/>See Bulletin 2005-03<br/>Reply by steves@bendbroadband.com on Apr 10, 2018<br/>what bulletin? bulletin should linked here.<br/>Reply by bradleysapplianceservice@shaw.ca on Sep 27, 2018<br/>If you have access to Documoto then all you have to do is either run the part number PJ030003 or service bulletin number 2005-03AS in the main search field and all your answer will be there. It's Simple.</p> |          |                                  |     |     |                        |
| NI   | H9107912 | 30"" CONTROL MNTG. PANEL<br>ASSY | 1   | EA  | NO LONGER<br>AVAILABLE |

## FUNCTIONAL PARTS

NON  
ILLUSTRATED PART



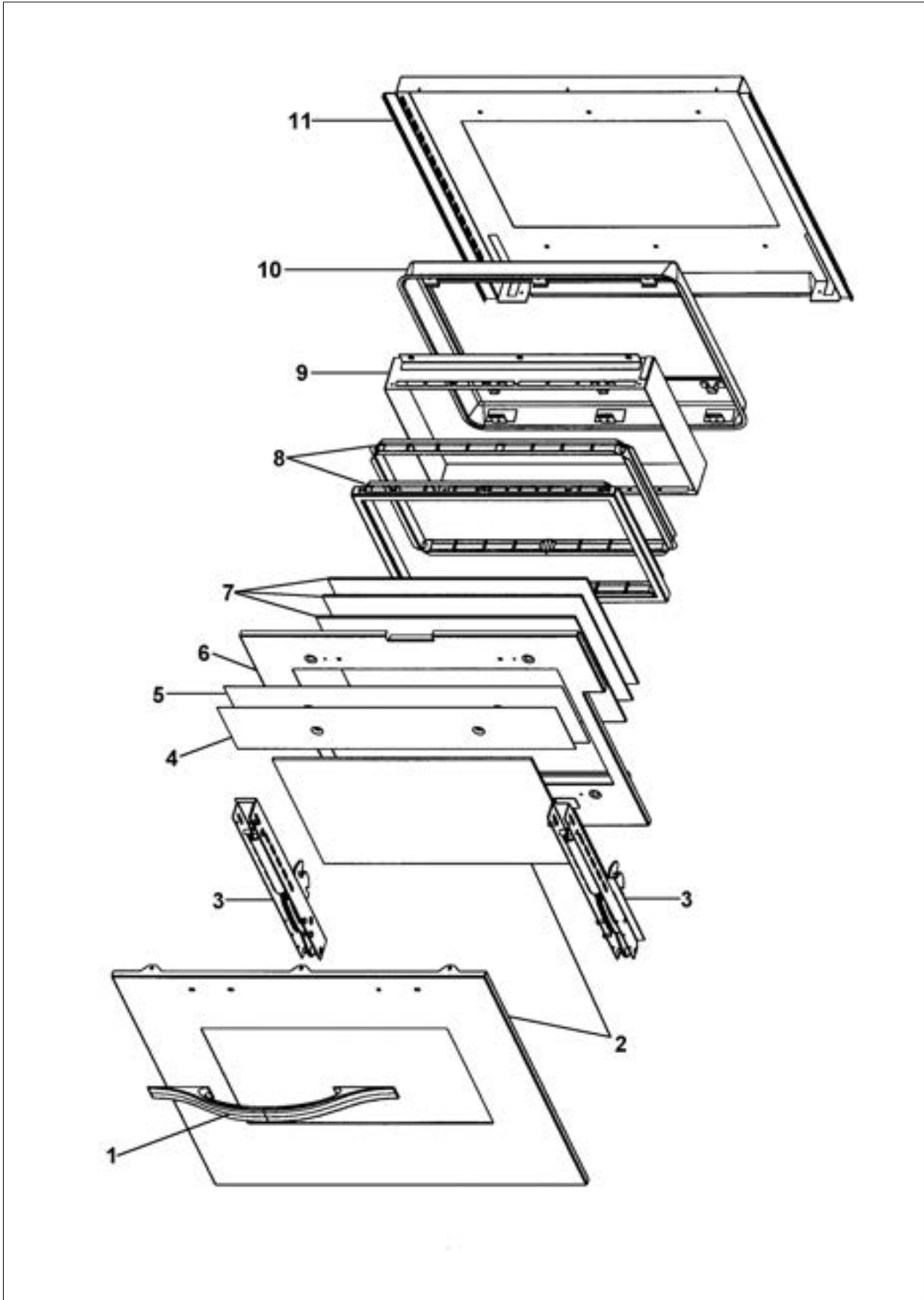
| Item   | Part No. | Name   | Qty | Uom | NOTES               |
|--|----------|--|-----|-----|---------------------|
| 1  | PJ030010 | SELECTOR SWITCH (3-POSITION)VEDO205                  | 1   | EA  |                     |
| 2  | PJ030001 | SELECTOR SWITCH (8-POSITION) VDSC                    | 1   | EA  | NO LONGER AVAILABLE |
| 3  | PJ030002 | AUTO RESET (SELF-CLEAN) VDSC                         | 1   | EA  |                     |
| 4  | PJ010012 | BAKE ELEMENT (VESO176/VEDO276)240V                   | 1   | EA  |                     |
| 5  | PE050087 | BLOWER ASSEMBLY - DESIGNER SERIES                    | 1   | EA  |                     |
| 6  | PE050088 | DESIGNER CLOCK                                       | 1   | EA  |                     |
| 7  | G3207273 | CONCEALED BROIL ELEMENT ASSY (DEDO)                  | 1   | EA  |                     |
| 8  | PJ010003 | CONVECTION ELEMENT (VDSC) 240V                       | 1   | EA  | NO LONGER AVAILABLE |
| 9  | PE050005 | CONVECTION FAN ASSY                                  | 1   | EA  |                     |
| 10   | PE050112 | DOOR LATCH   | 1   | EA  |                     |
| 11   | PJ030006 | SWITCH (COOLING FAN)                                 | 1   | EA  |                     |
| 12   | PE050059 | HI-LIMIT SWITCH                                      | 1   | EA  |                     |
| 13   | PE050073 | DESIGNER INDICATOR LT                                | 1   | EA  |                     |
| 14   | PE050114 | MEAT PROBE (DESO/DEDO) (SWITCHCRAFT'S PART # 4C7919) | 1   | EA  |                     |
| 15   | PE050115 | MEAT PROBE JACK (SWITCHCRAFT'S PART# 3J1505)         | 1   | EA  |                     |
| <p>Comments for Part Num. PE050115</p> <p>bradleysapplianceservice@shaw.ca on May 8, 2017<br/>                     Meat probe is not illustrated on Parts Break Down.<br/>                     PE050114 MEAT PROBE</p> |          |  |     |     |                     |
| 16   | PE050056 | OVEN LIGHT ASSY 12V/5W                               | 1   | EA  |                     |
| 17   | G4008423 | DESIGNER OVEN LIGHT SWITCH ASSY                      | 1   | EA  |                     |
| 18   | PE070308 | PRE-HEAT BOARD                                       | 1   | EA  |                     |
| 19   | PM010129 | RELAY  | 1   | EA  |                     |
| 20   | PM010029 | RELAY (DOUBLE POLE-DOUBLE THROW)TEM                  | 1   | EA  |                     |
| 21   | PE070148 | SELF-CLEAN BOARD/TIMER (VDSC)                        | 1   | EA  |                     |





| Item   | Part No. | Name  | Qty | Uom | NOTES                   |
|--|----------|---|-----|-----|-------------------------|
| 22   | PM010014 | SMOKE ELIMINATOR (VDSC)                         | 1   | EA  |                         |
| 23   | PE070147 | TERMINAL BLOCK (VDSC)                           | 1   | EA  |                         |
| 24   | PJ030003 | THERMOSTAT (SELF CLEAN)<br>VDSC                 | 1   | EA  |                         |
| <p>Comments for Part Num. PJ030003</p> <p>boltz on Nov 21, 2017<br/>See Bulletin 2005-03<br/>Reply by steves@bendbroadband.com on Apr 10, 2018<br/>what bulletin? bulletin should linked here.<br/>Reply by bradleysapplianceservice@shaw.ca on Sep 27, 2018<br/>If you have access to Documoto then all you have to do is either run the part number PJ030003 or service bulletin number 2005-03AS in the main search field and all your answer will be there. It's Simple.</p> |          |   |     |     |                         |
| 25   | PJ030012 | THERMOSTAT (SELF-CLEAN)<br>VESO/VEDO            | 1   | EA  | See Bulletin<br>2005-03 |
| <p>Comments for Part Num. PJ030012</p> <p>boltz on Nov 21, 2017<br/>See Bulletin 2005-03</p>   |          |   |     |     |                         |
| 26   | PE070468 | TRANSFORMER HALOGEN<br>LIGHTS REPLACES PE070222 | 1   | EA  | NO LONGER<br>AVAILABLE  |

LOWER DOOR





| Item   | Part No.    | Name   | Qty | Uom | NOTES   |
|--|-------------|--|-----|-----|---|
| 1  | PE030167    | 30" DOOR HANDLE                                | 1   | EA  |   |
| Not Shown  | PE030089PVD | DOOR HANDLE 30" *BR* PVD                       | 1   | EA  | NO LONGER AVAILABLE   |
| 2  | G5008294BK  | O/S DOOR SKIN ASSEMBLY (DESIGN)                | 1   | EA  |   |
| Not Shown  | G5008294BT  | O/S DOOR SKIN ASSEMBLY (DESIGN)                | 1   | EA  | NO LONGER AVAILABLE   |
| Not Shown  | G5008294GG  | O/S DOOR SKIN ASSEMBLY (DESIGN)                | 1   | EA  | NO LONGER AVAILABLE   |
| Not Shown  | G5008294SG  | O/S DOOR SKIN ASSEMBLY (DESIGN)                | 1   | EA  | Not available online / Call for pricing and availability                      |
| Not Shown  | G5008294SS  | O/S DOOR SKIN ASSEMBLY (DESIGN)                | 1   | EA  | NO LONGER AVAILABLE   |
| Not Shown  | G5008294WH  | O/S DOOR SKIN ASSEMBLY (DESIGN)                | 1   | EA  | NO LONGER AVAILABLE, Not available online / Call for pricing and availability |
| 3  | 006072-000  | HINGE, DOOR, ASM, MANSFIELD, DES, GREEN SPRING | 1   | EA  |   |
| <p>Comments for Part Num. 006072-000</p> <p>bradleysapplianceservice@shaw.ca on Sep 13, 2017</p> <p>SUBS TO: 006072-000 OVEN DOOR HINGE - GREEN SPRING</p> |             |  |     |     |   |
| 4  | A1006196    | OUTER DOOR HEAT SHIELD 30                      | 1   | EA  | Not available online / Call for pricing and availability                      |
| 5  | A1006195    | INNER DOOR HEAT SHIELD 30                      | 1   | EA  |   |
| 6  | A2006016    | 30 INCH DESIGNER DOOR INSULATION               | 1   | EA  | Not available online / Call for pricing and availability                      |
| 7  | PE060057    | 30" GLASS PACK GLASS H.T.                      | 1   | EA  |   |
| 8  | H3006156    | 30 INCH GLASS PK FRAME WELD                    | 1   | EA  |   |
| 9  | H3006158    | 30 INCH GLASS PACK FRAME WELD                  | 1   | EA  |   |
| 10   | H9106017    | DOOR PLUG ASSEMBLY                             | 1   | EA  | Not available online / Call for pricing and availability                      |

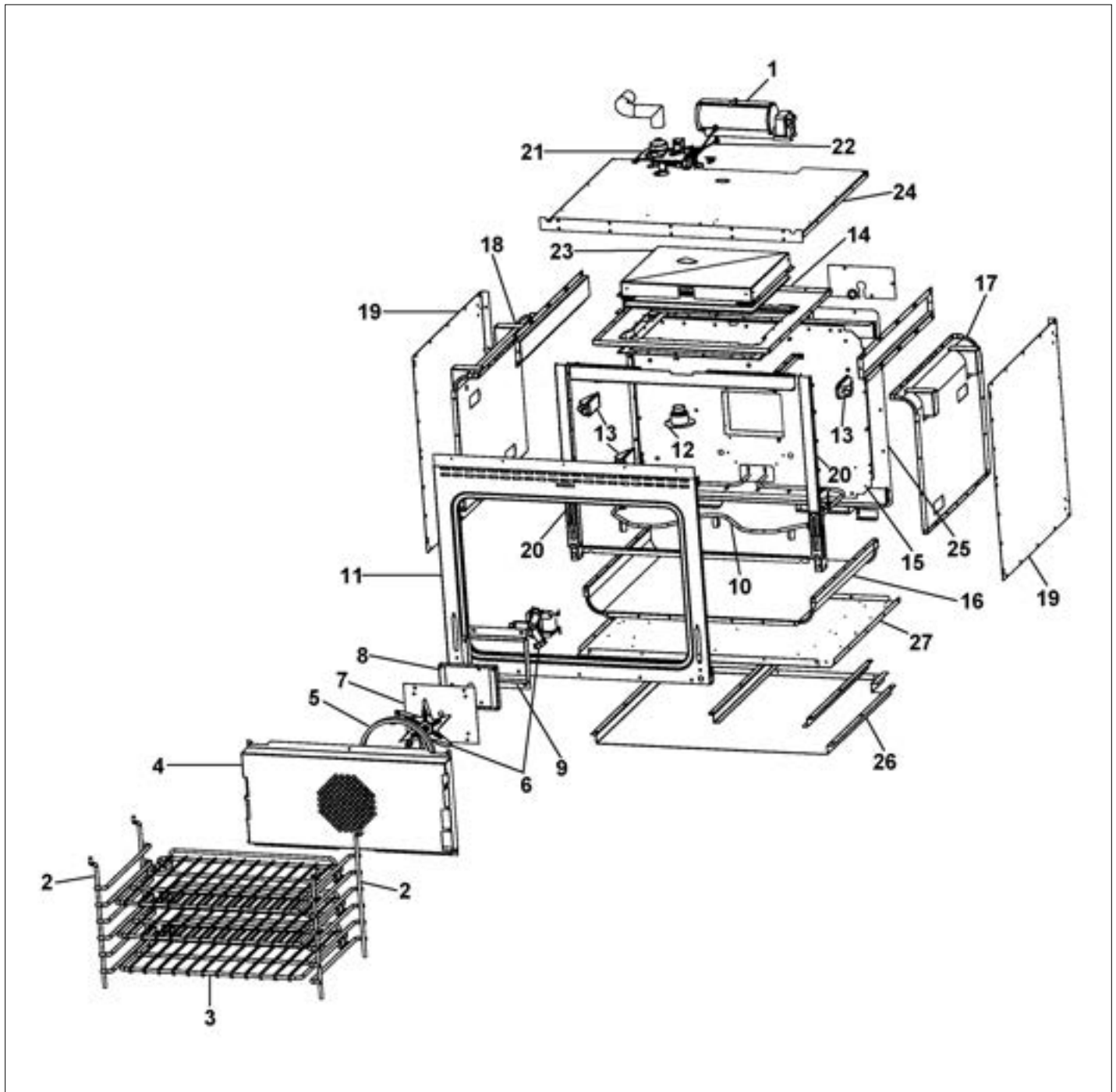


| Item           | Part No.     | Name                                   | Qty | Uom | NOTES   |
|----------------|--------------|--|-----|-----|---|
| 11             | H9107910     | DOOR LINER ASSEMBLY<br>(AFTER 2/15/02) | 1   | EA  | Not available<br>online / Call for<br>pricing and<br>availability                         |
| NI             | 000623-000   | DOOR GASKET(3/8"DIA.)<br>(VDSC)        | 1   | EA  |   |
| NI             | PB070093     | BOARD INSULATION 30"                   | 1   | EA  |   |
| NI             | PB070094     | 1/4" FIBERGLASS ROPE                   | 1   | EA  |   |
| NI             | PD020032     | SRW-8(A)X3/8"PH.WFR HD<br>7/16DIA*NICL | 1   | EA  |   |
| NI             | B1007913     | HINGE CLIP (DESIGNER TIME<br>PIECE)    | 1   | EA  |   |
| NI             | G3207277BK   | LOWER DR ASSY *BK*<br>(DEDO205)        | 1   | EA  | NO LONGER<br>AVAILABLE  |
| Not<br>Shown   | G3207277BKBR | LOWER DR ASSY<br>*BK*BR*(DEDO205)      | 1   | EA  | NO LONGER<br>AVAILABLE, Not<br>available online /<br>Call for pricing<br>and availability |
| Not<br>Shown   | G3207277BT   | LOWER DR ASSY *BT*<br>(DEDO205)        | 1   | EA  | NO LONGER<br>AVAILABLE, Not<br>available online /<br>Call for pricing<br>and availability |
| Not<br>Shown   | G3207277BTBR | LOWER DR ASSY<br>*BT*BR*(DEDO205)      | 1   | EA  | NO LONGER<br>AVAILABLE, Not<br>available online /<br>Call for pricing<br>and availability |
| Not<br>Shown   | G3207277GG   | LOWER DR ASSY *GG*<br>(DEDO205)        | 1   | EA  | NO LONGER<br>AVAILABLE  |
| Not<br>Shown   | G3207277GGBR | LOWER DR ASSY<br>*GG*BR*(DEDO205)      | 1   | EA  | NO LONGER<br>AVAILABLE, Not<br>available online /<br>Call for pricing<br>and availability |
| Not<br>Shown   | G3207277SG   | LOWER DR ASSY *SG*<br>(DEDO205)        | 1   | EA  | NO LONGER<br>AVAILABLE  |
| Not<br>Shown   | G3207277SGBR | LOWER DR ASSY<br>*SG*BR*(DEDO205)      | 1   | EA  |   |
| G320727<br>7SS | G3207969SS   | LOWER DR<br>ASSY*SS*(DEDO200)          | 1   | EA  |   |
| Not<br>Shown   | G3207277SSBR | LOWER DR ASSY<br>*SS*BR*(DEDO205)      | 1   | EA  | NO LONGER<br>AVAILABLE, Not<br>available online /<br>Call for pricing<br>and availability |



| Item      | Part No.     | Name                            | Qty | Uom | NOTES   |
|-----------|--------------|---------------------------------|-----|-----|---|
| Not Shown | G3207277WH   | LOWER DR ASSY *WH* (DED0205)    | 1   | EA  | NO LONGER AVAILABLE   |
| Not Shown | G3207277WHBR | LOWER DR ASSY *WH*BR* (DED0205) | 1   | EA  | NO LONGER AVAILABLE, Not available online / Call for pricing and availability |

LOWER OVEN



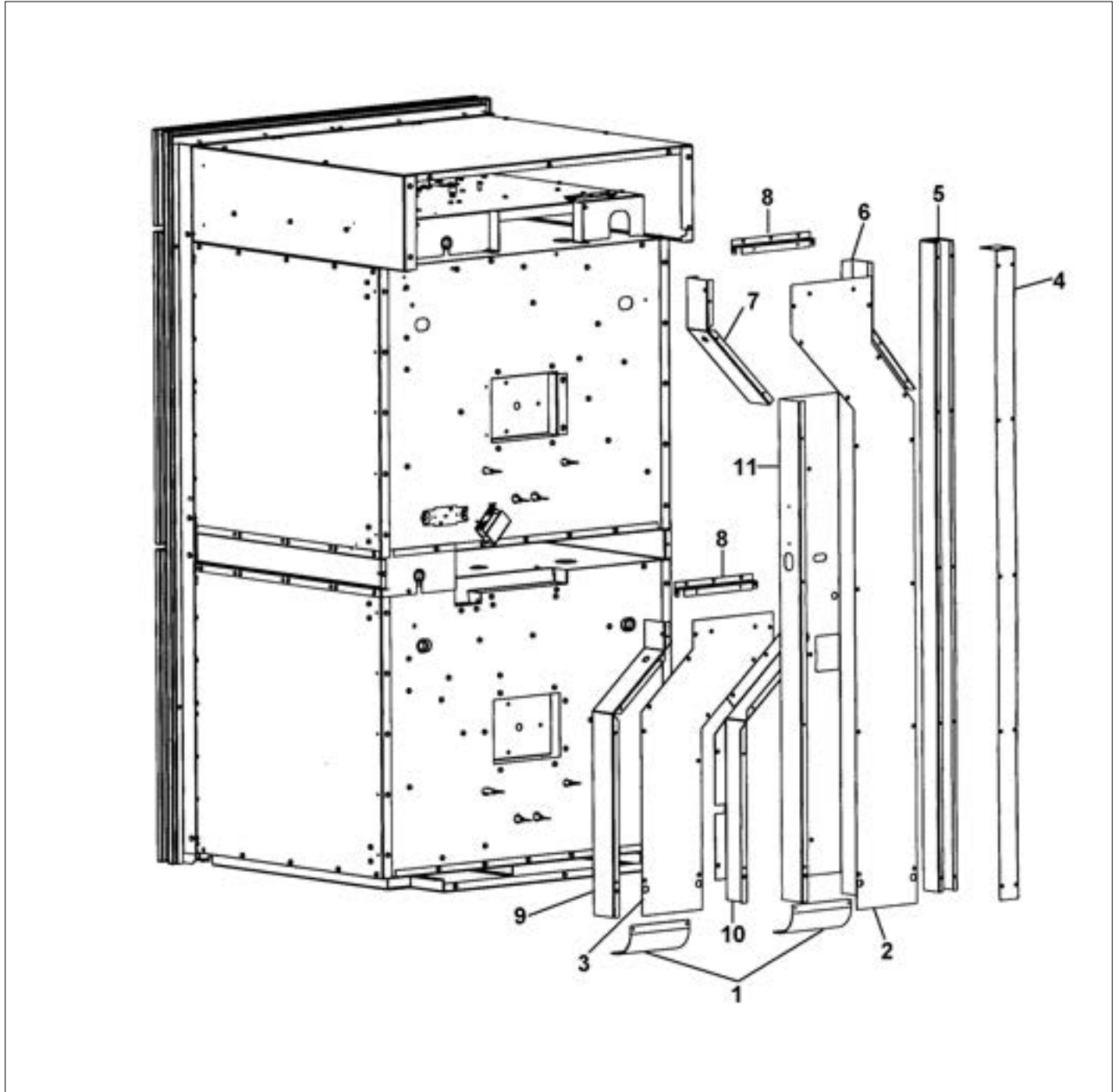


| Item | Part No.        | Name                                     | Qty | Uom | NOTES   |
|------|-----------------|--|-----|-----|---|
| 1    | PE050087        | BLOWER ASSEMBLY - DESIGNER SERIES        |     | EA  |   |
| 2    | PB060030        | RACK SUPT REPL PB060010                  |     | EA  |   |
| 3    | PB060044        | OVEN RK VDSC30/48RH REPL PB060019        |     | EA  |   |
| 4    | G9104316        | CONVECTION FAN ASSY (VESO176/DO276)      |     | EA  | Not available online / Call for pricing and availability                      |
| 5    | PJ010003        | CONVECTION ELEMENT (VDSC) 240V           |     | EA  | NO LONGER AVAILABLE   |
| 6    | PE050005        | CONVECTION FAN ASSY                      |     | EA  |   |
| 7    | A1002596        | CONVECTION FAN COVER (VDSC)              |     | EA  |   |
| 8    | A2002595        | CONVECTION FAN BOX (VDSC)                |     | EA  |   |
| 9    | A2001746        | SIDE FAN SHIELD                          |     | EA  | Not available online / Call for pricing and availability                      |
| 10   | PJ010012        | BAKE ELEMENT (VESO176/VEDO276)240V       |     | EA  |   |
| 11   | H9107467        | 30" LOWER FRONT FRAME ASSY               |     | EA  | NO LONGER AVAILABLE   |
| 12   | PM010014        | SMOKE ELIMINATOR (VDSC)                  |     | EA  |   |
| 13   | PE050056        | OVEN LIGHT ASSY 12V/5W                   |     | EA  |   |
| NI   | 062116-000      | REPLACEMENT BULB (FOR PE050056 ASSEMBLY) |     | EA  |   |
| 14   | E9107263        | OVEN TOP 30" (DEDO205)                   |     | EA  | NO LONGER AVAILABLE, Not available online / Call for pricing and availability |
| 15   | E9107264        | OVEN BACK 30" (DEDO205)                  |     | EA  | NO LONGER AVAILABLE, Not available online / Call for pricing and availability |
| 16   | Not Replaceable | Module Pan                               |     | EA  | Not available online / Call for pricing and availability                      |
| 17   | Not Replaceable | Module Pan                               |     | EA  | Not available online / Call for pricing and availability                      |

| Item | Part No.        | Name                                | Qty | Uom | NOTES   |
|------|-----------------|-------------------------------------|-----|-----|---|
| 18   | Not Replaceable | Module Pan                          |     | EA  | Not available online / Call for pricing and availability                      |
| 19   | A2002904        | SIDE INSULATION RETAINER            |     | EA  | NO LONGER AVAILABLE, Not available online / Call for pricing and availability |
| 20   | PC020016        | HINGE RECEIVER (VEDO/VEDO)          |     | EA  |   |
| 21   | PE050112        | DOOR LATCH                          |     | EA  |   |
| 22   | PE050059        | HI-LIMIT SWITCH                     |     | EA  |   |
| 23   | G3207273        | CONCEALED BROIL ELEMENT ASSY (DED0) |     | EA  |   |
| 24   | G3007463        | 30 LOWER TOP INSUL. RETAIN. ASSY    |     | EA  | NO LONGER AVAILABLE, Not available online / Call for pricing and availability |
| 25   | A1007280        | LOWER BACK INSUL. PANEL 30"         |     | EA  | NO LONGER AVAILABLE, Not available online / Call for pricing and availability |
| 26   | Not Replaceable | Module Pan                          |     | EA  | Not available online / Call for pricing and availability                      |
| 27   | Not Replaceable | Module Pan                          |     | EA  | Not available online / Call for pricing and availability                      |
| #    | PJ030006        | SWITCH (COOLING FAN)                |     | EA  |   |
| #    | E9107933        | BROILER PAN                         |     | EA  |   |
| #    | E9107934        | BROILER PAN INSERT - NLA            |     | EA  |   |



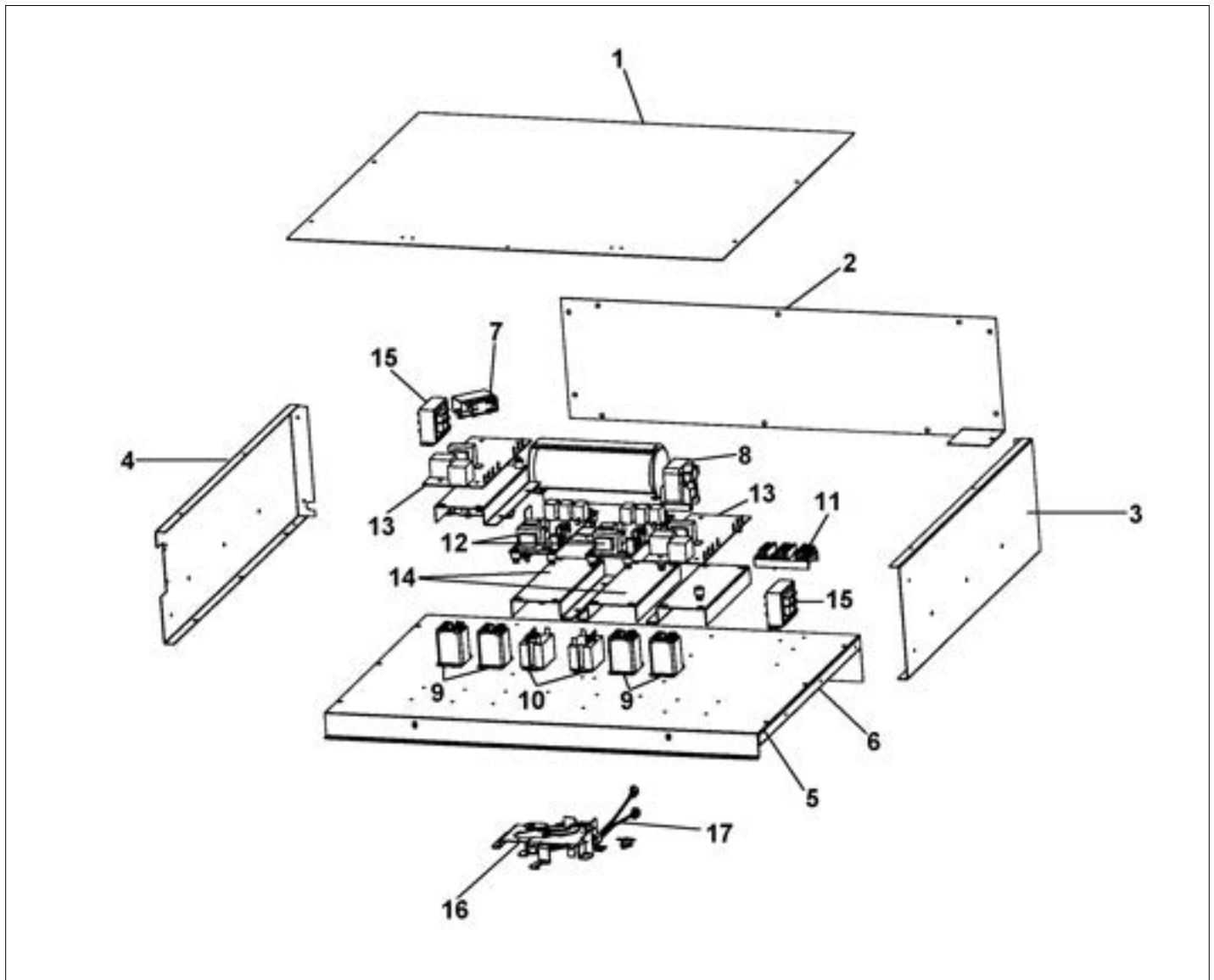
REAR PANEL





| Item | Part No. | Name                    | Qty | Uom | NOTES   |
|------|----------|-------------------------|-----|-----|---|
| 1    | A2006182 | AIR SCOOP               | 1   | EA  | NO LONGER AVAILABLE   |
| 2    | A1006179 | DOUBLE VENT COVER PLATE | 1   | EA  | NO LONGER AVAILABLE, Not available online / Call for pricing and availability |
| 3    | A1006178 | LOWER VENT COVER PLATE  | 1   | EA  | NO LONGER AVAILABLE, Not available online / Call for pricing and availability |
| 4    | A2006180 | DOUBLE OVEN FLUE COVER  | 1   | EA  | NO LONGER AVAILABLE, Not available online / Call for pricing and availability |
| 5    | A2006181 | DOUBLE OVEN FLUE        | 1   | EA  | NO LONGER AVAILABLE, Not available online / Call for pricing and availability |
| 6    | A2006324 | VENT SIDE LH            | 1   | EA  | NO LONGER AVAILABLE, Not available online / Call for pricing and availability |
| 7    | A2006323 | VENT SIDE RH            | 1   | EA  | NO LONGER AVAILABLE, Not available online / Call for pricing and availability |
| 8    | A2006048 | FAN MOUNTING BRACKET    | 1   | EA  | NO LONGER AVAILABLE, Not available online / Call for pricing and availability |
| 9    | A2006321 | LOWER VENT SIDE RH      | 1   | EA  | NO LONGER AVAILABLE, Not available online / Call for pricing and availability |
| 10   | A2006322 | LOWER VENT SIDE RH      | 1   | EA  | NO LONGER AVAILABLE, Not available online / Call for pricing and availability |
| 11   | A2006199 | LOWER AIR VENT          | 1   | EA  | NO LONGER AVAILABLE, Not available online / Call for pricing and availability |

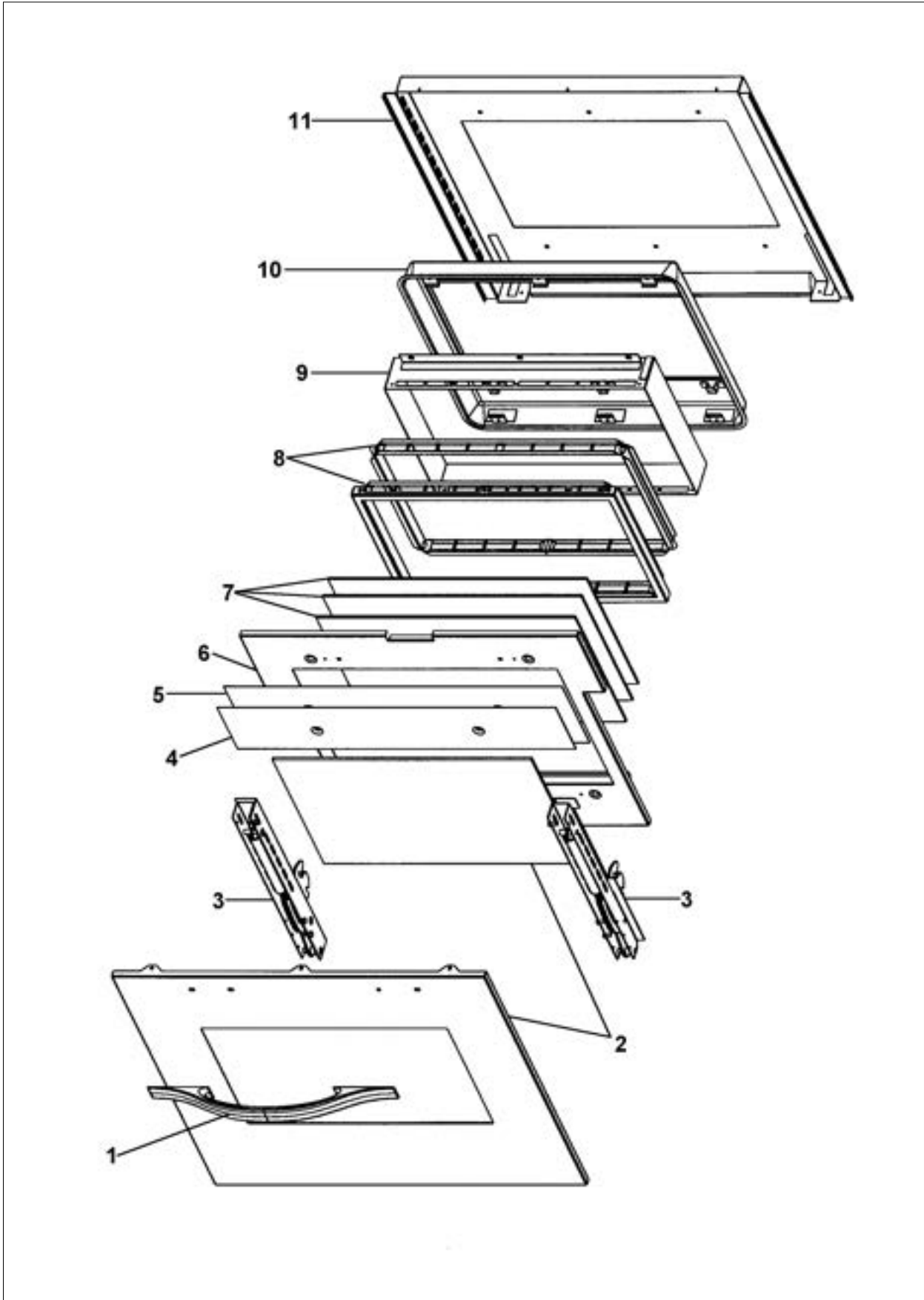
UPPER CABINET





| Item | Part No.        | Name   | Qty | Uom | NOTES   |
|------|-----------------|--|-----|-----|---|
| 1    | A2007956        | 30"" CABINET TOP                             | 1   | EA  | NO LONGER AVAILABLE   |
| 2    | A2007908        | 30 INCH TOP REAR COVER                       | 1   | EA  | NO LONGER AVAILABLE, Not available online / Call for pricing and availability |
| 3    | A2007698        | CABINET SIDE RH                              | 1   | EA  | NO LONGER AVAILABLE, Not available online / Call for pricing and availability |
| 4    | A2007699        | CABINET SIDE LH                              | 1   | EA  | NO LONGER AVAILABLE, Not available online / Call for pricing and availability |
| 5    | NOT REPLACEABLE | SANDWICH PANEL - TOP                         | 1   | EA  |   |
| 6    | NOT REPLACEABLE | SANDWICH PANEL - BOTTOM                      | 1   | EA  |   |
| 7    | PJ030002        | AUTO RESET (SELF-CLEAN) VDSC                 | 1   | EA  |   |
| 8    | PE050087        | BLOWER ASSEMBLY - DESIGNER SERIES            | 1   | EA  |   |
| 9    | PM010029        | RELAY (DOUBLE POLE-DOUBLE THROW)TEM          | 1   | EA  |   |
| 10   | PM010129        | RELAY  | 1   | EA  |   |
| 11   | PE070147        | TERMINAL BLOCK (VDSC)                        | 1   | EA  |   |
| 12   | PE070148        | SELF-CLEAN BOARD/TIMER (VDSC)                | 1   | EA  |   |
| 13   | PE070308        | PRE-HEAT BOARD                               | 1   | EA  |   |
| 14   | A2007212        | CLEAN BOARD MOUNTING BRACKET                 | 1   | EA  | NO LONGER AVAILABLE, Not available online / Call for pricing and availability |
| 15   | PE070468        | TRANSFORMER HALOGEN LIGHTS REPLACES PE070222 | 1   | EA  | NO LONGER AVAILABLE   |
| 16   | PE050112        | DOOR LATCH                                   | 1   | EA  |   |
| 17   | PE050059        | HI-LIMIT SWITCH                              | 1   | EA  |   |
| NI   | PE070319        | DESO PREHEAT HARNESS                         | 1   | EA  |   |
| NI   | PE070320        | DEDO PREHEAT HARNESS                         | 1   | EA  |   |

UPPER DOOR





| Item   | Part No.    | Name   | Qty | Uom | NOTES  |
|--|-------------|--|-----|-----|--|
| 1  | PE030167    | 30" DOOR HANDLE                                | 1   | EA  |  |
| Not Shown  | PE030089PVD | DOOR HANDLE 30" *BR* PVD                       | 1   | EA  | NO LONGER AVAILABLE                                      |
| 2  | G5008435BK  | O/S DOOR PANEL ASSY - BK (AFTER 2/15/02)       | 1   | EA  | Not available online / Call for pricing and availability |
| Not Shown  | G5008435BT  | O/S DOOR PANEL ASSY - BT (AFTER 2/15/02)       | 1   | EA  | Not available online / Call for pricing and availability |
| Not Shown  | G5008435GG  | O/S DOOR PANEL ASSY - GG (AFTER 2/15/02)       | 1   | EA  | Not available online / Call for pricing and availability |
| Not Shown  | G5008435SG  | O/S DOOR PANEL ASSY - SG (AFTER 2/15/02)       | 1   | EA  | Not available online / Call for pricing and availability |
| Not Shown  | G5008435SS  | O/S DOOR PANEL ASSY - SS (AFTER 2/15/02)       | 1   | EA  | Not available online / Call for pricing and availability |
| Not Shown  | G5008435WH  | O/S DOOR PANEL ASSY - WH (AFTER 2/15/02)       | 1   | EA  | Not available online / Call for pricing and availability |
| 3  | 006072-000  | HINGE, DOOR, ASM, MANSFIELD, DES, GREEN SPRING | 1   | EA  |  |
| <p>Comments for Part Num. 006072-000</p> <p>bradleysapplianceservice@shaw.ca on Sep 13, 2017</p> <p>SUBS TO: 006072-000 OVEN DOOR HINGE - GREEN SPRING</p> |             |  |     |     |  |
| 4  | A1006196    | OUTER DOOR HEAT SHIELD 30                      | 1   | EA  | Not available online / Call for pricing and availability |
| 5  | A1006195    | INNER DOOR HEAT SHIELD 30                      | 1   | EA  |  |
| 6  | A2006016    | 30 INCH DESIGNER DOOR INSULATION               | 1   | EA  | Not available online / Call for pricing and availability |
| 7  | H9107910    | DOOR LINER ASSEMBLY (AFTER 2/15/02)            | 1   | EA  | Not available online / Call for pricing and availability |



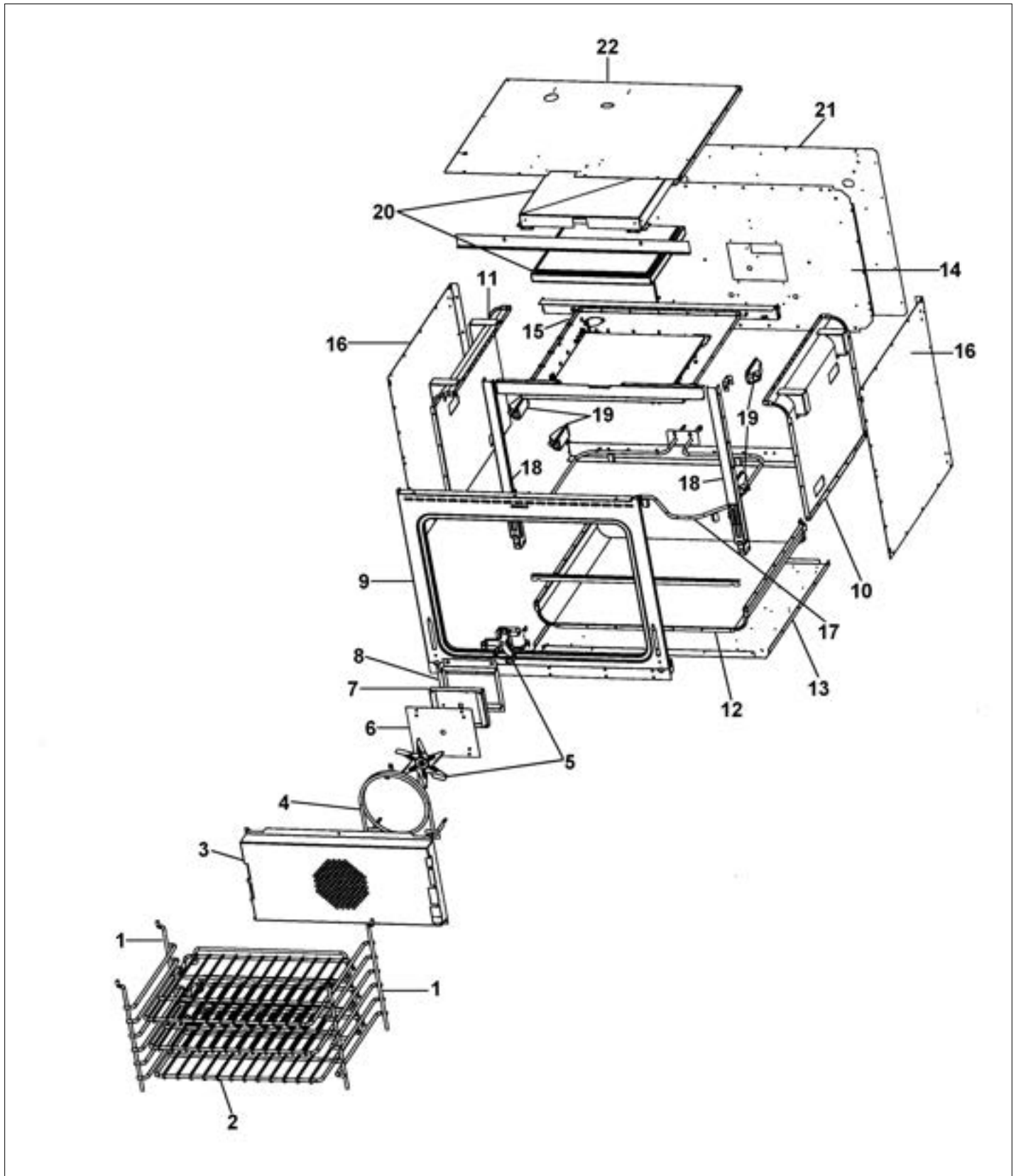
| Item         | Part No.     | Name   | Qty | Uom | NOTES   |
|--------------|--------------|--|-----|-----|---|
| 8            | G3206151     | 30 INCH DESIGNER GLASS<br>PACK ASSY          | 1   | EA  |   |
| 9            | H9106017     | DOOR PLUG ASSEMBLY                           | 1   | EA  | Not available<br>online / Call for<br>pricing and<br>availability |
| 10           | PE060057     | 30" GLASS PACK GLASS H.T.                    | 1   | EA  |   |
| NI           | PB070093     | BOARD INSULATION 30"                         | 1   | EA  |   |
| NI           | G3207439BK   | COMPLETE DOOR ASSY - BK<br>(AFTER 2/15/02)   | 1   | EA  | Not available<br>online / Call for<br>pricing and<br>availability |
| Not<br>Shown | G3207439BKBR | COMPLETE DOOR ASSY -<br>BKBR (AFTER 2/15/02) | 1   | EA  | Not available<br>online / Call for<br>pricing and<br>availability |
| Not<br>Shown | G3207439BT   | COMPLETE DOOR ASSY - BT<br>(AFTER 2/15/02)   | 1   | EA  | Not available<br>online / Call for<br>pricing and<br>availability |
| Not<br>Shown | G3207439BTBR | COMPLETE DOOR ASSY -<br>BTBR (AFTER 2/15/02) | 1   | EA  | Not available<br>online / Call for<br>pricing and<br>availability |
| Not<br>Shown | G3207439GG   | COMPLETE DOOR ASSY - GG<br>(AFTER 2/15/02)   | 1   | EA  | Not available<br>online / Call for<br>pricing and<br>availability |
| Not<br>Shown | G3207439GGBR | COMPLETE DOOR ASSY -<br>GGBR (AFTER 2/15/02) | 1   | EA  | Not available<br>online / Call for<br>pricing and<br>availability |
| Not<br>Shown | G3207439SG   | COMPLETE DOOR ASSY - SG<br>(AFTER 2/15/02)   | 1   | EA  | Not available<br>online / Call for<br>pricing and<br>availability |
| Not<br>Shown | G3207439SGBR | COMPLETE DOOR ASSY -<br>SGBR (AFTER 2/15/02) | 1   | EA  | Not available<br>online / Call for<br>pricing and<br>availability |
| Not<br>Shown | G3207439SS   | COMPLETE DOOR ASSY - SS<br>(AFTER 2/15/02)   | 1   | EA  | Not available<br>online / Call for<br>pricing and<br>availability |
| Not<br>Shown | G3207439SSBR | COMPLETE DOOR ASSY -<br>SSBR (AFTER 2/15/02) | 1   | EA  | Not available<br>online / Call for<br>pricing and<br>availability |



| Item      | Part No.     | Name                                      | Qty | Uom | NOTES  |
|-----------|--------------|---|-----|-----|--|
| Not Shown | G3207439WH   | COMPLETE DOOR ASSY - WH (AFTER 2/15/02)   | 1   | EA  | Not available online / Call for pricing and availability |
| Not Shown | G3207439WHBR | COMPLETE DOOR ASSY - WHBR (AFTER 2/15/02) | 1   | EA  | Not available online / Call for pricing and availability |
| NI        | PD020032     | SRW-8(A)X3/8"PH.WFR HD 7/16DIA*NICL       | 1   | EA  |  |
| NI        | B1007913     | HINGE CLIP (DESIGNER TIME PIECE)          | 1   | EA  |  |



UPPER OVEN





| Item | Part No.        | Name                                | Qty | Uom | NOTES   |
|------|-----------------|-------------------------------------|-----|-----|---|
| 1    | PB060030        | RACK SUPT REPL PB060010             |     | EA  |   |
| 2    | PB060044        | OVEN RK VDSC30/48RH REPL PB060019   |     | EA  |   |
| 3    | G9104316        | CONVECTION FAN ASSY (VESO176/DO276) |     | EA  | Not available online / Call for pricing and availability                      |
| 4    | PJ010003        | CONVECTION ELEMENT (VDSC) 240V      |     | EA  | NO LONGER AVAILABLE   |
| 5    | PE050005        | CONVECTION FAN ASSY                 |     | EA  |   |
| 6    | A1002596        | CONVECTION FAN COVER (VDSC)         |     | EA  |   |
| 7    | A2002595        | CONVECTION FAN BOX (VDSC)           |     | EA  |   |
| 8    | A2001746        | SIDE FAN SHIELD                     |     | EA  | Not available online / Call for pricing and availability                      |
| 9    | H9106118        | 30 INCH DESIGNER F.F. ASSEMBLY      |     | EA  | NO LONGER AVAILABLE   |
| 10   | Not Replaceable | Module Pan                          |     | EA  | Not available online / Call for pricing and availability                      |
| 11   | Not Replaceable | Module Pan                          |     | EA  | Not available online / Call for pricing and availability                      |
| 12   | Not Replaceable | Module Pan                          |     | EA  | Not available online / Call for pricing and availability                      |
| 13   | Not Replaceable | Module Pan                          |     | EA  | Not available online / Call for pricing and availability                      |
| 14   | E9107264        | OVEN BACK 30" (DEDO205)             |     | EA  | NO LONGER AVAILABLE, Not available online / Call for pricing and availability |
| 15   | E9107263        | OVEN TOP 30" (DEDO205)              |     | EA  | NO LONGER AVAILABLE, Not available online / Call for pricing and availability |

| Item   | Part No.   | Name   | Qty | Uom | NOTES   |
|--|------------|--|-----|-----|---|
| 16   | A2002904   | SIDE INSULATION RETAINER                             |     | EA  | NO LONGER AVAILABLE, Not available online / Call for pricing and availability |
| 17   | PJ010012   | BAKE ELEMENT (VESO176/VEDO276)240V                   |     | EA  |   |
| 18   | PC020016   | HINGE RECEIVER (VEDO/VEDO)                           |     | EA  |   |
| 19   | PE050056   | OVEN LIGHT ASSY 12V/5W                               |     | EA  |   |
| NI   | 062116-000 | REPLACEMENT BULB (FOR PE050056 ASSEMBLY)             |     | EA  |   |
| 20   | G3207273   | CONCEALED BROIL ELEMENT ASSY (DEDO)                  |     | EA  |   |
| 21   | A1007271   | BACK INSULATION RETAINER 30"                         |     | EA  | NO LONGER AVAILABLE, Not available online / Call for pricing and availability |
| 22   | G3007461   | 30 TOP INSULATION RETAINER ASSY                      |     | EA  | NO LONGER AVAILABLE, Not available online / Call for pricing and availability |
| #  | PJ030006   | SWITCH (COOLING FAN)                                 |     | EA  |   |
| #  | PM010014   | SMOKE ELIMINATOR (VDSC)                              |     | EA  |   |
| #  | PE050115   | MEAT PROBE JACK (SWITCHCRAFT'S PART# 3J1505)         |     | EA  |   |
| <p>Comments for Part Num. PE050115</p> <p>bradleysapplianceservice@shaw.ca on May 8, 2017</p> <p>Meat probe is not illustrated on Parts Break Down.</p> <p>PE050114 MEAT PROBE</p> |            |  |     |     |   |
| #  | PE050114   | MEAT PROBE (DESO/DEDO) (SWITCHCRAFT'S PART # 4C7919) |     | EA  |   |
| #  | E9107933   | BROILER PAN  |     | EA  |   |
| #  | E9107934   | BROILER PAN INSERT - NLA                             |     | EA  |   |



Appendix A:Pages Index

CONTROL ASSEMBLY ..... 1  
FUNCTIONAL PARTS .....2  
LOWER DOOR .....3  
LOWER OVEN ..... 4  
REAR PANEL ..... 5  
UPPER CABINET ..... 6  
UPPER DOOR ..... 7  
UPPER OVEN ..... 8



Appendix B:Parts Index

|            |      |              |         |
|------------|------|--------------|---------|
| 000623-000 | 3    | E9107933     | 4, 8    |
| 006072-000 | 3, 7 | E9107934     | 4, 8    |
| 062116-000 | 4, 8 | G3007285     | 1       |
| A1002596   | 4, 8 | G3007461     | 8       |
| A1006178   | 5    | G3007463     | 4       |
| A1006179   | 5    | G3206151     | 7       |
| A1006195   | 3, 7 | G3207273     | 2, 4, 8 |
| A1006196   | 3, 7 | G3207277BK   | 3       |
| A1007271   | 8    | G3207277BKBR | 3       |
| A1007280   | 4    | G3207277BT   | 3       |
| A2001746   | 4, 8 | G3207277BTBR | 3       |
| A2002595   | 4, 8 | G3207277GG   | 3       |
| A2002904   | 4, 8 | G3207277GGBR | 3       |
| A2006016   | 3, 7 | G3207277SG   | 3       |
| A2006048   | 5    | G3207277SGBR | 3       |
| A2006100   | 1    | G3207277SSBR | 3       |
| A2006101   | 1    | G3207277WH   | 3       |
| A2006180   | 5    | G3207277WHBR | 3       |
| A2006181   | 5    | G3207439BK   | 7       |
| A2006182   | 5    | G3207439BKBR | 7       |
| A2006199   | 5    | G3207439BT   | 7       |
| A2006321   | 5    | G3207439BTBR | 7       |
| A2006322   | 5    | G3207439GG   | 7       |
| A2006323   | 5    | G3207439GGBR | 7       |
| A2006324   | 5    | G3207439SG   | 7       |
| A2007212   | 6    | G3207439SGBR | 7       |
| A2007255   | 1    | G3207439SS   | 7       |
| A2007698   | 6    | G3207439SSBR | 7       |
| A2007699   | 6    | G3207439WH   | 7       |
| A2007908   | 6    | G3207439WHBR | 7       |
| A2007956   | 6    | G3207969SS   | 3       |
| B1007913   | 3, 7 | G4008423     | 1, 2    |
| B9207253   | 1    | G5008294BK   | 3       |
| C9207253BK | 1    | G5008294BT   | 3       |
| C9207253BT | 1    | G5008294GG   | 3       |
| C9207253GG | 1    | G5008294SG   | 3       |
| C9207253SG | 1    | G5008294SS   | 3       |
| C9207253WH | 1    | G5008294WH   | 3       |
| E9107263   | 4, 8 | G5008435BK   | 7       |
| E9107264   | 4, 8 | G5008435BT   | 7       |
|            |      | G5008435GG   | 7       |



|                 |                           |          |         |
|-----------------|---------------------------|----------|---------|
| G5008435SG      | 7                         | PE050059 | 2, 4, 6 |
| G5008435SS      | 7                         | PE050073 | 1, 2    |
| G5008435WH      | 7                         | PE050087 | 2, 4, 6 |
| G9007611BK      | 1                         | PE050088 | 1, 2    |
| G9007611BT      | 1                         | PE050112 | 2, 4, 6 |
| G9007611GG      | 1                         | PE050114 | 2, 8    |
| G9007611SG      | 1                         | PE050115 | 2, 8    |
| G9007611WH      | 1                         | PE060057 | 3, 7    |
| G9104316        | 4, 8                      | PE070147 | 2, 6    |
| H3006156        | 3                         | PE070148 | 2, 6    |
| H3006158        | 3                         | PE070308 | 2, 6    |
| H9106017        | 3, 7                      | PE070319 | 6       |
| H9106118        | 8                         | PE070320 | 6       |
| H9107467        | 4                         | PE070468 | 2, 6    |
| H9107910        | 3, 7                      | PJ010003 | 2, 4, 8 |
| H9107912        | 1                         | PJ010012 | 2, 4, 8 |
| Not Replaceable | 4, 4, 4, 4, 4, 8, 8, 8, 8 | PJ030001 | 1, 2    |
| PA010091PVD     | 1                         | PJ030002 | 2, 6    |
| PA010093        | 1                         | PJ030003 | 1, 2    |
| PA010093PVD     | 1                         | PJ030006 | 2, 4, 8 |
| PA010095        | 1                         | PJ030010 | 1, 2    |
| PA010095PVD     | 1                         | PJ030012 | 1, 2    |
| PA010110        | 1                         | PM010014 | 2, 4, 8 |
| PA010110PVD     | 1                         | PM010029 | 2, 6    |
| PA010194        | 1                         | PM010129 | 2, 6    |
| PB010196        | 1                         |          |         |
| PB010196PVD     | 1                         |          |         |
| PB010204        | 1                         |          |         |
| PB010204PVD     | 1                         |          |         |
| PB010221        | 1                         |          |         |
| PB010221PVD     | 1                         |          |         |
| PB060030        | 4, 8                      |          |         |
| PB060044        | 4, 8                      |          |         |
| PB070093        | 3, 7                      |          |         |
| PB070094        | 3                         |          |         |
| PC020016        | 4, 8                      |          |         |
| PD020032        | 3, 7                      |          |         |
| PE030089PVD     | 3, 7                      |          |         |
| PE030167        | 3, 7                      |          |         |
| PE050005        | 2, 4, 8                   |          |         |
| PE050056        | 2, 4, 8                   |          |         |