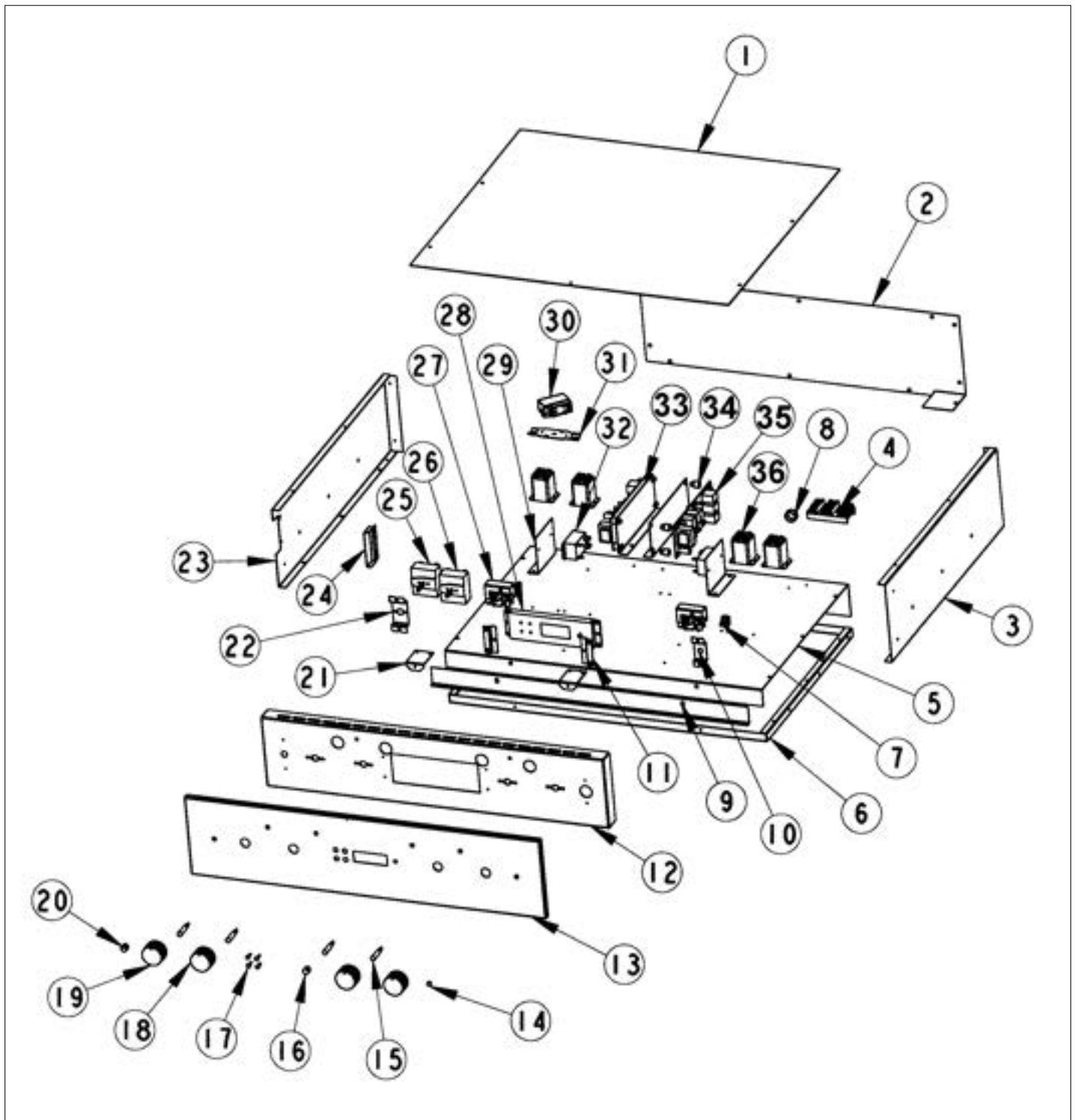


**CDEDO270**

CONTROL PANEL - CABINET ASSY .....	1
CONVECTION FAN ASSY .....	2
FUNCTIONAL PARTS .....	3
LOWER DOOR ASSY .....	4
LOWER OVEN ASSY .....	5
REAR PANEL ASSY .....	6
UPPER DOOR ASSY .....	7
UPPER OVEN ASSY .....	8
Appendix A:Pages Index .....	A
Appendix B:Parts Index .....	B

CONTROL PANEL - CABINET ASSY





Item	Part No.	Name	Qty	Uom	NOTES
1	A2006143	DESIGNER OVEN CABINET TOP 27	1	EA	NO LONGER AVAILABLE, Not available online / Call for pricing and availability
2	A2006114	27 INCH TOP REAR COVER	1	EA	NO LONGER AVAILABLE, Not available online / Call for pricing and availability
3	A2006122	CABINET SIDE RH	1	EA	Not available online / Call for pricing and availability
4	PE070147	TERMINAL BLOCK (VDSC)	1	EA	
5	NOT REPLACABLE	Sandwich Panel - Top	1	EA	
6	NOT REPLACABLE	Sandwich Panel - Bottom	1	EA	
7	G4008423	DESIGNER OVEN LIGHT SWITCH ASSY	1	EA	
8	PD040005	SNAP BUSHING - 7/8"	1	EA	
9	A2006185	FRONT SANDWICH PANEL ANGLE 27	1	EA	NO LONGER AVAILABLE, Not available online / Call for pricing and availability
10	A2006101	OVEN LIGHT SWITCH BRACKET	1	EA	
11	A2006098	CLOCK MOUNTING BRACKET	1	EA	NO LONGER AVAILABLE
12	E9106136	CONTROL MOUNTING PANEL (DEDO270)	1	EA	NO LONGER AVAILABLE
13	B9206140	CONTROL PANEL - DEDO 270 (SS)	1	EA	
Not Shown	C9206140BK	CTRL PAN DEDO270 *BK* SLK. SC.	1	EA	NO LONGER AVAILABLE, Not available online / Call for pricing and availability
Not Shown	C9206140BT	CTRL PAN DEDO270 *BT* SLK. SC.	1	EA	NO LONGER AVAILABLE
Not Shown	C9206140GG	CTRL PAN DEDO270 *GG* SLK. SC.	1	EA	NO LONGER AVAILABLE
Not Shown	C9206140SG	CTRL PAN DEDO270 *SG* SLK. SC.	1	EA	NO LONGER AVAILABLE, Not available online / Call for pricing and availability



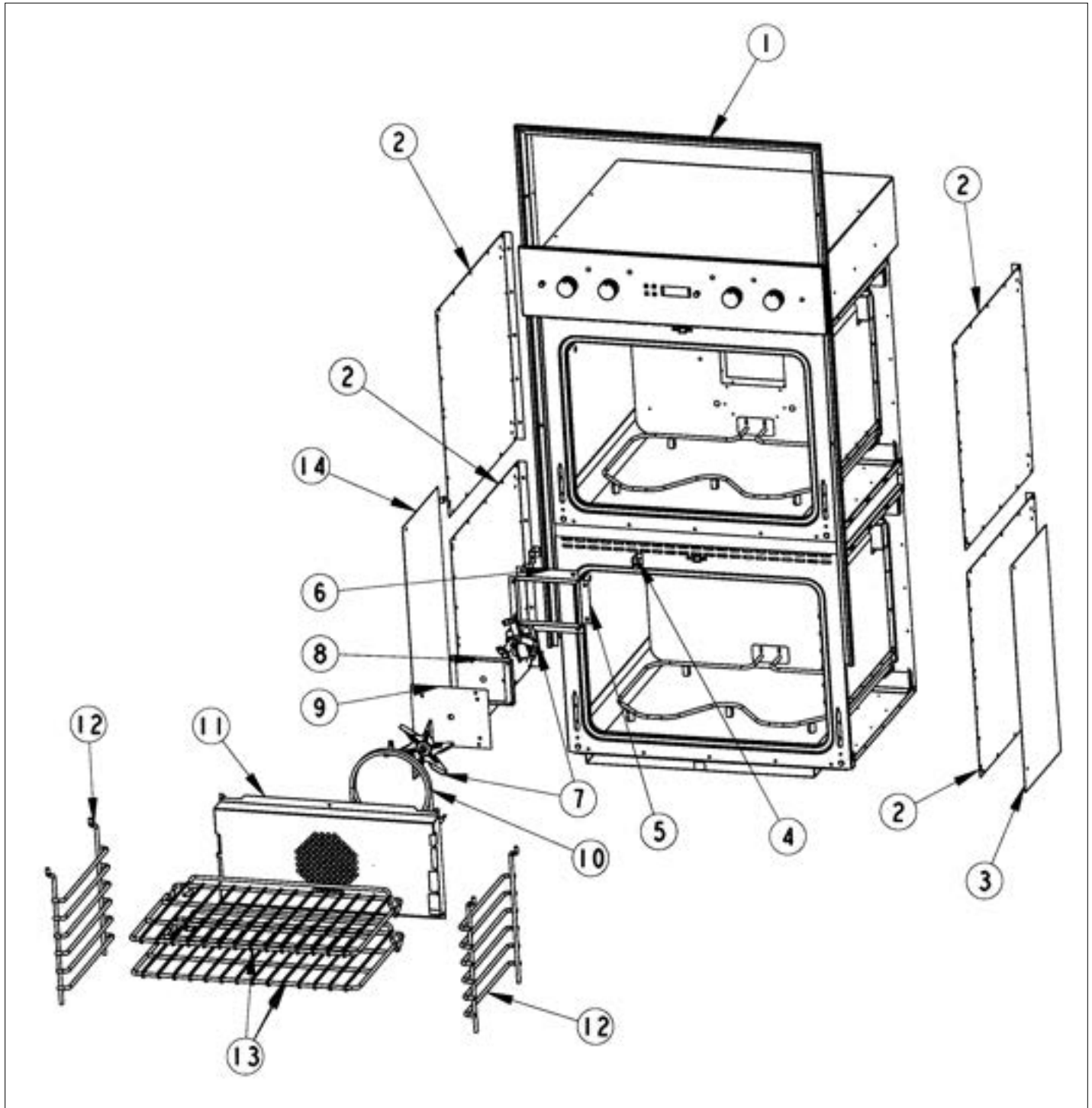
Item	Part No.	Name	Qty	Uom	NOTES
Not Shown	C9206140WH	CTRL PAN DEDO270 *WH* SLK. SC.	1	EA	NO LONGER AVAILABLE, Not available online / Call for pricing and availability
Not Shown	B9207963	CONTROL PANEL 27	1	EA	
Not Shown	C9207963BK	CTRL PANEL 27 *BK* SLK. SC.	1	EA	NO LONGER AVAILABLE, Not available online / Call for pricing and availability
Not Shown	C9207963BT	CTRL PANEL 27 *BT* SLK. SC.	1	EA	NO LONGER AVAILABLE
Not Shown	C9207963GG	CTRL PANEL 27 *GG* SLK. SC.	1	EA	NO LONGER AVAILABLE
Not Shown	C9207963SG	CTRL PANEL 27 *SG* SLK. SC.	1	EA	Not available online / Call for pricing and availability
Not Shown	C9207963WH	CTRL PANEL 27 *WH* SLK. SC.	1	EA	NO LONGER AVAILABLE
14	PA010093	DESIGNER OVEN LT SWITCH KNOB	1	EA	
Not Shown	PA010093PVD	DESIGNER OVEN LT SWITCH KNOB-BRASS	1	EA	
15	PE050073	DESIGNER INDICATOR LT	1	EA	
16	PB010198	BIT GENERATOR KNOB	1	EA	
Not Shown	PB010198PVD	BIT GENERATOR KNOB - BR	1	EA	
17	PB010217	DESIGNER CLOCK BUTTON	1	EA	
Not Shown	PB010217PVD	DESIGNER CLOCK BUTTON-BRASS	1	EA	
18	PB010196	DESIGNER THERMOSTAT KNOB	1	EA	
Not Shown	PB010196PVD	DESIGNER THERMOSTAT KNOB W/BRASS	1	EA	
Not Shown	PB010204	DESIGNER THERMOSTAT KNOB - GRAY	1	EA	
Not Shown	PB010204PVD	DESIGNER THERMOSTAT KNOB -BR/GRAY	1	EA	
19	PA010194	DES. SELECTOR/THERMOSTAT KNOB	1	EA	

Item	Part No.	Name	Qty	Uom	NOTES
Not Shown	PA010091PVD	DESIGNER SELECTOR KNOB - BR	1	EA	
Not Shown	PA010095	DESIGNER SELECTOR KNOB - GRAY	1	EA	
Not Shown	PA010095PVD	DESIGNER SELECTOR KNOB-BR/GRAY	1	EA	
20	PA010110	DESIGNER OVEN SELECTOR KNOB REPL PA010092	1	EA	
Not Shown	PA010092PVD	DESIGNER OVEN SELECTOR KNOB - BRASS	1	EA	NO LONGER AVAILABLE
21	A2006144	CONTROL MOUNT BRACKET	1	EA	
22	A2006100	THREE POSITION SELECTOR BRKT	1	EA	
23	A2006123	CABINET SIDE LH	1	EA	
24	A2006109	SELECTOR SWITCH COVER	1	EA	NO LONGER AVAILABLE, Not available online / Call for pricing and availability
25	PJ030010	SELECTOR SWITCH (3-POSITION)VEDO205	1	EA	
26	PJ030001	SELECTOR SWITCH (8-POSITION) VDSC	1	EA	NO LONGER AVAILABLE
27	PJ030003	THERMOSTAT (SELF CLEAN) VDSC	1	EA	
<p>Comments for Part Num. PJ030003</p> <p>boltz on Nov 21, 2017 See Bulletin 2005-03 Reply by steves@bendbroadband.com on Apr 10, 2018 what bulletin? bulletin should linked here. Reply by bradleysapplianceservice@shaw.ca on Sep 27, 2018 If you have access to Documoto then all you have to do is either run the part number PJ030003 or service bulletin number 2005-03AS in the main search field and all your answer will be there. It's Simple.</p>					
Not Shown	PJ030012	THERMOSTAT (SELF-CLEAN) VESO/VEDO	1	EA	See Bulletin 2005-03
<p>Comments for Part Num. PJ030012</p> <p>boltz on Nov 21, 2017 See Bulletin 2005-03</p>					
28	PE050049	CLOCK/TIMER(ROBERTSHAW# 100-00550-01	1	EA	NO LONGER AVAILABLE



Item	Part No.	Name	Qty	Uom	NOTES
29	A2006186	POWER RELAY BRACKET	1	EA	NO LONGER AVAILABLE, Not available online / Call for pricing and availability
30	PJ030002	AUTO RESET (SELF-CLEAN) VDSC	1	EA	
31	A1002456	THERMO-DISC BRKT (VDSC)	1	EA	
32	PM010029	RELAY (DOUBLE POLE-DOUBLE THROW)TEM	1	EA	
33	A2006099	TIMER BOARD BRACKET	1	EA	NO LONGER AVAILABLE, Not available online / Call for pricing and availability
34	PD030033	GROMMET NUT-ROUND HD. #8 X .500DIA.	1	EA	
35	PE070148	SELF-CLEAN BOARD/TIMER (VDSC)	1	EA	
36	PM010029	RELAY (DOUBLE POLE-DOUBLE THROW)TEM	1	EA	

# CONVECTION FAN ASSY



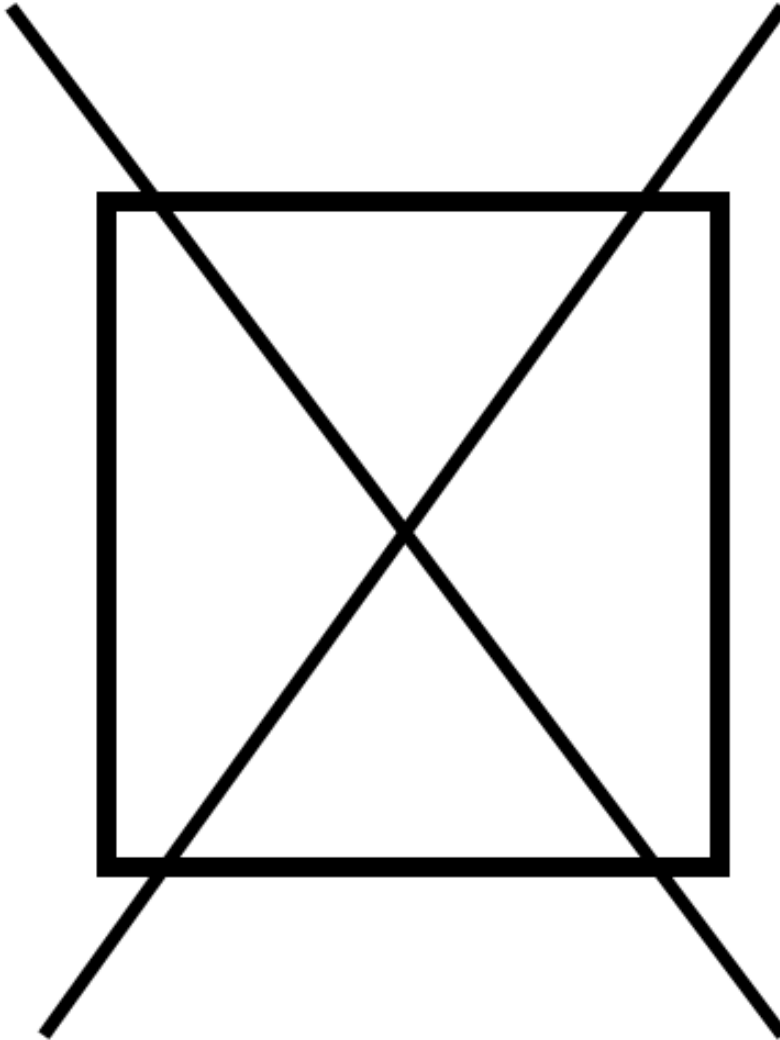




Item	Part No.	Name	Qty	Uom	NOTES
1	G3006126	FRONT TRIM ASSY - 27 DOUBLE	1	EA	NO LONGER AVAILABLE
2	A2002904	SIDE INSULATION RETAINER	1	EA	NO LONGER AVAILABLE, Not available online / Call for pricing and availability
3	B2006194	SIDE HEAT SHIELD RH	1	EA	NO LONGER AVAILABLE, Not available online / Call for pricing and availability
4	A2001361	BACK SPACER (VGSC/VGSS)	1	EA	
5	A2008467	INSULATION SHIELD	1	EA	
6	A2001746	SIDE FAN SHIELD	1	EA	Not available online / Call for pricing and availability
7	PE050005	CONVECTION FAN ASSY	1	EA	
8	A2002595	CONVECTION FAN BOX (VDSC)	1	EA	
9	A1002596	CONVECTION FAN COVER (VDSC)	1	EA	
10	PJ010003	CONVECTION ELEMENT (VDSC) 240V	1	EA	NO LONGER AVAILABLE
11	E9104309	CONVECTION FAN COVER	1	EA	NO LONGER AVAILABLE
12	PB060030	RACK SUPT REPL PB060010	1	EA	
13	PB060048	OVEN RACK - 27"	1	EA	NO LONGER AVAILABLE
14	B2006193	LH HEAT SHIELD (DEDO)	1	EA	NO LONGER AVAILABLE, Not available online / Call for pricing and availability

## FUNCTIONAL PARTS

NON  
ILLUSTRATED PART

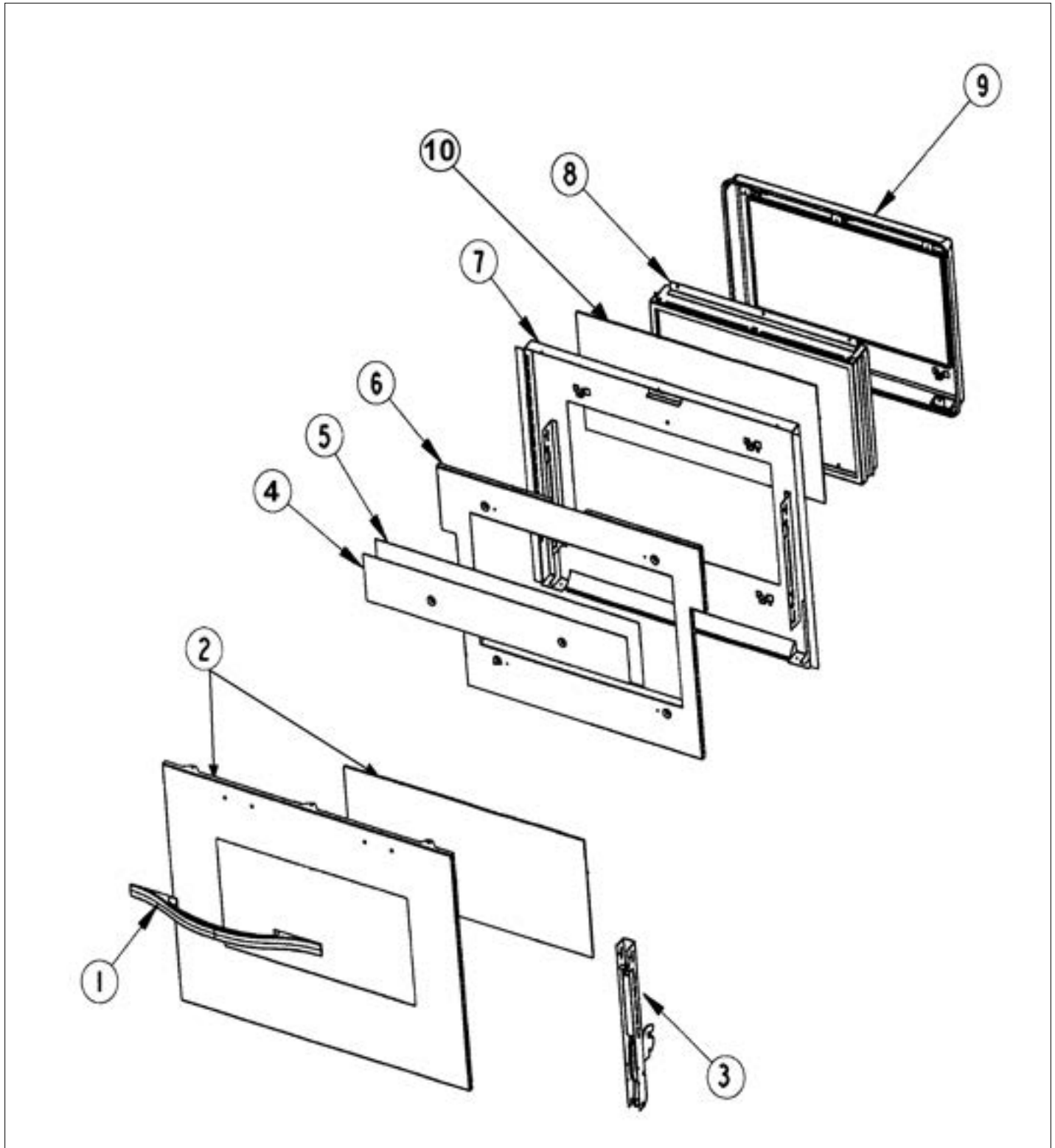


Item	Part No.	Name	Qty	Uom	NOTES
1	PJ030010	SELECTOR SWITCH (3-POSITION)VEDO205	1	EA	
2	PJ030001	SELECTOR SWITCH (8-POSITION) VDSC	1	EA	NO LONGER AVAILABLE
3	PJ030002	AUTO RESET (SELF-CLEAN) VDSC	1	EA	
4	PJ010004	BAKE ELEMENT (VDSC) 240V	1	EA	
5	PJ010012	BAKE ELEMENT (VESO176/VEDO276)240V	1	EA	
6	PE050049	CLOCK/TIMER(ROBERTSHAW# 100-00550-01	1	EA	NO LONGER AVAILABLE
7	PJ010003	CONVECTION ELEMENT (VDSC) 240V	1	EA	NO LONGER AVAILABLE
8	PE050005	CONVECTION FAN ASSY	1	EA	
9	PE050087	BLOWER ASSEMBLY - DESIGNER SERIES	1	EA	
10	PE050053	DR LATCH REPL PE050020	1	EA	
Comments for Part Num. PE050053  profixappliances@gmail.com on Oct 8, 2019 UNIT DEDO200SS, 121203C0000000562 - USES SELF CLEAN LATCH PE050112 WITH HOOK POINTED "DOWN"					
11	PJ030006	SWITCH (COOLING FAN)	1	EA	
12	PE050059	HI-LIMIT SWITCH	1	EA	
13	PJ010002	BROIL ELEMENT(MAXI)-SIDE (VDSC)240V	1	EA	
14	PJ010011	OUTSIDE BROIL ELEMENT (27" OVEN)240	1	EA	
15	PM010029	RELAY (DOUBLE POLE-DOUBLE THROW)TEM	1	EA	
16	PE070148	SELF-CLEAN BOARD/TIMER (VDSC)	1	EA	
17	PE070147	TERMINAL BLOCK (VDSC)	1	EA	
18	PJ030003	THERMOSTAT (SELF CLEAN) VDSC	1	EA	



Item	Part No.	Name	Qty	Uom	NOTES
<p>Comments for Part Num. PJ030003</p> <p>boltz on Nov 21, 2017 See Bulletin 2005-03 Reply by steves@bendbroadband.com on Apr 10, 2018 what bulletin? bulletin should linked here. Reply by bradleysapplianceservice@shaw.ca on Sep 27, 2018 If you have access to Documoto then all you have to do is either run the part number PJ030003 or service bulletin number 2005-03AS in the main search field and all your answer will be there. It's Simple.</p>					
Not Shown	PJ030012	THERMOSTAT (SELF-CLEAN) VESO/VEDO	1	EA	See Bulletin 2005-03
<p>Comments for Part Num. PJ030012</p> <p>boltz on Nov 21, 2017 See Bulletin 2005-03</p>					

LOWER DOOR ASSY



Item	Part No.	Name	Qty	Uom	NOTES
1	PE030090	HANDLE - SS	1	EA	Not available online / Call for pricing and availability
Not Shown	PE030090PVD	DOOR HANDLE 27" *BR* PVD	1	EA	NO LONGER AVAILABLE, Not available online / Call for pricing and availability
2	N/A*	O/S DOOR PANEL ASSY (BEFORE 2/15/02)	1	EA	
Not Shown	G5008296BK	O/S DOOR SKIN ASSEMBLY (DESIGN)	1	EA	NO LONGER AVAILABLE, Not available online / Call for pricing and availability
Not Shown	G5008296BT	COMPLETE DOOR ASSY (DESIGN)	1	EA	NO LONGER AVAILABLE
Not Shown	G5008296GG	COMPLETE DOOR ASSY (DESIGN)	1	EA	
Not Shown	G5008296SG	COMPLETE DOOR ASSY (DESIGN)	1	EA	NO LONGER AVAILABLE
Not Shown	G5008296SS	COMPLETE DOOR ASSY (DESIGN)	1	EA	
Not Shown	G5008296WH	COMPLETE DOOR ASSY (DESIGN)	1	EA	NO LONGER AVAILABLE, Not available online / Call for pricing and availability
3	N/A*	DOOR HINGE (BEFORE 2/15/02)	1	EA	
PC02013 9	006072-000	HINGE, DOOR, ASM, MANSFIELD, DES, GREEN SPRING	1	EA	
Comments for Part Num. 006072-000  bradleysapplianceservice@shaw.ca on Sep 13, 2017 SUBS TO: 006072-000 OVEN DOOR HINGE - GREEN SPRING					
4	A1006198	OUTER DOOR HEAT SHEILD 27	1	EA	
5	A1006197	INNER DOOR HEAT SHEILD 27	1	EA	
6	E9106007	27 INCH DOOR INSULAION RETAINER	1	EA	NO LONGER AVAILABLE, Not available online / Call for pricing and availability
7	N/A*	DOOR LINER ASSY (BEFORE 2/15/02)	1	EA	



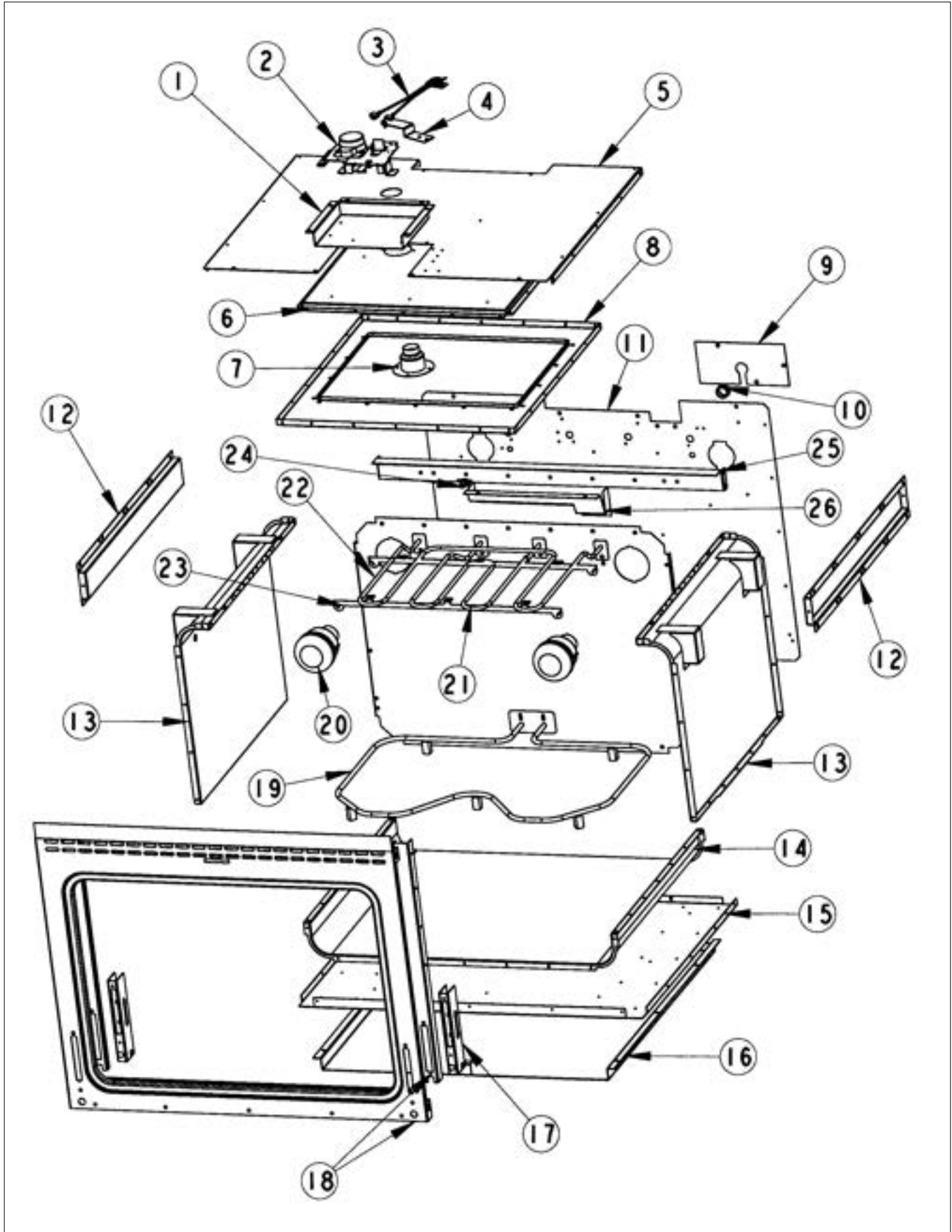
Item	Part No.	Name	Qty	Uom	NOTES
Not Shown	H9107909	DOOR LINER ASSY (AFTER 2/15/02)	1	EA	Not available online / Call for pricing and availability
8	G3206150	27 INCH DESIGNER GLASS PACK ASSY	1	EA	
9	H9106008	DOOR PLUG ASSEMBLY	1	EA	
10	PE060056	27" GLASS PACK GLASS H.T.	1	EA	
NI	PB070092	BOARD INSULATION 27"	1	EA	
NI	N/A*	COMPLETE DOOR ASSY (BEFORE 2/15/02)	1	EA	
NI	G3207967BK	COMPLETE DOOR ASSY - BK	1	EA	Not available online / Call for pricing and availability
Not Shown	G3207967BKBR	COMPLETE DOOR ASSY - BKBR	1	EA	Not available online / Call for pricing and availability
Not Shown	G3207967BT	LOWER DR ASSY *BT* (DEDO270)	1	EA	NO LONGER AVAILABLE, Not available online / Call for pricing and availability
Not Shown	G3207967BTBR	COMPLETE DOOR ASSY - BTBR	1	EA	Not available online / Call for pricing and availability
Not Shown	G3207967GG	COMPLETE DOOR ASSY - GG	1	EA	Not available online / Call for pricing and availability
Not Shown	G3207967GGBR	COMPLETE DOOR ASSY - GGBR	1	EA	Not available online / Call for pricing and availability
Not Shown	G3207967SG	LOWER DR ASSY *SG* (DEDO270)	1	EA	NO LONGER AVAILABLE, Not available online / Call for pricing and availability
Not Shown	G3207967SGBR	COMPLETE DOOR ASSY - SGBR	1	EA	Not available online / Call for pricing and availability
Not Shown	G3207967SS	LOWER DR ASSY *SS* (DEDO270)	1	EA	



Item	Part No.	Name	Qty	Uom	NOTES
Not Shown	G3207967SSBR	COMPLETE DOOR ASSY - SSBR	1	EA	Not available online / Call for pricing and availability
Not Shown	G3207967WH	LOWER DR ASSY *WH* (DEDO270)	1	EA	NO LONGER AVAILABLE
Not Shown	G3207967WHBR	COMPLETE DOOR ASSY - WHBR	1	EA	Not available online / Call for pricing and availability
NI	PD020032	SRW-8(A)X3/8"PH.WFR HD 7/16DIA*NICL	1	EA	
NI	B1007913	HINGE CLIP (DESIGNER TIME PIECE)	1	EA	



## LOWER OVEN ASSY



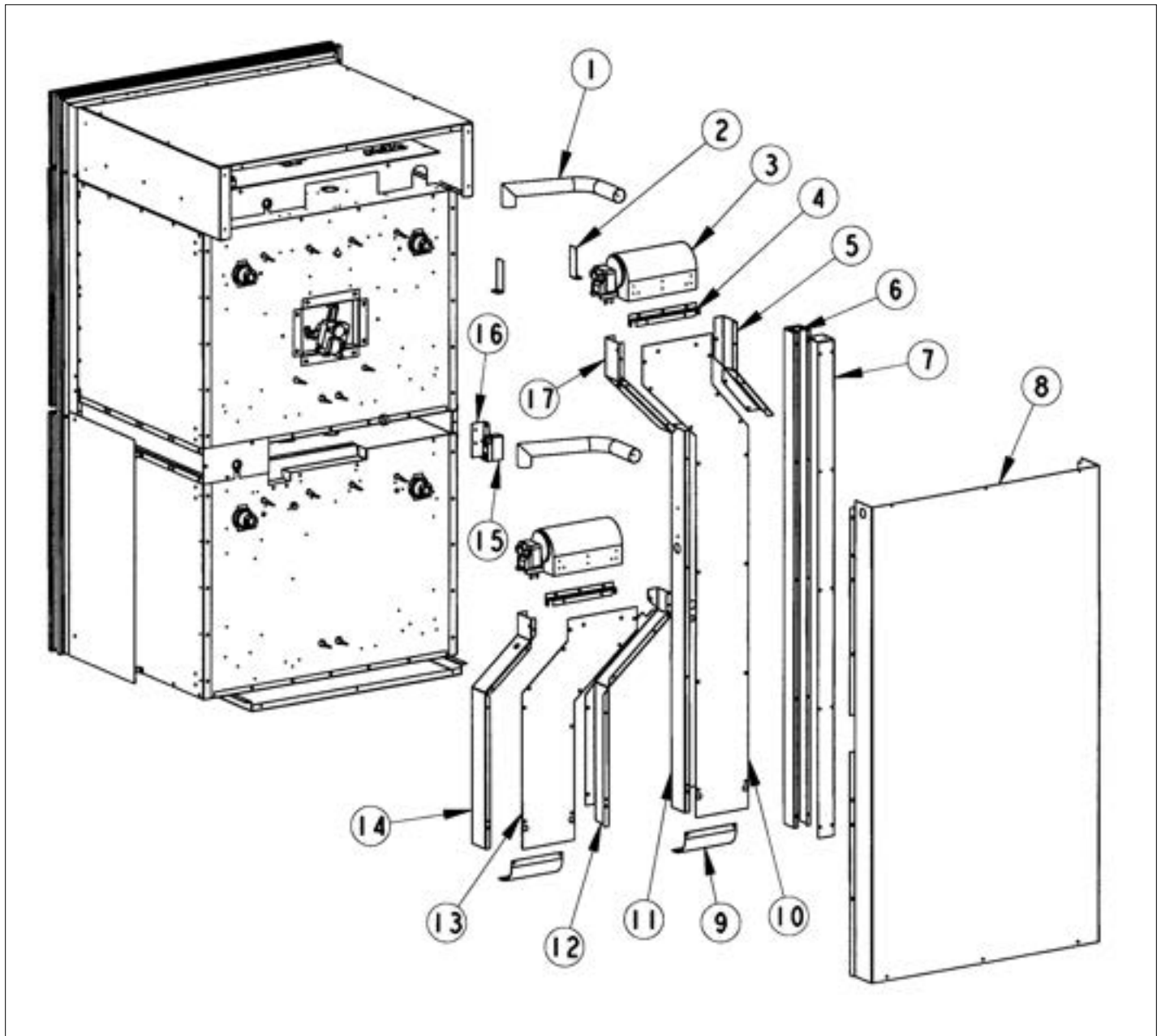


Item	Part No.	Name	Qty	Uom	NOTES
1	A2002168	DOOR LATCH BRKT (VDSC)	1	EA	
2	PE050053	DR LATCH REPL PE050020	1	EA	
Comments for Part Num. PE050053					
profixappliances@gmail.com on Oct 8, 2019					
UNIT DEDO200SS, 121203C0000000562 - USES SELF CLEAN LATCH PE050112 WITH HOOK POINTED "DOWN"					
3	PE050059	HI-LIMIT SWITCH	1	EA	
4	A2006102	UPPER VENT BRACKET	1	EA	
5	NOT REPLACABLE	TOP INSULATION RETAINER	1	EA	
6	B2004311	BROILER TOP (27") (VESO176/DO276)	1	EA	NO LONGER AVAILABLE
7	PM010014	SMOKE ELIMINATOR (VDSC)	1	EA	
8	E9104302	OVEN TOP (VEDO276/VESO176)	1	EA	NO LONGER AVAILABLE, Not available online / Call for pricing and availability
9	A1006105	R.H. LOWER REAR COVER	1	EA	NO LONGER AVAILABLE, Not available online / Call for pricing and availability
10	PD040005	SNAP BUSHING - 7/8"	1	EA	
11	A1006112	L.O. BACK INSULATION PANEL 27"	1	EA	NO LONGER AVAILABLE, Not available online / Call for pricing and availability
12	A2006088	OVEN MOUNTING BRACKET	1	EA	NO LONGER AVAILABLE
13	G9102736	OVEN SIDE ASSY (VDSC)	1	EA	NO LONGER AVAILABLE, Not available online / Call for pricing and availability
14	NOT REPLACABLE	OVEN BOTTOM ASSEMBLY	1	EA	
15	NOT REPLACABLE	BOTTOM INSULATION RETAINER	1	EA	
16	NOT REPLACABLE	OVEN BOTTOM VENT	1	EA	
17	PC020016	HINGE RECEIVER (VEDO/VEDO)	1	EA	
18	H9106145	SUB TO H9107468 - 27 INCH F.F. ASSEMBLY (DEDO270)	1	EA	NO LONGER AVAILABLE



Item	Part No.	Name	Qty	Uom	NOTES
19	PJ010012	BAKE ELEMENT (VESO176/VEDO276)240V	1	EA	
20	031449-000	LAMP, ASM	1	EA	
21	PJ010001	BROIL ELEMENT 240V	1	EA	
22	PJ010011	OUTSIDE BROIL ELEMENT (27" OVEN)240	1	EA	
23	B2004315	BROIL ELEMENT BRKT (VESO176/DO276)	1	EA	NO LONGER AVAILABLE, Not available online / Call for pricing and availability
24	PJ030006	SWITCH (COOLING FAN)	1	EA	
25	A2004307	REAR OVEN SUPPORT (VESO176/DO276)	1	EA	NO LONGER AVAILABLE, Not available online / Call for pricing and availability
26	A2006327	MIDDLE BACK VENT	1	EA	NO LONGER AVAILABLE, Not available online / Call for pricing and availability

REAR PANEL ASSY



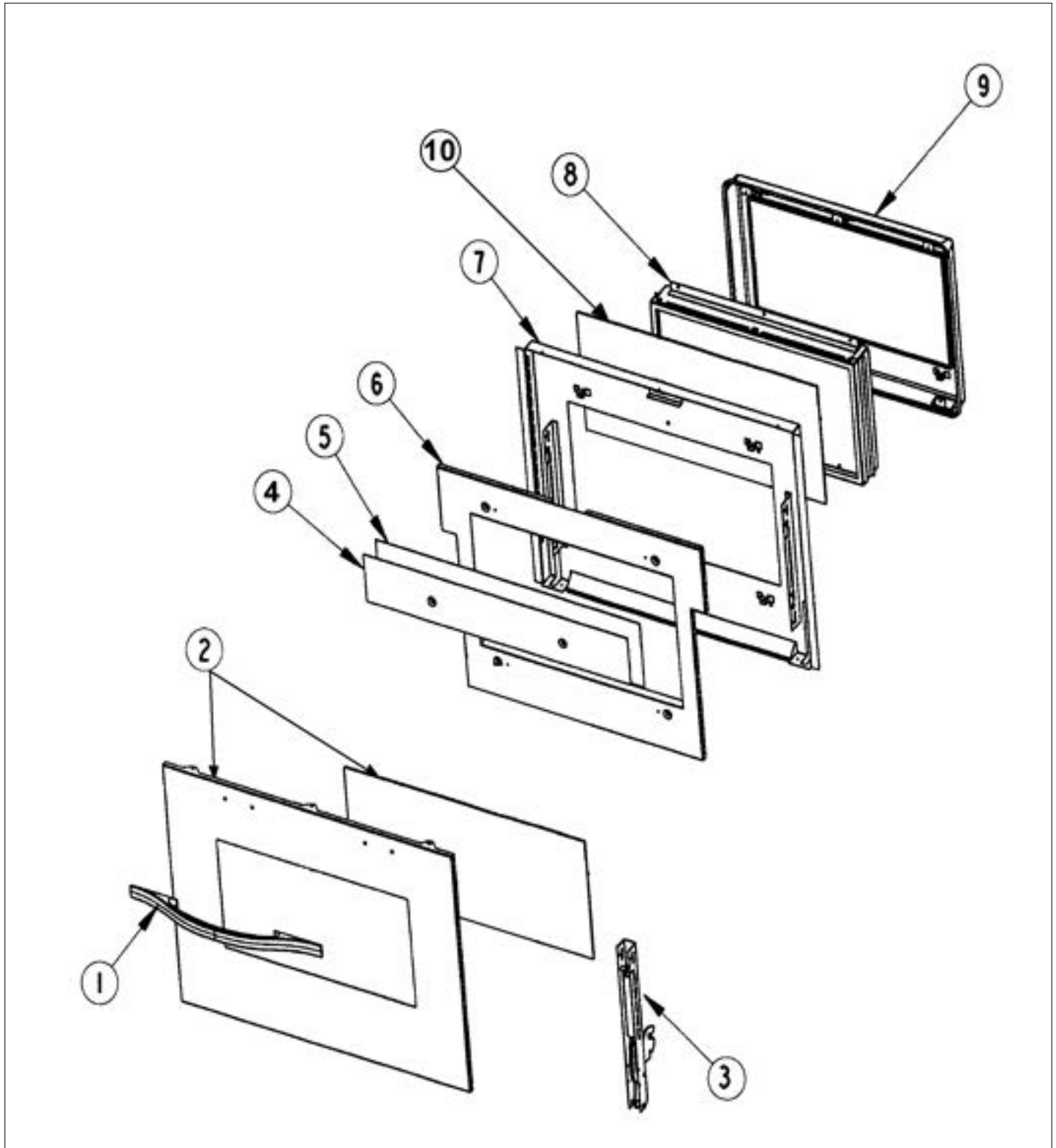


Item	Part No.	Name	Qty	Uom	NOTES
1	PB020117	DESIGNER OVEN VENT	1	EA	NO LONGER AVAILABLE
2	A2006183	AIR GUIDE	1	EA	NO LONGER AVAILABLE, Not available online / Call for pricing and availability
3	PE050087	BLOWER ASSEMBLY - DESIGNER SERIES	1	EA	
4	A2006048	FAN MOUNTING BRACKET	1	EA	NO LONGER AVAILABLE, Not available online / Call for pricing and availability
5	A2006324	VENT SIDE LH	1	EA	NO LONGER AVAILABLE, Not available online / Call for pricing and availability
6	A2006181	DOUBLE OVEN FLUE	1	EA	NO LONGER AVAILABLE, Not available online / Call for pricing and availability
7	A2006180	DOUBLE OVEN FLUE COVER	1	EA	NO LONGER AVAILABLE, Not available online / Call for pricing and availability
8	A2006113	27 INCH DOUBLE REAR COVER (DEDO270)	1	EA	NO LONGER AVAILABLE, Not available online / Call for pricing and availability
9	A2006182	AIR SCOOP	1	EA	NO LONGER AVAILABLE
10	A1006179	DOUBLE VENT COVER PLATE	1	EA	NO LONGER AVAILABLE, Not available online / Call for pricing and availability
11	A2006199	LOWER AIR VENT	1	EA	NO LONGER AVAILABLE, Not available online / Call for pricing and availability
12	A2006322	LOWER VENT SIDE RH	1	EA	NO LONGER AVAILABLE, Not available online / Call for pricing and availability



Item	Part No.	Name	Qty	Uom	NOTES
13	A1006178	LOWER VENT COVER PLATE	1	EA	NO LONGER AVAILABLE, Not available online / Call for pricing and availability
14	A2006321	LOWER VENT SIDE RH	1	EA	NO LONGER AVAILABLE, Not available online / Call for pricing and availability
15	PJ030002	AUTO RESET (SELF-CLEAN) VDSC	1	EA	
16	A2006187	AUTO RESET BRACKET	1	EA	NO LONGER AVAILABLE, Not available online / Call for pricing and availability
17	A2006323	VENT SIDE RH	1	EA	NO LONGER AVAILABLE, Not available online / Call for pricing and availability

UPPER DOOR ASSY



Item	Part No.	Name	Qty	Uom	NOTES
1	PE030090	HANDLE - SS	1	EA	Not available online / Call for pricing and availability
Not Shown	PE030090PVD	DOOR HANDLE 27" *BR* PVD	1	EA	NO LONGER AVAILABLE, Not available online / Call for pricing and availability
2	N/A*	O/S DOOR PANEL ASSY (BEFORE 2/15/02)	1	EA	
Not Shown	G5008436BK	O/S DOOR PANEL ASSY - BK (AFTER 2/15/02)	1	EA	Not available online / Call for pricing and availability
Not Shown	G5008436BT	O/S DOOR PANEL ASSY - BT (AFTER 2/15/02)	1	EA	Not available online / Call for pricing and availability
Not Shown	G5008436GG	O/S DOOR PANEL ASSY - GG (AFTER 2/15/02)	1	EA	Not available online / Call for pricing and availability
Not Shown	G5008436SG	O/S DOOR PANEL ASSY - SG (AFTER 2/15/02)	1	EA	Not available online / Call for pricing and availability
Not Shown	G5008436SS	O/S DOOR PANEL ASSY - SS (AFTER 2/15/02)	1	EA	Not available online / Call for pricing and availability
Not Shown	G5008436WH	O/S DOOR PANEL ASSY - WH (AFTER 2/15/02)	1	EA	Not available online / Call for pricing and availability
3	N/A*	DOOR HINGE (BEFORE 2/15/02)	1	EA	
PC020139	006072-000	HINGE, DOOR, ASM, MANSFIELD, DES, GREEN SPRING	1	EA	
Comments for Part Num. 006072-000  bradleysapplianceservice@shaw.ca on Sep 13, 2017 SUBS TO: 006072-000 OVEN DOOR HINGE - GREEN SPRING					
4	A1006198	OUTER DOOR HEAT SHEILD 27	1	EA	
5	A1006197	INNER DOOR HEAT SHEILD 27	1	EA	

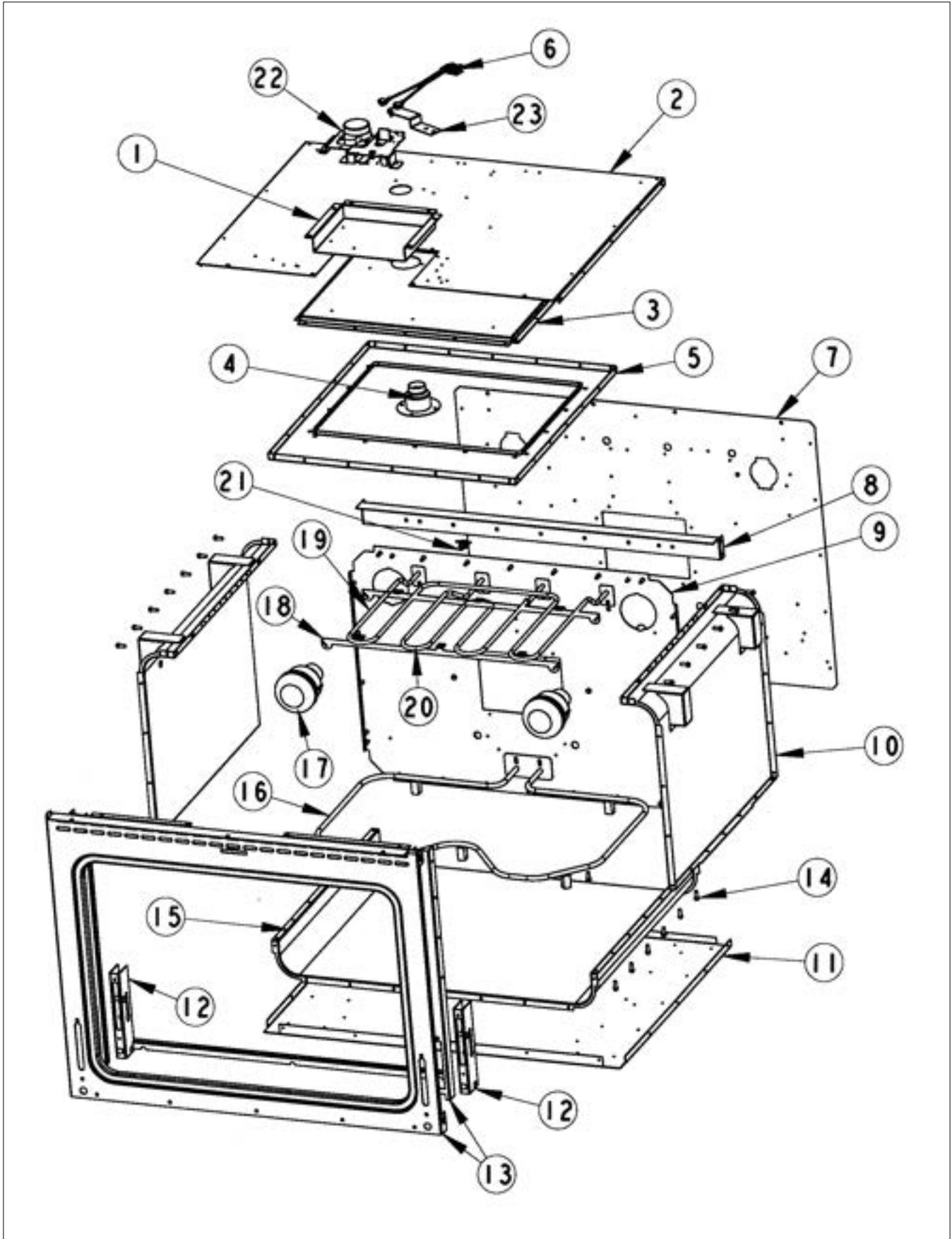


Item	Part No.	Name	Qty	Uom	NOTES
6	E9106007	27 INCH DOOR INSULATION RETAINER	1	EA	NO LONGER AVAILABLE, Not available online / Call for pricing and availability
7	N/A*	DOOR LINER ASSY (BEFORE 2/15/02)	1	EA	
Not Shown	H9107909	DOOR LINER ASSY (AFTER 2/15/02)	1	EA	Not available online / Call for pricing and availability
8	G3206150	27 INCH DESIGNER GLASS PACK ASSY	1	EA	
9	H9106008	DOOR PLUG ASSEMBLY	1	EA	
10	PE060056	27" GLASS PACK GLASS H.T.	1	EA	
NI	PB070092	BOARD INSULATION 27"	1	EA	
NI	N/A*	COMPLETE DOOR ASSY (BEFORE 2/15/02)	1	EA	
NI	G3207438BK	COMPLETE DOOR ASSY - BK (AFTER 2/15/02)	1	EA	Not available online / Call for pricing and availability
Not Shown	G3207438BKBR	COMPLETE DOOR ASSY - BKBR (AFTER 2/15/02)	1	EA	Not available online / Call for pricing and availability
Not Shown	G3207438BT	COMPLETE DOOR ASSY - BT (AFTER 2/15/02)	1	EA	Not available online / Call for pricing and availability
Not Shown	G3207438BTBR	COMPLETE DOOR ASSY - BTBR (AFTER 2/15/02)	1	EA	Not available online / Call for pricing and availability
Not Shown	G3207438GG	COMPLETE DOOR ASSY - GG (AFTER 2/15/02)	1	EA	Not available online / Call for pricing and availability
Not Shown	G3207438GGBR	COMPLETE DOOR ASSY - GGBR (AFTER 2/15/02)	1	EA	Not available online / Call for pricing and availability
Not Shown	G3207438SG	COMPLETE DOOR ASSY - SG (AFTER 2/15/02)	1	EA	Not available online / Call for pricing and availability



Item	Part No.	Name	Qty	Uom	NOTES
Not Shown	G3207438SGBR	COMPLETE DOOR ASSY - SGBR (AFTER 2/15/02)	1	EA	Not available online / Call for pricing and availability
Not Shown	G3207438SS	COMPLETE DOOR ASSY - SS (AFTER 2/15/02)	1	EA	Not available online / Call for pricing and availability
Not Shown	G3207438SSBR	COMPLETE DOOR ASSY - SSBR (AFTER 2/15/02)	1	EA	Not available online / Call for pricing and availability
Not Shown	G3207438WH	COMPLETE DOOR ASSY - WH (AFTER 2/15/02)	1	EA	Not available online / Call for pricing and availability
Not Shown	G3207438WHBR	COMPLETE DOOR ASSY - WHBR (AFTER 2/15/02)	1	EA	Not available online / Call for pricing and availability
NI	PD020032	SRW-8(A)X3/8"PH.WFR HD 7/16DIA*NICL	1	EA	
NI	B1007913	HINGE CLIP (DESIGNER TIME PIECE)	1	EA	

## UPPER OVEN ASSY



Item	Part No.	Name	Qty	Uom	NOTES
1	A2002168	DOOR LATCH BRKT (VDSC)	1	EA	
2	NOT REPLACABLE	TOP INSULATION RETAINER	1	EA	
3	B2004311	BROILER TOP (27") (VESO176/DO276)	1	EA	NO LONGER AVAILABLE
4	PM010014	SMOKE ELIMINATOR (VDSC)	1	EA	
5	E9104302	OVEN TOP (VEDO276/VESO176)	1	EA	NO LONGER AVAILABLE, Not available online / Call for pricing and availability
6	PE050059	HI-LIMIT SWITCH	1	EA	
7	NOT REPLACABLE	BACK INSULATION RETAINER	1	EA	
8	A2004307	REAR OVEN SUPPORT (VESO176/DO276)	1	EA	NO LONGER AVAILABLE, Not available online / Call for pricing and availability
9	NOT REPLACABLE	OVEN BACK	1	EA	
10	NOT REPLACABLE	OVEN SIDE ASSEMBLY	1	EA	
11	NOT REPLACABLE	BOTTOM INSULATION RETAINER	1	EA	
12	PC020016	HINGE RECEIVER (VEDO/VEDO)	1	EA	
13	H9106146	27 INCH DESIGNER F.F. ASSEMBLY	1	EA	NO LONGER AVAILABLE, Not available online / Call for pricing and availability
14	PD020060	10 X 1/2" (5/16)HEX WSHR HD.(T)A	1	EA	
15	NOT REPLACABLE	OVEN BOTTOM ASSEMBLY	1	EA	
16	PJ010012	BAKE ELEMENT (VESO176/VEDO276)240V	1	EA	
17	031449-000	LAMP, ASM	1	EA	
18	B2004315	BROIL ELEMENT BRKT (VESO176/DO276)	1	EA	NO LONGER AVAILABLE, Not available online / Call for pricing and availability
19	PJ010011	OUTSIDE BROIL ELEMENT (27" OVEN)240	1	EA	
20	PJ010001	BROIL ELEMENT 240V	1	EA	
21	PJ030006	SWITCH (COOLING FAN)	1	EA	



Item	Part No.	Name	Qty	Uom	NOTES
22	PE050053	DR LATCH REPL PE050020	1	EA	
Comments for Part Num. PE050053  profixappliances@gmail.com on Oct 8, 2019 UNIT DEDO200SS, 121203C0000000562 - USES SELF CLEAN LATCH PE050112 WITH HOOK POINTED "DOWN"					
23	A2006102	UPPER VENT BRACKET	1	EA	



Appendix A:Pages Index

CONTROL PANEL - CABINET ASSY ..... 1  
CONVECTION FAN ASSY ..... 2  
FUNCTIONAL PARTS ..... 3  
LOWER DOOR ASSY ..... 4  
LOWER OVEN ASSY ..... 5  
REAR PANEL ASSY ..... 6  
UPPER DOOR ASSY ..... 7  
UPPER OVEN ASSY ..... 8



## Appendix B:Parts Index

006072-000	4, 7	A2006323	6
031449-000	5, 8	A2006324	6
A1002456	1	A2006327	5
A1002596	2	A2008467	2
A1006105	5	B1007913	4, 7
A1006112	5	B2004311	5, 8
A1006178	6	B2004315	5, 8
A1006179	6	B2006193	2
A1006197	4, 7	B2006194	2
A1006198	4, 7	B9206140	1
A2001361	2	B9207963	1
A2001746	2	C9206140BK	1
A2002168	5, 8	C9206140BT	1
A2002595	2	C9206140GG	1
A2002904	2	C9206140SG	1
A2004307	5, 8	C9206140WH	1
A2006048	6	C9207963BK	1
A2006088	5	C9207963BT	1
A2006098	1	C9207963GG	1
A2006099	1	C9207963SG	1
A2006100	1	C9207963WH	1
A2006101	1	E9104302	5, 8
A2006102	5, 8	E9104309	2
A2006109	1	E9106007	4, 7
A2006113	6	E9106136	1
A2006114	1	G3006126	2
A2006122	1	G3206150	4, 7
A2006123	1	G3207438BK	7
A2006143	1	G3207438BKBR	7
A2006144	1	G3207438BT	7
A2006180	6	G3207438BTBR	7
A2006181	6	G3207438GG	7
A2006182	6	G3207438GGBR	7
A2006183	6	G3207438SG	7
A2006185	1	G3207438SGBR	7
A2006186	1	G3207438SS	7
A2006187	6	G3207438SSBR	7
A2006199	6	G3207438WH	7
A2006321	6	G3207438WHBR	7
A2006322	6	G3207967BK	4
		G3207967BKBR	4



G3207967BT	4	PB010204PVD	1
G3207967BTBR	4	PB010217	1
G3207967GG	4	PB010217PVD	1
G3207967GGBR	4	PB020117	6
G3207967SG	4	PB060030	2
G3207967SGBR	4	PB060048	2
G3207967SS	4	PB070092	4, 7
G3207967SSBR	4	PC020016	5, 8
G3207967WH	4	PD020032	4, 7
G3207967WHBR	4	PD020060	8
G4008423	1	PD030033	1
G5008296BK	4	PD040005	1, 5
G5008296BT	4	PE030090	4, 7
G5008296GG	4	PE030090PVD	4, 7
G5008296SG	4	PE050005	2, 3
G5008296SS	4	PE050049	1, 3
G5008296WH	4	PE050053	3, 5, 8
G5008436BK	7	PE050059	3, 5, 8
G5008436BT	7	PE050073	1
G5008436GG	7	PE050087	3, 6
G5008436SG	7	PE060056	4, 7
G5008436SS	7	PE070147	1, 3
G5008436WH	7	PE070148	1, 3
G9102736	5	PJ010001	5, 8
H9106008	4, 7	PJ010002	3
H9106145	5	PJ010003	2, 3
H9106146	8	PJ010004	3
H9107909	4, 7	PJ010011	3, 5, 8
PA010091PVD	1	PJ010012	3, 5, 8
PA010092PVD	1	PJ030001	1, 3
PA010093	1	PJ030002	1, 3, 6
PA010093PVD	1	PJ030003	1, 3
PA010095	1	PJ030006	3, 5, 8
PA010095PVD	1	PJ030010	1, 3
PA010110	1	PJ030012	1, 3
PA010194	1	PM010014	5, 8
PB010196	1	PM010029	1, 1, 3
PB010196PVD	1		
PB010198	1		
PB010198PVD	1		
PB010204	1		