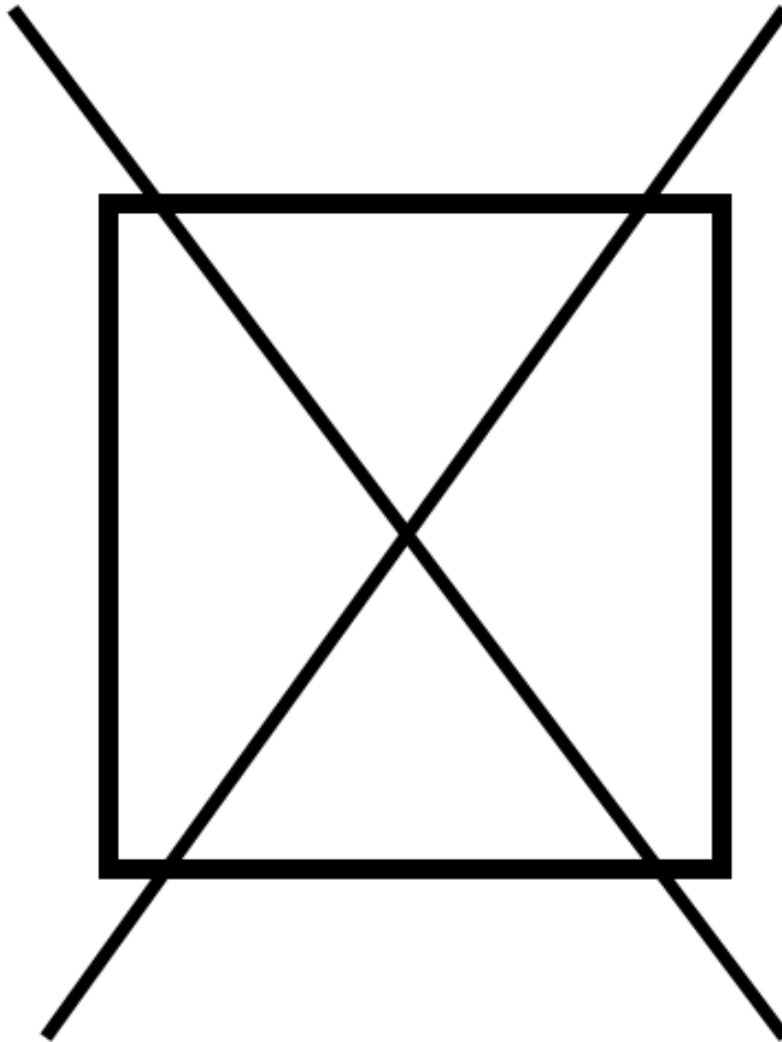


CDES0100

CABINET ASSEMBLY	1
CONVECTION FAN ASSY	2
DOOR ASSEMBLY	3
FUNCTIONAL PARTS	4
OVEN ASSEMBLY	5
REAR PANEL ASSY	6
Appendix A:Pages Index	A
Appendix B:Parts Index	B

NON
ILLUSTRATED PART



Item	Part No.	Name	Qty	Uom	NOTES
1	A2006173	DESIGNER OVEN CABINET TOP	1	EA	NO LONGER AVAILABLE, Not available online / Call for pricing and availability
2	A2006172	30" TOP REAR COVER	1	EA	NO LONGER AVAILABLE, Not available online / Call for pricing and availability
3	A2002966	TOP CHANNEL (VESO105)	1	EA	NO LONGER AVAILABLE, Not available online / Call for pricing and availability
4	A2006171	CABINET SIDE RH	1	EA	NO LONGER AVAILABLE, Not available online / Call for pricing and availability
5	PE070147	TERMINAL BLOCK (VDSC)	1	EA	
6	PD040005	SNAP BUSHING - 7/8"	1	EA	
7	NOT REPLACABLE	SANDWICH PANEL BOTTOM	1	EA	
8	NOT REPLACABLE	SANDWICH PANEL TOP	1	EA	
9	A2006184	FRONT SANDWICH PANEL ANGLE 30	1	EA	NO LONGER AVAILABLE
10	G4008423	DESIGNER OVEN LIGHT SWITCH ASSY	1	EA	
11	A2006101	OVEN LIGHT SWITCH BRACKET	1	EA	
12	PJ030003	THERMOSTAT (SELF CLEAN) VDSC	1	EA	
<p>Comments for Part Num. PJ030003</p> <p>boltz on Nov 21, 2017 See Bulletin 2005-03 Reply by steves@bendbroadband.com on Apr 10, 2018 what bulletin? bulletin should linked here. Reply by bradleysapplianceservice@shaw.ca on Sep 27, 2018 If you have access to Documoto then all you have to do is either run the part number PJ030003 or service bulletin number 2005-03AS in the main search field and all your answer will be there. It's Simple.</p>					
13	A2006144	CONTROL MOUNT BRACKET	1	EA	
14	B9206139	CONTROL PANEL - DESO 100 (SS)	1	EA	

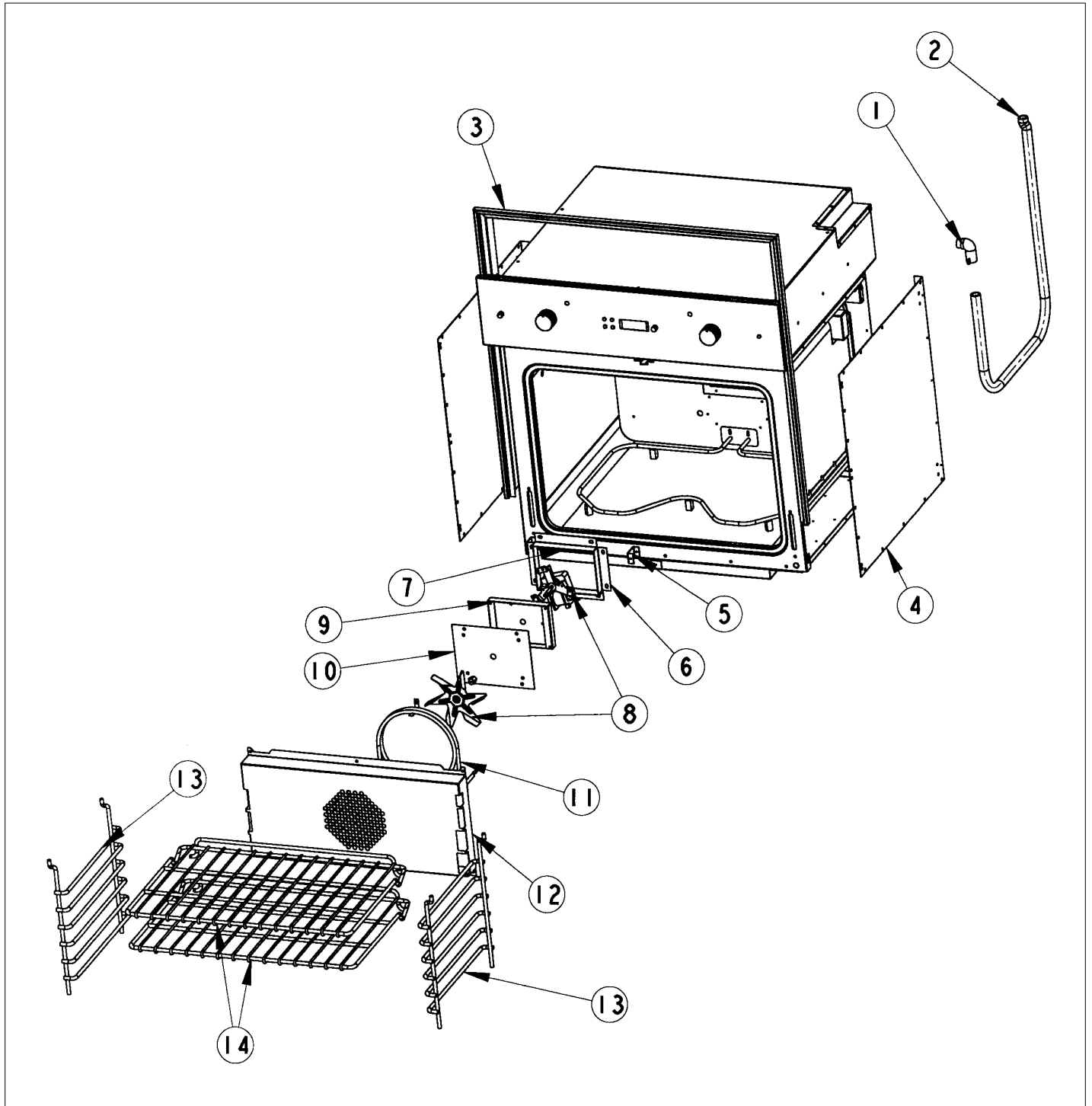
Item	Part No.	Name	Qty	Uom	NOTES
Not Shown	C9206139BK	CTRL PAN DESO100 *BK* SLK. SC.	1	EA	NO LONGER AVAILABLE
Not Shown	C9206139BT	CTRL PAN DESO100 *BT* SLK. SC.	1	EA	NO LONGER AVAILABLE, Not available online / Call for pricing and availability
Not Shown	C9206139GG	CTRL PAN DESO100 *GG* SLK. SC.	1	EA	NO LONGER AVAILABLE, Not available online / Call for pricing and availability
Not Shown	C9206139SG	CTRL PAN DESO100 *SG* SLK. SC.	1	EA	NO LONGER AVAILABLE
Not Shown	C9206139WH	CTRL PAN DESO100 *WH* SLK. SC.	1	EA	NO LONGER AVAILABLE
Not Shown	B9207960	CONTROL PANEL 30 SGL	1	EA	
Not Shown	C9207960BK	CTRL PANEL 30 SGL *BK* SLK. SC.	1	EA	NO LONGER AVAILABLE, Not available online / Call for pricing and availability
Not Shown	C9207960BT	CTRL PANEL 30 SGL *BT* SLK. SC.	1	EA	NO LONGER AVAILABLE, Not available online / Call for pricing and availability
Not Shown	C9207960GG	CTRL PANEL 30 SGL *GG* SLK. SC.	1	EA	NO LONGER AVAILABLE
Not Shown	C9207960SG	CTRL PANEL 30 SGL *SG* SLK. SC.	1	EA	NO LONGER AVAILABLE
Not Shown	C9207960WH	CTRL PANEL 30 SGL *WH* SLK. SC.	1	EA	NO LONGER AVAILABLE
15	PA010093	DESIGNER OVEN LT SWITCH KNOB	1	EA	
Not Shown	PA010093PVD	DESIGNER OVEN LT SWITCH KNOB-BRASS	1	EA	
16	PB010196	DESIGNER THERMOSTAT KNOB	1	EA	
Not Shown	PB010196PVD	DESIGNER THERMOSTAT KNOB W/BRASS	1	EA	
Not Shown	PB010204	DESIGNER THERMOSTAT KNOB - GRAY	1	EA	
Not Shown	PB010204PVD	DESIGNER THERMOSTAT KNOB -BR/GRAY	1	EA	
17	PB010198	BIT GENERATOR KNOB	1	EA	

Item	Part No.	Name	Qty	Uom	NOTES
Not Shown	PB010198PVD	BIT GENERATOR KNOB - BR	1	EA	
18	PE050073	DESIGNER INDICATOR LT	1	EA	
19	PA010194	DES. SELECTOR/THERMOSTAT KNOB	1	EA	
Not Shown	PA010091PVD	DESIGNER SELECTOR KNOB - BR	1	EA	
Not Shown	PA010095	DESIGNER SELECTOR KNOB - GRAY	1	EA	
Not Shown	PA010095PVD	DESIGNER SELECTOR KNOB- BR/GRAY	1	EA	
20	PA010110	DESIGNER OVEN SELECTOR KNOB REPL PA010092	1	EA	
Not Shown	PA010092PVD	DESIGNER OVEN SELECTOR KNOB - BRASS	1	EA	NO LONGER AVAILABLE
21	E9106135	CONTROL MOUNTING PANEL 30	1	EA	Not available online / Call for pricing and availability
22	A2006100	THREE POSITION SELECTOR BRKT	1	EA	
23	PJ030011	SWITCH (2-POSITION) VESO105	1	EA	
24	A2006123	CABINET SIDE LH	1	EA	
25	A2006109	SELECTOR SWITCH COVER	1	EA	NO LONGER AVAILABLE, Not available online / Call for pricing and availability
26	PE050049	CLOCK/TIMER(ROBERTSHAW# 100-00550-01	1	EA	NO LONGER AVAILABLE
27	PJ030001	SELECTOR SWITCH (8- POSITION) VDSC	1	EA	NO LONGER AVAILABLE
28	A2006186	POWER RELAY BRACKET	1	EA	NO LONGER AVAILABLE, Not available online / Call for pricing and availability
29	PM010029	RELAY (DOUBLE POLE- DOUBLE THROW)TEM	1	EA	
30	A1002456	THERMO-DISC BRKT (VDSC)	1	EA	
31	PJ030002	AUTO RESET (SELF-CLEAN) VDSC	1	EA	
32	PM010129	RELAY	1	EA	



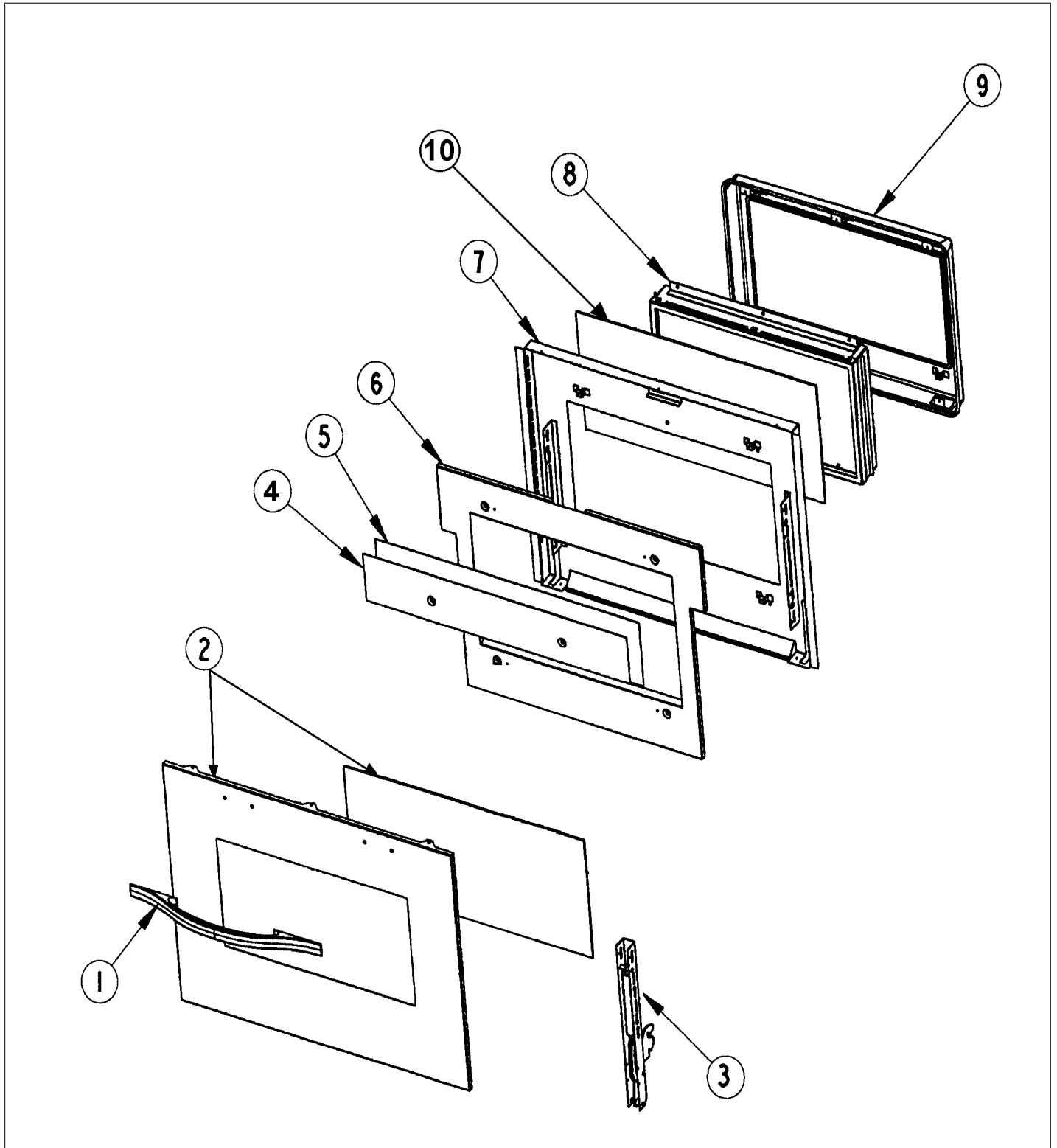
Item	Part No.	Name	Qty	Uom	NOTES
33	A2006099	TIMER BOARD BRACKET	1	EA	NO LONGER AVAILABLE, Not available online / Call for pricing and availability
34	PD030033	GROMMET NUT-ROUND HD. #8 X .500DIA.	1	EA	
35	PE070148	SELF-CLEAN BOARD/TIMER (VDSC)	1	EA	
36	PB010197	DESIGNER CLOCK BUTTON	1	EA	
Not Shown	PB010197PVD	DESIGNER CLOCK BUTTON - BR	1	EA	
37	A2006098	CLOCK MOUNTING BRACKET	1	EA	NO LONGER AVAILABLE

CONVECTION FAN ASSY



Item	Part No.	Name	Qty	Uom	NOTES
1	PB040070	CONDUIT FITTING (90 DEG)	1	EA	
2	PB020071	CONDUIT - FLEXIBLE (48")	1	EA	
3	G3006125	FRONT TRIM ASSY 30 SINGLE	1	EA	
4	A2002904	SIDE INSULATION RETAINER	1	EA	NO LONGER AVAILABLE, Not available online / Call for pricing and availability
5	A2001361	BACK SPACER (VGSC/VGSS)	1	EA	
6	A2008467	INSULATION SHIELD	1	EA	
7	A2001746	SIDE FAN SHIELD	1	EA	Not available online / Call for pricing and availability
8	PE050005	CONVECTION FAN ASSY	1	EA	
9	A2002595	CONVECTION FAN BOX (VDSC)	1	EA	
10	A1002596	CONVECTION FAN COVER (VDSC)	1	EA	
11	PJ010003	CONVECTION ELEMENT (VDSC) 240V	1	EA	NO LONGER AVAILABLE
12	E9102170	CONVECTION FAN COVER	1	EA	
13	PB060030	RACK SUPT REPL PB060010	1	EA	
14	PB060044	OVEN RK VDSC30/48RH REPL PB060019	1	EA	

DOOR ASSEMBLY



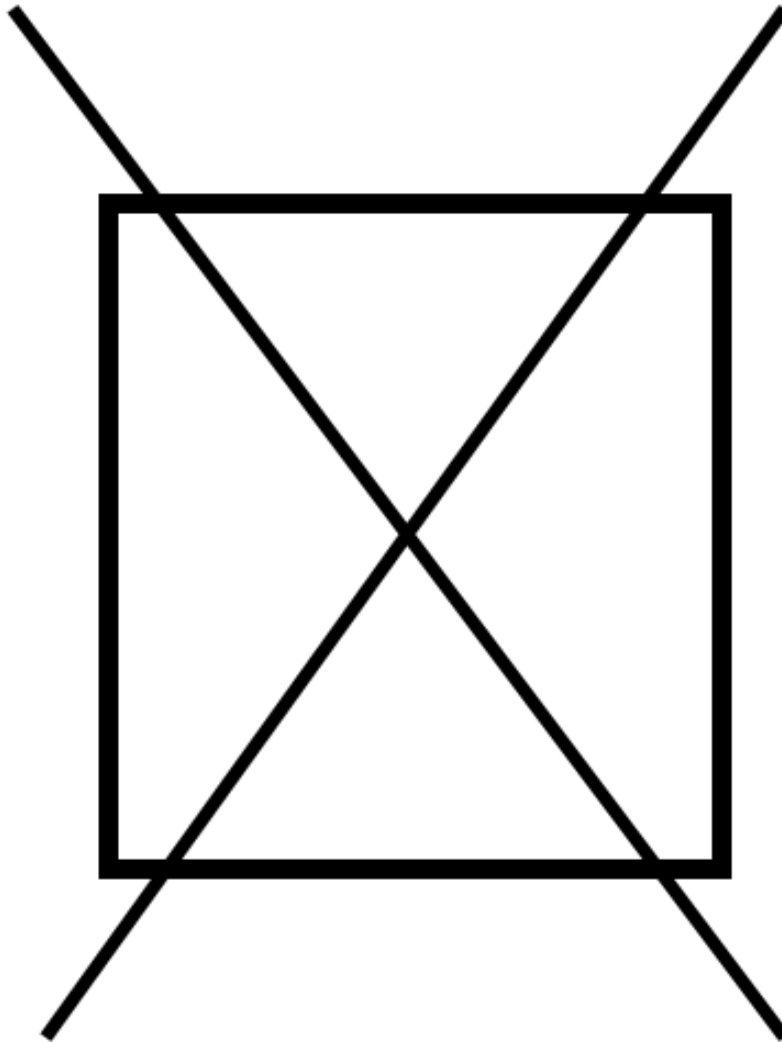
Item	Part No.	Name	Qty	Uom	NOTES
1	PE030167	30" DOOR HANDLE	1	EA	
Not Shown	PE030089PVD	DOOR HANDLE 30" *BR* PVD	1	EA	NO LONGER AVAILABLE
2	N/A*	O/S DOOR PANEL ASSY (BEFORE 2/15/02)	1	EA	
Not Shown	G5008435BK	O/S DOOR PANEL ASSY - BK (AFTER 2/15/02)	1	EA	Not available online / Call for pricing and availability
Not Shown	G5008435BT	O/S DOOR PANEL ASSY - BT (AFTER 2/15/02)	1	EA	Not available online / Call for pricing and availability
Not Shown	G5008435GG	O/S DOOR PANEL ASSY - GG (AFTER 2/15/02)	1	EA	Not available online / Call for pricing and availability
Not Shown	G5008435SG	O/S DOOR PANEL ASSY - SG (AFTER 2/15/02)	1	EA	Not available online / Call for pricing and availability
Not Shown	G5008435SS	O/S DOOR PANEL ASSY - SS (AFTER 2/15/02)	1	EA	Not available online / Call for pricing and availability
Not Shown	G5008435WH	O/S DOOR PANEL ASSY - WH (AFTER 2/15/02)	1	EA	Not available online / Call for pricing and availability
3	N/A*	DOOR HINGE (BEFORE 2/15/02)	1	EA	
PC020139	006072-000	HINGE, DOOR, ASM, MANSFIELD, DES, GREEN SPRING	1	EA	
<p>Comments for Part Num. 006072-000</p> <p>bradleysapplianceservice@shaw.ca on Sep 13, 2017</p> <p>SUBS TO: 006072-000 OVEN DOOR HINGE - GREEN SPRING</p>					
4	A1006196	OUTER DOOR HEAT SHIELD 30	1	EA	Not available online / Call for pricing and availability
5	A1006195	INNER DOOR HEAT SHIELD 30	1	EA	
6	A2006016	30 INCH DESIGNER DOOR INSULATION	1	EA	Not available online / Call for pricing and availability

Item	Part No.	Name	Qty	Uom	NOTES
7	N/A*	DOOR LINER ASSEMBLY (BEFORE 2/15/02)	1	EA	
Not Shown	H9107910	DOOR LINER ASSEMBLY (AFTER 2/15/02)	1	EA	Not available online / Call for pricing and availability
8	G3206151	30 INCH DESIGNER GLASS PACK ASSY	1	EA	
9	H9106017	DOOR PLUG ASSEMBLY	1	EA	Not available online / Call for pricing and availability
10	PE060057	30" GLASS PACK GLASS H.T.	1	EA	
NI	PB070093	BOARD INSULATION 30"	1	EA	
NI	N/A*	COMPLETE DOOR ASSY (BEFORE 2/15/02)	1	EA	
Not Shown	G3207439BK	COMPLETE DOOR ASSY - BK (AFTER 2/15/02)	1	EA	Not available online / Call for pricing and availability
Not Shown	G3207439BKBR	COMPLETE DOOR ASSY - BKBR (AFTER 2/15/02)	1	EA	Not available online / Call for pricing and availability
Not Shown	G3207439BT	COMPLETE DOOR ASSY - BT (AFTER 2/15/02)	1	EA	Not available online / Call for pricing and availability
Not Shown	G3207439BTBR	COMPLETE DOOR ASSY - BTBR (AFTER 2/15/02)	1	EA	Not available online / Call for pricing and availability
Not Shown	G3207439GG	COMPLETE DOOR ASSY - GG (AFTER 2/15/02)	1	EA	Not available online / Call for pricing and availability
Not Shown	G3207439GGBR	COMPLETE DOOR ASSY - GGBR (AFTER 2/15/02)	1	EA	Not available online / Call for pricing and availability
Not Shown	G3207439SG	COMPLETE DOOR ASSY - SG (AFTER 2/15/02)	1	EA	Not available online / Call for pricing and availability
Not Shown	G3207439SGBR	COMPLETE DOOR ASSY - SGBR (AFTER 2/15/02)	1	EA	Not available online / Call for pricing and availability

Item	Part No.	Name	Qty	Uom	NOTES
Not Shown	G3207439SS	COMPLETE DOOR ASSY - SS (AFTER 2/15/02)	1	EA	Not available online / Call for pricing and availability
Not Shown	G3207439SSBR	COMPLETE DOOR ASSY - SSBR (AFTER 2/15/02)	1	EA	Not available online / Call for pricing and availability
Not Shown	G3207439WH	COMPLETE DOOR ASSY - WH (AFTER 2/15/02)	1	EA	Not available online / Call for pricing and availability
Not Shown	G3207439WHBR	COMPLETE DOOR ASSY - WHBR (AFTER 2/15/02)	1	EA	Not available online / Call for pricing and availability
NI	PD020032	SRW-8(A)X3/8"PH.WFR HD 7/16DIA*NICL	1	EA	
NI	B1007913	HINGE CLIP (DESIGNER TIME PIECE)	1	EA	

FUNCTIONAL PARTS

NON
ILLUSTRATED PART



Item	Part No.	Name	Qty	Uom	NOTES
1	PJ030011	SWITCH (2-POSITION) VESO105	1	EA	
2	PJ030001	SELECTOR SWITCH (8- POSITION) VDSC	1	EA	NO LONGER AVAILABLE
3	PJ030002	AUTO RESET (SELF-CLEAN) VDSC	1	EA	
4	PJ010004	BAKE ELEMENT (VDSC) 240V	1	EA	
5	PJ010001	BROIL ELEMENT 240V	1	EA	
6	PE050049	CLOCK/TIMER(ROBERTSHAW# 100-00550-01	1	EA	NO LONGER AVAILABLE
7	PJ010003	CONVECTION ELEMENT (VDSC) 240V	1	EA	NO LONGER AVAILABLE
8	PE050087	BLOWER ASSEMBLY - DESIGNER SERIES	1	EA	
9	PE050059	HI-LIMIT SWITCH	1	EA	
10	PJ030006	SWITCH (COOLING FAN)	1	EA	
11	PJ010002	BROIL ELEMENT(MAXI)-SIDE (VDSC)240V	1	EA	
12	PM010029	RELAY (DOUBLE POLE- DOUBLE THROW)TEM	1	EA	
13	PM010129	RELAY	1	EA	
14	PE070148	SELF-CLEAN BOARD/TIMER (VDSC)	1	EA	
15	PE070147	TERMINAL BLOCK (VDSC)	1	EA	
16	PJ030003	THERMOSTAT (SELF CLEAN) VDSC	1	EA	

Comments for Part Num. PJ030003

boltz on Nov 21, 2017

See Bulletin 2005-03

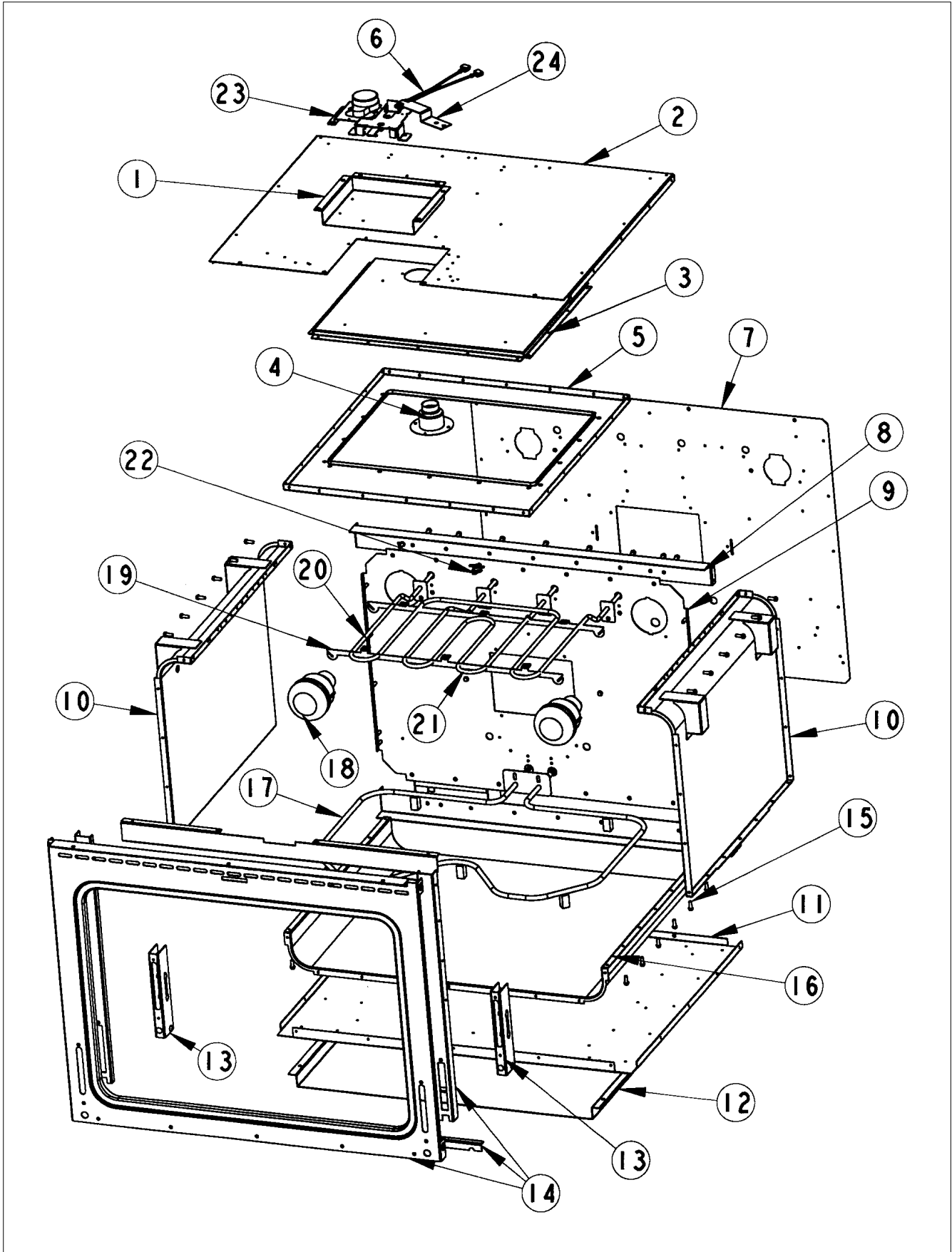
Reply by steves@bendbroadband.com on Apr 10, 2018

what bulletin? bulletin should linked here.

Reply by bradleysapplianceservice@shaw.ca on Sep 27, 2018

If you have access to Documoto then all you have to do is either run the part number PJ030003 or service bulletin number 2005-03AS in the main search field and all your answer will be there. It's Simple.

OVEN ASSEMBLY

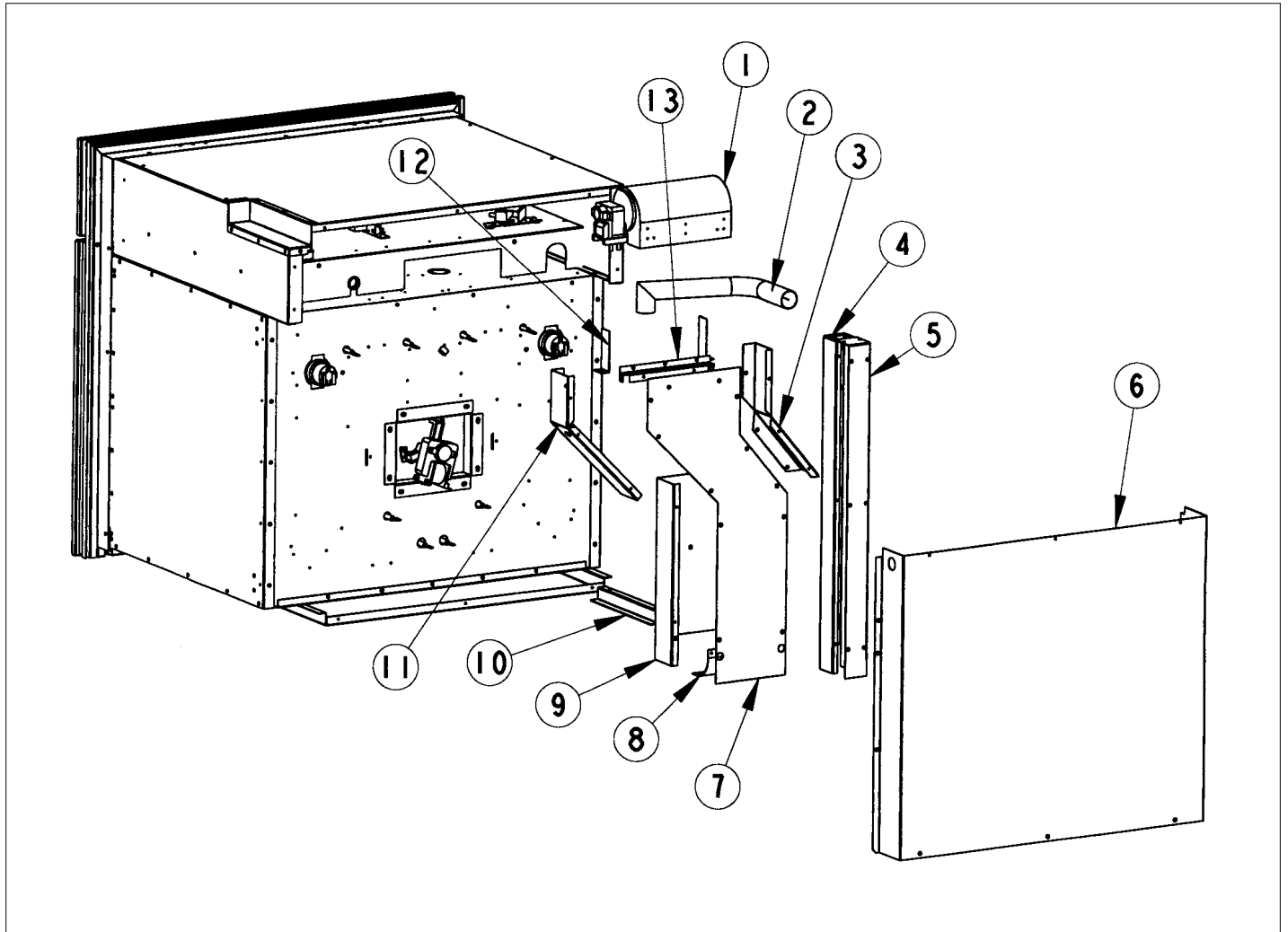


Item	Part No.	Name	Qty	Uom	NOTES
1	A2002168	DOOR LATCH BRKT (VDSC)	1	EA	
2	NOT REPLACEABLE	TOP INSULATION RETAINER	1	EA	
3	B2002167	BROILER TOP (VDSC)	1	EA	NO LONGER AVAILABLE
4	PM010014	SMOKE ELIMINATOR (VDSC)	1	EA	
5	E9102153	OVEN TOP (VDSC)	1	EA	NO LONGER AVAILABLE
6	PE050059	HI-LIMIT SWITCH	1	EA	
7	NOT REPLACEABLE	BACK INSULATION RETAINER	1	EA	
8	A2002158	REAR OVEN SUPT (VDSC)	1	EA	NO LONGER AVAILABLE, Not available online / Call for pricing and availability
9	NOT REPLACEABLE	OVEN BACK	1	EA	
10	NOT REPLACEABLE	OVEN SIDE ASSEMBLY	1	EA	
11	A2002961	BOTTOM INSULATION RETAINER(VEDO/SO)	1	EA	NO LONGER AVAILABLE
12	A2006005	OVEN BOTTOM VENT 30	1	EA	NO LONGER AVAILABLE, Not available online / Call for pricing and availability
13	PC020016	HINGE RECEIVER (VEDO/VEDO)	1	EA	
14	H9106118	30 INCH DESIGNER F.F. ASSEMBLY	1	EA	NO LONGER AVAILABLE
15	PD020060	10 X 1/2" (5/16)HEX WSHER HD.(T)A	1	EA	
16	NOT REPLACEABLE	OVEN BOTTOM ASSEMBLY	1	EA	
17	PJ010004	BAKE ELEMENT (VDSC) 240V	1	EA	
18	031449-000	LAMP, ASM	1	EA	
19	B2002185	BROIL ELEMENT BRKT (VDSC)	1	EA	
20	PJ010002	BROIL ELEMENT(MAXI)-SIDE (VDSC)240V	1	EA	
21	PJ010001	BROIL ELEMENT 240V	1	EA	
22	PJ030006	SWITCH (COOLING FAN)	1	EA	
23	PE050053	DR LATCH REPL PE050020	1	EA	



Item	Part No.	Name	Qty	Uom	NOTES
Comments for Part Num. PE050053					
profixappliances@gmail.com on Oct 8, 2019					
UNIT DEDO200SS, 121203C0000000562 - USES SELF CLEAN LATCH PE050112 WITH HOOK POINTED "DOWN"					
24	A2006102	UPPER VENT BRACKET	1	EA	

REAR PANEL ASSY



Item	Part No.	Name	Qty	Uom	NOTES
1	PE050087	BLOWER ASSEMBLY - DESIGNER SERIES	1	EA	
2	PB020117	DESIGNER OVEN VENT	1	EA	NO LONGER AVAILABLE
3	A2006324	VENT SIDE LH	1	EA	NO LONGER AVAILABLE, Not available online / Call for pricing and availability
4	A2006188	SINGLE OVEN FLUE	1	EA	NO LONGER AVAILABLE, Not available online / Call for pricing and availability
5	A2006189	SINGLE OVEN FLUE COVER	1	EA	NO LONGER AVAILABLE, Not available online / Call for pricing and availability
6	A2006110	30 INCH SINGLE REAR COVER	1	EA	NO LONGER AVAILABLE, Not available online / Call for pricing and availability
7	A1006190	SINGLE OVEN COVER PLATE	1	EA	NO LONGER AVAILABLE, Not available online / Call for pricing and availability
8	A2006182	AIR SCOOP	1	EA	NO LONGER AVAILABLE
9	A2006326	LOWER AIR VENT SINGLE	1	EA	NO LONGER AVAILABLE, Not available online / Call for pricing and availability
10	A2006325	LOWER VENT SEPARATOR	1	EA	NO LONGER AVAILABLE, Not available online / Call for pricing and availability
11	A2006323	VENT SIDE RH	1	EA	NO LONGER AVAILABLE, Not available online / Call for pricing and availability
12	A2006183	AIR GUIDE	1	EA	NO LONGER AVAILABLE, Not available online / Call for pricing and availability



Item	Part No.	Name	Qty	Uom	NOTES
13	A2006048	FAN MOUNTING BRACKET	1	EA	NO LONGER AVAILABLE, Not available online / Call for pricing and availability



Appendix A:Pages Index

CABINET ASSEMBLY 1
CONVECTION FAN ASSY 2
DOOR ASSEMBLY 3
FUNCTIONAL PARTS 4
OVEN ASSEMBLY 5
REAR PANEL ASSY 6



Appendix B:Parts Index

006072-000	3	A2008467	2
031449-000	5	B1007913	3
A1002456	1	B2002167	5
A1002596	2	B2002185	5
A1006190	6	B9206139	1
A1006195	3	B9207960	1
A1006196	3	C9206139BK	1
A2001361	2	C9206139BT	1
A2001746	2	C9206139GG	1
A2002158	5	C9206139SG	1
A2002168	5	C9206139WH	1
A2002595	2	C9207960BK	1
A2002904	2	C9207960BT	1
A2002961	5	C9207960GG	1
A2002966	1	C9207960SG	1
A2006005	5	C9207960WH	1
A2006016	3	E9102153	5
A2006048	6	E9102170	2
A2006098	1	E9106135	1
A2006099	1	G3006125	2
A2006100	1	G3206151	3
A2006101	1	G3207439BK	3
A2006102	5	G3207439BKBR	3
A2006109	1	G3207439BT	3
A2006110	6	G3207439BTBR	3
A2006123	1	G3207439GG	3
A2006144	1	G3207439GGBR	3
A2006171	1	G3207439SG	3
A2006172	1	G3207439SGBR	3
A2006173	1	G3207439SS	3
A2006182	6	G3207439SSBR	3
A2006183	6	G3207439WH	3
A2006184	1	G3207439WHBR	3
A2006186	1	G4008423	1
A2006188	6	G5008435BK	3
A2006189	6	G5008435BT	3
A2006323	6	G5008435GG	3
A2006324	6	G5008435SG	3
A2006325	6	G5008435SS	3
A2006326	6	G5008435WH	3
		H9106017	3



H9106118	5	PJ010002	4, 5
H9107910	3	PJ010003	2, 4
PA010091PVD	1	PJ010004	4, 5
PA010092PVD	1	PJ030001	1, 4
PA010093	1	PJ030002	1, 4
PA010093PVD	1	PJ030003	1, 4
PA010095	1	PJ030006	4, 5
PA010095PVD	1	PJ030011	1, 4
PA010110	1	PM010014	5
PA010194	1	PM010029	1, 4
PB010196	1	PM010129	1, 4
PB010196PVD	1		
PB010197	1		
PB010197PVD	1		
PB010198	1		
PB010198PVD	1		
PB010204	1		
PB010204PVD	1		
PB020071	2		
PB020117	6		
PB040070	2		
PB060030	2		
PB060044	2		
PB070093	3		
PC020016	5		
PD020032	3		
PD020060	5		
PD030033	1		
PD040005	1		
PE030089PVD	3		
PE030167	3		
PE050005	2		
PE050049	1, 4		
PE050053	5		
PE050059	4, 5		
PE050073	1		
PE050087	4, 6		
PE060057	3		
PE070147	1, 4		
PE070148	1, 4		
PJ010001	4, 5		