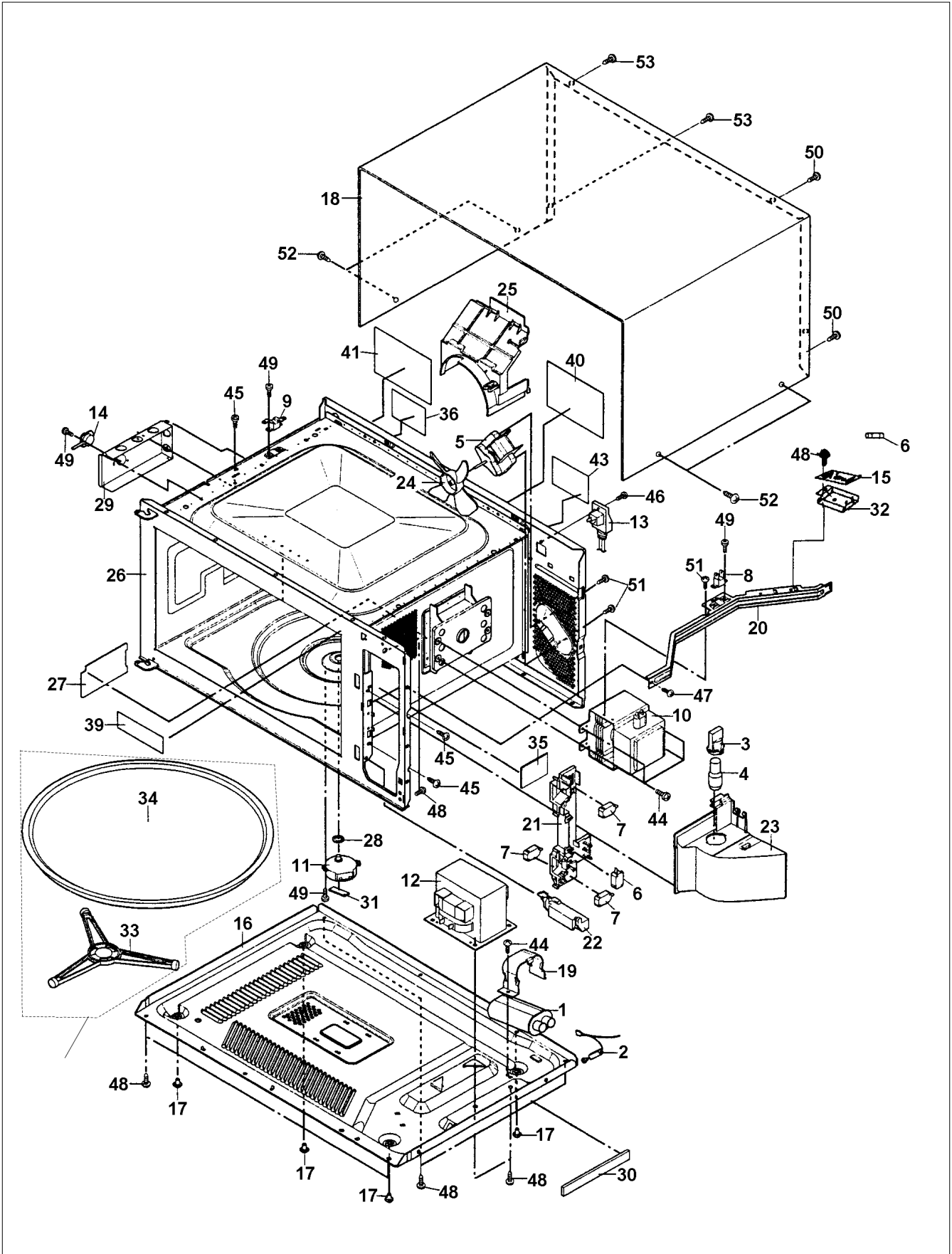


CDMOS200

| | |
|------------------------------|---|
| CABINET ASSEMBLY | 1 |
| CONTROL PANEL | 2 |
| DOOR ASSY | 3 |
| WIRING ASSY | 4 |
| Appendix A:Pages Index | A |
| Appendix B:Parts Index | B |

CABINET ASSEMBLY



| Item | Part No. | Name | Qty | Uom | NOTES |
|------|-----------------|-------------------------------|-----|-----|--|
| 1 | 028723-000 | HIGH VOLTAGE CAPACITOR | | EA | |
| 2 | PM100005 | HIGH VOLTAGE RECTIF. | | EA | |
| 3 | PM100018 | LAMP SOCKET | | EA | |
| 4 | PM100081 | Hood / Oven Lamp 20W | | EA | |
| 5 | 065214-000 | Fan motor | | EA | |
| 6 | PM100028 | MONITOR SWITCH/FUSE KIT | | EA | |
| 7 | 062583-000 | SECONDARY/THIRD/STOP SWITCH | | EA | |
| 8 | PM100016 | OVEN TEMP FUSE | | EA | |
| 9 | PM100017 | CAVITY TEMPERATURE FUSE 150+C | | EA | |
| 10 | PM100073 | Magnetron | | EA | |
| 11 | PM100069 | TURNTABLE MOTOR | | EA | |
| 12 | 019082-000 | POWER TRANSFORMER | | EA | |
| 13 | PM100002 | POWER CORD | | EA | |
| 14 | 019066-000 | AH SENSOR | | EA | |
| 15 | PM100008 | NOISE FILTER | | EA | |
| 16 | PM110009 | BASE PLATE | | EA | |
| 17 | PM110010 | FOOT | | EA | |
| 18 | PM110007 | OUTERCASE CABINET | | EA | |
| 19 | PM100013 | H.V. CAPACITOR BAND | | EA | |
| 20 | PM110017 | CHASSIS SUPPORT | | EA | |
| 21 | 057735-000 | LATCH HOOK | | EA | |
| 22 | PM120006 | SWITCH LEVER | | EA | |
| 23 | PM120013 | MAGNETRON DUCT | | EA | |
| 24 | 028717-000 | FAN BLADE | | EA | |
| 25 | PM120011 | FAN DUCT | | EA | |
| 26 | Not Replaceable | Module Pan | | EA | Not available online / Call for pricing and availability |
| 27 | PM110020 | WAVEGUIDE COVER | | EA | |
| 28 | PM120015 | TURNTABLE MOTOR PACKING | | EA | |
| 29 | PM120012 | SENSOR DUCT | | EA | |
| 30 | PM120010 | CUSHION | | EA | NO LONGER AVAILABLE |

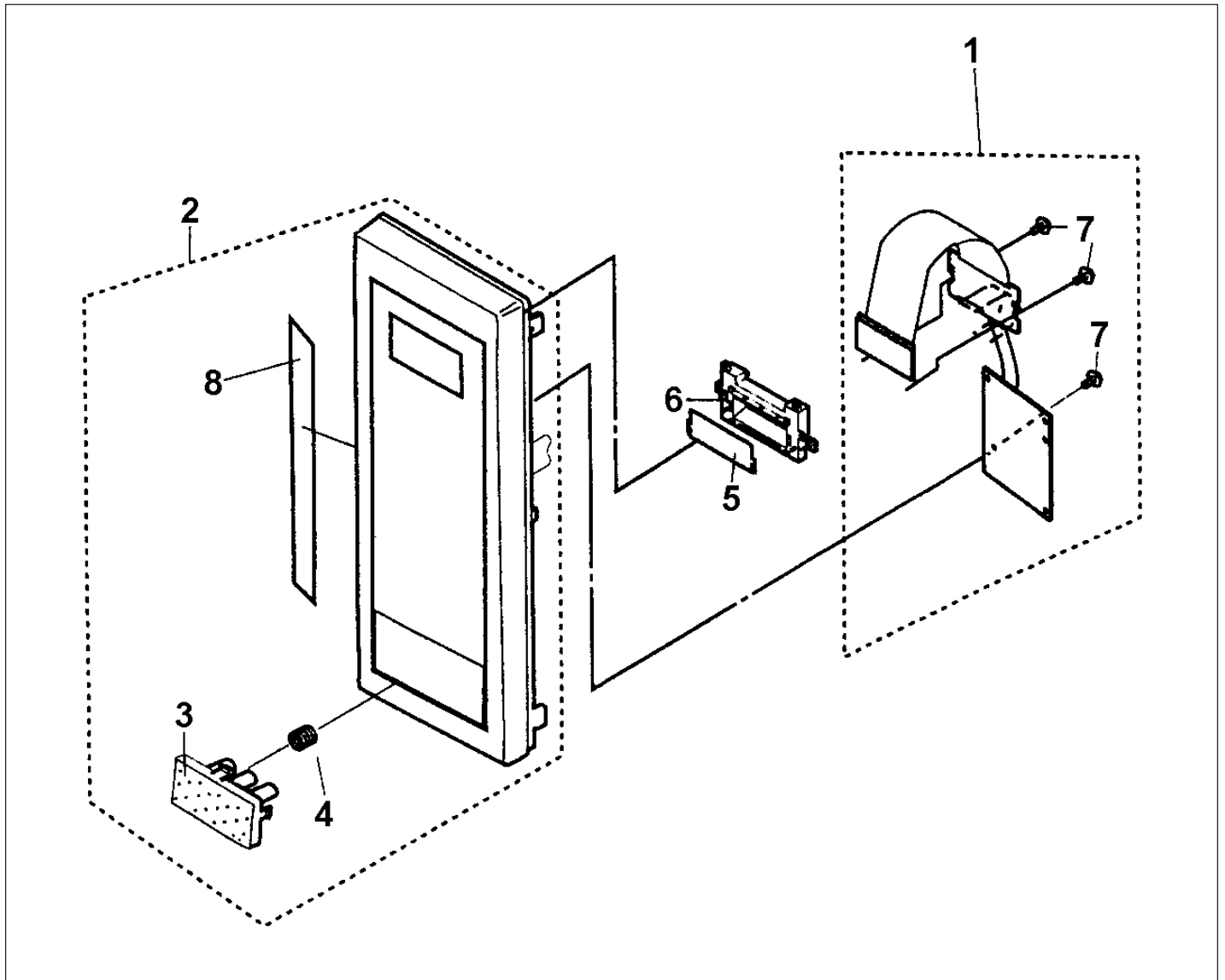


| Item | Part No. | Name | Qty | Uom | NOTES |
|-----------|----------|----------------------------------|-----|-----|---|
| 31 | PM120009 | TT MOTOR CUSHION | | EA | |
| 32 | PM110016 | ANGLE | | EA | NO LONGER AVAILABLE |
| 33 | N/A | TURNTABLE SUPPORT | | EA | |
| Not Shown | NOTE | (ORDER ITEM 54) | | EA | |
| 34 | N/A | Turntable tray | | EA | |
| Not Shown | NOTE | (ORDER ITEM 54) | | EA | |
| 35 | PM120034 | MONITOR CAUTION LABEL | | EA | |
| 36 | PM120018 | UL LABEL | | EA | NO LONGER AVAILABLE, Not available online / Call for pricing and availability |
| 37 | PM120024 | OPERATION MANUAL, TINSEB310MRR2 | | EA | |
| 38 | PM120035 | RECIPE CARD TCADUB010MRR0 | | EA | Not available online / Call for pricing and availability |
| 39 | PM120036 | MENU LABEL | | EA | Not available online / Call for pricing and availability |
| 40 | PM120017 | DHHS LABEL | | EA | NO LONGER AVAILABLE, Not available online / Call for pricing and availability |
| 41 | PM120019 | NHW CAUTION LABEL | | EA | NO LONGER AVAILABLE, Not available online / Call for pricing and availability |
| 42 | PM120021 | USER CAUTION LABEL | | EA | NO LONGER AVAILABLE |
| 43 | PM120022 | BIK CAUTION LABEL, TCAUSB007MRR0 | | EA | NO LONGER AVAILABLE, Not available online / Call for pricing and availability |
| 44 | PM120002 | SPECIAL SCREW | | EA | |
| 45 | PM120003 | SCREW | | EA | |
| 46 | PM120028 | SCREW W/WASHER | | EA | NO LONGER AVAILABLE |



| Item | Part No. | Name | Qty | Uom | NOTES |
|------|------------|-----------------------------------|-----|-----|---------------------|
| 47 | PM120029 | SCREW | | EA | NO LONGER AVAILABLE |
| 48 | PM120030 | SCREW, XOTSD40P12000 | | EA | |
| 49 | PM120025 | SCREW | | EA | NO LONGER AVAILABLE |
| 50 | PM120030 | SCREW, XOTSD40P12000 | | EA | |
| 51 | PM120027 | SCREW | | EA | NO LONGER AVAILABLE |
| 52 | PM120037 | CABINET SCREW XOTSE40P12000 | | EA | |
| 53 | PM120005 | SCREW | | EA | |
| 54 | 077696-000 | TURNTABLE TRAY AND SUPPORT KIT | | EA | |

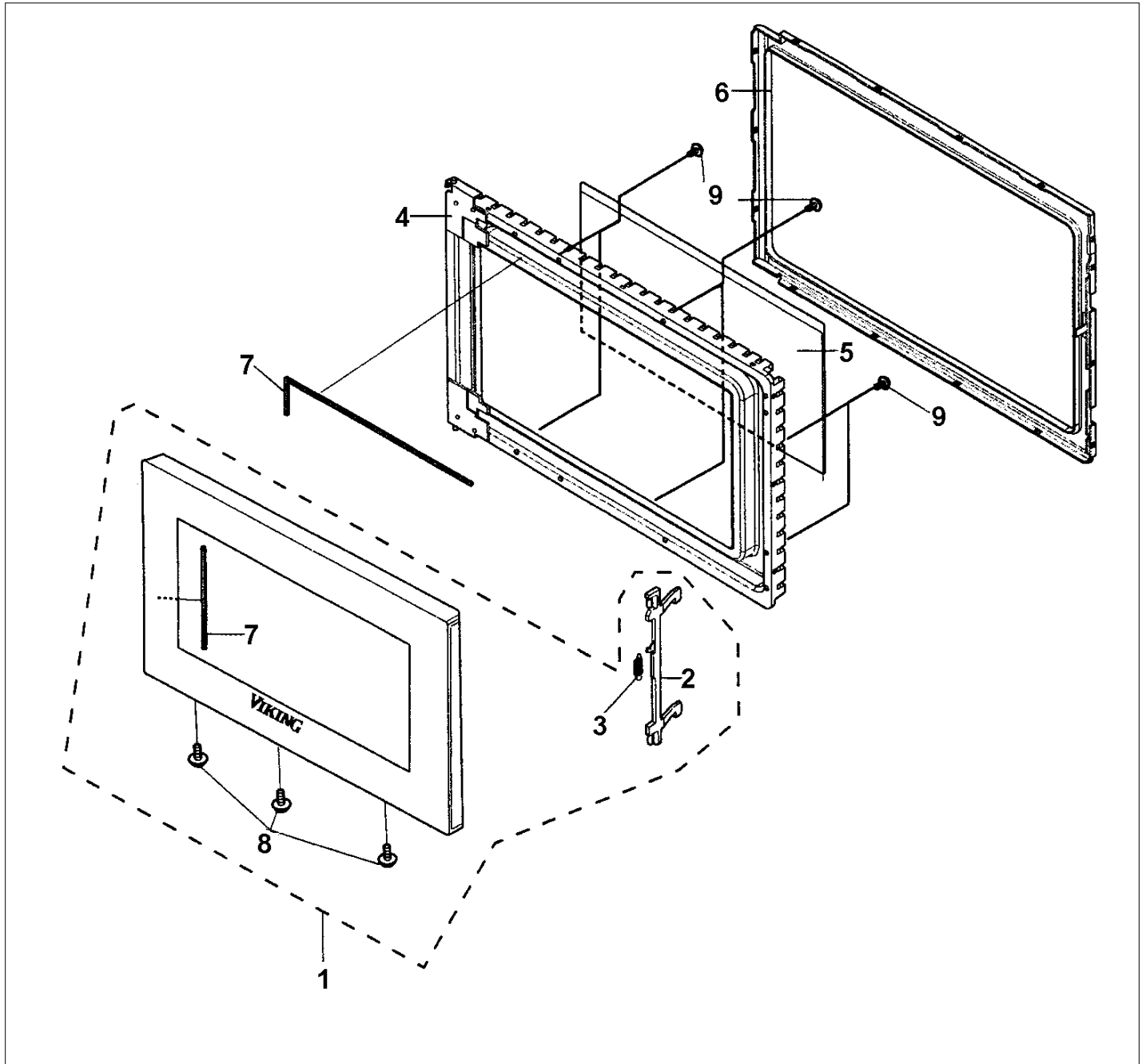
CONTROL PANEL





| Item | Part No. | Name | Qty | Uom | NOTES |
|------|----------|--------------------|-----|-----|---------------------|
| 1 | PM100001 | CONTOL UNIT | 1 | EA | |
| 2 | PM100007 | CONTROL PANEL | 1 | EA | NO LONGER AVAILABLE |
| 3 | PM110014 | OPEN BUTTON | 1 | EA | |
| 4 | PM120044 | OPEN BUTTON SPRING | 1 | EA | |
| 5 | PM100015 | LED SHEET | 1 | EA | |
| 6 | PM100014 | LCD HOLDER | 1 | EA | NO LONGER AVAILABLE |
| 7 | PM120026 | SCREW | 1 | EA | |
| 8 | PM120021 | USER CAUTION LABEL | 1 | EA | NO LONGER AVAILABLE |

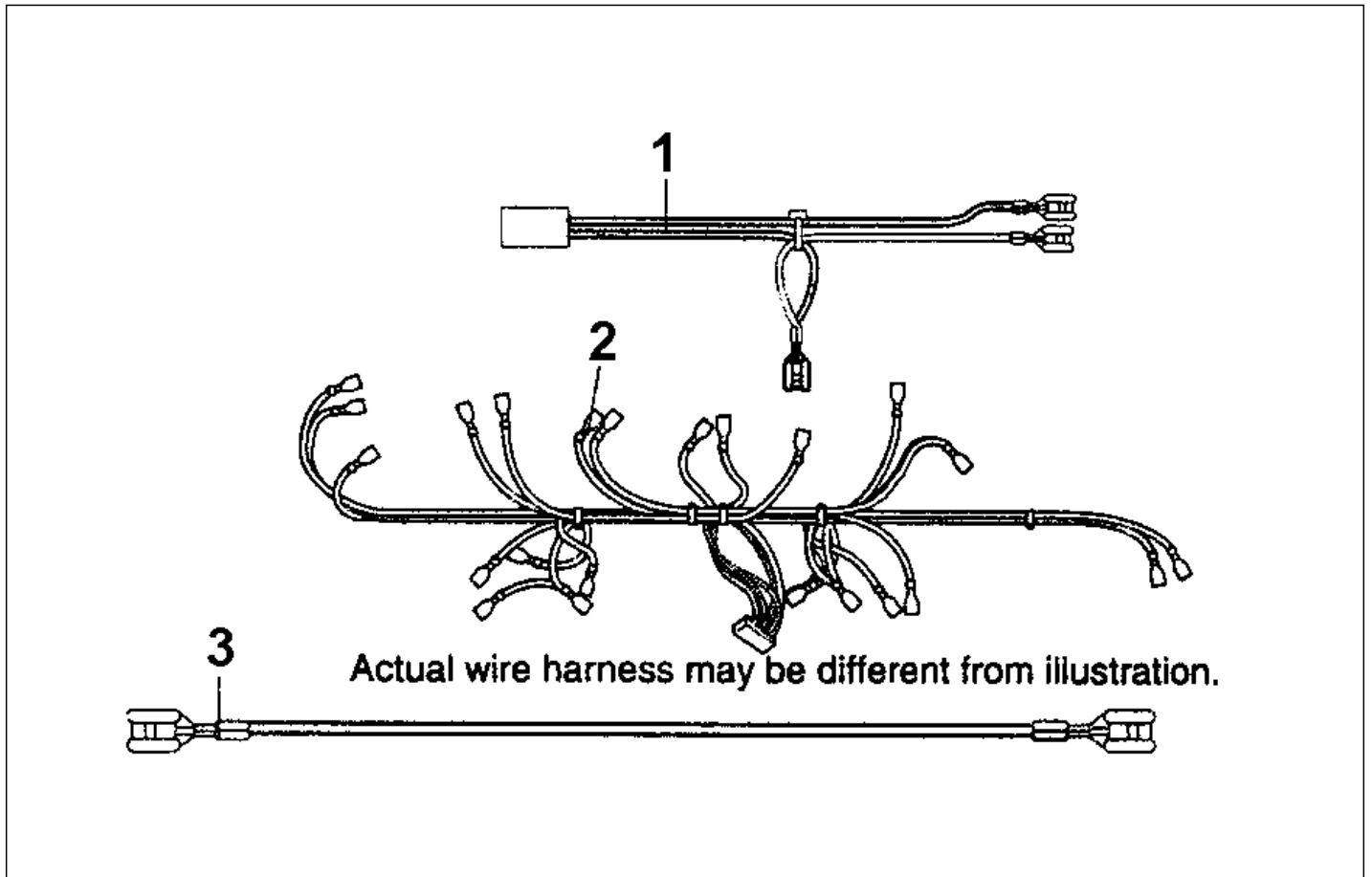
DOOR ASSY





| Item | Part No. | Name | Qty | Uom | NOTES |
|-----------|----------|--------------------------------|-----|-----|-------|
| 1 | PM110003 | DOOR FRAME ASSY, FCOV-B214MRK0 | 1 | EA | |
| Not Shown | PM110004 | DOOR FRAME ASSY, FCOV-B215MRK0 | 1 | EA | |
| 2 | PM120001 | LATCH HEAD | 1 | EA | |
| 3 | PM120007 | LATCH SPRING | 1 | EA | |
| 4 | PM110005 | INNER DOOR PANEL | 1 | EA | |
| 5 | PM120016 | SEALER FILM | 1 | EA | |
| 6 | PM110008 | CHOKE COVER | 1 | EA | |
| 7 | PM120032 | DOOR CUSHION PCUSUB058MRP0 | 1 | EA | |
| 8 | PM120033 | SCREW ; CONTROL PANEL MTG. | 1 | EA | |
| 9 | PM120026 | SCREW | 1 | EA | |

WIRING ASSY





| Item | Part No. | Name | Qty | Uom | NOTES |
|------|----------|---------------------|-----|-----|-------|
| 1 | PM100011 | LOW VOLTAGE HARNESS | 1 | EA | |
| 2 | PM100012 | MAIN WIRE HARNESS | 1 | EA | |
| 3 | PM100020 | HIGH VOLTAGE WIRE A | 1 | EA | |



Appendix A:Pages Index

| | |
|------------------------|---|
| CABINET ASSEMBLY | 1 |
| CONTROL PANEL | 2 |
| DOOR ASSY | 3 |
| WIRING ASSY | 4 |



Appendix B:Parts Index

| | | | |
|-----------------|---|----------|------|
| 019066-000 | 1 | PM120003 | 1 |
| 019082-000 | 1 | PM120005 | 1 |
| 028717-000 | 1 | PM120006 | 1 |
| 028723-000 | 1 | PM120007 | 3 |
| 057735-000 | 1 | PM120009 | 1 |
| 062583-000 | 1 | PM120010 | 1 |
| 065214-000 | 1 | PM120011 | 1 |
| 077696-000 | 1 | PM120012 | 1 |
| Not Replaceable | 1 | PM120013 | 1 |
| PM100001 | 2 | PM120015 | 1 |
| PM100002 | 1 | PM120016 | 3 |
| PM100005 | 1 | PM120017 | 1 |
| PM100007 | 2 | PM120018 | 1 |
| PM100008 | 1 | PM120019 | 1 |
| PM100011 | 4 | PM120021 | 1, 2 |
| PM100012 | 4 | PM120022 | 1 |
| PM100013 | 1 | PM120024 | 1 |
| PM100014 | 2 | PM120025 | 1 |
| PM100015 | 2 | PM120026 | 2, 3 |
| PM100016 | 1 | PM120027 | 1 |
| PM100017 | 1 | PM120028 | 1 |
| PM100018 | 1 | PM120029 | 1 |
| PM100020 | 4 | PM120030 | 1, 1 |
| PM100028 | 1 | PM120032 | 3 |
| PM100069 | 1 | PM120033 | 3 |
| PM100073 | 1 | PM120034 | 1 |
| PM100081 | 1 | PM120035 | 1 |
| PM110003 | 3 | PM120036 | 1 |
| PM110004 | 3 | PM120037 | 1 |
| PM110005 | 3 | PM120044 | 2 |
| PM110007 | 1 | | |
| PM110008 | 3 | | |
| PM110009 | 1 | | |
| PM110010 | 1 | | |
| PM110014 | 2 | | |
| PM110016 | 1 | | |
| PM110017 | 1 | | |
| PM110020 | 1 | | |
| PM120001 | 3 | | |
| PM120002 | 1 | | |