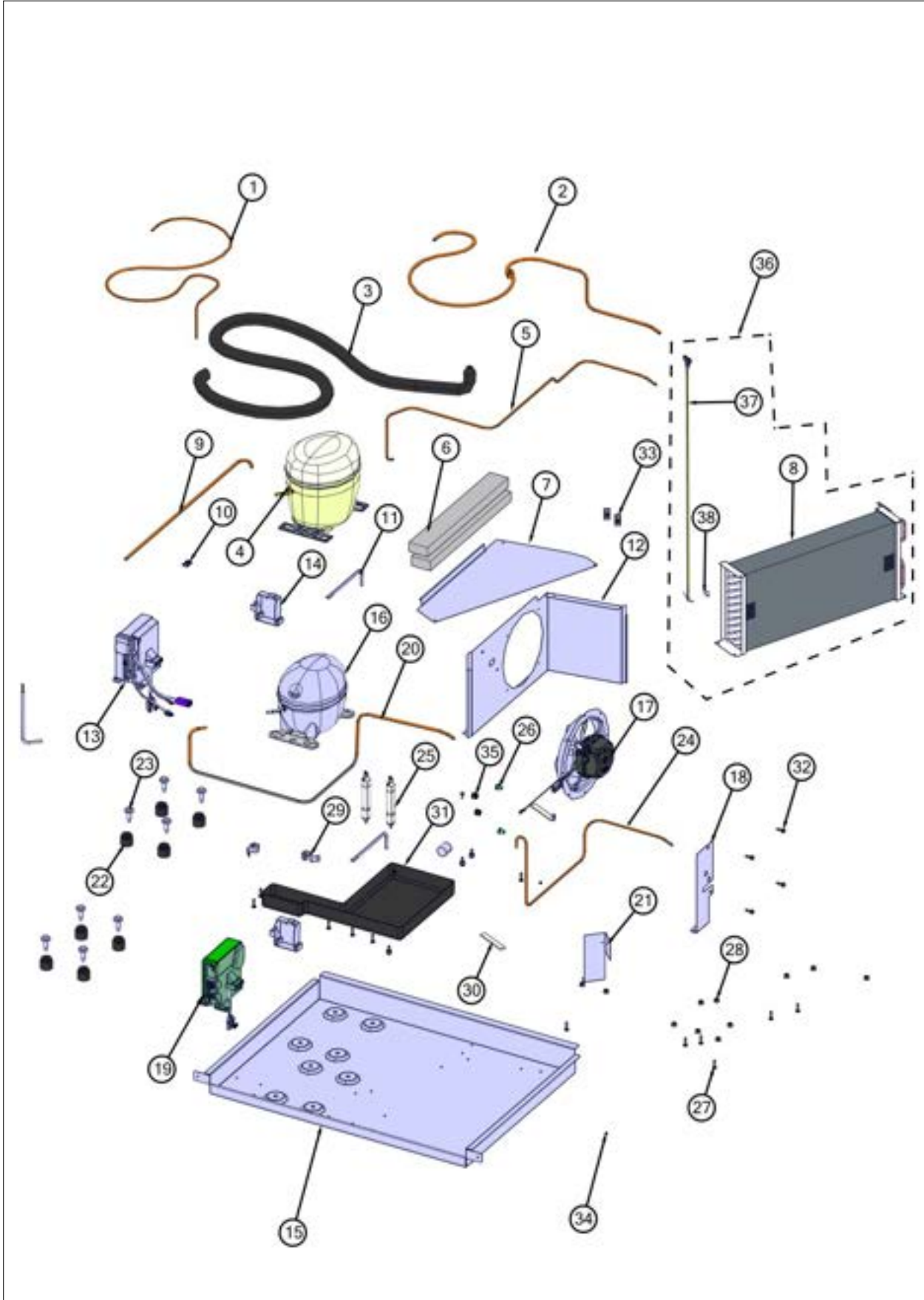


CFBI7360WR01

BOTTOM VIEW	1
CABINET VIEW	2
Interior View	3
Water System View	4
Main Control View	5
INTERIOR SHELVING VIEW	6
FZ Drawers View	7
FF Door View	8
WIRING VIEW	9
WIRING VIEW 2	10
VBI7360 FZ Compressor kit	11
VBI7360 FF Compressor Kit	12
VBI7360 Main control board kit	13
Appendix A:Pages Index	A
Appendix B:Parts Index	B

BOTTOM VIEW



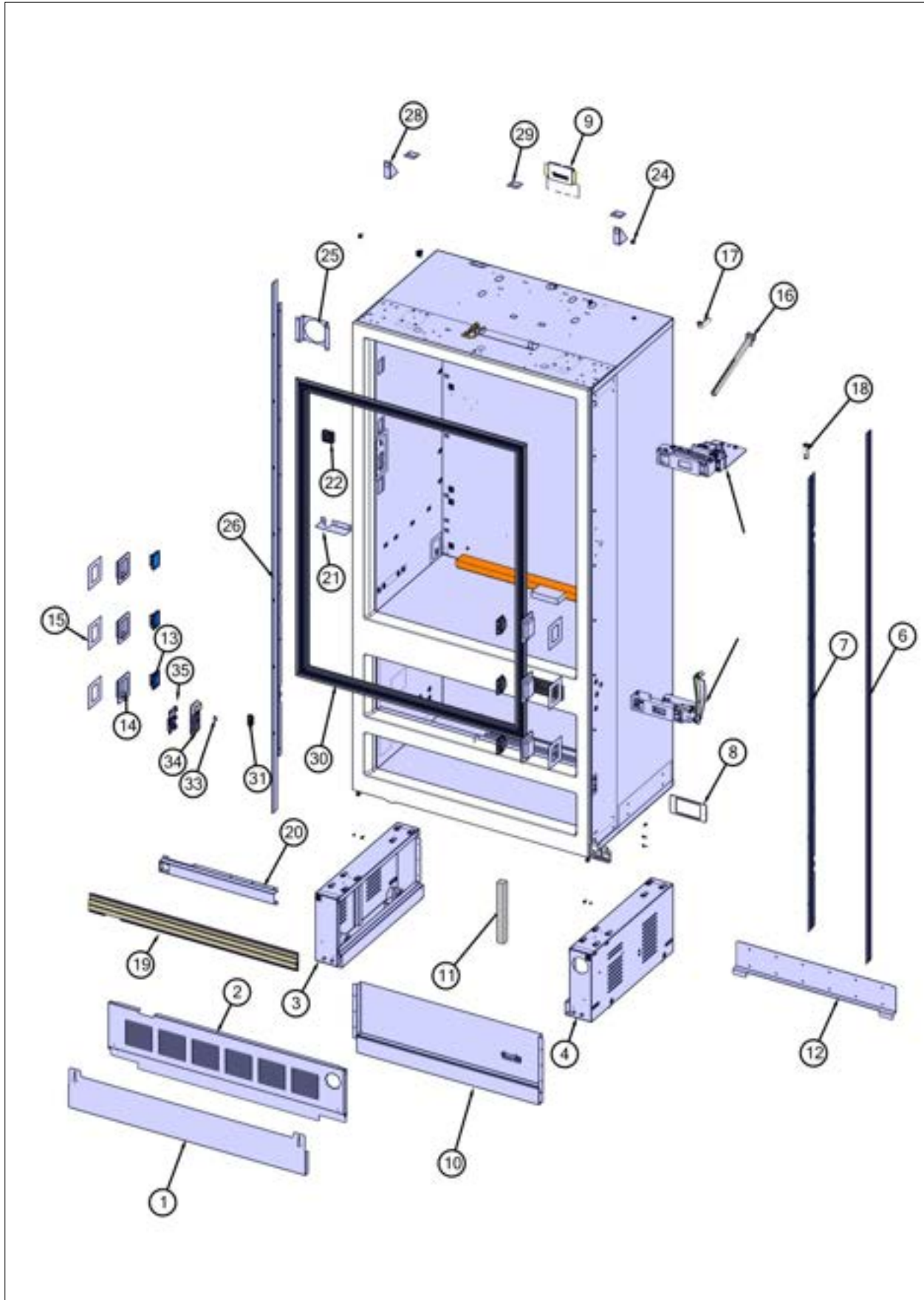


Item	Part No.	Name	Qty	Uom	NOTES
1	054022-000	TUBING, DRR, HEATER LOOP, BM 7 SERIES	1	EA	
2	053987-000	TUBING, CNDR, HEATER LOOP, BM 7 SERIES	1	EA	
3	057059-000	FZ, HEAT EXCHANGER, TUBING, ASSY	1	EA	
4	054295-000	CMPR, FZ, BM 7 SERIES	1	EA	
5	053929-000	COMPRESSOR, CNDR, TUBING, FRESH FOOD, BM 7 SERIES	1	EA	
6	060892-000	CONDENSER, FOAM BAFFLE, MC, BM 7 SERIES	2	EA	
7	053885-000	COVER, CNDR, BM 7 SERIES	1	EA	
8	N/A	DUAL CIRCUIT CONDENSER, BM 7 SERIES	1	EA	
Not Shown	NOTE	(MUST ORDER ITEM 36)		EA	
9	054030-000	FILLING, TUBE, FREEZER, COMPRESSOR, BM 7 SERIES	1	EA	
10	059922-000	SNAP-IN, PLASTIC, CLAMP	1	EA	
11	f2097740	TUBE PROCESS	3	EA	
12	053834-000	SUPPORT, FAN, CONDENSER, BM 7 SERIES	1	EA	
13	054917-000	INVERTER, CMPR, FREEZER, BM 7 SERIES	1	EA	
14	060129-000	COMPRESSOR, CVR, 7 SERIES	2	EA	
15	053062-000	TRAY, MC, BM 7 SERIES	1	EA	
16	054296-000	CMPR, FF, BM 7 SERIES	1	EA	
17	054048-000	CONDENSER, FAN, ASM, BM 7 SERIES	1	EA	
18	058217-000	CNDSR, TUBING, HOLDER, BM 7 SERIES	1	EA	
19	054600-000	INVERTER, CMPR, FRESH FOOD, BM 7 SERIES	1	EA	
20	053930-000	COMPRESSOR, CNDR, TUBING, FREEZER, BM 7 SERIES	1	EA	
21	053996-000	DRIER, BRKT, BM 7 SERIES	1	EA	
22	053739-000	GROMMET, CMPR, BM 7 SERIES	8	EA	
23	M0221523	SCREW - SHLDR	8	EA	



Item	Part No.	Name	Qty	Uom	NOTES
24	054026-000	DRIER, CNDR, TUBING, BM 7 SERIES	1	EA	
25	030926-000	DRIER - HIGH SIDE	2	EA	
26	12059801	GROMMET-COND LOOP	2	EA	
27	055051-000	STUD, #10-32, 5/8, MC, MOBILITY, TRAY, BM 7 SERIES	14	EA	
28	055054-000	STUD, NUT, #10-32, MC, BM 7 SERIES	14	EA	
29	10547001	CLIP-DRIER V10547001	2	EA	
30	061548-000	GASKET, FOAM, CONDENSER, BM 7 SERIES	2	EA	
31	053911-000	PAN, MC, DRAIN, BM 7 SERIES	1	EA	
32	023005-000	NO.10-32 X 1/2 HEX HEAD MACHINE SCREW	4	EA	
33	060092-000	CLIP, HEAT EXCHANGER, LINES, BM 7 SERIES	2	EA	
Not Shown	NOTE	(BEFORE SERIAL 05/27/17)		EA	
34	058452-000	FASTENER, KEYHOLE, SHEET JOINING, .273 X .147	2	EA	
35	058398-000	LOCKING GROMMET, WATERLINE, CABINET, BM 7 SERIES	2	EA	
36	066365-000	DUAL CIRCUIT CONDENSER, BM 7 SERIES	1	EA	
37	058535-000	EVAP, THERMISTOR, 7 SERIES	1	EA	
<p>Comments for Part Num. 058535-000</p> <p>gboltz@VikingRange.com on Jun 10, 2019</p> <p>Order 066362-000 foil tape with thermistor for isolating dis-similar metals.</p>					
38	066362-000	TAPE, FOIL, COPPER, SHIELDING, 3M, 1182 .500 x 0.7	1	EA	

CABINET VIEW



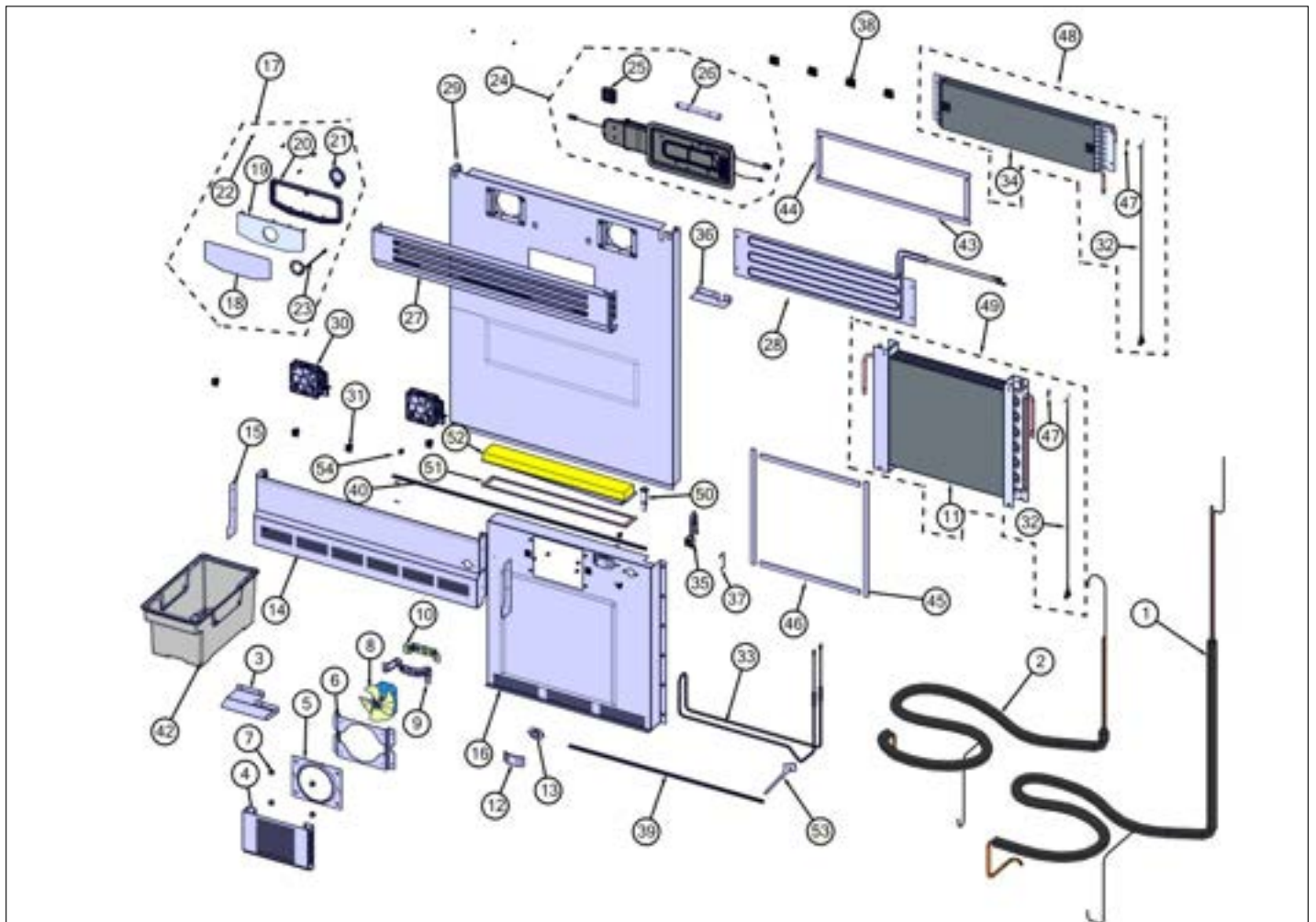


Item	Part No.	Name	Qty	Uom	NOTES
1	058316-000	KICKPLATE, BM 7 SERIES	1	EA	
2	069645-000	ACCESS PANEL, MC, BM, 7 SERIES	1	EA	
3	066705-000	HSG, L, MC, ASSY, 7 SERIES	1	EA	
4	066702-000	HSG, R, MC ASSY, 7 SERIES	1	EA	
6	067217-000	TRIM, FINISH, SIDE, MAGNET	2	EA	
7	073023-000	BKT, TRIM, MAGNET, 7 SERIES	2	EA	
NI	062978-000	FASTENER, SCR, 8-15 X 1/2 TORX ROUND HEAD ZPS	16	EA	
8	058257-000	COVER, LOWER HINGE, BM 7 SERIES	1	EA	
10	057538-000	MIDDLE HOUSING MC ASSY BM 7 SERIES	1	EA	
11	058374-000	FOAM, DIVIDER, MC, BM 7 SERIES	1	EA	
12	058534-000	BRACKET, ANTI-TIP, BM 7 SERIES	1	EA	
13	042764-000	LED LIGHT, 3-POINT	6	EA	
14	046358-000	LED CUP ASSY (3) (NON-SERVICEABLE PART)	6	EA	
15	044694-000	LED SHIM, SMALL SINGLE (NON-SERVICEABLE PART)	6	EA	
16	061603-000	ICE MAKER FILL TUBE 7 SERIES	1	EA	
17	054790-000	DRAIN, TUBE, SUMP, FRESH FOOD, BM 7 SERIES	1	EA	
18	054910-000	STANDOFF, FRESH FOOD, FREEZER, BM 7 SERIES	1	EA	
19	052832-000	EXTRUSION, MAGNET, FZ, BTM	1	EA	
21	054622-000	BRACKET, EVAP, L, FRESH FOOD, BM 7 SERIES	1	EA	
24	PD950012	STRIKE PANEL ACCESS	4	EA	
26	068842-000	MAGNET, TRIM, 7 SERIES	2	EA	
28	058677-000	BRACKET, SNAP FEAT, TOP TRIM, RH, BM 7 SERIES	2	EA	
29	059043-000	BRACKET, TOP, FRONT TRIM, BM 7 SERIES	3	EA	
30	065829-000	GASKET, FF DOOR, ASSY, BM 7 SERIES	1	EA	
31	055020-000	SWITCH, LEVERL SHORT	1	EA	



Item	Part No.	Name	Qty	Uom	NOTES
33	055023-000	DISPENSER, TIP, WATER	1	EA	
34	055024-000	DISPENSER, WATER	1	EA	
NI	066427-000	FASTENER, SCREW	6	EA	
35	055042-000	PLATE, SWITCH, MOUNTING	1	EA	
NI	064232-000	COVER, FOAM, WATER DISP, 7 SERIES, ASSY	1	EA	
NI	064234-000	COVER, FOAM, WATER CHILLER, 7 SERIES, ASSY	1	EA	
36	057884-000	TOP, HINGE, RH, ASM, BM 7 SERIES	1	EA	
NI	058225-000	FF, DOOR SWITCH, BM 7 SERIES	1	EA	
37	057885-000	BOTTOM, HINGE, RH, ASM, BM 7 SERIES	1	EA	
38	062978-000	FASTENER, SCR, 8-15 X 1/2 TORX ROUND HEAD ZPS	18	EA	
39	PD950012	STRIKE PANEL ACCESS	2	EA	
40	PD950013	LATCH PANEL ACCESS	2	EA	
41	062703-000	TOP TRIM, LOGO SIDE, RH, 36 BM, 7 SERIES	1	EA	
42	062702-000	TOP TRIM, HINGE SIDE, RH, 36 BM 7 SERIES	1	EA	
43	063714-000	GROMMET, EDGING, SLOTTED, W/ADHESIVE, 1"	1	EA	
NI	A3189370	GASKET-FOAM VA3189370	1	EA	

Interior View





Item	Part No.	Name	Qty	Uom	NOTES
1	057058-000	FF, HEAT EXCHANGER, TUBING, ASSY	1	EA	
2	057059-000	FZ, HEAT EXCHANGER, TUBING, ASSY	1	EA	
3	060814-000	ICEMAKER, DEFLECTOR, 36 BM 7 SERIES	1	EA	
4	057349-000	DUCT, FRZ, FAN, BM 7 SERIES	1	EA	
5	053821-000	FREEZER, FAN, FR, PLATE, BM 7 SERIES	1	EA	
6	053820-000	FREEZER, FAN, BOX, BM 7 SERIES	1	EA	
7	12234001	GROMMET-VIBRATION	4	EA	
8	053827-000	FREEZER, EVAPORATOR, FAN, ASM, BM 7 SERIES	1	EA	
9	PM010605	BRACKET MTR/SHROUD	1	EA	
10	L2198650	BRACKET FAN EVAP VEN	1	EA	
11	N/A	FREEZER, EVAP, BM 7 SERIES	1	EA	
Not Shown	NOTE	(MUST ORDER ITEM 49)		EA	
12	050844-000	COVER, THERMISTOR, FF	1	EA	
13	C8983701	THERMISTOR	1	EA	
14	057907-000	CRISPER, FAN, EVAP, COVER, BM 7 SERIES	1	EA	
15	057908-000	CRISPER, FAN, BOTTOM, GRILL, COVER, BM 7 SERIES	2	EA	
16	052974-000	FREEZER, EVAP, COVER BM 7 SERIES	1	EA	
17	057606-000	BLUEZONE, FILTER, ASM, BM 7 SERIES	1	EA	
18	057608-000	BLUE ZONE COVER	1	EA	
19	058426-000	BLUE ZONE, LIGHT, DIFFUSER, BM 7 SERIES	1	EA	
20	057607-000	BEZEL, BLUEZONE, FRONT, BM 7 SERIES	1	EA	
21	060221-000	BLUEZONE, LED SUPPORT & TAPE, ASM, 7 SERIES	1	EA	
22	058475-000	BLUE ZONE, DISC, MAGNET, BM 7 SERIES	5	EA	
23	049983-000	PLASMACLUSTER, LED	1	EA	
24	058406-000	MODULE, BLUEZONE, ASM	1	EA	

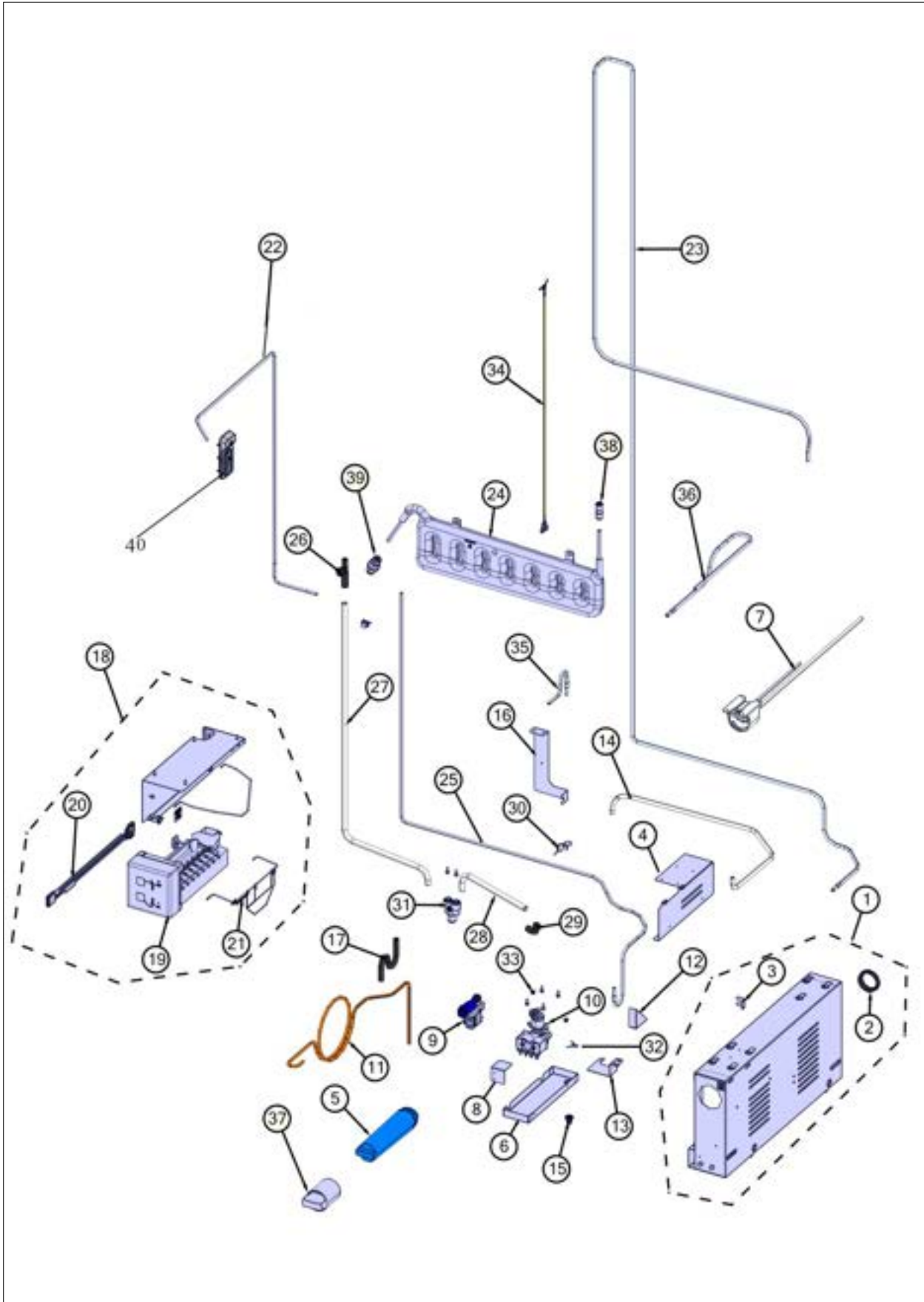


Item	Part No.	Name	Qty	Uom	NOTES
25	054625-000	FAN, CSPR, DRAWER, BM 7 SERIES	1	EA	
26	RBZB7	Bluezone Bulb Phase 1 Bottom mount	1	EA	
27	058082-000	FAN COVER, FF, ASM, BM 7 SERIES	1	EA	
28	055471-000	HEATER, EVAP, FF, BM 7 SERIES	1	EA	
29	048103-000	COVER, EVAP, FF, BM 7 SERIES	1	EA	
30	054688-000	FAN, 12V, 3.62" X 1.0", 4.5W	2	EA	
31	PD950013	LATCH PANEL ACCESS	4	EA	
32	058535-000	EVAP, THERMISTOR, 7 SERIES	2	EA	
<p>Comments for Part Num. 058535-000</p> <p>gboltz@VikingRange.com on Jun 10, 2019</p> <p>Order 066362-000 foil tape with thermistor for isolating dis-similar metals.</p>					
Not Shown	NOTE	(MUST ORDER ITEM 47 WHEN REPLACING THERMISTOR)		EA	
33	054404-000	FREEZER, DFR, HEATER, BM 7 SERIES	1	EA	
34	N/A	EVAP, FF, BM 7 SERIES	1	EA	
Not Shown	NOTE	(MUST ORDER ITEM 48)		EA	
35	059650-000	THERMOSTAT, SNAP ACTION, 75 OPEN, 45 CLOSE	1	EA	
36	054620-000	BRACKET, EVAP, RIGHT, FRESH FOOD, BM 7 SERIES	1	EA	
37	060302-000	CLIP, DFR, HEATER, 7 SERIES	1	EA	
38	M0104106	CLIP-CORD VM0104106	4	EA	
39	060013-000	GASKET, FZ, EVAPORATOR, COVER, BM 7 SERIES	1	EA	
Not Shown	NOTE	(FOR UNITS BEFORE 05/27/17)		EA	
40	060012-000	GASKET, FF, EVAPORATOR, COVER, BM 7 SERIES	1	EA	
Not Shown	NOTE	(FOR UNITS BEFORE 05/27/17)		EA	
42	058532-000	ICE BIN, ASSY, BM 7 SERIES	1	EA	



Item	Part No.	Name	Qty	Uom	NOTES
43	063544-000	GASKET, FOAM, 0.25" X 0.50" X 20"	2	EA	
44	063545-000	GASKET, FOAM, 0.25" X 0.50" X 5"	2	EA	
45	063546-000	GASKET, FOAM, 0.25" X 0.50" X 15"	2	EA	
46	063547-000	GASKET, FOAM, 0.25" X 0.50" X 13"	2	EA	
47	066362-000	TAPE, FOIL, COPPER, SHIELDING, 3M, 1182 .500 x 0.7	2	EA	
48	075914-000	7 SEIRES BM FF EVAPORATOR KIT	1	EA	
49	066364-000	EVAPORATOR, THERMISTOR, FZ, 36 BM, 7 SERIES, ASSY	1	EA	
50	064849-000	BRKT, RETAINING, COVER, EVAP, BM, 7 SERIES	2	EA	
51	057813-000	FRESH FOOD, FAN, BOX, BM 7 SERIES	2	EA	
52	007301-000	GROMMET,RUBBER	8	EA	
53	064427-000	FAN, FF, EVAP, ASSY, BM, 7 SERIES	2	EA	
54	063727-000	GASKET, EXTRUDE, WHITE, 31.838	1	EA	
55	064080-000	GASKET, EXTRUDE, WHITE, 25.700	1	EA	
56	068565-000	EXTENSION, DFR, HEATER, BM 7 SERIES	1	EA	

Water System View



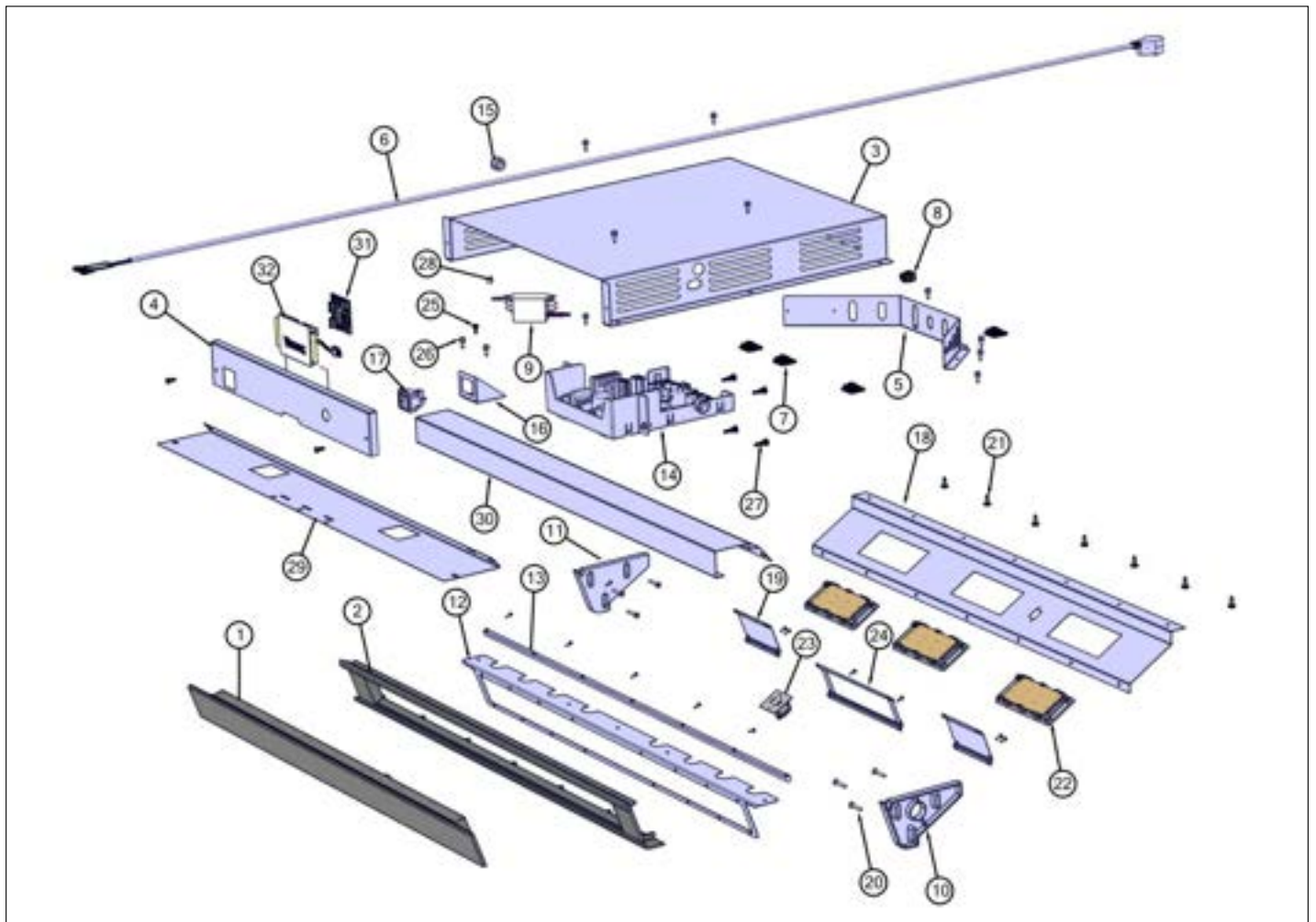


Item	Part No.	Name	Qty	Uom	NOTES
1	066702-000	HSG, R, MC ASSY, 7 SERIES	1	EA	
2	059927-000	SWEEP, WATER INLINE, BM 7 SERIES	1	EA	
3	059963-000	BRACKET, WATER FILTER, DRAIN, BM 7 SERIES	1	EA	
4	066517-000	FILTER, WATER, BRACKET, SUPPORT, BM/COLUMNS 7 SERIES	1	EA	
5	057498-000	FILTER, CARTRIDGE, WATER, BM 7 SERIES	1	EA	
6	058487-000	WATER, FILTER, PAN, BM 7 SERIES	1	EA	
7	058451-000	MANIFOLD, WATER FILTER	1	EA	
8	062810-000	BRACKET, MTG, WATER VALVES, BM 7 SERIES	1	EA	
9	PA070016	VALVE WATER SINGLE DISP, FAMILY	1	EA	
10	061620-601	DUAL VALVE, WATER, 7 SERIES, ASM 120V	1	EA	
11	061400-000	WATER LINE, INLET, 7 SERIES	1	EA	
13	061626-000	BRACKET, DUAL VALVE, WATER FILTER, 7 SERIES	1	EA	
14	054851-000	DRAIN, TUBE, WATER FILTER, PAN, BM 7 SERIES	1	EA	
15	055046-000	VENT, DR, WATER FILTER, PAN, BM 7 SERIES	1	EA	
16	058879-000	BRACKET, WYE, CONNECTOR, BM 7 SERIES	1	EA	
17	054974-000	P-TRAP, DRAIN, TUBE, BM 7 SERIES	1	EA	
18	060217-000	ICE MAKER ASM, 7 SERIES (INT'L)	1	EA	
19	057731-000	ICEMAKER 7SERIES BM, 5 SERIES	1	EA	
20	023112-000	HARNESS,ICE MAKER	1	EA	
21	061597-000	ICE MAKER BAIL ARM, ASM	1	EA	
22	058375-000	WATERLINE, WATER RESERVOIR, DISPENSER, BM 7 SERIES ASSY	1	EA	
23	058385-000	WATERLINE, VLV, WATER RESERVOIR, BM 7 SERIES ASSY	1	EA	



Item	Part No.	Name	Qty	Uom	NOTES
24	054703-000	WATER, CHILLER, BM 7 SERIES	1	EA	
25	058384-000	WATERLINE, VLV, ICE MAKER, BM 7 SERIES ASSY	1	EA	
26	054848-000	VENT, DR, FRESH FOOD, BM 7 SERIES	1	EA	
27	054801-000	DRAIN, TUBE, FRESH FOOD, BM 7 SERIES	1	EA	
28	054931-000	DRAIN, TUBE, FREEZER, BM 7 SERIES	1	EA	
29	058086-000	ELBOW, DR, FREEZER, BM 7 SERIES	1	EA	
30	063650-000	CLAMP, DRAIN, FF, 7 SERIES BM	2	EA	
31	055101-000	WYE, CONNECTOR, P TRAP, DRAIN, BM 7 SERIES	1	EA	
33	057883-000	FLANGE, NUT, WATER FILTER, BM 7 SERIES	2	EA	
34	076579-000	THERMISTOR, MITSUBISHI, PROBE STYLE 7 SERIES	1	EA	
37	064978-000	TOOL, WATER FILTER, 7 SERIES	1	EA	
38	055344-000	FITTING, TUBE, PUSH, 5/16 (PM0108S), BM 7 SERIES	1	EA	
39	067388-601	CV, TUBE UN, INL 5/16, OUT 1/4, 7 SERIES	1	EA	
40	055017-000	DISPENSER, WATER, INTERNAL, ASSY	1	EA	

Main Control View



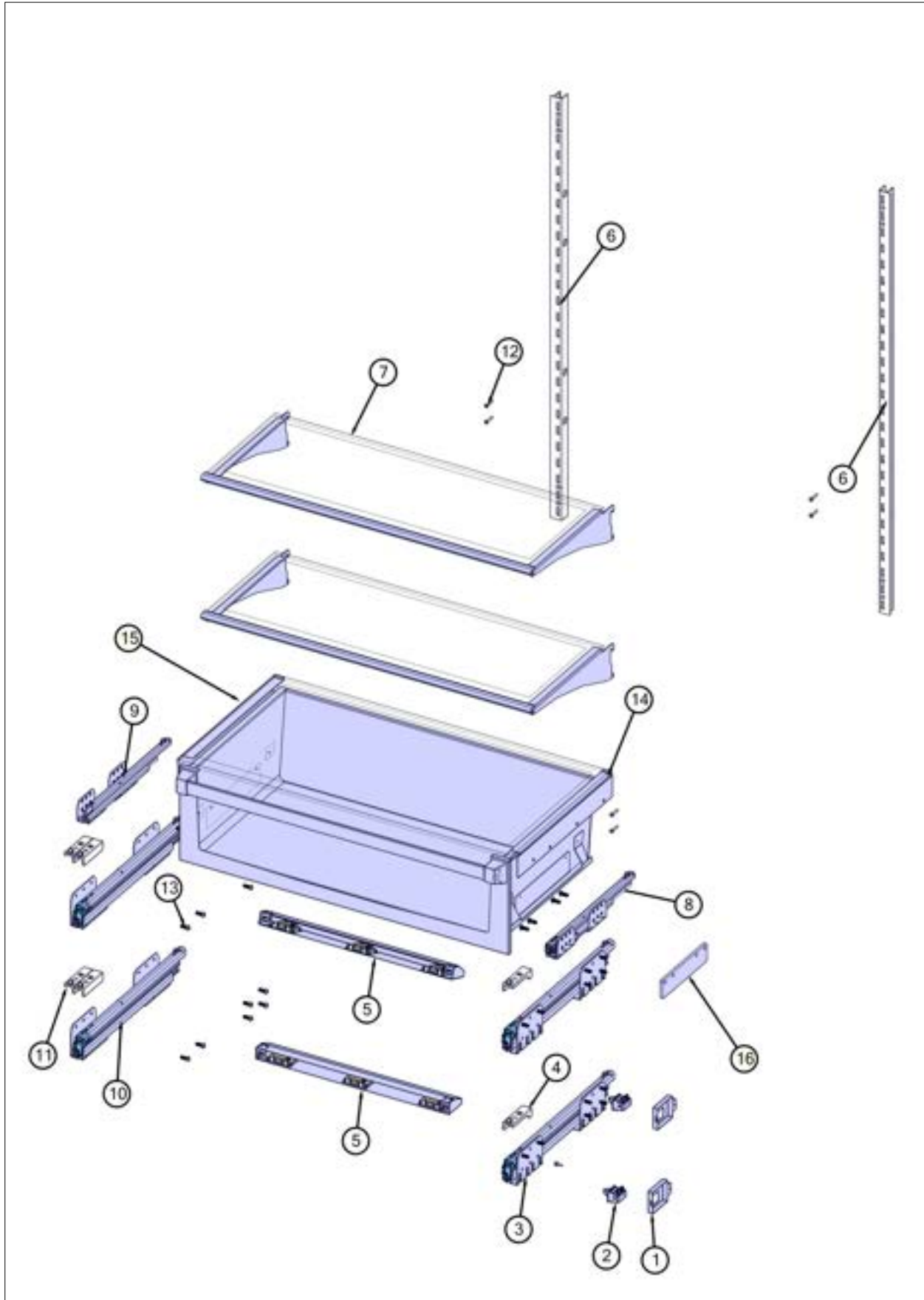


Item	Part No.	Name	Qty	Uom	NOTES
1	053940-518	UI MAIN CONTROL BOARD ASSY	1	EA	
2	054084-000	HOUSING, MOD1, UPPER, UI, 36, BM 7 SERIES	1	EA	
3	058528-000	TOP, COVER, BM 7 SERIES	1	EA	
4	058672-000	FRONT, COVER, CONTROL BOARD, BM 7 SERIES	1	EA	
5	058545-000	BRACKET, PANEL, MOUNT, CONNECTORS, BM 7 SERIES	1	EA	
6	059105-000	CORD, PWR, BM, LEAD TERMINALS	1	EA	
7	m0104106	CLIP-CORD VM0104106	4	EA	
8	003104-000	BUSHING,STRN,RLF	1	EA	
9	059022-000	BALLAST, BLUEZONE, LAMP	1	EA	
10	053541-000	ENDCAP, HOUSING, TOP UI, RIGHT	1	EA	
11	053520-000	ENDCAP, HOUSING, TOP UI, LEFT	1	EA	
12	058529-000	BRACKET, SPRT, UI	1	EA	
13	053521-000	GASKET, HOUSING, UI	1	EA	
14	064379-000	MAIN CONTROL BOARD KIT	1	EA	
15	PD040044	SNAP THRU BUSHING 1/4"DIA CORD	2	EA	
16	059877-000	POWER SWITCH, BRACKET, BM 7 SERIES	1	EA	
17	PE950149	SWITCH POWER	1	EA	
18	054083-000	BACK PANEL, UI, UPPER, BM 7 SERIES	1	EA	
19	054085-000	BRKT, MOUNT, UPPER UI 7 SERIES 36	2	EA	
20	013397-000	1" PAINTED LADDER SCREW	6	EA	
21	M0210458	SCR 8-18 X 5/8 WAFER PH SMS	7	EA	
22	042766-000	LED LIGHT, 8-POINT	3	EA	
23	059487-000	USB, PCB, GND, REF 7 SERIES	1	EA	
24	054086-000	BRKT, CNTR, UPPER UI, 7 SERIES 36	1	EA	
25	PD020010	10 X 3/8 GREEN GROUNDING SCREW	1	EA	
26	PD020194	SCR, HEX SRTD WSHR HD, #8-18 X 1/2	16	EA	



Item	Part No.	Name	Qty	Uom	NOTES
27	007301-000	GROMMET,RUBBER	4	EA	
28	M0238859	SCREW-SHLDR	1	EA	
29	053564-000	BRACKET, LIGHT, REAR, CRISPER, BM 7 SERIES	1	EA	
30	053549-000	PANEL, CONTROL, LOWER, BM 7 SERIES	1	EA	
31	063269-501	MODULE, NIC, V01 (SEE 063269-FAM)	1	EA	
32	070306-603	LIGHT, LOGO, ASM, 7 SERIES- WHITE W/HARNESS	1	EA	

INTERIOR SHELVING VIEW



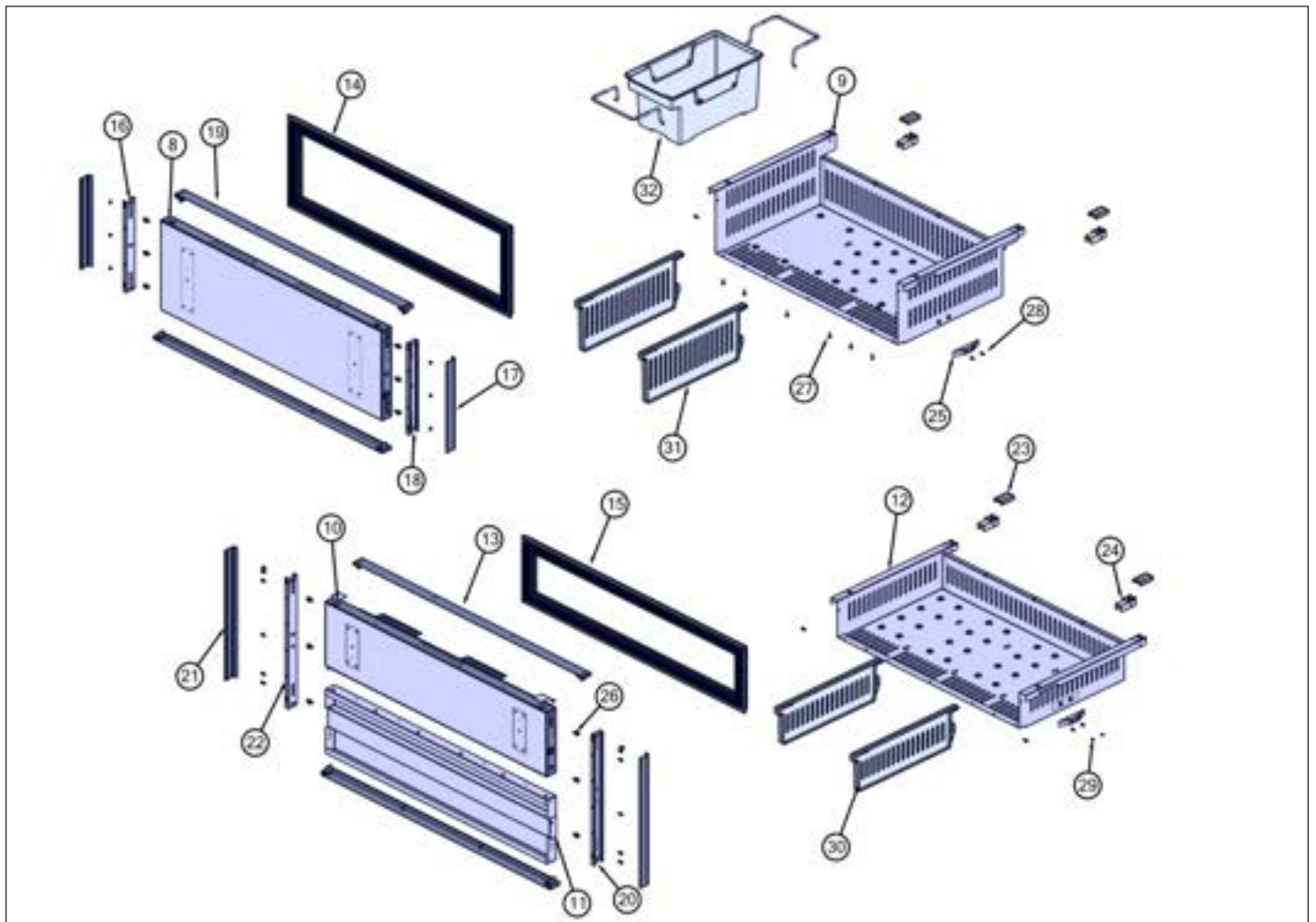


Item	Part No.	Name	Qty	Uom	NOTES
1	053610-000	FREEZER, DWR, LIGHT, SWITCH, COVER, BM 7 SERIES	2	EA	
2	PE950122	SWITCH	2	EA	
Not Shown	NOTE	(BEFORE 05/27/17)		EA	
2	PE950121	SWITCH	2	EA	
Not Shown	NOTE	(ON OR AFTER 05/27/17)		EA	
3	053091-000	FREEZER, DWR, RIGHT, SLIDE, BM 7 SERIES	2	EA	
4	053025-000	FREEZER, DWR, FR, R, SLIDE CLIP, BM 7 SERIES	2	EA	
5	057691-000	FZR, LIGHT, ASM, TOP LED, BM 7 SERIES	2	EA	
6	PM910280	LADDER SIDE AR 30 36	2	EA	
Not Shown	NOTE	(BEFORE OR ON 062717R10046375)		EA	
6	071766-006	LADDER, SIDE	2	EA	
Not Shown	NOTE	(AFTER 062717R10046375)		EA	
7	053440-000	SHELF, FF, ASM, BM 7 SERIES	3	EA	
8	072400-000	SLIDE DWR, FZ/RF, RH	1	EA	
9	072399-000	SLIDE DWR, FZ/RF, LH	1	EA	
10	053088-000	FREEZER, DWR, LEFT. SLIDE, BM 7 SERIES	2	EA	
11	053024-000	FREEZER, DWR, FR, L SLIDE CLIP, BM 7 SERIES	2	EA	
12	013397-000	1" PAINTED LADDER SCREW	8	EA	
13	058753-000	FASTENER, SCR, B, BTNH, SKHD, SST, 1/4-20, 5/8	24	EA	
14	048096-000	PAN ASSY- 6-1/2"	1	EA	
Not Shown	NOTE	(BEFORE 03/14/17)		EA	
14	062564-000	DRAWER, CRISPER, ASM, BM 7 SERIES	1	EA	
Not Shown	NOTE	(ON OR AFTER 03/14/17)		EA	
15	063549-000	GLASS, CRISPER, ASM, 7 SERIES BM	1	EA	
16	063634-000	SPACER, SLIDE, CRIPSER, SIDE, HINGE	1	EA	



Item	Part No.	Name	Qty	Uom	NOTES
NI	069583-006	BRACKET, EXTENDED, SHLF, FF, HINGE, BM 7 SERIES	1	EA	
NI	069581-006	BRACKET, EXTENDED, SHLF, FF, HANDLE, BM 7 SERIES	1	EA	

FZ Drawers View



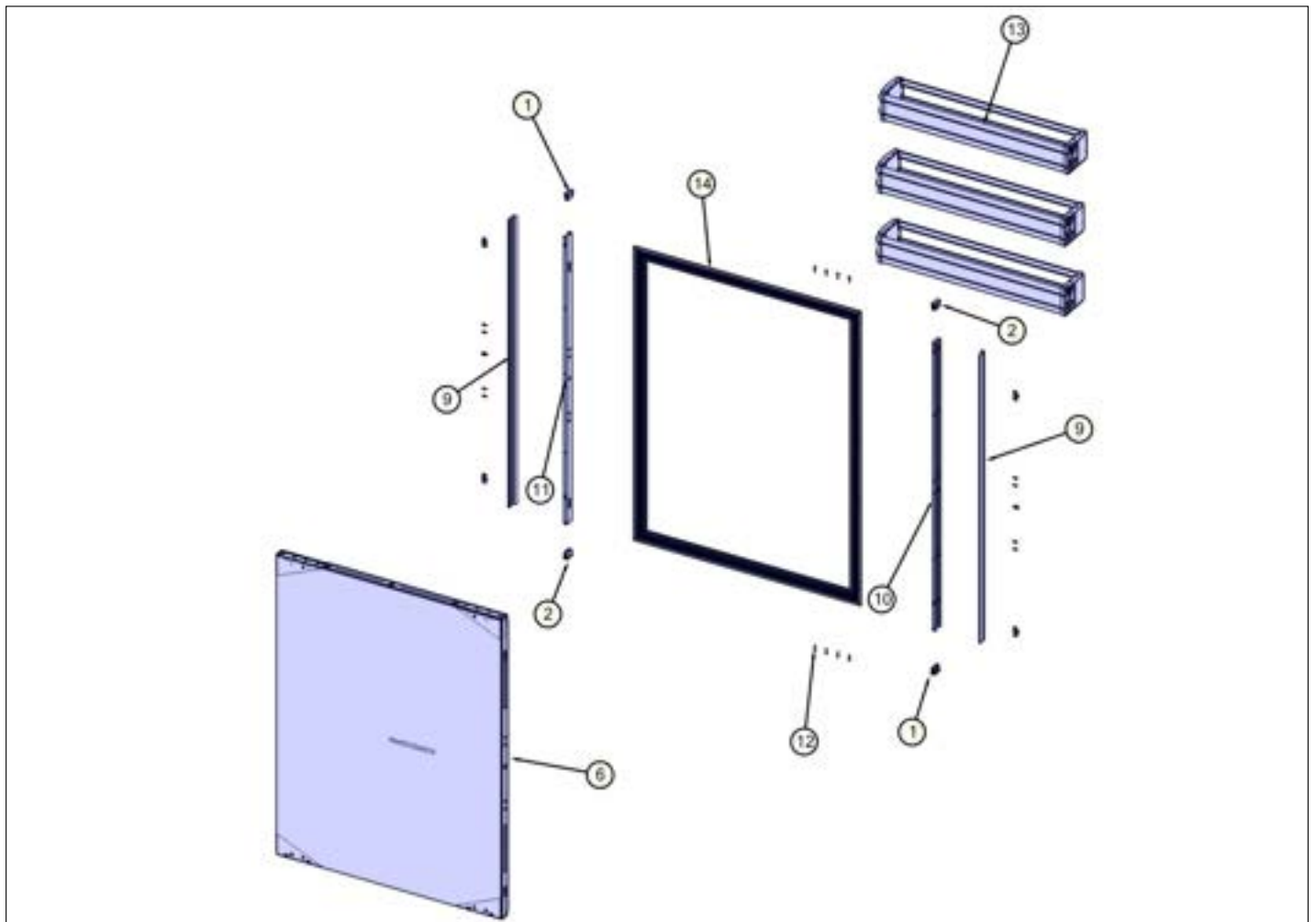


Item	Part No.	Name	Qty	Uom	NOTES
8	057601-000	TOP DRAWER, FOAMED, ASM, BM 7 SERIES	1	EA	
9	074578-006	DRAWER, FREEZER, TOP, BM 7 SERIES	1	EA	
10	057602-000	BOTTOM, DRAWER, FOAMED, ASM, BM 7 SERIES	1	EA	
11	054868-000	SUPPORT, BOT, TRIM, BOTTOM DRAWER, BM 7 SERIES	1	EA	
12	074557-006	DRAWER, FREEZER, BOT, BM 7 SERIES	1	EA	
13	054862-000	TOP, TRIM, BOT, DRAWER, BM 7 SERIES	1	EA	
14	065830-000	GASKET, TOP, FZ, DRAWER, BM 7 SERIES	1	EA	
15	065832-000	GASKET, BOTTOM, FZ, DRAWER, BM 7 SERIES	1	EA	
16	054822-000	CHANNEL, EXTR, TRIM, LEFT, TOP DRAWER, BM 7 SERIES	1	EA	
17	054833-000	COVER, CHNL, TRIM, SIDES, TOP DRAWER, BM 7 SERIES	2	EA	
18	054819-000	CHANNEL, EXTR, TRIM, RIGHT, TOP DRAWER, BM 7 SERIES	1	EA	
19	054856-000	TOP, TRIM, TOP DRAWER, BM 7 SERIES	1	EA	
20	054852-000	CHANNEL, EXTR, BRZ, TRIM, RIGHT, BOTTOM DRAWER, BM 7 SERIES	1	EA	
21	054865-000	COVER, CHNL, TRIM, SIDES, BOT DRAWER, BM 7 SERIES	2	EA	
22	054853-000	CHANNEL, EXTR, TRIM, LEFT, BOTTOM DRAWER, BM 7 SERIES	1	EA	
23	053263-000	FREEZER, DWR, REAR, BO, TOP, SLIDE, CLIP, BM 7 SERIES	2	EA	
24	053262-000	FREEZER, DWR, REAR, BOT, SLIDE, CLIP, BM 7 SERIES	2	EA	
25	053607-000	FREEZER, LIGHT, SWITCH, ACTIVATOR, BM 7 SERIES	2	EA	
26	054837-000	SCREW, ECCENTRIC, SPACER, BM 7 SERIES	6	EA	
27	PD020194	SCR, HEX SRTD WSHR HD, #8-18 X 1/2	21	EA	



Item	Part No.	Name	Qty	Uom	NOTES
28	053606-000	FREEZER, DWR, LIGHT, SWITCH, SCREW, BM 7 SERIES	2	EA	
29	053603-000	BRACKET, LT, FREEZER, DWR, BM 7 SERIES	2	EA	
30	053254-000	DIVIDER, DWR, BOT, FREEZER, BM 7 SERIES	2	EA	
31	053253-000	DIVIDER, DWR, TOP, CPLT, FREEZER, BM 7 SERIES	2	EA	
32	058532-000	ICE BIN, ASSY, BM 7 SERIES	1	EA	
NI	058854-000	WASHER, DOORS, CHANNELS, BM 7 SERIES	18	EA	
NI	062978-000	FASTENER, SCR, 8-15 X 1/2 TORX ROUND HEAD ZPS	14	EA	

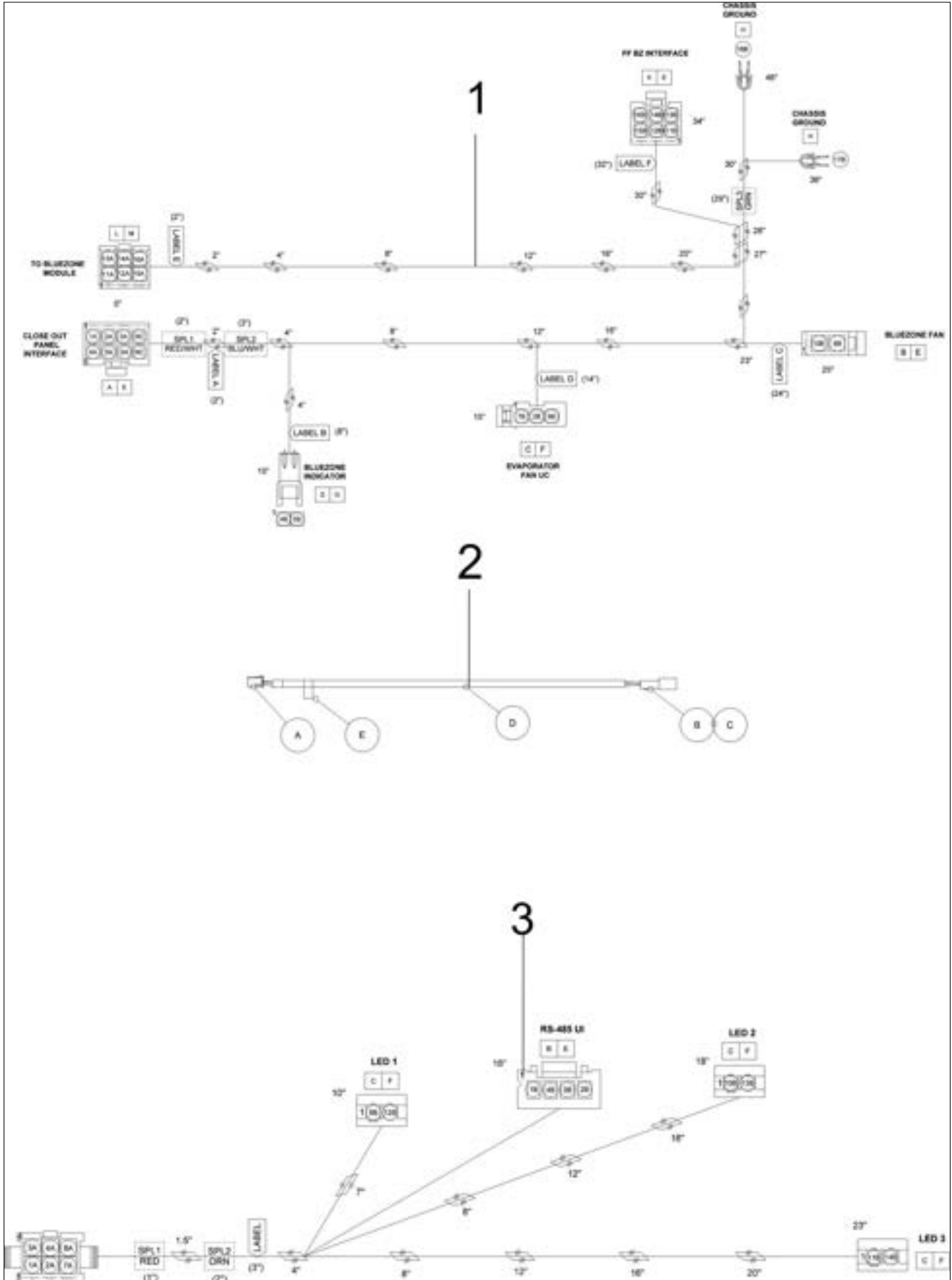
FF Door View





Item	Part No.	Name	Qty	Uom	NOTES
1	062095-000	CAP, END, DOOR TRIM	2	EA	
2	062115-000	CAP, END, DOOR TRIM, RH	2	EA	
6	057781-000	FF. DOOR, RH, FOAMED, ASM, BM 7 SERIES	1	EA	
9	054623-000	COVER, CHNL, TRIM, SIDES, FF, DOOR, BM 7 SERIES	2	EA	
10	054624-000	TRIM, EXTRUSION, R, FF, DOOR	1	EA	
11	055978-000	TRIM, EXTR, L, FF, DOOR, BM 7 SERIES	1	EA	
12	PD920174	10X7/8 PHILLIPS SMA TRI LOBE SA	8	EA	
13	056129-000	DOOR, BIN, ASSEMBLY, BM 7 SERIES	3	EA	
14	065829-000	GASKET, FF DOOR, ASSY, BM 7 SERIES	1	EA	

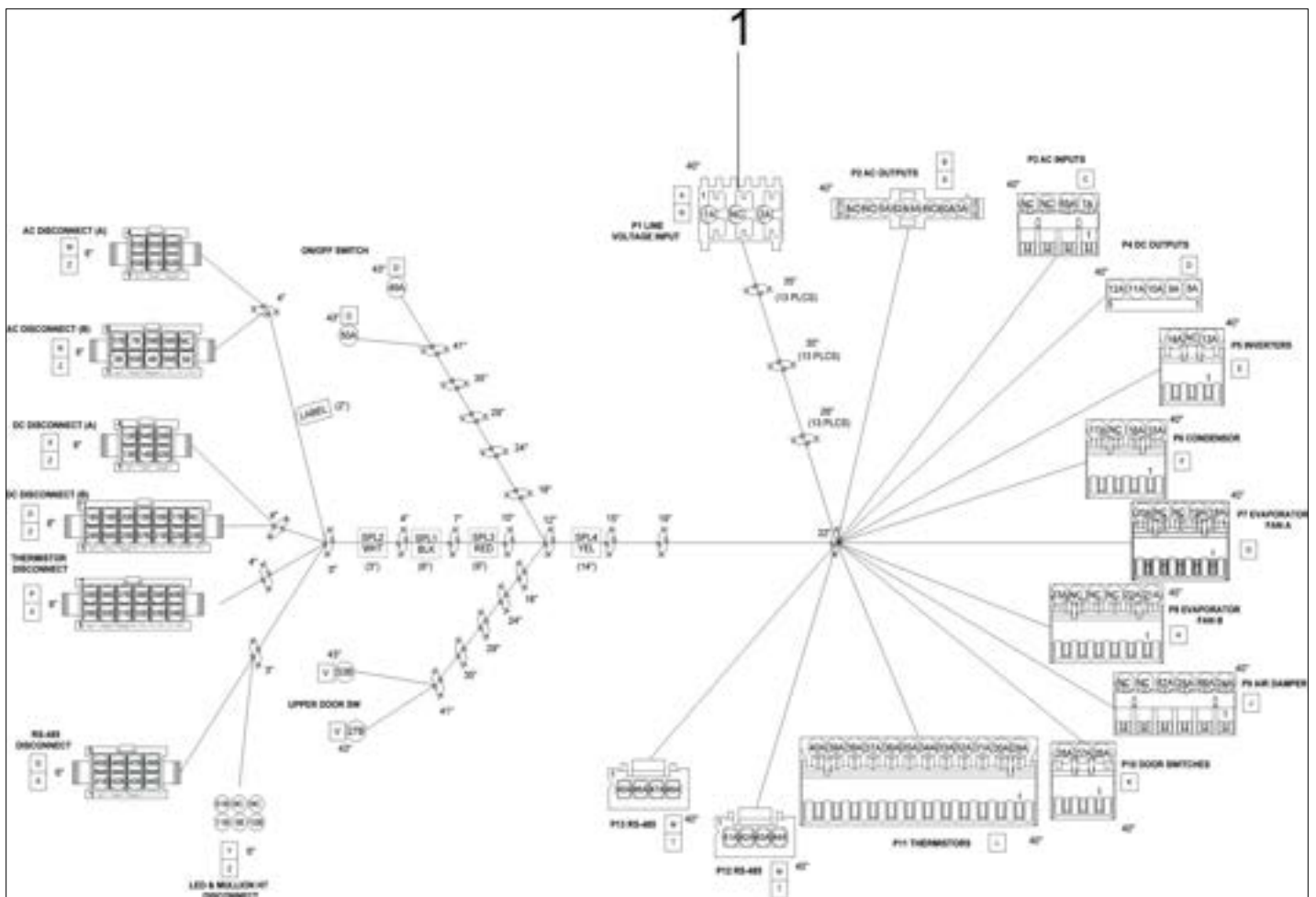
WIRING VIEW





Item	Part No.	Name	Qty	Uom	NOTES
1	062883-000	HARN, FF, PANEL CLOSEOUT	1	EA	
2	055314-000	HARNESS, USB JUMPER	1	EA	
3	050052-000	HARN, BM, UI CONTROL	1	EA	
NI	063639-000	HARN, BM, MC FIXED	1	EA	
NI	062782-000	HARN, BM, CONTROL TO MC	1	EA	
NI	062785-000	HARN, BM, FRESH FOOD, DC	1	EA	
NI	058907-000	HARN, BM, FREEZER LED	2	EA	
NI	062786-000	HARN, VALVES, 7 SERIES	1	EA	
NI	050048-000	HARNESS, BM, FRESH FOOD, AC	1	EA	

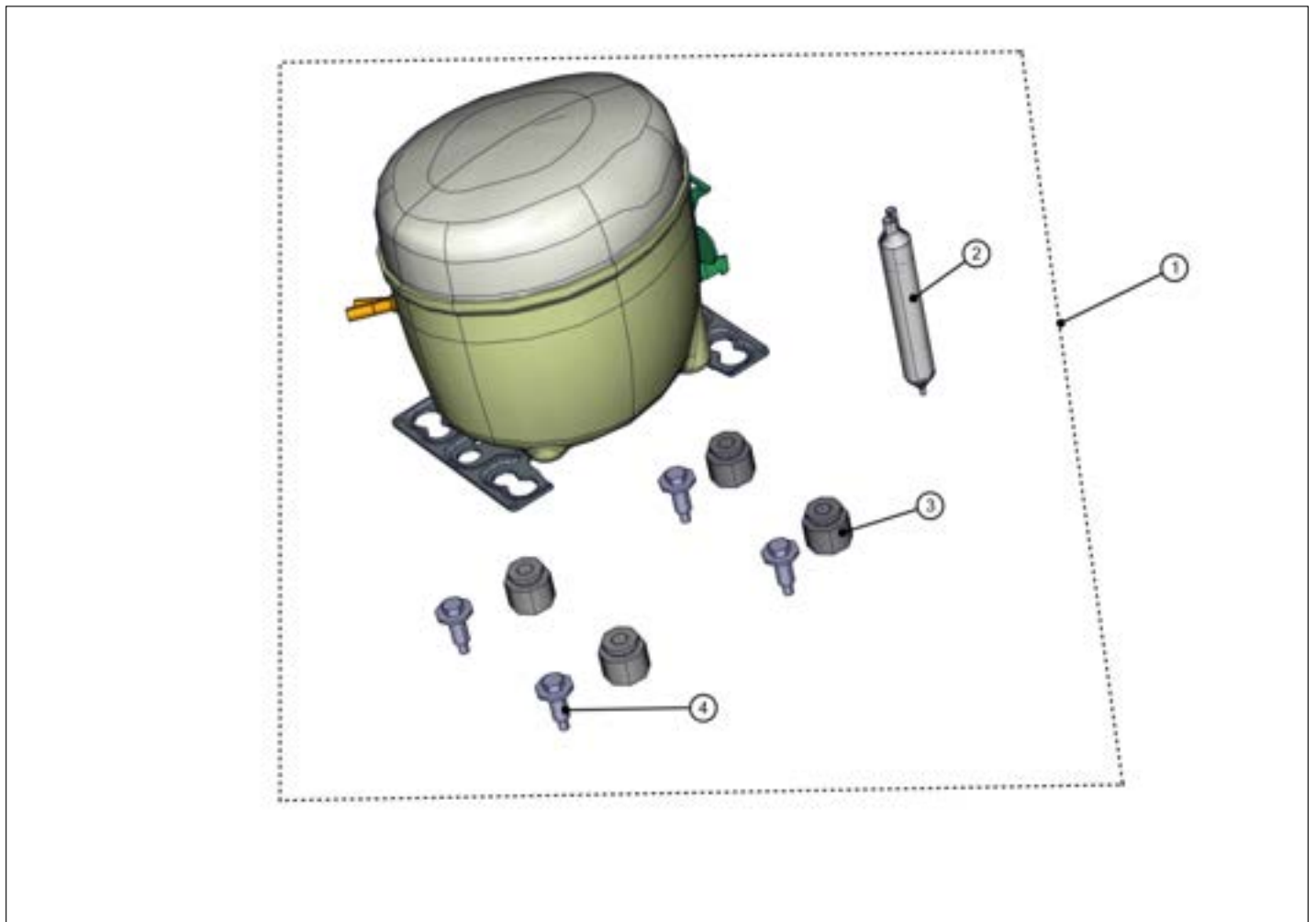
WIRING VIEW 2





Item	Part No.	Name	Qty	Uom	NOTES
1	062784-000	HARNESS, BM, CONTROL	1	EA	

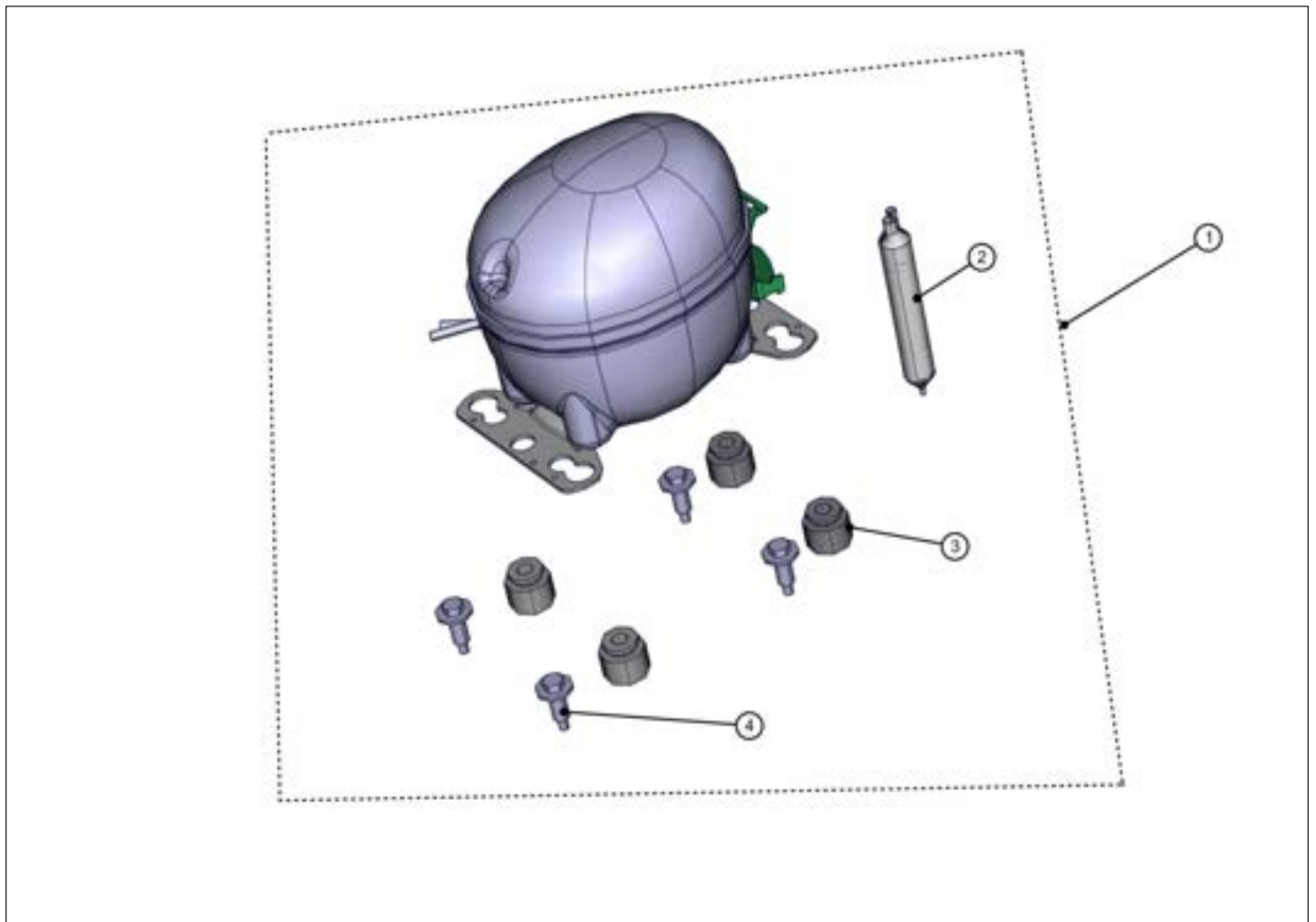
VBI7360 FZ Compressor kit





Item	Part No.	Name	Qty	Uom	NOTES
1	060571-000	FREEZER, CMPR KIT, BM 7 SERIES	1	EA	
2	030926-000	DRIER - HIGH SIDE	1	EA	
3	053739-000	GROMMET, CMPR, BM 7 SERIES	4	EA	
4	M0221523	SCREW - SHLDR	4	EA	

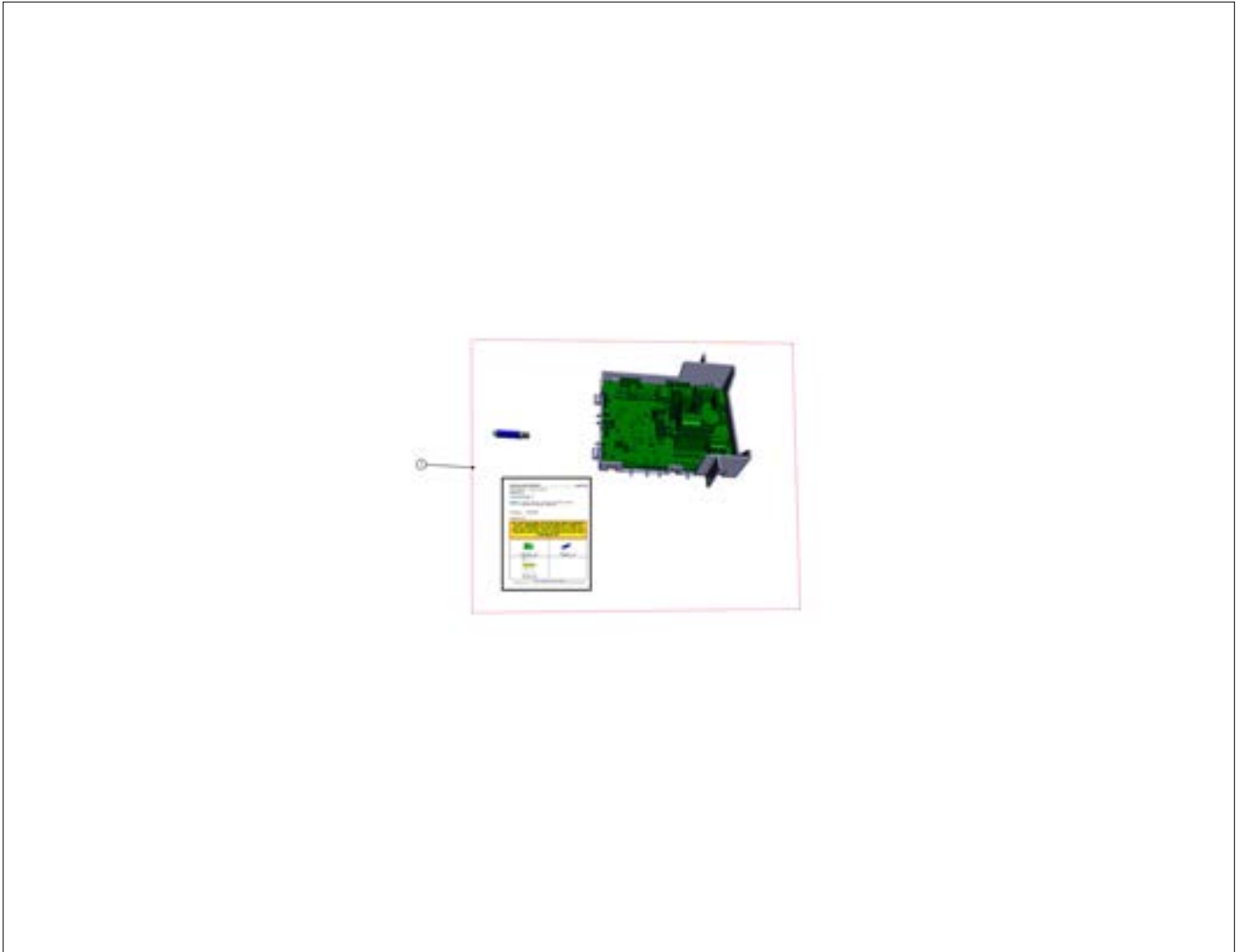
VBI7360 FF Compressor Kit





Item	Part No.	Name	Qty	Uom	NOTES
1	060570-000	FF. CMPR KIT BM 7 SERIES	1	EA	
2	030926-000	DRIER - HIGH SIDE	1	EA	
3	053739-000	GROMMET, CMPR, BM 7 SERIES	4	EA	
4	M0221523	SCREW - SHLDR	4	EA	

VBI7360 Main control board kit





Item	Part No.	Name	Qty	Uom	NOTES
1	064379-000	MAIN CONTROL BOARD KIT	1	EA	



Appendix A:Pages Index

BOTTOM VIEW 1
CABINET VIEW 2
FF Door View 8
FZ Drawers View 7
INTERIOR SHELVING VIEW 6
Interior View 3
Main Control View 5
VBI7360 FF Compressor Kit12
VBI7360 FZ Compressor kit 11
VBI7360 Main control board kit 13
WIRING VIEW 9
WIRING VIEW 210
Water System View 4



Appendix B:Parts Index

003104-000	5	053827-000	3
007301-000	3, 5	053834-000	1
013397-000	5, 6	053885-000	1
023005-000	1	053911-000	1
023112-000	4	053929-000	1
030926-000	1, 11, 12	053930-000	1
042764-000	2	053940-518	5
042766-000	5	053987-000	1
044694-000	2	053996-000	1
046358-000	2	054022-000	1
048096-000	6	054026-000	1
048103-000	3	054030-000	1
049983-000	3	054048-000	1
050048-000	9	054083-000	5
050052-000	9	054084-000	5
050844-000	3	054085-000	5
052832-000	2	054086-000	5
052974-000	3	054295-000	1
053024-000	6	054296-000	1
053025-000	6	054404-000	3
053062-000	1	054600-000	1
053088-000	6	054620-000	3
053091-000	6	054622-000	2
053253-000	7	054623-000	8
053254-000	7	054624-000	8
053262-000	7	054625-000	3
053263-000	7	054688-000	3
053440-000	6	054703-000	4
053520-000	5	054790-000	2
053521-000	5	054801-000	4
053541-000	5	054819-000	7
053549-000	5	054822-000	7
053564-000	5	054833-000	7
053603-000	7	054837-000	7
053606-000	7	054848-000	4
053607-000	7	054851-000	4
053610-000	6	054852-000	7
053739-000	1, 11, 12	054853-000	7
053820-000	3	054856-000	7
053821-000	3	054862-000	7
		054865-000	7



054868-000	7	058225-000	2
054910-000	2	058257-000	2
054917-000	1	058316-000	2
054931-000	4	058374-000	2
054974-000	4	058375-000	4
055017-000	4	058384-000	4
055020-000	2	058385-000	4
055023-000	2	058398-000	1
055024-000	2	058406-000	3
055042-000	2	058426-000	3
055046-000	4	058451-000	4
055051-000	1	058452-000	1
055054-000	1	058475-000	3
055101-000	4	058487-000	4
055314-000	9	058528-000	5
055344-000	4	058529-000	5
055471-000	3	058532-000	3, 7
055978-000	8	058534-000	2
056129-000	8	058535-000	1, 3
057058-000	3	058545-000	5
057059-000	1, 3	058672-000	5
057349-000	3	058677-000	2
057498-000	4	058753-000	6
057538-000	2	058854-000	7
057601-000	7	058879-000	4
057602-000	7	058907-000	9
057606-000	3	059022-000	5
057607-000	3	059043-000	2
057608-000	3	059105-000	5
057691-000	6	059487-000	5
057731-000	4	059650-000	3
057781-000	8	059877-000	5
057813-000	3	059922-000	1
057883-000	4	059927-000	4
057884-000	2	059963-000	4
057885-000	2	060012-000	3
057907-000	3	060013-000	3
057908-000	3	060092-000	1
058082-000	3	060129-000	1
058086-000	4	060217-000	4
058217-000	1	060221-000	3



060302-000	3	065829-000	2, 8
060570-000	12	065830-000	7
060571-000	11	065832-000	7
060814-000	3	066362-000	1, 3
060892-000	1	066364-000	3
061400-000	4	066365-000	1
061548-000	1	066427-000	2
061597-000	4	066517-000	4
061603-000	2	066702-000	2, 4
061620-601	4	066705-000	2
061626-000	4	067217-000	2
062095-000	8	067388-601	4
062115-000	8	068565-000	3
062564-000	6	068842-000	2
062702-000	2	069581-006	6
062703-000	2	069583-006	6
062782-000	9	069645-000	2
062784-000	10	070306-603	5
062785-000	9	071766-006	6
062786-000	9	072399-000	6
062810-000	4	072400-000	6
062883-000	9	073023-000	2
062978-000	2, 2, 7	074557-006	7
063269-501	5	074578-006	7
063544-000	3	075914-000	3
063545-000	3	076579-000	4
063546-000	3	10547001	1
063547-000	3	12059801	1
063549-000	6	12234001	3
063634-000	6	A3189370	2
063639-000	9	C8983701	3
063650-000	4	L2198650	3
063714-000	2	M0104106	3
063727-000	3	M0210458	5
064080-000	3	M0221523	1, 11, 12
064232-000	2	M0238859	5
064234-000	2	PA070016	4
064379-000	5, 13	PD020010	5
064427-000	3	PD020194	5, 7
064849-000	3	PD040044	5
064978-000	4	PD920174	8



PD950012	2, 2
PD950013	2, 3
PE950121	6
PE950122	6
PE950149	5
PM010605	3
PM910280	6
RBZB7	3
f2097740	1
m0104106	5