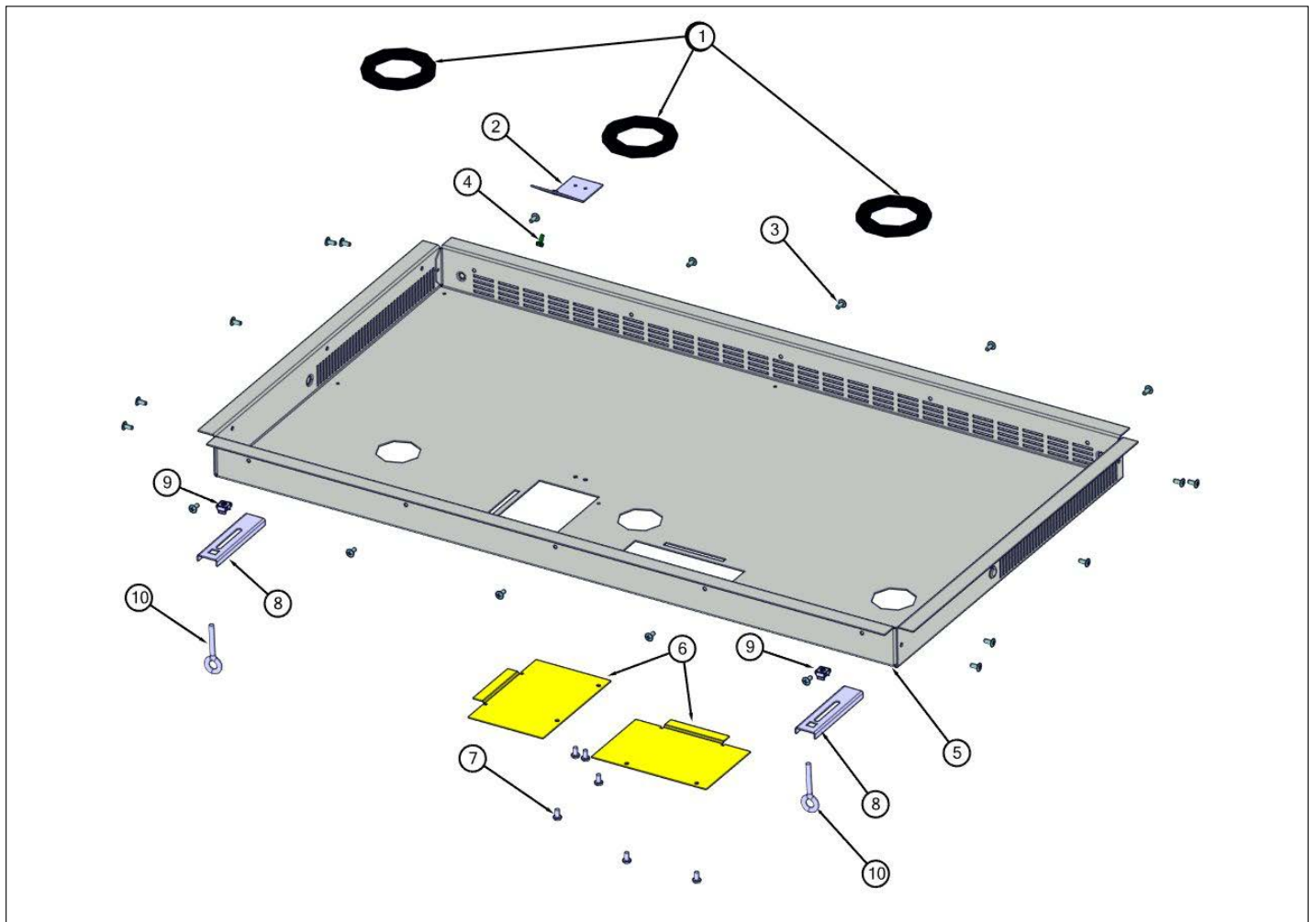


CMVIC6365B

Burner Box View	1
Top and Electrical View	2
Wiring Diagram View	3
Appendix A:Pages Index	A
Appendix B:Parts Index	B

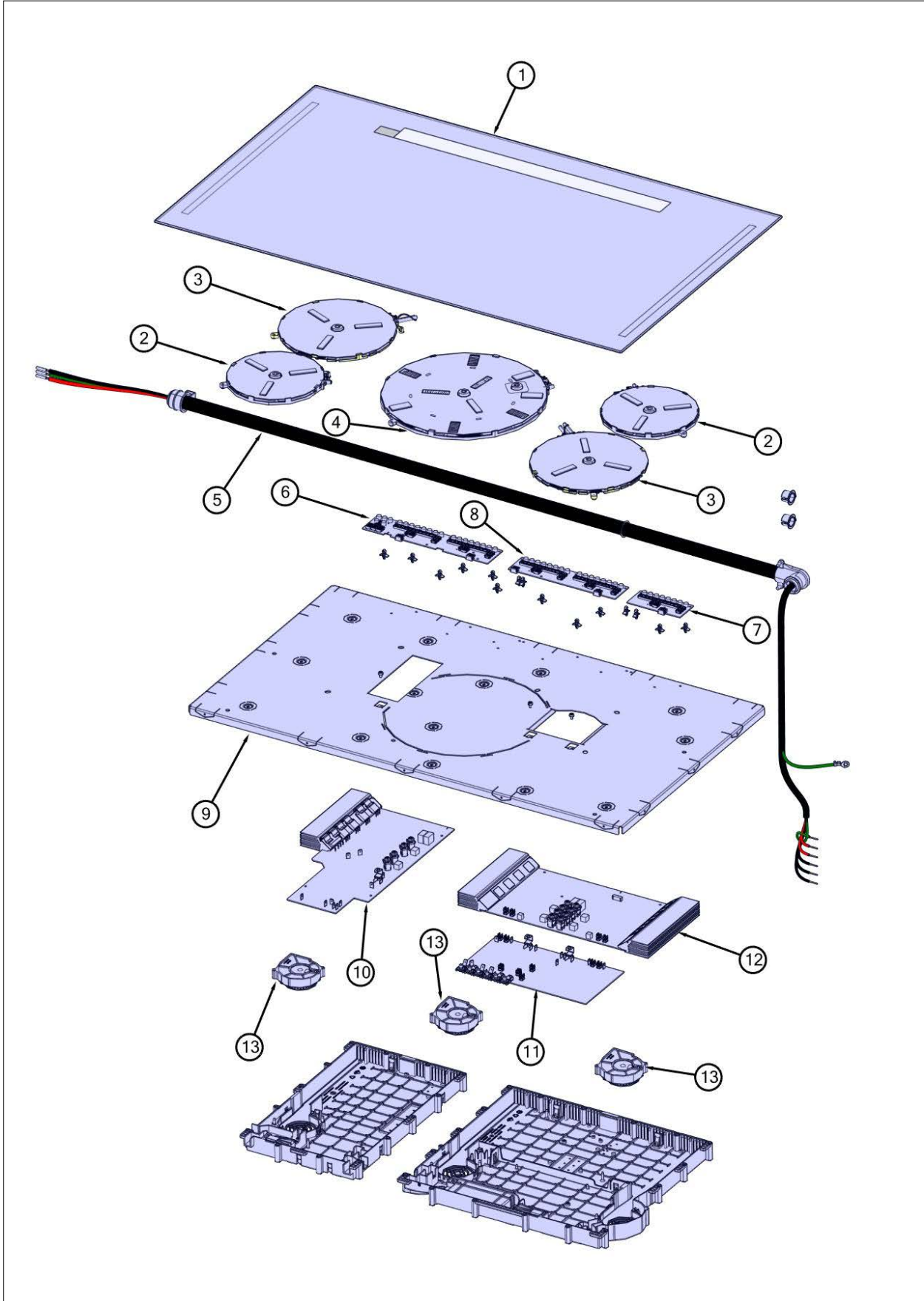
Burner Box View





Item	Part No.	Name	Qty	Uom	NOTES
1	003820-000	INDUCTION FAN SEAL - NLA	3	EA	
2	062717-000	BRACKET, GNDG	1	EA	
3	008863-000	SCREW NO.8 - 18 X 3/8, PHIL, LOW PROFILE TRUSS	20	EA	
4	PD020010	10 X 3/8 GREEN GROUNDING SCREW	1	EA	
5	060807-000	BOX, BNR, INDUCTION, 36 MVIC	1	EA	
6	061639-000	COVER, TERMINAL BLOCK, MVIC	2	EA	
7	PD020004	10X3/8PH.HD.TYPE 25 REPL PD040125	6	EA	
8	038618-000	BRACKET, HOLD	6	EA	
9	PD030029	SELF RETAINING NUT (1/4-20)	6	EA	
10	PD010027	EYE BOLT-VGSU101/161	6	EA	

Top and Electrical View





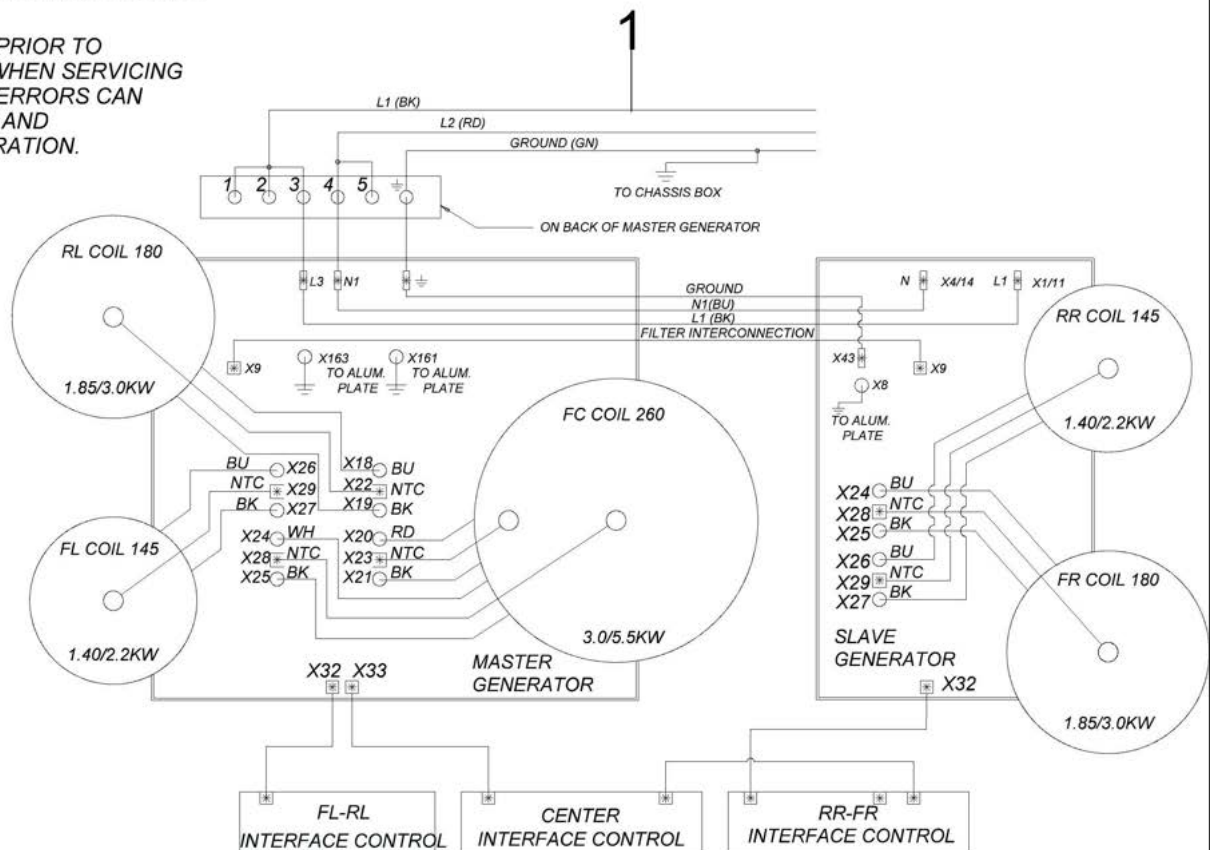
Item	Part No.	Name	Qty	Uom	NOTES
1	065169-000	COOKTOP, GL, CMVIC6365BBG ASSY	1	EA	
2	062021-000	Inductor coil, 1.4kw-2.2kw	2	EA	
3	062033-000	Inductor coil, 1.85kw-3kw	2	EA	
4	062034-000	Inductor coil, 2.6kw-5.5kw	1	EA	
5	062465-000	CONDUIT, 36" MVIC, 8AWG	1	EA	
6	062022-000	Touch control master	1	EA	
7	062028-000	Touch control slave, single	1	EA	
8	062027-000	Touch control slave, double	1	EA	
9	060603-000	MOUNTING PLATE ASSEMBLY (not replaceable)	1	EA	
10	062032-000	Domino generator	1	EA	
11	062031-000	Filter, 4 burner	1	EA	
12	062030-000	Power board	1	EA	
13	062029-000	Fan	3	EA	

Wiring Diagram View

(C) MVIC6365B WIRING DIAGRAM

CONNECT TO: 50 AMP, 240VAC

CAUTION:
 LABEL ALL WIRES PRIOR TO
 DISCONNECTION WHEN SERVICING
 CONTROLS. WIRE ERRORS CAN
 CAUSE IMPROPER AND
 DANGEROUS OPERATION.





Item	Part No.	Name	Qty	Uom	NOTES
1	062967-000	DIAG, W, MVIC6365BBK	1	EA	



Appendix A:Pages Index

Burner Box View1
Top and Electrical View2
Wiring Diagram View 3



Appendix B:Parts Index

003820-000	1
008863-000	1
038618-000	1
060603-000	2
060807-000	1
061639-000	1
062021-000	2
062022-000	2
062027-000	2
062028-000	2
062029-000	2
062030-000	2
062031-000	2
062032-000	2
062033-000	2
062034-000	2
062465-000	2
062717-000	1
062967-000	3
065169-000	2
PD010027	1
PD020004	1
PD020010	1
PD030029	1