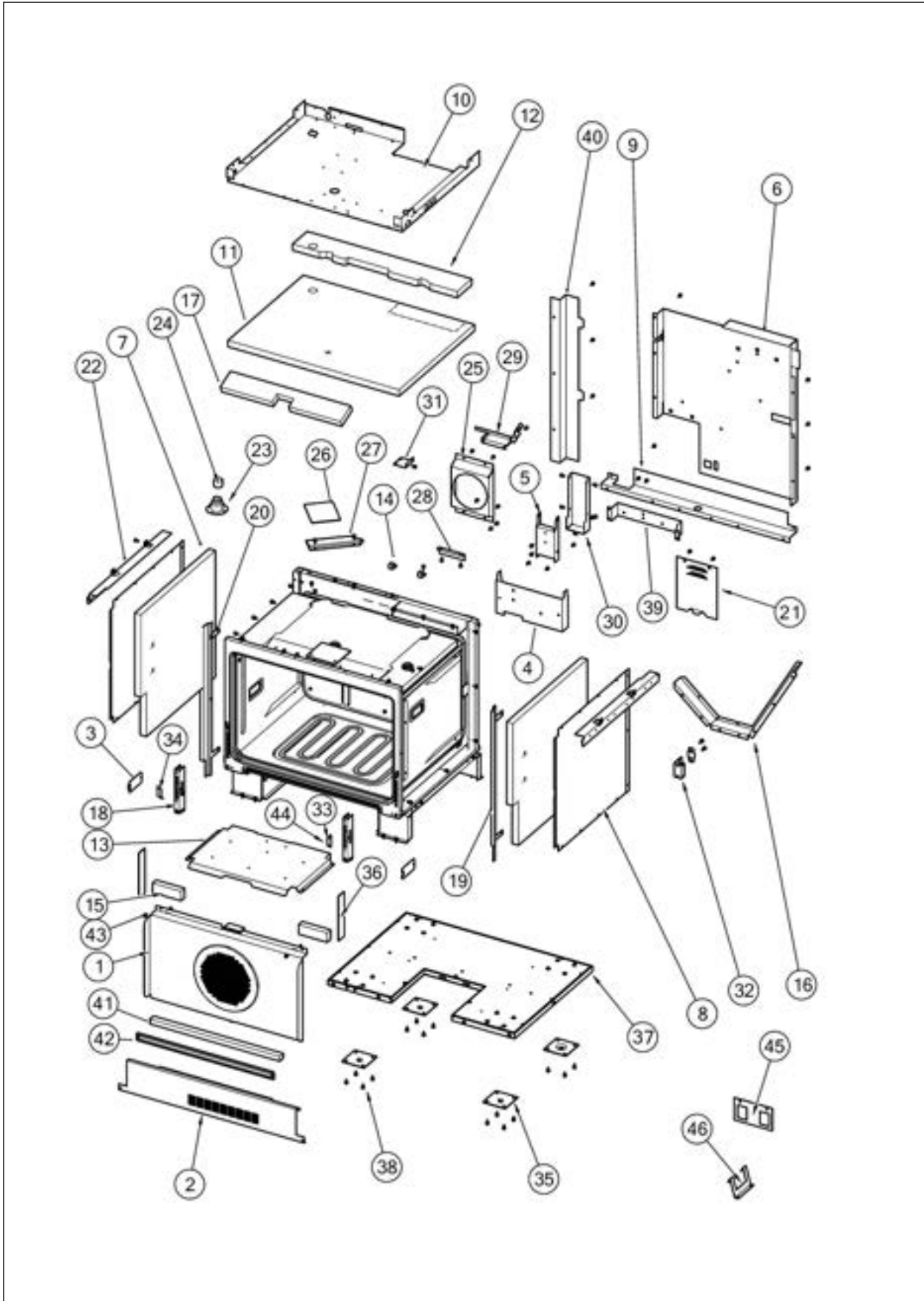


CRVDR3305

BASE	1
CONTROL	2
DECOR	3
DOOR	4
ELECTRICAL	5
GAS	6
SURFACE	7
Appendix A:Pages Index	A
Appendix B:Parts Index	B

BASE



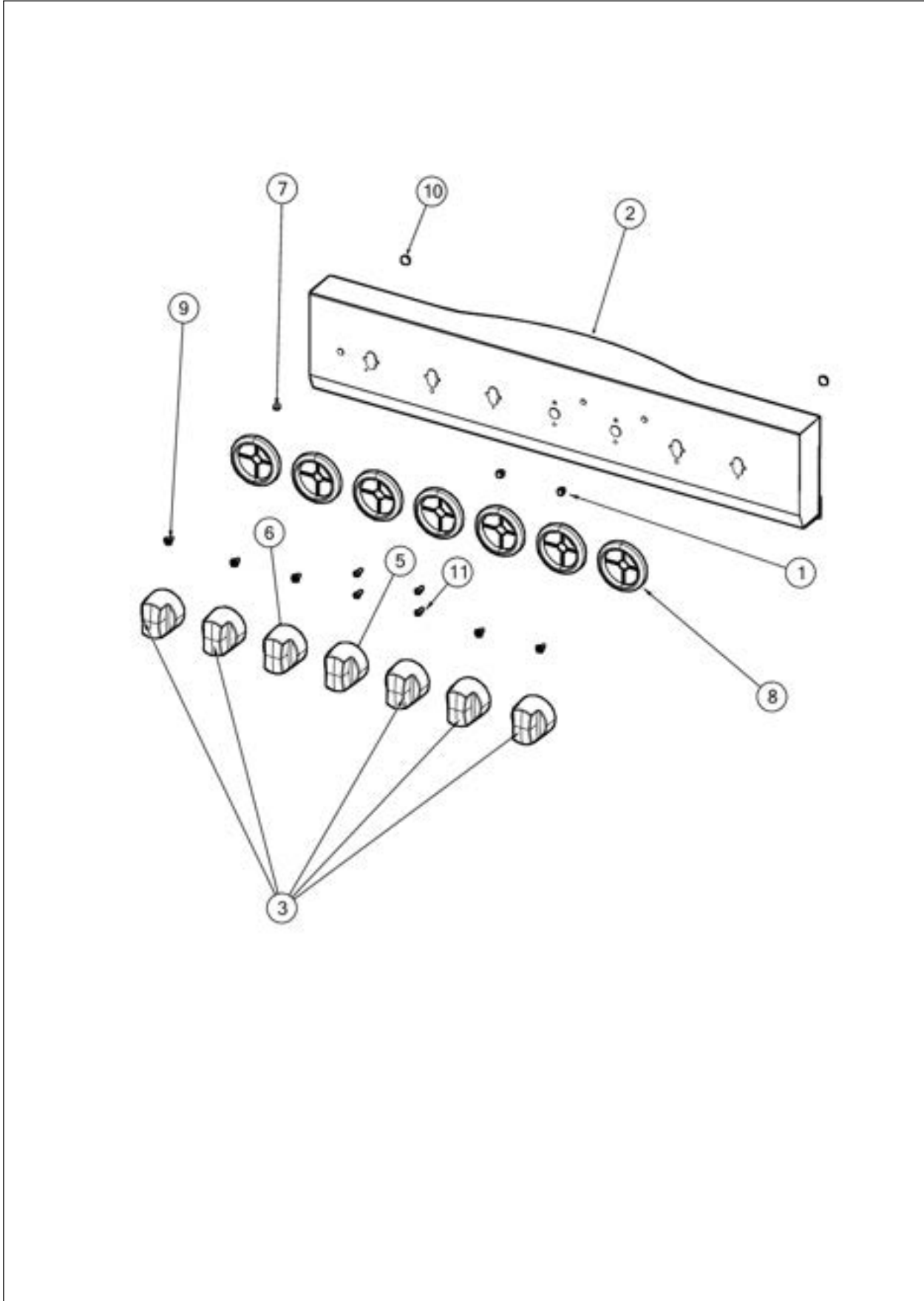


Item	Part No.	Name	Qty	Uom	NOTES
1	032857-000	BAFFLE, CNVN, ASM, D3 BLACK	1	EA	
2	014246-000	GRILL, LOWER	1	EA	
3	032858-402	COVER, LT, BK PORCELAIN	2	EA	
4	014553-000	DUCT, AIR	1	EA	
5	014554-000	BOX, FLUE, FRONT	1	EA	
6	003272-000	COVER, BACK- INTERNATIONAL	1	EA	
7	013528-000	30" SIDE INSULATION	2	EA	
8	014137-000	WRAPPER, OVEN SIDE	2	EA	
9	014240-000	LEDGE, BACK	1	EA	
10	015615-000	BRACE, RNG, AIR CHANNEL	1	EA	
11	013526-000	30" TOP INSULATION	1	EA	
12	013542-000	30" TOP BROIL INSULATION	1	EA	
13	A20014021	REFLECTOR, BROIL	1	EA	
14	PD030109	INSULATED CLAMP	2	EA	
15	005255-000	HINGE INSULATION	2	EA	
16	002941-000	BAFFLE, FAN, REAR	1	EA	
17	013563-000	LINER FRONT INSULATION	1	EA	
18	031679-000	RECEPTACLE, HINGE	2	EA	
19	019185-000	TRIM, FR, RH, DSCD	1	EA	
20	019186-000	TRIM, FR, LH, DSCD	1	EA	
21	A2002454	BACK, COVER ACCESS DOOR	1	EA	
22	A2009641	BRKT, TOP WRAPPER	2	EA	
23	PM010014	SMOKE ELIMINATOR (VDSC)	1	EA	
24	PB020275	VENT TUBE	1	EA	
25	A2009697	BRACKET, CONVECTION INSULATION	1	EA	
26	004285-000	INSULATION, FOIL- BACKED,4"x5"	1	EA	
27	003333-000	DUCT, FLUE	1	EA	
28	A20014044	BROIL ELEMENT SHIELD	1	EA	
29	003356-000	DIVERTER, AIR	1	EA	
30	A20010101	FLUE, OUTSIDE SHELL	1	EA	
31	A20012649	DOOR SWITCH BRACKET	1	EA	



Item	Part No.	Name	Qty	Uom	NOTES
32	A2002195	POWER CORD MOUNTING BRKT (VDSC)	1	EA	
33	039145-000	RETAINER, HINGE	1	EA	
34	039155-000	RETAINER, HINGE	1	EA	
35	PC030007	LEG PLATE - 3/4" THREADED HOLE	4	EA	
36	013572-000	HINGE INSULATION	2	EA	
37	003052-000	BASE TOP PLATE	1	EA	
38	003860-000	10-18 x .500 FASTNR,SCR,HXWH,STL,ZPLT	16	EA	
39	004110-000	Blower Mount	1	EA	
40	015607-000	CHANNEL, WIRE, DSCD	1	EA	
41	013547-000	BAKE ELEMENT INSULATION	1	EA	
42	E9109655	BAKE TRAY COVER	1	EA	
43	PD020048	NO.10 X 1/2 TEK 410 SS SCREW	2	EA	
44	PD020061	' #8 X 3/4 FLAT HD TEK. *SS*	2	EA	
45	034927-000	BRACKET, ANTI-TIP	1	EA	
46	034928-000	BRACKET, HOOK, ANTI-TIP	1	EA	
NI	049133-000	BURNER CHANNEL, FRONT	1	EA	

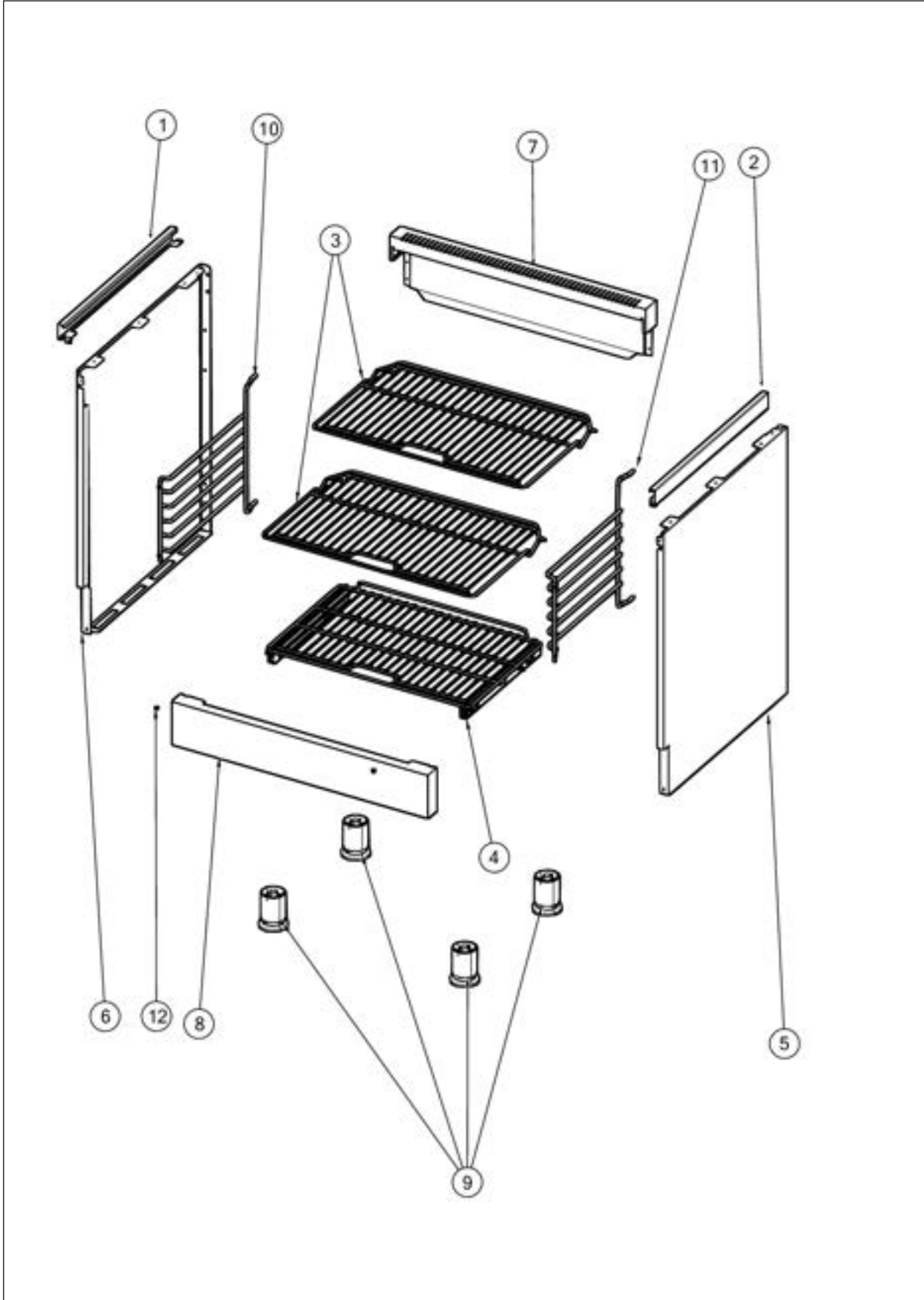
CONTROL





Item	Part No.	Name	Qty	Uom	NOTES
1	027968-000	INDICATOR, LIGHT, BLUE	2	EA	
2	039090-2393	PANEL, CTRL, RDSCD/RDSCG230 ASM	1	EA	
Not Shown	NOTE	MUST ORDER PART # 036576- 000 WITH PANEL		EA	
3	042263-000	KNOB, GAS VALVE, RANGE, D3PO, ASSY	5	EA	
Not Shown	NOTE	(BEFORE 08/08/13)		EA	
3	042658-000	KNOB, BNR, TOP, PRO, CR3	5	EA	
Not Shown	NOTE	(ON OR AFTER 08/08/13)		EA	
5	042266-000	KNOB, TSTAT, RANGE, D3PO, ASSY	1	EA	
Not Shown	NOTE	(BEFORE 09/10/13)		EA	
5	035893-000	KNOB,OVN,TSTAT, PRO VDSC/VESC CR3	1	EA	
Not Shown	NOTE	(ON OR AFTER 09/10/13)		EA	
6	042267-000	KNOB, SEL, ELEC, RANGE, D3PO, ASSY	1	EA	
Not Shown	NOTE	(BEFORE 09/10/13)		EA	
6	035895-000	KNOB,OVN,SEL, PRO VDSC/VESC CR3	1	EA	
Not Shown	NOTE	(ON OR AFTER 09/10/13)		EA	
7	PA010093	DESIGNER OVEN LT SWITCH KNOB	1	EA	
8	050172-000	BEZEL, KNOB	7	EA	
9	PD020046	' #8 X 1/2 SCREWS	5	EA	
10	PD040004	GROMMET BUMPER	2	EA	
11	PD020261	' #8-32X1/2" PH PANHEAD MACH. SCREW	4	EA	

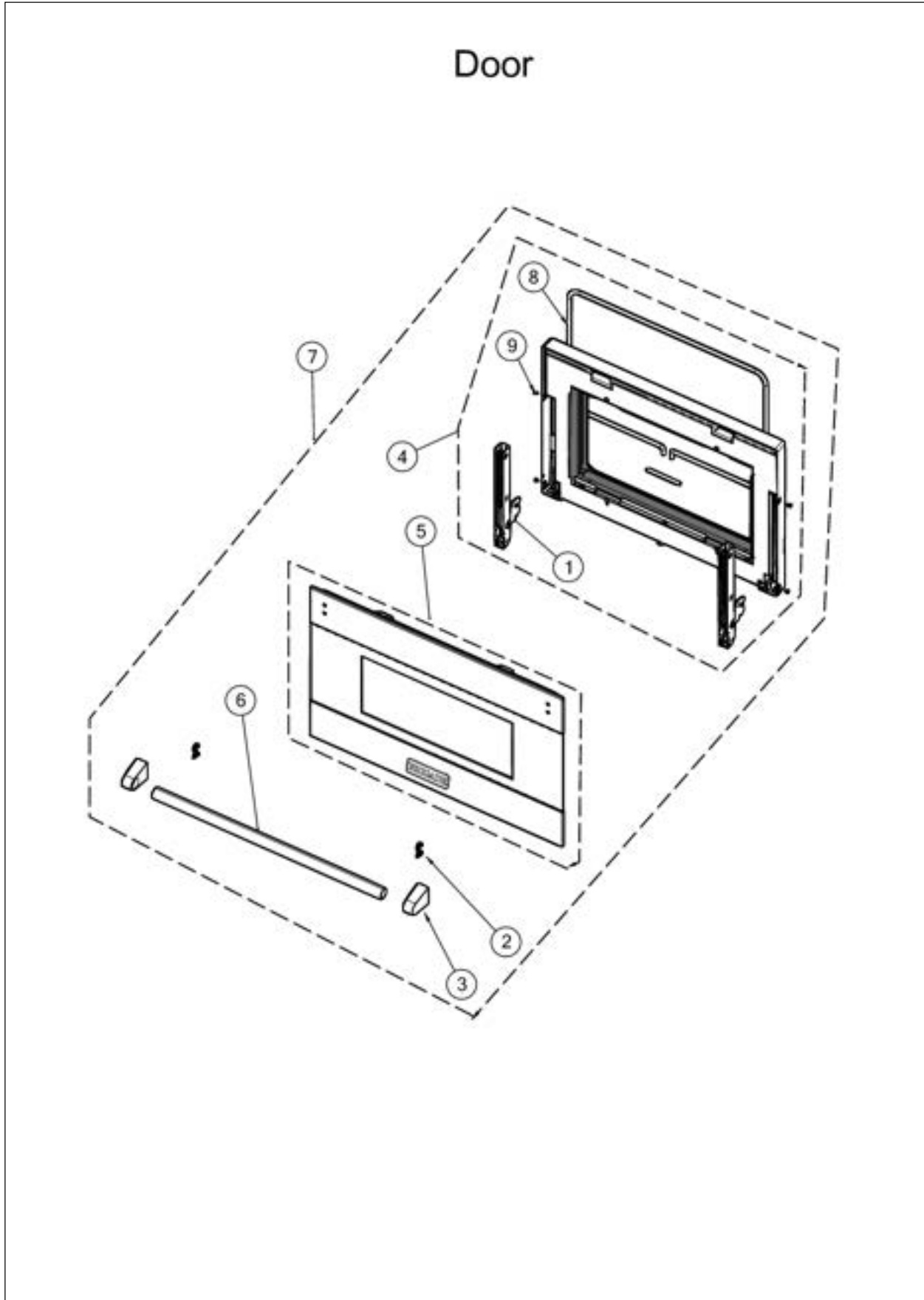
DECOR





Item	Part No.	Name	Qty	Uom	NOTES
1	013986-000	TRIM, SIDE, RT, D130	1	EA	
2	014543-000	TRIM, SIDE, LF, DESIGNER	1	EA	
3	027924-000	RACK, OVEN, DUEL FUEL, 30	2	EA	
4	029891-000	GLIDE RACK, DUEL FUEL 30"	1	EA	
5	032813-000	PNL, SIDE, RH, D3 - SS	1	EA	
5	035006-002	PNL, SIDE, RH, D3 - BK	1	EA	
5	035006-006	PNL, SIDE, RH, D3 - WH	1	EA	
6	032816-000	PNL, SIDE, LH, D3 - SS	1	EA	
6	035005-002	PNL, SIDE, LH, D3 - BK	1	EA	
6	035005-006	PNL, SIDE, LH, D3 - WH	1	EA	
7	032965-000	D3 ISLAND TRIM ASM	1	EA	
8	042511-000	KICK PLATE VIKING 30" - SS	1	EA	
8	042777-002	KICK PLATE VIKING 30" - BK	1	EA	
8	042777-006	KICK PLATE VIKING 30" - WH	1	EA	
9	044178-000	RANGE, LEG, ADJUSTABLE	4	EA	
10	066227-402	RACK SUPPORT, D3, ASM, LH, BK	1	EA	
11	066226-402	RACK SUPPORT, D3, ASM, RH, BK	1	EA	
12	PD020032	SRW-8(A)X3/8"PH.WFR HD 7/16DIA*NICL	2	EA	

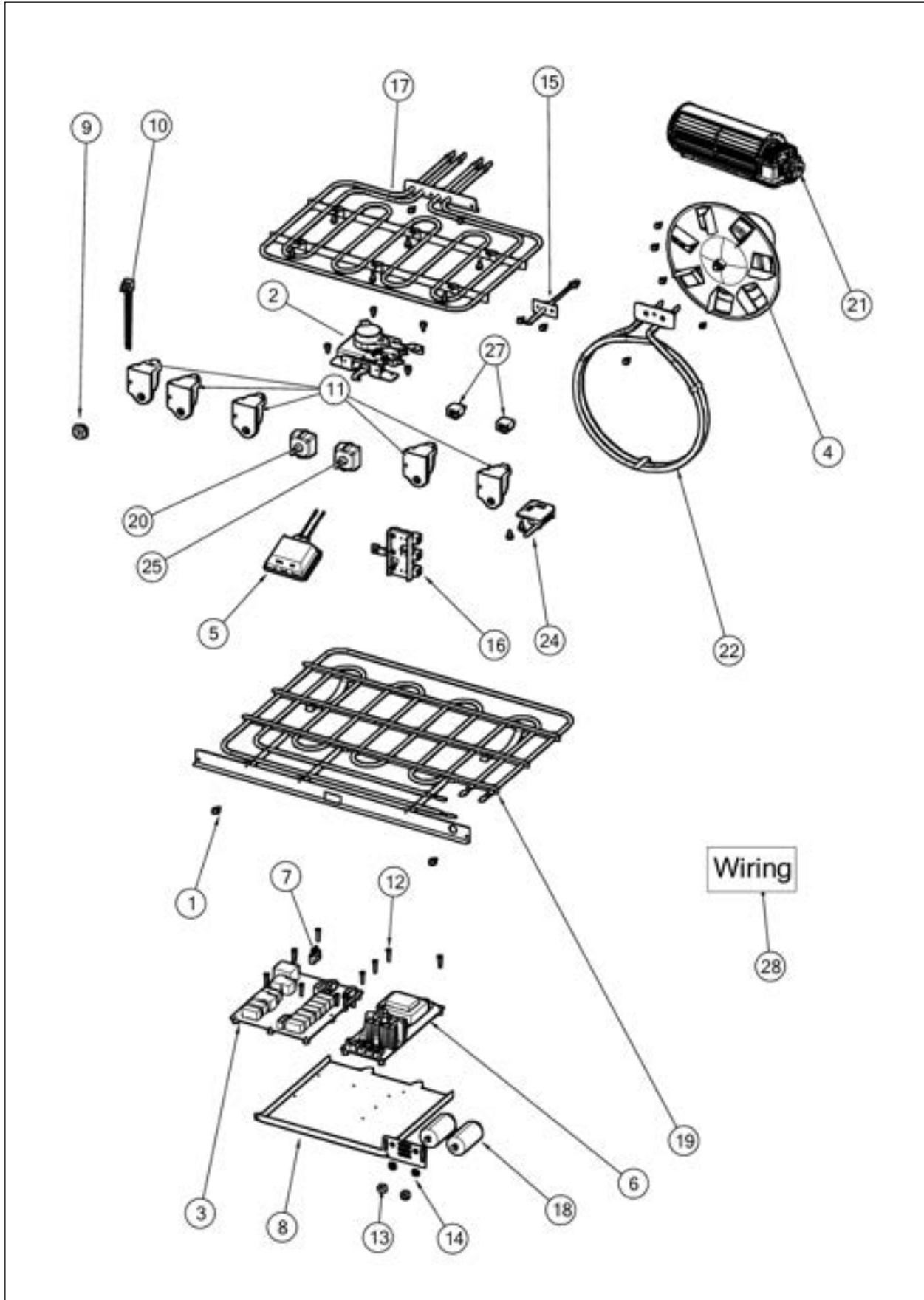
DOOR





Item	Part No.	Name	Qty	Uom	NOTES
1	002740-000	DOOR HINGE	2	EA	See TC-0121-SP Service Bulletin
2	014221-000	1/4-20 X .625 HEX 316 SS	4	EA	
3	026965-000	END CAP, ASM, DOOR HANDLE	2	EA	
4	032849-000	DOOR ASM, D3 RANGE	1	EA	
5	042084-000	DOOR, OUTER, 30 SS, BRIGADE, ASSY	1	EA	
5	042085-002	DOOR, OUTER, D3PO, 30 BK, BRIGADE, ASSY	1	EA	Not available online / Call for pricing and availability
5	042085-006	DOOR, OUTER, D3PO, 30 WH, BRIGADE, ASSY	1	EA	
6	035590-000	W/O DF GAS SS HANDLE	1	EA	
7	042528-000	DOOR, RNG, ELEC, BRIGADE, SS ASSY	1	EA	
7	042529-002	DOOR, RNG, ELEC, BRIGADE, BK ASSY	1	EA	Not available online / Call for pricing and availability
7	042529-006	DOOR, RNG, ELEC, BRIGADE, WH ASSY	1	EA	Not available online / Call for pricing and availability
8	PB070246	30" DOOR GASKET	1	EA	
9	PD020063	SCREW-#8(A) X 3/8"PH WFR HD/BK OXID	8	EA	

ELECTRICAL



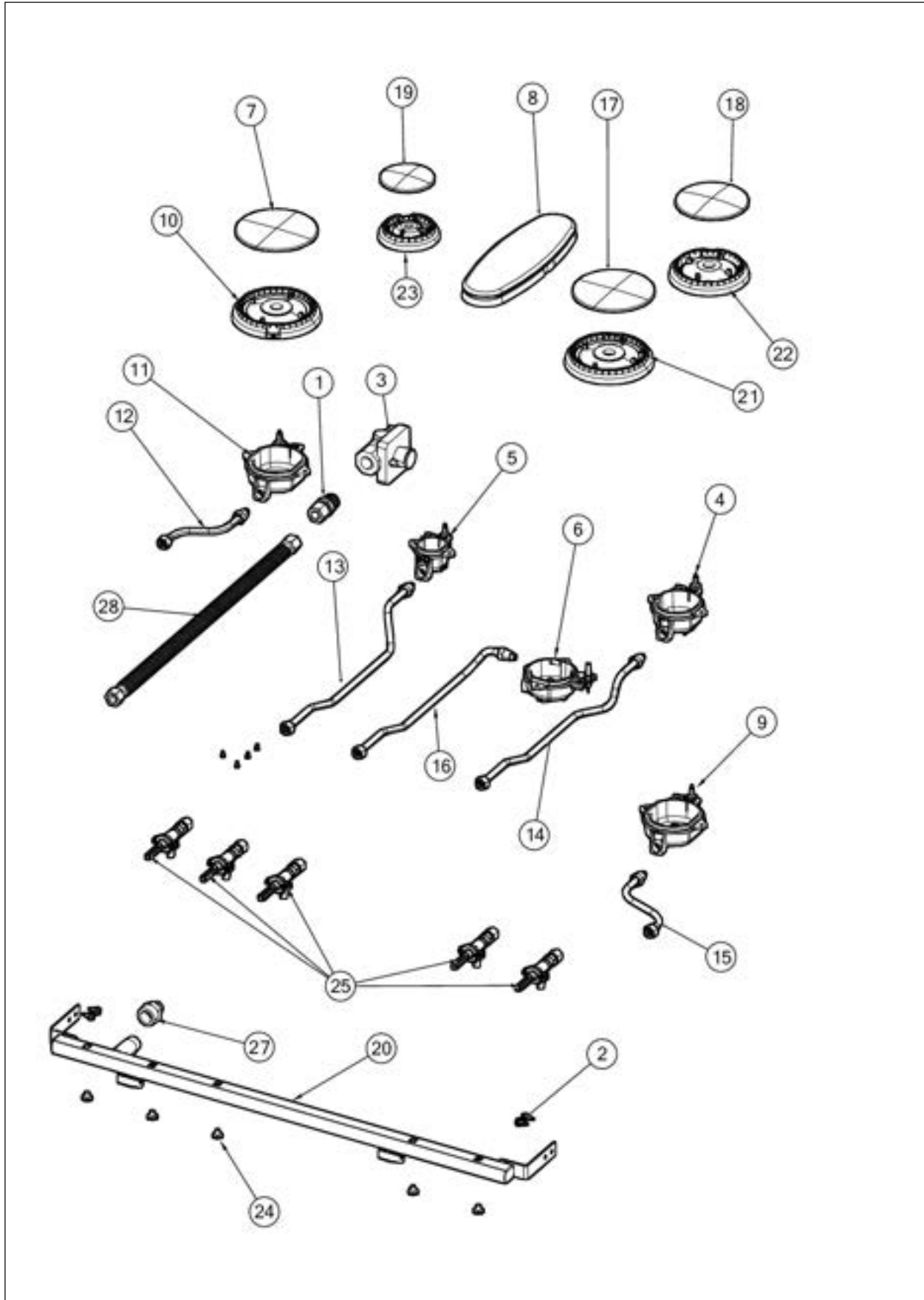


Item	Part No.	Name	Qty	Uom	NOTES
1	003860-000	10-18 x .500 FASTNR,SCR,HXWH,STL,ZPLT	19	EA	
2	013250-000	LATCH,DOOR,ASM,240V,GRID DLE LOCKOUT	1	EA	
3	046142-571	CONTROL, EOC4, LED, V39/V51 & FAMILY	1	EA	
4	015394-000	FAN, CNVN, ASM	1	EA	
5	068038-601	ASM, OVEN, LIGHT, 120V, 40W (REPLACEMENT LAMP USE 078926-000)	1	EA	
6	021340-000	LINEAR POWER SUPPLY, SINGLE	1	EA	
7	023022-000	HARN, HEADER, MODEL 17 (SEE MODEL_HEADER)	1	EA	
8	023825-000	TRAY, CNTRL, EOC4 SMPS	1	EA	
9	036576-000	LIGHT SWITCH ASM	1	EA	
10	G40015469	LIGHT SWITCH ASSEMBLY	1	EA	
11	035795-000	MODULE, IGN, GAS,SNGL	4	EA	
12	PD020043	#6-32 X .750 PH. CTRSK T(F)- VGSO166	14	EA	
13	PD030172	M8 X 1.25MM NUT	2	EA	
14	PD040164	5/16 INTERNAL TOOTH LOCK WASHER TYPE A	2	EA	
15	PE050206	RTD THERMOSTAT PROBE	1	EA	
16	PE070147	TERMINAL BLOCK (VDSC)	1	EA	
17	PJ010004	BAKE ELEMENT (VDSC) 240V	1	EA	
18	036047-000	CAPACITOR, CONV MOTOR, INTL	2	EA	
19	PJ010048	BAKE ELEMENT	1	EA	
20	PJ030033	SELECTOR (10 POS)	2	EA	
21	079169-000	FAN, COOLING, DUAL, 230V, 60 X 180mm	1	each	
22	PJ010047	CONVECTION ELEMENT	1	EA	
24	PE050208	DOOR SWITCH	1	EA	
25	PJ030035	THERMOSTAT	1	EA	
27	043135-000	HOUSING, LIGHT, LED, BLUE, 3.3V	2	EA	
28	020019-000	HARNESS, WRG, CONTROL	1	EA	
28	024869-000	RIBBON CABLE, RH	1	EA	



Item	Part No.	Name	Qty	Uom	NOTES
28	023096-000	ADAPTER, HARN, ASM, LIGHT, SWITCH	1	EA	
28	000647-000	IRIS IGNITOR WIRE, FRONT BURNER	2	EA	
28	006766-000	IRIS IGNITOR WIRE, BACK BURNER	3	EA	
28	038693-000	HARN, MAIN, OVEN, VDSC	1	EA	
28	G4000936	GROUND WIRE	1	EA	
28	PE070739	BAKE ELEMENT HARNESS	1	EA	
28	043678-000	IRIS HARNESS RVGR	1	EA	

GAS



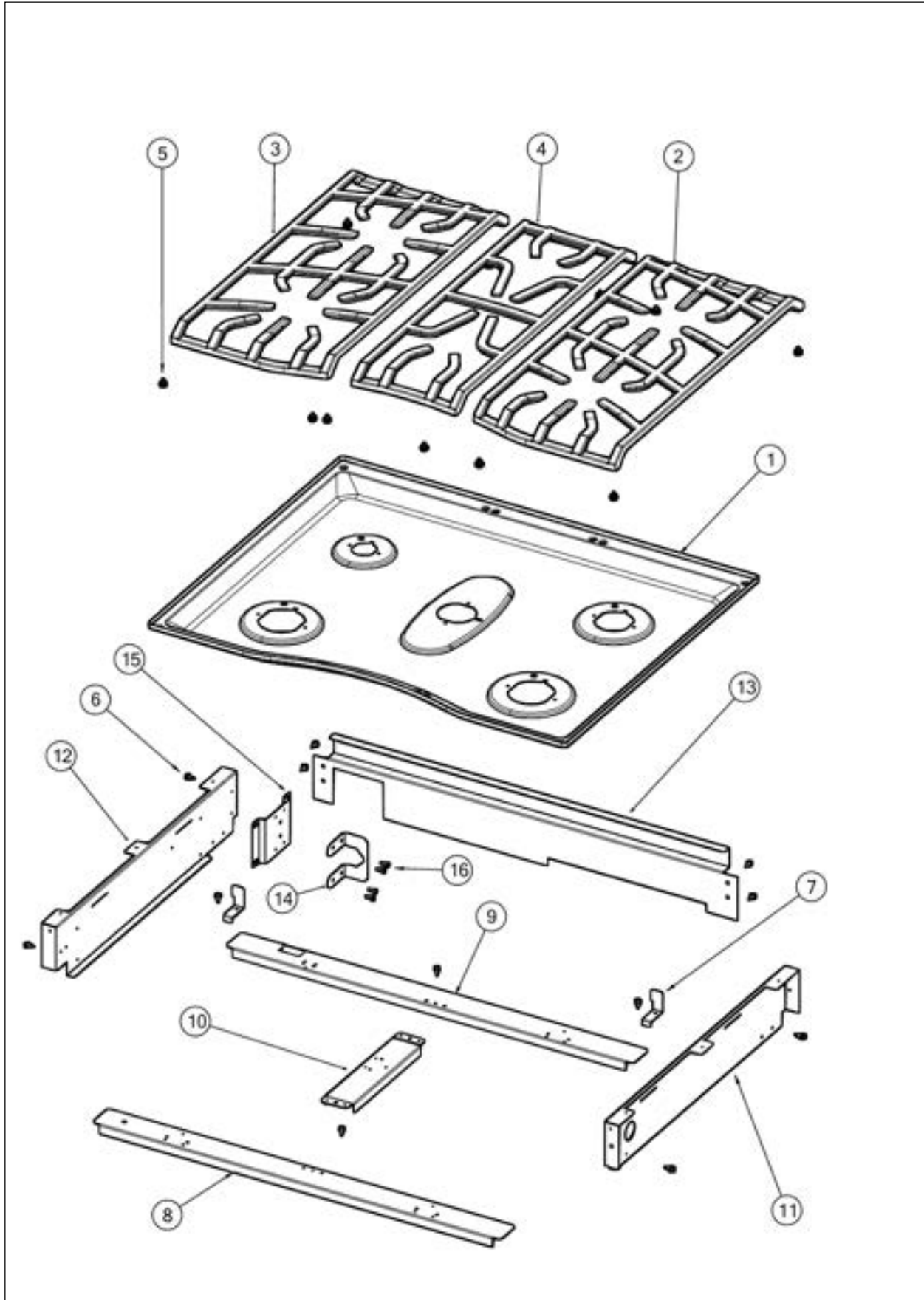


Item	Part No.	Name	Qty	Uom	NOTES
1	000845-000	1/2" COMP TO 1/2" MALE NPT ADAPTER	1	EA	
2	003860-000	10-18 x .500 FASTNR,SCR,HXWH,STL,ZPLT	1	EA	
3	023883-000	REGULATOR, PRSS, NAT, 5", DESIGNER	1	EA	
3	023884-000	REGULATOR, PRSS, L.P., 10" DESIGNER	1	EA	
4	030973-000	BURNER BASE, 12000 BTU	1	EA	
5	030974-000	BURNER BASE, 8000 BTU	1	EA	
6	030977-000	BURNER BASE, FISH, 9200 BTU	1	EA	
7	031412-000	BURNER CAP, 18000 BTU	1	EA	
8	030984-000	FISH BURNER, 92000 BTU	1	EA	
9	031022-000	BURNER BASE, 18000 BTU	1	EA	
10	031416-000	BURNER HEAD, 18000 BTU	1	EA	
11	043672-402	BNR BASE, ULTRARAPID	1	EA	Not available online / Call for pricing and availability
12	031393-000	TUBING, RF BURNER	1	EA	
13	031388-000	TUBING, LR BURNER	1	EA	
14	031392-000	TUBING, RR BURNER	1	EA	
15	031393-000	TUBING, RF BURNER	1	EA	
16	072465-000	TUBING, FLEX, SST, 5/16 OD X 16"	1	EA	
17	031412-000	BURNER CAP, 18000 BTU	1	EA	
18	031413-000	BURNER CAP, 12000 BTU	1	EA	
19	031414-000	BURNER CAP, 8000 BTU	1	EA	
20	049591-000	MANIFOLD, GAS, 30"	1	EA	
21	031416-000	BURNER HEAD, 18000 BTU	1	EA	
22	031417-000	BURNER HEAD, 12000 BTU	1	EA	
23	031418-000	BURNER HEAD, 8000 BTU	1	EA	
24	PD010012	VALVE BOLT 1/4-20 UNC-2B 5/16" M.S.	5	EA	
25	031804-000	VALVE, TOP BURNER	5	EA	
27	034765-000	1/2" FEMALE PIPE TO 1/2" COMP FITTING	1	EA	



Item	Part No.	Name	Qty	Uom	NOTES
28	039214-000	TUBING, FLEX, SST, 18" REPLACES 034452-000	1	EA	
NI	043850-000	RANGES LP TOP BURNER ORIFICES	1	EA	NOT ORDERABLE

SURFACE





Item	Part No.	Name	Qty	Uom	NOTES
1	043681-402	30" D3 SEALED TOP W/BK PORCELAIN	1	EA	
2	052954-000	D3 RH GRATE ASM	1	EA	
3	052966-000	D3 LH GRATE ASM	1	EA	
4	031225-000	D3 CENTER GRATE ASM	1	EA	
5	031430-000	GRATE, FOOT	12	EA	
Not Shown	NOTE	(BEFORE 02/21/18)		EA	
5	051547-000	GRATE FOOT	12	EA	
Not Shown	NOTE	(ON OR AFTER 02/21/18)		EA	
6	003860-000	10-18 x .500 FASTNR,SCR,HXWH,STL,ZPLT	10	EA	
7	015106-000	SIDE TRIM SUPPORT	2	EA	
8	043698-000	BURNER CHANNEL, FRONT	1	EA	
9	031004-000	BURNER CHANNEL, REAR	1	EA	
10	031005-000	BURNER CHANNEL, CENTER	1	EA	
11	031073-000	PANEL, BURNER BOX SIDE, RH	1	EA	
12	031074-000	PANEL, BURNER BOX SIDE, LH	1	EA	
13	033181-000	SUPPORT, REAR D3, DUEL FUEL	1	EA	
14	038704-000	REGULATOR BRACKET	1	EA	
15	038705-000	REG, MTG, BRKT	1	EA	
16	PD020261	' #8-32X1/2" PH PANHEAD MACH. SCREW	3	EA	



Appendix A:Pages Index

BASE	1
CONTROL	2
DECOR	3
DOOR	4
ELECTRICAL	5
GAS	6
SURFACE	7



Appendix B:Parts Index

000647-000	5	023884-000	6
000845-000	6	024869-000	5
002740-000	4	026965-000	4
002941-000	1	027924-000	3
003052-000	1	027968-000	2
003272-000	1	029891-000	3
003333-000	1	030973-000	6
003356-000	1	030974-000	6
003860-000	1, 5, 6, 7	030977-000	6
004110-000	1	030984-000	6
004285-000	1	031004-000	7
005255-000	1	031005-000	7
006766-000	5	031022-000	6
013250-000	5	031073-000	7
013526-000	1	031074-000	7
013528-000	1	031225-000	7
013542-000	1	031388-000	6
013547-000	1	031392-000	6
013563-000	1	031393-000	6, 6
013572-000	1	031412-000	6, 6
013986-000	3	031413-000	6
014137-000	1	031414-000	6
014221-000	4	031416-000	6, 6
014240-000	1	031417-000	6
014246-000	1	031418-000	6
014543-000	3	031430-000	7
014553-000	1	031679-000	1
014554-000	1	031804-000	6
015106-000	7	032813-000	3
015394-000	5	032816-000	3
015607-000	1	032849-000	4
015615-000	1	032857-000	1
019185-000	1	032858-402	1
019186-000	1	032965-000	3
020019-000	5	033181-000	7
021340-000	5	034765-000	6
023022-000	5	034927-000	1
023096-000	5	034928-000	1
023825-000	5	035005-002	3
023883-000	6	035005-006	3
		035006-002	3



035006-006	3	066226-402	3
035590-000	4	066227-402	3
035795-000	5	068038-601	5
035893-000	2	072465-000	6
035895-000	2	079169-000	5
036047-000	5	A20010101	1
036576-000	5	A20012649	1
038693-000	5	A20014021	1
038704-000	7	A20014044	1
038705-000	7	A2002195	1
039090-2393	2	A2002454	1
039145-000	1	A2009641	1
039155-000	1	A2009697	1
039214-000	6	E9109655	1
042084-000	4	G4000936	5
042085-002	4	G40015469	5
042085-006	4	PA010093	2
042263-000	2	PB020275	1
042266-000	2	PB070246	4
042267-000	2	PC030007	1
042511-000	3	PD010012	6
042528-000	4	PD020032	3
042529-002	4	PD020043	5
042529-006	4	PD020046	2
042658-000	2	PD020048	1
042777-002	3	PD020061	1
042777-006	3	PD020063	4
043135-000	5	PD020261	2, 7
043672-402	6	PD030109	1
043678-000	5	PD030172	5
043681-402	7	PD040004	2
043698-000	7	PD040164	5
043850-000	6	PE050206	5
044178-000	3	PE050208	5
046142-571	5	PE070147	5
049133-000	1	PE070739	5
049591-000	6	PJ010004	5
050172-000	2	PJ010047	5
051547-000	7	PJ010048	5
052954-000	7	PJ030033	5
052966-000	7	PJ030035	5



PM010014 1