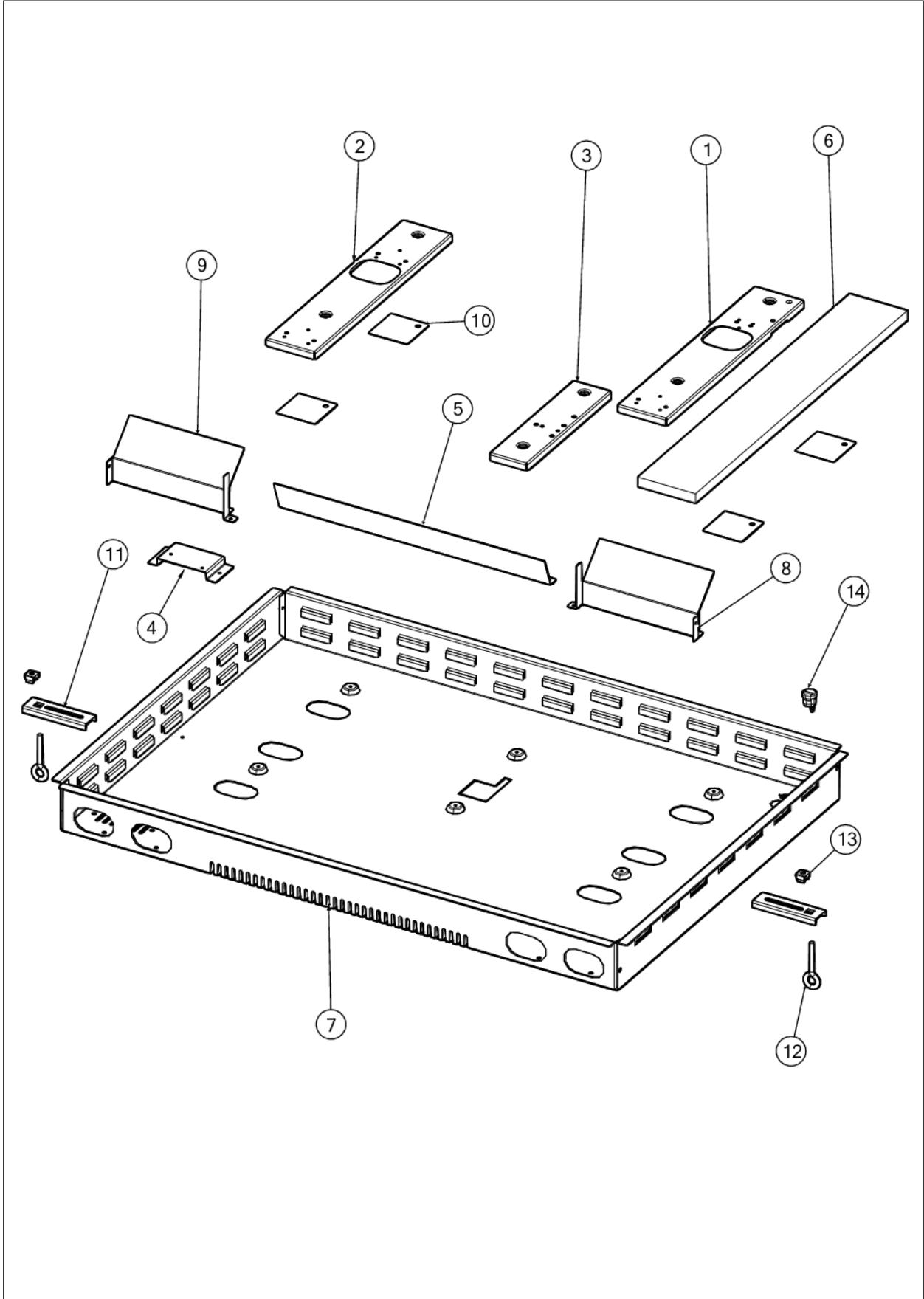


CRVGC3305B

BASE	1
DECOR	2
ELECTRICAL	3
GAS	4
Appendix A:Pages Index	A
Appendix B:Parts Index	B

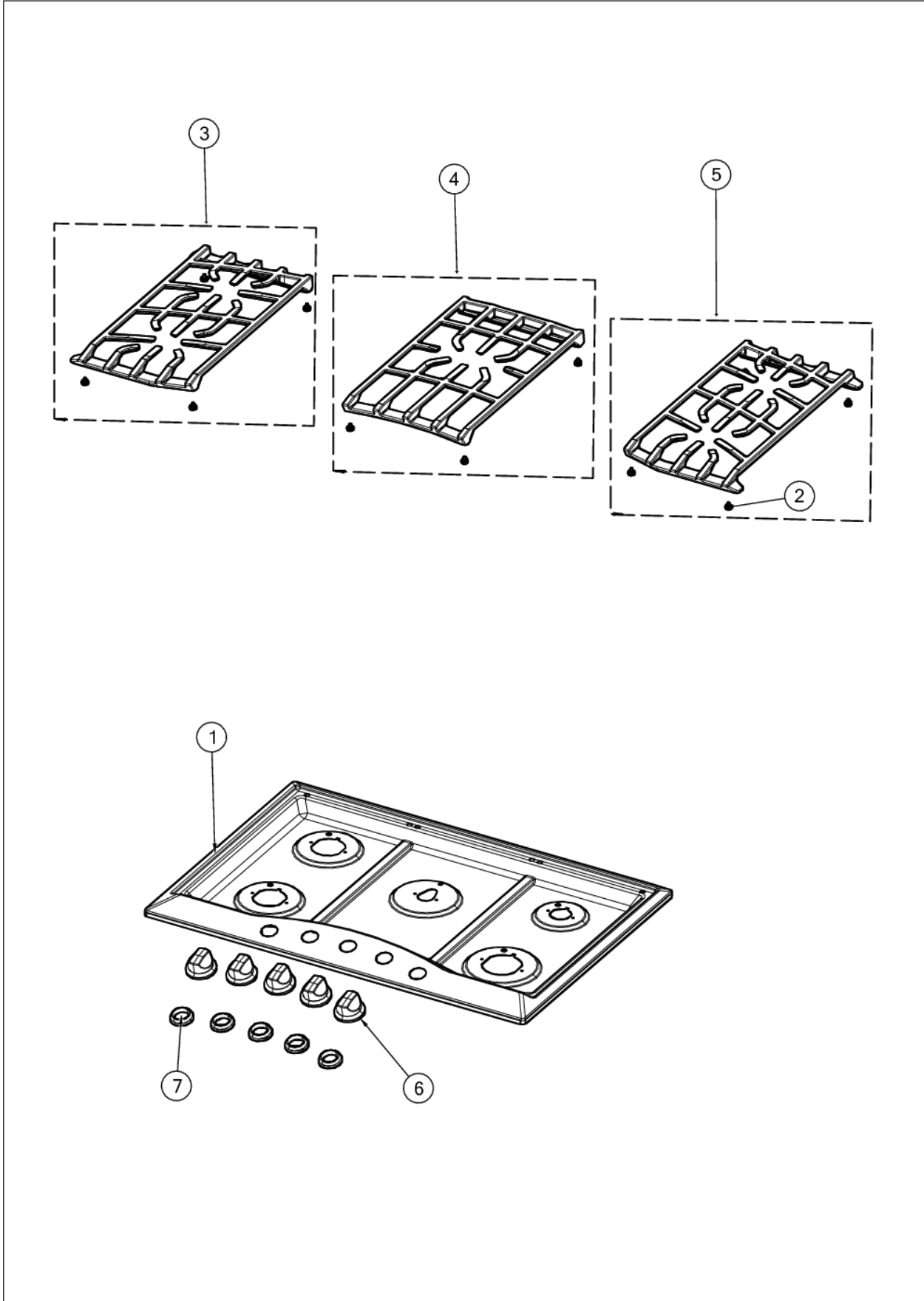
BASE





Item	Part No.	Name	Qty	Uom	NOTES
1	031579-000	RH BURNER SUPPORT DGSU, D3	1	EA	
2	031580-000	LH BURNER SUPPORT DGSU, D3	1	EA	
3	031583-000	CENTER BURNER SUPPORT DGSU, D3	1	EA	
4	031933-000	SNGL SPARK MODULE MOUNT	1	EA	
5	031948-000	D3 VENT SHEILD	1	EA	
6	035645-000	INSULATION, SW	1	EA	
7	035956-000	D3 30 COOKTOP BURNER BOX	1	EA	
8	036082-000	FLUE, CKTP, RH ASSY	1	EA	
9	036121-000	FLUE, CKTP, LH ASSY	1	EA	
10	036559-000	INSULATION, ELEC	4	EA	
11	A2003053	Retainer Bracket	2	EA	
12	PD010027	EYE BOLT-VGSU101/161	2	EA	
13	PD030029	SELF RETAINING NUT (1/4-20)	2	EA	
14	PE070069	STRAIGHT-THRU BUSHING	1	EA	

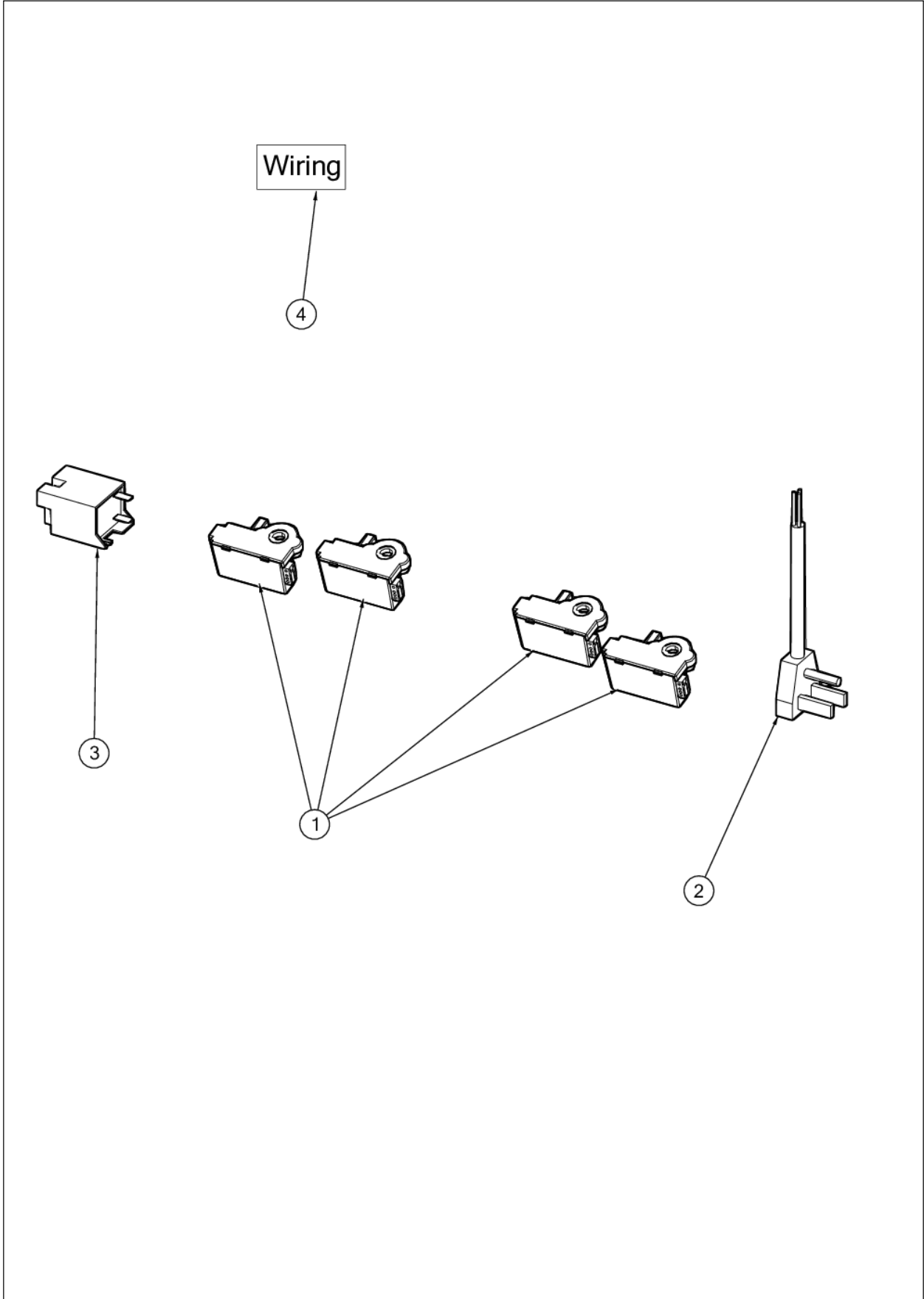
DECOR





Item	Part No.	Name	Qty	Uom	NOTES
1	031271-2575	D3 30" Cooktop	1	EA	
2	031430-000	GRATE, FOOT	12	EA	
3	052991-000	LH GRATE 30" COOKTOP ASSY	1	EA	
Not Shown	NOTE	(INCLUDES ITEM # 2)		EA	
4	031868-000	CENTER GRATE 30" COOKTOP ASSY	1	EA	
Not Shown	NOTE	(INCLUDES ITEM # 2)		EA	
5	052995-000	RH GRATE 30" COOKTOP ASSY	1	EA	
Not Shown	NOTE	(INCLUDES ITEM # 2)		EA	
6	042162-000	KNOB, SNGL GAS, COOKTOP, BLADE, D3PO, ASSY	5	EA	
7	PB070320	SILICONE EXTRUSION	5	EA	

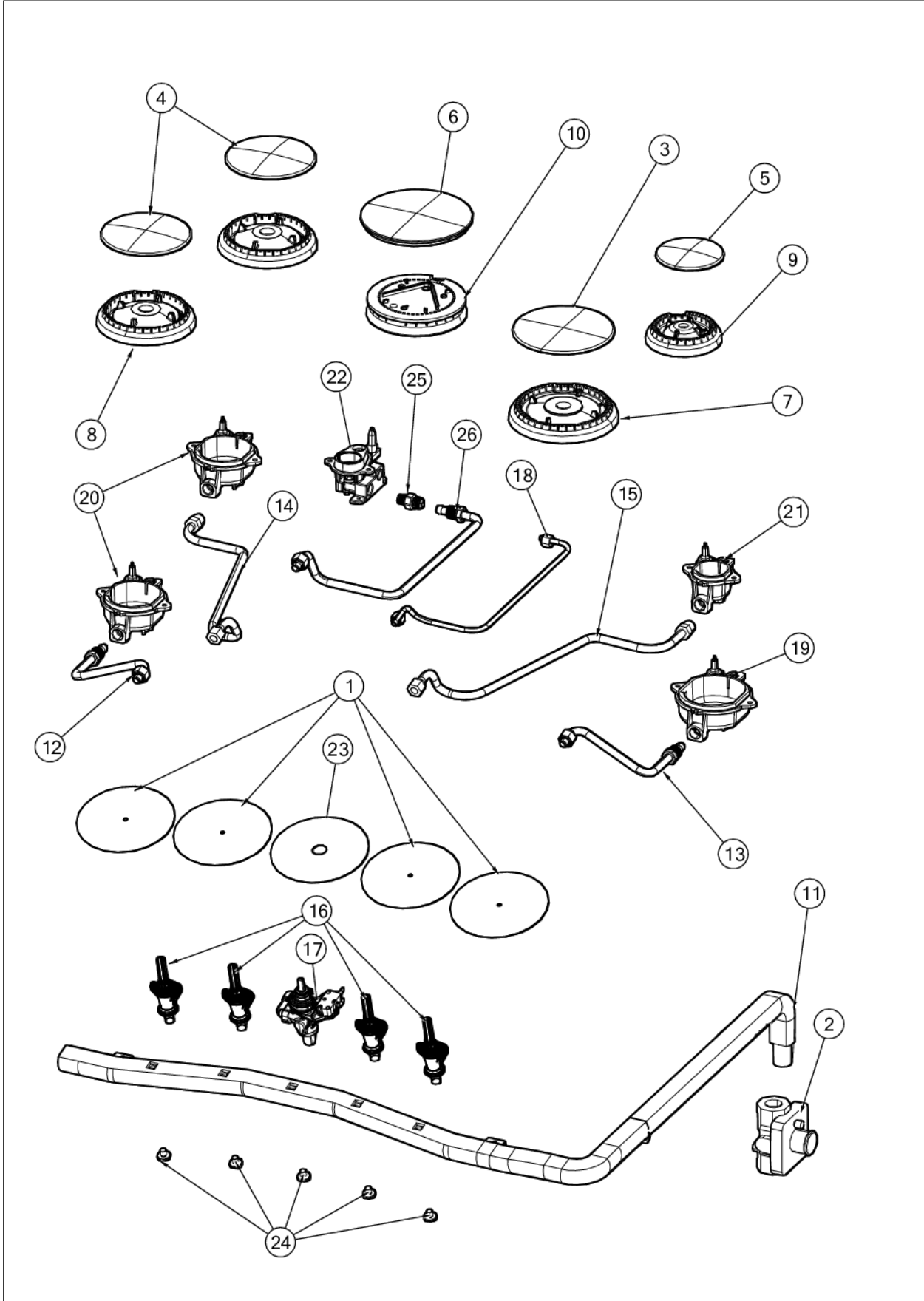
ELECTRICAL





Item	Part No.	Name	Qty	Uom	NOTES
1	015112-000	MODULE, SPK IRIS COOKTOP	4	EA	
2	G4007440	SUPPLY CORD ASSY	1	EA	
3	PA020037	SINGLE MODULE 120V	1	EA	
4	006766-000	IRIS IGNITOR WIRE, BACK BURNER	2	EA	
4	000647-000	IRIS IGNITOR WIRE, FRONT BURNER	2	EA	
4	PE070890	IRIS HARNESS - 36"	1	EA	
4	034731-000	HARNESS, WIRE, STACK BURNER	1	EA	

GAS



Item	Part No.	Name	Qty	Uom	NOTES
1	019955-000	SHIELD, WTR	4	EA	
2	023883-000	REGULATOR, PRSS, NAT, 5", DESIGNER	1	EA	
2	023884-000	REGULATOR, PRSS, L.P., 10" DESIGNER	1	EA	
3	031412-000	BURNER CAP, 18000 BTU	1	EA	
4	031413-000	BURNER CAP, 12000 BTU	2	EA	
5	031414-000	BURNER CAP, 8000 BTU	1	EA	
6	031415-000	BURNER CAP, STACKED	1	EA	
7	031416-000	BURNER HEAD, 18000 BTU	1	EA	
8	031417-000	BURNER HEAD, 12000 BTU	2	EA	
9	031418-000	BURNER HEAD, 8000 BTU	1	EA	
10	031419-000	BURNER HEAD, STACKED	1	EA	
11	031576-000	D3 GAS COOKTOP MANIFOLD	1	EA	
12	031615-000	30" COOKTOP LF BURNER TUBE	1	EA	
13	031616-000	30" COOKTOP RF BURNER TUBE	1	EA	
14	031618-000	30" COOKTOP LR BURNER TUBE	1	EA	
15	031626-000	30" COOKTOP RR BURNER TUBE	1	EA	
16	032331-000	SINGLE GAS VALVE	4	EA	
17	032349-000	DUAL GAS VALVE	1	EA	
18	032541-000	CENTER LOW BURNER TUBE	2	EA	
19	036407-000	BNR BASE, ULTRARAPID, CKTP, 12000 BTU, NAT	1	EA	
19	050027-000	BNR BASE, ULTRARAPID, CKTP, 100000 BTU, LP	1	EA	
20	036408-000	BNR BASE, RAPID, CKTP, 9100 BTU, NAT	2	EA	
20	050025-000	BNR BASE, RAPID, CKTP, 9000 BTU, LP	2	EA	
21	036409-000	BNR BASE, SEMIRAPID, CKTP, 5000 BTU, NAT	1	EA	
21	050026-000	BNR BASE, SEMIRAPID, CKYP. 5000 BTU, LP		EA	
22	036410-000	17K STACK JETHOLDER W/0.53MM - 1.88MM INJECTORS	1	EA	



Item	Part No.	Name	Qty	Uom	NOTES
22	050028-000	BASE, STACKED BNR, CKTP, 150000 BTU, LP	1	EA	
23	036558-000	SHIELD, WTR, LRG CNTR HOLE	1	EA	
24	PD010012	VALVE BOLT 1/4-20 UNC-2B 5/16" M.S.	5	EA	
25	033202-000	STACK BURNER LOW ORIFICE ADAPTER	1	EA	
26	032521-000	CENTER HIGH BURNER TUBE	1	EA	



Appendix A:Pages Index

BASE	1
DECOR	2
ELECTRICAL	3
GAS	4



Appendix B:Parts Index

000647-000	3	036410-000	4
006766-000	3	036558-000	4
015112-000	3	036559-000	1
019955-000	4	042162-000	2
023883-000	4	050025-000	4
023884-000	4	050026-000	4
031271-2575	2	050027-000	4
031412-000	4	050028-000	4
031413-000	4	052991-000	2
031414-000	4	052995-000	2
031415-000	4	A2003053	1
031416-000	4	G4007440	3
031417-000	4	PA020037	3
031418-000	4	PB070320	2
031419-000	4	PD010012	4
031430-000	2	PD010027	1
031576-000	4	PD030029	1
031579-000	1	PE070069	1
031580-000	1	PE070890	3
031583-000	1		
031615-000	4		
031616-000	4		
031618-000	4		
031626-000	4		
031868-000	2		
031933-000	1		
031948-000	1		
032331-000	4		
032349-000	4		
032521-000	4		
032541-000	4		
033202-000	4		
034731-000	3		
035645-000	1		
035956-000	1		
036082-000	1		
036121-000	1		
036407-000	4		
036408-000	4		
036409-000	4		