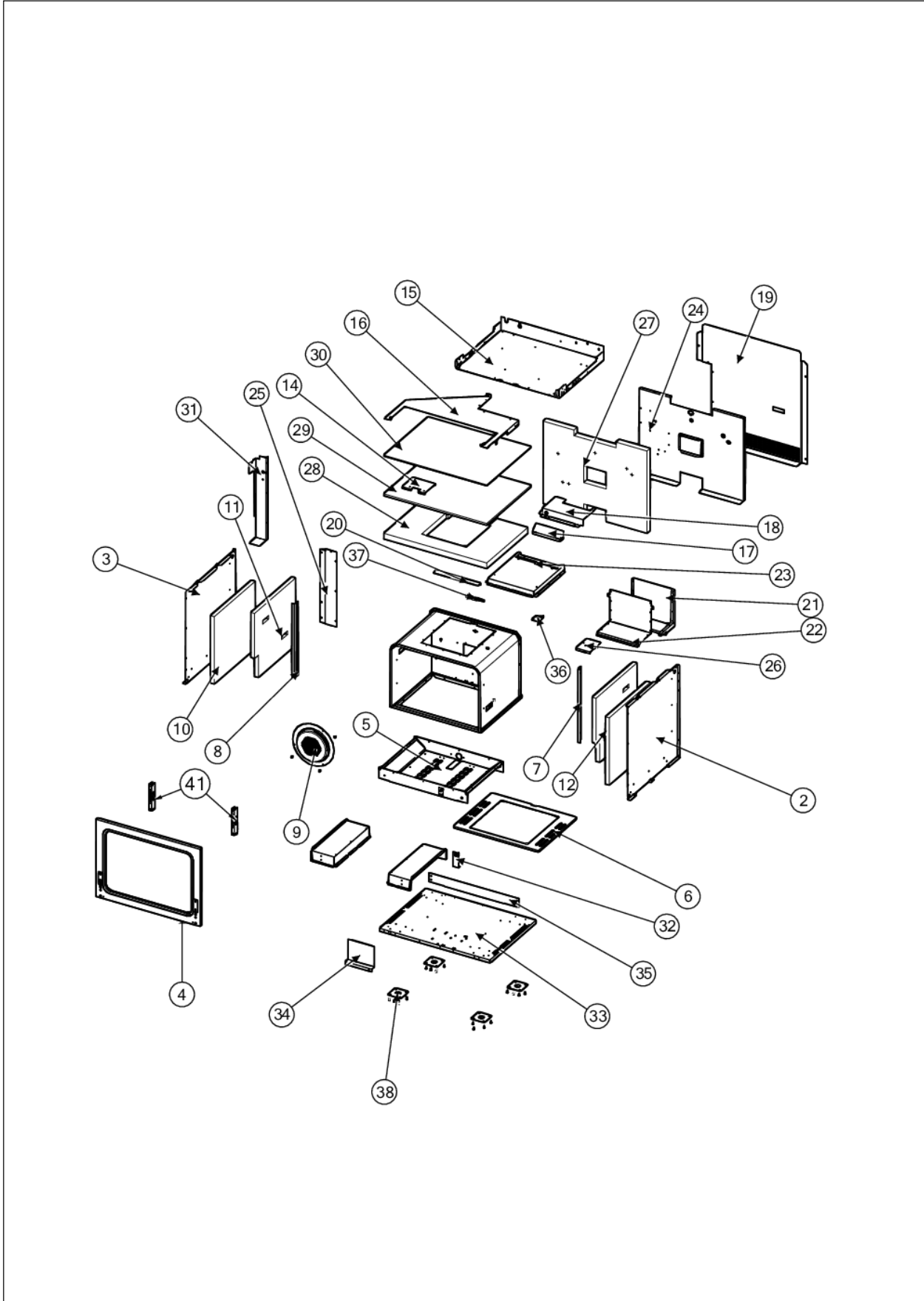


CRVGR3305B

BASE	1
CONTROL	2
DECOR	3
DOOR	4
ELECTRICAL	5
GAS	6
SURFACE	7
Appendix A:Pages Index	A
Appendix B:Parts Index	B

BASE

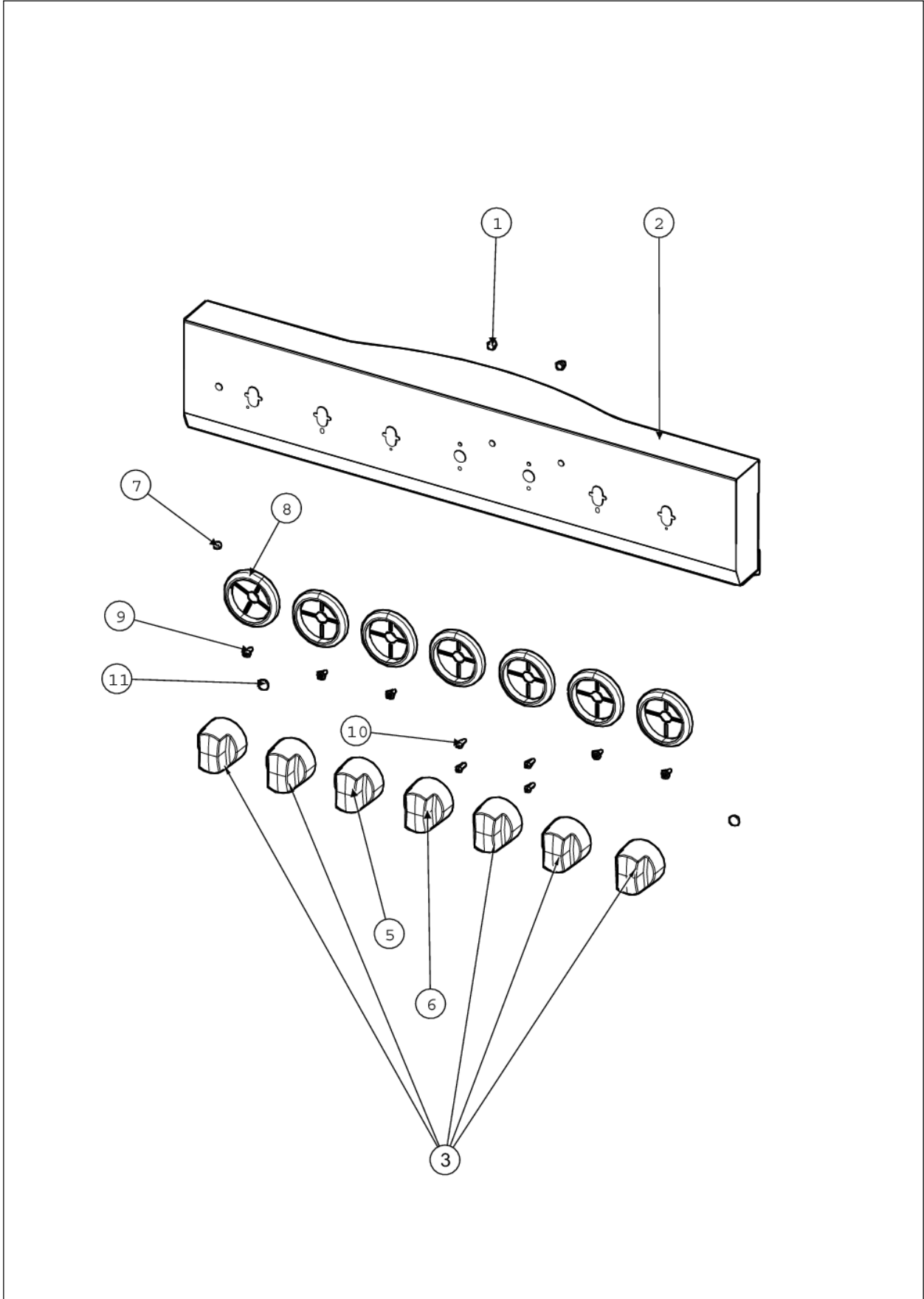


Item	Part No.	Name	Qty	Uom	NOTES
1	003860-000	10-18 x .500 FASTNR,SCR,HXWH,STL,ZPLT	101	EA	
2	013659-000	INSULATION, PNL, SIDE, RH	1	EA	
3	013660-000	INSULATION, PNL, SIDE, LH	1	EA	
4	014502-000	FRONT, FRAME, DCCG130	1	EA	
5	014748-402	BURNER PAN ASM, BK PORC	1	EA	Not available online / Call for pricing and availability
6	066203-000	ASM, BOTTOM, CAVITY, OVEN, GAS, 30"	1	EA	
7	019175-000	BRACKET, SIDE, RH	1	EA	
8	019176-000	BRACKET, SIDE, LH	1	EA	
9	021225-402	COVER, CNVN, ASM, BK PORC	1	EA	
9	021225-403	COVER, CNVN, ASM, GY PORC	1	EA	
10	023578-000	INSULATION, SIDE, OUTER	2	EA	Not available online / Call for pricing and availability
11	023579-000	INSULATION, SIDE, LEFT	1	EA	
12	023580-000	INSULATION, SIDE, RIGHT	1	EA	
13	066225-402	GUIDE, RACK, RH- BK	1	EA	
14	030985-000	LATCH MOUNT	1	EA	
15	031014-000	RETAINER, TOP INSULATION, RDSCG, 30"	1	EA	Not available online / Call for pricing and availability
16	031015-000	AIR DUCT, D3	1	EA	
17	031030-000	FAN DEFLECTOR	1	EA	
18	031034-000	COVER, FAN	1	EA	
19	031320-000	BACK, OVEN, D3	1	EA	
20	031445-402	BRACE, OVEN, BOTTOM, BACK W/BK PORC	1	EA	
21	031673-000	BOTTOM, GAS DUCT, D3	1	EA	
22	031674-000	TOP, GAS DUCT, D3	1	EA	
23	031678-000	BROIL BURNER BOX, D3	1	EA	
24	031777-000	PANEL, BACK INSULATION	1	EA	Not available online / Call for pricing and availability



Item	Part No.	Name	Qty	Uom	NOTES
25	031831-000	ACCESS COVER, REGULATOR	1	EA	
26	033198-000	TRAY, REGULATOR	1	EA	
27	033583-000	INSULATION, BACK, D3, 30"	1	EA	
28	033585-000	INSULATION, TOP	1	EA	
29	033586-000	INSULATION, TOP PAD	1	EA	
30	033588-000	INSULATION, TOP FOIL BACK	1	EA	
31	035230-000	BACK SUPPORT BRACKET	1	EA	
32	035322-000	BRACKET, ORIFICE, BAKE, D3	1	EA	
33	040971-000	BOTTOM, MAIN, 30"	1	EA	
34	042133-000	SHIELD, HEAT, FR	1	EA	
35	042178-000	SHIELD, HEAT, REAR	1	EA	
36	A20012649	DOOR SWITCH BRACKET	1	EA	
37	A2004428	REAR BOTTOM BRCKT (VGSC306)	1	EA	
38	PC030007	LEG PLATE - 3/4" THREADED HOLE	4	EA	
39	PD020048	NO.10 X 1/2 TEK 410 SS SCREW	46	EA	
40	PD020232	#8 X 3/4" PH PAN HEAD TEK SCREW (BLACK OXIDE)	3	EA	
41	031679-000	RECEPTACLE, HINGE	2	EA	
NI	049133-000	BURNER CHANNEL, FRONT	1	EA	

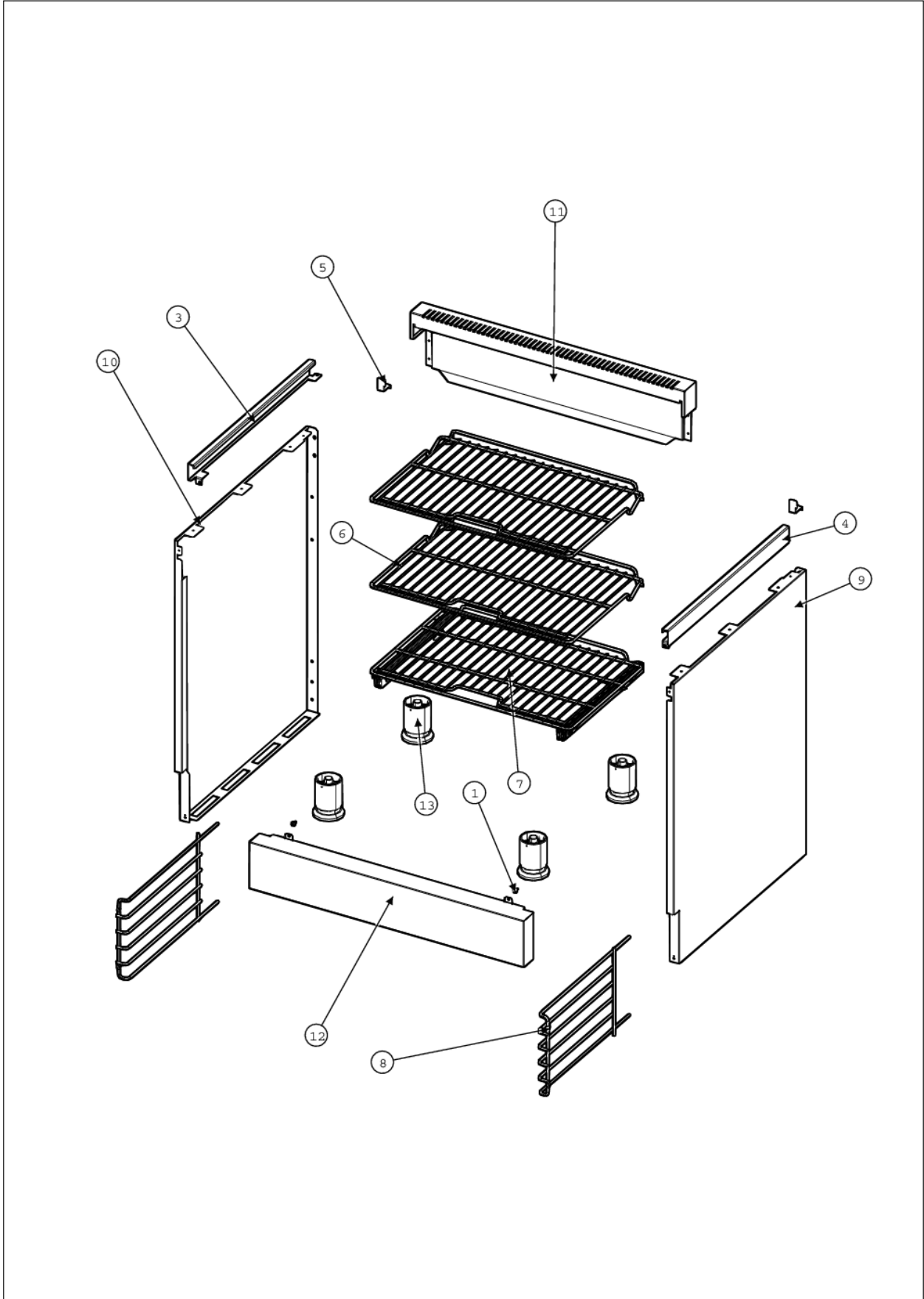
CONTROL





Item	Part No.	Name	Qty	Uom	NOTES
1	027968-000	INDICATOR, LIGHT, BLUE	2	EA	
2	039090-2393	PANEL, CTRL, RDSCD/RDSCG230 ASM	1	EA	
Not Shown	NOTE	MUST ORDER PART # 036576- 000 WITH PANEL		EA	
3	042263-000	KNOB, GAS VALVE, RANGE, D3PO, ASSY	5	EA	
Not Shown	NOTE	(BEFORE 08/08/13)		EA	
3	042658-000	KNOB, BNR, TOP, PRO, CR3	5	EA	
Not Shown	NOTE	(ON OR AFTER 08/08/13)		EA	
5	042265-000	KNOB, SEL, GAS, RANGE, D3PO, ASSY	1	EA	
Not Shown	NOTE	(BEFORE 09/10/13)		EA	
5	035887-000	KNOB,OVN,SEL, PRO VGSC CR3	1	EA	
Not Shown	NOTE	(ON OR AFTER 09/10/13)		EA	
6	042266-000	KNOB, TSTAT, RANGE, D3PO, ASSY	1	EA	
Not Shown	NOTE	(BEFORE 09/10/13)		EA	
6	035893-000	KNOB,OVN,TSTAT, PRO VDSC/VESC CR3	1	EA	
Not Shown	NOTE	(ON OR AFTER 09/10/13)		EA	
7	PA010093	DESIGNER OVEN LT SWITCH KNOB	1	EA	
8	050172-000	BEZEL, KNOB	7	EA	
9	PD020046	' #8 X 1/2 SCREWS	5	EA	
10	PD020261	' #8-32X1/2" PH PANHEAD MACH. SCREW	4	EA	
11	PD040004	GROMMET BUMPER	2	EA	

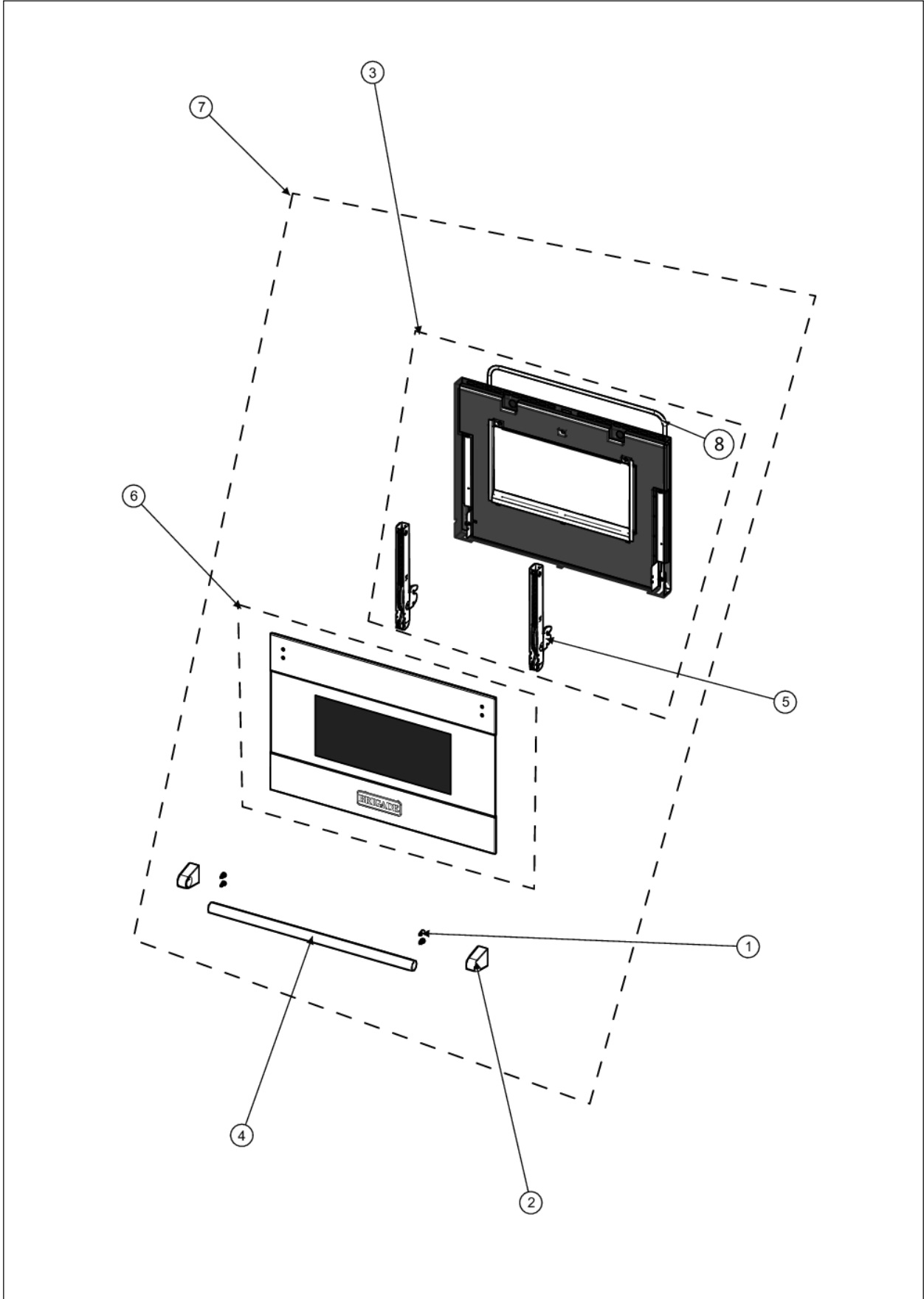
DECOR





Item	Part No.	Name	Qty	Uom	NOTES
1	003801-000	SHOULDER SCREW, #10	2	EA	
2	003860-000	10-18 x .500 FASTNR,SCR,HXWH,STL,ZPLT	14	EA	
3	013986-000	TRIM, SIDE, RT, D130	1	EA	
4	014543-000	TRIM, SIDE, LF, DESIGNER	1	EA	
5	015106-000	SIDE TRIM SUPPORT	2	EA	
6	027922-000	RACK, OVEN, GAS, 30	2	EA	
7	051818-000	RACK, GLIDE, GAS 30"	1	EA	
8	066225-402	GUIDE, RACK, RH- BK	2	EA	
9	032813-000	PNL, SIDE, RH, D3 - SS	1	EA	
9	035006-002	PNL, SIDE, RH, D3 - BK	1	EA	
9	035006-006	PNL, SIDE, RH, D3 - WH	1	EA	
10	032816-000	PNL, SIDE, LH, D3 - SS	1	EA	
10	035005-002	PNL, SIDE, LH, D3 - BK	1	EA	
10	035005-006	PNL, SIDE, LH, D3 - WH	1	EA	
11	032965-000	D3 ISLAND TRIM ASM	1	EA	
12	042571-000	KICKPLATE, RVGR 30"	1	EA	
12	042717-002	KICKPLATE, DCBZ, RVGR3305B PAINTED BK	1	EA	
12	042717-006	KICKPLATE, DCBZ, RVGR3305B PAINTED WH	1	EA	
13	044178-000	RANGE, LEG, ADJUSTABLE	4	EA	
14	PD020032	SRW-8(A)X3/8"PH.WFR HD 7/16DIA*NICL	2	EA	
15	PD020232	#8 X 3/4" PH PAN HEAD TEK SCREW (BLACK OXIDE)	4	EA	

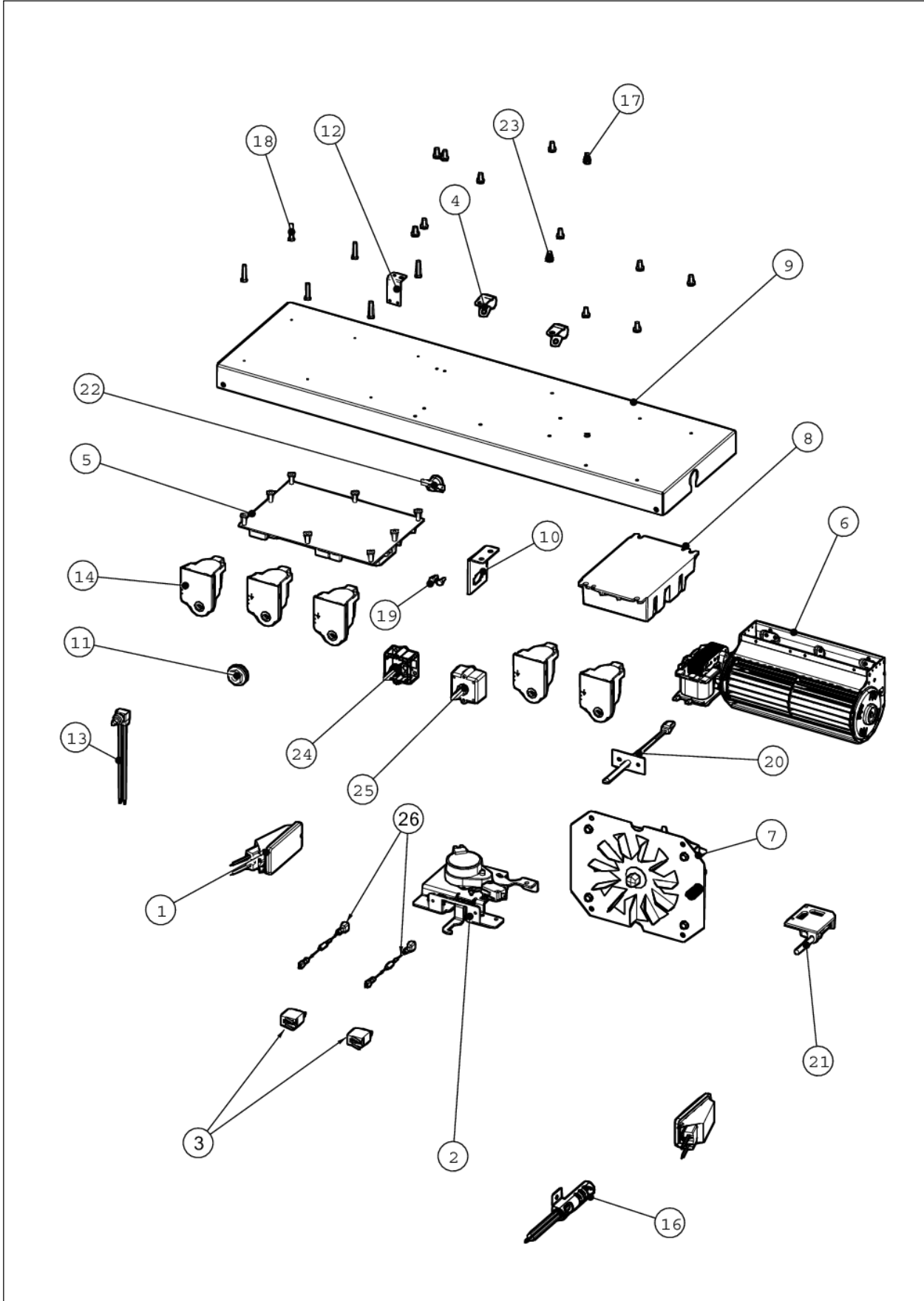
DOOR





Item	Part No.	Name	Qty	Uom	NOTES
1	014221-000	1/4-20 X .625 HEX 316 SS	4	EA	
2	026965-000	END CAP, ASM, DOOR HANDLE	2	EA	
3	030906-000	DOOR LINER ASM, D3, BK PORC	1	EA	
4	035590-000	W/O DF GAS SS HANDLE	1	EA	
5	036279-000	HINGE, DOOR, GAS, BLACK SPRING	2	EA	
6	042084-000	DOOR, OUTER, 30 SS, BRIGADE, ASSY	1	EA	
6	042502-002	DOOR, OUTER, 30" BK, BRIGADE, ASSY	1	EA	Not available online / Call for pricing and availability
6	042502-006	DOOR, OUTER, 30" WH, BRIGADE, ASSY	1	EA	Not available online / Call for pricing and availability
7	042523-000	DOOR, RNG, GAS, BRIGADE, SS ASSY	1	EA	Not available online / Call for pricing and availability
7	042524-002	DOOR, RNG, GAS, BRIGADE, BK ASSY	1	EA	Not available online / Call for pricing and availability
7	042524-006	DOOR, RNG, GAS, BRIGADE, WH ASSY	1	EA	Not available online / Call for pricing and availability
8	000042-000	30" DOOR GASKET	1	EA	

ELECTRICAL



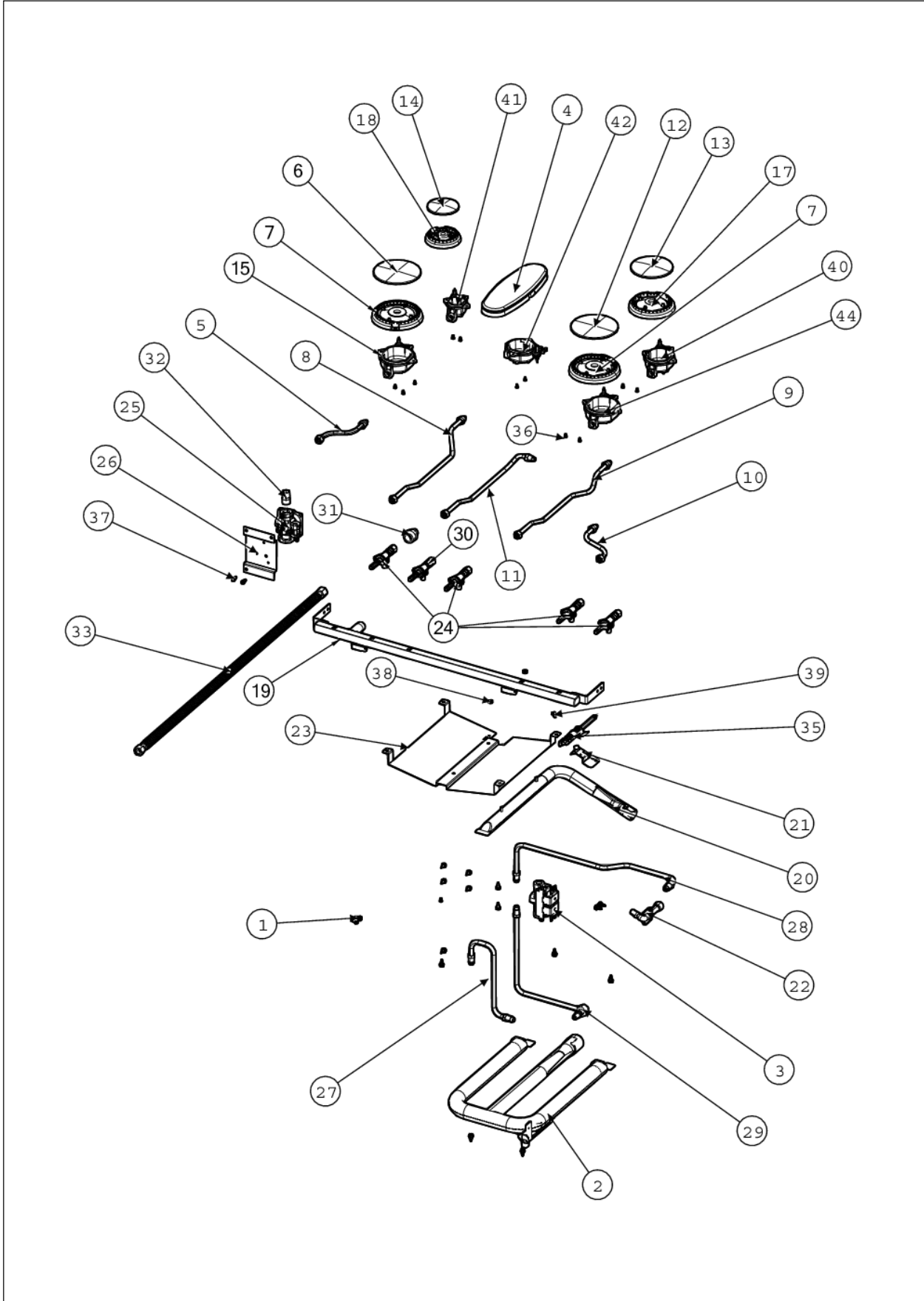


Item	Part No.	Name	Qty	Uom	NOTES
1	068653-601	LIGHT, 120V/25W, G9, HALOGEN, SIDE	2	EA	
2	012565-000	LATCH,DOOR,ASM,120V, LOCKED POSITION	1	EA	
3	043135-000	HOUSING, LIGHT, LED, BLUE, 3.3V	2	EA	
4	015208-000	Clip, Wiring 3/8"	2	EA	Not available online / Call for pricing and availability
5	015981-000	CONTROL,BD,EOC2 GAS SELF CLEAN	1	EA	
Comments for Part Num. 015981-000					
gboltz@VikingRange.com on Sep 16, 2016					
SEE TC-0043-SP BULLETIN BEFORE ORDERING					
6	019958-000	FAN,COOLING,SINGLE, 120Vx180(51399)	1	EA	
7	023090-000	MOTOR, CONV ASM	1	EA	
8	023651-000	DSI120-2-LVS	1	EA	
9	033529-000	PLATE, MTG, COMP.	1	EA	
10	033668-000	BRACKET, DISCONNECT	1	EA	
11	036576-000	LIGHT SWITCH ASM	1	EA	
12	A20014089	DISC BRACKET	1	EA	
13	G40015469	LIGHT SWITCH ASSEMBLY	1	EA	
14	PA020058	IRIS SINGLE SPARK MODULE	4	EA	
16	PB040170	BAKE IGNITION ELECTRODE	1	EA	
17	PD020010	10 X 3/8 GREEN GROUNDING SCREW	1	EA	
18	PD020043	#6-32 X .750 PH. CTRSK T(F)-VGSO166	6	EA	
19	PD020067	#6 X 3/8" PAN PHIL. TEK *SS*	2	EA	
20	PE050206	RTD THERMOSTAT PROBE	1	EA	
21	PE050208	DOOR SWITCH	1	EA	
22	PJ030039	BI-METAL THERMOSTAT 275 DEGREES	1	EA	
23	PD020004	10X3/8PH.HD.TYPE 25 REPL PD040125	12	EA	
24	PJ030034	SELECTOR, 6 POS	1	EA	



Item	Part No.	Name	Qty	Uom	NOTES
25	PJ030035	THERMOSTAT	1	EA	
26	021319-000	*SEE 027543-000* HARNESS, ADPT, LED, 125V TO 2V	2	EA	
NI	000647-000	IRIS IGNITOR WIRE, FRONT BURNER	2	EA	
NI	043678-000	IRIS HARNESS RVGR	1	EA	
NI	004133-000	CONTROL PANEL HARNESS	1	EA	

GAS



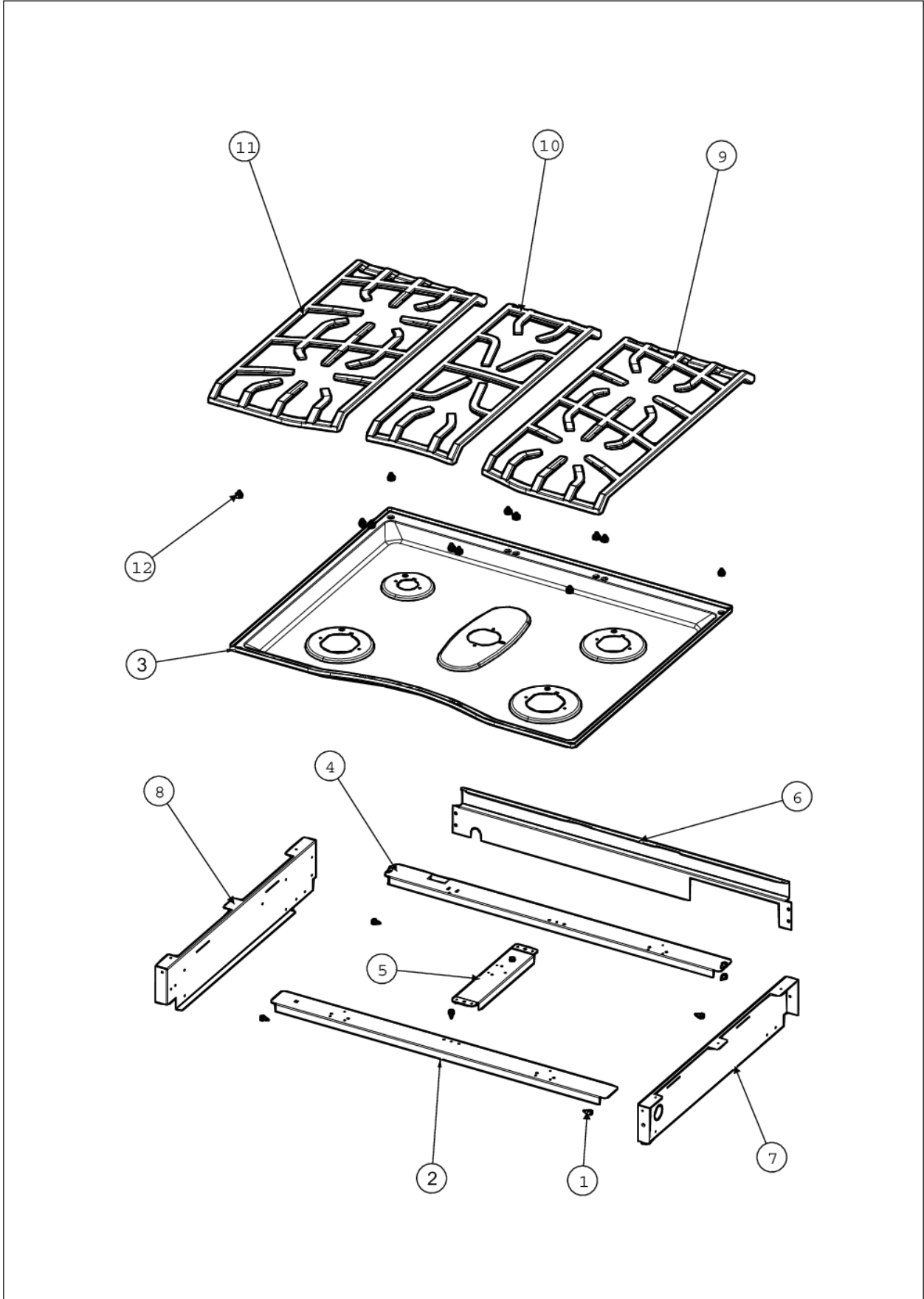


Item	Part No.	Name	Qty	Uom	NOTES
1	003860-000	10-18 x .500 FASTNR,SCR,HXWH,STL,ZPLT	13	EA	
2	005329-000	BURNER, OVEN, ASM	1	EA	
3	009112-000	VALVE, SOL, DOUBLE	1	EA	
4	030984-000	FISH BURNER, 92000 BTU	1	EA	
5	031393-000	TUBING, RF BURNER	1	EA	
6	031412-000	BURNER CAP, 18000 BTU	1	EA	
7	031416-000	BURNER HEAD, 18000 BTU	2	EA	
8	031388-000	TUBING, LR BURNER	1	EA	
9	031392-000	TUBING, RR BURNER	1	EA	
10	031393-000	TUBING, RF BURNER	1	EA	
11	072465-000	TUBING, FLEX, SST, 5/16 OD X 16"	1	EA	
12	031412-000	BURNER CAP, 18000 BTU	1	EA	
13	031413-000	BURNER CAP, 12000 BTU	1	EA	
14	031414-000	BURNER CAP, 8000 BTU	1	EA	
15	043672-000	BURNER BASE, 18000 BTU, TURBO	1	EA	
17	031417-000	BURNER HEAD, 12000 BTU	1	EA	
18	031418-000	BURNER HEAD, 8000 BTU	1	EA	
19	049591-000	MANIFOLD, GAS, 30"	1	EA	
20	031899-000	BURNER, BROIL, ASM	1	EA	
21	031701-000	ELECTRODE BRACKET	1	EA	Not available online / Call for pricing and availability
22	031729-000	VALVE ORIFICE FITTING, BROIL	1	EA	
23	031766-000	BAFFLE, BROIL BURNER	1	EA	
24	031804-000	VALVE, TOP BURNER	4	EA	
25	031818-000	REGULATOR, DUAL OUTLET	1	EA	
26	031821-000	BRACKET, REGULATOR MTG	1	EA	
27	031853-000	TUBING, OVEN REGULATOR	1	EA	
28	031855-000	TUBING, BROIL, D3	1	EA	Not available online / Call for pricing and availability



Item	Part No.	Name	Qty	Uom	NOTES
29	031857-000	TUBING, BAKE, D3	1	EA	NO LONGER AVAILABLE
30	031804-000	VALVE, TOP BURNER	1	EA	
31	034765-000	1/2" FEMALE PIPE TO 1/2" COMP FITTING	1	EA	
32	035216-000	ADAPTOR, 3/8 NPT TO 1/2 COMP.	1	EA	
33	039215-000	TUBING, FLEX, SST, 32" REPLACES 031830-000	1	EA	
35	PB040171	BROIL IGNITION ELECTRODE	1	EA	
36	PD020006	' #6-32 X 1/4" PH.PAN HD. T(F)	12	EA	
37	PD020261	' #8-32X1/2" PH PANHEAD MACH. SCREW	2	EA	
38	PD030044	10-24 KEPS NUT *SS*	2	EA	
39	PD020004	10X3/8PH.HD.TYPE 25 REPL PD040125	1	EA	
40	030973-000	BURNER BASE, 12000 BTU	1	EA	
41	030974-000	BURNER BASE, 8000 BTU	1	EA	
42	030977-000	BURNER BASE, FISH, 9200 BTU	1	EA	
44	031022-000	BURNER BASE, 18000 BTU	1	EA	
NI	043850-000	RANGES LP TOP BURNER ORIFICES	1	EA	

SURFACE





Item	Part No.	Name	Qty	Uom	NOTES
1	003860-000	10-18 x .500 FASTNR,SCR,HXWH,STL,ZPLT	10	EA	
2	043698-000	BURNER CHANNEL, FRONT	1	EA	
3	043681-402	30" D3 SEALED TOP W/BK PORCELAIN	1	EA	
4	031004-000	BURNER CHANNEL, REAR	1	EA	
5	031005-000	BURNER CHANNEL, CENTER	1	EA	
6	031023-000	SUPPORT, REAR BURNER BOX	1	EA	
7	031073-000	PANEL, BURNER BOX SIDE, RH	1	EA	
8	031074-000	PANEL, BURNER BOX SIDE, LH	1	EA	
9	052954-000	D3 RH GRATE ASM	1	EA	
10	052966-000	D3 LH GRATE ASM	1	EA	
11	052966-000	D3 LH GRATE ASM	1	EA	
12	031430-000	GRATE, FOOT	12	EA	
Not Shown	NOTE	(BEFORE 02/21/18)		EA	
12	051547-000	GRATE FOOT	12	EA	
Not Shown	NOTE	(ON OR AFTER 02/21/18)		EA	



Appendix A:Pages Index

BASE	1
CONTROL	2
DECOR	3
DOOR	4
ELECTRICAL	5
GAS	6
SURFACE	7



Appendix B:Parts Index

000042-000	4	031014-000	1
000647-000	5	031015-000	1
003801-000	3	031022-000	6
003860-000	1, 3, 6, 7	031023-000	7
004133-000	5	031030-000	1
005329-000	6	031034-000	1
009112-000	6	031073-000	7
012565-000	5	031074-000	7
013659-000	1	031320-000	1
013660-000	1	031388-000	6
013986-000	3	031392-000	6
014221-000	4	031393-000	6, 6
014502-000	1	031412-000	6, 6
014543-000	3	031413-000	6
014748-402	1	031414-000	6
015106-000	3	031416-000	6
015208-000	5	031417-000	6
015981-000	5	031418-000	6
019175-000	1	031430-000	7
019176-000	1	031445-402	1
019958-000	5	031673-000	1
021225-402	1	031674-000	1
021225-403	1	031678-000	1
021319-000	5	031679-000	1
023090-000	5	031701-000	6
023578-000	1	031729-000	6
023579-000	1	031766-000	6
023580-000	1	031777-000	1
023651-000	5	031804-000	6, 6
026965-000	4	031818-000	6
027922-000	3	031821-000	6
027968-000	2	031831-000	1
030906-000	4	031853-000	6
030973-000	6	031855-000	6
030974-000	6	031857-000	6
030977-000	6	031899-000	6
030984-000	6	032813-000	3
030985-000	1	032816-000	3
031004-000	7	032965-000	3
031005-000	7	033198-000	1
		033529-000	5



033583-000	1	043850-000	6
033585-000	1	044178-000	3
033586-000	1	049133-000	1
033588-000	1	049591-000	6
033668-000	5	050172-000	2
034765-000	6	051547-000	7
035005-002	3	051818-000	3
035005-006	3	052954-000	7
035006-002	3	052966-000	7, 7
035006-006	3	066203-000	1
035216-000	6	066225-402	1, 3
035230-000	1	068653-601	5
035322-000	1	072465-000	6
035590-000	4	A20012649	1
035887-000	2	A20014089	5
035893-000	2	A2004428	1
036279-000	4	G40015469	5
036576-000	5	PA010093	2
039090-2393	2	PA020058	5
039215-000	6	PB040170	5
040971-000	1	PB040171	6
042084-000	4	PC030007	1
042133-000	1	PD020004	5, 6
042178-000	1	PD020006	6
042263-000	2	PD020010	5
042265-000	2	PD020032	3
042266-000	2	PD020043	5
042502-002	4	PD020046	2
042502-006	4	PD020048	1
042523-000	4	PD020067	5
042524-002	4	PD020232	1, 3
042524-006	4	PD020261	2, 6
042571-000	3	PD030044	6
042658-000	2	PD040004	2
042717-002	3	PE050206	5
042717-006	3	PE050208	5
043135-000	5	PJ030034	5
043672-000	6	PJ030035	5
043678-000	5	PJ030039	5
043681-402	7		
043698-000	7		