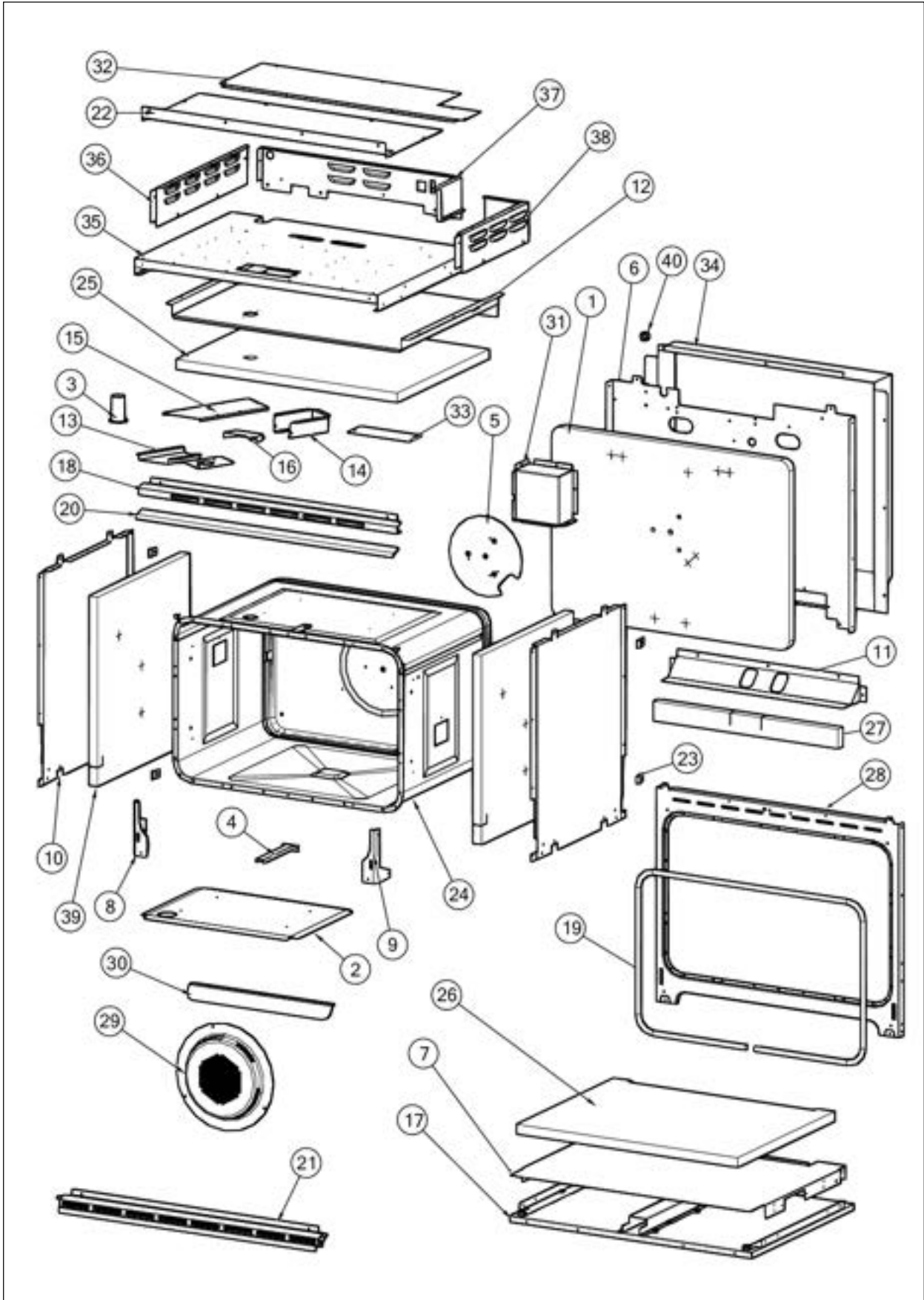


CRVSOE330

BASE	1
CONTROL	2
DECOR	3
ELECTRICAL	4
Appendix A:Pages Index	A
Appendix B:Parts Index	B

BASE



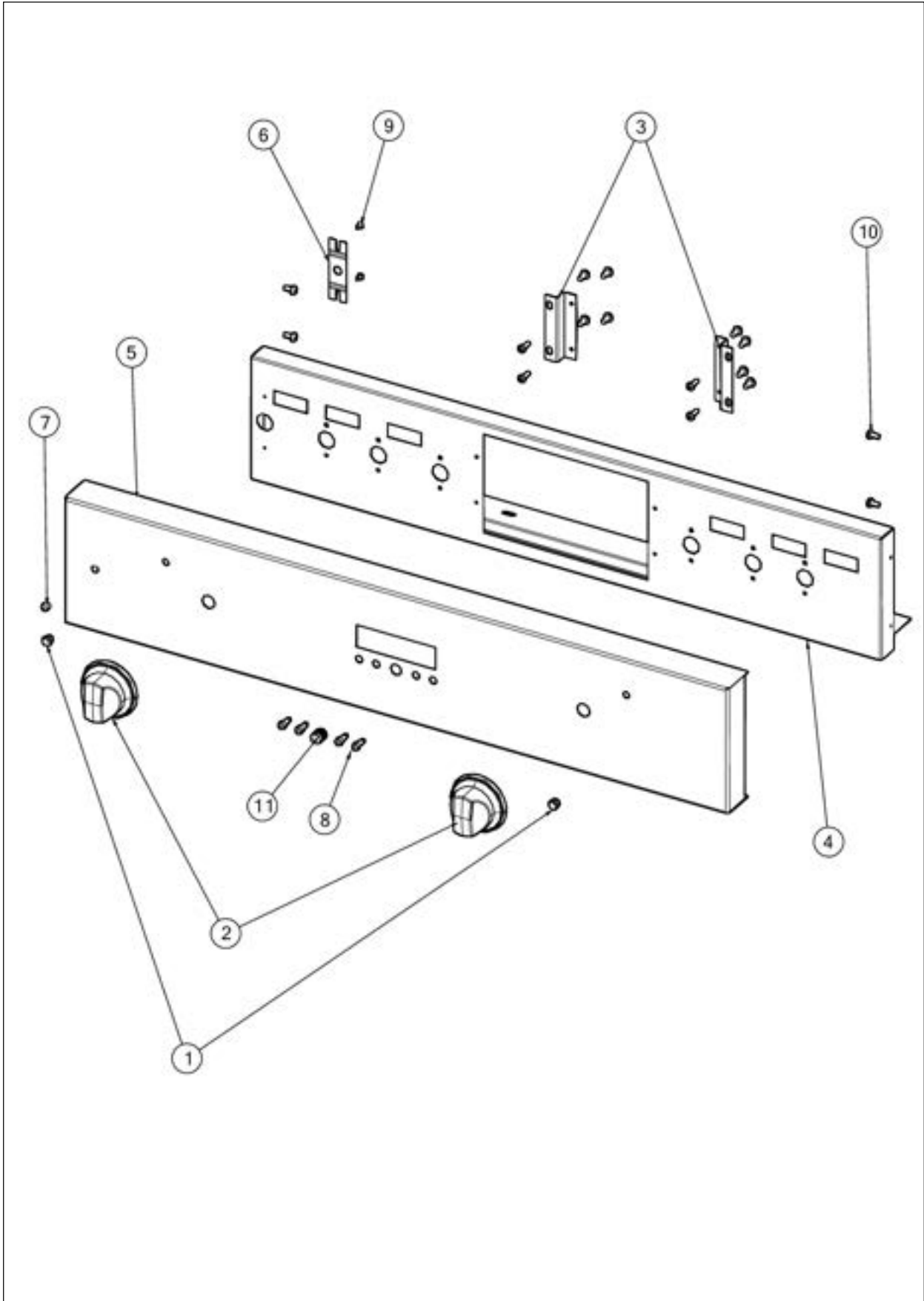


Item	Part No.	Name	Qty	Uom	NOTES
1	008860-000	INSULATION,OVEN,CAVITY,BACK	1	EA	
2	008867-000	BROIL, REFLECTOR, PLATE	1	EA	
3	008868-000	SMOKE ELIMINATOR	1	EA	
4	008872-000	OVEN, SNSR, COVER	1	EA	
5	008873-000	CONVECTION, FAN, INSULATION, RETAINER	1	EA	
6	008888-000	BACK, INS, RETAINER	1	EA	
7	008889-000	BOTTOM, INSULATION, RTNR	1	EA	
8	008894-000	RECEIVER, HINGE, LEFT	1	EA	
9	008895-000	RECEIVER, HINGE, RIGHT	1	EA	
10	008896-000	COVER,INSL,SIDE	2	EA	
11	008898-000	INSULATION, RTNR, BOT, BACK	1	EA	
12	008901-000	RETAINER, INSL, TOP	1	EA	
13	008902-000	VENT, BOX, BOT	1	EA	
14	008912-000	VENT, BOX, SIDE	1	EA	
15	008913-000	VENT, OVEN, TOP	1	EA	
16	008914-000	TRIM, VENT, SEAL	1	EA	
17	008930-000	BOTTOM BASE ASSEMBLY	1	EA	
18	008931-000	MID/UPPER VENT EXTRUSION	1	EA	
19	009007-000	DOOR GASKET	1	EA	
20	009011-000	LOUVER EXTRUSION	1	EA	
21	009015-000	TRIM, VENT, BTM, ASM	1	EA	
22	012541-000	PANEL, ACS, FRONT	1	EA	
23	013070-000	SIDE SPACER	4	EA	
24	N/P	RAW CAVITY WELD ASM	1	EA	
25	013502-000	INSULATION, TOP, DESIGNER	1	EA	NO LONGER AVAILABLE
26	013503-000	INSULATION, BOTTOM,DESIGNER	1	EA	
27	013504-000	BAKE INSULATION	1	EA	
28	013505-402	FRONT FRAME W/BK PORC	1	EA	
29	013580-402	CONV COVER W/BK PORC	1	EA	
30	013753-000	DEFLECTOR, BRL	1	EA	



Item	Part No.	Name	Qty	Uom	NOTES
31	015774-000	COVER, TOP CORNER	1	EA	
32	015776-000	COVER, REAR, TOP	1	EA	
33	020545-000	COVER, ACS	1	EA	
34	020956-000	COVER, BACK, SINGLE	1	EA	
35	021033-000	PANEL, MTG, TOP,CAP, ELECTRONICS	1	EA	
36	021050-000	PANEL, RH, SIDE	1	EA	
37	021051-000	COVER, BACK	1	EA	
38	021054-000	COVER, LEFT	1	EA	
39	023097-000	INSULATION, SIDE, DESIGNER	2	EA	
40	PD040005	SNAP BUSHING - 7/8"	1	EA	

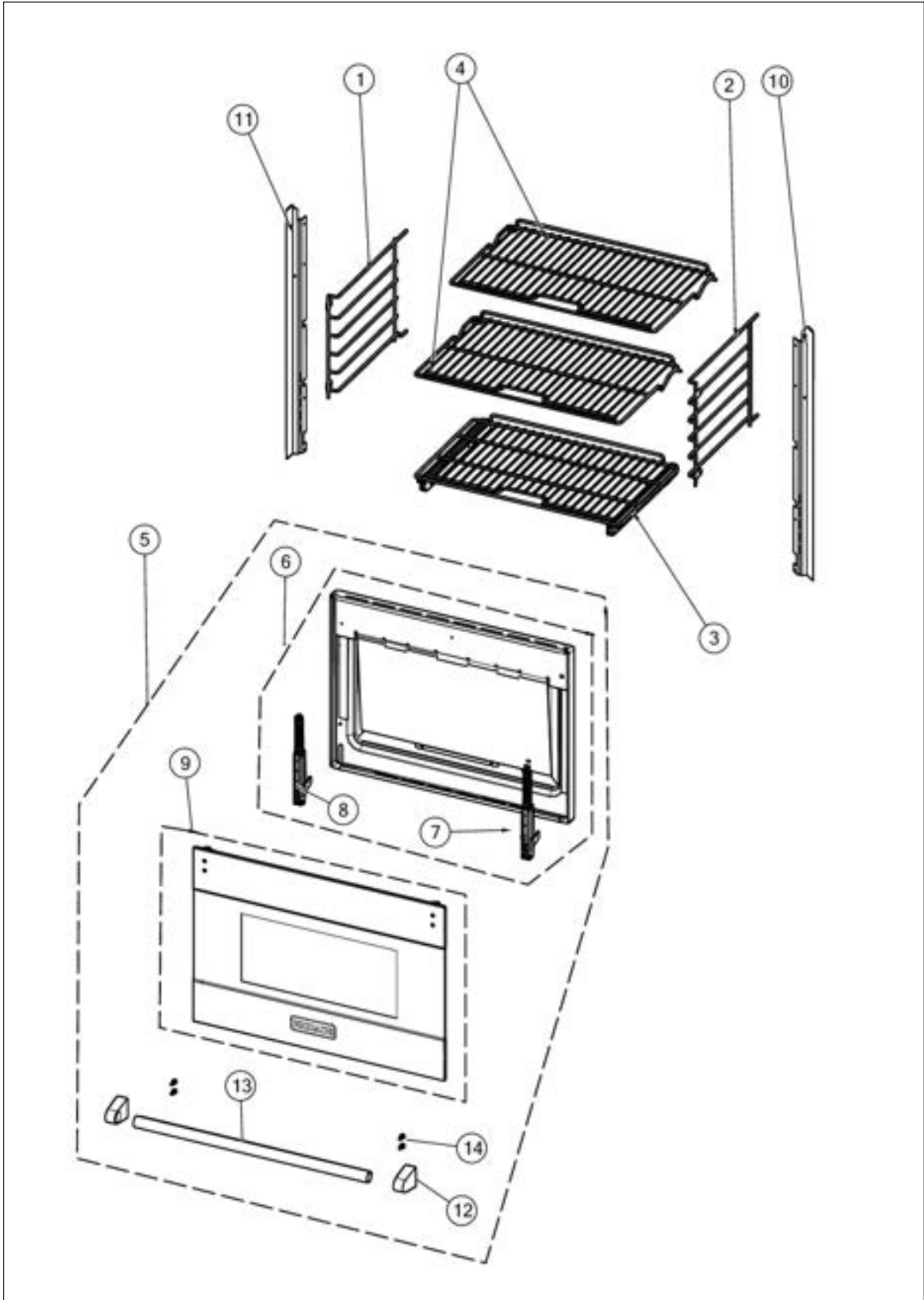
CONTROL





Item	Part No.	Name	Qty	Uom	NOTES
1	027968-000	INDICATOR, LIGHT, BLUE	2	EA	
2	042167-000	CONTROL KNOB - SS	2	EA	
3	042430-000	BRACKET, CLCK, VIKING	2	EA	
4	042432-000	CONTROL PANEL - INNER FRAME	1	EA	
5	042434-000	PANEL, CTRL, OVEN, SNGL, OTR, SST, VIKING	1	EA	
6	A10014045	LIGHT SWITCH BRACKET	1	EA	
7	PA010093	DESIGNER OVEN LT SWITCH KNOB	1	EA	
8	PB010315	DES. CLOCK BUTTON	4	EA	
9	PD020261	' #8-32X1/2" PH PANHEAD MACH. SCREW	6	EA	
10	PD020004	10X3/8PH.HD.TYPE 25 REPL PD040125	12	EA	
11	PB010222	CLOCK SET KNOB	1	EA	NO LONGER AVAILABLE

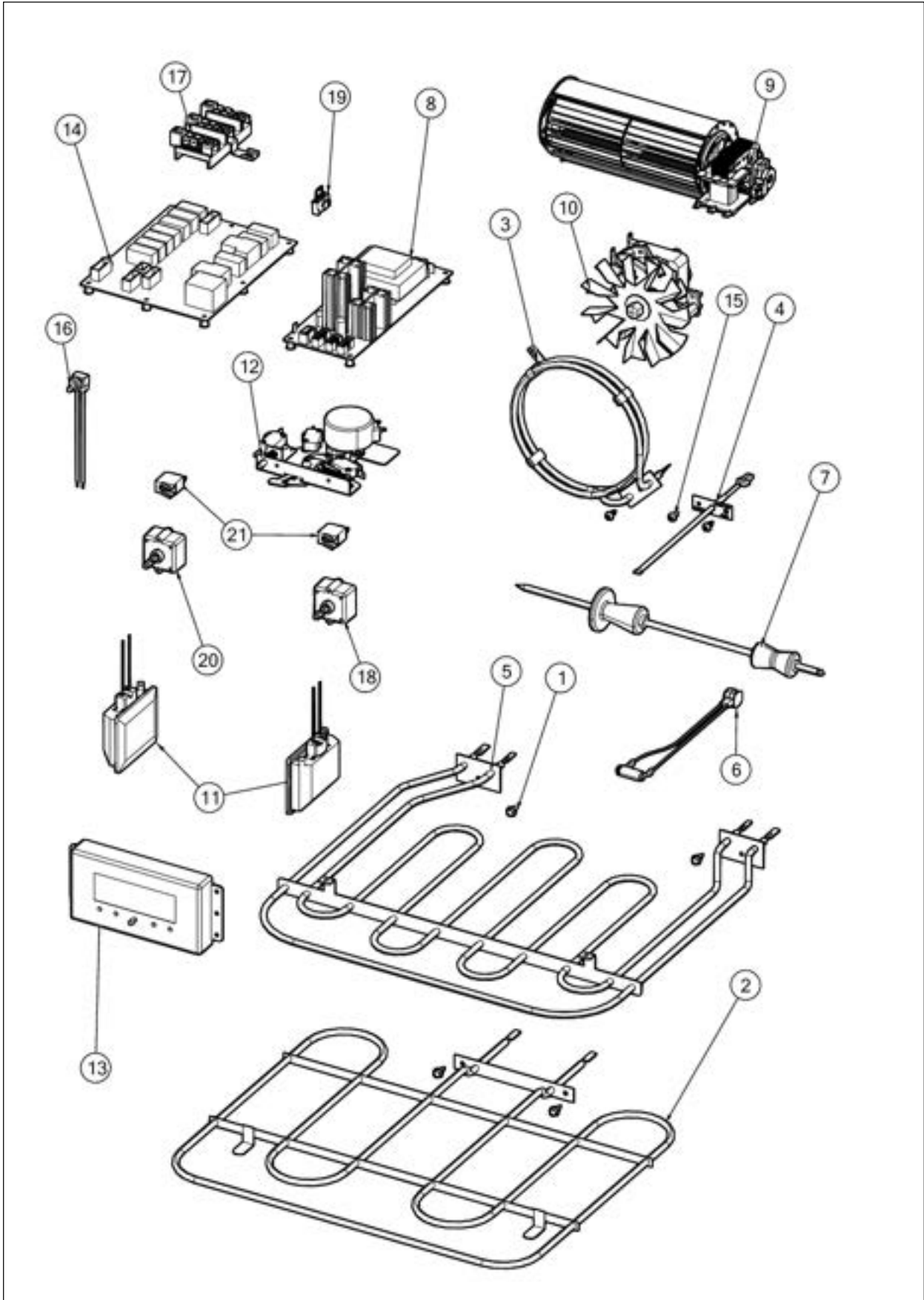
DECOR





Item	Part No.	Name	Qty	Uom	NOTES
1	066228-402	SUPPORT, RACK, OVEN, LH-BK	1	EA	
2	066229-402	SUPPORT, RACK, OVEN, RH-BK	1	EA	
3	051822-000	GLIDE RACK, W/O 30"	1	EA	
4	027919-000	RACK, OVEN, DESIGNER, 30	2	EA	
5	042707-000	DOOR, OVEN, CRVSOE/CRVDOE, SS, BRIGADE, ASSYá	1	EA	
5	042708-002	DOOR, OVEN, CRVSOE/CRVDOE, BK, BRIGADE, ASSYá	1	EA	
5	042708-006	DOOR, OVEN, CRVSOE/CRVDOE, BK, BRIGADE, ASSYá	1	EA	
6	030621-402	LINER, DOOR ASM	1	EA	
<p>Comments for Part Num. 030621-402</p> <p>bradleysapplianceservice@shaw.ca on Dec 8, 2015 The parts breakdown is incorrect for this item. 030621-402 DOOR LINER doesn't come with the door gasket and hinges at it shows in the picture.</p> <p>009007-000 DOOR GASKET</p>					
7	008955-000	HINGE RH	1	EA	
8	008958-000	HINGE LH	1	EA	
9	042695-000	DOOR, OVEN, OUTER, CRVSOE/CRVDOE,SS, BRIGADE, ASSYá	1	EA	
9	042696-002	DOOR, OVEN, OUTER, CRVSOE/CRVDOE,BK, BRIGADE, ASSYá	1	EA	
9	042696-006	DOOR, OVEN, OUTER, CRVSOE/CRVDOE,WH, BRIGADE, ASSY WHá	1	EA	
10	012535-000	SINGLE RH SIDE TRIM EXTRUSION	1	EA	
11	012536-000	SINGLE LH SIDE TRIM EXTRUSION	1	EA	
12	026965-000	END CAP, ASM, DOOR HANDLE	2	EA	
13	035590-000	W/O DF GAS SS HANDLE	1	EA	
14	014221-000	1/4-20 X .625 HEX 316 SS	4	EA	

ELECTRICAL





Item	Part No.	Name	Qty	Uom	NOTES
1	003860-000	10-18 x .500 FASTNR,SCR,HXWH,STL,ZPLT	2	EA	
2	008854-000	BAKE ELEMENT	1	EA	
3	008862-000	CONVECTION ELEMENT	1	EA	
4	008870-000	RTD	1	EA	
5	008871-000	BROIL ELEMENT	1	EA	
6	008880-000	MEAT PROBE RECEPTACLE ASM	1	EA	
7	013803-000	PROBE, MEAT, DESIGNER	1	EA	
8	015201-000	LINEAR POWER SUPPLY	1	EA	
9	079169-000	FAN, COOLING, DUAL, 230V, 60 X 180mm	1	each	
10	062104-000	MOTOR, CONV, 120VAC, 2SPD	1	EA	
11	068038-601	ASM, OVEN, LIGHT, 120V, 40W (REPLACEMENT LAMP USE 078926-000)	2	EA	
12	035630-000	LATCH, ELEC, DOOR ASSY	1	EA	
13	042804-527	TIMER, CLOCK, SMK, 14PIN, V27 (SEE 042804-000)	1	EA	
<p>Comments for Part Num. 042804-527</p> <p>gboltz@VikingRange.com on Jun 3, 2019</p> <p>See Service Bulletin TC-01125-SP</p>					
14	046142-571	CONTROL, EOC4, LED, V39/V51 & FAMILY	1	EA	
15	PD020055	#10 X 1/2" PAN PHIL. TEK.*SS*	3	EA	
16	G40015469	LIGHT SWITCH ASSEMBLY	1	EA	
17	PE070147	TERMINAL BLOCK (VDSC)	1	EA	
18	PJ030035	THERMOSTAT	2	EA	
19	PE070795	HEADER, MODEL 3, YELLOW	1	EA	
20	PJ030033	SELECTOR (10 POS)	1	EA	
21	043135-000	HOUSING, LIGHT, LED, BLUE, 3.3V	2	EA	
NI	036541-000	HARN, W, UPR, RDDOE306	1	EA	
NI	016290-000	HARNESS, LATCH	1	EA	
NI	017047-000	TOD2 RIBBON CABLE	1	EA	



Item	Part No.	Name	Qty	Uom	NOTES
NI	040196-000	CONDUIT, ELECTRICAL CORD, 48"	1	EA	



Appendix A:Pages Index

BASE	1
CONTROL	2
DECOR	3
ELECTRICAL	4



Appendix B:Parts Index

003860-000	4	014221-000	3
008854-000	4	015201-000	4
008860-000	1	015774-000	1
008862-000	4	015776-000	1
008867-000	1	016290-000	4
008868-000	1	017047-000	4
008870-000	4	020545-000	1
008871-000	4	020956-000	1
008872-000	1	021033-000	1
008873-000	1	021050-000	1
008880-000	4	021051-000	1
008888-000	1	021054-000	1
008889-000	1	023097-000	1
008894-000	1	026965-000	3
008895-000	1	027919-000	3
008896-000	1	027968-000	2
008898-000	1	030621-402	3
008901-000	1	035590-000	3
008902-000	1	035630-000	4
008912-000	1	036541-000	4
008913-000	1	040196-000	4
008914-000	1	042167-000	2
008930-000	1	042430-000	2
008931-000	1	042432-000	2
008955-000	3	042434-000	2
008958-000	3	042695-000	3
009007-000	1	042696-002	3
009011-000	1	042696-006	3
009015-000	1	042707-000	3
012535-000	3	042708-002	3
012536-000	3	042708-006	3
012541-000	1	042804-527	4
013070-000	1	043135-000	4
013502-000	1	046142-571	4
013503-000	1	051822-000	3
013504-000	1	062104-000	4
013505-402	1	066228-402	3
013580-402	1	066229-402	3
013753-000	1	068038-601	4
013803-000	4	079169-000	4
		A10014045	2



G40015469	4
PA010093	2
PB010222	2
PB010315	2
PD020004	2
PD020055	4
PD020261	2
PD040005	1
PE070147	4
PE070795	4
PJ030033	4
PJ030035	4