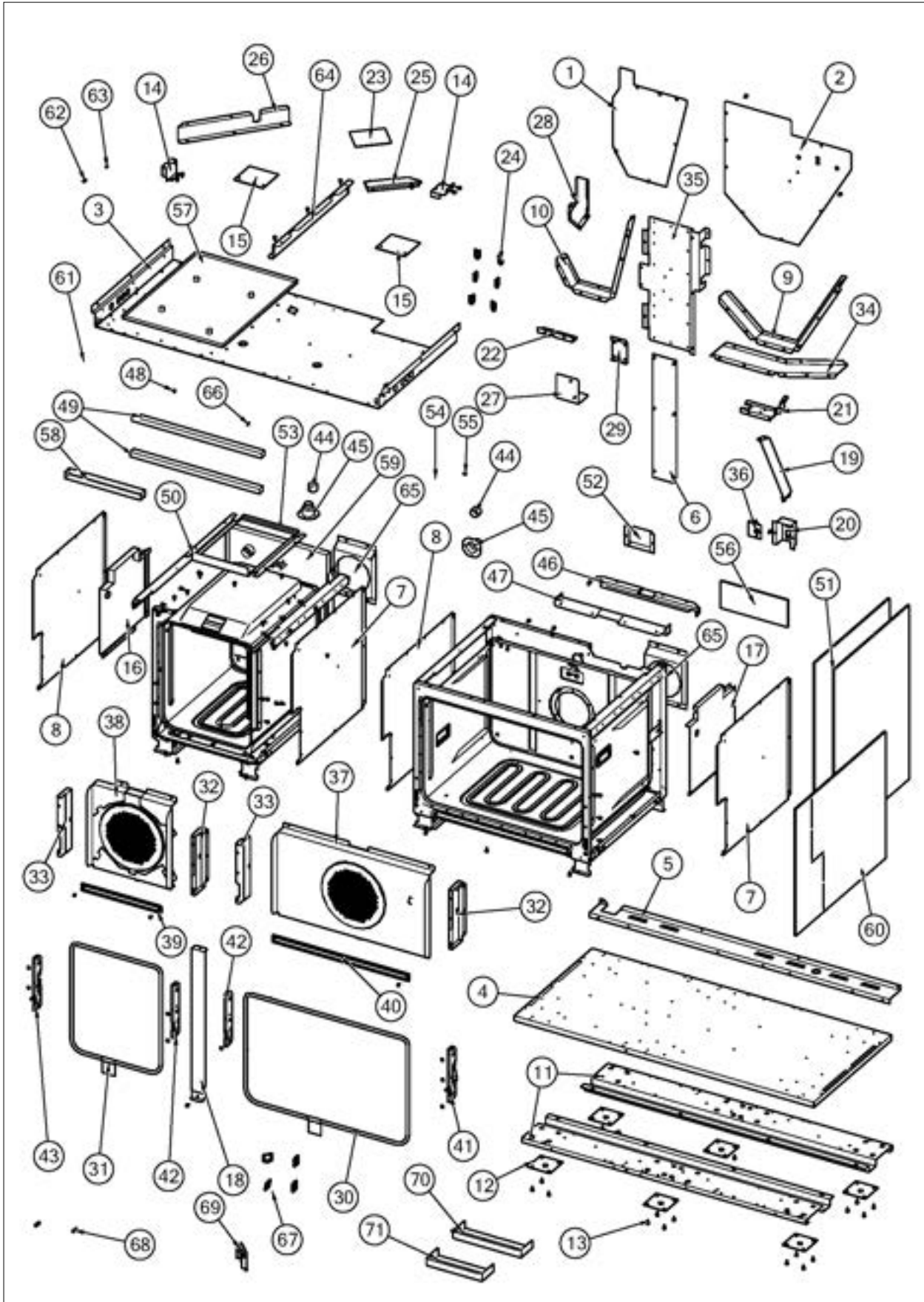


CVDR7486GSS01

| | |
|----------------------------------|----|
| CVDR7486GSS01 Base | 1 |
| CVDR7486GSS01 Surface | 2 |
| CVDR7486GSS01 Gas | 3 |
| CVDR7486GSS01 Electrical-1 | 4 |
| CVDR7486GSS01 Electrical-2 | 5 |
| CVDR7486GSS01 Electrical-3 | 6 |
| CVDR7486GSS01 Control | 7 |
| CVDR7486GSS01 Decor | 8 |
| CVDR7486GSS LH Door | 9 |
| CVDR7486GSS RH Door | 10 |
| Appendix A:Pages Index | A |
| Appendix B:Parts Index | B |

CVDR7486GSS01 Base





| Item | Part No. | Name | Qty | Uom | NOTES |
|-----------|------------|--|-----|-----|-------|
| 1 | 047813-000 | PANEL, CVR, LH | 1 | EA | |
| 2 | 047812-000 | PANEL, CVR, RH | 1 | EA | |
| 3 | 043765-000 | PANEL, INSL, 48" TOP DF | 1 | EA | |
| 4 | 043907-000 | BASE, BOT, 48" GAS (NON-SERVICEABLE PART) | 1 | EA | |
| 5 | 043864-000 | RANGE, BASE, BACK, DF (NON-SERVICEABLE PART) | 1 | EA | |
| 6 | 044862-000 | BRKT, REAR, CAVITY, INTL | 1 | EA | |
| 7 | 048194-000 | RETAINER, INSULATION, WRAPPER, RH | 2 | EA | |
| 8 | 048200-000 | RETAINER, WRAPPER, INSULATION, LH | 2 | EA | |
| 9 | 049784-000 | BAFFLE, FAN, REAR | 1 | EA | |
| 10 | 047806-000 | BAFFLE, AIR, REAR, VDSC 18" | 1 | EA | |
| 11 | 047055-000 | BRACKET, LEG, OFFSET (NON-SERVICEABLE PART) | 2 | EA | |
| 12 | PC030007 | LEG PLATE - 3/4" THREADED HOLE | 6 | EA | |
| 13 | 003860-000 | 10-18 x .500 FASTNR,SCR,HXWH,STL,ZPLT | 1 | EA | |
| 14 | 046065-000 | BRACKET, SWITCH, OVEN LIGHT | 2 | EA | |
| 15 | 013564-000 | LOWER LATCH INSULATION | 2 | EA | |
| 16 | 048646-000 | SHIELD, DIVERTER, HEAT, LH | 1 | EA | |
| 17 | 048962-000 | SHIELD, DIVERTER, HEAT, RH | 1 | EA | |
| 18 | 048644-000 | TRIM, CTR, VDR 48" | 1 | EA | |
| 19 | 049755-000 | DIVERTER, AIR, BACK WALL, VDSC | 1 | EA | |
| 20 | N/P | BRKT, TEST, DF | 1 | EA | |
| Not Shown | NOTE | (NOT FIELD REPLACEABLE) | | EA | |
| 21 | 049785-000 | BAFFLE, FAN, REAR, TOP | 1 | EA | |
| 22 | 047841-000 | BRKT, MOUNT, CAPACITOR | 1 | EA | |
| 23 | 004285-000 | INSULATION, FOIL-BACKED,4"x5" | 1 | EA | |
| 24 | 045548-000 | CLIP, ROUTING, WIRE | 6 | EA | |
| 25 | 003333-000 | DUCT, FLUE | 1 | EA | |
| 26 | 048639-000 | DIVERTER, AIR, LH | 1 | EA | |



| Item | Part No. | Name | Qty | Uom | NOTES |
|--------------|------------|---|-----|-----|-------|
| 27 | 047826-000 | BRKT, BASE, RETAINER, VALVE, SHUT OFF | 1 | EA | |
| 28 | 044838-000 | EXHAUST, DUCT, REAR, VDSC 18" INTL | 1 | EA | |
| 29 | N/P | SHELF, SUPPLY, POWER | 1 | EA | |
| Not Shown | NOTE | (NOT FIELD REPLACEABLE) | | EA | |
| 30 | 044796-000 | GASKET, LINER, DF, ASM, 30" | 1 | EA | |
| Not Shown | NOTE | (BEFORE 09/16/14) | | EA | |
| 30 | 051590-000 | GASKET, LINER, DF, ASM, 30" | 1 | EA | |
| Not Shown | NOTE | (ON OR AFTER 09/16/14) | | EA | |
| 31 | 044818-000 | GASKET, LINER, DF, ASM, 18" | 1 | EA | |
| Not Shown | NOTE | (BEFORE 09/16/14) | | EA | |
| 31 | 051595-000 | GASKET, LINER, DF, ASM, 18" | 1 | EA | |
| Not Shown | NOTE | (ON OR AFTER 09/16/14) | | EA | |
| NI | 051580-000 | BRACKET, GASKET | 2 | EA | |
| 32 | 048195-000 | SHIM, SHIELD, RETAINER, RH HINGE | 2 | EA | |
| 33 | 048199-000 | SHIM, SHIELD, RETAINER, LH HINGE | 2 | EA | |
| 34 | 047831-000 | SHIELD, DIVERTER, WATER | 1 | EA | |
| 35 | 047798-000 | PNL, TRAY, MOUNT, ELECTRONICS | 1 | EA | |
| 36 | A2002195 | POWER CORD MOUNTING BRKT (VDSC) | 1 | EA | |
| 37 | 032857-000 | BAFFLE, CNVN, ASM, D3 BLACK | 1 | EA | |
| 38 | 006176-000 | BAFFLE, CNVN, ASM, VDSC 18" | 1 | EA | |
| 39 | 003490-000 | COVER,BAKE, 18" | 1 | EA | |
| 40 | E9109655 | BAKE TRAY COVER | 1 | EA | |
| 41 | 054057-000 | RECEIVER, HINGE, SLOW- CLOSE, DAMPENED | 1 | EA | |
| 42 | 045060-000 | RECEIVER, HINGE, SLOW- CLOSE, UNDAMPENED | 2 | EA | |
| 43 | 057805-000 | RECEIVER, HINGE, NUOVA STAR, DAMPENED | 1 | EA | |

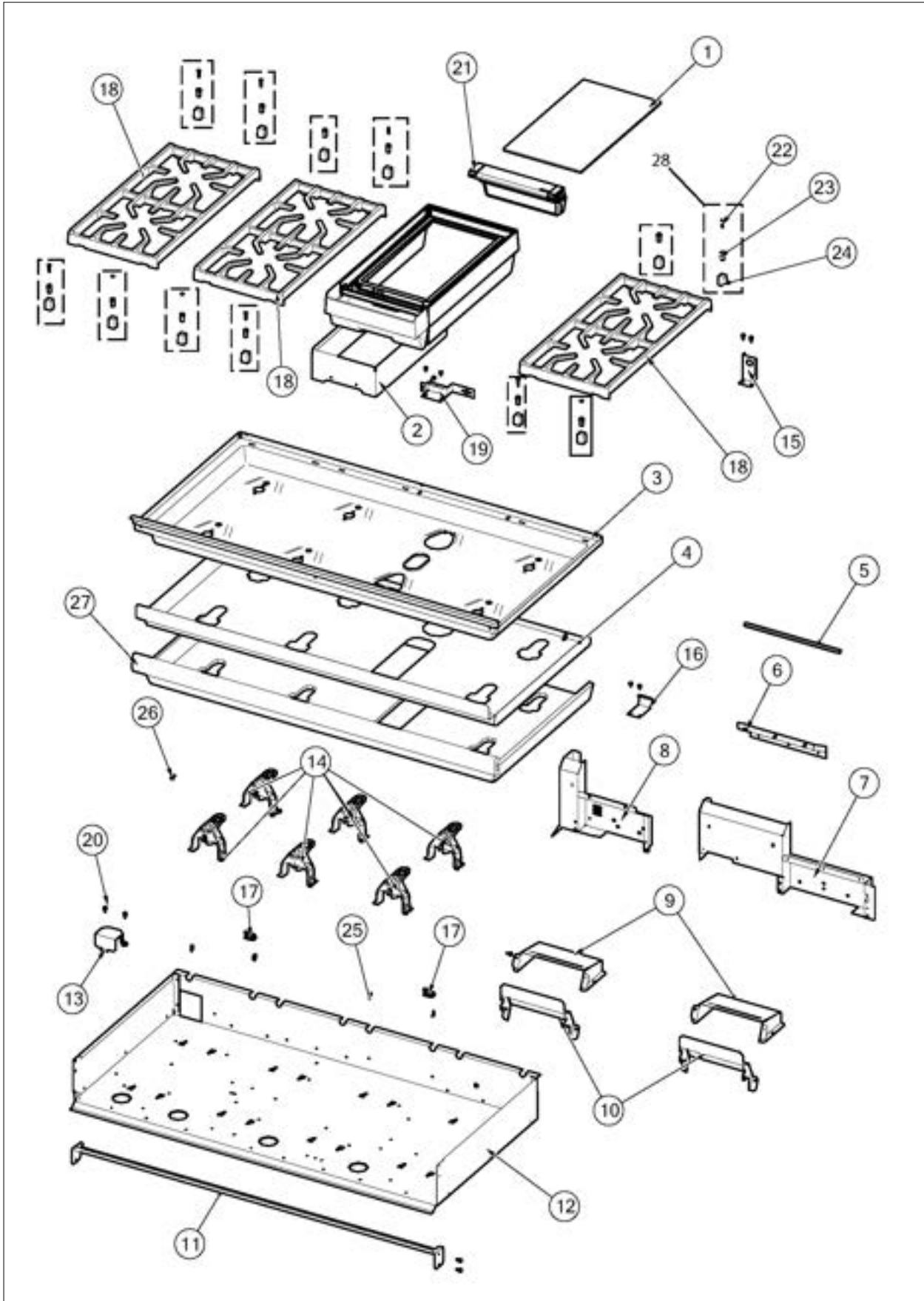


| Item | Part No. | Name | Qty | Uom | NOTES |
|------|------------|--|-----|-----|-------|
| 44 | PB020275 | VENT TUBE | 2 | EA | |
| 45 | PM010014 | SMOKE ELIMINATOR (VDSC) | 2 | EA | |
| 46 | 024221-000 | BRACKET, BROILER, REAR | 1 | EA | |
| 47 | 024234-000 | BRACKET, BROILER, FRONT | 1 | EA | |
| 48 | 037304-000 | FASTENER, PNH, TORX, AB, PSVD, WAX | 1 | EA | |
| 49 | 013547-000 | BAKE ELEMENT INSULATION | 2 | EA | |
| 50 | 043763-000 | BRKT, TOP, WRAPPER | 4 | EA | |
| 51 | 033588-000 | INSULATION, TOP FOIL BACK | 2 | EA | |
| 52 | 048838-000 | DIVERTER, SHIELD, HEAT, DUCT | 1 | EA | |
| 53 | 006748-000 | BRACKET,SST,201HP,MILL,VD SC18",GLASS BROILER | 1 | EA | |
| 54 | 037304-000 | FASTENER, PNH, TORX, AB, PSVD, WAX | 1 | EA | |
| 55 | 014143-000 | SCR 10-12 A SHLD TRP 1/2 S ZN BLUE | 1 | EA | |
| 56 | 006220-000 | INSULATION, DOOR, SKIN, TOP, VDSC18" | 1 | EA | |
| 57 | 017699-000 | INSULATION, BAKE BOTTOM | 1 | EA | |
| 58 | 017697-000 | INSULATION, BAKE, FRONT | 2 | EA | |
| 59 | 017701-000 | INSULATION, CAVITY BACK | 1 | EA | |
| 60 | 050302-000 | INSULATION SIDE FOIL BACK | 1 | EA | |
| 61 | 046595-000 | WASHER, FIBER, BLACK | 1 | EA | |
| 62 | 043800-000 | BUMPER, RBR, BLK | 1 | EA | |
| 63 | 046651-000 | SCREW, TRILOBE, 10-32, TRUSS, PH, BLACK | 1 | EA | |
| 64 | 043866-000 | DIVERTER, AIR, DF | 1 | EA | |
| 65 | A2009697 | BRACKET, CONVECTION INSULATION | 2 | EA | |
| 66 | PD020010 | 10 X 3/8 GREEN GROUNDING SCREW | 1 | EA | |
| 67 | 045550-000 | SADDLE, WIRE, EDGE | 4 | EA | |
| 68 | 044044-000 | GROMMET, SWITCH, DOOR, RBR | 2 | EA | |
| 69 | 047827-000 | BRKT, RETAINER, TOP, REGULATOR | 2 | EA | |
| 70 | 049484-000 | BRACKET, FILLER, BLOWER | 2 | EA | |



| Item | Part No. | Name | Qty | Uom | NOTES |
|------|------------|------------------------------------|-----|-----|-------|
| 71 | 049485-000 | BRACKET, FAN, MT, BOT, VDSC 18" | 1 | EA | |
| NI | 048460-000 | INSULATION KIT #8 | 1 | EA | |
| NI | 048457-000 | INSULATION KIT #10 | 1 | EA | |
| NI | 048458-000 | INSULATION KIT #2 | 1 | EA | |

CVDR7486GSS01 Surface

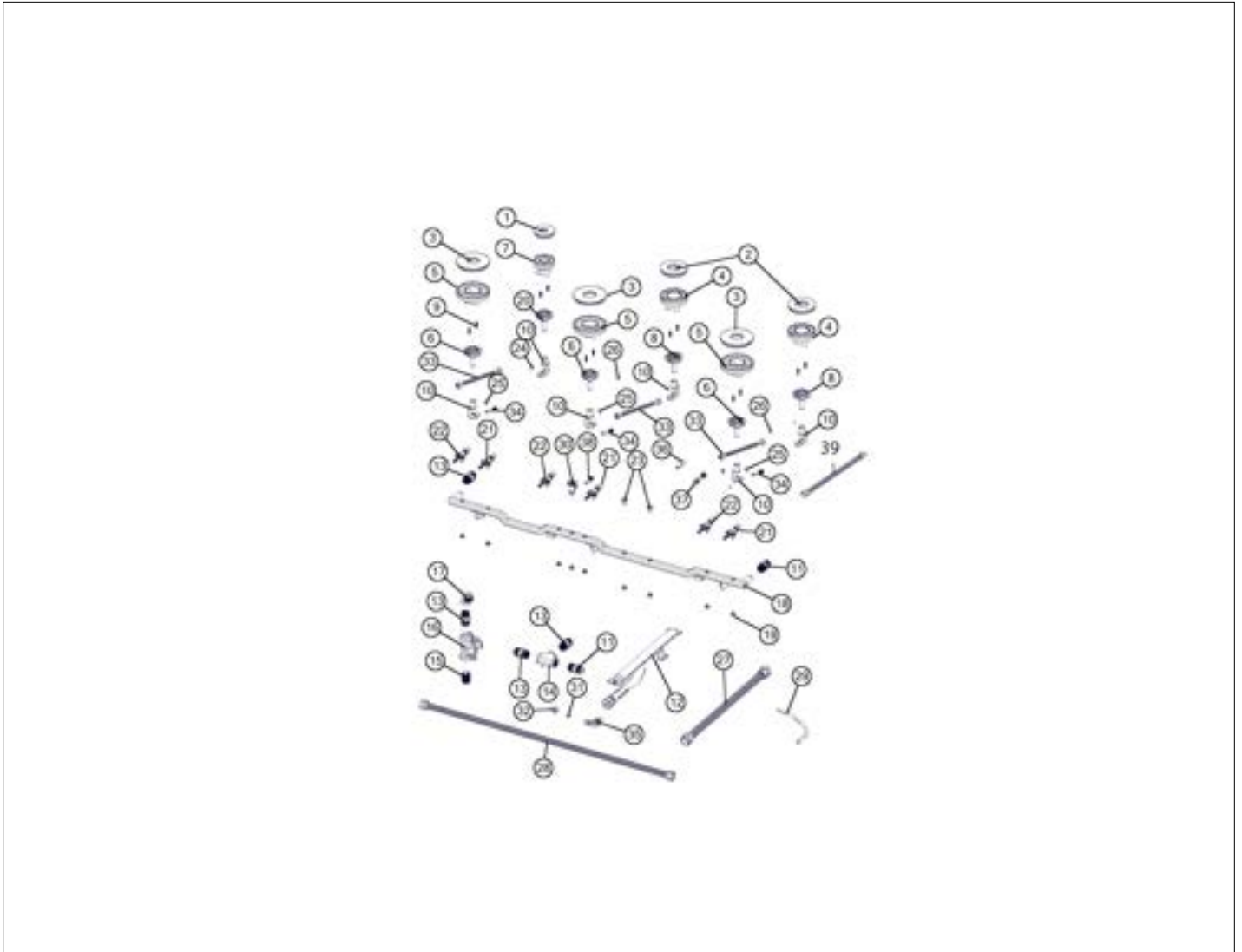




| Item | Part No. | Name | Qty | Uom | NOTES |
|-----------|------------|--|-----|-----|-------|
| 1 | 044873-000 | PLATE, 10", GRIDDLE. | 1 | EA | |
| 2 | 046854-000 | SHIELD, HEAT | 1 | EA | |
| 3 | 049053-402 | PAN, BNR, SHIM, ASM, BLK, 48" GRIDDLE | 1 | EA | |
| 4 | 049749-000 | TRAY, INSULATION, BURNER PAN, GRIDDLE, 48" | 1 | EA | |
| 5 | 028325-200 | ADHESIVE GASKET, 1/4" X 3/8" | 1 | EA | |
| 6 | 047816-000 | DIVERTER, WATER, DUMP | 1 | EA | |
| 7 | 043851-000 | DUCT, RH, ADJUSTABLE, DIVERTER, AIR | 1 | EA | |
| 8 | 043861-000 | DUCT, LH, ADJUSTABLE, DIVERTER, AIR | 1 | EA | |
| 9 | 049753-000 | SHIELD, HEAT, HARNESS, BTM | 2 | EA | |
| 10 | 049964-000 | SHIELD, HEAT, HARNESS, TOP | 2 | EA | |
| 11 | 049728-000 | BRACKET, MTG, 48" CONTROL PANEL | 1 | EA | |
| 12 | 043766-000 | BOX, BNR, 48" | 1 | EA | |
| 13 | 048188-000 | BRACKET, TEE, PIPE | 1 | EA | |
| 14 | 066170-000 | SUPPORT, HLDR, JET | 6 | EA | |
| 15 | 045888-000 | BRKT, GRDL | 1 | EA | |
| 16 | 045840-000 | BURNER, HOLDER, REAR | 1 | EA | |
| 17 | 045548-000 | CLIP, ROUTING, WIRE | 2 | EA | |
| 18 | 042545-000 | GRATE, CAST, 12" | 3 | EA | |
| 19 | 045843-000 | BRKT, BURNER, SPT | 1 | EA | |
| 20 | 003860-000 | 10-18 x .500 FASTNR,SCR,HXWH,STL,ZPLT | 1 | EA | |
| 21 | 066839-000 | TROUGH, GRS, GRIDDLE, ASM | 1 | EA | |
| 22 | 049534-000 | SCREW, 8-32 X 3/4, PHIL, FLAT | 12 | EA | |
| Not Shown | NOTE | (MUST ORDER ITEM 28) | | EA | |
| 23 | 046873-000 | SILENCER, GRATE | 12 | EA | |
| Not Shown | NOTE | (MUST ORDER ITEM 28) | | EA | |
| 24 | 042410-000 | SUPPORT, GRATE | 12 | EA | |
| Not Shown | NOTE | (MUST ORDER ITEM 28) | | EA | |
| 25 | 050610-000 | SADDLE, WIRE, EDGE, .46 X .29 | 8 | EA | |



| Item | Part No. | Name | Qty | Uom | NOTES |
|---|------------|--|-----|-----|-------|
| 26 | PD020068 | ' #10 - 32 X 1/2"TRUSS. PHIL. M.*SS* | 1 | EA | |
| 27 | 049776-000 | INSULATION, LINER, GRIDDLE, BURNER PAN, 48" | 1 | EA | |
| 28 | 058147-000 | GRATE, LEG, ASSY, PHASE 2 (BLK) | 12 | EA | |
| Comments for Part Num. 058147-000 | | | | | |
| gboltz@VikingRange.com on Jun 6, 2016 | | | | | |
| See parts bulletin 2016-03P Grate support changes | | | | | |
| NI | 014143-000 | SCR 10-12 A SHLD TRP 1/2 S ZN BLUE | | EA | |
| NI | 048961-000 | STANDOFF, TWIST LOCK, TALL | 9 | EA | |
| NI | 037304-000 | FASTENER, PNH, TORX, AB, PSVD, WAX | | EA | |
| NI | 047069-000 | BASE, SUMP, GRIDDLE, ASM. | 1 | EA | |



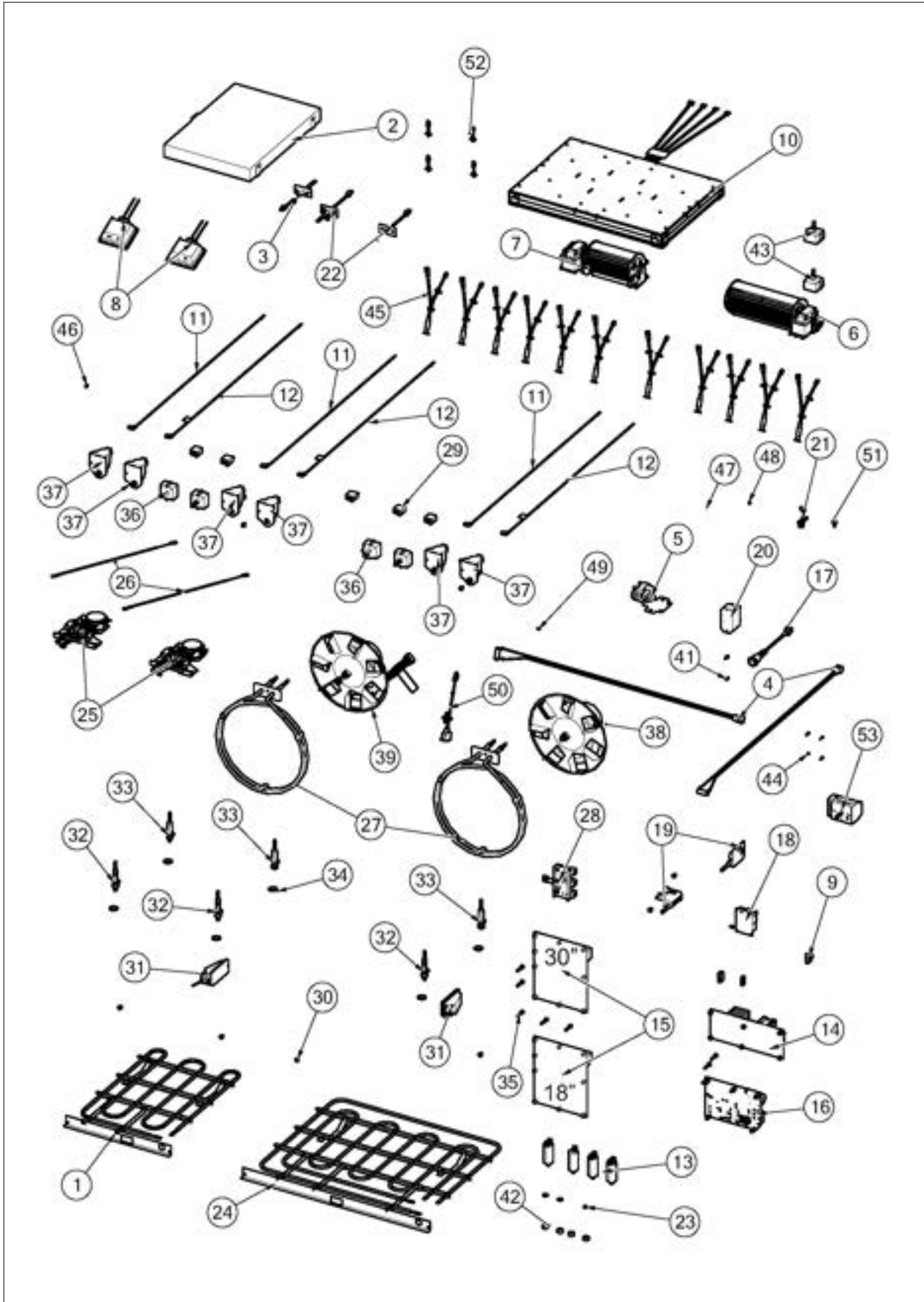


| Item | Part No. | Name | Qty | Uom | NOTES |
|------|------------|--|-----|-----|-------|
| 1 | 043791-000 | BURNER, HEAD, BRS, C-SIZE | 1 | EA | |
| 2 | 066169-000 | BURNER, HEAD, D | 2 | EA | |
| 3 | 066172-000 | BURNER, HEAD, E | 3 | EA | |
| 4 | 066105-000 | BASE, BNR, D | 2 | EA | |
| 5 | 053357-000 | BASE, BNR, E-SIZE | 3 | EA | |
| 6 | 067030-000 | VENTURI, E NAT, FLANGE, BNR | 3 | EA | |
| 6 | 067031-000 | VENTURI, E LP, FLANGE, BNR - LP | 3 | EA | |
| 7 | 043790-000 | BURNER, BASE, C-SIZE | 1 | EA | |
| 8 | 066171-000 | VENTURI, D NAT, D LP, FLANGE, BNR | 2 | EA | |
| 9 | 046964-000 | SCREW, 10-32 X 3/4", CTSK, BLACK | | EA | |
| 10 | 063295-000 | HOLDER, JET, BURNER | 6 | EA | |
| 11 | 044824-000 | FITTING, ADAPTOR, 1/2" FLEX TUBING | 2 | EA | |
| 12 | 046133-000 | BURNER, GRIDDLE, 700- SERIES | 1 | EA | |
| 13 | 044321-000 | FITTING, ADAPTOR, 3/4" FLEX TUBING | 4 | EA | |
| 14 | 044323-000 | TEE, PIPE, 3/4 | 1 | EA | |
| 15 | 044322-000 | NIPPLE, CLOSE, 3/4" NPTM TO 3/4" NPTM | 1 | EA | |
| 16 | 046119-000 | PRESSURE REGULATOR (NAT) | 1 | EA | |
| 16 | 046120-000 | REGULATOR, PRSS, 3/4" INLET, 3/4" OUTLET (LP) | 1 | EA | |
| 17 | 044325-000 | ELBOW, 90 DEG STREET, 3/4" NPT | 1 | EA | |
| 18 | 056463-000 | MANIFOLD, GRIDDLE, GAS, 48", ASM | 1 | EA | |
| 19 | PD010012 | VALVE BOLT 1/4-20 UNC-2B 5/16" M.S. | 18 | EA | |
| 20 | 044686-000 | VENTURI, C NAT, C LP, FLANGE, BNR | 1 | EA | |
| 21 | 061225-000 | VALVE, GAS, C & D-BNR, NAT | 3 | EA | |
| 21 | 061227-000 | VALVE, GAS, C & D-BNR, LP | 3 | EA | |
| 22 | 061224-000 | VALVE, GAS, E-BNR, NAT | 3 | EA | |
| 22 | 061226-000 | VALVE, GAS, E-BNR, LP | 3 | EA | |



| Item | Part No. | Name | Qty | Uom | NOTES |
|------|------------|--------------------------------------|-----|-----|-------|
| 23 | 002884-000 | MANIFOLD PLUG | 2 | EA | |
| 24 | 044688-000 | ORIFICE, BNR, STD, 1.22MM | 1 | EA | |
| 24 | 044820-000 | ORIFICE, BNR, STD, .813MM | 1 | EA | |
| 25 | 043675-000 | ORIFICE, BNR, STD, 2.18MM | 3 | EA | |
| 25 | 043679-000 | ORIFICE, BNR, STD, 1.32MM | 3 | EA | |
| 26 | 046184-000 | ORIFICE, BNR, STD, 1.70MM | 2 | EA | |
| 26 | 043680-000 | ORIFICE, BNR, STD, 1.07MM | 2 | EA | |
| 27 | 046399-000 | TUBING, 3/4 FLEX, SST, 20 | 1 | EA | |
| 28 | 044832-000 | TUBING, 1/2 FLEX, SST, 38 | 1 | EA | |
| 29 | PB020116 | TUBING - 10" FLEXIBLE 12 & 24" | 1 | EA | |
| 30 | 007147-000 | SHUT OFF VALVE | 1 | EA | |
| 31 | PB040192 | 3/8" CC FERREL (DGCU) | 1 | EA | |
| 32 | PB040213 | 3/8" COMPRESSION NUT (DGCU) | 1 | EA | |
| 33 | PB020198 | 20" FLEX TUBING | 3 | EA | |
| 34 | PB020191 | 15" FLEX TUBE | 3 | EA | |
| 35 | PB040190 | 90 DEGREE ORIFICE FITTING #50 NAT | 1 | EA | |
| 35 | 048026-000 | 90 DEG ORIFICE FITTING (1.15MM) | 1 | EA | |
| 36 | PB020126 | 3/8" S.S. FLEX TUBING 15" (DGCU) | 1 | EA | |
| 37 | PB040050 | 3/8" CC MALE COMP. FITTING W/FERRULE | 2 | EA | |
| 38 | PB020127 | 3/8" S.S. FLEX TUBING 20" (DGCU) | 1 | EA | |
| 39 | 044310-000 | TUBING, 3/4" FLEX, SST, 13" | 1 | EA | |

CVDR7486GSS01 Electrical-1





| Item | Part No. | Name | Qty | Uom | NOTES |
|---|------------|---|-----|------|-------|
| 1 | 006166-000 | ELEMENT, BAKE, VDSC18" | 1 | EA | |
| 2 | 006380-000 | ELEMENT, GLASS, BROILER, 18" | 1 | EA | |
| 3 | 007008-000 | RTD PROBE | 1 | EA | |
| 4 | 008880-000 | MEAT PROBE RECEPTACLE ASM | 2 | EA | |
| 5 | 009111-000 | VALVE, SOL, SINGLE | 1 | EA | |
| 6 | 079169-000 | FAN, COOLING, DUAL, 230V, 60 X 180mm | 1 | each | |
| 7 | 018608-000 | FAN, BLO, 220-240V 50/60Hz ASM (MT1712) | 1 | EA | |
| 8 | 068038-601 | ASM, OVEN, LIGHT, 120V, 40W (REPLACEMENT LAMP USE 078926-000) | 2 | EA | |
| 9 | 023024-000 | HARN, HEADER, MODEL 16 (SEE MODEL_HEADER) | 1 | EA | |
| 10 | 057872-000 | ELEMENT, BRL, ASM | 1 | EA | |
| <p>Comments for Part Num. 057872-000</p> <p>gboltz@VikingRange.com on Aug 17, 2018</p> <p>When replacing the Ceramaspeed Broiler element (024040-000) with the EGO element, the original rear broiler bracket will need to be replaced with a replacement rear bracket, (013621-000) and a cover (016021-000)</p> | | | | | |
| 11 | 028312-000 | WIRE, ELECTRODE,IRIS,REAR | 3 | EA | |
| 12 | 028324-000 | WIRE, ELECTRODE,IRIS,FRONT | 3 | EA | |
| 13 | 036047-000 | CAPACITOR, CONV MOTOR, INTL | 4 | EA | |
| 14 | 038417-000 | EOC4 POWER SUPPLY BOARD, CB | 1 | EA | |
| 15 | 046142-571 | CONTROL, EOC4, LED, V39/V51 & FAMILY | 2 | EA | |
| 16 | 043453-000 | MODULE, DSI | 1 | EA | |
| 17 | 044195-000 | SWITCH, PB-LT, 5WIRE, ASSY | 1 | EA | |
| 18 | 044693-000 | SUPPLY, POWER, AC/DC 12VDC, 15W | 1 | EA | |
| 19 | 048347-000 | SWITCH, SPDT, DOOR, STRAIGHT TABS | 2 | EA | |
| 20 | 049463-000 | RELAY, DPST, 30A, 120VAC, COIL | 1 | EA | |
| 21 | PA020028 | SPARK IGNITER | 1 | EA | |

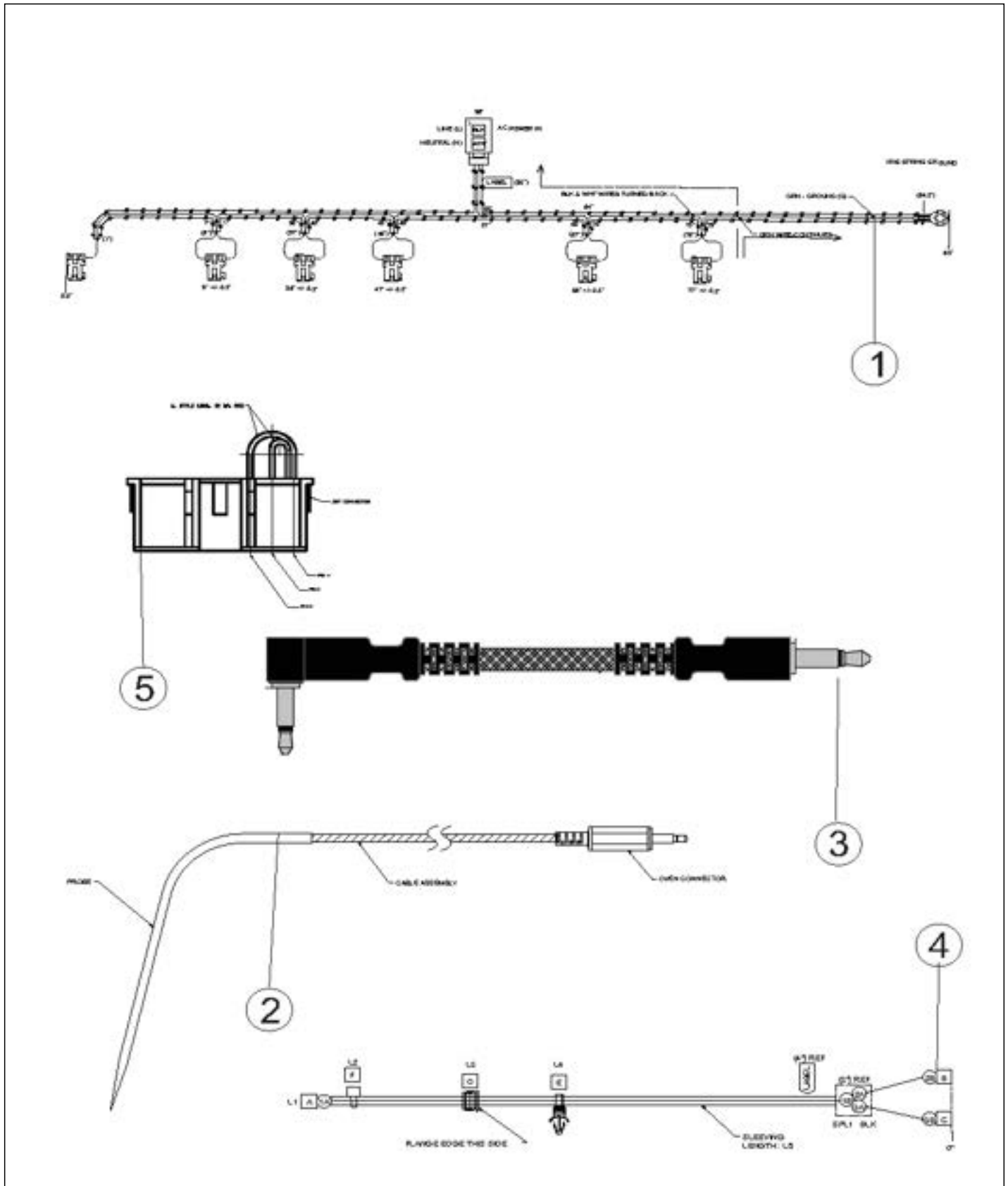


| Item | Part No. | Name | Qty | Uom | NOTES |
|------|------------|---|-----|-----|-------|
| 22 | PE050206 | RTD THERMOSTAT PROBE | 2 | EA | |
| 23 | PD040164 | 5/16 INTERNAL TOOTH LOCK WASHER TYPE A | 4 | EA | |
| 24 | PJ010048 | BAKE ELEMENT | 1 | EA | |
| 25 | 039293-000 | LATCH, ELEC, 240V, ASSY | 2 | EA | |
| 26 | 044607-000 | WIRE, GROUND | 2 | EA | |
| 27 | PJ010047 | CONVECTION ELEMENT | 2 | EA | |
| 28 | PE070147 | TERMINAL BLOCK (VDSC) | 1 | EA | |
| 29 | 043135-000 | HOUSING, LIGHT, LED, BLUE, 3.3V | 5 | EA | |
| 30 | 037304-000 | FASTENER, PNH, TORX, AB, PSVD, WAX | 1 | EA | |
| 31 | 068653-601 | LIGHT, 120V/25W, G9, HALOGEN, SIDE | 2 | EA | |
| 32 | 066809-000 | ELECTRODE, ASM E | 3 | EA | |
| 33 | 066808-000 | ELECTRODE , ASM, D | 3 | EA | |
| 34 | 045932-000 | WASHER, ELECTRODE | 6 | EA | |
| 35 | M0211021 | SCREW-SM | 1 | EA | |
| 36 | PJ030033 | SELECTOR (10 POS) | 2 | EA | |
| 37 | 035795-000 | MODULE, IGN, GAS,SNGL | 6 | EA | |
| 38 | G32014020 | CONVECTION FAN ASSY | 1 | EA | |
| 39 | 076194-000 | ASM, FAN, CONVECTION | 1 | EA | |
| 41 | PD020067 | #6 X 3/8" PAN PHIL. TEK *SS* | 1 | EA | |
| 42 | PD030172 | M8 X 1.25MM NUT | 4 | EA | |
| 43 | PJ030035 | THERMOSTAT | 2 | EA | |
| 44 | 045594-000 | SCREW, SHCS, NO.4-40 X 3/8, SS | 1 | EA | |
| 45 | 048809-000 | LAMP, LED, 12VDC, 2.84K, WHT HS, ASM & FAMILY | 11 | EA | |
| 46 | 042402-000 | WASHER, W/ADHESIVE | 2 | EA | |
| 47 | 008882-000 | FASTENER, WSHR, LCKG, 1/4 I.D. | 1 | EA | |
| 48 | 008883-000 | FASTENER, NUT, SST, 1/4 32 | 1 | EA | |
| 49 | PD020006 | ' #6-32 X 1/4" PH.PAN HD. T(F) | 1 | EA | |
| 50 | 046283-000 | SWITCH, LIGHTS, ACCENT W/CONN | 1 | EA | |



| Item | Part No. | Name | Qty | Uom | NOTES |
|------|------------|--|-----|-----|---|
| 51 | 003860-000 | 10-18 x .500 FASTNR,SCR,HXWH,STL,ZPLT | 1 | EA | |
| 52 | 045528-000 | STANDOFF, LOCKING CLIP | 4 | EA | |
| 53 | 013213-000 | TSTAT, SMPS, ELEC, 2-POS, .91" SHAFT, CB | 2 | EA | |
| NI | 049430-000 | HARN, GRIDDLE, VDR748, MAIN, LH | 1 | EA | Not available online / Call for pricing and availability |
| NI | 049433-000 | HARN, GRIDDLE, VDR748, CP, RH | 1 | EA | Not available online / Call for pricing and availability |
| NI | 049432-000 | HARN, GRIDDLE, VDR748, CP, LH | 1 | EA | Not available online / Call for pricing and availability |
| NI | 048831-000 | KITCHEN THERMOMETER P/N 1KT002 VIKING OVERLAY | 1 | EA | |
| NI | 009645-000 | MODEL HEADER 11 | 1 | EA | |

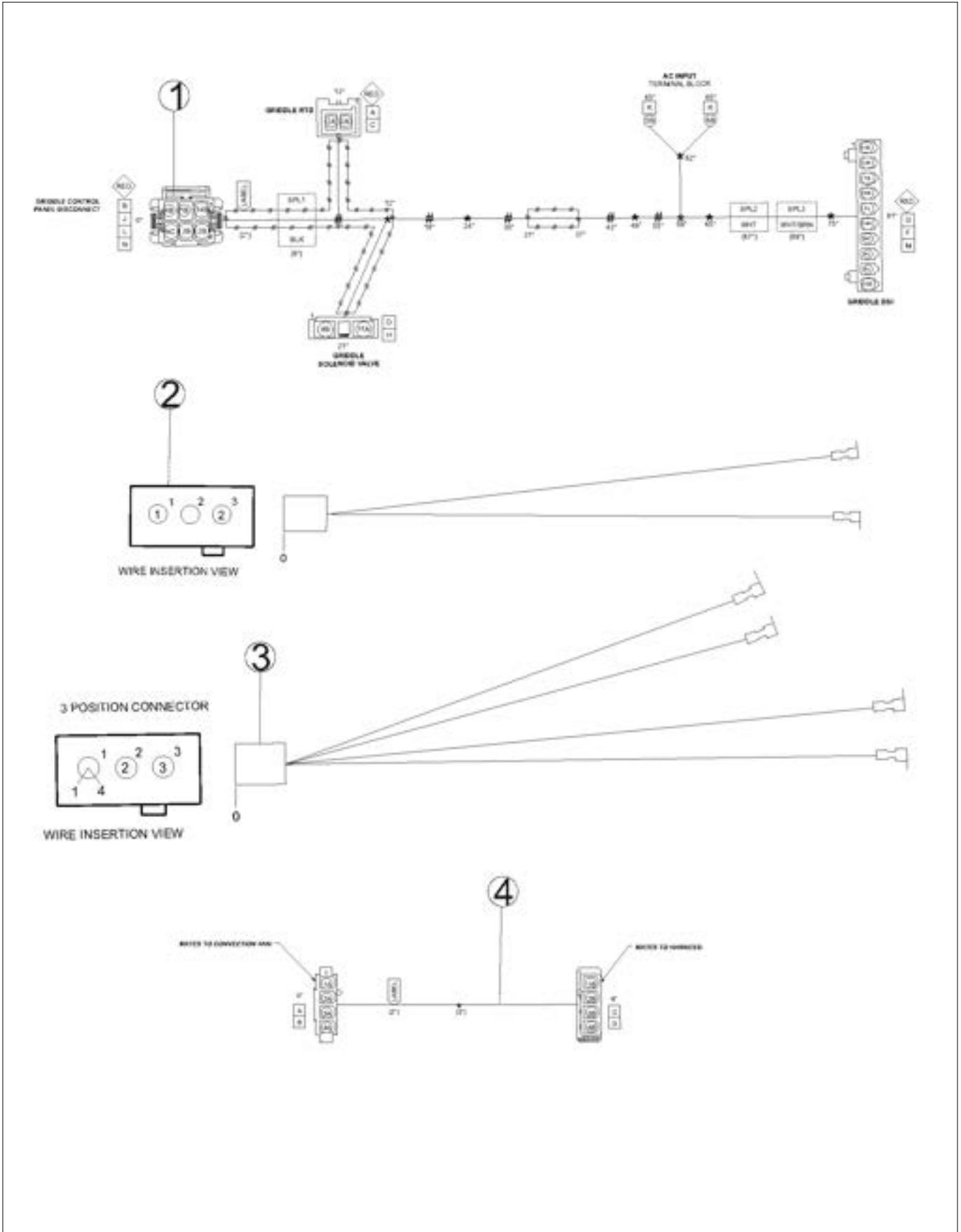
CVDR7486GSS01 Electrical-2





| Item | Part No. | Name | Qty | Uom | NOTES |
|------|------------|--|-----|-----|-------|
| 1 | 049047-000 | HARN, IRIS, 48, 6G, W/CONN | 1 | EA | |
| 2 | 046020-000 | PROBE, MEAT, OVEN, IGRILL, SST, 3.5MM | 1 | EA | |
| 3 | 046021-000 | CORD, ADPT, M-M, 2.5TS, 2.5TS, SST | 1 | EA | |
| 4 | 049310-642 | HARN, VGR, ELEC, GRID, 42" & FAMILY | 1 | EA | |
| 5 | 038655-000 | GRIDDLE,JUMPER,BRIGADE | 1 | EA | |
| NI | PE070149 | SUPPLY CORD-4 PRONG (40 AMP) | 1 | EA | |

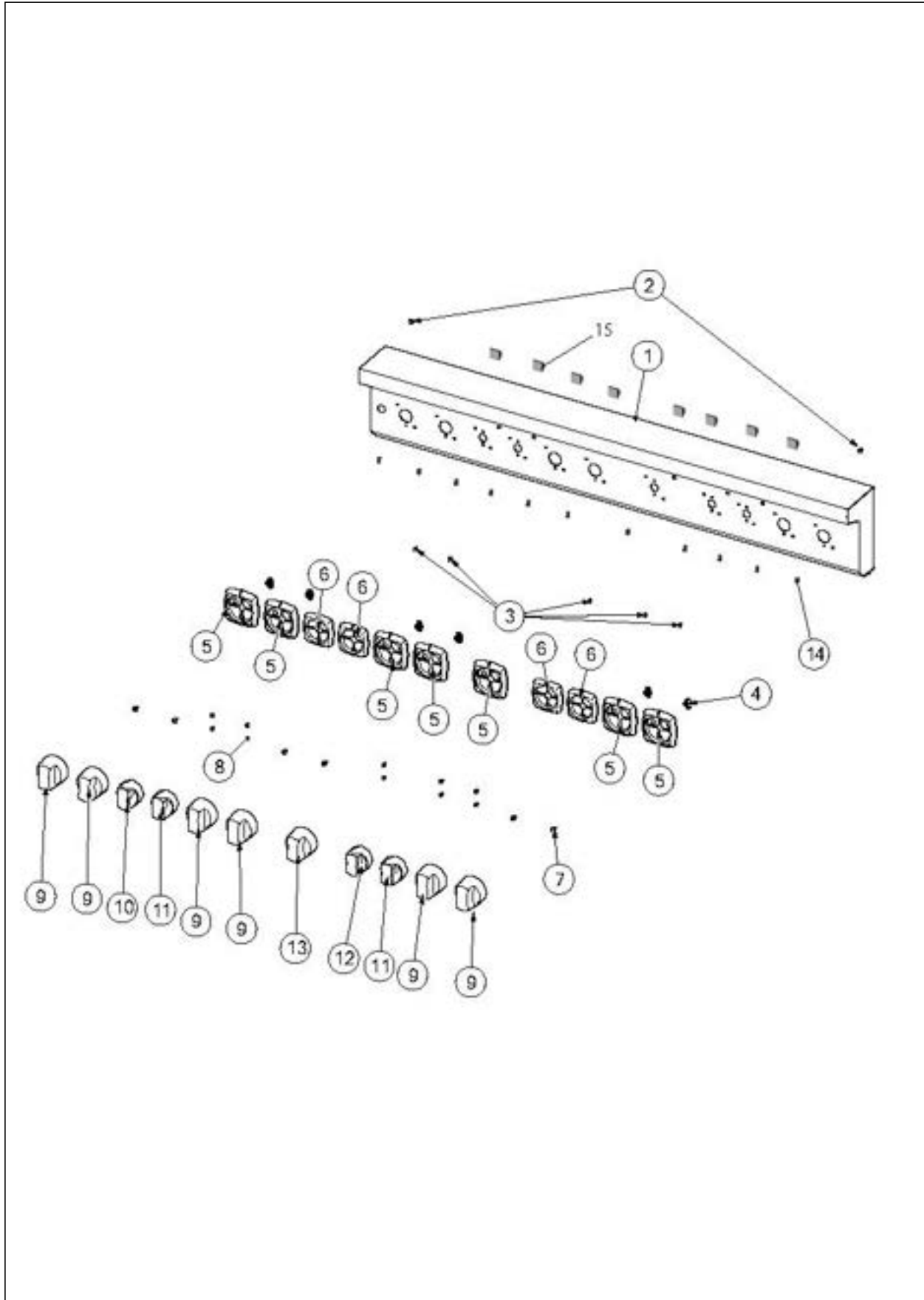
CVDR7486GSS01 Electrical-3





| Item | Part No. | Name | Qty | Uom | NOTES |
|------|------------|------------------------------------|-----|-----|-------|
| 1 | 049431-000 | HARN, GRIDDLE, VDR748, MAIN, RH | 1 | EA | |
| 2 | 013406-000 | HARNESS, BAKE, ELEMENT, VDSC18" | 1 | EA | |
| 3 | PE070739 | BAKE ELEMENT HARNESS | 1 | EA | |
| 4 | 050081-000 | HARN, JUMPER, ADAPT CONV FAN | 2 | EA | |

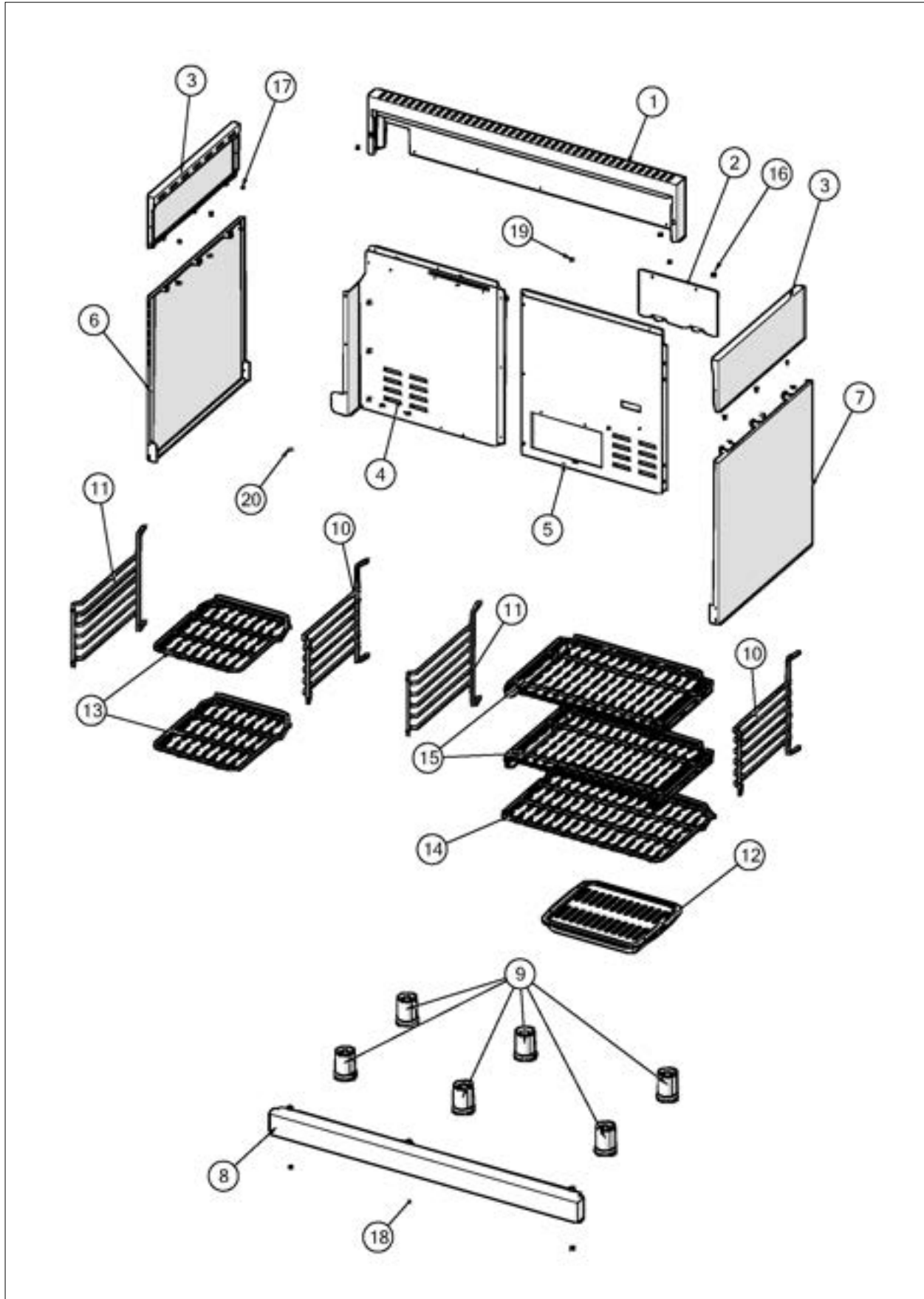
CVDR7486GSS01 Control





| Item | Part No. | Name | Qty | Uom | NOTES |
|--------------|-------------|--|-----|-----|-------|
| 1 | 048862-2668 | PNL, CTRL, VDR748, GRIDDLE, W/GRAPHICS ASSY | 1 | EA | |
| Not Shown | NOTE | (MUST ORDER ITEM 15 WHEN REPLACING CONTROL PANEL) | | EA | |
| 2 | PD020032 | SRW-8(A)X3/8"PH.WFR HD 7/16DIA*NICL | 2 | EA | |
| 3 | 027968-000 | INDICATOR, LIGHT, BLUE | 5 | EA | |
| 4 | 044512-000 | BEARING, BEZEL, ASM | 6 | EA | |
| 5 | 048309-000 | BZL, KNOB | 7 | EA | |
| 6 | 048326-000 | BZL, KNOB | 4 | EA | |
| 7 | PD020046 | ' #8 X 1/2 SCREWS | 6 | EA | |
| 8 | PD020269 | #8 PAN HEAD SCREW | 10 | EA | |
| 9 | 042558-000 | KNOB, ASSY, BURNER | 6 | EA | |
| 10 | 042771-000 | KNOB, ASSY, SELECTOR, OVEN, LH, D/F | 1 | EA | |
| 11 | 044588-000 | KNOB, SELECTOR, OVEN, DUAL FUEL | 2 | EA | |
| 12 | 044587-000 | KNOB, THERMOSTAT, OVEN, DUAL FUEL | 1 | EA | |
| 13 | 045725-000 | KNOB, THERMOSTAT, GRIDDLE ASSY | 1 | EA | |
| 14 | 044937-000 | LENS, COVER, LED, CLEAR | 11 | EA | |
| 15 | M0104106 | CLIP-CORD VM0104106 | 8 | EA | |

CVDR7486GSS01 Decor





| Item | Part No. | Name | Qty | Uom | NOTES |
|------|------------|--------------------------|-----|-----|---|
| 1 | 042797-000 | TRIM, IS, VGR, 48" | 1 | EA | |
| 2 | 047823-000 | BACK, COVER ACCESS DOOR | 2 | EA | |
| 3 | 052892-000 | COVER, OS, RH/LH UPPER | 3 | EA | |
| 4 | 047814-000 | COVER, BACK, 18" | 4 | EA | |
| 5 | 048627-000 | COVER, BACK, 30" | 5 | EA | |
| 6 | 047730-000 | COVER, OS, LH | 6 | EA | |
| 6 | 049552-024 | COVER, OS, LH, DECARB AR | 6 | EA | |
| 6 | 049552-002 | COVER, OS, LH, DECARB BK | 6 | EA | |
| 6 | 049552-008 | COVER, OS, LH, DECARB BU | 6 | EA | |
| 6 | 049552-013 | COVER, OS, LH, DECARB CB | 6 | EA | |
| 6 | 049552-051 | COVER, OS, LH CN | 6 | EA | |
| 6 | 049552-052 | COVER, OS, LH DJ | 6 | EA | |
| 6 | 049552-005 | COVER, OS, LH, DECARB GG | 6 | EA | |
| 6 | 049552-022 | COVER, OS, LH SG | 6 | EA | |
| 6 | 049552-012 | COVER, OS, LH VB | 6 | EA | |
| 6 | 049552-006 | COVER, OS, LH, DECARB WH | 6 | EA | |
| 6 | 049552-054 | COVER, OS, LH WS | 6 | EA | |
| 7 | 042375-000 | COVER, OS, RH | 7 | EA | |
| 7 | 049551-024 | COVER, OS, RH, DECARB AR | 7 | EA | |
| 7 | 049551-002 | COVER, OS, RH, DECARB BK | 7 | EA | |
| 7 | 049551-008 | COVER, OS, RH, DECARB BU | 7 | EA | |
| 7 | 049551-013 | COVER, OS, RH, DECARB CB | 7 | EA | |
| 7 | 049551-051 | COVER, OS, RH CN | 7 | EA | |
| 7 | 049551-052 | COVER, OS, RH DJ | 7 | EA | |
| 7 | 049551-005 | COVER, OS, RH, DECARB GG | 7 | EA | |
| 7 | 049551-022 | COVER, OS, RH SG | 7 | EA | |
| 7 | 049551-012 | COVER, OS, RH VB | 7 | EA | |
| 7 | 049551-006 | COVER, OS, RH, DECARB WH | 7 | EA | |
| 7 | 049551-054 | COVER, OS, RH WS | 7 | EA | |
| 8 | 047732-000 | KICKPLATE, RNG | 8 | EA | |
| 8 | 049738-024 | KICKPLATE, RNG AR | 8 | EA | Not available online / Call for pricing and availability |

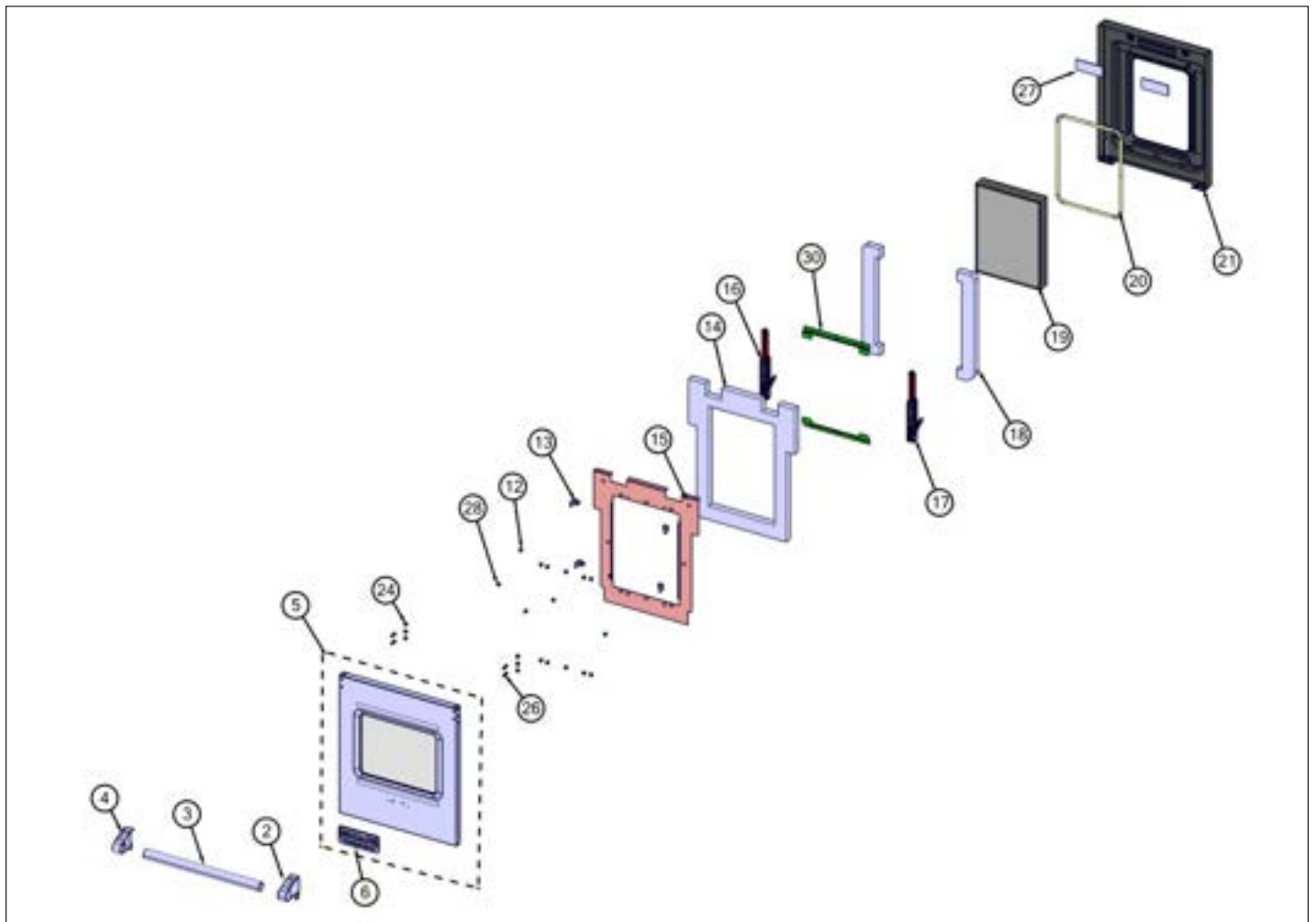


| Item | Part No. | Name | Qty | Uom | NOTES |
|------|------------|--|-----|-----|--|
| 8 | 049738-002 | KICKPLATE, RNG BK | 8 | EA | |
| 8 | 049738-008 | KICKPLATE, RNG BU | 8 | EA | |
| 8 | 049738-013 | KICKPLATE, RNG CB | 8 | EA | |
| 8 | 049738-051 | KICKPLATE, RNG CN | 8 | EA | Not available online / Call for pricing and availability |
| 8 | 049738-052 | KICKPLATE, RNG DJ | 8 | EA | Not available online / Call for pricing and availability |
| 8 | 049738-005 | KICKPLATE, RNG GG | 8 | EA | Not available online / Call for pricing and availability |
| 8 | 049738-022 | KICKPLATE, RNG SG | 8 | EA | Not available online / Call for pricing and availability |
| 8 | 049738-012 | KICKPLATE, RNG VB | 8 | EA | Not available online / Call for pricing and availability |
| 8 | 049738-006 | KICKPLATE, RNG WH | 8 | EA | Not available online / Call for pricing and availability |
| 8 | 049738-054 | KICKPLATE, RNG WS | 8 | EA | Not available online / Call for pricing and availability |
| 9 | 044178-000 | RANGE, LEG, ADJUSTABLE | 9 | EA | |
| 10 | 066226-402 | RACK SUPPORT, D3, ASM, RH, BK | 10 | EA | |
| 11 | 066227-402 | RACK SUPPORT, D3, ASM, LH, BK | 11 | EA | |
| 12 | 042253-000 | PAN, BROILER, PORCELAIN ASM | 12 | EA | |
| 13 | 006379-000 | OVEN,RACK,ASM,VDSC18" | 13 | EA | |
| 14 | 041046-000 | RACK, DF, PRO, 30" | 14 | EA | |
| 15 | 024102-000 | PULLOUT RACK, 30" | 15 | EA | |
| 16 | 003860-000 | 10-18 x .500 FASTNR,SCR,HXWH,STL,ZPLT | 16 | EA | |
| 17 | 003801-000 | SHOULDER SCREW, #10 | 17 | EA | |
| 18 | PD020032 | SRW-8(A)X3/8"PH.WFR HD 7/16DIA*NICL | 18 | EA | |



| Item | Part No. | Name | Qty | Uom | NOTES |
|------|------------|--|-----|-----|-------|
| 19 | 014143-000 | SCR 10-12 A SHLD TRP 1/2 S ZN BLUE | 19 | EA | |
| 20 | PD020232 | #8 X 3/4" PH PAN HEAD TEK SCREW (BLACK OXIDE) | | EA | |

CVDR7486GSS LH Door



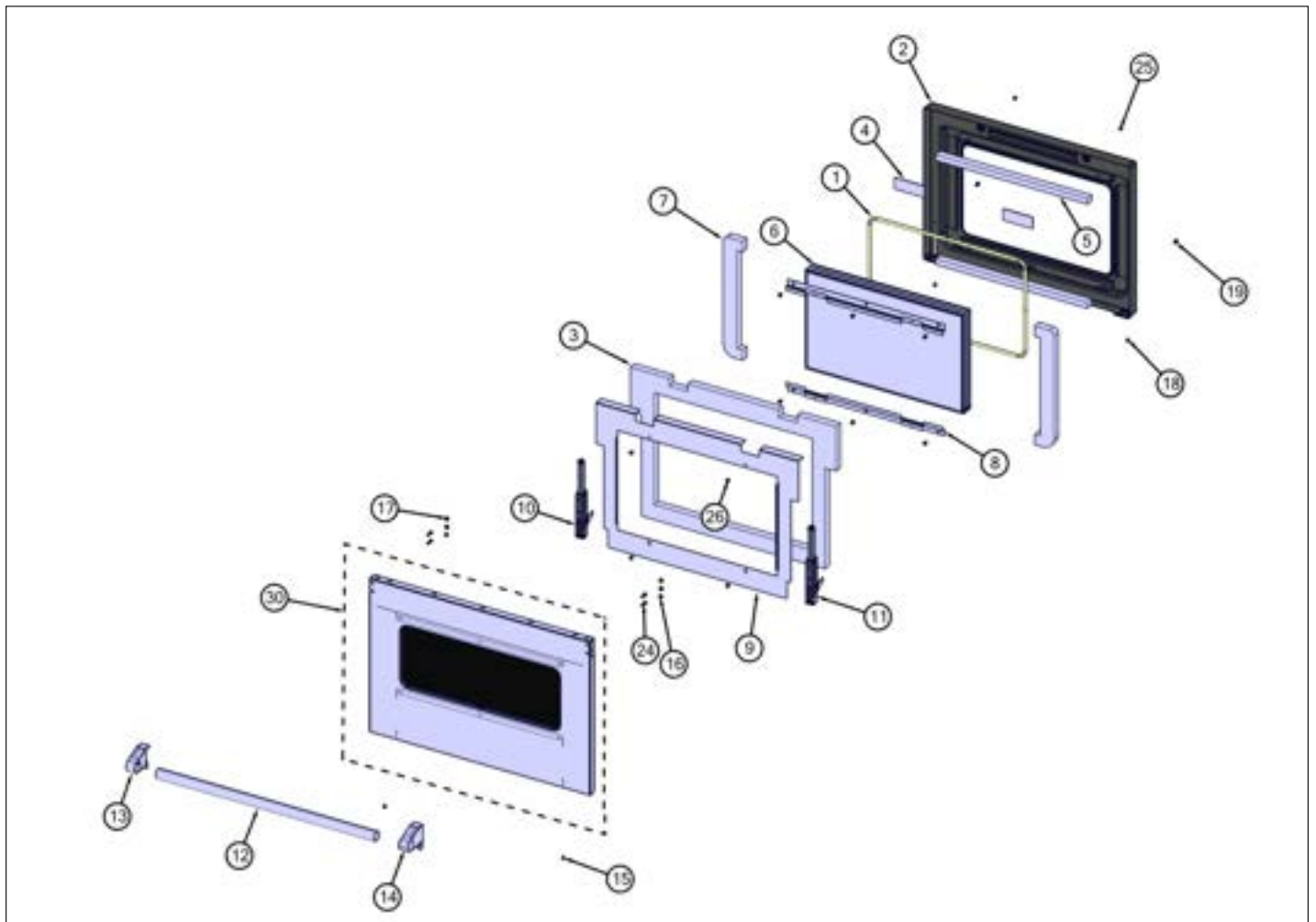


| Item | Part No. | Name | Qty | Uom | NOTES |
|------|------------|---|-----|-----|-------|
| 1 | 060334-000 | LOGO, CANADA, BRIGADE, 6" | 1 | EA | |
| 2 | 003012-000 | DOOR HANDLE ENDCAP ASSY, RH (CHROME) | 1 | EA | |
| 3 | 006221-000 | 18" DOOR HANDLE, SST | 1 | EA | |
| 4 | 003011-000 | DOOR HANDLE ENDCAP ASSY, LH (CHROME) | 1 | EA | |
| 5 | 066946-000 | DOOR, OS, KIT, SS 18" ASM, BRIGADE | 1 | EA | |
| 5 | 066949-002 | DOOR, OS, KIT, DECARB, 18" ASM BRIGADE BK | 1 | EA | |
| 5 | 066949-005 | DOOR, OS, KIT, DECARB, 18" ASM BRIGADE GG | 1 | EA | |
| 5 | 066949-006 | DOOR, OS, KIT, DECARB, 18" ASM BRIGADE WH | 1 | EA | |
| 5 | 066949-008 | DOOR, OS, KIT, DECARB, 18" ASM BRIGADE BU | 1 | EA | |
| 5 | 066949-013 | DOOR, OS, KIT, DECARB, 18" ASM BRIGADE CB | 1 | EA | |
| 5 | 066949-024 | DOOR, OS, KIT, DECARB, 18" ASM BRIGADE AR | 1 | EA | |
| 12 | 004526-000 | 10 x 1/2 PH, NPLT, TAPPING SCREW | 14 | EA | |
| 13 | 009426-000 | STANDOFF, BRACKET, DOOR, LINER, VDSC18" | 4 | EA | |
| 14 | 024494-000 | INSULATION, DOOR LINER, 18" | 1 | EA | |
| 15 | 006209-000 | DOOR LINER INSULATION RETAINER, 18" | 1 | EA | |
| 16 | 046549-000 | HINGE, NUOVA STAR, LH, RED | 1 | EA | |
| 17 | 046548-000 | HINGE, NUOVA STAR, RH, RED | 1 | EA | |
| 18 | 013558-000 | SIDE DOOR PLUG INSULATION | 2 | EA | |
| 19 | 005300-000 | GLASS, WINDOW PACK, 18" | 1 | EA | |
| 20 | 000594-000 | BLACK FIBERGLASS ROPE 3/8" | 1 | EA | |
| 21 | 049018-402 | LINER, DOOR, WLD, ASSY 158" BK | 1 | EA | |
| 24 | 004907-000 | STEEL FINISHING PLUG, NICKEL PLTD 25/64" HOLE | 4 | EA | |
| 26 | 030823-000 | #10-32 PAN HEAD PHILLIPS MACHINE SCREW | 4 | EA | |
| 27 | 013567-000 | DOOR BRACKET INSULATION | 2 | EA | |
| 28 | PD020063 | SCREW-#8(A) X 3/8"PH WFR HD/BK OXID | 2 | EA | |



| Item | Part No. | Name | Qty | Uom | NOTES |
|------|------------|------------------------------|-----|-----|-------|
| 30 | 004153-000 | DOOR GLASS HOLDER BRACKET | 2 | EA | |

CVDR7486GSS RH Door





| Item | Part No. | Name | Qty | Uom | NOTES |
|------|------------|--|-----|-----|-------|
| 1 | 000594-000 | BLACK FIBERGLASS ROPE 3/8" | 1 | EA | |
| 2 | 049013-402 | LINER, DOOR, WLD, ASSY 30" BK | 1 | EA | |
| 3 | 017752-000 | INSULATION, DOOR LINER | 1 | EA | |
| 4 | 013567-000 | DOOR BRACKET INSULATION | 2 | EA | |
| 5 | 013547-000 | BAKE ELEMENT INSULATION | 2 | EA | |
| 6 | PE060094 | 30" WINDOW PACK | 1 | EA | |
| 7 | 013558-000 | SIDE DOOR PLUG INSULATION | 2 | EA | |
| 8 | 004153-000 | DOOR GLASS HOLDER BRACKET | 1 | EA | |
| 9 | 004152-000 | DOOR LINER INSULATION RETAINER, 30" | 1 | EA | |
| 10 | 046547-000 | HINGE, NUOVA STAR, LH, WHITE | 1 | EA | |
| 11 | 046546-000 | HINGE, NUOVA STAR, RH, WHITE | 1 | EA | |
| 12 | 002728-000 | DOOR HANDLE - SS, 1.25" 29.5 | 1 | EA | |
| 13 | 003011-000 | DOOR HANDLE ENDCAP ASSY, LH (CHROME) | 1 | EA | |
| 14 | 003012-000 | DOOR HANDLE ENDCAP ASSY, RH (CHROME) | 1 | EA | |
| 15 | PD020032 | SRW-8(A)X3/8"PH.WFR HD 7/16DIA*NICL | | EA | |
| 16 | PD020073 | SRW #10 X 24 X 3/8 WAFER HD TYPE23 | 2 | EA | |
| 17 | 004907-000 | STEEL FINISHING PLUG, NICKEL PLTD 25/64" HOLE | 4 | EA | |
| 18 | PD020063 | SCREW-#8(A) X 3/8"PH WFR HD/BK OXID | | EA | |
| 19 | 046651-000 | SCREW, TRILOBE, 10-32, TRUSS, PH, BLACK | 2 | EA | |
| 24 | 030823-000 | #10-32 PAN HEAD PHILLIPS MACHINE SCREW | 1 | EA | |
| 25 | PD020063 | SCREW-#8(A) X 3/8"PH WFR HD/BK OXID | 1 | EA | |
| 26 | 004526-000 | 10 x 1/2 PH, NPLT, TAPPING SCREW | 1 | EA | |
| 30 | 049011-000 | DOOR, OS, KIT, 30" ASM | 1 | EA | |
| 30 | 066953-002 | DOOR, OS, KIT, DECARB, 30" ASM BK | 1 | EA | |



| Item | Part No. | Name | Qty | Uom | NOTES |
|------|------------|--------------------------------------|-----|-----|-------|
| 30 | 066953-005 | DOOR, OS, KIT, DECARB, 30" ASM GG | 1 | EA | |
| 30 | 066953-006 | DOOR, OS, KIT, DECARB, 30" ASM WH | 1 | EA | |
| 30 | 066953-008 | DOOR, OS, KIT, DECARB, 30" ASM BU | 1 | EA | |
| 30 | 066953-013 | DOOR, OS, KIT, DECARB, 30" ASM CB | 1 | EA | |
| 30 | 066953-024 | DOOR, OS, KIT, DECARB, 30" ASM AR | 1 | EA | |



Appendix A:Pages Index

CVDR7486GSS LH Door 9
CVDR7486GSS RH Door 10
CVDR7486GSS01 Base 1
CVDR7486GSS01 Control 7
CVDR7486GSS01 Decor 8
CVDR7486GSS01 Electrical-1 4
CVDR7486GSS01 Electrical-2 5
CVDR7486GSS01 Electrical-3 6
CVDR7486GSS01 Gas 3
CVDR7486GSS01 Surface 2



Appendix B:Parts Index

| | | | |
|------------|------------|------------|------------|
| 000594-000 | 9, 10 | 017701-000 | 1 |
| 002728-000 | 10 | 017752-000 | 10 |
| 002884-000 | 3 | 018608-000 | 4 |
| 003011-000 | 9, 10 | 023024-000 | 4 |
| 003012-000 | 9, 10 | 024102-000 | 8 |
| 003333-000 | 1 | 024221-000 | 1 |
| 003490-000 | 1 | 024234-000 | 1 |
| 003801-000 | 8 | 024494-000 | 9 |
| 003860-000 | 1, 2, 4, 8 | 027968-000 | 7 |
| 004152-000 | 10 | 028312-000 | 4 |
| 004153-000 | 9, 10 | 028324-000 | 4 |
| 004285-000 | 1 | 028325-200 | 2 |
| 004526-000 | 9, 10 | 030823-000 | 9, 10 |
| 004907-000 | 9, 10 | 032857-000 | 1 |
| 005300-000 | 9 | 033588-000 | 1 |
| 006166-000 | 4 | 035795-000 | 4 |
| 006176-000 | 1 | 036047-000 | 4 |
| 006209-000 | 9 | 037304-000 | 1, 1, 2, 4 |
| 006220-000 | 1 | 038417-000 | 4 |
| 006221-000 | 9 | 038655-000 | 5 |
| 006379-000 | 8 | 039293-000 | 4 |
| 006380-000 | 4 | 041046-000 | 8 |
| 006748-000 | 1 | 042253-000 | 8 |
| 007008-000 | 4 | 042375-000 | 8 |
| 007147-000 | 3 | 042402-000 | 4 |
| 008880-000 | 4 | 042410-000 | 2 |
| 008882-000 | 4 | 042545-000 | 2 |
| 008883-000 | 4 | 042558-000 | 7 |
| 009111-000 | 4 | 042771-000 | 7 |
| 009426-000 | 9 | 042797-000 | 8 |
| 009645-000 | 4 | 043135-000 | 4 |
| 013213-000 | 4 | 043453-000 | 4 |
| 013406-000 | 6 | 043675-000 | 3 |
| 013547-000 | 1, 10 | 043679-000 | 3 |
| 013558-000 | 9, 10 | 043680-000 | 3 |
| 013564-000 | 1 | 043763-000 | 1 |
| 013567-000 | 9, 10 | 043765-000 | 1 |
| 014143-000 | 1, 2, 8 | 043766-000 | 2 |
| 017697-000 | 1 | 043790-000 | 3 |
| 017699-000 | 1 | 043791-000 | 3 |
| | | 043800-000 | 1 |



| | | | |
|------------|------|------------|-------|
| 043851-000 | 2 | 046065-000 | 1 |
| 043861-000 | 2 | 046119-000 | 3 |
| 043864-000 | 1 | 046120-000 | 3 |
| 043866-000 | 1 | 046133-000 | 3 |
| 043907-000 | 1 | 046142-571 | 4 |
| 044044-000 | 1 | 046184-000 | 3 |
| 044178-000 | 8 | 046283-000 | 4 |
| 044195-000 | 4 | 046399-000 | 3 |
| 044310-000 | 3 | 046546-000 | 10 |
| 044321-000 | 3 | 046547-000 | 10 |
| 044322-000 | 3 | 046548-000 | 9 |
| 044323-000 | 3 | 046549-000 | 9 |
| 044325-000 | 3 | 046595-000 | 1 |
| 044512-000 | 7 | 046651-000 | 1, 10 |
| 044587-000 | 7 | 046854-000 | 2 |
| 044588-000 | 7 | 046873-000 | 2 |
| 044607-000 | 4 | 046964-000 | 3 |
| 044686-000 | 3 | 047055-000 | 1 |
| 044688-000 | 3 | 047069-000 | 2 |
| 044693-000 | 4 | 047730-000 | 8 |
| 044796-000 | 1 | 047732-000 | 8 |
| 044818-000 | 1 | 047798-000 | 1 |
| 044820-000 | 3 | 047806-000 | 1 |
| 044824-000 | 3 | 047812-000 | 1 |
| 044832-000 | 3 | 047813-000 | 1 |
| 044838-000 | 1 | 047814-000 | 8 |
| 044862-000 | 1 | 047816-000 | 2 |
| 044873-000 | 2 | 047823-000 | 8 |
| 044937-000 | 7 | 047826-000 | 1 |
| 045060-000 | 1 | 047827-000 | 1 |
| 045528-000 | 4 | 047831-000 | 1 |
| 045548-000 | 1, 2 | 047841-000 | 1 |
| 045550-000 | 1 | 048026-000 | 3 |
| 045594-000 | 4 | 048188-000 | 2 |
| 045725-000 | 7 | 048194-000 | 1 |
| 045840-000 | 2 | 048195-000 | 1 |
| 045843-000 | 2 | 048199-000 | 1 |
| 045888-000 | 2 | 048200-000 | 1 |
| 045932-000 | 4 | 048309-000 | 7 |
| 046020-000 | 5 | 048326-000 | 7 |
| 046021-000 | 5 | 048347-000 | 4 |



| | | | |
|-------------|----|------------|---|
| 048457-000 | 1 | 049552-008 | 8 |
| 048458-000 | 1 | 049552-012 | 8 |
| 048460-000 | 1 | 049552-013 | 8 |
| 048627-000 | 8 | 049552-022 | 8 |
| 048639-000 | 1 | 049552-024 | 8 |
| 048644-000 | 1 | 049552-051 | 8 |
| 048646-000 | 1 | 049552-052 | 8 |
| 048809-000 | 4 | 049552-054 | 8 |
| 048831-000 | 4 | 049728-000 | 2 |
| 048838-000 | 1 | 049738-002 | 8 |
| 048862-2668 | 7 | 049738-005 | 8 |
| 048961-000 | 2 | 049738-006 | 8 |
| 048962-000 | 1 | 049738-008 | 8 |
| 049011-000 | 10 | 049738-012 | 8 |
| 049013-402 | 10 | 049738-013 | 8 |
| 049018-402 | 9 | 049738-022 | 8 |
| 049047-000 | 5 | 049738-024 | 8 |
| 049053-402 | 2 | 049738-051 | 8 |
| 049310-642 | 5 | 049738-052 | 8 |
| 049430-000 | 4 | 049738-054 | 8 |
| 049431-000 | 6 | 049749-000 | 2 |
| 049432-000 | 4 | 049753-000 | 2 |
| 049433-000 | 4 | 049755-000 | 1 |
| 049463-000 | 4 | 049776-000 | 2 |
| 049484-000 | 1 | 049784-000 | 1 |
| 049485-000 | 1 | 049785-000 | 1 |
| 049534-000 | 2 | 049964-000 | 2 |
| 049551-002 | 8 | 050081-000 | 6 |
| 049551-005 | 8 | 050302-000 | 1 |
| 049551-006 | 8 | 050610-000 | 2 |
| 049551-008 | 8 | 051580-000 | 1 |
| 049551-012 | 8 | 051590-000 | 1 |
| 049551-013 | 8 | 051595-000 | 1 |
| 049551-022 | 8 | 052892-000 | 8 |
| 049551-024 | 8 | 053357-000 | 3 |
| 049551-051 | 8 | 054057-000 | 1 |
| 049551-052 | 8 | 056463-000 | 3 |
| 049551-054 | 8 | 057805-000 | 1 |
| 049552-002 | 8 | 057872-000 | 4 |
| 049552-005 | 8 | 058147-000 | 2 |
| 049552-006 | 8 | 060334-000 | 9 |



| | | | |
|------------|----|----------|-----------|
| 061224-000 | 3 | PB020116 | 3 |
| 061225-000 | 3 | PB020126 | 3 |
| 061226-000 | 3 | PB020127 | 3 |
| 061227-000 | 3 | PB020191 | 3 |
| 063295-000 | 3 | PB020198 | 3 |
| 066105-000 | 3 | PB020275 | 1 |
| 066169-000 | 3 | PB040050 | 3 |
| 066170-000 | 2 | PB040190 | 3 |
| 066171-000 | 3 | PB040192 | 3 |
| 066172-000 | 3 | PB040213 | 3 |
| 066226-402 | 8 | PC030007 | 1 |
| 066227-402 | 8 | PD010012 | 3 |
| 066808-000 | 4 | PD020006 | 4 |
| 066809-000 | 4 | PD020010 | 1 |
| 066839-000 | 2 | PD020032 | 7, 8, 10 |
| 066946-000 | 9 | PD020046 | 7 |
| 066949-002 | 9 | PD020063 | 9, 10, 10 |
| 066949-005 | 9 | PD020067 | 4 |
| 066949-006 | 9 | PD020068 | 2 |
| 066949-008 | 9 | PD020073 | 10 |
| 066949-013 | 9 | PD020232 | 8 |
| 066949-024 | 9 | PD020269 | 7 |
| 066953-002 | 10 | PD030172 | 4 |
| 066953-005 | 10 | PD040164 | 4 |
| 066953-006 | 10 | PE050206 | 4 |
| 066953-008 | 10 | PE060094 | 10 |
| 066953-013 | 10 | PE070147 | 4 |
| 066953-024 | 10 | PE070149 | 5 |
| 067030-000 | 3 | PE070739 | 6 |
| 067031-000 | 3 | PJ010047 | 4 |
| 068038-601 | 4 | PJ010048 | 4 |
| 068653-601 | 4 | PJ030033 | 4 |
| 076194-000 | 4 | PJ030035 | 4 |
| 079169-000 | 4 | PM010014 | 1 |
| A2002195 | 1 | | |
| A2009697 | 1 | | |
| E9109655 | 1 | | |
| G32014020 | 4 | | |
| M0104106 | 7 | | |
| M0211021 | 4 | | |
| PA020028 | 4 | | |