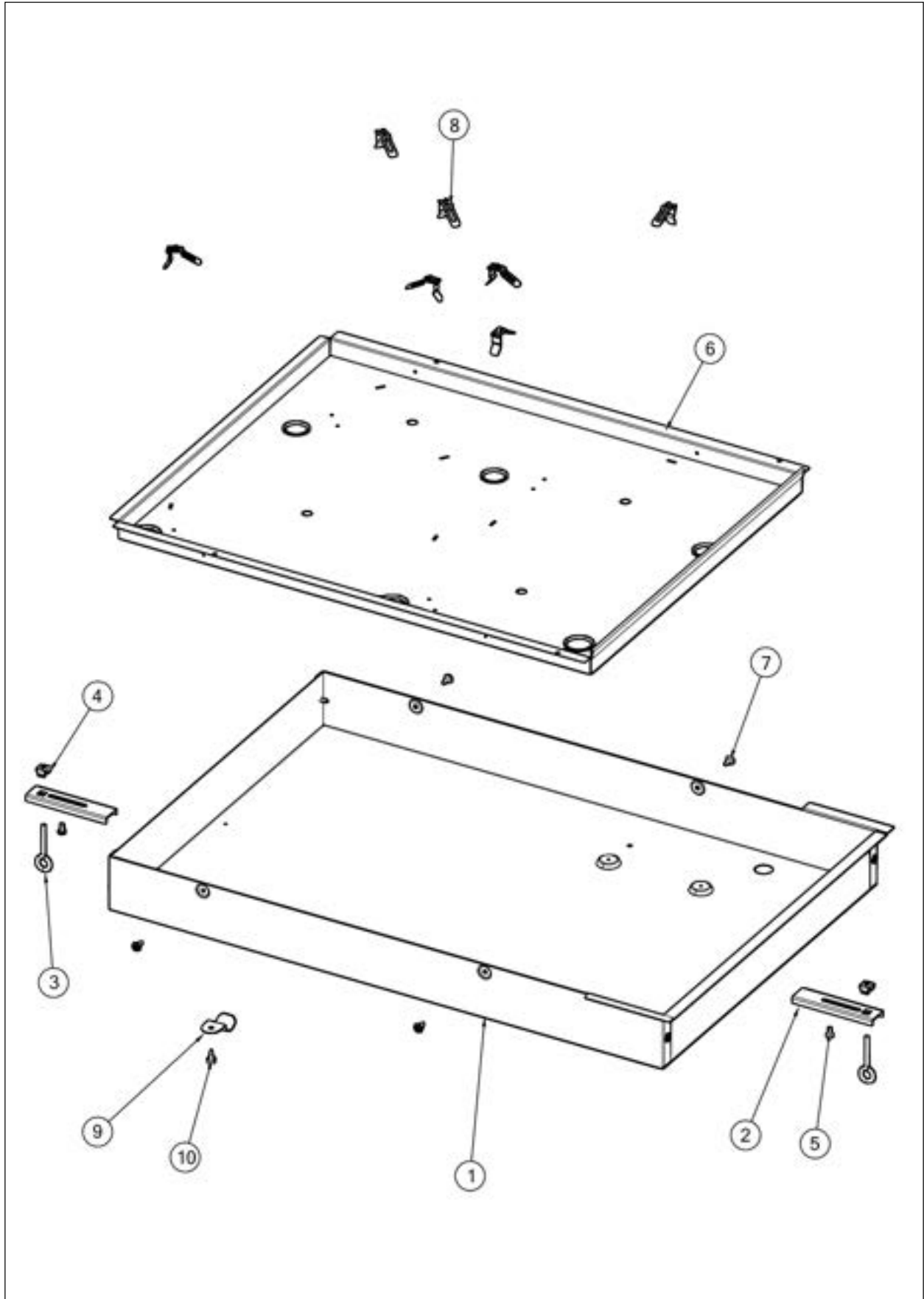


CVEC5304B

BASE	1
DECOR	2
ELECTRICAL	3
Appendix A:Pages Index	A
Appendix B:Parts Index	B

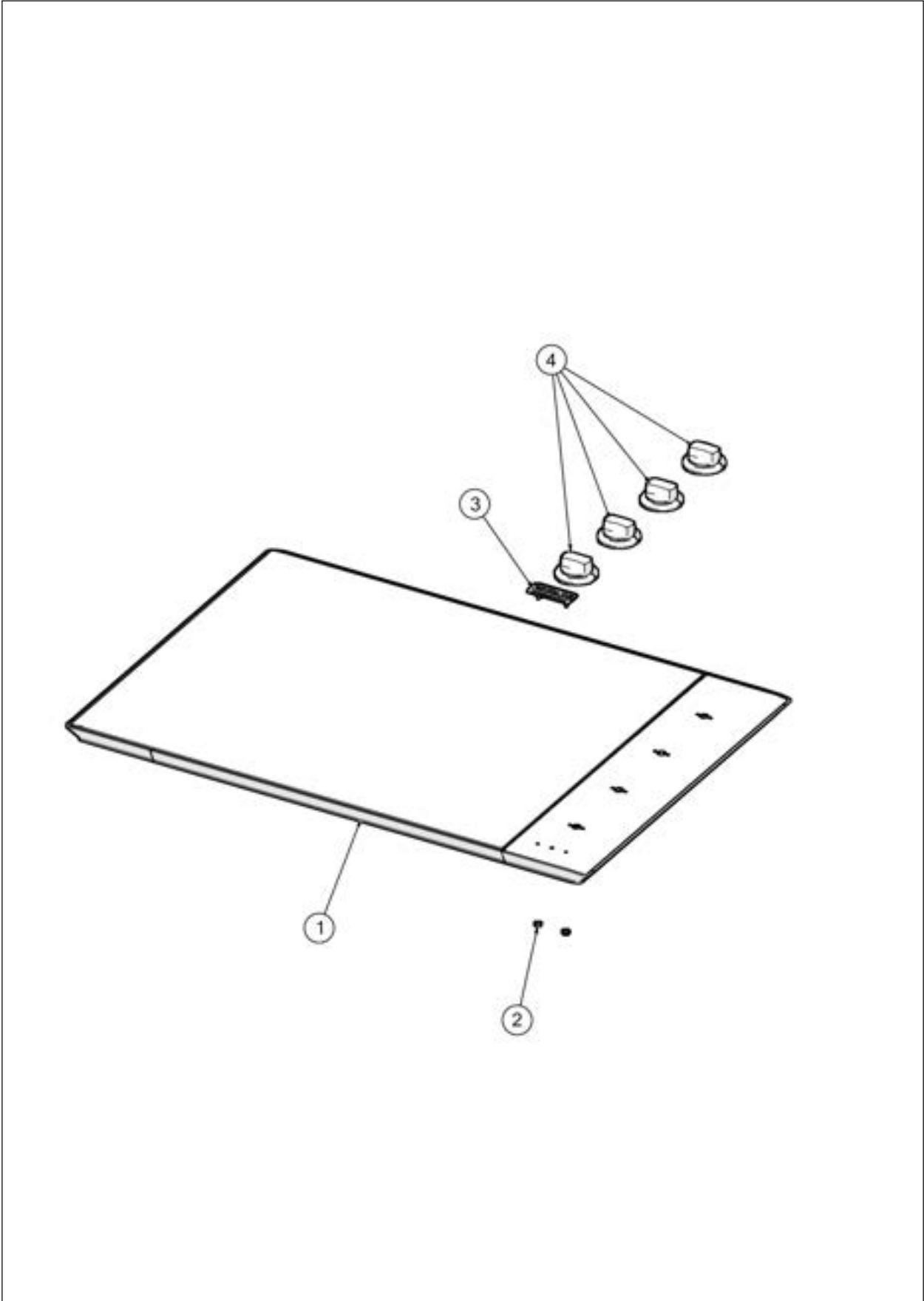
BASE





Item	Part No.	Name	Qty	Uom	NOTES
1	039976-000	BOX, BURNER, 30"	1	EA	
2	038618-000	BRACKET, HOLD	2	EA	
3	PD010027	EYE BOLT-VGSU101/161	2	EA	
4	PD030029	SELF RETAINING NUT (1/4-20)	2	EA	
5	PD020004	10X3/8PH.HD.TYPE 25 REPL PD040125	2	EA	
6	039970-000	BOX, ELEMENT, MTG, 30"	1	EA	
7	PD020046	' #8 X 1/2 SCREWS	4	EA	
8	026923-000	CLIP, SPRING, ELECTRIC ELEMENT	7	EA	
9	044546-000	CLAMP, CONDUIT	1	EA	
10	003860-000	10-18 x .500 FASTNR,SCR,HXWH,STL,ZPLT	1	EA	

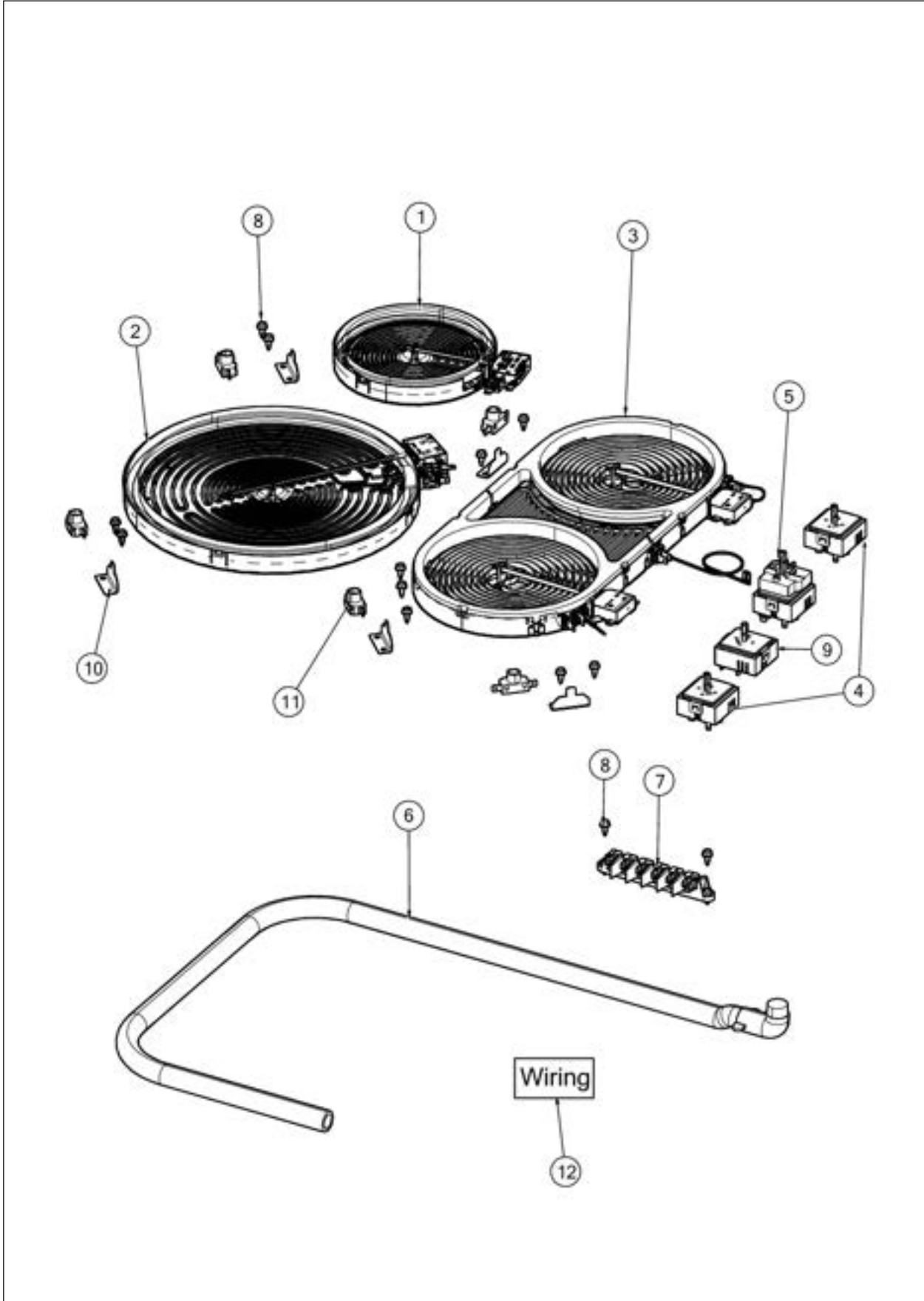
DECOR





Item	Part No.	Name	Qty	Uom	NOTES
1	066991-2744	TOP ASM, VECU5301 W/GRAPHICS	1	EA	
2	PD030006	CAPPED WASHER PAL NUT	2	EA	
3	040834-000	NAMEPLATE, BRIGADE, PRO, CAN, 2.5"	1	EA	
4	040186-000	ELEC, KNOB, ASM	4	EA	

ELECTRICAL





Item	Part No.	Name	Qty	Uom	NOTES
1	031377-000	SINGLE 1200W ELEMENT	1	EA	
2	031373-000	TRIPLE 3200W (1100/1000/1100) ELEMENT	1	EA	
3	043271-000	ELEMENT, BRIDGE	1	EA	
4	031728-000	SINGLE INFINITE SWITCH	2	EA	
5	031734-000	TRIPLE INFINITE SWITCH	1	EA	
6	036549-000	CONDUIT, D3 45" COOKTOP	1	EA	
7	054135-000	BLOCK, TERMINAL, 6-POLE (Heyco # 9454)	1	EA	
8	003860-000	10-18 x .500 FASTNR,SCR,HXWH,STL,ZPLT	12	EA	
9	031733-000	DUAL INFINITE SWITCH	1	EA	
10	041593-000	BRKT, LIGHT, IND	5	EA	
11	PE050077	INDICATOR LIGHT	5	EA	
12	043157-000	WIRE HARNESS, ELEC, COOKTOP, 30", 5 SERIES	1	EA	



Appendix A:Pages Index

BASE	1
DECOR	2
ELECTRICAL	3



Appendix B:Parts Index

003860-000	1, 3
026923-000	1
031373-000	3
031377-000	3
031728-000	3
031733-000	3
031734-000	3
036549-000	3
038618-000	1
039970-000	1
039976-000	1
040186-000	2
040834-000	2
041593-000	3
043157-000	3
043271-000	3
044546-000	1
054135-000	3
066991-2744	2
PD010027	1
PD020004	1
PD020046	1
PD030006	2
PD030029	1
PE050077	3