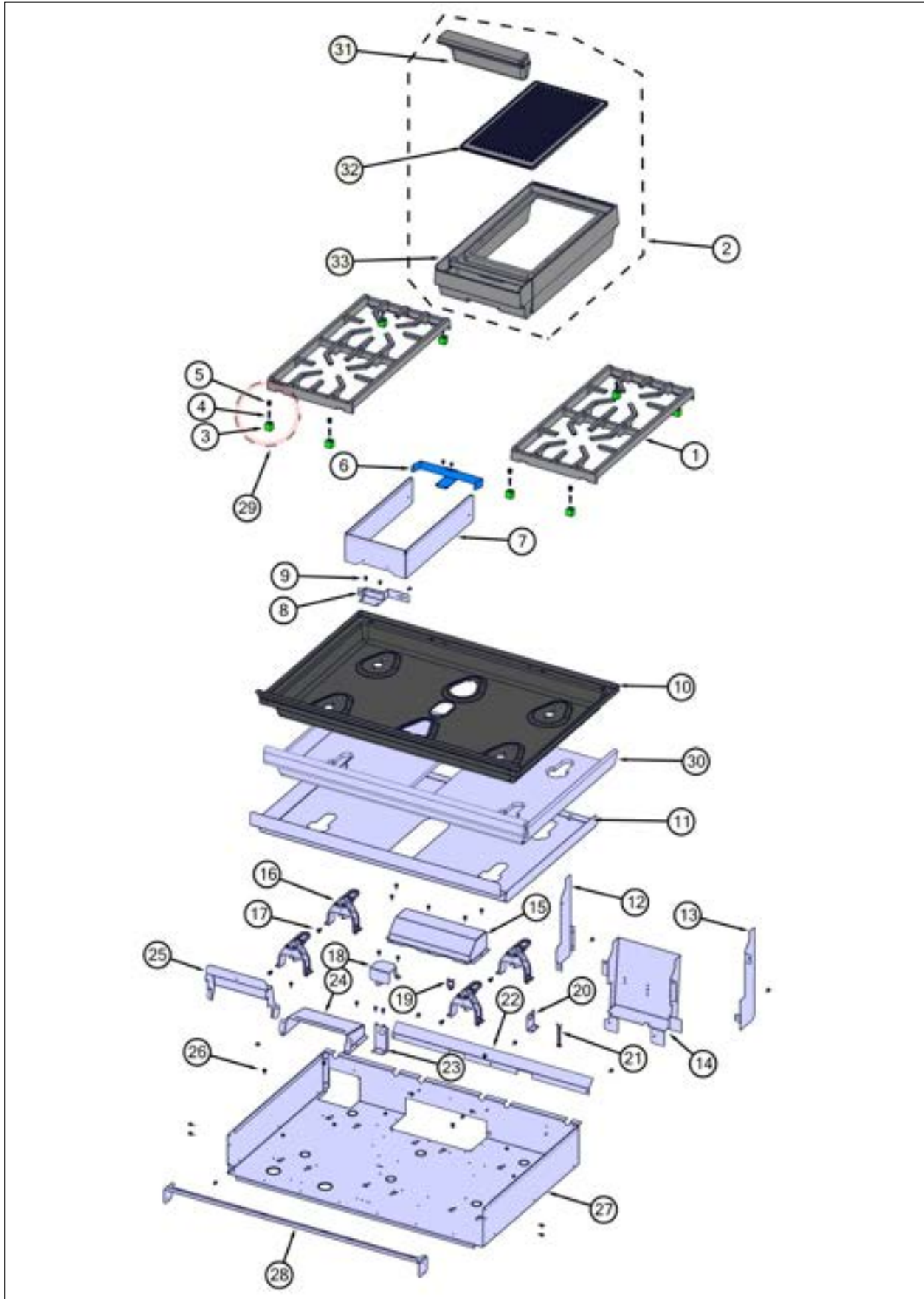


**CVGR73624GSS**

Surface Cooking View .....	1
Harness View .....	2
Gas Asm View .....	3
Electrical View .....	4
Control View .....	5
Decor View .....	6
Base View .....	7
Appendix A:Pages Index .....	A
Appendix B:Parts Index .....	B

## Surface Cooking View



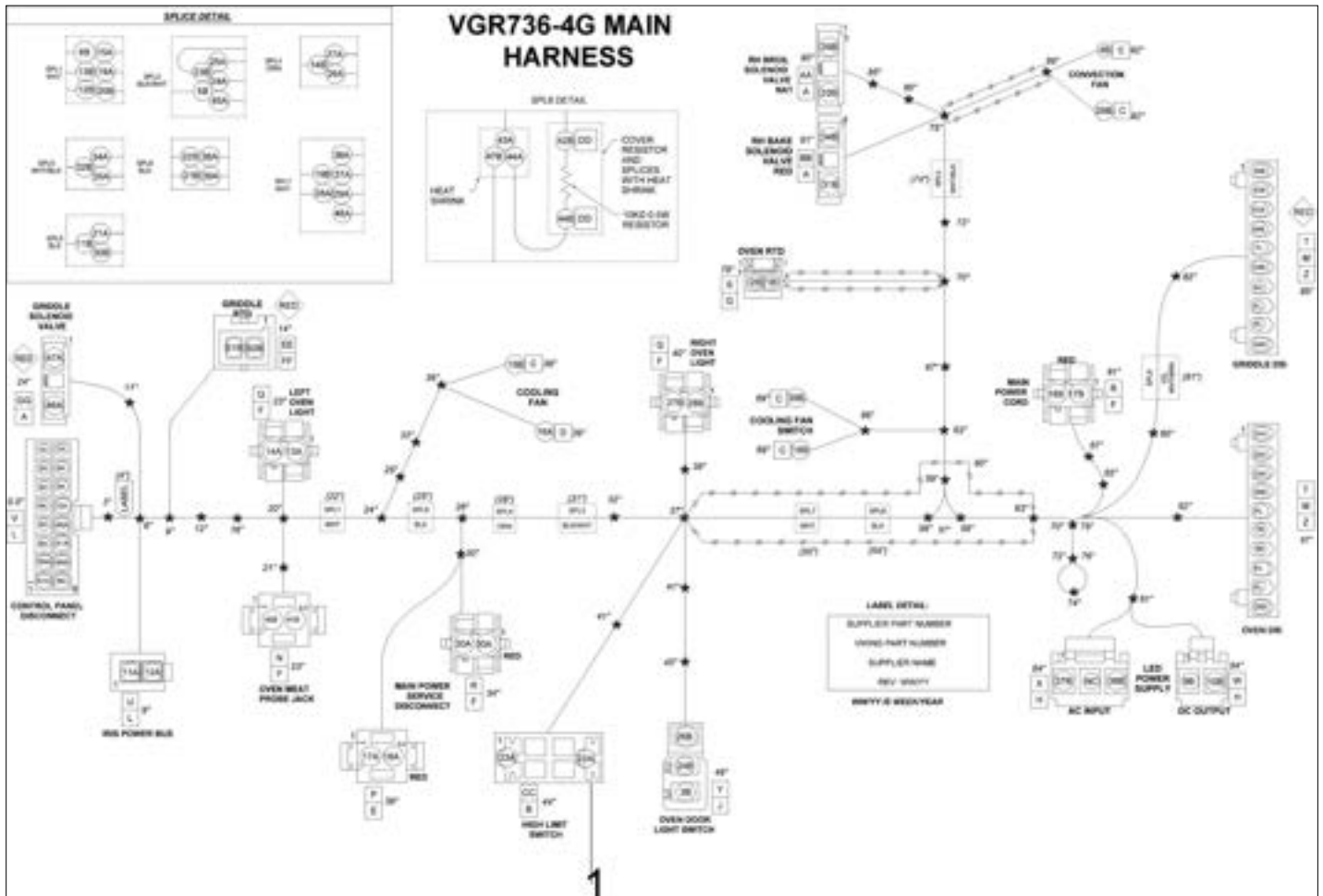


Item	Part No.	Name	Qty	Uom	NOTES
1	042545-000	GRATE, CAST, 12"	2	EA	
2	066471-000	ASM, GRIDDLE	1	EA	
3	052259-000	SUPPORT, GRATE	8	EA	
4	049534-000	SCREW, 8-32 X 3/4, PHIL, FLAT	8	EA	
5	052260-000	SILENCER, GRATE	8	EA	
6	052295-000	HOLDER, BNR, REAR	1	EA	
7	046854-000	SHIELD, HEAT	1	EA	
8	045843-000	BRKT, BURNER, SPT	1	EA	
9	037304-000	FASTENER, PNH, TORX, AB, PSVD, WAX	4	EA	
10	049039-402	PAN, BNR, SHIM, ASM, BLK, 36" GRIDDLE	1	EA	
11	049750-000	TRAY, INSULATION, BURNER PAN, GRIDDLE, 36"	1	EA	
12	042741-000	DIVERTER, BRKT, RH	1	EA	
13	042742-000	DIVERTER, BRKT, LH	1	EA	
14	042785-000	COVER, BLO	1	EA	
15	042350-000	COVER, FAN	1	EA	
16	066170-000	SUPPORT, HLDR, JET	4	EA	
17	PD020068	' #10 - 32 X 1/2"TRUSS. PHIL. M.*SS*	4	EA	
18	048188-000	BRACKET, TEE, PIPE	1	EA	
19	045548-000	CLIP, ROUTING, WIRE	6	EA	
20	033668-000	BRACKET, DISCONNECT	1	EA	
21	048961-000	STANDOFF, TWIST LOCK, TALL	9	EA	
22	031313-000	DIVERTER, AIR 36	1	EA	
23	045888-000	BRKT, GRDL	1	EA	
24	049753-000	SHIELD, HEAT, HARNESS, BTM	1	EA	
25	049964-000	SHIELD, HEAT, HARNESS, TOP	1	EA	
26	014143-000	SCR 10-12 A SHLD TRP 1/2 S ZN BLUE	2	EA	
27	066475-000	BOX, BNR, VGR7362	1	EA	
28	049744-000	BRACKET, MTG, 36" CONTROL PANEL	1	EA	
29	058147-000	GRATE, LEG, ASSY, PHASE 2 (BLK)	8	EA	



Item	Part No.	Name	Qty	Uom	NOTES
Comments for Part Num. 058147-000					
gboltz@VikingRange.com on Jun 6, 2016					
See parts bulletin 2016-03P Grate support changes					
30	049777-000	INSULATION, LINER, GRIDDLE, BURNER PAN, 36"	1	EA	
31	066839-000	TROUGH, GRS, GRIDDLE, ASM	1	EA	
32	054388-000	PLATE, REVERSIBLE, NON-STICK, GRILL, GRIDDLE	1	EA	
33	047069-000	BASE, SUMP, GRIDDLE, ASM.	1	EA	

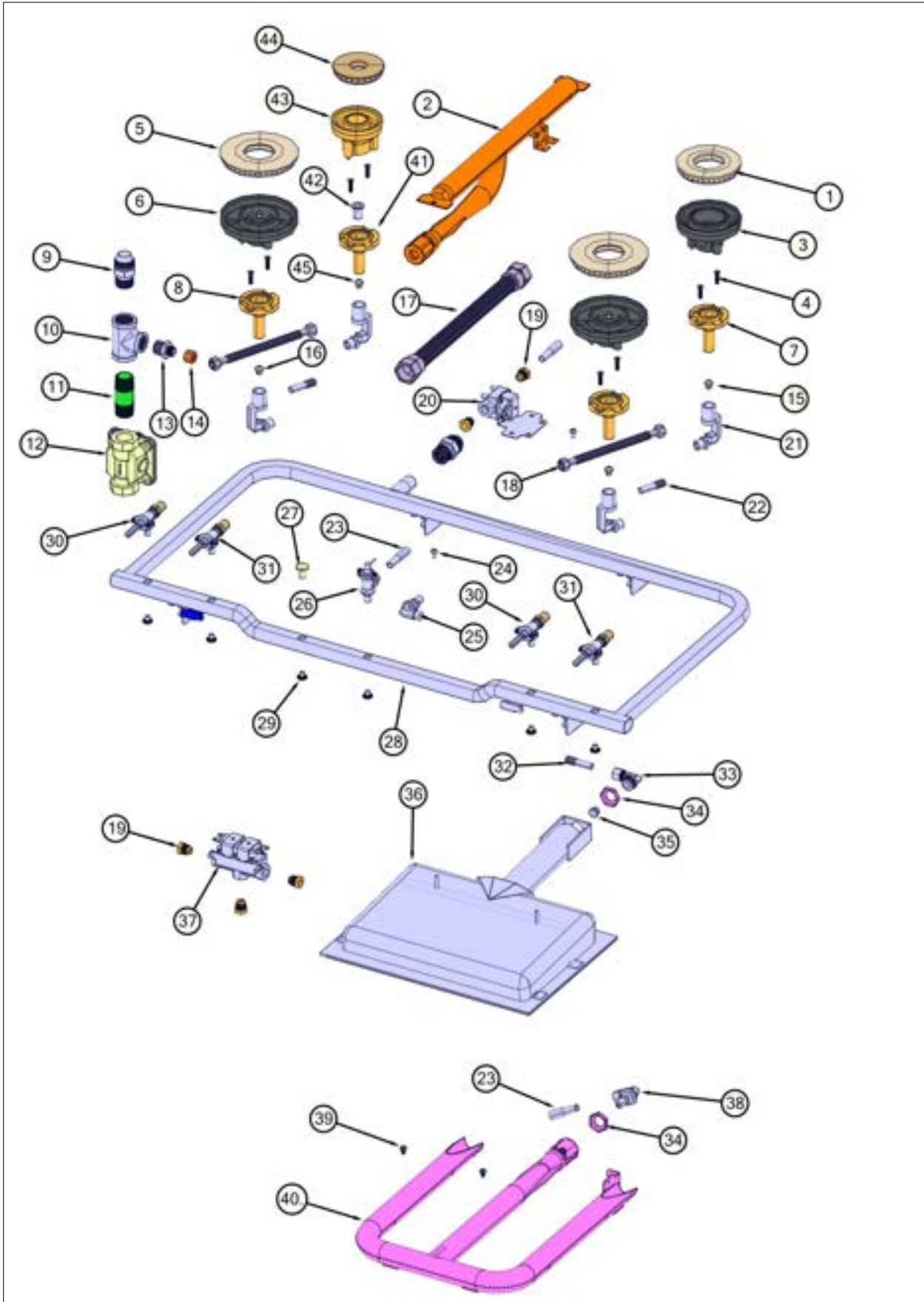
Harness View





Item	Part No.	Name	Qty	Uom	NOTES
1	051956-000	HARN, VGR7364G, MAIN	1	EA	

## Gas Asm View





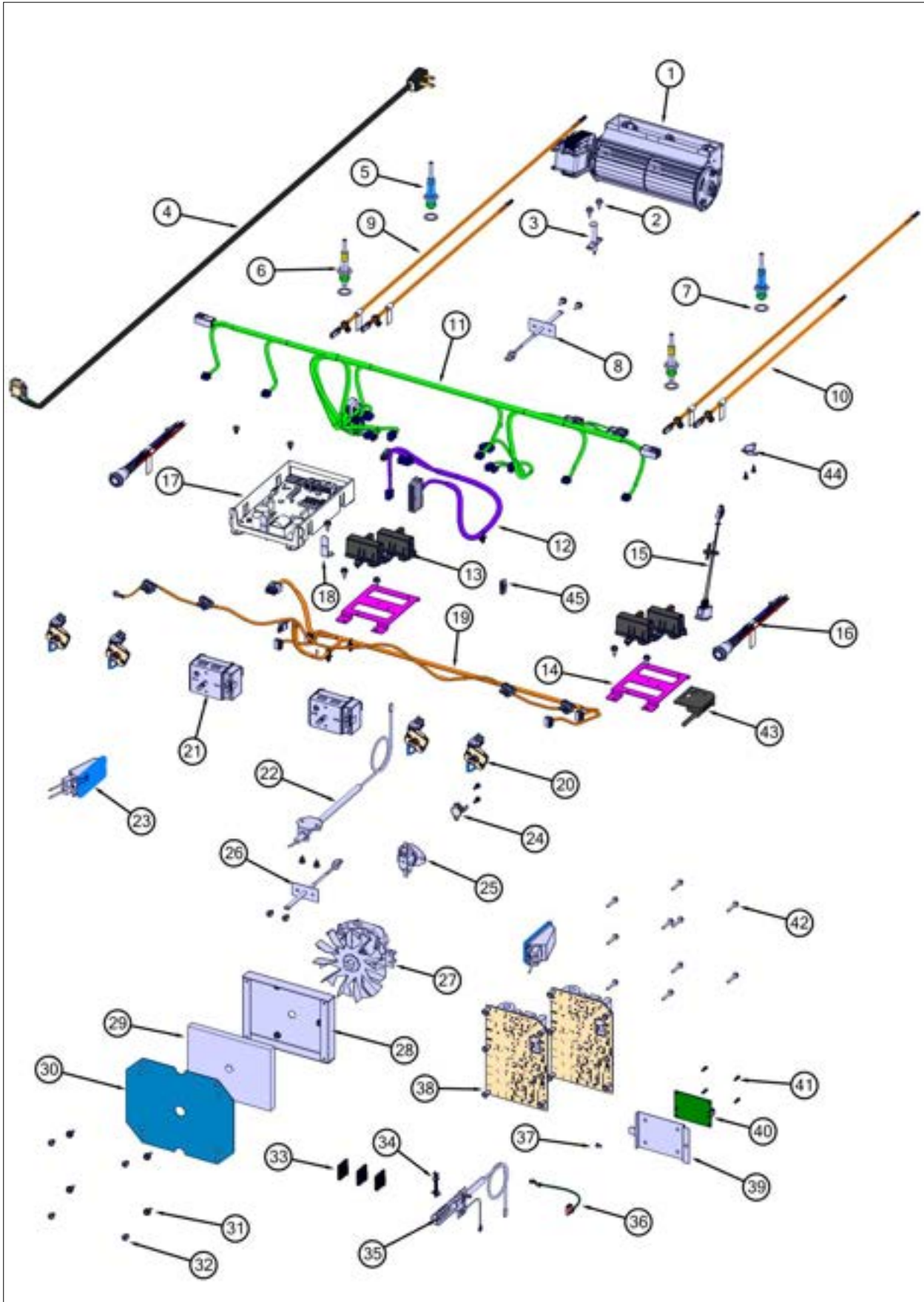


Item	Part No.	Name	Qty	Uom	NOTES
1	066169-000	BURNER, HEAD, D	2	EA	
2	046133-000	BURNER, GRIDDLE, 700-SERIES	1	EA	
3	066105-000	BASE, BNR, D	2	EA	
4	046964-000	SCREW, 10-32 X 3/4", CTSK, BLACK	8	EA	
5	066172-000	BURNER, HEAD, E	2	EA	
6	053357-000	BASE, BNR, E-SIZE	2	EA	
7	066171-000	VENTURI, D NAT, D LP, FLANGE, BNR	1	EA	
8	067030-000	VENTURI, E NAT, FLANGE, BNR	2	EA	
9	044321-000	FITTING, ADAPTOR, 3/4" FLEX TUBING	2	EA	
10	044638-000	TEE, PIPE, 3/4" NPTF TO 1/2" NPTM	1	EA	
11	044637-000	NIPPLE, PIPE, 2-1/2", 3/4" NPTM TO 3/4" NPTM	1	EA	
12	046119-000	PRESSURE REGULATOR (NAT)	1	EA	
13	044691-000	ADAPTOR, COMPRESSION, 1/2" NPTF TO 3/8" TUBE O.D.	1	EA	
14	PB040213	3/8" COMPRESSION NUT (DGCU)	3	EA	
15	046184-000	ORIFICE, BNR, STD, 1.70MM	1	EA	
16	043675-000	ORIFICE, BNR, STD, 2.18MM	2	EA	
17	044310-000	TUBING, 3/4" FLEX, SST, 13"	1	EA	
18	PB020198	20" FLEX TUBING	2	EA	
19	PB040050	3/8CC MALE COMP. FITTING W/FERRULE	5	EA	
20	009111-000	VALVE, SOL, SINGLE	1	EA	
21	063295-000	HOLDER, JET, BURNER	4	EA	
22	PB020191	15" FLEX TUBE	2	EA	
23	PB020126	3/8" S.S. FLEX TUBING 15" (DGCU)	3	EA	
24	PD020004	10X3/8PH.HD.TYPE 25 REPL PD040125	4	EA	
25	PB040190	90 DEGREE ORIFICE FITTING #50 NAT	1	EA	
26	007147-000	SHUT OFF VALVE	1	EA	



Item	Part No.	Name	Qty	Uom	NOTES
27	002884-000	MANIFOLD PLUG	1	EA	
28	056427-000	MANIFOLD, GRIDDLE, GAS, 36", ASM	1	EA	
29	PD010012	VALVE BOLT 1/4-20 UNC-2B 5/16" M.S.	6	EA	
30	061225-000	VALVE, GAS, C & D-BNR, NAT	2	EA	
31	061224-000	VALVE, GAS, E-BNR, NAT	2	EA	
32	PB020127	3/8" S.S. FLEX TUBING 20" (DGCU)	1	EA	
33	PB040178	90 DEGREE ORIFICE FITTING (VGSC306)	1	EA	
34	PD030018	PALNUT - 3/4-16	2	EA	
35	pb040026	IR BURNER ORIFICE - #48 NAT.	1	EA	
36	g3001876	IR BURNER ASSY (VGSC/RC) N/S	1	EA	
37	009112-000	VALVE, SOL, DOUBLE	1	EA	
38	048031-000	90 DEG ORIFICE FITTING, #39 DRILL	1	EA	
39	037304-000	FASTENER, PNH, TORX, AB, PSVD, WAX	2	EA	
40	043276-000	BURNER, BAKE, ASM, 36"	1	EA	
41	044686-000	VENTURI, C NAT, C LP, FLANGE, BNR	1	EA	
42	051541-000	C VENTURI INSERT	1	EA	
43	066177-000	BURNER, BASE, C-SIZE	1	EA	
44	056256-000	BURNER, HEAD, BRS, C-SIZE	1	EA	
45	044688-000	ORIFICE, BNR, STD, 1.22MM	1	EA	

Electrical View



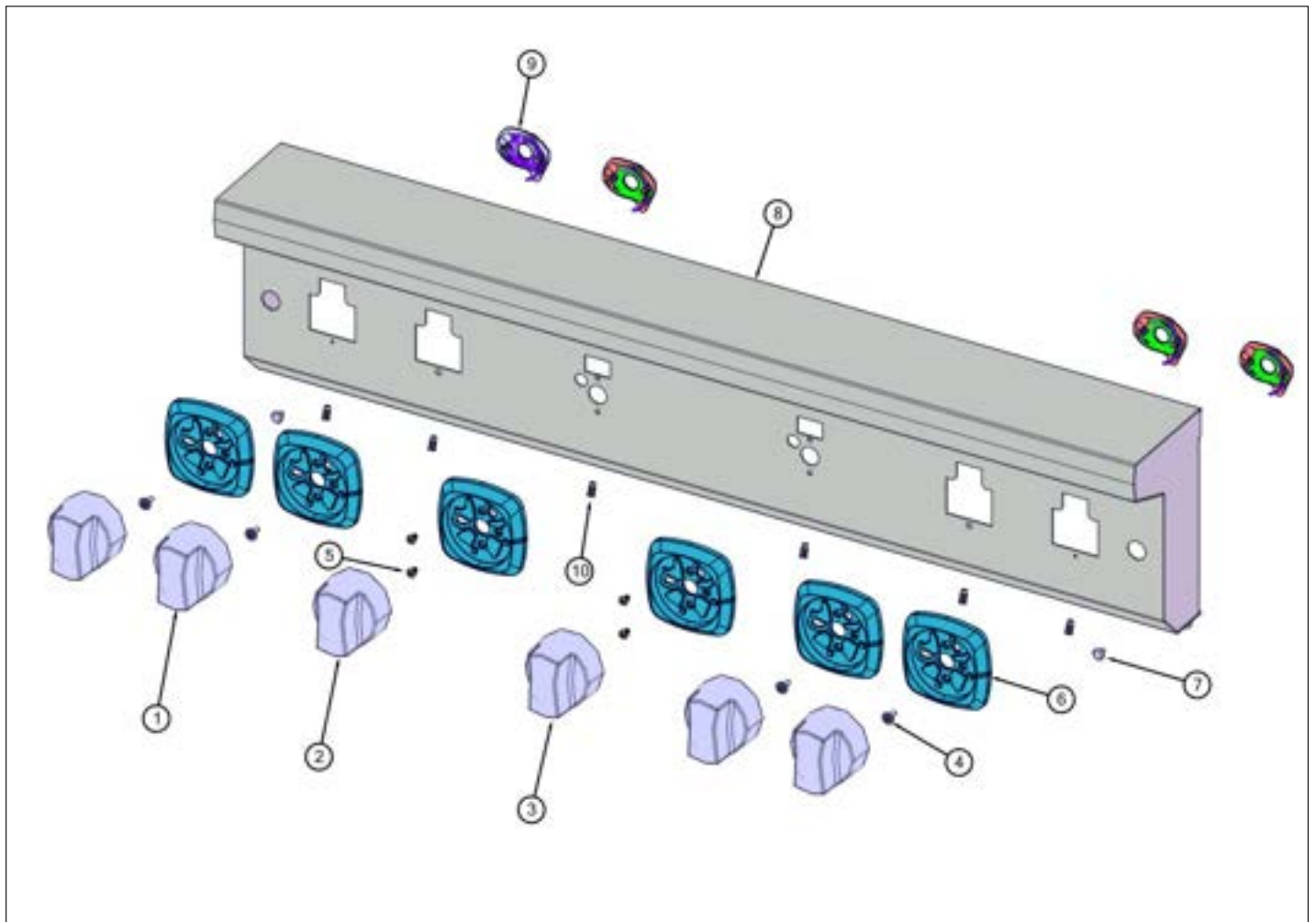


Item	Part No.	Name	Qty	Uom	NOTES
1	019959-000	FAN,COOLING,DUAL,120VX180 (51343)	1	EA	
2	003860-000	10-18 x .500 FASTNR,SCR,HXWH,STL,ZPLT	4	EA	
3	PA020028	SPARK IGNITER	1	EA	
4	044747-000	CORD, SUPPLY, CORD	1	EA	
5	066808-000	ELECTRODE , ASM, D	2	EA	
6	066809-000	ELECTRODE, ASM E	2	EA	
7	045932-000	WASHER, ELECTRODE	4	EA	
8	007008-000	RTD PROBE	1	EA	
9	058659-604	HARN, VGR5, ELEC, BURN, REAR	2	EA	
10	058659-603	HARN, VGR5, ELEC, BURN, FRNT	2	EA	
11	061075-000	HARN, VGR7364G, CP	1	EA	
12	063263-000	GARN, 7 SERIES, ULC	1	EA	
13	062214-000	EGRID, REMOTE MOUNT, 120VAC	4	EA	
14	064543-000	BKT, MNTG, IRIS, VDR7/VGR7	2	EA	
15	046283-000	SWITCH, LIGHTS, ACCENT W/CONN	1	EA	
16	044195-000	SWITCH, PB-LT, 5WIRE, ASSY	2	EA	
17	062885-501	CNTRL, MODULE, ULC	1	EA	
18	064541-000	BKT, MNTG, FR, ULC, VDR7/VGR7	2	EA	
19	061252-000	HARN, 364G, EGRID	1	EA	
20	061211-000	SWITCH, VALVE, SPST, 2 PIN CON	4	EA	
21	065702-579	TSTAT, SMPS, ELEC, 2-POS	2	EA	
22	043615-000	ASSEMBLY, ELECTRODE	1	EA	
23	068653-601	LIGHT, 120V/25W, G9, HALOGEN, SIDE	2	EA	
24	048014-000	SWITCH, LIM, HIGH, 90 DEG C	1	EA	
25	030813-000	SWITCH, TSTAT, SPDT	1	EA	
26	PE050206	RTD THERMOSTAT PROBE	1	EA	
27	066367-000	MOTOR, CONV, 120V	1	EA	
28	031735-000	BOX, INSUL., FAN	1	EA	



Item	Part No.	Name	Qty	Uom	NOTES
29	PB070208	CONVECTION FAN INSULATION	1	EA	
30	021199-000	COVER, BOX, INSULATION	1	EA	
31	003860-000	10-18 x .500 FASTNR,SCR,HXWH,STL,ZPLT	10	EA	
32	037304-000	FASTENER, PNH, TORX, AB, PSVD, WAX	14	EA	
33	049878-000	CORD, CLIP, ADHESIVE	3	EA	
34	045528-000	STANDOFF, LOCKING CLIP	4	EA	
35	043657-000	ELECTRODE W/LEAD, BAKE, ASSY	1	EA	
36	043994-000	WIRE, GROUND, 5"	2	EA	
37	PD020006	' #6-32 X 1/4" PH.PAN HD. T(F)	2	EA	
38	043453-000	MODULE, DSI	2	EA	
39	045773-000	SHELF, SUPPLY, POWER	1	EA	
40	063636-000	PCB, POWER, TERMINATION (NON-SERVICEABLE)	1	EA	
41	045594-000	SCREW, SHCS, NO.4-40 X 3/8, SS	4	EA	
42	M0211021	SCREW-SM	10	EA	
43	048347-000	SWITCH, SPDT, DOOR, STRAIGHT TABS	1	EA	
44	PJ030022	BI-METAL THERMOSTAT, 115 DEGREES (FAN SWITCH)	1	EA	
45	038655-000	GRIDDLE,JUMPER,BRIGADE	1	EA	

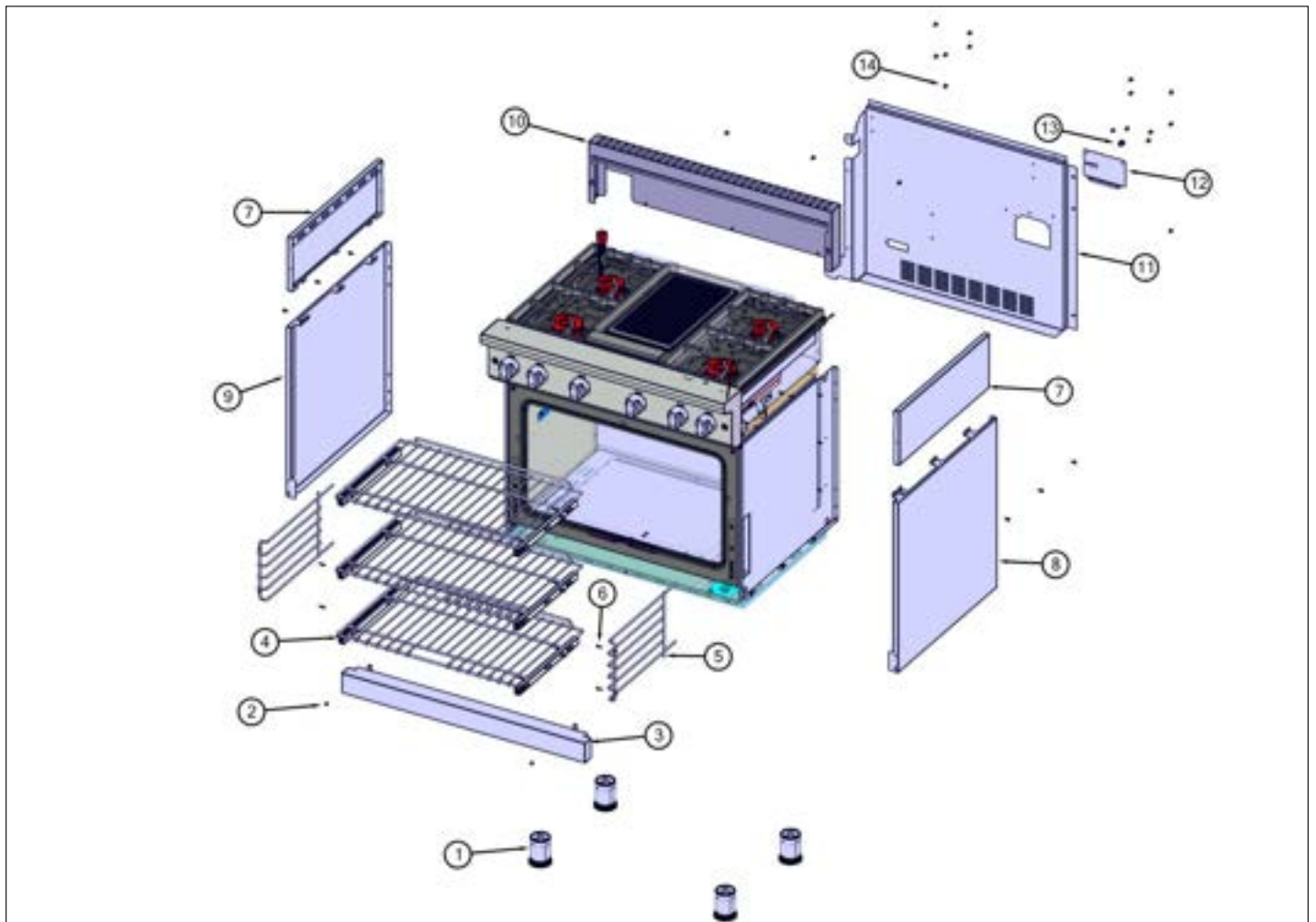
Control View





Item	Part No.	Name	Qty	Uom	NOTES
1	061041-000	KNOB, BURNER, ASSY (SEE 042558-000)	4	EA	
2	067118-2544	KNOB, THERMOSTAT, OVEN, A/G, W-Graphics	1	EA	
3	067119-2617	KNOB, THERMOSTAT, GRIDDLE, ASSY W/GRAPHICS (SEE 067117-000)	1	EA	
4	PD020046	' #8 X 1/2 SCREWS	4	EA	
5	PD020269	#8 PAN HEAD SCREW	4	EA	
6	061090-501	BEZEL, ASSY, LED, SQUARE, LARGE	6	EA	
<p>Comments for Part Num. 061090-501</p> <p>profixappliances@gmail.com on Feb 27, 2020</p> <p>SEE SERVICE BULLETIN TC-0126-SP REGARDING NEW BEZELS</p>					
7	PD020032	SRW-8(A)X3/8"PH.WFR HD 7/16DIA*NICL	2	EA	
8	064398-2845	ASM, PANEL, CTRL, VGR73624G, W/GRAPHICS	1	EA	
9	063640-000	ADAPTER, BEZEL, LED	4	EA	
10	044937-000	LENS, COVER, LED, CLEAR	6	EA	

Decor View







Item	Part No.	Name	Qty	Uom	NOTES
1	044178-000	RANGE, LEG, ADJUSTABLE	4	EA	
2	PD020032	SRW-8(A)X3/8"PH.WFR HD 7/16DIA*NICL	2	EA	
3	042287-000	KICKPLATE, GAS & DUAL FUEL, 36"	1	EA	
3	042323-002	KICKPLATE, GAS & DUAL FUEL, 36" BK	1	EA	
3	042323-005	KICKPLATE, GAS & DUAL FUEL, 36" GG	1	EA	
3	042323-006	KICKPLATE, GAS & DUAL FUEL, 36" WH	1	EA	
3	042323-008	KICKPLATE, GAS & DUAL FUEL, 36" BU	1	EA	
3	042323-013	KICKPLATE, GAS & DUAL FUEL, 36" CB	1	EA	
3	042323-024	KICKPLATE, GAS & DUAL FUEL, 36" AR	1	EA	
3	042323-2801	KICKPLATE, GAS & DUAL FUEL, 36" Kalamata Red (KA)	1	EA	
3	042323-2847	KICKPLATE, GAS & DUAL FUEL, 36" Blackforest Green (BF)	1	EA	
3	042323-6180	KICKPLATE, GAS & DUAL FUEL, 36" Cypress Green (CY)	1	EA	
3	042323-6258	KICKPLATE, GAS & DUAL FUEL, 36" Cast Black (CS)	1	EA	
3	042323-6421	KICKPLATE, GAS & DUAL FUEL, 36" Vanilla Cream (VC)	1	EA	
3	042323-6765	KICKPLATE, GAS & DUAL FUEL, 36" Bywater Blue (BW)	1	EA	
3	042323-6797	KICKPLATE, GAS & DUAL FUEL, 36" Alluvial Blue (AB)	1	EA	
3	042323-6871	KICKPLATE, GAS & DUAL FUEL, 36" San Marzano Red (SM)	1	EA	
3	042323-7024	KICKPLATE, GAS & DUAL FUEL, 36" Pacific Grey (PG)	1	EA	
3	042323-7070	KICKPLATE, GAS & DUAL FUEL, 36" Frost White (FW)	1	EA	
3	042323-7585	KICKPLATE, GAS & DUAL FUEL, 36" Reduction Red (RE)	1	EA	
3	042323-7652	KICKPLATE, GAS & DUAL FUEL, 36"Artic Grey (AG)	1	EA	
3	042323-7674	KICKPLATE, GAS & DUAL FUEL, 36" Damascus Grey (DG)	1	EA	



Item	Part No.	Name	Qty	Uom	NOTES
3	042323-9178	KICKPLATE, GAS & DUAL FUEL, 36" Slate Blue (SB)	1	EA	
4	057686-000	RACK, GLDE, 36", PRO ASSY	3	EA	
5	066225-402	GUIDE, RACK, RH- BK	2	EA	
6	pd020232	#8 X 3/4" PH PAN HEAD TEK SCREW (BLACK OXIDE)	4	EA	
7	052427-000	COVER, OS, RH/LH UPPER	2	EA	
8	042375-000	COVER, OS, RH	1	EA	
8	049551-002	COVER, OS, RH, DECARB BK	1	EA	
8	049551-005	COVER, OS, RH, DECARB GG	1	EA	
8	049551-006	COVER, OS, RH, DECARB WH	1	EA	
8	049551-008	COVER, OS, RH, DECARB BU	1	EA	
8	049551-013	COVER, OS, RH, DECARB CB	1	EA	
8	049551-024	COVER, OS, RH, DECARB AR	1	EA	
8	049551-2801	OS Right Hand Cover - Kalamata Red (KA)	1	EA	
8	049551-2847	OS Right Hand Cover - Blackforest Green (BF)	1	EA	
8	049551-6180	OS Right Hand Cover - Cypress Green (CY)	1	EA	
8	049551-6258	OS Right Hand Cover - Cast Black (CS)	1	EA	
8	049551-6421	OS Right Hand Cover - Vanilla Cream (VC)	1	EA	
8	049551-6765	OS Right Hand Cover - Bywater Blue (BW)	1	EA	
8	049551-6797	OS Right Hand Cover - Alluvial Blue (AB)	1	EA	
8	049551-6871	OS Right Hand Cover - San Marzano Red (SM)	1	EA	
8	049551-7024	OS Right Hand Cover - Pacific Grey (PG)	1	EA	
8	049551-7070	OS Right Hand Cover - Frost White (FW)	1	EA	
8	049551-7585	OS Right Hand Cover - Reduction Red (RE)	1	EA	
8	049551-7652	OS Right Hand Cover -Artic Grey (AG)	1	EA	
8	049551-7674	OS Right Hand Cover - Damascus Grey (DG)	1	EA	

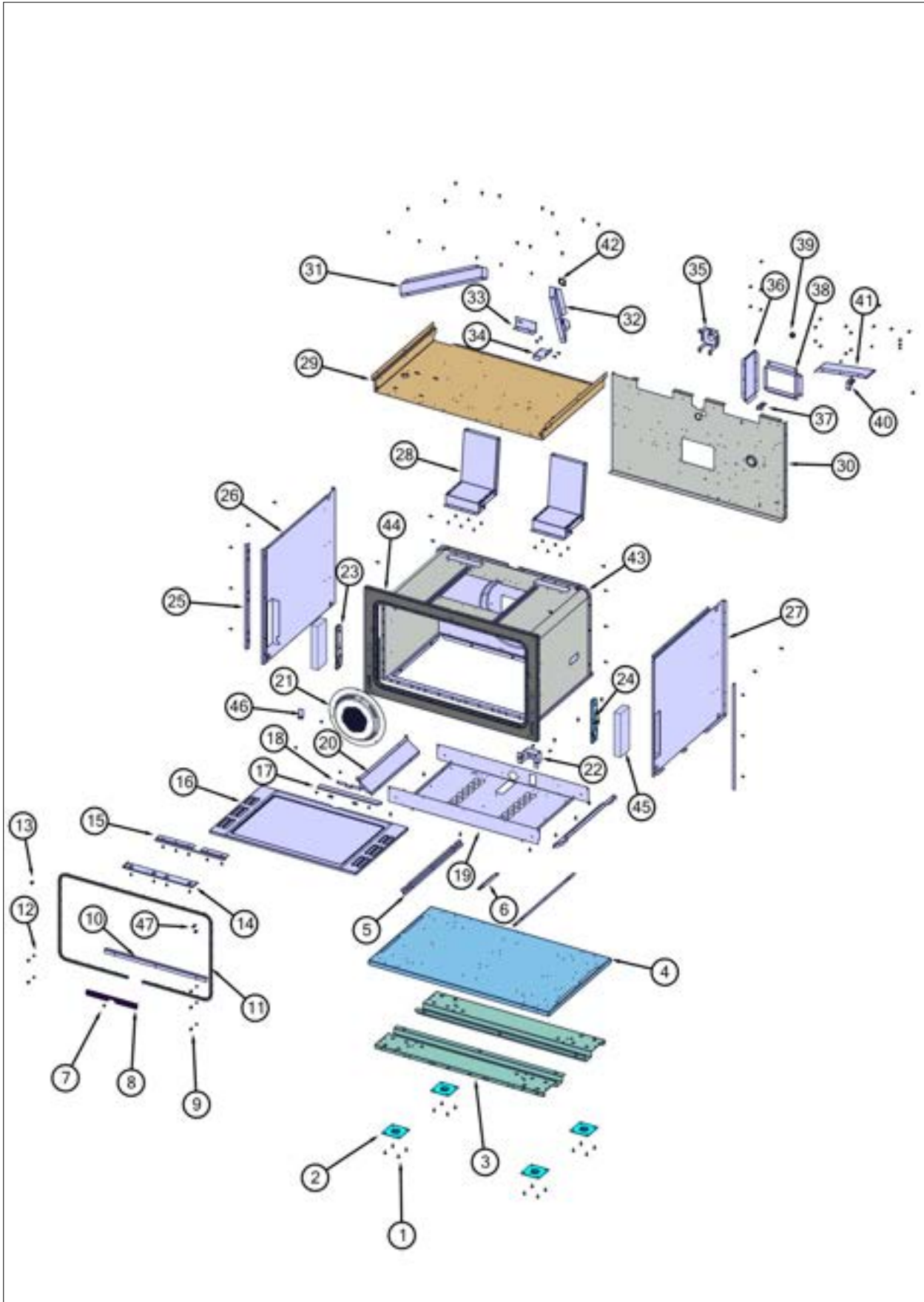


Item	Part No.	Name	Qty	Uom	NOTES
8	049551-9178	OS Right Hand Cover - Slate Blue (SB)	1	EA	
9	042372-000	COVER, OS, LH	1	EA	
9	049552-002	COVER, OS, LH, DECARB BK	1	EA	
9	049552-005	COVER, OS, LH, DECARB GG	1	EA	
9	049552-006	COVER, OS, LH, DECARB WH	1	EA	
9	049552-008	COVER, OS, LH, DECARB BU	1	EA	
9	049552-013	COVER, OS, LH, DECARB CB	1	EA	
9	049552-024	COVER, OS, LH, DECARB AR	1	EA	
9	049552-2801	OS Left Hand Cover - Kalamata Red (KA)	1	EA	
9	049552-2847	OS Left Hand Cover - Blackforest Green (BF)	1	EA	
9	049552-6180	OS Left Hand Cover - Cypress Green (CY)	1	EA	
9	049552-6258	OS Left Hand Cover - Cast Black (CS)	1	EA	
9	049552-6421	OS Left Hand Cover - Vanilla Cream (VC)	1	EA	
9	049552-6765	OS Left Hand Cover - Bywater Blue (BW)	1	EA	
9	049552-6797	OS Left Hand Cover - Alluvial Blue (AB)	1	EA	
9	049552-6871	OS Left Hand Cover - San Marzano Red (SM)	1	EA	
9	049552-7024	OS Left Hand Cover - Pacific Grey (PG)	1	EA	
9	049552-7070	OS Left Hand Cover - Frost White (FW)	1	EA	
9	049552-7585	OS Left Hand Cover - Reduction Red (RE)	1	EA	
9	049552-7652	OS Left Hand Cover -Artic Grey (AG)	1	EA	
9	049552-7674	OS Left Hand Cover - Damascus Grey (DG)	1	EA	
9	049552-9178	OS Left Hand Cover - Slate Blue (SB)	1	EA	
10	042117-000	TRIM, IS, VGR, 36"	1	EA	
11	042543-000	COVER, BACK, 36"	1	EA	
12	043746-000	PNL, ACCESS, W/HEYCO	1	EA	



Item	Part No.	Name	Qty	Uom	NOTES
13	pe070069	STRAIGHT-THRU BUSHING	1	EA	
14	003860-000	10-18 x .500 FASTNR,SCR,HXWH,STL,ZPLT	26	EA	
NI	A2002654	ANTI-TIP DEVICE (VDSC)	1	EA	
NI	034927-000	BRACKET, ANTI-TIP	1	EA	
Not Shown	NOTE	(FOR FLOOR MOUNT)		EA	
NI	034928-000	BRACKET, HOOK, ANTI-TIP	1	EA	
Not Shown	NOTE	(FOR FLOOR MOUNT)		EA	

Base View





Item	Part No.	Name	Qty	Uom	NOTES
1	003860-000	10-18 x .500 FASTNR,SCR,HXWH,STL,ZPLT	38	EA	
2	PC030007	LEG PLATE - 3/4" THREADED HOLE	4	EA	
3	046935-000	BRACKET, LEG, OFFSET (NON- SERVICEABLE PART)	2	EA	
4	020604-000	BASE, RANGE	1	EA	
5	A2004429	OVEN BOTTOM INSUL. BRACE (VGSC306)	2	EA	
6	050794-000	BRACKET, HOLD-DOWN, BOX, FIRE	1	EA	
7	037304-000	FASTENER, PNH, TORX, AB, PSVD, WAX	20	EA	
8	009005-000	GASKET CLIP RAW	1	EA	
9	046651-000	SCREW, TRILOBE, 10-32, TRUSS, PH, BLACK	5	EA	
10	050267-000	BRACKET, SUPPORT, BOTTOM, OVEN, 30"/36"	1	EA	
11	046019-000	GASKET, LINER, AG, ASM 36"	1	EA	
12	052632-000	WASHER, FLAT, PTFE, NO.10	5	EA	
13	043800-000	BUMPER, RBR, BLK	2	EA	
14	020409-000	BRACKET, SPRT, FR, I/R BROILER	1	EA	
15	020412-000	BRACKET, SPRT, REAR, I/R BROILER	1	EA	
16	066210-000	ASM, BOTTOM, CABITY, OVEN, GAS, 36"	1	EA	
17	031445-402	BRACE, OVEN, BOTTOM, BACK W/BK PORC	1	EA	
18	A2004428	REAR BOTTOM BRCKT (VGSC306)	1	EA	
19	043730-000	OVEN CVTY, BTM, 36"	1	EA	
20	014747-000	BRACKET, BNR, SIDE, PORCELAIN	2	EA	
21	013580-402	CONV COVER W/BK PORC	1	EA	
22	040736-000	BRKT, ORF	1	EA	
23	045060-000	RECEIVER, HINGE, SLOW- CLOSE, UNDAMPENED	1	EA	
24	054057-000	RECEIVER, HINGE, SLOW- CLOSE, DAMPENED	1	EA	
25	005536-000	TRIM	2	EA	



Item	Part No.	Name	Qty	Uom	NOTES
26	042343-000	PANEL, INSL, LH	1	EA	
27	042339-000	PANEL, INSL, RH	1	EA	
28	062991-000	VENT FLUE, ASM	2	EA	
29	064635-000	PANEL, INSL, 36" TOP, VGR736	1	EA	
30	049499-000	PANEL, INSL, GRIDDLE, BACK, 36"	1	EA	
31	042346-000	DIVERTER, AIR, LH	1	EA	
32	042347-000	DIVERTER, AIR, RH	1	EA	
33	060591-000	BRACKET, SWITCH, LIMIT, HI	1	EA	
34	046065-000	BRACKET, SWITCH, OVEN LIGHT	1	EA	
35	046409-000	BRCKT, RETAINER, REGULATOR	1	EA	
36	046187-000	SHIELD, WATER, DIVERTER	1	EA	
37	012438-000	SWITCH, LIM, BRKT	1	EA	
38	A2008467	INSULATION SHIELD	1	EA	
39	PD040005	SNAP BUSHING - 7/8"	1	EA	
40	033668-000	BRACKET, DISCONNECT	1	EA	
41	049629-000	SHIELD, DIVERTER, WATER	1	EA	
42	045550-000	SADDLE, WIRE, EDGE	1	EA	
43	057778-402	CAVITY, OVEN, RECESSED, VGR, 36" BK	1	EA	
44	043699-402	FRAME, FR, WELDMENT, 36" BK	1	EA	
45	046677-000	INSULATION, FBGL, RECEIVER, DAMPENING	2	EA	
46	048048-000	BRKT, SWITCH, LIM, HIGH	1	EA	
NI	056013-000	INSULATION, FIBERGLASS, ROLL, 3" THK, 20" WIDE X 45' LONG	1	EA	
47	044044-000	GROMMET, SWITCH, DOOR, RBR	1	EA	



Appendix A:Pages Index

Base View .....	7
Control View .....	5
Decor View .....	6
Electrical View .....	4
Gas Asm View .....	3
Harness View .....	2
Surface Cooking View .....	1





Appendix B:Parts Index

002884-000	..... 3	042323-6765	..... 6
003860-000	..... 4, 4, 6, 7	042323-6797	..... 6
005536-000	..... 7	042323-6871	..... 6
007008-000	..... 4	042323-7024	..... 6
007147-000	..... 3	042323-7070	..... 6
009005-000	..... 7	042323-7585	..... 6
009111-000	..... 3	042323-7652	..... 6
009112-000	..... 3	042323-7674	..... 6
012438-000	..... 7	042323-9178	..... 6
013580-402	..... 7	042339-000	..... 7
014143-000	..... 1	042343-000	..... 7
014747-000	..... 7	042346-000	..... 7
019959-000	..... 4	042347-000	..... 7
020409-000	..... 7	042350-000	..... 1
020412-000	..... 7	042372-000	..... 6
020604-000	..... 7	042375-000	..... 6
021199-000	..... 4	042543-000	..... 6
030813-000	..... 4	042545-000	..... 1
031313-000	..... 1	042741-000	..... 1
031445-402	..... 7	042742-000	..... 1
031735-000	..... 4	042785-000	..... 1
033668-000	..... 1, 7	043276-000	..... 3
034927-000	..... 6	043453-000	..... 4
034928-000	..... 6	043615-000	..... 4
037304-000	..... 1, 3, 4, 7	043657-000	..... 4
038655-000	..... 4	043675-000	..... 3
040736-000	..... 7	043699-402	..... 7
042117-000	..... 6	043730-000	..... 7
042287-000	..... 6	043746-000	..... 6
042323-002	..... 6	043800-000	..... 7
042323-005	..... 6	043994-000	..... 4
042323-006	..... 6	044044-000	..... 7
042323-008	..... 6	044178-000	..... 6
042323-013	..... 6	044195-000	..... 4
042323-024	..... 6	044310-000	..... 3
042323-2801	..... 6	044321-000	..... 3
042323-2847	..... 6	044637-000	..... 3
042323-6180	..... 6	044638-000	..... 3
042323-6258	..... 6	044686-000	..... 3
042323-6421	..... 6	044688-000	..... 3
		044691-000	..... 3



044747-000	4	049551-2847	6
044937-000	5	049551-6180	6
045060-000	7	049551-6258	6
045528-000	4	049551-6421	6
045548-000	1	049551-6765	6
045550-000	7	049551-6797	6
045594-000	4	049551-6871	6
045773-000	4	049551-7024	6
045843-000	1	049551-7070	6
045888-000	1	049551-7585	6
045932-000	4	049551-7652	6
046019-000	7	049551-7674	6
046065-000	7	049551-9178	6
046119-000	3	049552-002	6
046133-000	3	049552-005	6
046184-000	3	049552-006	6
046187-000	7	049552-008	6
046283-000	4	049552-013	6
046409-000	7	049552-024	6
046651-000	7	049552-2801	6
046677-000	7	049552-2847	6
046854-000	1	049552-6180	6
046935-000	7	049552-6258	6
046964-000	3	049552-6421	6
047069-000	1	049552-6765	6
048014-000	4	049552-6797	6
048031-000	3	049552-6871	6
048048-000	7	049552-7024	6
048188-000	1	049552-7070	6
048347-000	4	049552-7585	6
048961-000	1	049552-7652	6
049039-402	1	049552-7674	6
049499-000	7	049552-9178	6
049534-000	1	049629-000	7
049551-002	6	049744-000	1
049551-005	6	049750-000	1
049551-006	6	049753-000	1
049551-008	6	049777-000	1
049551-013	6	049878-000	4
049551-024	6	049964-000	1
049551-2801	6	050267-000	7



050794-000	7	066170-000	1
051541-000	3	066171-000	3
051956-000	2	066172-000	3
052259-000	1	066177-000	3
052260-000	1	066210-000	7
052295-000	1	066225-402	6
052427-000	6	066367-000	4
052632-000	7	066471-000	1
053357-000	3	066475-000	1
054057-000	7	066808-000	4
054388-000	1	066809-000	4
056013-000	7	066839-000	1
056256-000	3	067030-000	3
056427-000	3	067118-2544	5
057686-000	6	067119-2617	5
057778-402	7	068653-601	4
058147-000	1	A2002654	6
058659-603	4	A2004428	7
058659-604	4	A2004429	7
060591-000	7	A2008467	7
061041-000	5	M0211021	4
061075-000	4	PA020028	4
061090-501	5	PB020126	3
061211-000	4	PB020127	3
061224-000	3	PB020191	3
061225-000	3	PB020198	3
061252-000	4	PB040050	3
062214-000	4	PB040178	3
062885-501	4	PB040190	3
062991-000	7	PB040213	3
063263-000	4	PB070208	4
063295-000	3	PC030007	7
063636-000	4	PD010012	3
063640-000	5	PD020004	3
064398-2845	5	PD020006	4
064541-000	4	PD020032	5, 6
064543-000	4	PD020046	5
064635-000	7	PD020068	1
065702-579	4	PD020269	5
066105-000	3	PD030018	3
066169-000	3	PD040005	7



PE050206 .....	4
PJ030022 .....	4
g3001876 .....	3
pb040026 .....	3
pd020232 .....	6
pe070069 .....	6