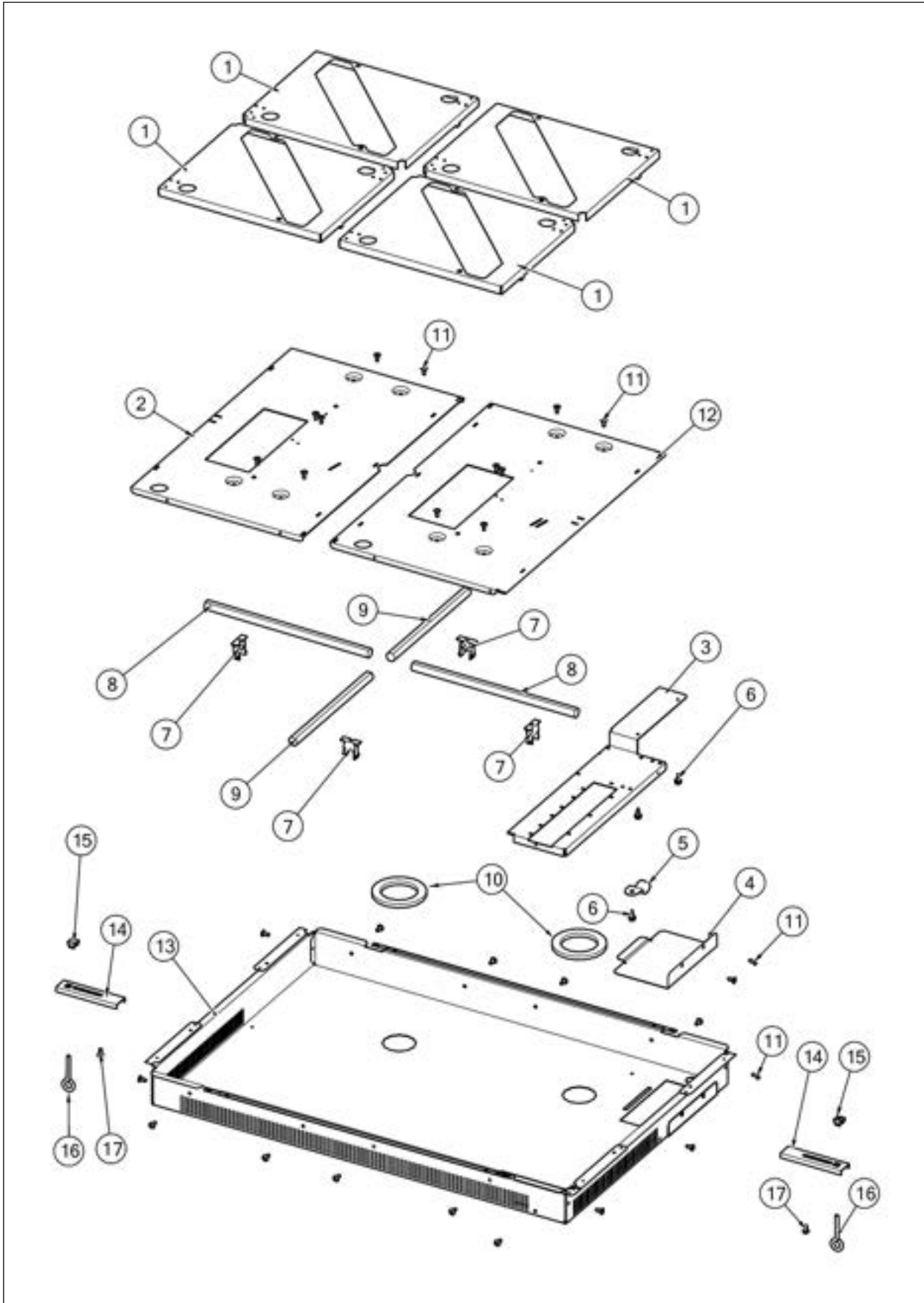


CVIC530-4B

BASE	1
DECOR	2
ELECTRICAL - 1	3
ELECTRICAL - 2	4
ELECTRICAL - 3	5
Appendix A:Pages Index	A
Appendix B:Parts Index	B

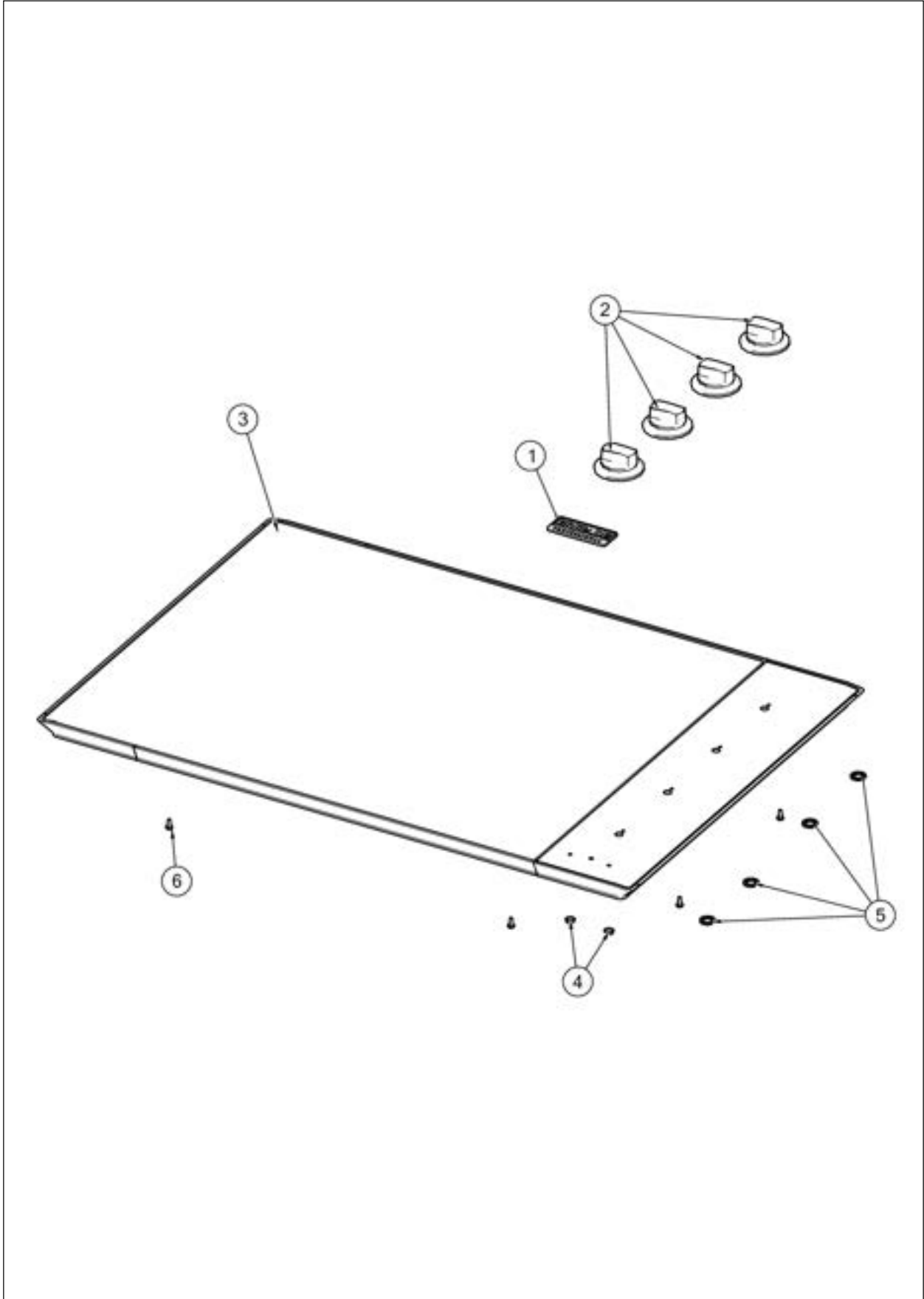
BASE





Item	Part No.	Name	Qty	Uom	NOTES
1	043090-000	BASE, ELEMENT, INDUCTION, 30"	4	EA	Not available online / Call for pricing and availability
2	052470-000	PLATE, MTG, INDUCTION 30" MODULE 1	1	EA	Not available online / Call for pricing and availability
3	051576-000	BRACKET, MTG, ELECTRONICS	1	EA	Not available online / Call for pricing and availability
4	043616-000	COVER, TERMINAL, BLOCK	1	EA	Not available online / Call for pricing and availability
5	044546-000	CLAMP, CONDUIT	1	EA	
6	003860-000	10-18 x .500 FASTNR,SCR,HXWH,STL,ZPLT	1	EA	
7	045665-000	HOLDER, LIGHT, PIPE	4	EA	Not available online / Call for pricing and availability
8	043363-000	LIGHT PIPE, 30", HORZ	2	EA	Not available online / Call for pricing and availability
9	043360-000	LIGHT PIPE, 36", HORZ	2	EA	Not available online / Call for pricing and availability
10	003820-000	INDUCTION FAN SEAL - NLA	2	EA	
11	008863-000	SCREW NO.8 - 18 X 3/8, PHIL, LOW PROFILE TRUSS	1	EA	
12	052476-000	PLATE, MTG, INDUCTION 30" MODULE 2	1	EA	Not available online / Call for pricing and availability
13	N/P	BOX, BNR, INDUCTION, 30	1	EA	
14	038618-000	BRACKET, HOLD	2	EA	
15	PD030029	SELF RETAINING NUT (1/4-20)	2	EA	
16	PD010027	EYE BOLT-VGSU101/161	2	EA	
17	PD020004	10X3/8PH.HD.TYPE 25 REPL PD040125	2	EA	

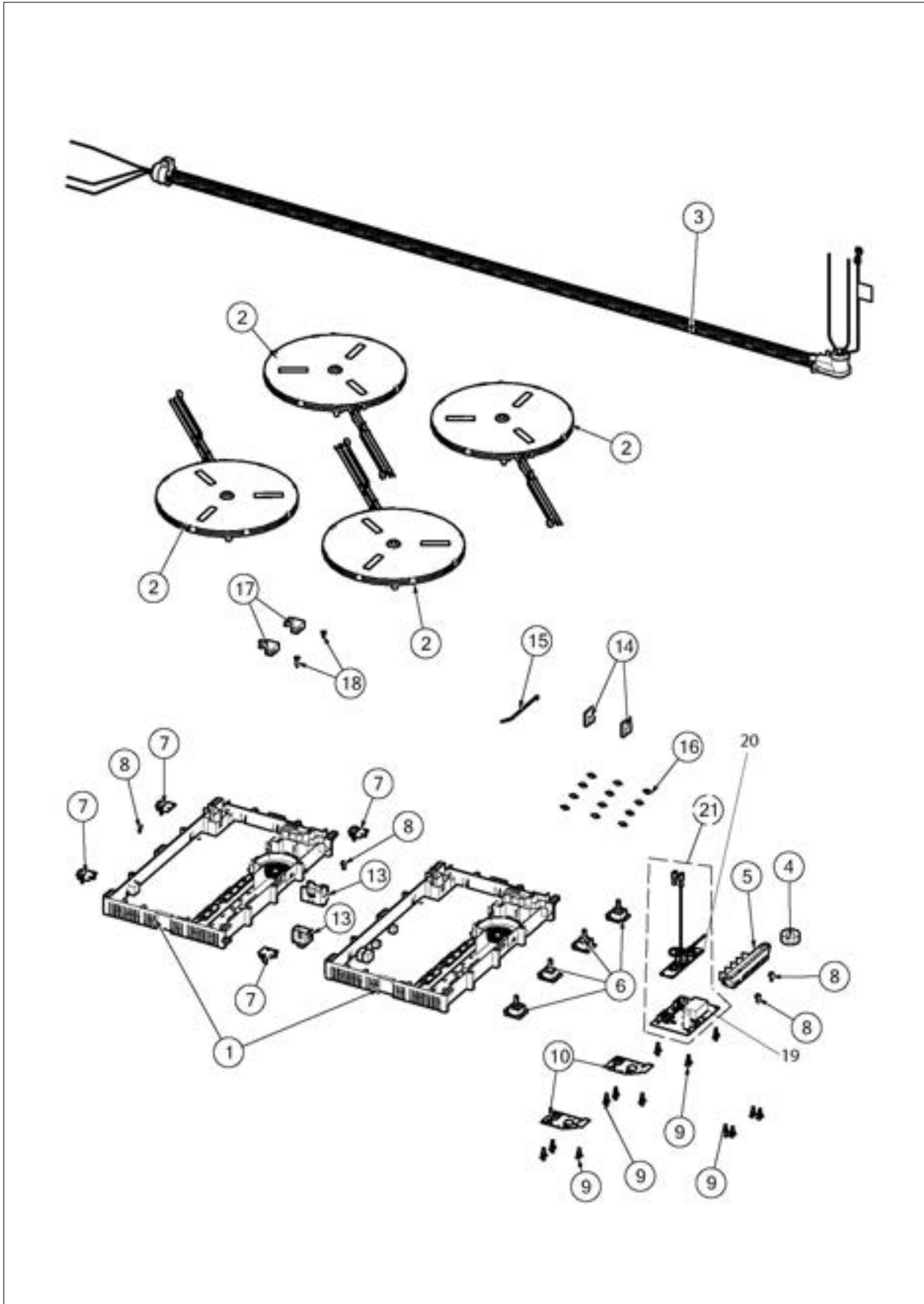
DECOR





Item	Part No.	Name	Qty	Uom	NOTES
1	040833-000	NAMEPLATE, BRIGADE, PRO, CAN, 3"	1	EA	
2	043375-000	KNOB, INDUCTION, ASM	4	EA	
3	042417-000	TOP, ASM, INDUCTION, 30" - NLA	1	EA	
4	PD030006	CAPPED WASHER PAL NUT	2	EA	
5	PD040117	10 MM WASHER	4	EA	
6	PD020062	#8-32 X 3/8 PHMS TYPE 1	1	EA	

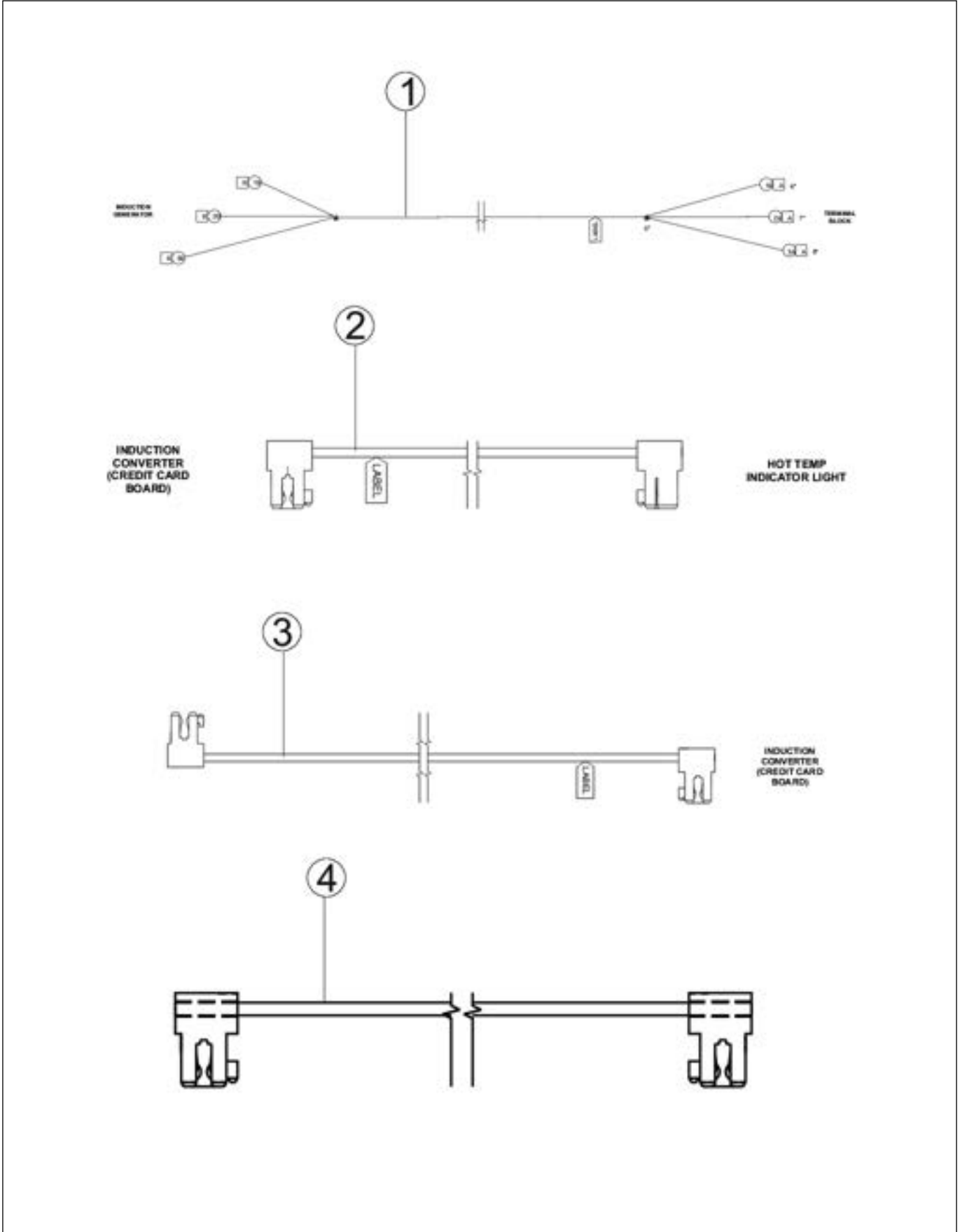
ELECTRICAL - 1





Item	Part No.	Name	Qty	Uom	NOTES
1	041802-000	GENERATOR EGO G5	2	EA	
2	041803-000	INDUCTOR EGO 210	4	EA	
3	040189-000	HARNESS, CNDT, IND	1	EA	
4	003592-000	CASED CORE	1	EA	
5	054135-000	BLOCK, TERMINAL, 6-POLE (Heyco # 9454)	1	EA	
6	003225-000	ROTARY INDUCTION CONTROL	4	EA	
7	043044-000	LIGHT, IND, HOT	4	EA	
8	PD020010	10 X 3/8 GREEN GROUNDING SCREW		EA	
9	003715-000	CONVERTER STANDOFF	14	EA	
10	003154-046	CONVERTER, INDUCTION	2	EA	
13	045743-000	HOUSING, LED, ASM	1	EA	
14	M0104106	CLIP-CORD VM0104106	2	EA	
15	050786-000	TIE, CABLE, LOCKING, 2.5MM X 4", 18 LBS, 115C, BLK, PANDUIT, PLY1M-M30	1	EA	
16	003148-000	LED STANDOFF	12	EA	
17	003591-000	STRAIN RELIEF	2	EA	
18	PD020061	' #8 X 3/4 FLAT HD TEK. *SS*	2	EA	
19	044045-000	SUPPLY, POWER, ELEC	1	EA	
Not Shown	NOTE	(BEFORE SERIAL 060817C10263193)		EA	
20	051748-000	PCBA, FUSE. AC CHOKE	1	EA	
Comments for Part Num. 051748-000					
gboltz@VikingRange.com on Mar 13, 2019					
TEST					
Not Shown	NOTE	(BEFORE SERIAL 060817C10263193)		EA	
21	060266-000	PCBA, DRIVER, LED, AC CHOKE, VIC ASSY	1	EA	
Not Shown	NOTE	(ON OR AFTER SERIAL 060817C10263193)		EA	

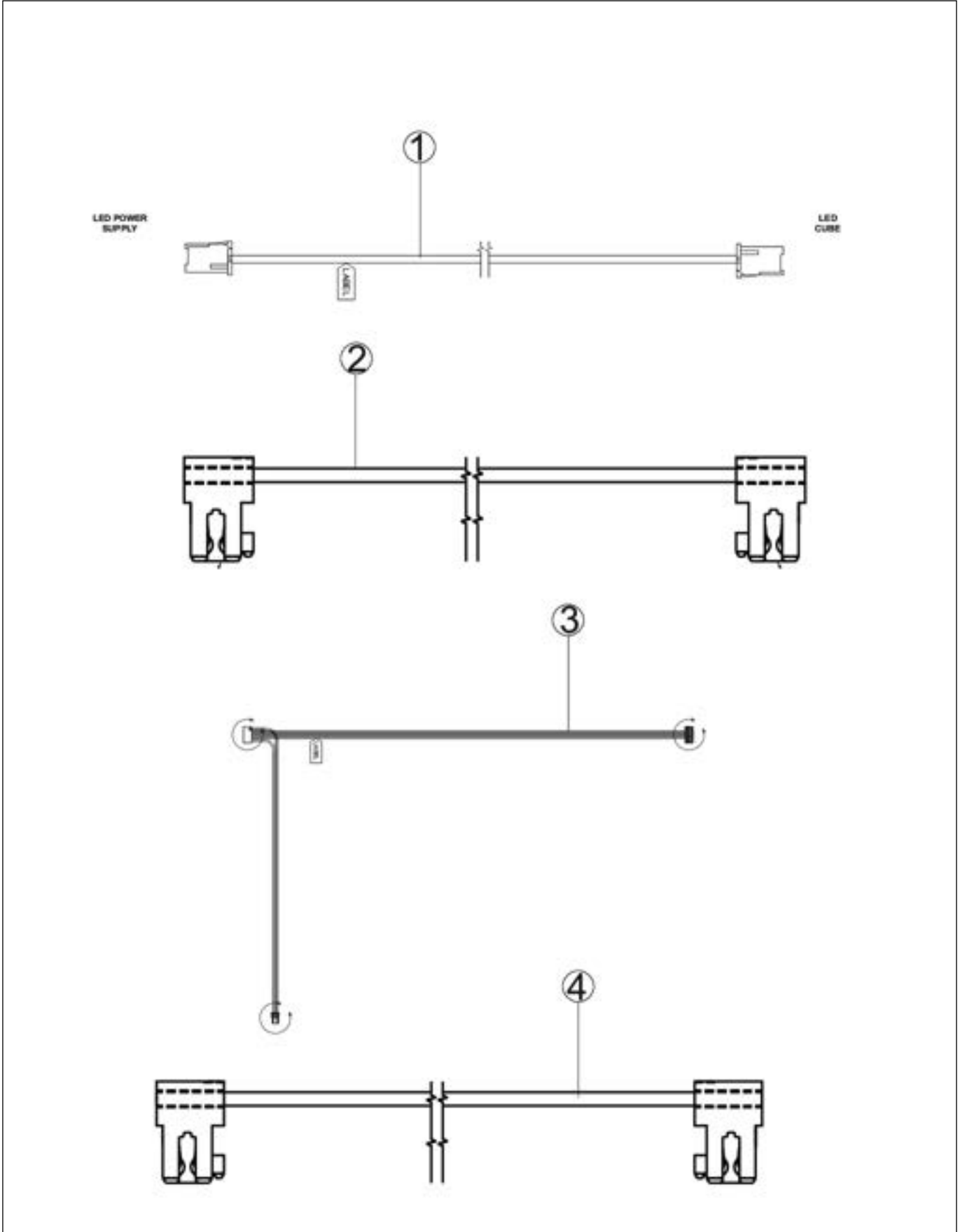
ELECTRICAL - 2





Item	Part No.	Name	Qty	Uom	NOTES
1	052303-000	HARN, VIC, GEN, 18" & FAMILY	1	EA	Not available online / Call for pricing and availability
2	052536-000	HARN, VIC, PWR, GEN, 28"	1	EA	
3	051870-000	HARN, VIC, GEN, 24" & FAMILY	1	EA	Not available online / Call for pricing and availability
4	046522-000	HARNESS, VIC, LED, IND, 30"	1	EA	Not available online / Call for pricing and availability

ELECTRICAL - 3





Item	Part No.	Name	Qty	Uom	NOTES
1	046530-000	HARNESS, VIC, LED, CUBE, 16"	1	EA	Not available online / Call for pricing and availability
2	046525-000	HARNESS, VIC, LED, IND, 36"	1	EA	Not available online / Call for pricing and availability
3	046531-000	HARNESS, VIC, INDUCTION, CONTROL	4	EA	Not available online / Call for pricing and availability
4	046524-000	HARNESS, VIC, LED, IND, 26"	1	EA	Not available online / Call for pricing and availability
NI	046527-000	HARNESS, VIC, GEN, 30"	1	EA	Not available online / Call for pricing and availability



Appendix A:Pages Index

BASE	1
DECOR	2
ELECTRICAL - 1	3
ELECTRICAL - 2	4
ELECTRICAL - 3	5



Appendix B:Parts Index

003148-000	3	060266-000	3
003154-046	3	M0104106	3
003225-000	3	PD010027	1
003591-000	3	PD020004	1
003592-000	3	PD020010	3
003715-000	3	PD020061	3
003820-000	1	PD020062	2
003860-000	1	PD030006	2
008863-000	1	PD030029	1
038618-000	1	PD040117	2
040189-000	3		
040833-000	2		
041802-000	3		
041803-000	3		
042417-000	2		
043044-000	3		
043090-000	1		
043360-000	1		
043363-000	1		
043375-000	2		
043616-000	1		
044045-000	3		
044546-000	1		
045665-000	1		
045743-000	3		
046522-000	4		
046524-000	5		
046525-000	5		
046527-000	5		
046530-000	5		
046531-000	5		
050786-000	3		
051576-000	1		
051748-000	3		
051870-000	4		
052303-000	4		
052470-000	1		
052476-000	1		
052536-000	4		
054135-000	3		