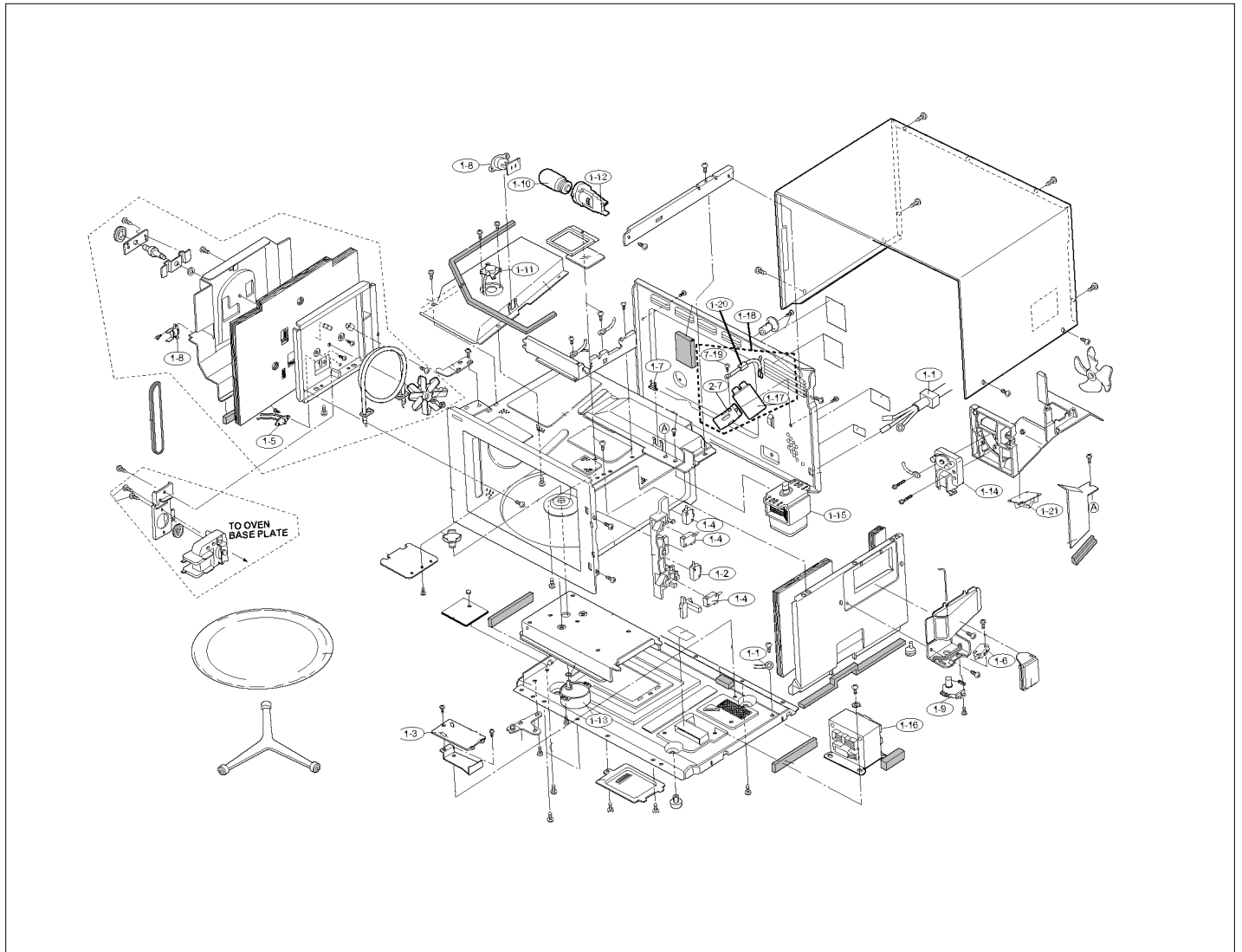


**CVMOC206SSY**

CVMOC206SSY Electrical Parts .....	1
CVMOC206SSY Oven Parts .....	2
CVMOC206SSY Misc Parts .....	3
CVMOC206SSY Control Panel .....	4
CVMOC206SSY Door Parts .....	5
CVMOC206SSY Cabinet Parts .....	6
Appendix A:Pages Index .....	A
Appendix B:Parts Index .....	B

CVMOC206SSY Electrical Parts

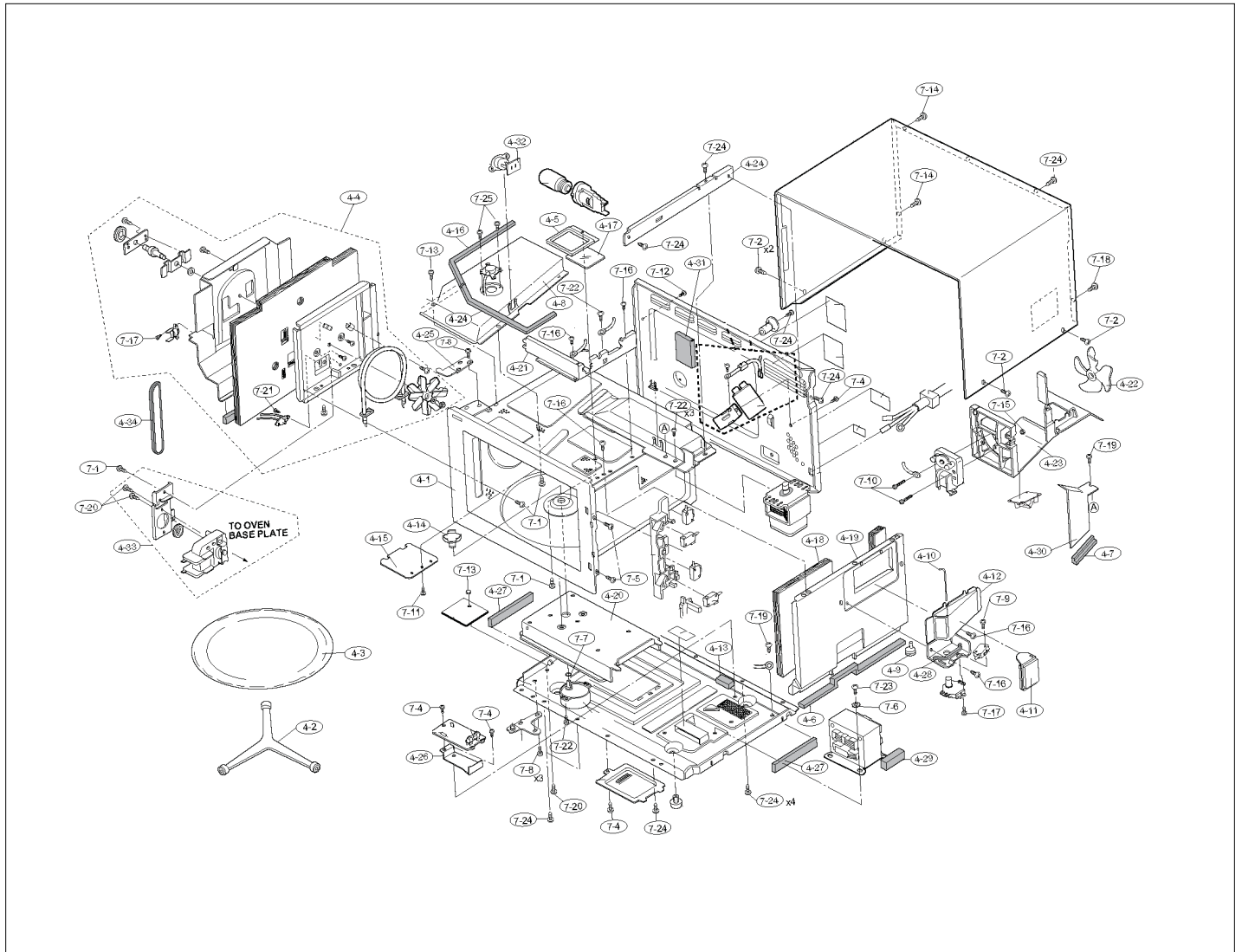


Item	Part No.	Name	Qty	Uom	NOTES
1	028812-000	ÅÅ OVEN & CONVECTION THERMAL CUT-OUT 150 C	2	EA	
2	028811-000	OVEN LAMP	1	EA	
3	PM100039	OVEN LAMP SOCKET	1	EA	
4	PM100049	AH SENSOR ASSEMBLY	1	EA	
Not Shown	NOTE	(BEFORE SERIAL C26SSA, C26BKA, C26WHA)		EA	
4	066277-000	AH sensor assembly	1	EA	
Not Shown	NOTE	(ON OR AFTER C26SSA, C26BKA, C26WHA)		EA	
5	065356-000	H.V.rectifier assembly	1	EA	
6	PM100045	H.V. RECTIFIER ASSEMBLY	1	EA	
7	028819-000	SCREW; 4MM X 8MM	3	EA	Not available online / Call for pricing and availability
8	PM100051	CAPACITOR HOLDER	1	EA	
9	PM100044	H.V. CAPACITOR (INTERCHANGEABLE)	1	EA	
10	065284-000	Thermistor	1	EA	
Not Shown	NOTE	(BEFORE SERIAL C26SSA, C26BKA, C26WHA)		EA	
10	066276-000	Thermistor	1	EA	
Not Shown	NOTE	(ON OR AFTER C26SSA, C26BKA, C26WHA)		EA	
11	PM100029	POWER SUPPLY CORD	1	EA	
12	PM100041	FAN MOTOR	1	EA	
13	063772-000	SWITCHING POWER SUPPLY	1	EA	
14	065286-000	Magnetron	1	EA	
15	062583-000	SECONDARY/THIRD/STOP SWITCH	3	EA	
16	019070-000	MONITOR SWITCH AND C/T FUSE	1	EA	
17	062583-000	SECONDARY/THIRD/STOP SWITCH	1	EA	
18	022389-000	DAMPER MOTOR	1	EA	
19	065287-000	Power transformer	1	EA	
20	065285-000	Turntable motor	1	EA	
22	070510-000	Noise filter	1	EA	



Item	Part No.	Name	Qty	Uom	NOTES
23	028808-000	C/T FUSE	1	EA	

CVMOC206SSY Oven Parts





Item	Part No.	Name	Qty	Uom	NOTES
1	PM120005	SCREW	2	EA	
2	011843-000	SCREW : 4MM X 12MM	21	EA	
3	PM120030	SCREW, XOTSD40P12000	1	EA	
4	PM120146	SCREW : 4MM X 12MM	4	EA	
5	028821-000	NUT; 4MM X 3.2MM	2	EA	Not available online / Call for pricing and availability
6	028819-000	SCREW; 4MM X 8MM	3	EA	Not available online / Call for pricing and availability
7	065299-000	Cooling fan duct	1	EA	
8	PM120148	SCREW : 3MM X 14MM	4	EA	NO LONGER AVAILABLE, Not available online / Call for pricing and availability
9	028816-000	SCREW; 4MM X 25MM	2	EA	Not available online / Call for pricing and availability
10	028867-000	MAGNETRON AIR GUIDE	1	EA	Not available online / Call for pricing and availability
11	028868-000	CUSHION	1	EA	Not available online / Call for pricing and availability
12	028873-000	THERMAL PROTECTION SHEET (RIGHT)	1	EA	Not available online / Call for pricing and availability
13	PM110042	THERMAL PROTECTION PLATE (RIGHT)	1	EA	NO LONGER AVAILABLE
14	028869-000	DAMPER SHAFT	1	EA	Not available online / Call for pricing and availability
15	028870-000	DAMPER DUCT	1	EA	Not available online / Call for pricing and availability
16	028815-000	SCREW; 3MM X 14MM	1	EA	Not available online / Call for pricing and availability



Item	Part No.	Name	Qty	Uom	NOTES
17	028804-000	SCREW; 4MM x 8MM	6	EA	Not available online / Call for pricing and availability
18	PM120053	DAMPER CAM	1	EA	
19	PM120061	DAMPER DUCT CUSHION	1	EA	NO LONGER AVAILABLE
20	028817-000	SCREW; 3MM X 6MM	3	EA	Not available online / Call for pricing and availability
21	028871-000	DAMPER DOOR ASSÆY	1	EA	Not available online / Call for pricing and availability
22	028820-000	SCREW; 6MM X 14MM	2	EA	
23	028822-000	WASHER; 6MM X 0.7 MM	1	EA	Not available online / Call for pricing and availability
24	PM120062	CUSHION	1	EA	NO LONGER AVAILABLE
25	028872-000	CUSHION	2	EA	Not available online / Call for pricing and availability
26	PM120060	CUSHION	2	EA	NO LONGER AVAILABLE
27	028874-000	CUSHION	1	EA	Not available online / Call for pricing and availability
28	065298-000	Air guide (Bottom)	1	EA	
29	PM120003	SCREW	2	EA	
30	028805-000	WASHER	1	EA	Not available online / Call for pricing and availability
31	028818-000	SCREW; 4MM X 8MM	6	EA	Not available online / Call for pricing and availability
32	028829-000	SPECIAL SCREW	6	EA	Not available online / Call for pricing and availability



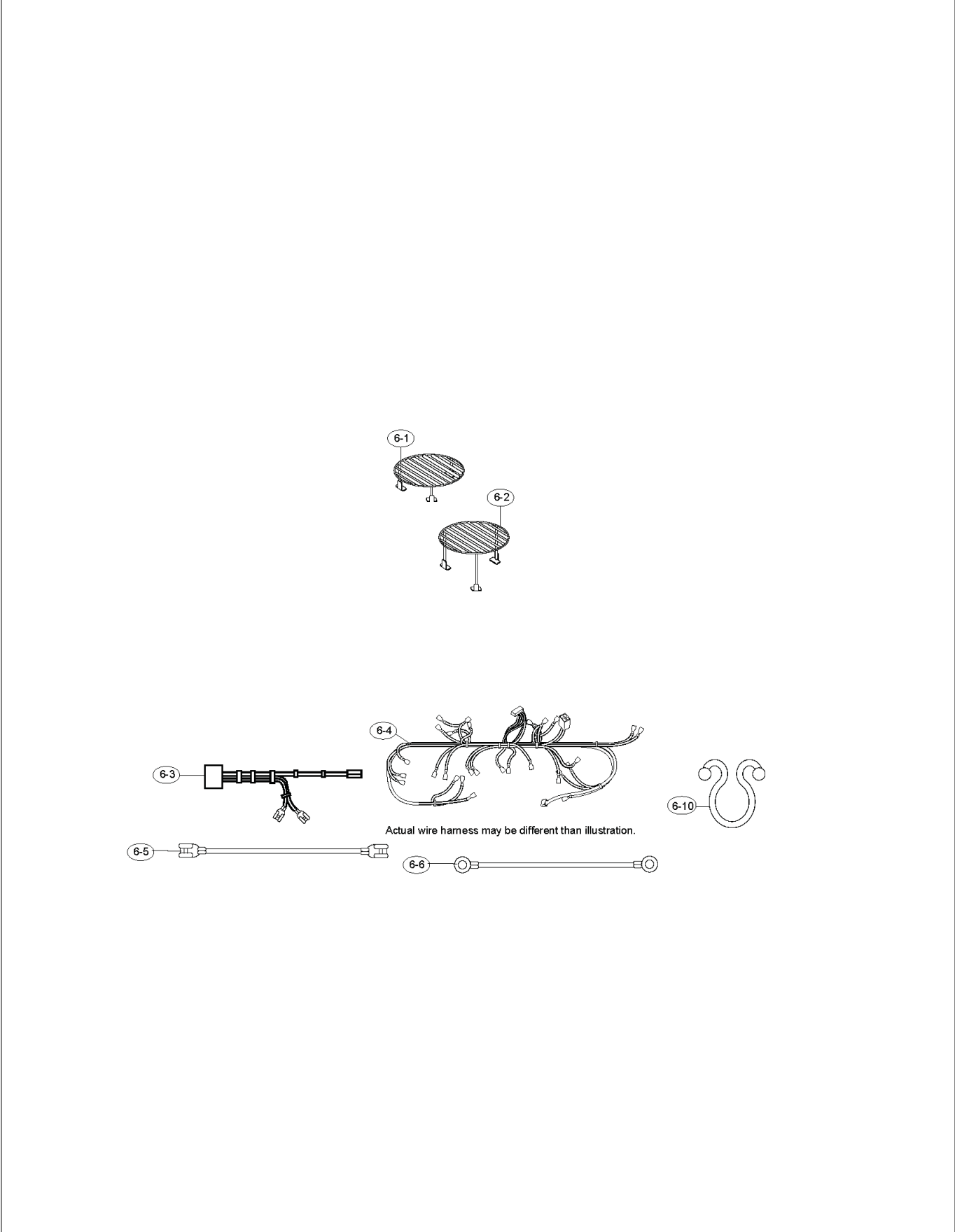


Item	Part No.	Name	Qty	Uom	NOTES
33	028828-000	SCREW; 4MM X 6MM	1	EA	Not available online / Call for pricing and availability
34	028803-000	NOISE UNIT ANGLE	1	EA	Not available online / Call for pricing and availability
35	065295-000	Turntable support	1	EA	
36	065296-000	Turntable tray	1	EA	
37	022474-000	SCREW : 4MM X 6MM	3	EA	
38	PM110039	WAVEGUIDE COVER	1	EA	
39	065297-000	Turntable coupling	1	EA	
40	028832-000	SPECIAL NUT	1	EA	Not available online / Call for pricing and availability
41	PM120076	SCREW; 4MM X 10MM	14	EA	NO LONGER AVAILABLE
42	N/A	Oven cavity assembly (Not Replaceable)	1	EA	
43	065289-000	Convection motor	1	EA	
44	PM110049	CONVECTION FAN BELT	1	EA	
45	PM120092	SCREW: 3MM X 6MM	4	EA	
46	028856-000	HEATER UNIT ASSEMBLY	1	EA	
47	PM110048	OVEN HINGE (UPPER)	1	EA	
48	028864-000	AIR GUIDE (RIGHT)	1	EA	Not available online / Call for pricing and availability
49	028862-000	CHASSIS SUPPORT	1	EA	Not available online / Call for pricing and availability
50	028859-000	CUSHION	2	EA	Not available online / Call for pricing and availability
51	PM120052	STEAM DUCT ASSEMBLY	1	EA	NO LONGER AVAILABLE, Not available online / Call for pricing and availability



Item	Part No.	Name	Qty	Uom	NOTES
52	028860-000	SCREW; 3MM X 8MM	2	EA	Not available online / Call for pricing and availability
53	028861-000	GLASS MOUNTING PLATE	1	EA	Not available online / Call for pricing and availability
54	028806-000	THERMO COVER	1	EA	Not available online / Call for pricing and availability
55	PM110040	LIGHT GLASS	1	EA	NO LONGER AVAILABLE
56	028823-000	SCREW; 4MM X 8MM	7	EA	Not available online / Call for pricing and availability
57	PM110061	Thermal protection sheet	1	EA	
58	PM110046	FAN BLADE	1	EA	

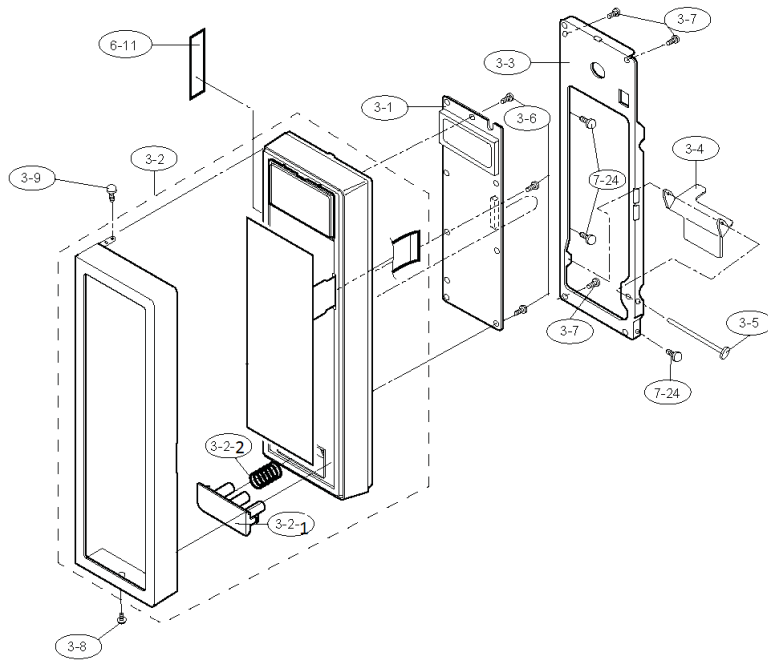
CVMOC206SSY Misc Parts





Item	Part No.	Name	Qty	Uom	NOTES
1	065301-000	Low rack (Broiling trivet)	1	EA	
2	065302-000	High rack (Baking rack)	1	EA	
3	PM100059	THERMISTOR HARNESS	1	EA	NO LONGER AVAILABLE
Not Shown	NOTE	(BEFORE SERIAL C26SSA, C26BKA, C26WHA)		EA	
3	066279-000	Thermistor harness	1	EA	
Not Shown	NOTE	(ON OR AFTER SERIAL C26SSA, C26BKA, C26WHA)		EA	
4	065303-000	Main wire harness	1	EA	
Not Shown	NOTE	(BEFORE SERIAL C26SSA, C26BKA, C26WHA)		EA	
4	066280-000	Main wire harness	1	EA	
Not Shown	NOTE	(ON OR AFTER SERIAL C26SSA, C26BKA, C26WHA)		EA	
5	PM100061	HIGH VOLTAGE WIRE B	1	EA	NO LONGER AVAILABLE
6	028798-000	GROUNDING WIRE (COOLING FAN MOTOR)	1	EA	Not available online / Call for pricing and availability
7	028797-000	CORD HOLDER	1	EA	Not available online / Call for pricing and availability

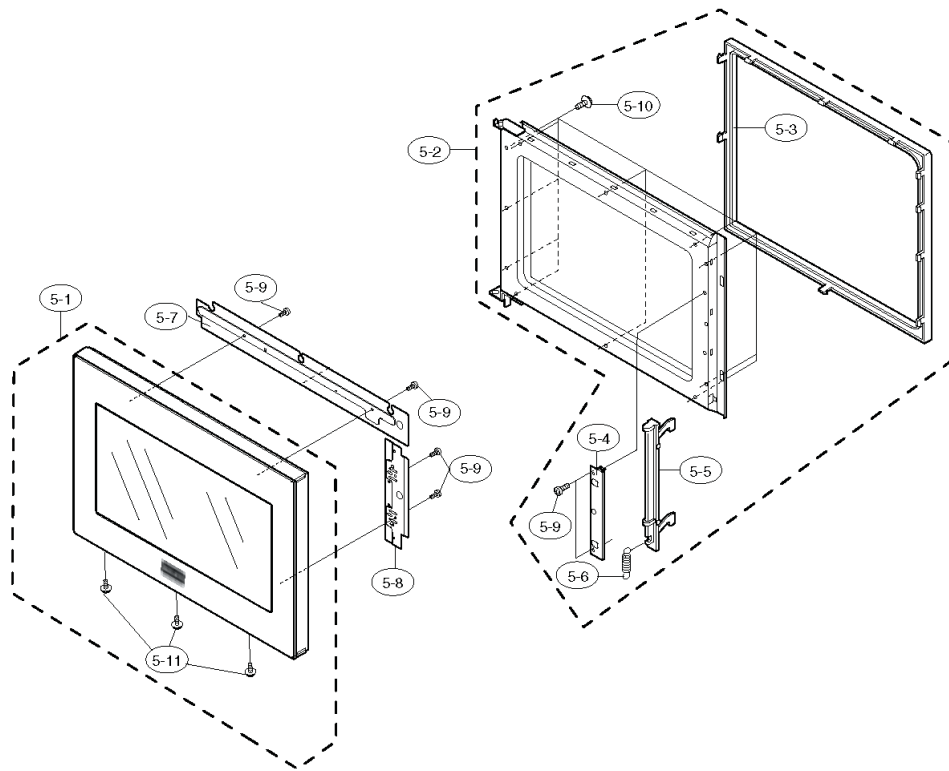
CVMOC206SSY Control Panel





Item	Part No.	Name	Qty	Uom	NOTES
1	065293-000	Control panel frame with key unit (VMOC206SSY)	1	EA	
1	065292-000	Control panel frame with key unit (VMOC206WHY)	1	EA	
1	065291-000	Control panel frame with key unit (VMOC206BKY)	1	EA	
2	PM120033	SCREW ; CONTROL PANEL MTG.	1	EA	
3	063188-000	SCREW	1	EA	
4	PM110027	OPEN BUTTON	1	EA	
5	PM120044	OPEN BUTTON SPRING	1	EA	
6	PM120021	USER CAUTION LABEL	1	EA	NO LONGER AVAILABLE
7	065290-000	Control unit	1	EA	
Not Shown	NOTE	(BEFORE SERIAL C26SSA, C26BKA, C26WHA)		EA	
7	066278-000	CONTROL UNIT	1	EA	
Not Shown	NOTE	(ON OR AFTER SERIAL C26SSA, C26BKA, C26WHA)		EA	
8	PM110028	CONTROL PANEL BACK PLATE	1	EA	
9	022262-000	SCREW; 3MM X 10MM	3	EA	
10	011843-000	SCREW : 4MM X 12MM	3	EA	
11	011843-000	SCREW : 4MM X 12MM	3	EA	
12	PM120046	OPEN SHAFT	1	EA	
13	PM120045	OPEN LEVER	1	EA	

CVMOC206SSY Door Parts





Item	Part No.	Name	Qty	Uom	NOTES
1	065359-000	Door frame assembly (includes badge) (CVMOC206SSY)	1	EA	
1	065360-000	Door frame assembly (includes badge) (CVMOC206WHY)	1	EA	
1	065361-000	Door frame assembly (includes badge) (CVMOC206BKY)	1	EA	
2	PM120033	SCREW ; CONTROL PANEL MTG.	3	EA	
3	PM110062	THERMAL PLATE U	1	EA	
4	022271-000	SCREW : 4MM X 8MM	6	EA	
5	PM110063	THERMAL PLATE R	1	EA	
6	065362-000	Door panel assembly	1	EA	
7	022271-000	SCREW : 4MM X 8MM	6	EA	
8	028878-000	LATCH HEAD SPRING	1	EA	
9	PM110056	LATCH ANGLE	1	EA	
10	000389-000	LATCH HEAD	1	EA	
11	028866-000	SCREW; 3MM X 8MM	12	EA	Not available online / Call for pricing and availability
12	PM110055	CHOKE COVER	1	EA	







Item	Part No.	Name	Qty	Uom	NOTES
1	065357-000	Outer case cabinet	1	EA	
2	028831-000	CSA BARRIER	1	EA	
3	065225-000	DHHS/Screw caution label	1	EA	
4	022495-000	NHW CAUTION LABEL	1	EA	
5	PM120073	LABEL	1	EA	NO LONGER AVAILABLE, Not available online / Call for pricing and availability
6	065304-000	UL screw label	1	EA	
7	028797-000	CORD HOLDER	1	EA	Not available online / Call for pricing and availability
8	N/A	Rear cabinet (Not Replaceable)	1	EA	
9	028798-000	GROUNDING WIRE (COOLING FAN MOTOR)	1	EA	Not available online / Call for pricing and availability
10	065303-000	Main wire harness	1	EA	
11	PM120042	LATCH HOOK	1	EA	
12	PM120043	SWITCH LEVER (MLEVPA231WRF0)	1	EA	
13	PM120069	Monitor caution label	1	EA	
14	N/A	Base cabinet (Not Replaceable)	1	EA	
15	PM110024	OVEN HINGE (LOWER)	1	EA	
16	PM110025	TURNTABLE MOTOR COVER	1	EA	
17	PM110023	FOOT	4	EA	



Appendix A:Pages Index

CVMOC206SSY Cabinet Parts ..... 6  
CVMOC206SSY Control Panel ..... 4  
CVMOC206SSY Door Parts ..... 5  
CVMOC206SSY Electrical Parts ..... 1  
CVMOC206SSY Misc Parts ..... 3  
CVMOC206SSY Oven Parts ..... 2



Appendix B:Parts Index

000389-000	5	028870-000	2
011843-000	2, 4, 4	028871-000	2
019070-000	1	028872-000	2
022262-000	4	028873-000	2
022271-000	5, 5	028874-000	2
022389-000	1	028878-000	5
022474-000	2	062583-000	1, 1
022495-000	6	063188-000	4
028797-000	3, 6	063772-000	1
028798-000	3, 6	065225-000	6
028803-000	2	065284-000	1
028804-000	2	065285-000	1
028805-000	2	065286-000	1
028806-000	2	065287-000	1
028808-000	1	065289-000	2
028811-000	1	065290-000	4
028812-000	1	065291-000	4
028815-000	2	065292-000	4
028816-000	2	065293-000	4
028817-000	2	065295-000	2
028818-000	2	065296-000	2
028819-000	1, 2	065297-000	2
028820-000	2	065298-000	2
028821-000	2	065299-000	2
028822-000	2	065301-000	3
028823-000	2	065302-000	3
028828-000	2	065303-000	3, 6
028829-000	2	065304-000	6
028831-000	6	065356-000	1
028832-000	2	065357-000	6
028856-000	2	065359-000	5
028859-000	2	065360-000	5
028860-000	2	065361-000	5
028861-000	2	065362-000	5
028862-000	2	066276-000	1
028864-000	2	066277-000	1
028866-000	5	066278-000	4
028867-000	2	066279-000	3
028868-000	2	066280-000	3
028869-000	2	070510-000	1
		PM100029	1



PM100039	1	PM120076	2
PM100041	1	PM120092	2
PM100044	1	PM120146	2
PM100045	1	PM120148	2
PM100049	1		
PM100051	1		
PM100059	3		
PM100061	3		
PM110023	6		
PM110024	6		
PM110025	6		
PM110027	4		
PM110028	4		
PM110039	2		
PM110040	2		
PM110042	2		
PM110046	2		
PM110048	2		
PM110049	2		
PM110055	5		
PM110056	5		
PM110061	2		
PM110062	5		
PM110063	5		
PM120003	2		
PM120005	2		
PM120021	4		
PM120030	2		
PM120033	4, 5		
PM120042	6		
PM120043	6		
PM120044	4		
PM120045	4		
PM120046	4		
PM120052	2		
PM120053	2		
PM120060	2		
PM120061	2		
PM120062	2		
PM120069	6		
PM120073	6		