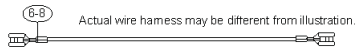
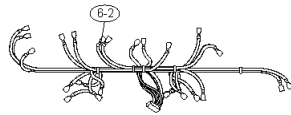


CVMOS201SSY

CVMOS201SSY Wiring	1
CVMOS201SSY Miscellaneous	2
CVMOS201SSY Door Assy	3
CVMOS201SSY Control Panel	4
CVMOS201SSY Cabinet Parts	5
Appendix A:Pages Index	A
Appendix B:Parts Index	B

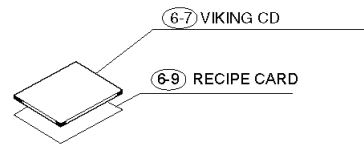
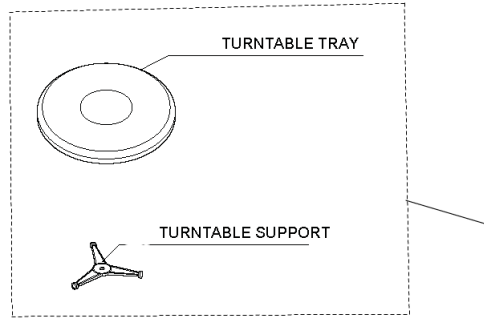
CVMOS201SSY Wiring





Item	Part No.	Name	Qty	Uom	NOTES
1	065223-000	Main wire harness	1	EA	
Not Shown	NOTE	(BEFORE SERIAL NUMBERS C21SSA, C21BKA, C21WHA)		EA	
1	067607-000	Main wire harness	1	EA	
Not Shown	NOTE	(ON OR AFTER SERIAL NUMBERS C21SSA, C21BKA, C21WHA)		EA	
2	028796-000	HIGH VOLTAGE WIRE A	1	EA	

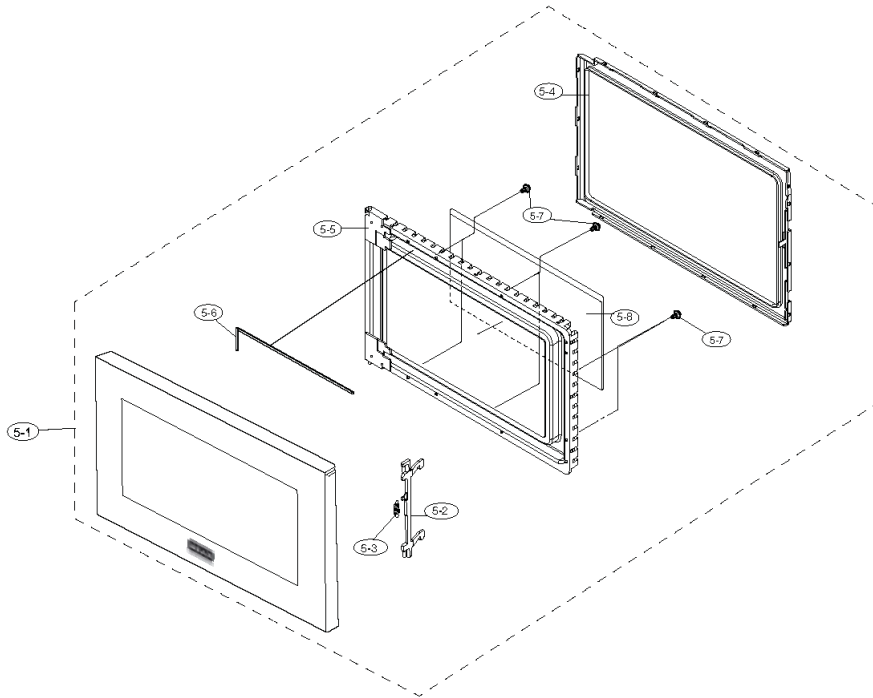
CVMOS201SSY Miscellaneous





Item	Part No.	Name	Qty	Uom	NOTES
1	077696-000	TURNTABLE TRAY AND SUPPORT KIT	1	EA	
2	Download Online	USE AND CARE MANUAL	1	EA	
3	PM120035	RECIPE CARD TCADUB010MRR0	1	EA	Not available online / Call for pricing and availability

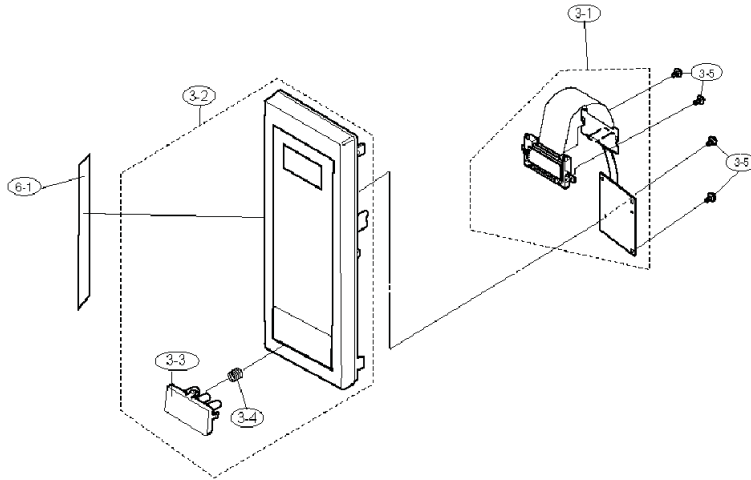
CVMOS201SSY Door Assy





Item	Part No.	Name	Qty	Uom	NOTES
1	067610-000	Door assembly (CVMOS201SSY)	1	EA	
1	067611-000	Door assembly (CVMOS201WHY)	1	EA	
1	067612-000	Door assembly (CVMOS201BKY)	1	EA	
2	PM120007	LATCH SPRING	1	EA	
3	022272-000	LATCH HEAD	1	EA	
4	PM120032	DOOR CUSHION PCUSUB058MRP0	1	EA	
5	PM110005	INNER DOOR PANEL	1	EA	
6	PM120016	SEALER FILM	1	EA	
7	022383-000	SCREW	6	EA	
8	PM110008	CHOKE COVER	1	EA	

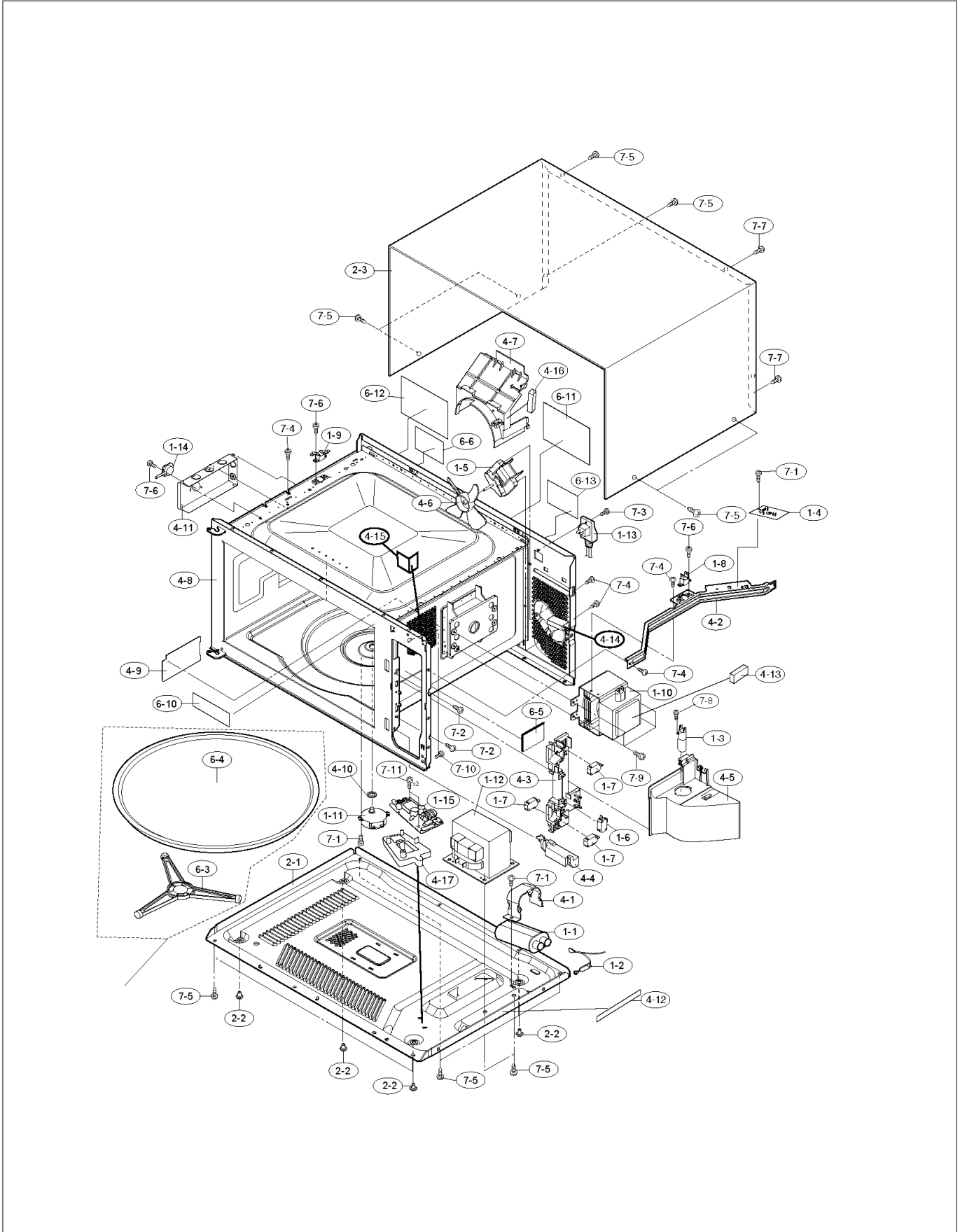
CVMOS201SSY Control Panel





Item	Part No.	Name	Qty	Uom	NOTES
1	022383-000	SCREW	4	EA	
2	065193-000	Control unit	1	EA	
Not Shown	NOTE	(BEFORE SERIAL NUMBERS C21SSA, C21BKA, C21WHA)		EA	
2	067606-000	Control unit	1	EA	
Not Shown	NOTE	(ON OR AFTER SERIAL NUMBERS C21SSA, C21BKA, C21WHA)		EA	
3	028730-000	CONTROL PANEL FRAME WITH KEY UNIT (VMOS201SS)	1	EA	
3	001968-006	CONTROL PANEL FRAME W/KEY UNIT - WH	1	EA	NO LONGER AVAILABLE
3	028744-000	CONTROL PANEL FRAME WITH KEY UNIT (VMOS201BK)	1	EA	
4	065218-000	Open button	1	EA	
5	PM120044	OPEN BUTTON SPRING	1	EA	
6	PM120021	USER CAUTION LABEL	1	EA	NO LONGER AVAILABLE

CVMOS201SSY Cabinet Parts



Item	Part No.	Name	Qty	Uom	NOTES
1	PM120159	SCREW	19	EA	
2	PM120005	SCREW	2	EA	
3	063186-000	SCREW	4	EA	
4	065213-000	Noise filter	1	EA	
5	028719-000	SCREW : 3MM X 8MM	3	EA	
6	065215-000	C/T fuse	1	EA	
7	PM120148	SCREW : 3MM X 14MM	4	EA	NO LONGER AVAILABLE, Not available online / Call for pricing and availability
8	028759-000	CHASSIS SUPPORT	1	EA	
9	028726-000	OUTER CASE CABINET	1	EA	
10	065220-000	Fan duct	1	EA	
11	028756-000	FAN DUCT CUSHION	1	EA	
12	065226-000	Built-in/height label	1	EA	
13	028757-000	HWC CAUTION LABEL	1	EA	
14	019110-000	SCREW 4MM X 12MM	1	EA	
15	PM100002	POWER CORD	1	EA	
16	022237-000	NHW CAUTION LABEL	1	EA	Not available online / Call for pricing and availability
17	065225-000	DHHS/Screw caution label	1	EA	
18	065214-000	Fan motor	1	EA	
19	065219-000	Fan blade	1	EA	
20	PM100017	CAVITY TEMPERATURE FUSE 150+C	1	EA	
21	019066-000	AH SENSOR	1	EA	
Not Shown	NOTE	(BEFORE SERIAL NUMBERS C21SSA, C21BKA, C21WHA)		EA	
21	067605-000	AH sensor	1	EA	
Not Shown	NOTE	(ON OR AFTER SERIAL NUMBERS C21SSA, C21BKA, C21WHA)		EA	
22	028753-000	SENSOR DUCT	1	EA	
23	N/A	Oven cavity (Not a replaceable part)	1	EA	
24	028768-000	WAVEGUIDE COVER	1	EA	

Item	Part No.	Name	Qty	Uom	NOTES
25	PM120036	MENU LABEL	1	EA	Not available online / Call for pricing and availability
26	028754-000	C/P CAVITY CUSHION	1	EA	
27	028758-000	FAN MOTOR CUSHION	1	EA	
28	019080-000	MAGNETRON	1	EA	
29	028760-000	MAG CUSHION	1	EA	
30	PM120159	SCREW	1	EA	
31	PM100065	LIGHT BULB	1	EA	
32	028761-000	MAGNETRON DUCT	1	EA	
33	065224-000	Monitor caution label	1	EA	
34	PM120003	SCREW	3	EA	
35	028765-000	SCREW	1	EA	
36	019082-000	POWER TRANSFORMER	1	EA	
37	057735-000	LATCH HOOK	1	EA	
38	062583-000	SECONDARY/THIRD/STOP SWITCH	3	EA	
39	028721-000	SCREW	4	EA	
40	063005-000	SWITCH	1	EA	
41	022262-000	SCREW; 3MM X 10MM	2	EA	
42	028725-000	TURNTABLE MOTOR PACKING	1	EA	
43	PM100069	TURNTABLE MOTOR	1	EA	
44	065174-000	Switching power supply	1	EA	
45	065221-000	PWB holder	1	EA	
46	PM120006	SWITCH LEVER	1	EA	
47	028724-000	H.V. CAPACITOR BAND	1	EA	
48	028723-000	HIGH VOLTAGE CAPACITOR	1	EA	
49	065212-000	High voltage rectifier assembly	1	EA	
50	028727-000	BASEPLATE CUSHION	1	EA	
51	N/A	Turntable tray	1	EA	
Not Shown	NOTE	(ORDER ITEM 55)		EA	
52	N/A	TURNTABLE SUPPORT	1	EA	
Not Shown	NOTE	(ORDER ITEM 55)		EA	



Item	Part No.	Name	Qty	Uom	NOTES
53	065216-000	Base plate	1	EA	
54	028728-000	FOOT	4	EA	
55	077696-000	TURNTABLE TRAY AND SUPPORT KIT	1	EA	



Appendix A:Pages Index

CVMOS201SSY Cabinet Parts	5
CVMOS201SSY Control Panel	4
CVMOS201SSY Door Assy	3
CVMOS201SSY Miscellaneous	2
CVMOS201SSY Wiring	1



Appendix B:Parts Index

001968-006	4	065216-000	5
019066-000	5	065218-000	4
019080-000	5	065219-000	5
019082-000	5	065220-000	5
019110-000	5	065221-000	5
022237-000	5	065223-000	1
022262-000	5	065224-000	5
022272-000	3	065225-000	5
022383-000	3, 4	065226-000	5
028719-000	5	067605-000	5
028721-000	5	067606-000	4
028723-000	5	067607-000	1
028724-000	5	067610-000	3
028725-000	5	067611-000	3
028726-000	5	067612-000	3
028727-000	5	077696-000	2, 5
028728-000	5	Download Online	2
028730-000	4	PM100002	5
028744-000	4	PM100017	5
028753-000	5	PM100065	5
028754-000	5	PM100069	5
028756-000	5	PM110005	3
028757-000	5	PM110008	3
028758-000	5	PM120003	5
028759-000	5	PM120005	5
028760-000	5	PM120006	5
028761-000	5	PM120007	3
028765-000	5	PM120016	3
028768-000	5	PM120021	4
028796-000	1	PM120032	3
057735-000	5	PM120035	2
062583-000	5	PM120036	5
063005-000	5	PM120044	4
063186-000	5	PM120148	5
065174-000	5	PM120159	5, 5
065193-000	4		
065212-000	5		
065213-000	5		
065214-000	5		
065215-000	5		