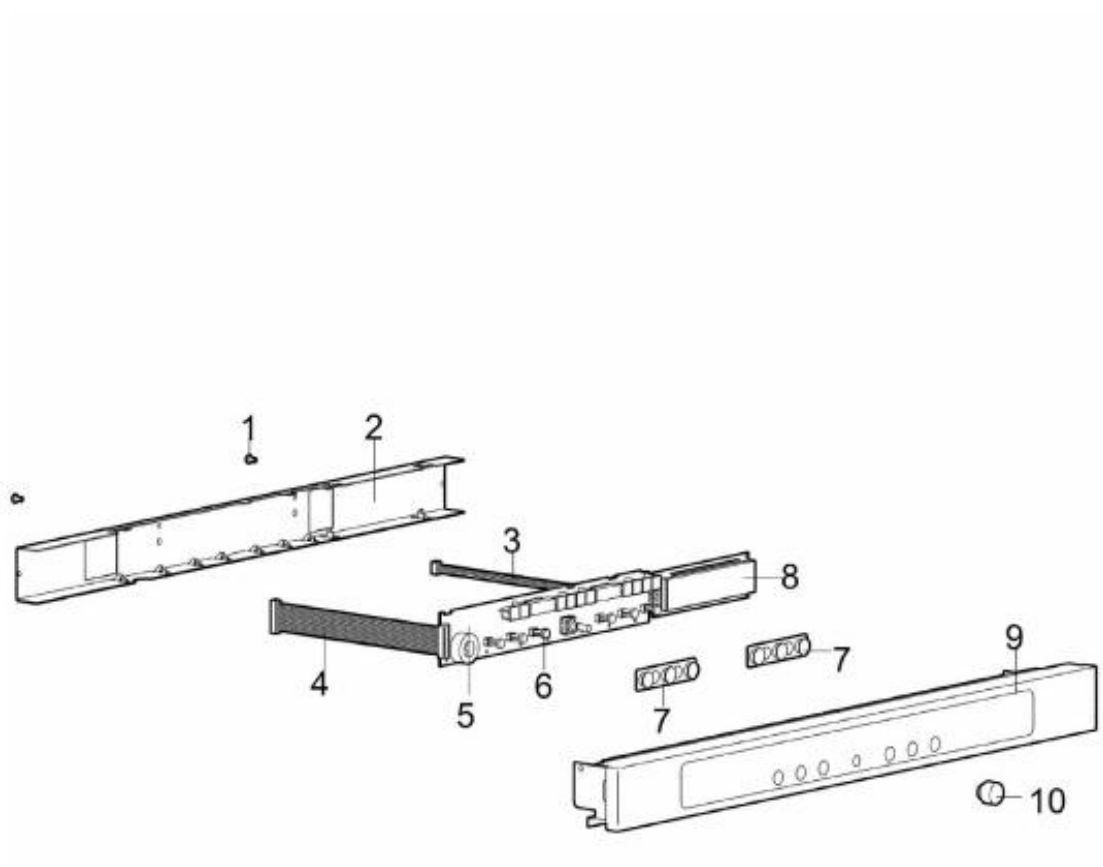
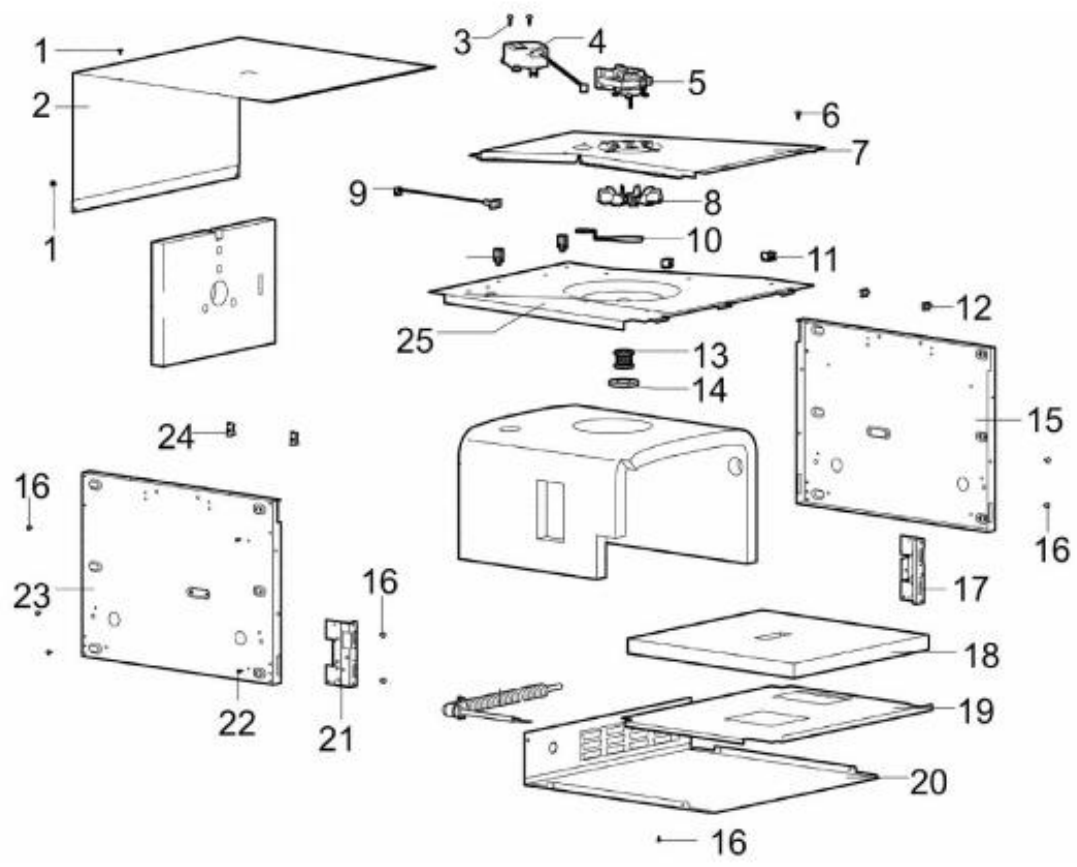


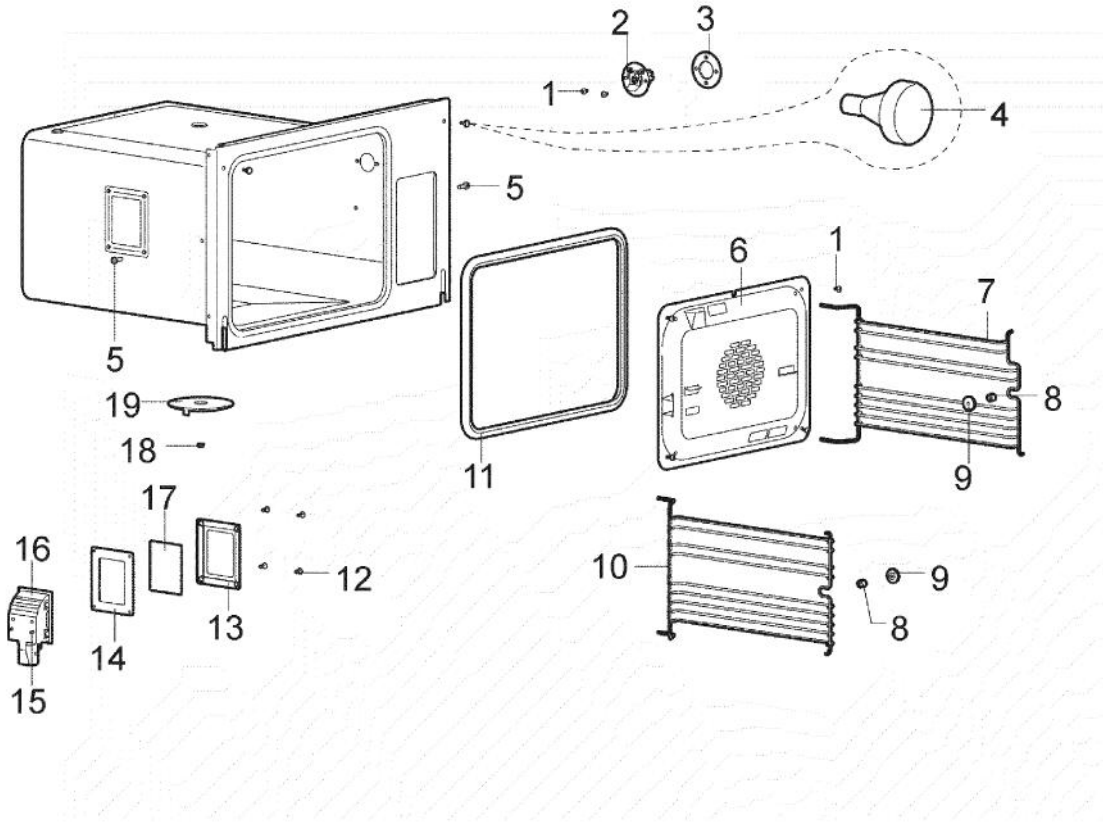
Ref #	Part Number	Qty.	Description
1	001651-000		LATERAL HOLDER K2.9499
1A	000819-000		FASTENING SCREW SET,ZN PL LIGHT-COLORED APPL - K0...
2	001592-000		CONDENSATE CONDUIT CST K2.4548



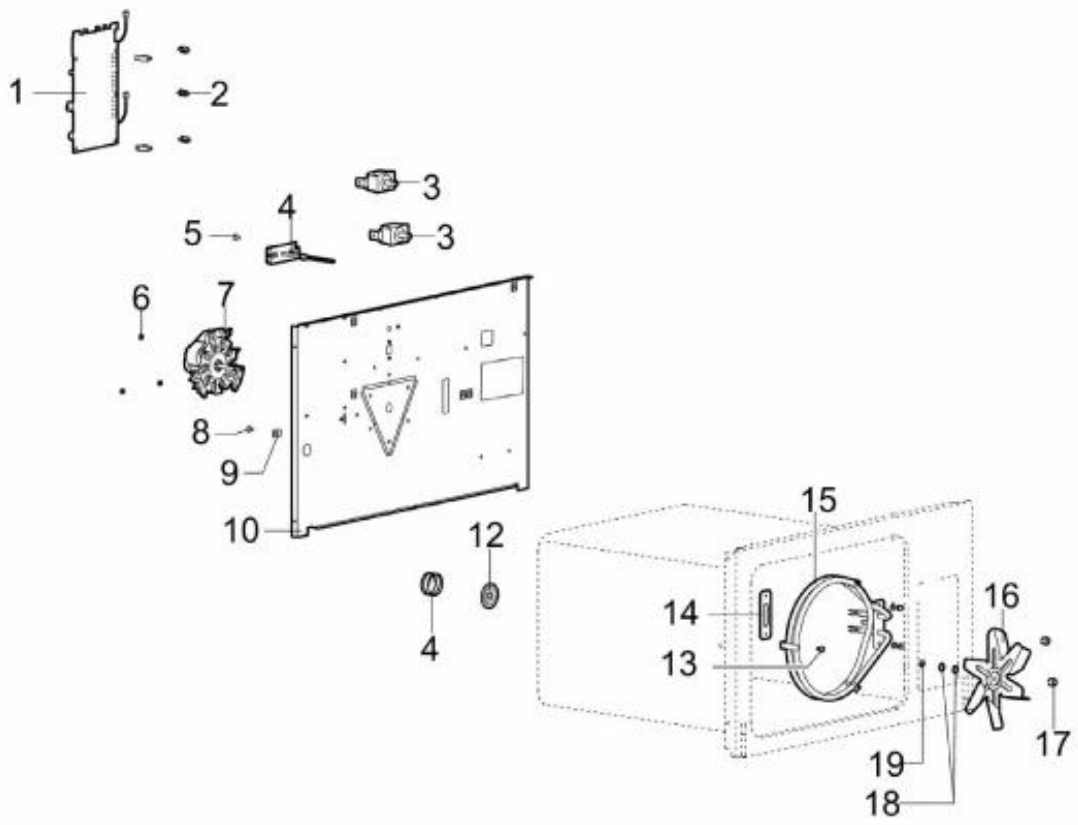
Ref #	Part Number	Qty.	Description
1	001656-000		HEXALB SELF-TAP SCREW ST N25.010
2	001686-000		BRKT OPERATING PNL CST/ST K2.5034
3	001600-000		6 - POLE RIBBON CABLE K2.8445
4	001603-000		RIBBON CABLE, COMPLETE W/CLAMP K2.8454
5	001628-000		OPERATING PANEL, CST K2.9350
6	001556-000		KNOB STEM - K1.6250
7	001557-000		BUTTON MAT, SET OF 3, SILICON RUBBER - K1.6251
8	001637-000		VFD MODLE, 2X24 CHARACS W/COLOR FILTER -K2.9409
9	001682-000		OPERATING PNL, PASTED K2.9451
10	001555-000		ADJUSTING KNOB. COMPL W/D-4.8MM SHAFT - K1.6247



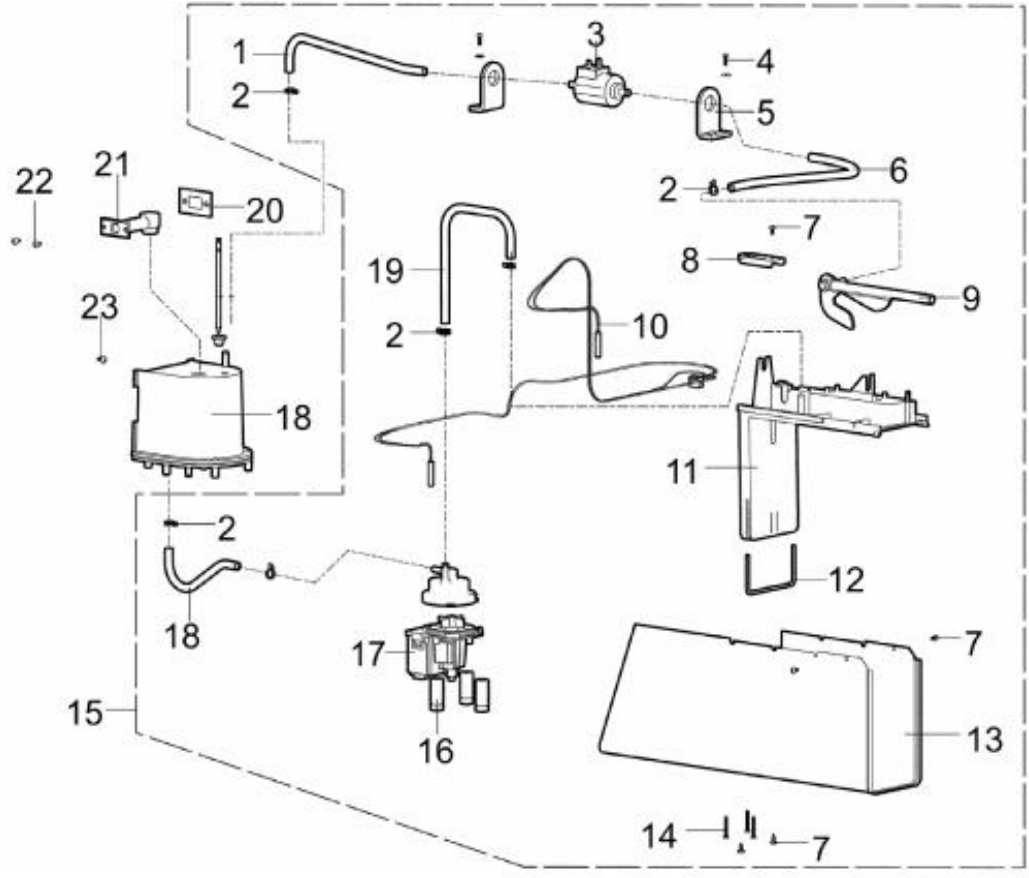
Ref #	Part Number	Qty.	Description
1	001539-000		X-REC PAN SCREW ST ZN-PLT 31.2121.13
2	001632-000		COVER PLATE, TOP K2.9404
3	001660-000		HEXALB SELF-TAP SCREW A2 4.2X16 - P10.024
4	001584-000		LIMITER BOSCH ACTUATOR FOR USE W/SLIDE VALVE K2.4...
5	001636-000		AIR VENTILATOR UL - K2.9408
6	001662-000		HEXALB SELF-TAP SCREW, A2 4.2X9.5 - P10.027
7	001599-000		AIR CONDUCTION PLATE, CURVED CST-SL K2.6904
8	001554-000		VENTILATOR WHEEL, D100 - K0.5206
9	001576-000		TEMPERATURE SENSOR NTC K2.3815
10	001577-000		SLIDE VALVE K2.3819
11	001671-000		CABLE CLAMP, SMALL W/LONG SLOT P50.564
12	001668-000		LOCKING CABLE CLAMP P50.557
13	001581-000		SILICON CONNECTION, COMPL SLEEVE INSIDE ABOVE K2...
14	002053-000		EXTRACTED AIR GASKET - COMPLETE
15	001642-000		SIDE WALL, RIGHT K2.9449
16	001663-000		HEXALB SELF-TAP, SELF-LOC 4.2X9.5 - P10.032
17	001594-000		DOOR HINGE, RIGHT, ALL MODELS K2.4588
18	001582-000		INSULATION, BOTTOM OF SLEEVE CST-SL K2.3894
19	001638-000		SUPPORT PLATE K2.9431
20	001630-000		COVER PLATE, BTM K2.9403
21	001593-000		DOOR HINGE, LEFT, ALL MODELS K2.4587
22	001666-000		CTSNK SELF-TAP SELF-LOCK 4.2X13 - P10.056
23	001641-000		SIDE WALL, LEFT K2.9448
24	001670-000		RIBBON CABLE CLAMP, LOCKING P50.562
25	001567-000		INSIDE METAL PLATE, ABOVE K2.3710



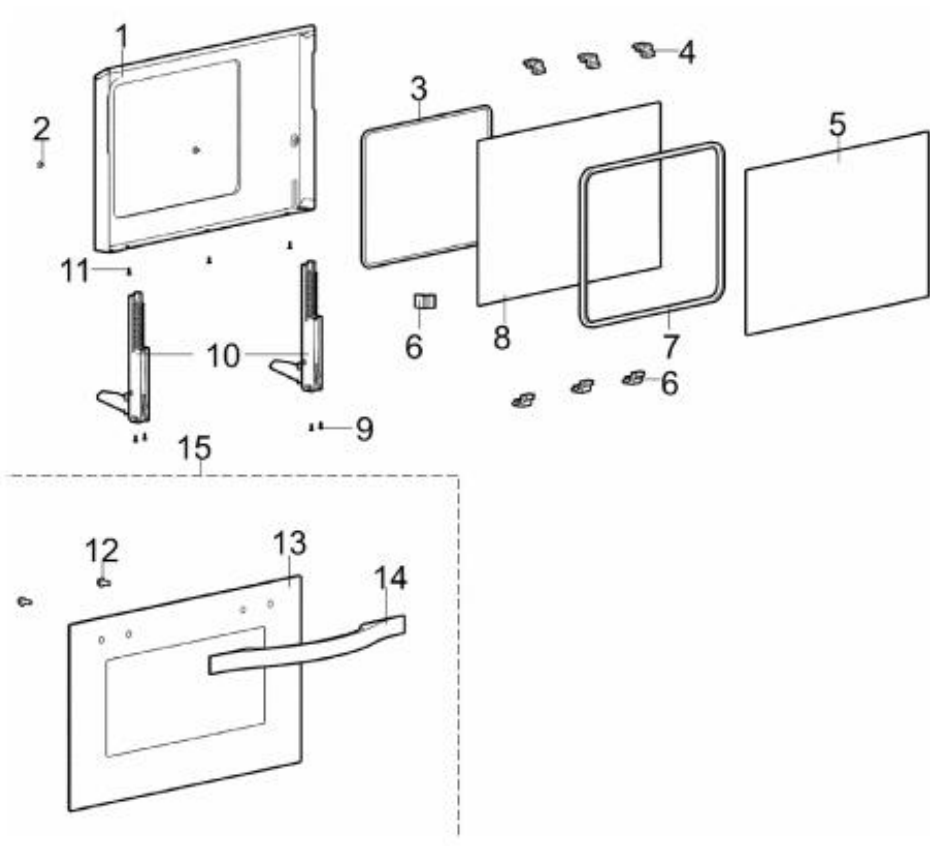
Ref #	Part Number	Qty.	Description
1	001662-000		HEXALB SELF-TAP SCREW, A2 4.2X9.5 - P10.027
2	000820-000		SOCKET FOR FOOD SENSOR, PREFABRICATED, MAX.350C...
3	000821-000		FLANGE GASKET COMBI-STEAM - K2.3080
4	000812-000		STOP BUFFER W/PLUG - K2.5811
5	001667-000		HEXALB PAN HEAD SCREW A2 M5X16 - P10.300
6	001535-000		HEXAGON NUT 0,8D ST - 25.3161.62
7	001573-000		SHELF GUIDES, RIGHT K2.3791
8	001580-000		SPACER M5 K2.3824
9	001658-000		LOW KNURLED NUTS N40.750
10	001572-000		SHELF GUIDES, LEFT K2.3790
11	000813-000		DOOR GASKET, VAR.2 - K2.4206
12	001657-000		HEXALB CTRS NK SELF-TAP SCREW 4,2X13 N25.350
13	001606-000		FRAME OVEN LIGHT K2.9113
14	000826-000		GASKET OVEN LIGHT COMBI-STEAM K2.9112
15	001654-000		HEXALB THREAD FORMING SCR M4X6 - N18.452
16	000824-000		LIGHT CASING, 25W LIGHT BULB - K0.9008
17	000825-000		SAFETY GLASS OVEN LIGHT COMBI STEAM - K2.9111
18	001540-000		SELF - LOCKING NUT W/SERRATED BEARING M5 - 31.2511....
19	000823-000		CS SET - BOTTOM HEATER CST-SL / ST-S K2.5520



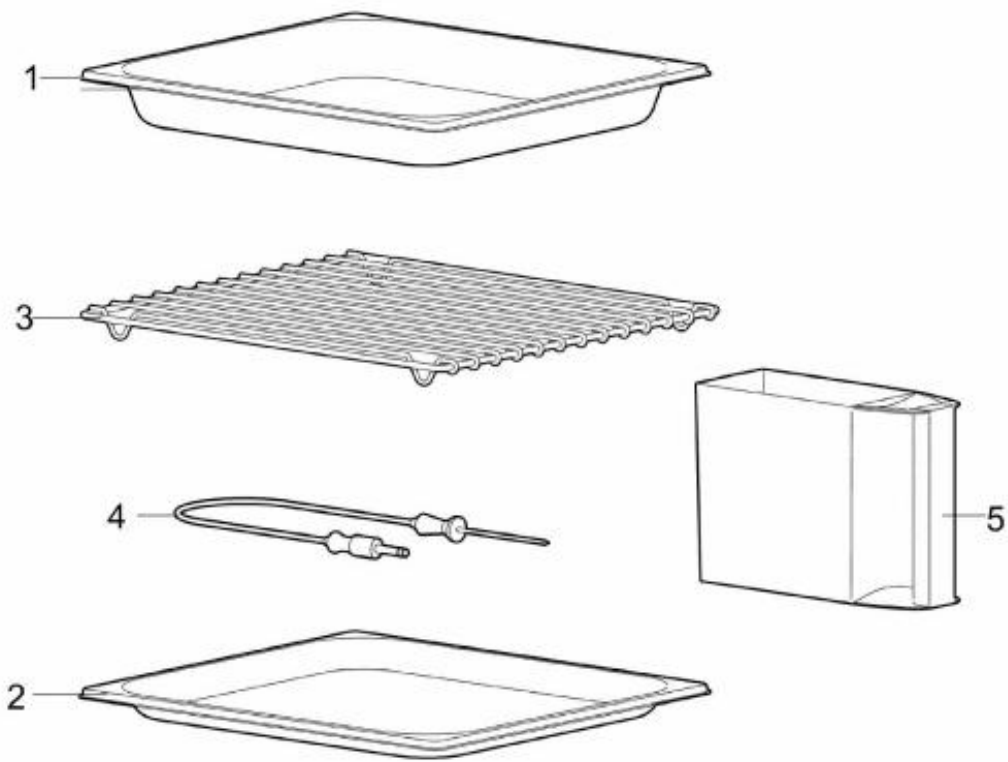
Ref #	Part Number	Qty.	Description
1	001627-000		PROCESSOR, COMBI STEAM SL K2.93301
2	002039-000		CIRCUIT BOARD HOLDER
3	001672-000		THERMO CIRCUIT BREAKER P59.071
4	001673-000		TEMPERATURE SENSOR PT500 W/CONNECTOR P59.066
5	001663-000		HEXALB SELF-TAP, SELF-LOC 4.2X9.5 - P10.032
6	001535-000		HEXAGON NUT 0,8D ST - 25.3161.62
7	001634-000		HOT-AIR FAN UL VERSION - K2.9406
8	001655-000		HEXALB THREAD FORMING SCR M5X12, SELF LOCK N18.454
9	001669-000		L - CLAMP ANGLE W3.5651
10	001597-000		INSIDE BACK WALL CST K2.5191
11	001561-000		PRESSURE SPRING - K2.3159
12	001564-000		SHAFT GASKET COMPLETE, FOR HOT AIR K2.3219
13	001662-000		HEXALB SELF-TAP SCREW, A2 4.2X9.5 - P10.027
14	001680-000		GASKET HOT AIR HEATER K2.3232
15	000815-000		HOT AIR HEATER 1900 WATT/230V - K0.0489
16	001541-000		HOT AIR FAN BLADES, CRNI - 33.5955.40
17	001550-000		HEXAGON NUT A2,M6 LEFT THREAD - K0.3360
18	001553-000		SHIM RING 6/11X1 , A2 - K0.3366
19	001533-000		TAB WASHER 17/7 MAG 5/11, 3X0,7 DIN6799 - 25.2643.16



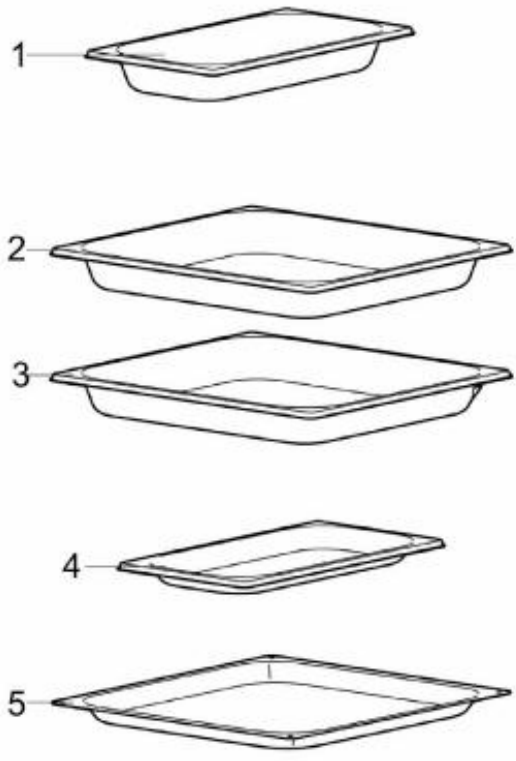
Ref #	Part Number	Qty.	Description
1	002066-000		SILICONE HOSE - BRAIDED
2	002243-000		HOSE CLAMP
3	001635-000		INLET PUMP UL-VERSION K2.9407
4	002241-000		SCREW, HEXALB PAN HEAD 3.5 X 12 ZINC
5	002055-000		VIBRATION ABSORBING ELEMENT
6	002069-000		SILICONE HOSE D6 X 290
7	002240-000		SCREW, HEXALB PAN HEAD 3.5 X 8 ZINC
8	002060-000		CLAMP SPRING
9	001598-000		SWIVEL ARM, COMPLETE W/FILTER K2.5285
10	001602-000		REED SWITCH COMPLETE K2.8250
11	002051-000		SUPPORT ANGLE
12	002058-000		GASKET HOSE D4X178
13	002059-000		SUPPORT BRACKET FOR WATER CONDUIT SYSTEM
14	002239-000		SCREW, HEXALB PAN HEAD 3.5X25 ZINC
15	001647-000		WATER CONDUIT SYSTEM, COMP., PRE-ASSY K2.9465
16	001570-000		VIBRATION ABSORBER K2.3741
17	001633-000		DRAIN PUMP UL-VERSION K2.9405
18	001646-000		BOILER COMPLETE PREFAB. K2.9464
19	002067-000		SILICONE HOSE D6 X 270
20	001569-000		PRESSING PLATE K2.3740
21	001568-000		STEAM HOSE - K2.3739
22	001661-000		HEXALB SELF-TAP SCREW A2 4,2X13 - P10.025
23	001663-000		HEXALB SELF-TAP, SELF-LOC 4.2X9.5 - P10.032



Ref #	Part Number	Qty.	Description
1	001595-000		INSIDE DOORS, COMPLETE COMBI-STEAM K2.4755
2	002299-000		SCREW, HEXALB FLAT HEAD M4 X 6
3	001565-000		SEALING PROFILE, PREFAB. COMBI-STEAM K2.3560
4	001588-000		SPACING PROFILE ABOVE PREFAB. GLASS DR KIT K2.4489
5	001586-000		INTERMEDIATE GLASS, PRINT CST K2.4482
6	001583-000		SPACING PROFILE BELOW K2.4302
7	001591-000		GASKET FRAME, COMPLETE COMBI-STEAM K2.4546
8	001590-000		INSIDE GLASS COMBI-STEAM K2.4545
9	001665-000		HEXALB. SELF-TAP SCREW 3.5X11, FLAT HEADED P10.050
10	001648-000		HINGE K2.9469
11	002230-000		SCREW, HEXALB SELF TAP SELF LOCK
12	002288-000		HEX SCREW, SELF LOCKING 1/4 X 5/8
13	001688-000		PRO-GLUED FRNT GLASS CS K2.94442
14	001681-000		DR HANDLE, 19.5 K2.9423
15	001685-000		PRE-ASSEMBLED DR CS K2.94572



Ref #	Part Number	Qty.	Description
1	SALES ITEM		WATER FILTER
2	SALES ITEM		WATER FILTER
3	SALES ITEM		WATER FILTER
4	001676-000		MEAT PROBE NTC 50KOHM,W/STRAIGHT GRIP P59.060
5	001559-000		WATER TANK COMPLETE COMBI-STEAM - K2.3086



Ref #	Part Number	Qty.	Description
1	SALES ITEM		WATER FILTER
2	SALES ITEM		WATER FILTER
3	SALES ITEM		WATER FILTER
4	SALES ITEM		WATER FILTER
5	SALES ITEM		WATER FILTER