

Ref #	Part Number	Qty.	Description
1	M0220957		SCREW, SHOLDER
2	G5096495		COVER-IM
3	D7813004		HARNESS-MOD IM VD7813004
4	12505401		ARM-IM SHUT OFF
5	G50911858		ICE MAKER ASM, SXS ND, AF
6	10526701		CLAMP-WIRE V10526701
7	12043006		LH CTR. HINGE ASSY
7A	12043004		RH CTR. HINGE ASSY
8	G50911810		PIVOT PLATE SVC. KIT (BM-LH)
8A	G50911809		PIVOT PLATE SVC. KIT (BM-RH)
9	M0226233		SUB TO PD920174 - 10 X 7/8 PHILLIPS SMA TRI LOBE SA
10	M0211018		SCREW-SM
11	12493901		SPACER, HINGE
12	12068402		SHIM, CTR HINGE
13	12068403		SHIM, CTR HINGE
14	G5096548		BOTTOM BASKET ASSY
15	12234601		BASKET-TOP FZ
16	G5096594		R BRACKET ASSY - RPLCS J9096618WH
17	G5096595		L BRACKET ASSY - RPLCS J9096619WH
18	40370P01		NYLON FLAT WASHER V40370P01
19	12193401		PAN-ICE
20	12055602		CLOSURE, DOOR
21	12055601		CLOSURE, DOOR
22	M0272803		WASHER-LOCK
23	M0321202		TIE-ELEC
24	M0202528		SCREW-MACH NO.
25	12088001		ROLLER-UP BSKT V12088001
26	M0238731		SCREW-SM
27	M0220928		SCREW, SHOULDER
28	M0220957		SCREW
29	12131902		SHIM, FZ BASKET
30	M0253258		SCREW, TF
31	12131901		SHIM, FZ BASKET
NI	B5720304		CLIP VB5720304
NI	M0210443		SCREW-E SM
NI	M0224416		SCREW-SM
NI	C9096579BK		SUB TO G5096604 - TOE GRILLE-12064306
NI	G5096604		36 TOE GRILLE ASSY REPL 12064406
NI	PC920071		DOOR CLOSURE CAM
NI	PC920050		HNGE TP RLW VCBB360RSS RE V12119503
NI	PC920052		HINGE TAP L LW REP V12119504
NI	PC920041		RC LOWER HINGE ASSY LH BTM MT
NI	PC920038		LOWER HINGE ASSY - DDBB 362R
32	PM910332		ACCESORY ASSY

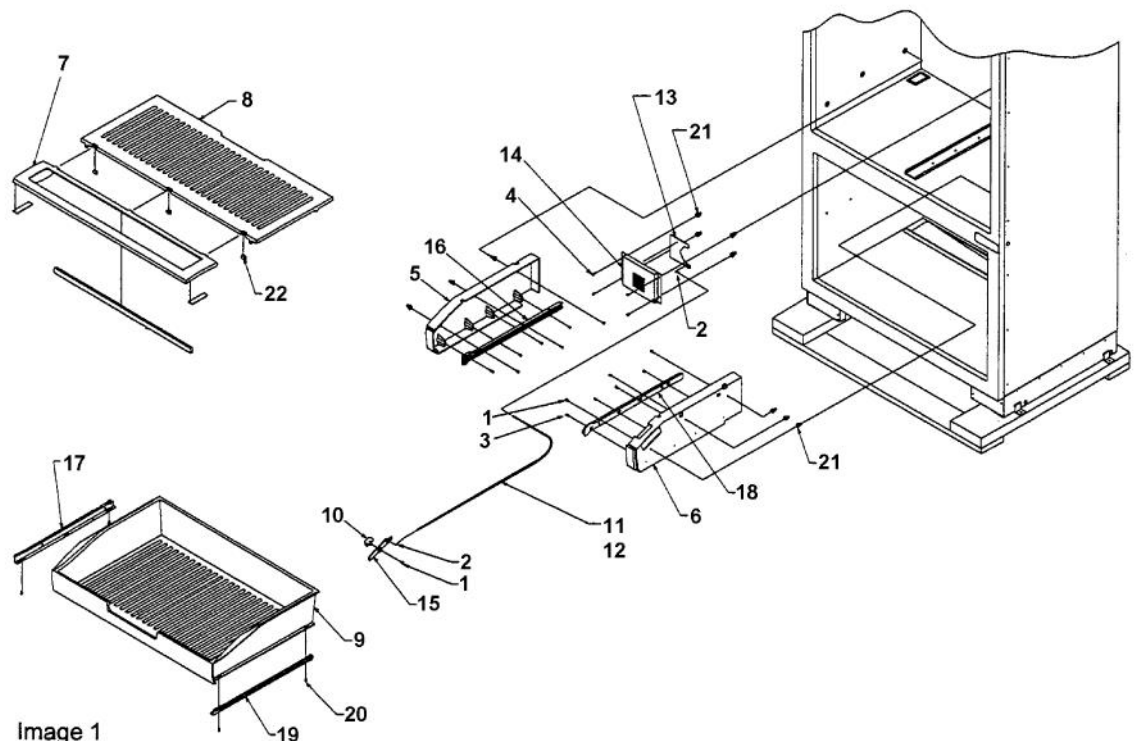
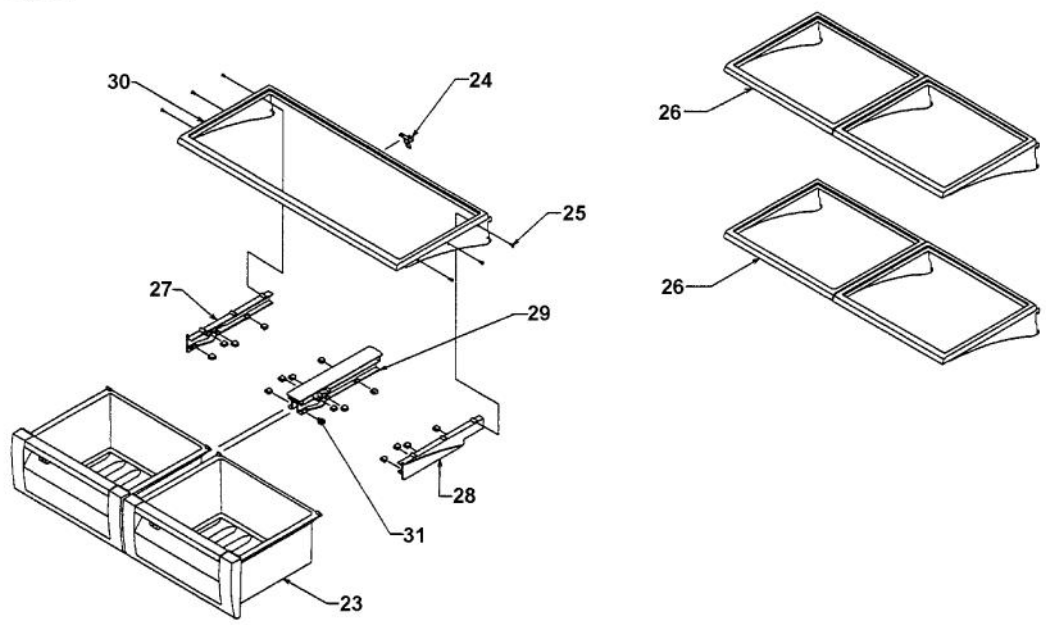


Image 1

Image 2



Ref #	Part Number	Qty.	Description
1	12021402		SHELF, CRISPER
2	G5096495		SCREW, SM
3	M0215318		SCREW-SM
4	M0238616		SCREW-SM
5	V12202601		SUPPORT-L DRAWER NO.
6	V12073003		SUPPORT-R DRAWER NO.
7	V12223207		SUB TO 000368-000 - DELI LID ASSY 36 BM
8	12223303		DELI TOP ASSY
9	V12073303		DRAWER-DELI 36 BM
10	V12073401		KNOB-DELI CONT
11	12073501		TUBE-PLASTIC
12	12073505		TUBE-PLASTIC
13	12073601		SLIDE-DELI CONT
14	V12073701		COVER-DELI CONT
15	V12070501		GLIDE-DELI KNOB NO.
16	12073901		GLIDE-L SUPPORT V12073901
17	12073902		GLIDE-L DRAWER V12073902 -
18	12073903		GLIDE-R SUPPORT V12073903
19	12073904		GLIDE-R DRAWER V12073904
20	M0224128		SCREW-SM
21	M0581001		GROMMET-SCREW
22	12486202		CLIP-DELI TOP 36 REPL V12486201
23	12056902		CRISPER PAN ASSY
24	12046701		CRISPER RAIL WELD
25	12493702		SCREW, SS SM
26	12021302		SHELF, REF
27	V12064501		GLIDE, LH CRISPER
28	V12064502		GLIDE, RH CRISPER
29	12064601		GLIDE, CTR CRISPER
30	12021402		CRISPER SHELF
31	12064701		PAD-GLIDE V12064701

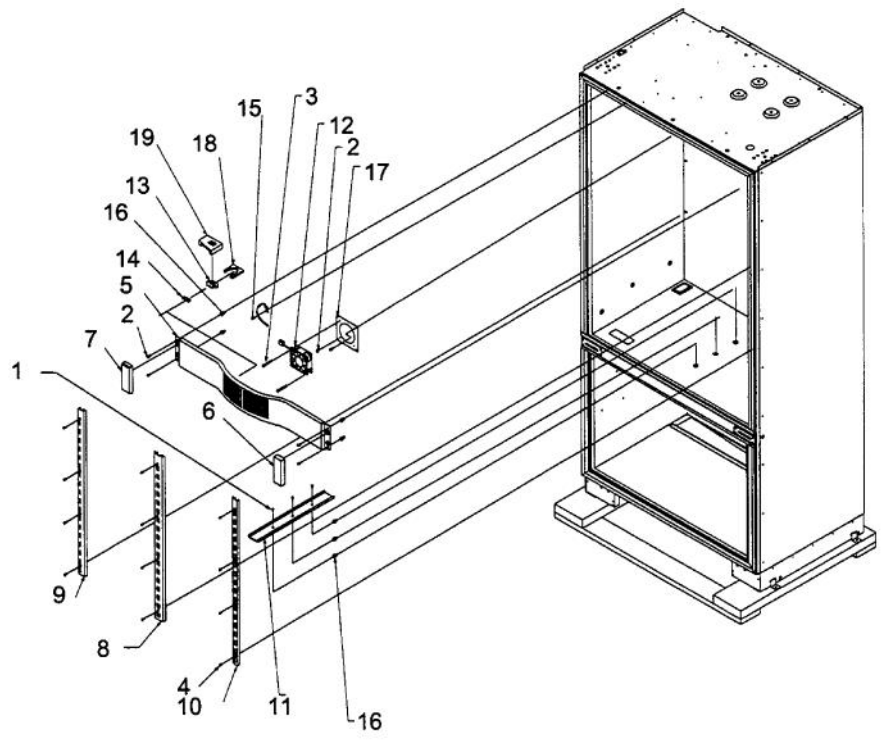
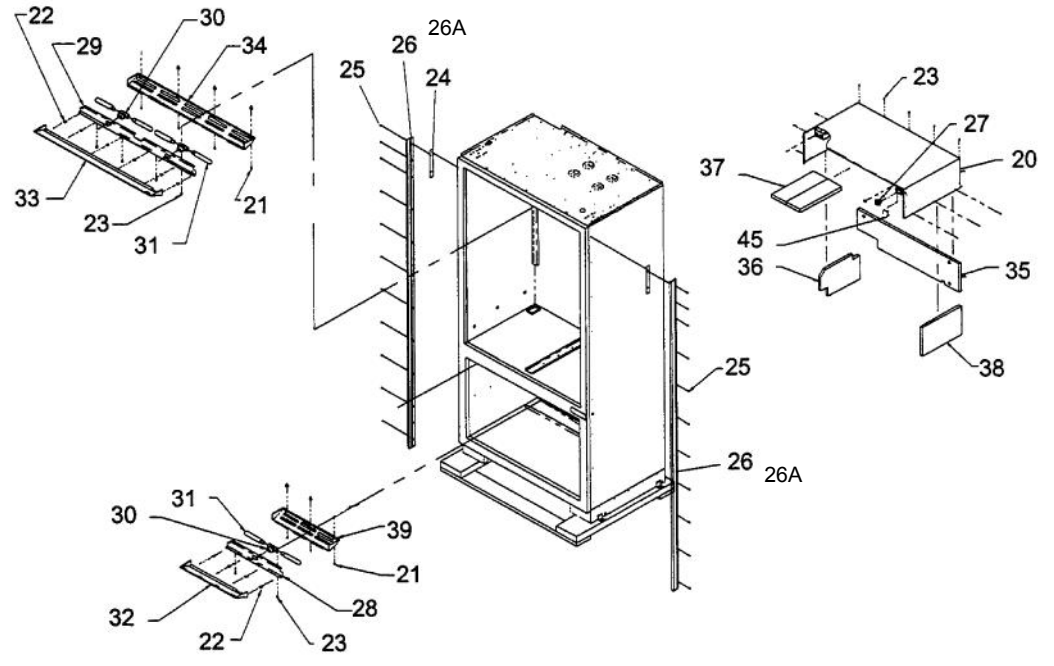
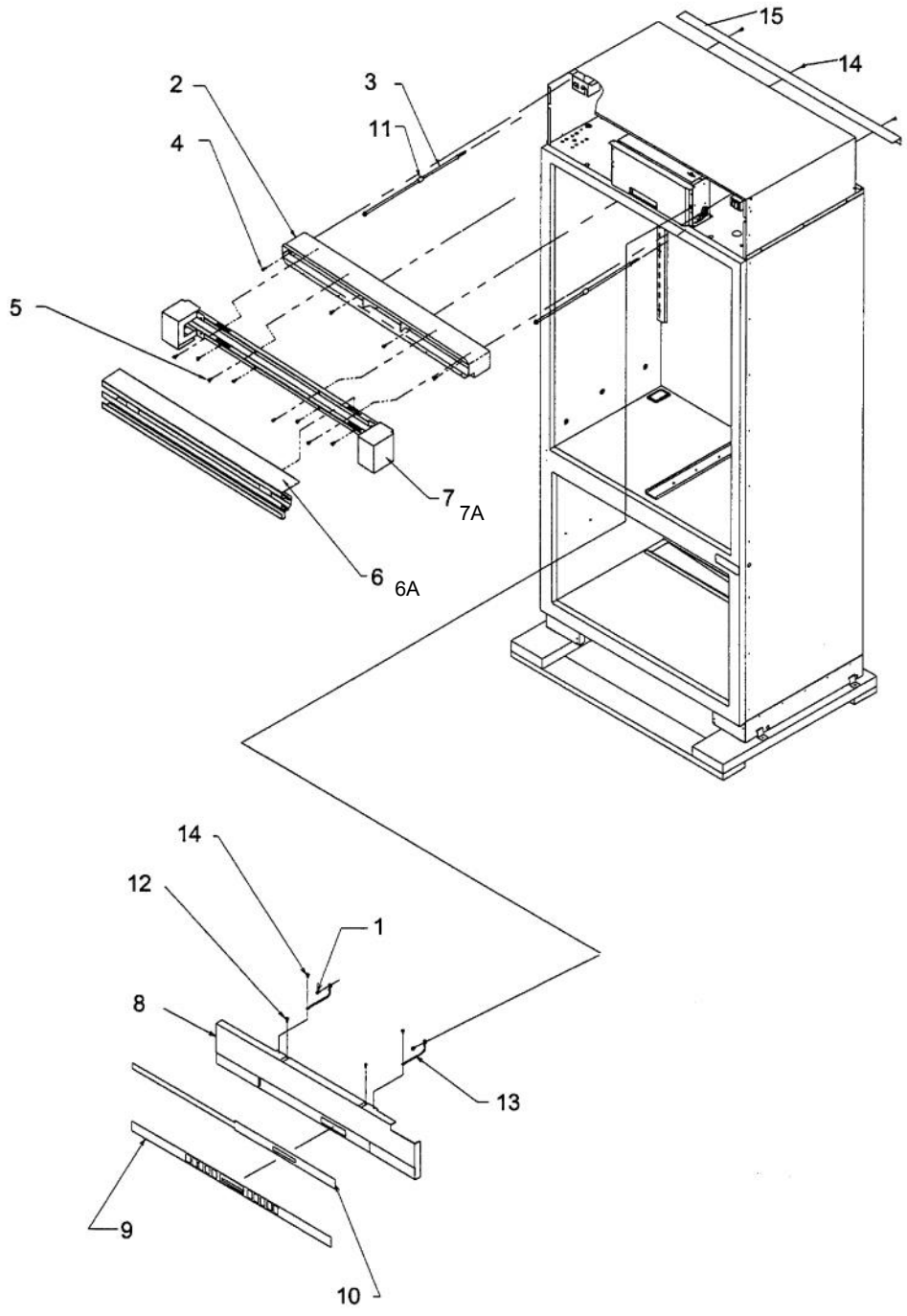


Image 1

Image 2



Ref #	Part Number	Qty.	Description
1	L2096581		SUB TO L2098310 - BRACKET, REF LIGHT
2	G5096495		SCREW, SM
3	M0218137		SCREW-SM
4	M0234005		SCREW-TF
5	12067401		FAN COVER
6	12070201		CAP-R FAN COVER V12070201
7	12070202		CAP-L FAN COVER V12070202
8	12071501		LADDER-CTR CANT V12071501
9	12071601		LADDER-L SIDE CANT V12071601
10	12071701		SUB TO PK020074 - LADDER-R SIDE CANT
11	12118901		TRACK-DELI DRAWER
12	12075003		MOTOR-REF FAN
13	C8983701		THERMISTOR
14	12090301		CLIP-S V12090301
15	M0232903		SCREW-SE
16	M0581001		GROMMET-SCREW
17	K2096475		PLATE-FAN MNT 12404701
18	12404901		GASKET-THERM V12404901
19	12406001		INSUL, THERM
20	G3096601		MC COVER WELD
21	M0238846		SCREW-SHLDR
22	M0108201		CLIP-S
23	M0238616		SCREW-SM
24	12135402		SHIM-CAB TRIM
25	M0210417		SCREW, SS SM
26	PM910069		TRIM, CABINET - RH
26A	PM910070		SUB TO PK920066 - TRIM CABINET L
27	12074801		SWITCH, POWER
28	L2096422		BRKT-FZ LIGHT 12055701
29	L2096581		SUB TO L2098310 - BRACKET, REF LIGHT
30	12096901		SOCKET-LIGHT
31	A3079001		LAMP - 40W
32	12074501		COVER-FZ LIGHT
33	12072001		COVER-REF LIGHT V12072001
34	12072801		LENS, REF LIGHT
35	12074401		INSUL-BACK MC CVR V12074401
36	12074601		INSUL-L MC CVR V12074601
37	12074701		INSUL-MC CVR V12074701
38	12074702		INSUL-R MC CVR V12074702
39	12034901		LENS, FZ LIGHT



Ref #	Part Number	Qty.	Description
1	M0224128		SCREW-SM
2	G5096495		AIR DUCT WELD, E CT
3	M0223603		SCREW-LAG
4	M0238616		SCREW-SM
5	M0211021		SCREW-SM
6	G3296926		GRILLE ASSY 48 EXTRUDED 36 L TRIM
6A	G3296927		GRILLE, ASSY - DDBB362R
7	V10942001		COVER-CONT PANEL RH
7A	V10942002		COVER, CONT. PANEL - LH
8	12071903		OVERLAY-KEYBOARD V12071903
9	12071801		SWITCH, KEYBOARD
10	12349301		BEARING-SLEEVE V12349301
11	M0224128		SCREW-SM
12	12064001		SUPP-CONT PANEL
13	A4539601		SUB TO PC040010 - RIVET-POP VA4539601
14	K2096588		SHIELD POWER CORD 12180502
NI	PM910105		SUB TO 12128102 - GRILLE EXTENSION 36 BM L
	PM910093		GRILLE EXTENSION 36 BM R - 12128101

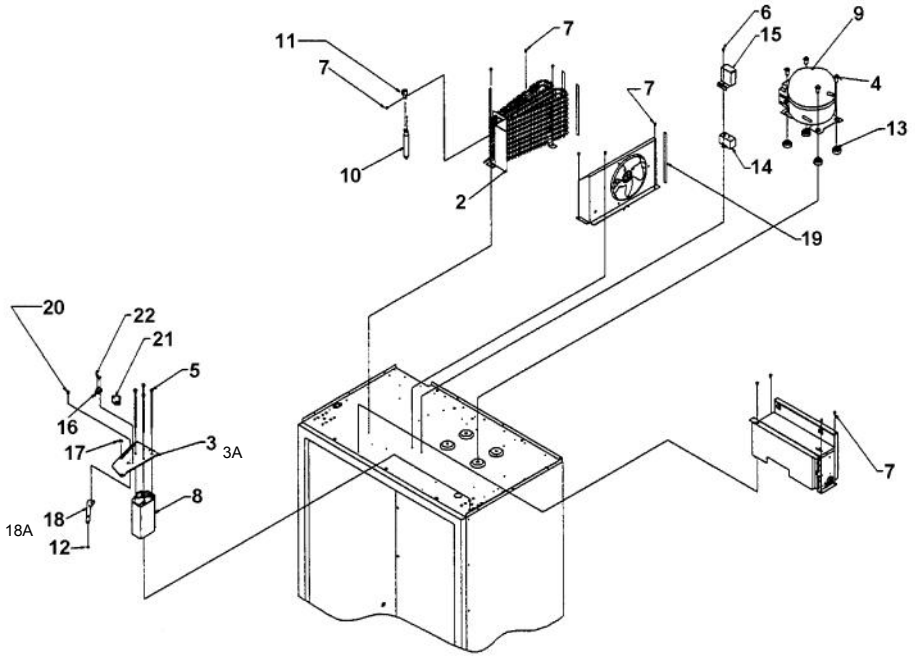
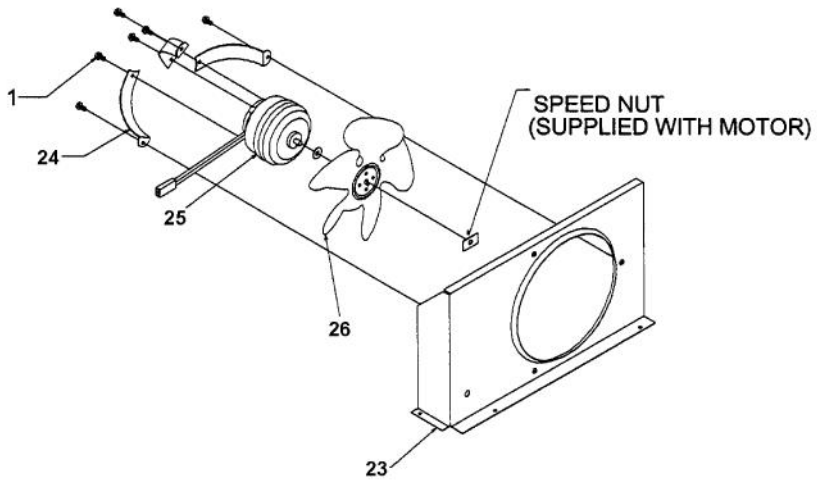
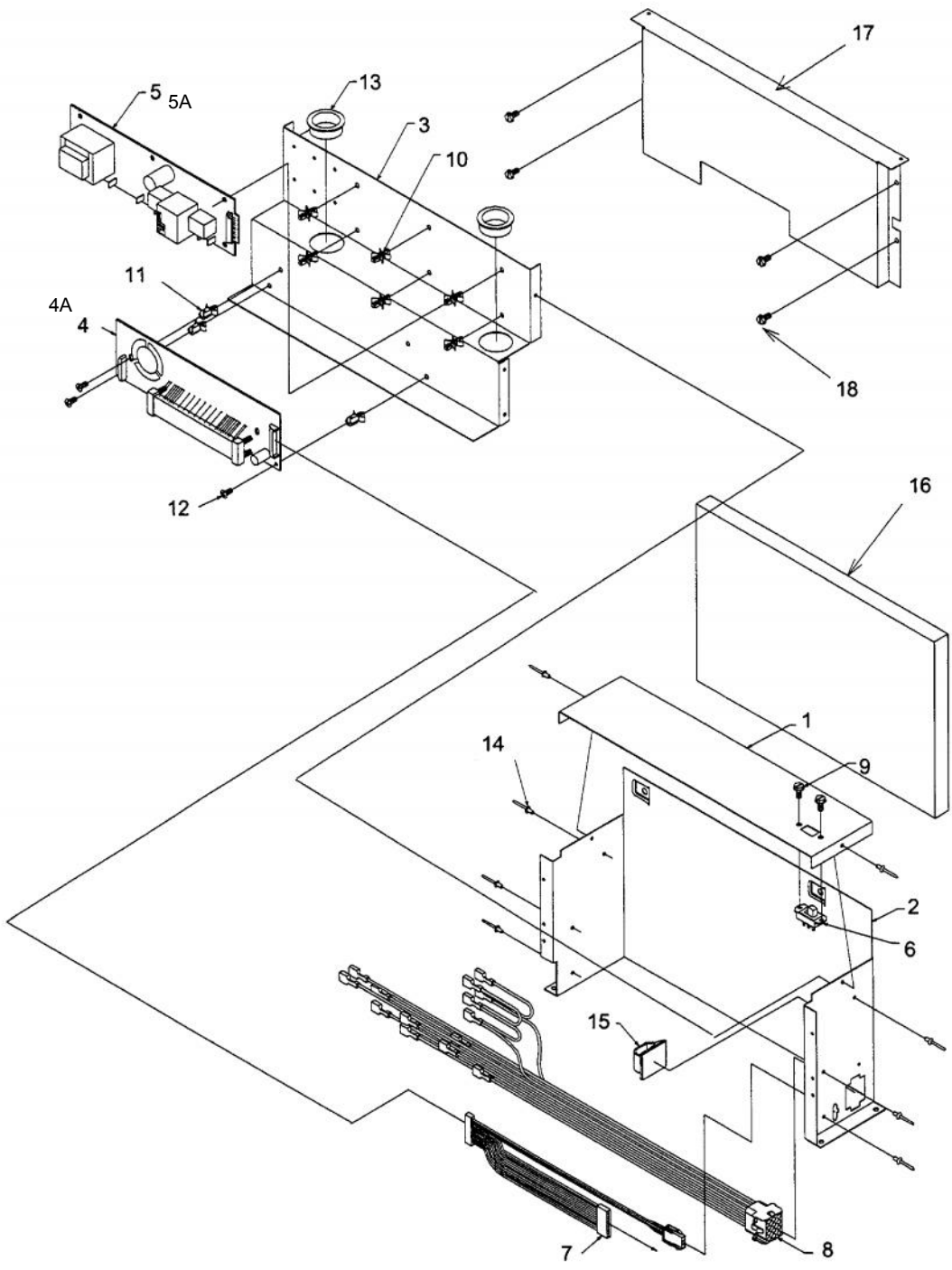


Image 1

Image 2



Ref #	Part Number	Qty.	Description
1	M0223816		SCREW-TR
2	G5096495		CONDENSER ASSEMBLY
3	PC920065		TOP HINGE ASSY(VCBB362LSS)
3A	PC920064		RIGHT TOP HINGE ASSEMBLY
4	M0221523		SCREW - SHLDR
5	M0206313		SCREW-MACH
6	M0238921		SCREW-SM
7	M0238616		SCREW-SM
8	12067901		EXTRSN-TOP HINGE V12067901
9	G5096341		COMPRESSOR ASSY (VCBB360/362)
10	10743201		DRIER, HI SIDE
11	10547001		CLIP-DRIER V10547001
12	40370P01		NYLON FLAT WASHER V40370P01
13	10835901		GROMMET RUBBER V10835901
14	C8931608		CAPACITOR
15	10266402		SHIELD-CAPACITOR GRN
16	12074904		SWITCH, LIGHT - DDBB362R
	12074906		NO LONGER AVAILABLE
17	12348701		BUMPER-DOOR STOP V12348701
18	PC920068		ARM DOOR STOP LH
18A	PC920066		ARM, DOOR STOP, RH
19	A3189370		GASKET-FOAM VA3189370
20	M0220942		SCREW-SHLDR
21	12140701		COVER-SWITCH V12140701
22	M0234005		SCREW-TF
23	K2196428		SHROUD, COND FAN
24	10582501		BRKT-COND MTR V10582501
25	10522103		MOTOR-PSC V10522103
26	B5742603		BLADE-FAN



Ref #	Part Number	Qty.	Description
1	K2096429		SUB TO K2098657 - TOP-CONT BOX 12090801
2	K2097709		BOX CONTROL
3	K2096430		BRKT-PC 12090901
4	G50911837		LOW VOLT / HIGH VOLT BOARD KIT (BEFORE 11/17/03)
4A	G50911826		LOW VOLTAGE BOARD KIT (AFTER 11/17/03)
5	G50911826		LOW VOLT / HIGH VOLT BOARD KIT
5A	PE970463		HIGH VOLTAGE BOARD (AFTER 11/17/03)
6	10544502		SWITCH-SLIDE GRN
7	PE970464		HARNESS LOW VOLT
8	12271701		HARNESS-HIGH VOLT V12271701
9	M0223816		SCREW-TR
10	M0585504		SUPPORT
11	M0585506		SUPPORT
12	M0217204		SCREW, SM
13	A4554817		BUSHING-SNAP VA4554817
14	A4539601		SUB TO PC040010 - RIVET-POP VA4539601
15	M0104106		CLIP-CORD VM0104106
16	12074703		INSUL-CONT BOX V12074703
17	K2096431		FRONT-CONT PANEL 12091001
18	M0238616		SCREW-SM
NI	M0288120		NUT-SPEED, VM0288120

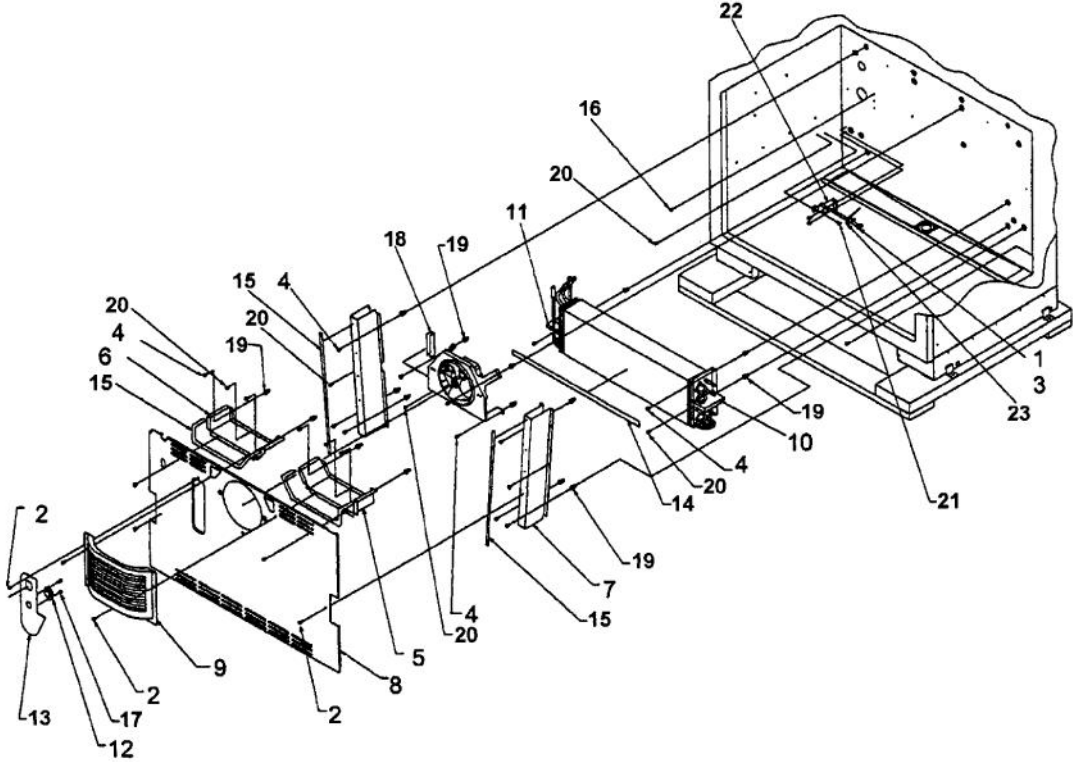


Image 1

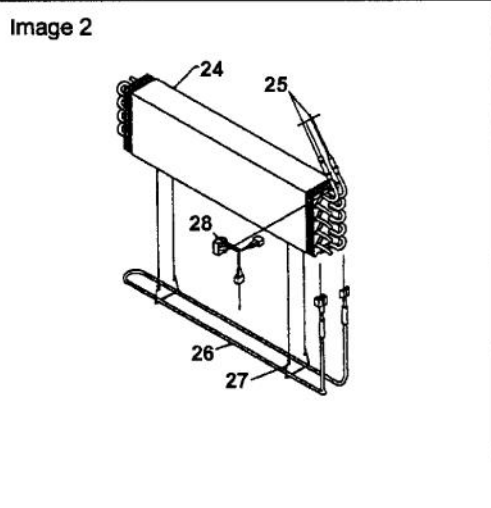


Image 2

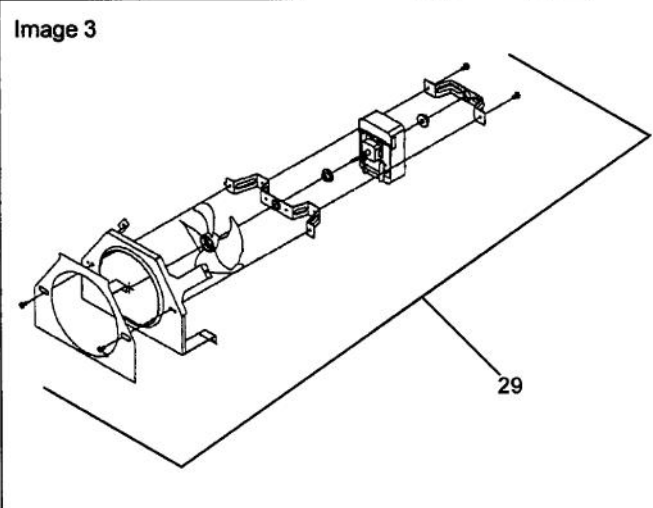
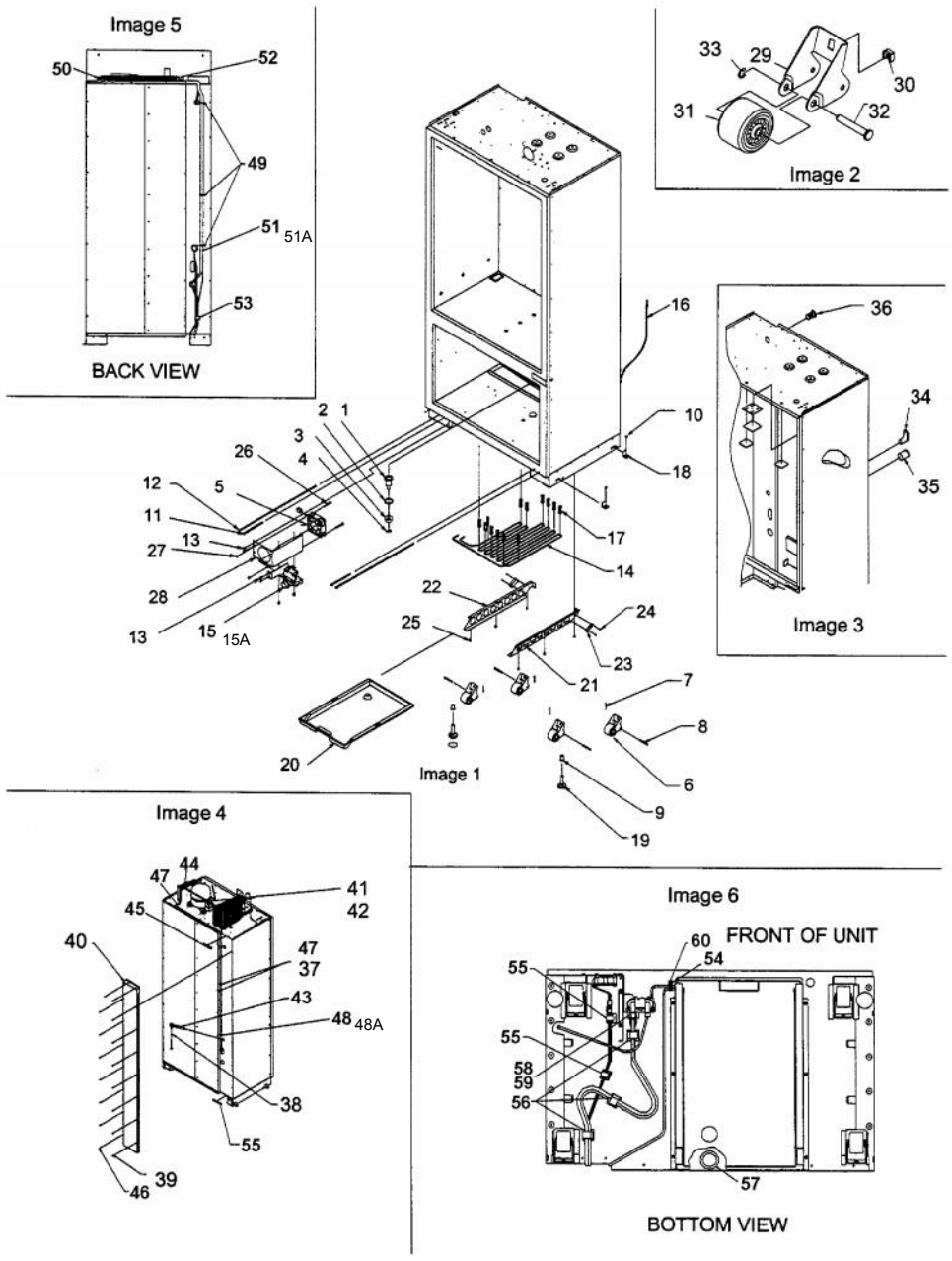


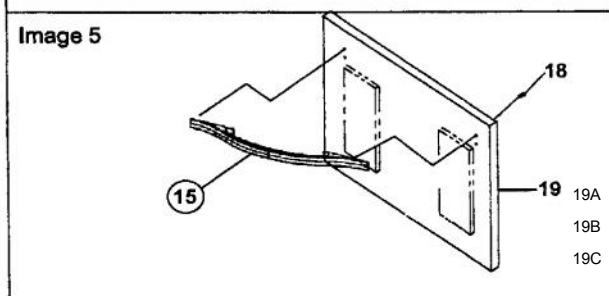
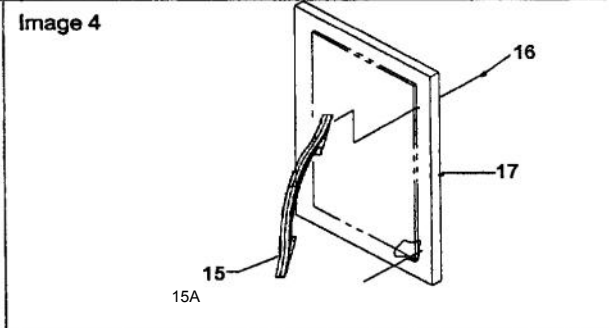
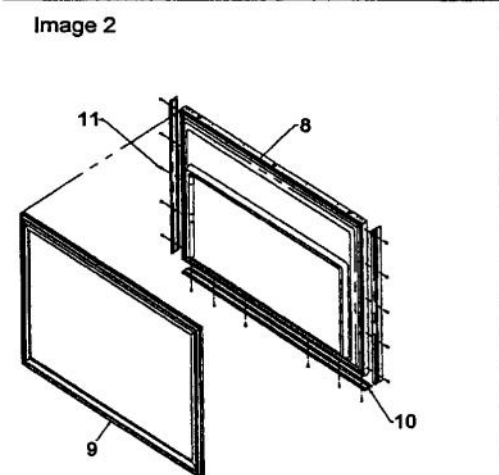
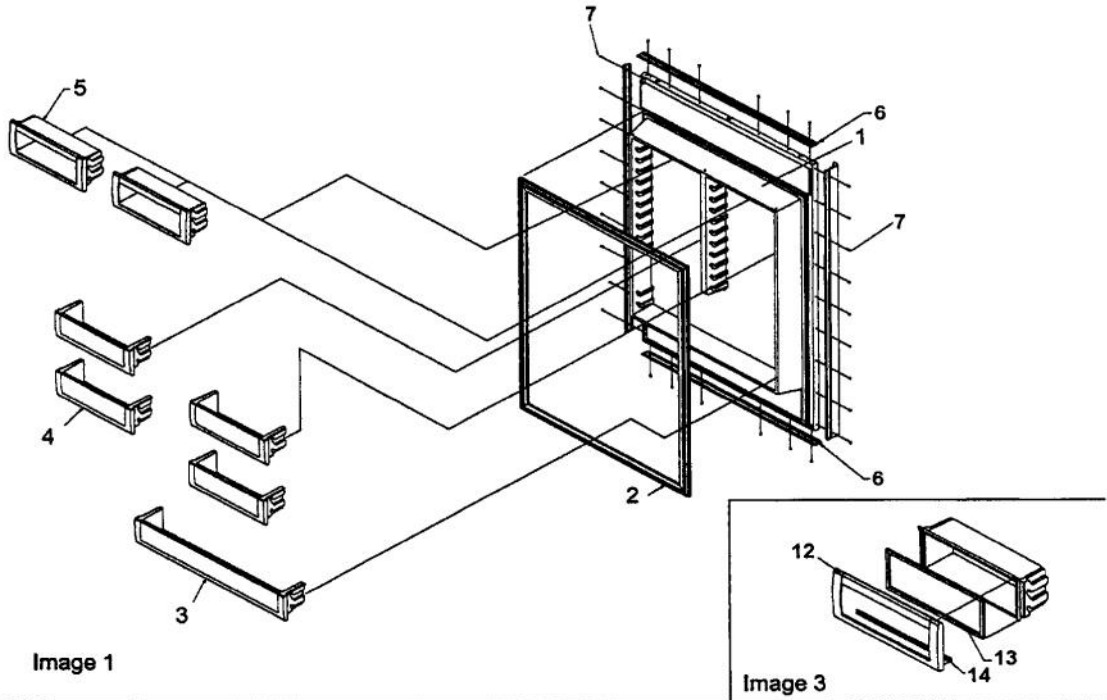
Image 3

Ref #	Part Number	Qty.	Description
1	10851306		INSULATION - TUBING
2	G5096495		SCREW, SM
3	M0213105		SCREW-SM
4	M0238616		SCREW-SM
5	K2096575		BRACKET R DIVIDER
6	K2096576		BRKT-L DIVIDER 12065606
7	K2096577		CHANNEL, RTN AIR
8	C9096578WH		EVAPORATOR COVER 36
9	12063301		FREEZER FAN COVER
10	12067201		BLOCK, RH EVAP
11	12067301		BLOCK-L EVAP V12067301
12	C8983701		THERMISTOR
13	V12089103		COVER, FZ SWITCH
14	A3189348		GASKET-FOAM VA3189348
15	A3030335		GASKET VA3030335
16	M0232903		SCREW-SE
17	M0211014		SCREW-SM
18	A3189370		GASKET-FOAM VA3189370
19	M0581001		GROMMET-SCREW
20	M0232929		SCREW-SE
21	M0224416		SCREW-SM
22	K2096589		BRACKET, SW MNT
23	12401402		SWITCH, SEALED
24	12179801		EVAPORATOR
26	10428409		HEATER, EVAP
27	10428101		CLIP-EVAP HTR V10428101
28	10442407		THERMOSTAT 10442411
29	G5096546		36 EVAP FAN ASSY - REPL 12062401
NI	016774-000		SECONDARY DRAIN TROUGH KIT



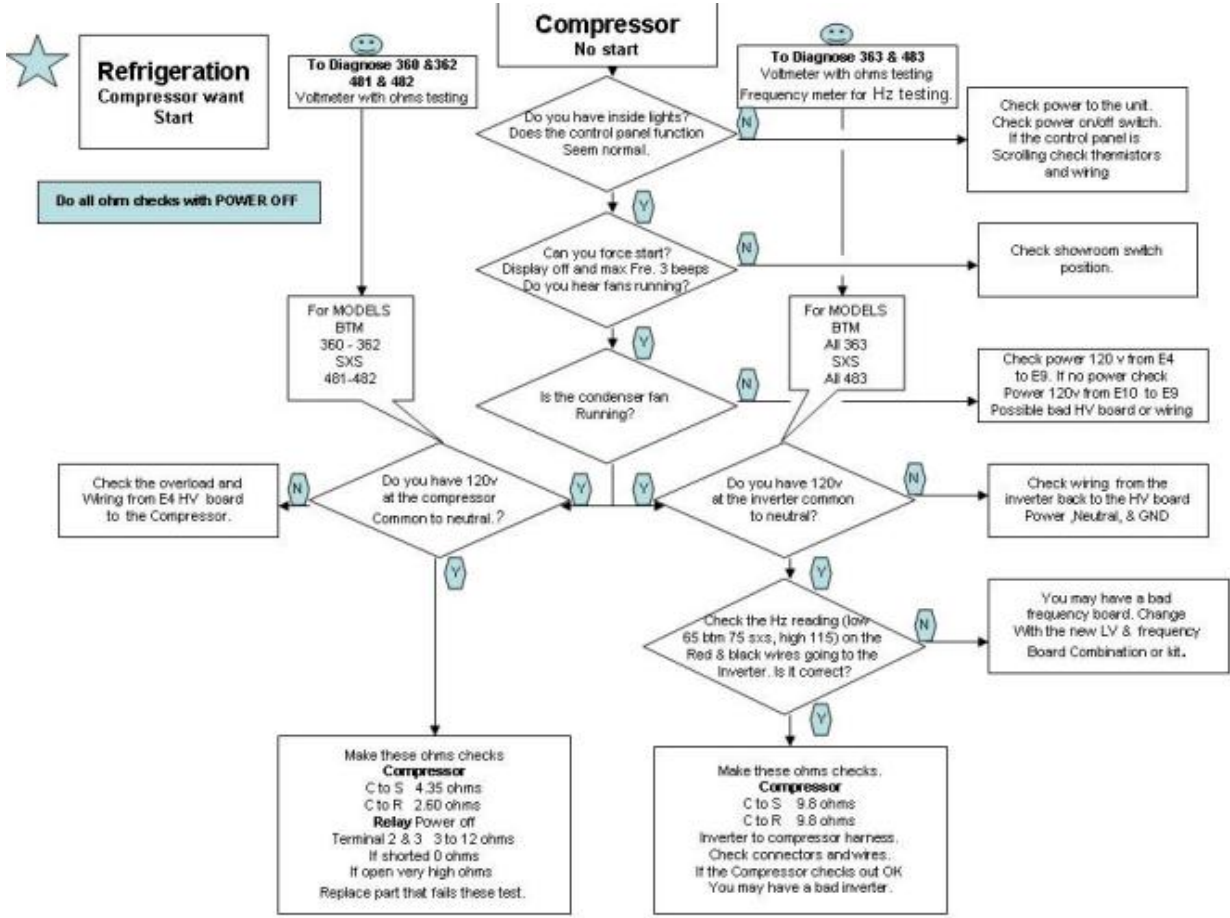
Ref #	Part Number	Qty.	Description
1	K2096420		BRACKET, ROLLER
2	G5096495		GASKET, FUNNEL
3	B8381501		GASKET-DRAIN TUBE VB8381501
4	M0273301		CLIP-RETAINING
5	12075003		MOTOR-REF FAN
6	G5096596		ROLLER BRKT ASSY RPLCS G5096490
7	M1200004		PIN-COTTER
8	M1200203		PIN-CLEVIS
9	M0295308		NUT-RIVET VM0295308
10	M0267153		SCREW-MACH VM0267153
11	M0204339		SCREW-ADJ ROLLER VM0204339
12	10093305		SCREW-ADJ ROLLER V10093305
13	M0220417		SCREW-TC
14	F2096549		SERPENTINE-DRAIN 12131801
15	PA970012		SINGLE WATER VALVE
15A	G50911842		WATER VALVE/BRACKET SVC KIT (UNITS MFG. FROM 3/12/04 - 1/26/05)
16	B5705323		TUBE, PLASTIC
17	12071201		CLIP-DRAIN LOOP
18	K2096427		BRKT-SHIPPING 12071102
19	12150601		FOOT-LEVELING V12150601
20	12071301		PAN-DRAIN (NON-ANTIMICROBIAL)
21	K2096585		RAIL, RH PAN
22	K2096586		RAIL-LH PAN 12143902
23	K2096439		ANGLE-DRAIN PAN 12143801
24	A4539601		SUB TO PC040010 - RIVET-POP VA4539601
25	M0224416		SCREW-SM
26	M0204702		SCREW-MACH
27	M0280801		NUT-HEX VM0280801
28	K2096473		BRKT-DC FAN 12349201
29	K2096420		BRACKET, ROLLER
30	M0286708		NUT-SPEED
31	12034201		ROLLER-CABINET
32	M1252901		PIN, RIVOT
33	M0273801		RING-RETAINING
34	C8971903		TUNNEL, HT EX
35	12114601		TUNNEL-CUT WIRE
36	A3187703		TUNNEL-AIR NO.
37	M0211018		SCREW-SM
38	12115101		CLAMP-TUBE V12115101
39	M0238616		SCREW-SM
40	K2096444		COVER-HT EXCHANGE 12187701
41	10377015		OVERLOAD-4TM V10377015
42	10097202		RELAY-PTC V10097202
43	10463201		ELBOW, FILL TUBE
44	10851310		INSUL-TUBING V10851310
45	A3189370		GASKET-FOAM VA3189370
46	A4539601		SUB TO PC040010 - RIVET-POP VA4539601
47	M0102303		CLAMP-TUBE VM0102303
48	M0102804		CLAMP-TUBE VM0102804
48A	A3223101		INSERT-TUBE VA3223101
49	M0322202		TIE-WIRE
50	A4554806		BUSHING-SNAP VA4554806
51	12405601		HARNESS-CABINET V12405601
51A	12405602		HARNESS-CABINET V12405602
52	10916507		TUBE-PROCESS GRN
53	M0104102		CLIP-CORD RED
54	M0211018		SCREW-SM
55	M0104106		CLIP-CORD VM0104106
56	M0104102		CLIP-CORD RED

Ref #	Part Number	Qty.	Description
56	M0104102		CLIP-CORD RED
57	A3076901		PLUG-BUTTON VA3076901
58	M0753001		NUT-SLEEVE
59	A1055101		SPRING-ANTI KINK
60	M0102303		CLAMP-TUBE VM0102303



19A 19D
19B 19E
19C

Ref #	Part Number	Qty.	Description
1	G5096541		REF DOOR ASSY 12061403
2	001905-000		SERV REFRIGERATOR GASKET FACE CHARGE
3	V12039701		DOOR SHELF ASSY
4	V12055401		DOOR SHELF ASSY
5	V12097404		DAIRY MODULE ASM
6	V12493704		TRIM, REF DOOR TOP & BOTTOM
7	VM0210458		SCREW, SM
8	G3296543		FZ DOOR ASSY 12061505
9	001904-000		SERV. FREEZER GASKET FACE CHARGE
10	V12493702		TRIM, FREEZER DOOR TOP & BOTTOM
11	VM0210458		SCREW, SM
12	V12097404		DAIRY MODULE ASM
13	V12097404		DAIRY MODULE ASM
14	V12097404		DAIRY MODULE ASM
15	PE030166		DESIGNER REFRIGERATOR HANDLE
15A	PE030166PVD		DESIGNER REFRIGERATOR HANDLE PVD
16	VM0202321		SCREW, MACHINE
17	B2096937		RC SKIN DES BM LH
	C9096937BK		DOOR SKIN BM DES RC LS
	C9096937WH		DOOR SKIN BM DES RC LS
	C9096937BT		DOOR SKIN BM DES RC LS
	C9096937GG		DOOR SKIN BM DES RC LS
	C9096937SG		DOOR SKIN BM DES RC LS
	B2096938		RC SKIN DES BM RH
	C9096938BK		SUB TO C90914137BK - DOOR SKIN, BM DES RC RS
	C9096938WH		REF. DOOR SKIN (DDBB362R) - WH
	C9096938BT		REF. DOOR SKIN (DDBB362R) - BT
	C9096938GG		SUB TO C90914137GG - DOOR SKIN, BM DES RC RS
	C9096938SG		DOOR SKIN, BM DES RC RS SUB TO C90914137SG
18	VM0204303		SCREW, MACHINE
19	B2096936		FC SKIN DES BM
19A	C9096936BK		DOOR SKIN, BM DES FC
19B	C9096936WH		DOOR SKIN, BM DES FC
19C	C9096936BT		DOOR SKIN, BM DES FC
19D	C9096936GG		DOOR SKIN, BM DES FC
19E	C9096936SG		DOOR SKIN, BM DES FC
NI	V10921220		INSULATION - REFRIGERATOR
NI	V10921223		INSULATION - FREEZER
NI	PK930003		SPACER - DES BM RC
NI	PK930004		SPACER - DES BM FC
NI	PK930005		SPACER - DES FC TOP



Ref #	Part Number	Qty.	Description
-------	-------------	------	-------------
