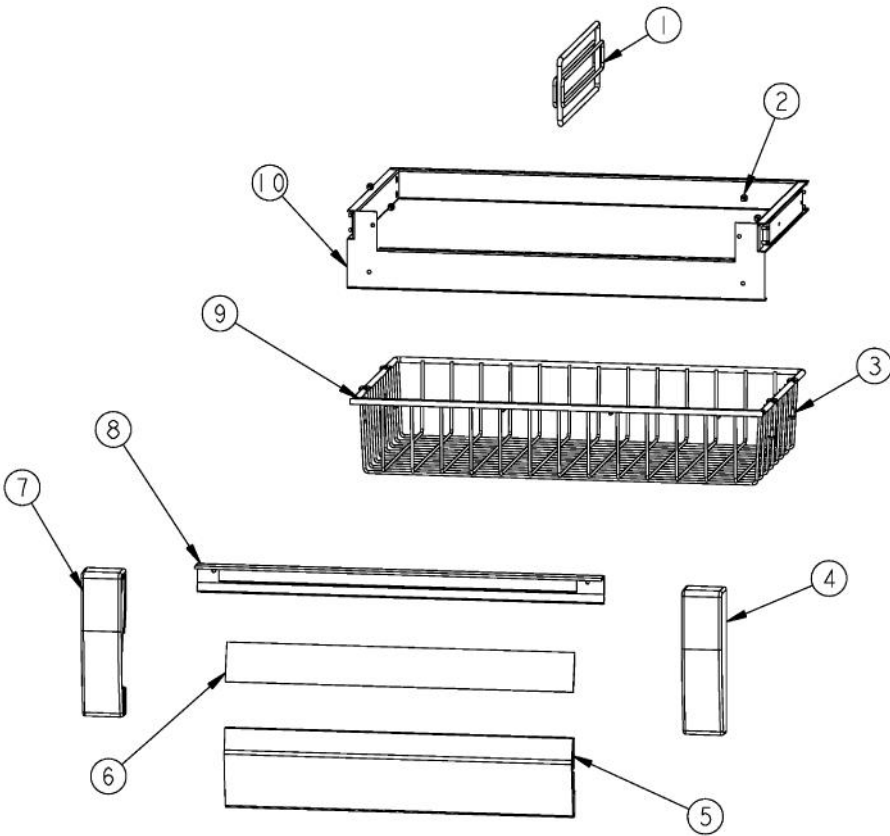
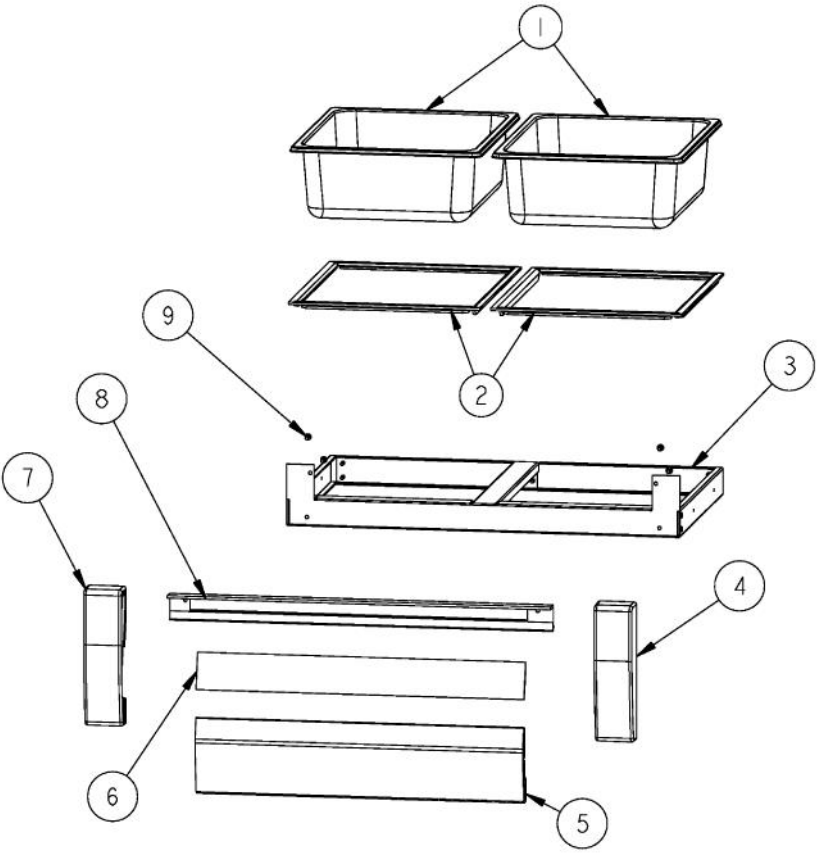


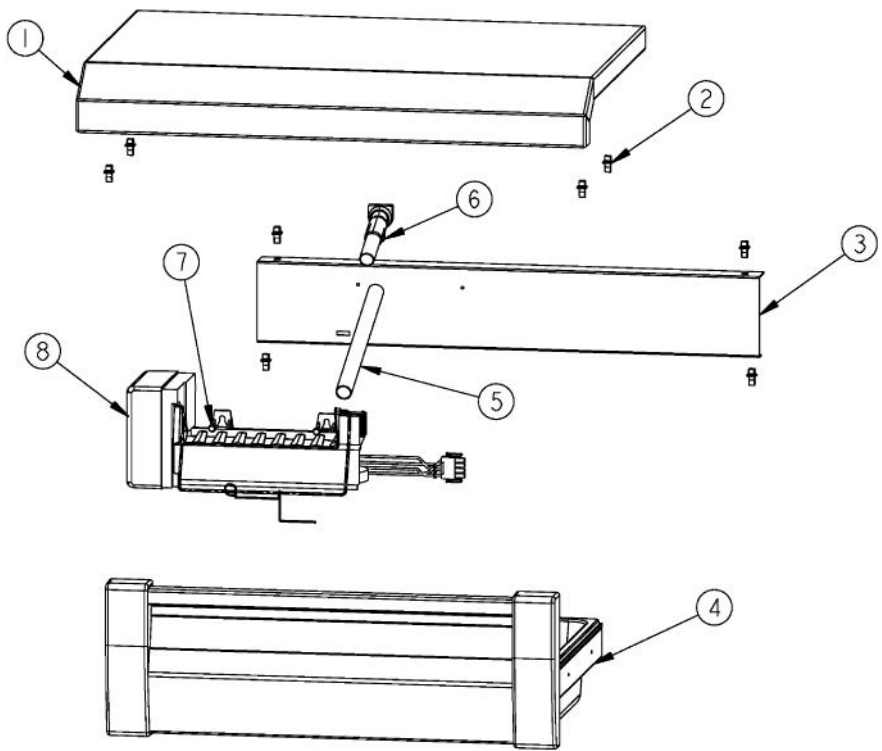
Ref #	Part Number	Qty.	Description
1	PM910405		SHELF WIRE AF 30
2	G50911315		DRAWER BASKET ASM AF 30 FOR BREAKDOWN SEE PAGE 002
3	G50911316		DRAWER ICE ASM AF 30 FOR BREAKDOWN SEE PAGE 003
4	G50911931		SHELF ICE ASM UPPER AF 30 FOR BREAKDOWN SEE PAGE 004



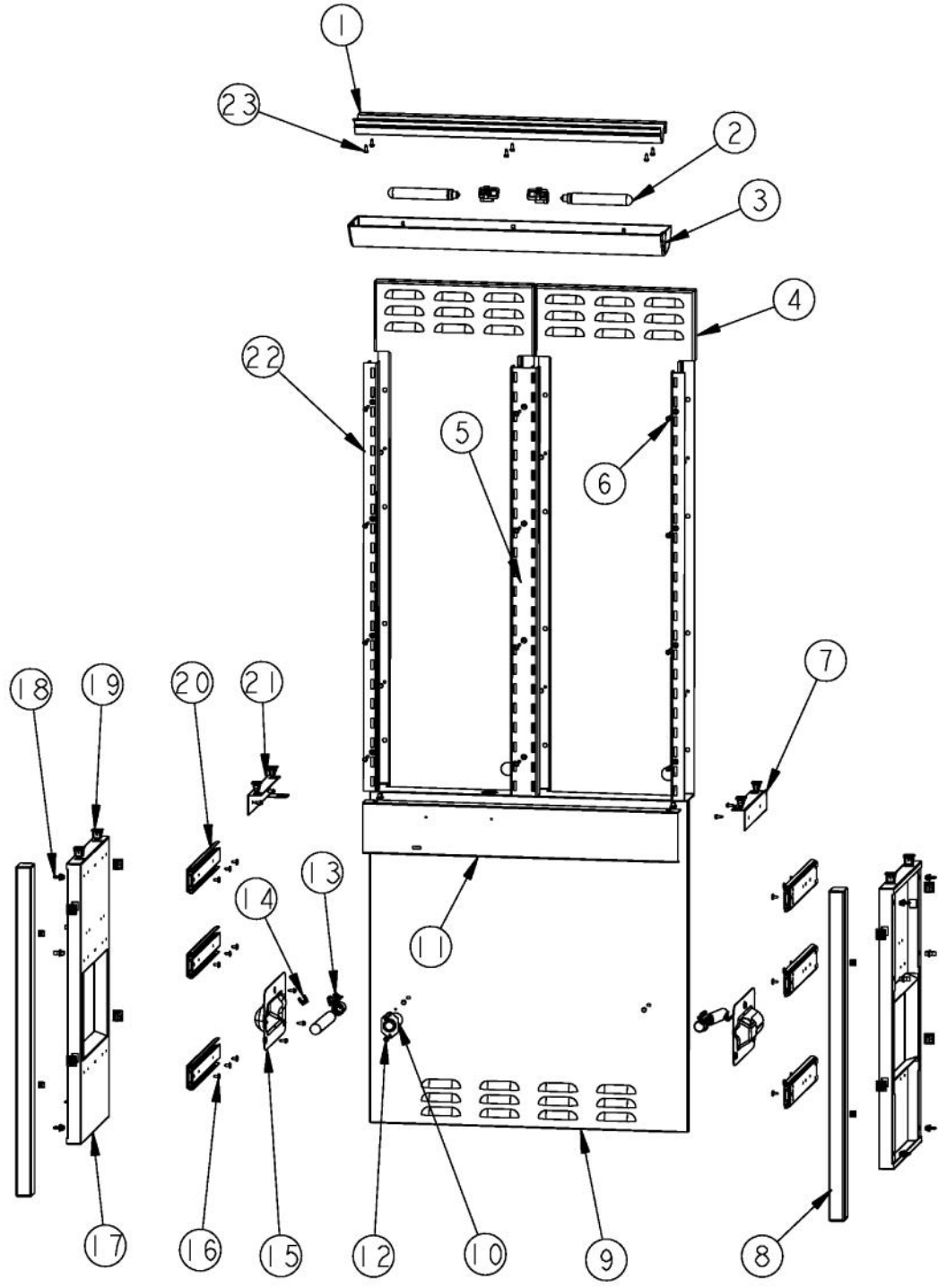
Ref #	Part Number	Qty.	Description
1	PM910439		DIVIDER BASKET WIRE AF 36
2	PD920161		SCR 8-16 PLASTITE PNP 3/8 S
3	PD020194		SCREW-SM
4	PK930316		ENDTRIM ICE DRAWER R
5	PK920061		EXTRUSION DRAWER FRONT AF 30
6	PE940233		GLASS DRAWER ICE AF 30
7	PK930317		ENDTRIM ICE DRAWER L
8	PK920060		EXTRUSION DRAWER CAP AF 30
9	PM910402		BASKET WIRE AF 30
10	G90911313WH		FRAME BASKET DRAWER ASM AF 30 XWHX
NI	G50911315		DRAWER BASKET ASM AF 30 (INCLUDES ITEMS 1 THROUGH 10)



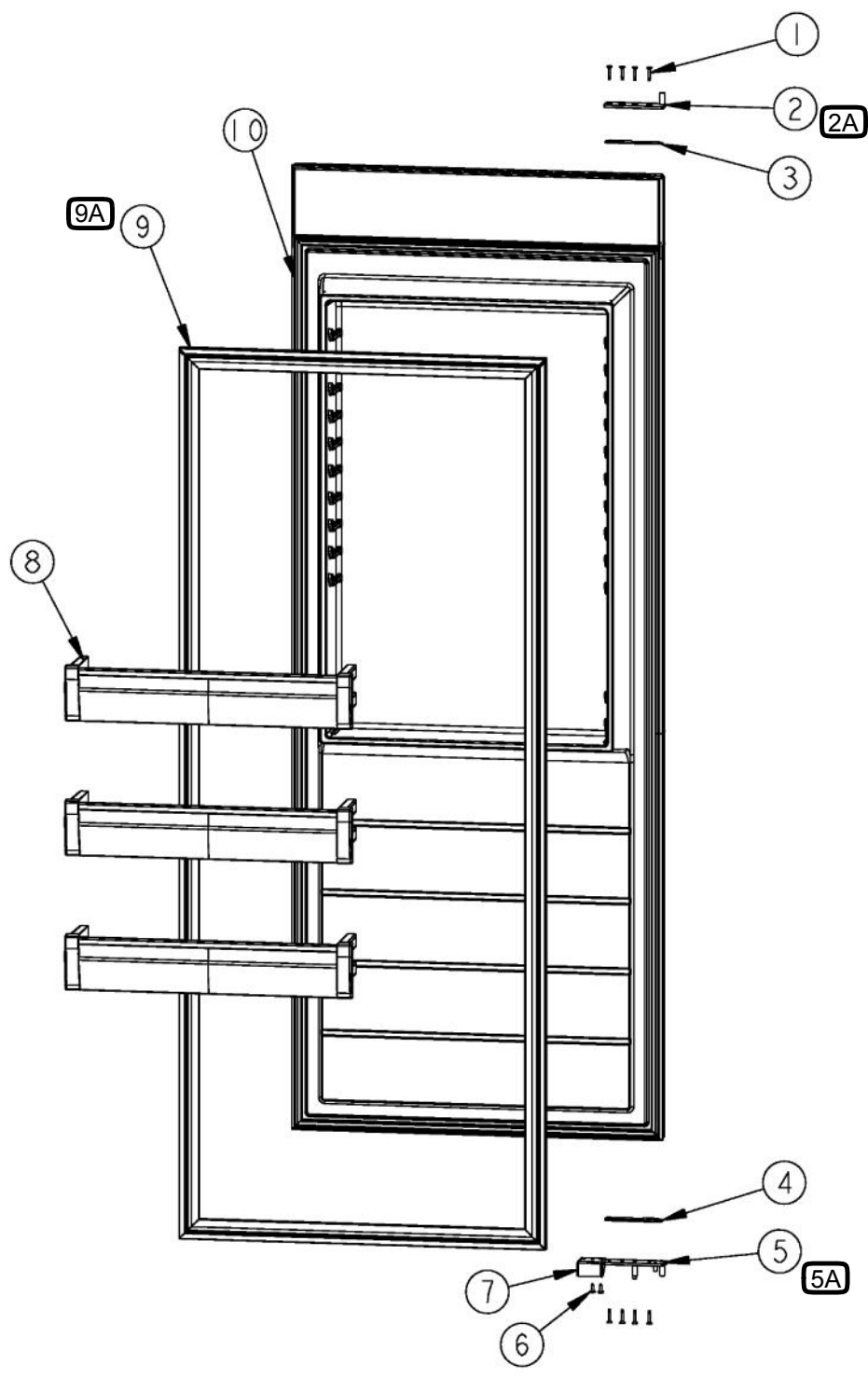
Ref #	Part Number	Qty.	Description
1	PM910461		PAN ICE AF 36 30
2	PB970211		GASKET FRAME AF 30 & 36
3	G90911314WH		FRAME ICE DRAWER ASM AF 30 XWHX
4	PK930316		ENDTRIM ICE DRAWER R
5	PK920061		EXTRUSION DRAWER FRONT AF 30
6	PE940233		GLASS DRAWER ICE AF 30
7	PK930317		ENDTRIM ICE DRAWER L
8	PK920060		EXTRUSION DRAWER CAP AF 30
9	PD920161		SCR 8-16 PLASTITE PNP 3/8 S
NI	G50911316		DRAWER ICE ASM AF 30 (INCLUDES ITEMS 1 THROUGH 9)



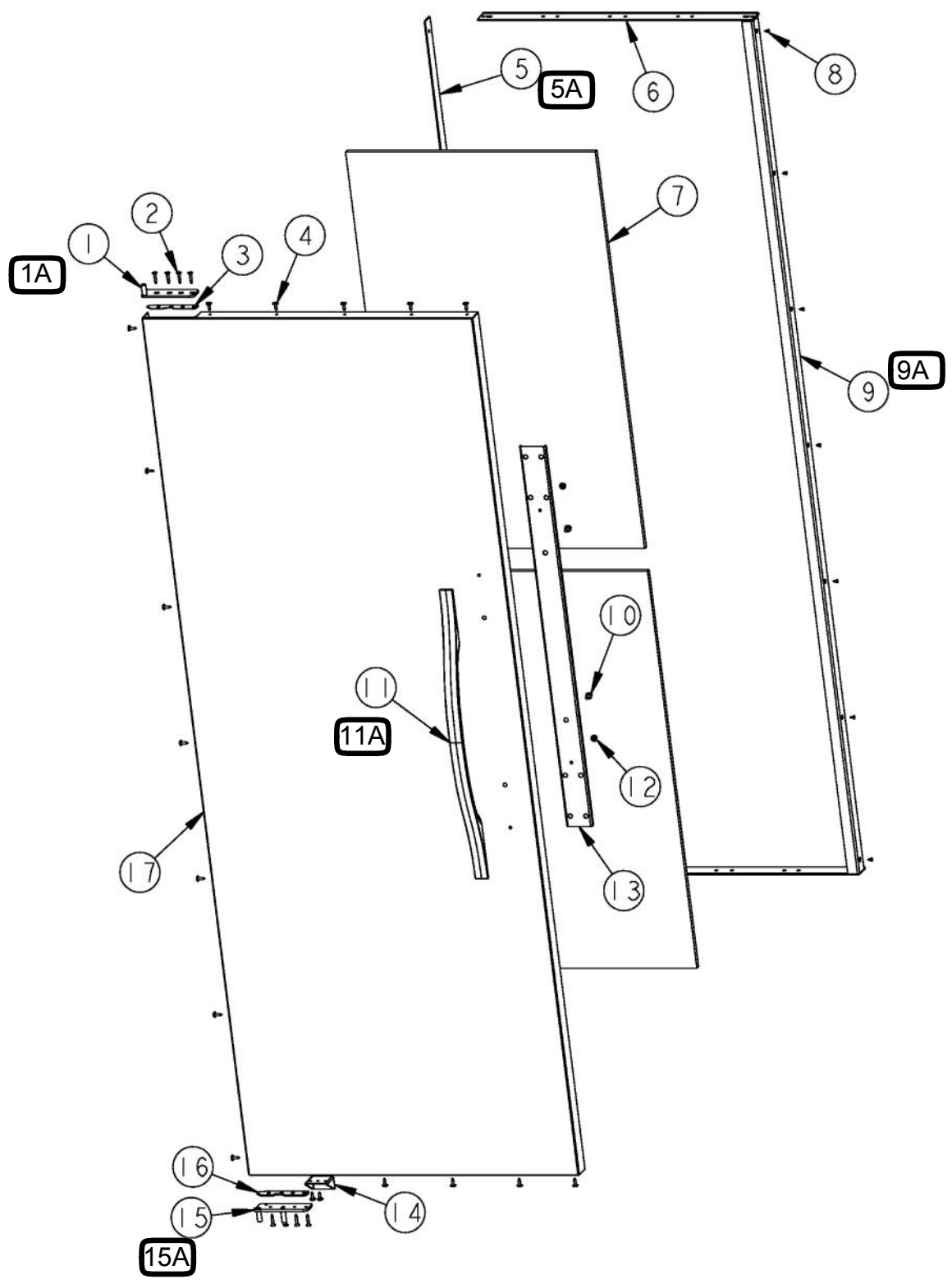
Ref #	Part Number	Qty.	Description
1	C90911930		ASM PAINT SHELF COVER AF 36
2	PD950012		STRIKE PANEL ACCESS
3	C90911142WH		PLATE IN MOUNT AF 30 XWHX
4	G50911316		DRAWER ICE ASM AF 30 FOR BREAKDOWN SEE PAGE 003
5	A3127415		EXT-FILL TUBE
6	G5096419		FILL TUBE ASSY 10942511
7	PD020194		SCREW-SM
8	002252-000		ICE MAKER
NI	G50911931		SHELF ICE ASM UPPER AF 30 (INCLUDES ITEMS 1 & 2)



Ref #	Part Number	Qty.	Description
1	L2099492		BRACKET LIGHT SXS 48 FF
2	A3079001		LAMP - 40W
3	PK930268		COVER LIGHT ASM AF AR 30 SXS 48 FF
4	L2099055		EVAP COVER UPPER AF 30
5	PM910285		LADDER CENTER
6	M0238535		SCREW-SM
7	K20911929		BRACKET ICE SHELF R
8	C90910784WH		COVER SIDE ASM XWHX
9	L20911932		COVER EVAP LOWER AF 30
10	C8983701		THERMISTOR
11	C90911142WH		PLATE IN MOUNT AF 30 XWHX
12	M0211014		SCREW-SM
13	PE950125		LIGHT SOCKET
14	B5733302		CLIP-GROUND
15	10270203		HOUSING-LIGHT V10270203
16	PD020032		SRW-8(A)X3/8PH.WFR HD 7/16DIAXNICL
17	G90911311		BRKT SIDE GLIDE MOUNT -WH
18	PD950012		STRIKE PANEL ACCESS
19	PD950013		LATCH PANEL ACCESS
20	PC080031		SLIDE 12 FULL EXTENSION
21	K20911928		BRACKET ICE SHELF L
22	PM910282		LADDER SIDE
23	PD020194		SCREW-SM

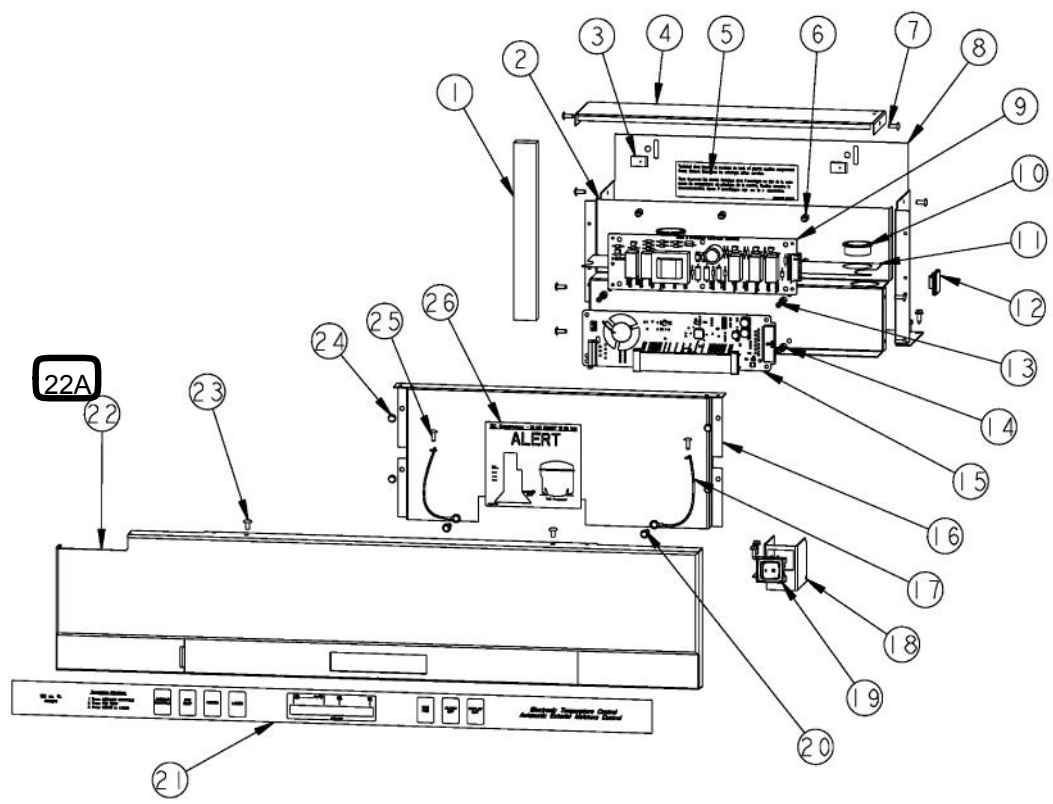


Ref #	Part Number	Qty.	Description
1	PD920174		10-32 TORX HEAD SCREW
2	PC020279		PIVOT PL ASM LH UP PRO/DES
2A	PC020278		PIVOT PL ASM RH UP PRO/DES
3	PD040162		SPACER-DOOR HINGE
4	001617-000		SPACER,NYL,PIVOT PLATE
5	PC020277		PIVOT PL ASM LH LW PRO/DES
5B	PC020276		PIVOT PL ASM RH LW PRO/DES
6	M0210458		SCREW-SM
7	PD050019		STRIKER DOOR SWITCH
8	G5099904		DOORBIN ASM AF 30
9	PB070333	1	DOOR GASKET 30AR 30AF (BEFORE 06-10-08)
9A	005448-000		GASKET,ASM,30,AFAR (ON OR AFTER 06-10-08)
10	G32915042		DOOR ASM AF 30 (INCLUDES GASKET)

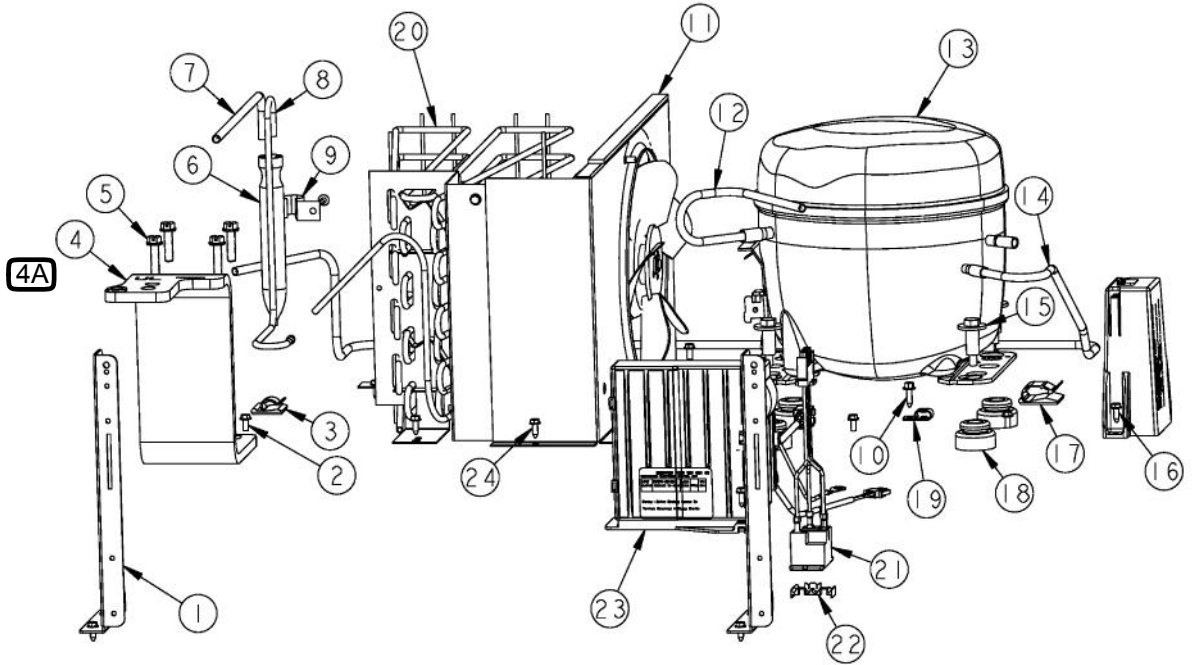


Ref #	Part Number	Qty.	Description
1	PC020279		PIVOT PL ASM LH UP PRO/DES
1A	PC020278		PIVOT PL ASM RH UP PRO/DES
2	PD920174		10-32 TORX HEAD SCREW
3	PD040162		SPACER-DOOR HINGE
4	M0210458		SCREW-SM
5	PD940087		SPACER DOOR SKIN-HINGE SIDE (75.1) (LH MODELS)
5A	PK930006		SPACER - SS DES (RH MODELS)
6	PK030556		TRIM DOOR BULLNOSE 30 TOP/BOT
7	PM910068		FOAM, DOOR SKIN (SXS)
8	M0215704		SCREW-SM
9	PK930006		SPACER - SS DES (RH MODELS)
9A	PD940087		SPACER DOOR SKIN-HINGE SIDE (75.1) (LH MODELS)
10	M0204303		SCREW-MACH
11	PE030166		DESIGNER REFRIGERATOR HANDLE
11A	PE030166PVD		DESIGNER REFRIGERATOR HANDLE PVD
12	PD030152		CAPPED WASHER PAL NUT
13	K2097526		BRACKET - HANDLE SUPPORT
14	PD050019		STRIKER DOOR SWITCH
15	PC020277		PIVOT PL ASM LH LW PRO/DES
15A	PC020276		PIVOT PL ASM RH LW PRO/DES
16	001617-000		SPACER,NYL,PIVOT PLATE
17	B20915908		DOOR SKIN AF AR 30 DES R
	L20915908WH		DOOR SKIN - RIGHT HINGE (WH)
	C90915908AL		DOOR SKIN - RIGHT HINGE (AL) (BEFORE 01/01/08)
	C90915908BT		DOOR SKIN AF AR 30 DES R (BEFORE 01/01/08)
	C90915908EP		DOOR SKIN - RIGHT HINGE (EP) (BEFORE 01/01/08)
	C90915908FG		DOOR SKIN - RIGHT HINGE (FG) (BEFORE 01/01/08)
	C90915908BK		DOOR SKIN AF AR 30 DES R
	C90915908BU		DOOR SKIN AF AR 30 DES R
	C90915908CB		DOOR SKIN AF AR 30 DES R
	C90915908GG		DOOR SKIN AF AR 30 DES R
	C90915908SG		DOOR SKIN AF AR 30 DES R
	C90915908VB		DOOR SKIN AF AR 30 DES R
	C90915908AR		DOOR SKIN AF AR 30 DES R (AFTER 01/01/08)
	C90915908CH		DOOR SKIN AF AR 30 DES R (AFTER 01/01/08)
	C90915908CW		DOOR SKIN AF AR 30 DES R (AFTER 01/01/08)
	C90915908GM		DOOR SKIN AF AR 30 DES R (AFTER 01/01/08)
	C90915908IB		DOOR SKIN AF AR 30 DES R (AFTER 01/01/08)
	C90915908MS		DOOR SKIN AF AR 30 DES R (AFTER 01/01/08)
	C90915908OG		DOOR SKIN AF AR 30 DES R (AFTER 01/01/08)
	C90915908PL		DOOR SKIN AF AR 30 DES R (AFTER 01/01/08)
	C90915908PM		DOOR SKIN AF AR 30 DES R (AFTER 01/01/08)
	C90915908RR		DOOR SKIN AF AR 30 DES R

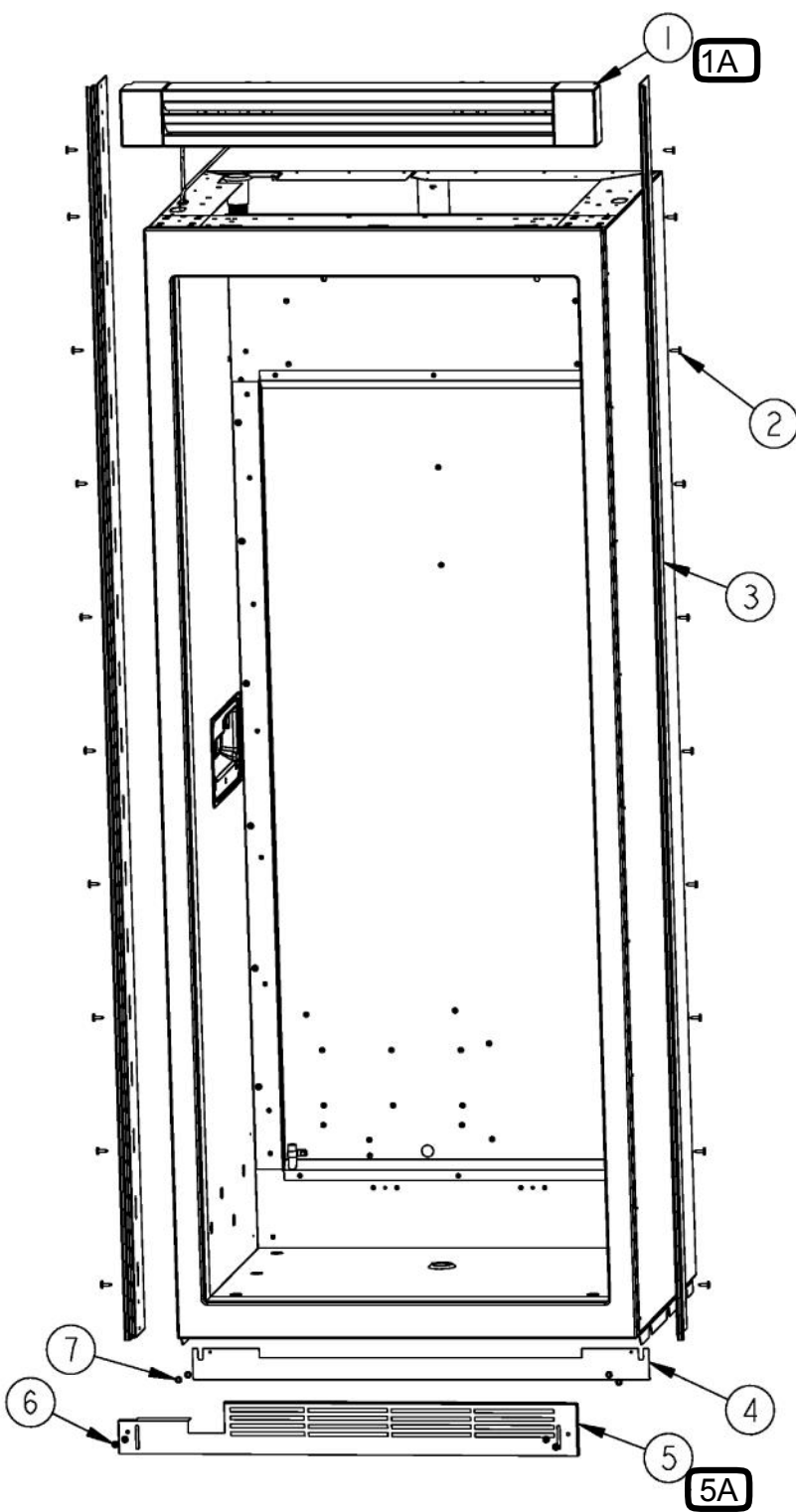
Ref #	Part Number	Qty.	Description
	C90915908RR		DOOR SKIN AF AR 30 DES R (AFTER 01/01/08)
	C90915908SA		DOOR SKIN AF AR 30 DES R (AFTER 01/01/08)
	C90915908SE		DOOR SKIN AF AR 30 DES R (AFTER 01/01/08)
	C90915908TP		DOOR SKIN AF AR 30 DES R (AFTER 01/01/08)
	B20915907		DOOR SKIN AF AR 30 DES L
	L20915907WH		DOOR SKIN - LEFT HINGE (WH)
	C90915907AL		DOOR SKIN - LEFT HINGE (AL) (BEFORE 01/01/08)
	C90915907BT		DOOR SKIN AF AR 30 DES L (BEFORE 01/01/08)
	C90915907EP		DOOR SKIN - LEFT HINGE (EP) (BEFORE 01/01/08)
	C90915907FG		DOOR SKIN - LEFT HINGE (FG) (BEFORE 01/01/08)
	C90915907BK		DOOR SKIN AF AR 30 DES L
	C90915907BU		DOOR SKIN AF AR 30 DES L
	C90915907CB		DOOR SKIN AF AR 30 DES L
	C90915907GG		DOOR SKIN AF AR 30 DES L
	C90915907SG		DOOR SKIN AF AR 30 DES L
	C90915907VB		DOOR SKIN AF AR 30 DES L
	C90915907AR		DOOR SKIN AF AR 30 DES L (AFTER 01/01/08)
	C90915907CH		DOOR SKIN AF AR 30 DES L (AFTER 01/01/08)
	C90915907CW		DOOR SKIN AF AR 30 DES L (AFTER 01/01/08)
	C90915907GM		DOOR SKIN AF AR 30 DES L (AFTER 01/01/08)
	C90915907IB		DOOR SKIN AF AR 30 DES L (AFTER 01/01/08)
	C90915907MS		DOOR SKIN AF AR 30 DES L (AFTER 01/01/08)
	C90915907OG		DOOR SKIN AF AR 30 DES L (AFTER 01/01/08)
	C90915907PL		DOOR SKIN AF AR 30 DES L (AFTER 01/01/08)
	C90915907PM		DOOR SKIN AF AR 30 DES L (AFTER 01/01/08)
	C90915907RR		DOOR SKIN AF AR 30 DES L (AFTER 01/01/08)
	C90915907SA		DOOR SKIN AF AR 30 DES L (AFTER 01/01/08)
	C90915907SE		DOOR SKIN AF AR 30 DES L (AFTER 01/01/08)
	C90915907TP		DOOR SKIN AF AR 30 DES L (AFTER 01/01/08)



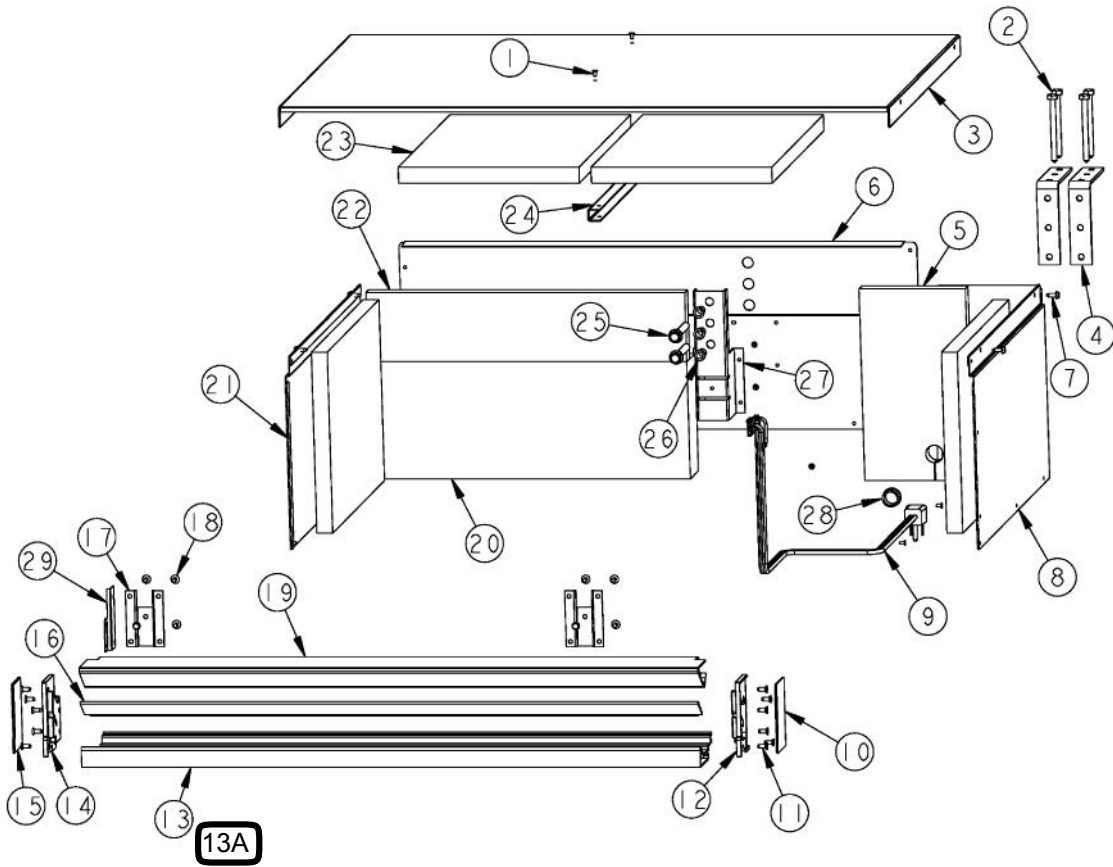
Ref #	Part Number	Qty.	Description
1	A3030361		GASKET, RED
2	K20910060		BRACKET - PC
3	M0288120		NUT-SPEED, VM0288120
4	K20915000		CONTROL BOX TOP
5	PF930487		TECH LITERATURE LABEL - 2
6	M0585504		SUPPORT
7	PC040010		POP RIVET
8	K2099402		CONTROL BOX
9	PE970463		POWER CONTROL BOARD
10	A4554817		BUSHING-SNAP VA4554817
11	PM910325		FILM PROTECTIVE
12	M0104106		CLIP-CORD VM0104106
13	PD020013		TYPE AB NO.6 X 3/8 PH PAN HD. SMS
14	M0585506		SUPPORT
15	PE070728		BOARD LOW VOLTAGE
16	K20910061		CONTROL BOX FRONT
17	12064001		SUPP-CONT PANEL
18	K2098654		BRACKET SWITCH POWER
19	PE950149		SWITCH POWER
20	M0238846		SCREW-SHLDR
21	PE950182		OVERLAY SWITCH AF 30
22	PK930220		PANEL COVER CONTROL
22A	PK930332		PANEL CONTROL AF 30 R
23	M0224128		SCREW-SM
24	PD020194		SCREW-SM
25	PC040010		POP RIVET
26	PF930672		LABEL DC COMPRESSOR



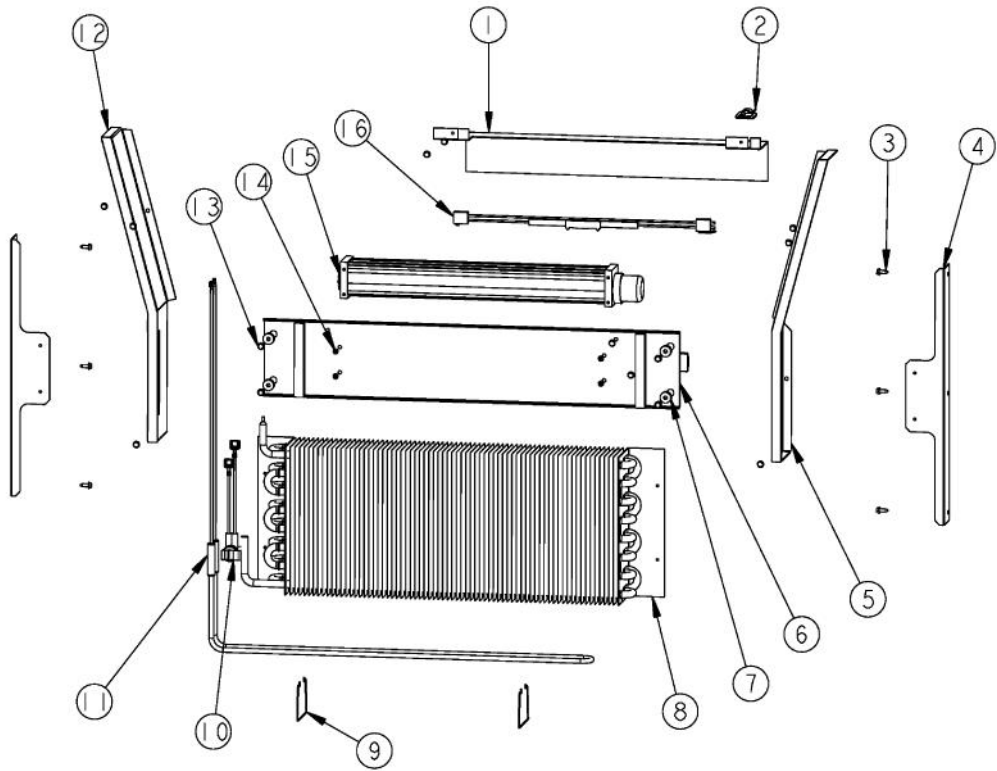
Ref #	Part Number	Qty.	Description
1	K20912569		BRACKET GRILLE SUPPORT
2	PD020010		10 X 3/8 GREEN GROUNDING SCREW
3	M0104106		CLIP-CORD VM0104106
4	PC920204		HINGE ASM UL
4A	PC920203		HINGE ASM UR
5	000570-000		HEX SCREW
6	10743201		DRIER, HI SIDE
7	F2097740		TUBE PROCESS
8	F2096669		TUBE-DRIER COND
9	10547001		CLIP-DRIER V10547001
10	PD020195		SCR 8-18 X 5/8
11	G5096494		COND. FAN ASSY
12	F2096507		TUBE-PROCESS GRN
13	G5097976		COMPRESSOR ASSEMBLY (363 AND 483) (INCLUDES DRIER)
14	F20910729		TUBE DISCHARGE FORMED AF AR 36
15	M0221523		SCREW - SHLDR
16	PE970608		POWER SUPPLY 24 VDC 15 W
17	M0104102		CLIP-CORD RED
18	10835901		GROMMET RUBBER V10835901
19	002573-000		CLAMP CORD
20	PB920171		CONDENSER ASM
21	G50915958		ASM AR SABBATH MODE RELAY
22	M0327801		SPLICE TAP
23	PE070849		INVERTER
24	PD020194		SCREW-SM



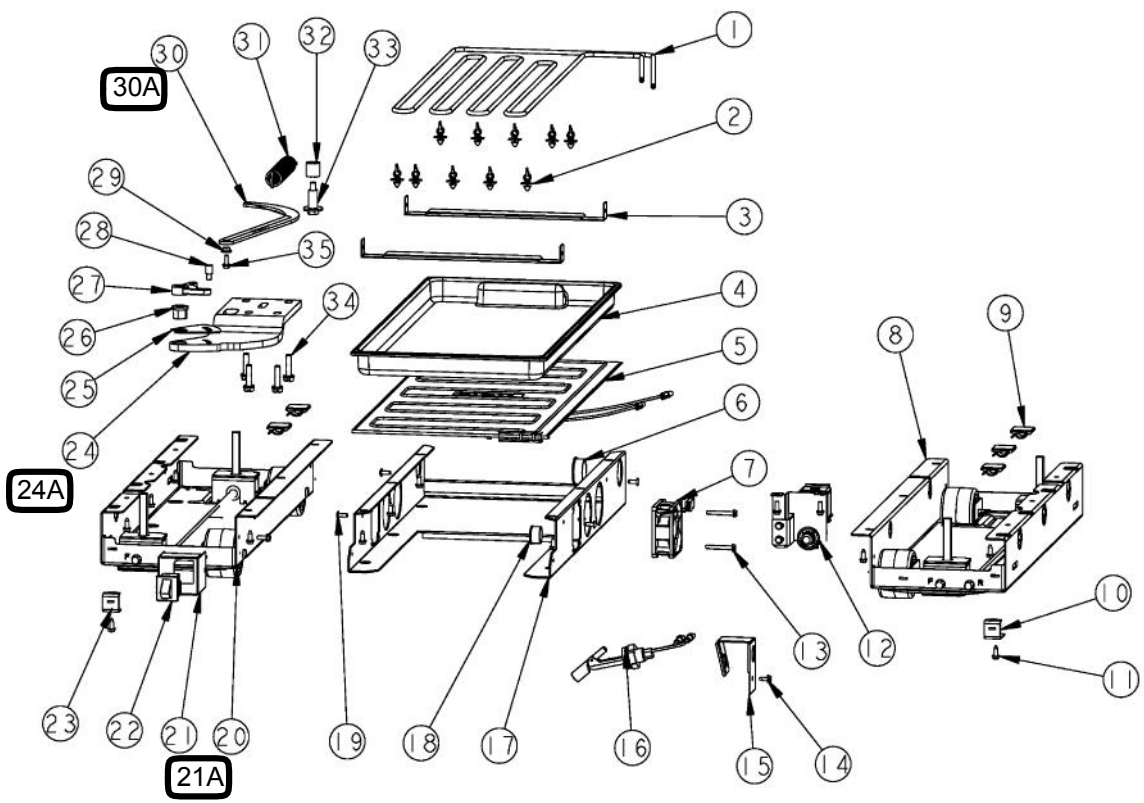
Ref #	Part Number	Qty.	Description
1	G32911143		GRILLE ASM AF AR 30 DES L
1A	G32911151		GRILLE ASM AF AR 30 DES R (FOR BREAKDOWN SEE PAGE 011)
2	M0210458		SCREW-SM
3	PK920066		SIDE TRIM
4	000206-002		KICKPLATE, LWR
5	C90910752BK		GRILLE TOE VENTED 30 LH BK
5A	C90910758BK		GRILLE TOE VENTED 30 R XBKX
6	M0210443		SCREW-E SM
7	40370P01		NYLON FLAT WASHER V40370P01
NI	G50915030		GRILLE TOE ASM AF AR 30 L (CONTAINS ITEMS NO. 4 - NO. 7)
	G50915029		GRILLE TOE ASM AF AR 30 R (CONTAINS ITEMS NO. 4 - NO. 7)



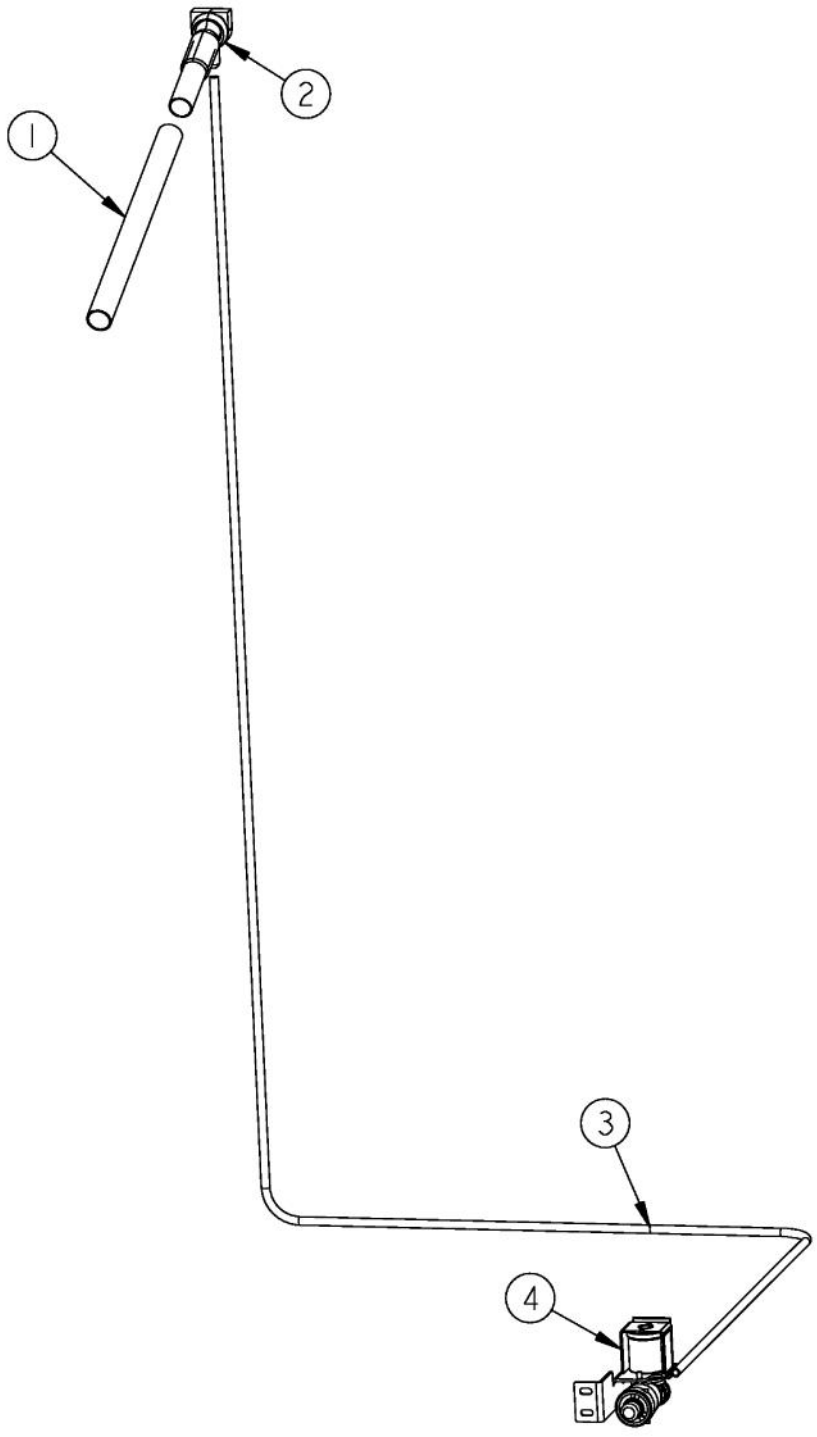
Ref #	Part Number	Qty.	Description
1	PC040010		POP RIVET
2	M0223509		SCREW-LAG
3	K2099930		MC TOP 30
4	PK910089		BRACKET, ANTI - TIP
5	PB970171		MC INSULATION - BACK SIDE
6	K2099932		MC BACK 30
7	PD020194		SCREW-SM
8	K2099459		MC SIDE R
9	10916507		TUBE-PROCESS GRN
10	PM910072		COVER - END CAP 12119802
11	M0215318		SCREW-SM
12	PM910348		ENP CAP GRILLE R
13	PM910408		GRILLE LOUVER LOWER AF AR 30 L DES FOL
13A	PM910420		GRILLE LOUVER LOWER AF AR 30 R DES FOL
14	PM910349		END CAP GRILLE L
15	PM910071		COVER - END CAP 12119801
16	PM910407		GRILLE LOUVER MID AF AR 30 DES FOL
17	PK050004		BRACKET GRILLE
18	M0224128		SCREW-SM
19	PM910406		GRILLE LOUVER UPPER AF AR 30 DES FOL
20	PB070357		INSULATION MC COVER
21	K2099460		MC SIDE L
22	PB070356		INSULATION MC COVER
23	PB070355		INSULATION MC COVER
24	K2099455		SUPPORT MC Z
25	PD020233		SCR LAG 5/16-9 GX 5/16X7/16 WAF IHXW 3 S ZN
26	PD040157		BEARING SLEEVE
27	K20915675		BRACKET PSM
28	A4554806		BUSHING-SNAP VA4554806
29	K2099471		BRACKET GRILLE SUPPORT L
	K2099470		BRACKET GRILLE SUPPORT R



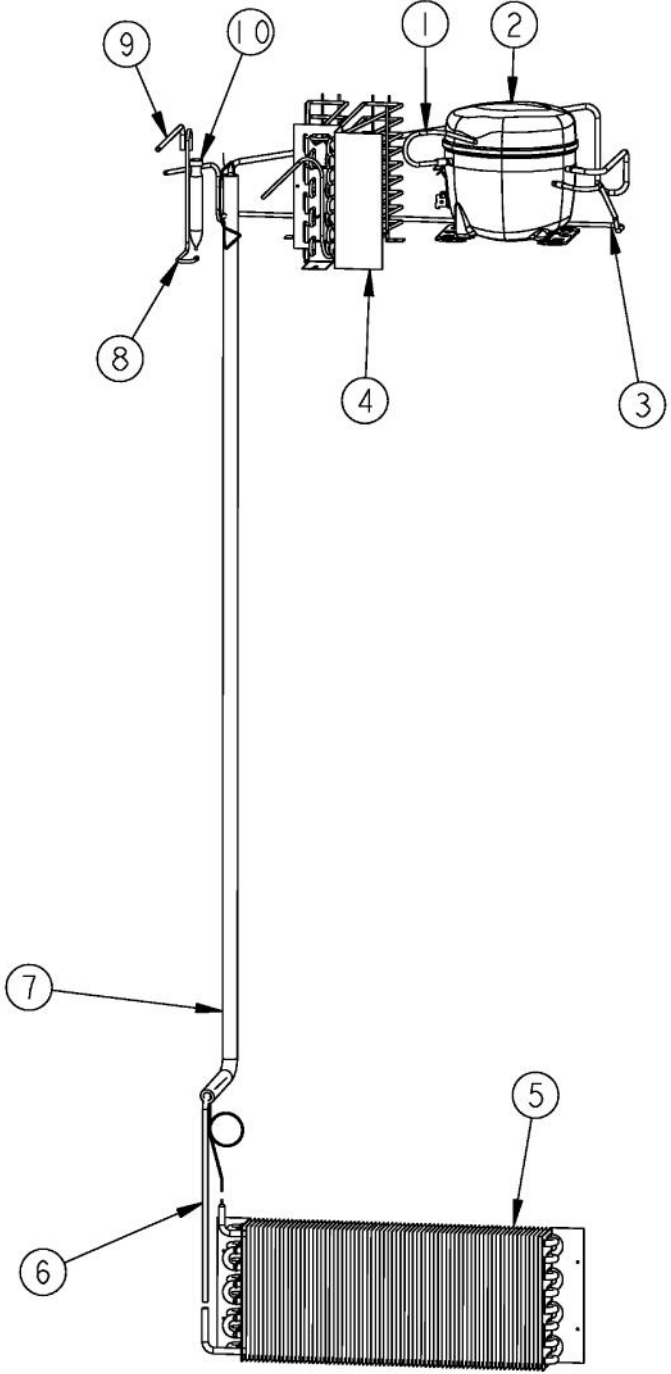
Ref #	Part Number	Qty.	Description
1	K20912562		COVER FAN EVAP AF 30
2	M0104106		CLIP-CORD VM0104106
3	PD020194		SCREW-SM
4	K20912558		BRACKET EVAP COVER
5	K20912598		DIVERTER AIR AF 30 R
6	K20912559		BRKT FAN EVAP AF 30
7	12234001		GROMMET-VIBRATION
8	PM910456		EVAPORATOR AF 30
9	PM910468		CLIP EVAP HTR 36 30 AF
10	PB910259		THERMOSTAT DEFROST TERMINATOR
11	PJ910038		DEFROST HEATER AF 30
12	K20912597		DIVERTER AIR AF 30 L
13	M0238859		SCREW-SHLDR
14	M02172046		SCREW, SM
15	PE950154		FAN EVAP HORIZ AF AR 30
16	PE970641		JUMPER FAN RESISTOR



Ref #	Part Number	Qty.	Description
1	F2099927		SERPENTINE AF AR 30
2	PD030146		STAND OFF LOCK CLIP
3	K20911832		BRACKET CONDENSATE SUPPORT
4	PK930347		PAN-DRAIN AF AR 30
5	G50915603		PAN HEATER ASM AF/AR 30
6	A4554817		BUSHING-SNAP VA4554817
7	000731-000		AXIAL FAN
8	PM910398		LEVELER ASSEMBLY - R
9	M0104106		CLIP-CORD VM0104106
10	K2098044		BRKT GRILLE SUPPORT
11	PD020194		SCREW-SM
12	G32913789		BRKT & VALVE H20 SNGL ASM
13	PD020274		SCR SLTD HEX WSHR HD 8X1.250 BT
14	M0253916		SCREW-TF
15	B20915627		BRACKET HORIZ FLOAT SWITCH
16	PE050248		FLOAT SWITCH HORIZONTAL
17	K20915953		SHIELD BOTTOM DRAIN
18	A4554806		BUSHING-SNAP VA4554806
19	PC040010		POP RIVET
20	PM910399		LEVELER MODULE L
21	002668-000		SWITCH,GRILLE,MT,LH
21A	002667-000		SWITCH,GRILLE,MT,RH
22	PE950147		SWITCH SPST NC BLACK
23	K2098096		BRKT GRILLE SUPPORT
24	PC020289		HINGE PLATE LL
24A	PC020288		HINGE PLATE LR
25	PC920144		PLATE - WC DOOR SHIM
26	PD940090		BUSHING - WC DOOR LEVEL
27	PD940091		BUSHING - DOOR STOP
28	PC920145		PIN - DOOR STOP
29	PD940094		BUSHING
30	PC920149		BAR-WC BOT HINGE LH
30A	PC920166		BAR-WC BOT HINGE RH
31	PC910015		SPRING EXTENSION
32	PD940107		ROUND SPRING SPACER
33	M0221523		SCREW - SHLDR
34	000570-000		HEX SCREW
35	M0220417		SCREW-TC



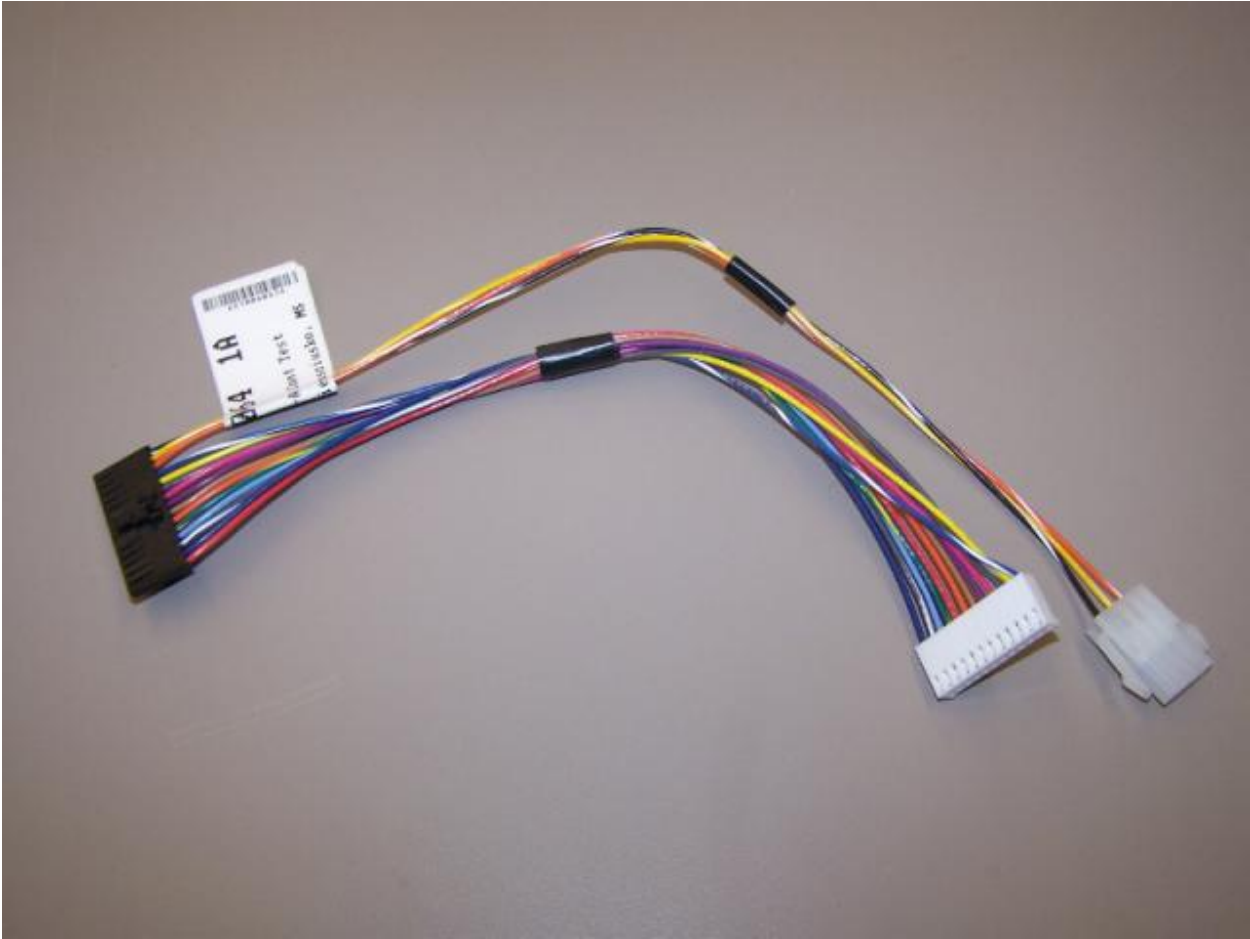
Ref #	Part Number	Qty.	Description
1	A3127415		EXT-FILL TUBE
2	G5096419		FILL TUBE ASSY 10942511
3	PB020304		PLASTIC TUBING-IM WATERLINE NON DISP (SXS & AF)
4	PA970012		SINGLE WATER VALVE



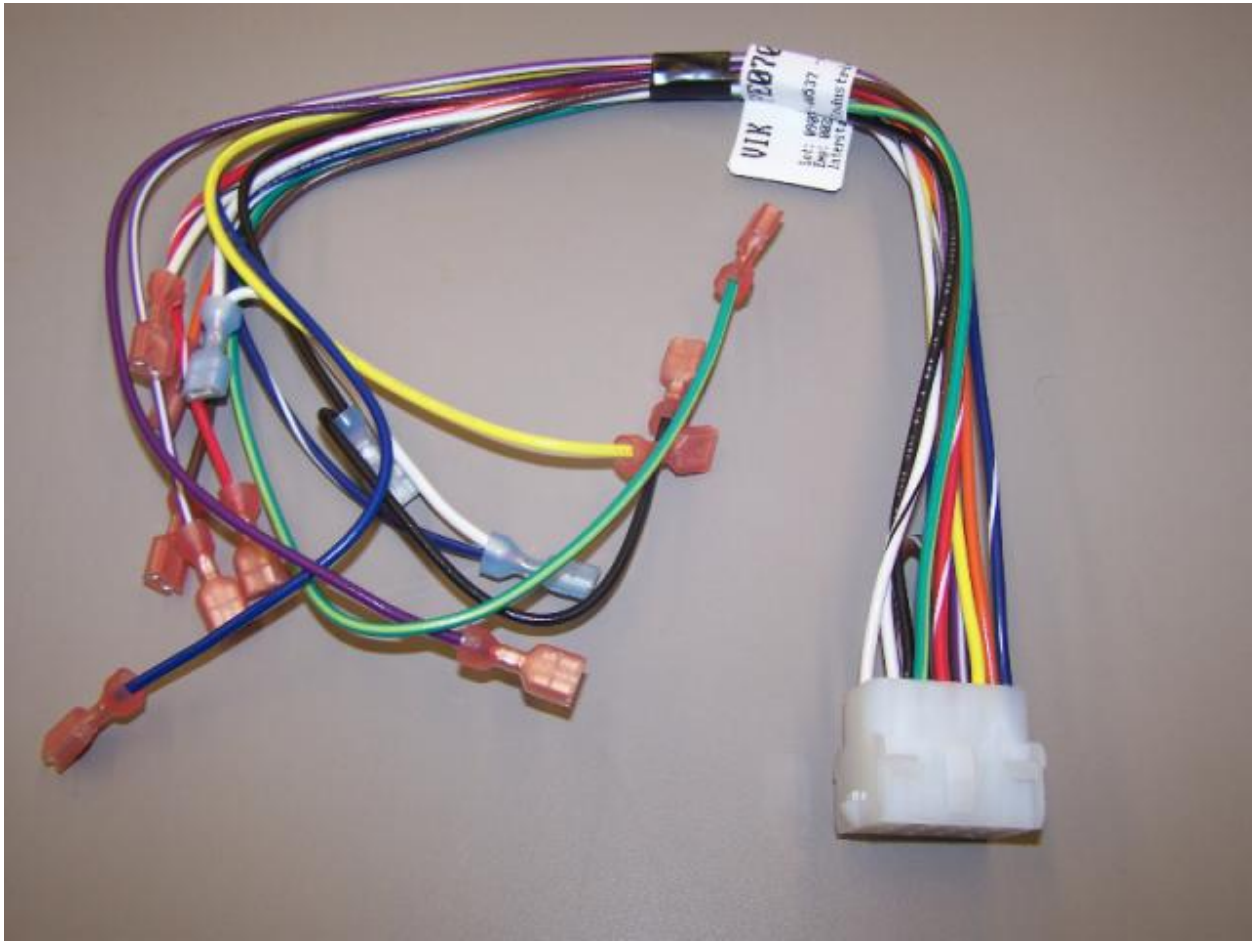
Ref #	Part Number	Qty.	Description
1	F2096507		TUBE-PROCESS GRN
2	G5097976		COMPRESSOR ASSEMBLY (363 AND 483) (INCLUDES DRIER)
3	F20910729		TUBE DISCHARGE FORMED AF AR 36
4	PB920171		CONDENSER ASM
5	G50912322		EVAP ASM AF 30
6	F20911307		TUBE FORMED HT EXCH AF 30
7	PB970187		INSULATION TUBING 57.500
8	F2096669		TUBE-DRIER COND
9	F2097740		TUBE PROCESS
10	10743201		DRIER, HI SIDE

*No Image  
Available*

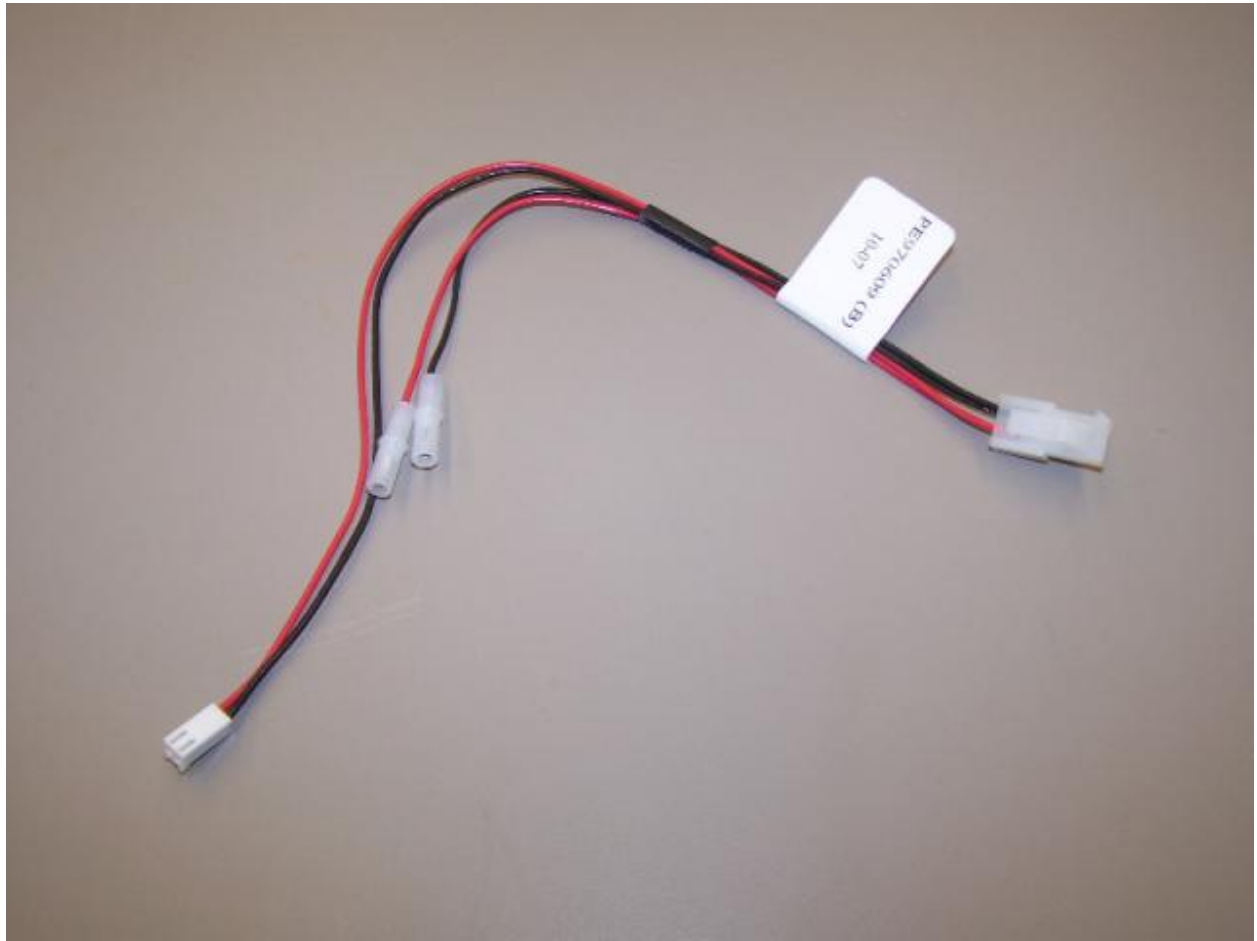
Ref #	Part Number	Qty.	Description
NI	PE970570		HARNESS MACH COMP AF 30



Ref #	Part Number	Qty.	Description
NI	PE970464		HARNESS LOW VOLT



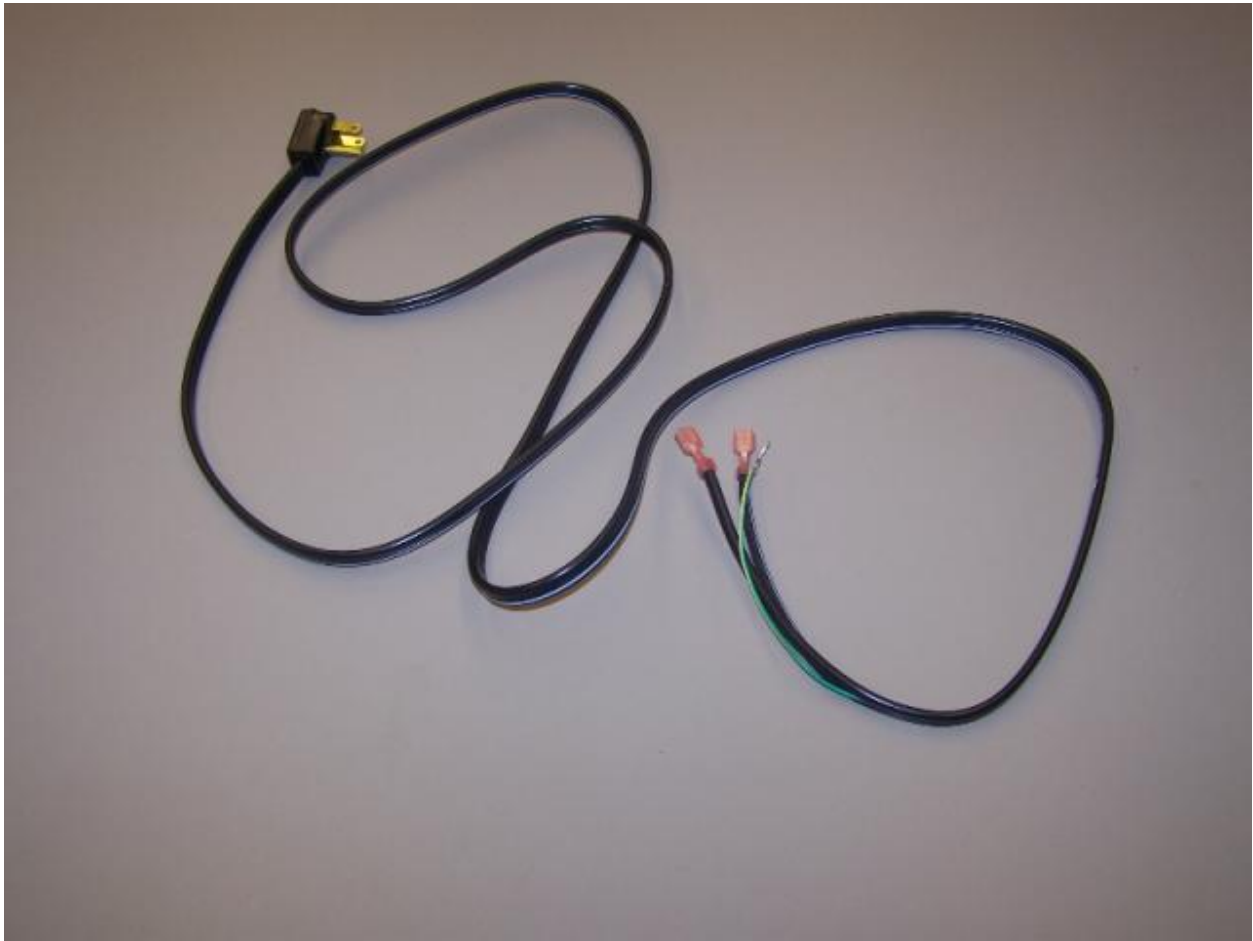
Ref #	Part Number	Qty.	Description
NI	PE070785		HARNESS HIGH VOLT



Ref #	Part Number	Qty.	Description
NI	PE970609		HARNESS CONTROL BOARD

*No Image  
Available*

Ref #	Part Number	Qty.	Description
NI	PE970570		HARNESS MACH COMP AF 30



Ref #	Part Number	Qty.	Description
NI	10916507		TUBE-PROCESS GRN

*No Image  
Available*

Ref #	Part Number	Qty.	Description
NI	044042-000	1	ALL FREEZER FLOAT SWITCH WIRING KIT (FOR UNITS MANUFACTURED BEFORE 1/9/13)