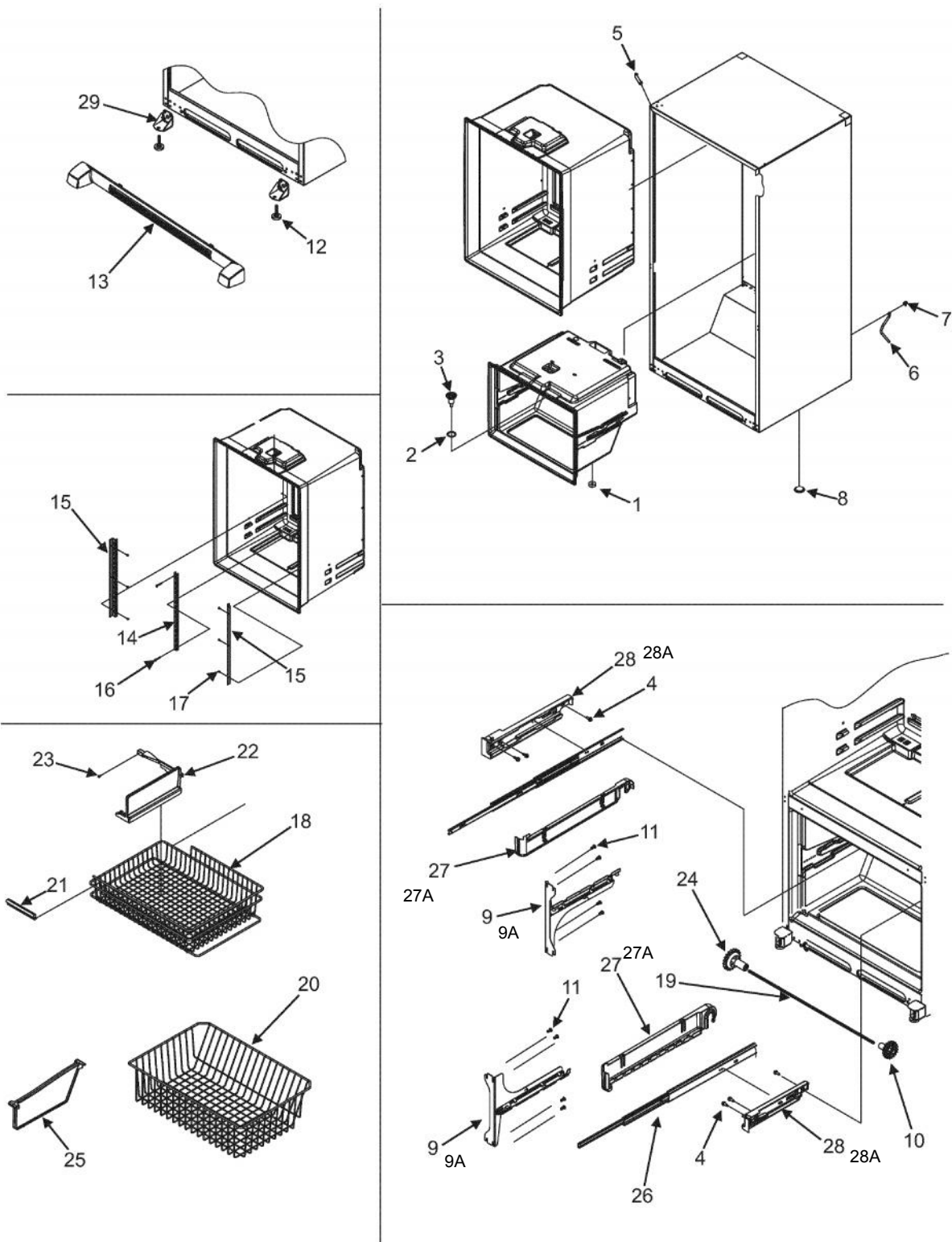
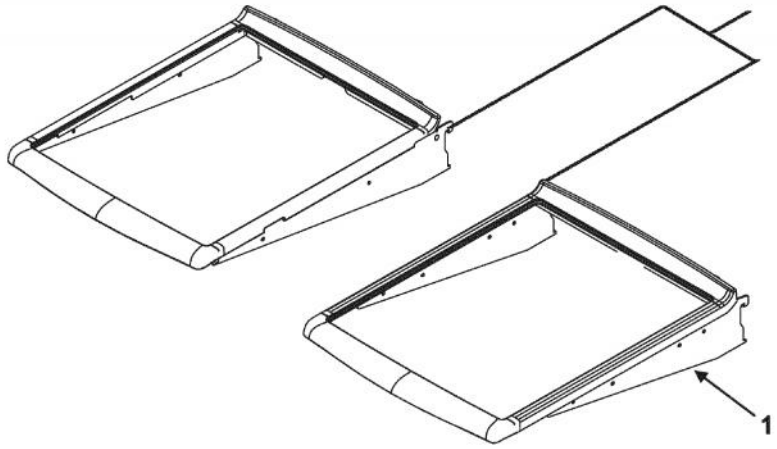
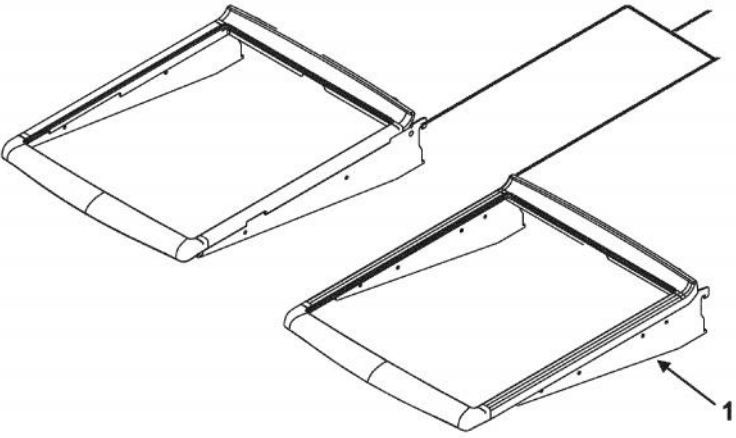


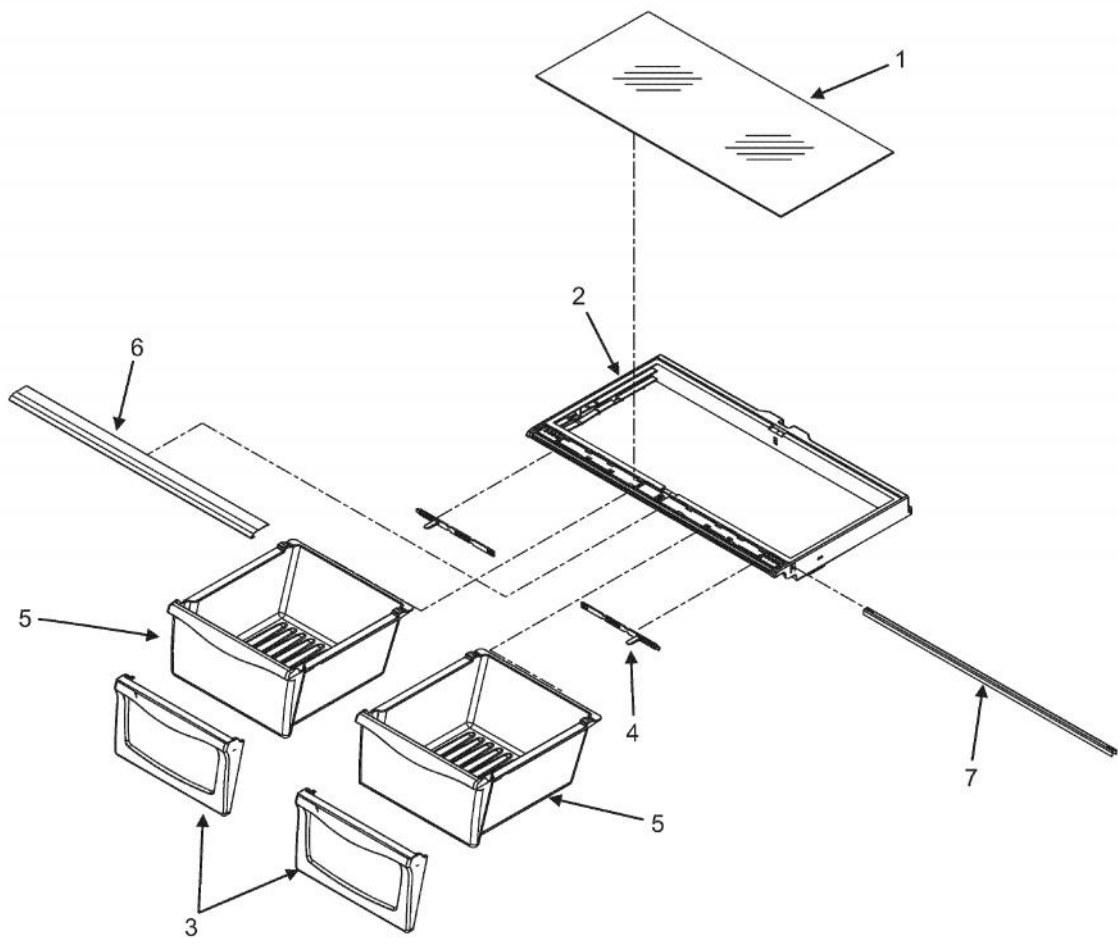
Ref #	Part Number	Qty.	Description
1	PS400044	2	LIGHT SWITCH (C3680310)
2	PS400234	1	LIGHT MODULE (67004078) VCFF/DDFF
3	PS400046	1	COVER, REFRIGERATOR LIGHT (67003897)
4	PS400047	1	MODULE, REFRIGERATOR CONTROL (67005444)
5	PS400048	1	CONTROL BOARD (W10207861)
6	PS400049	1	DAMPER COVER (67003899)
7	PS400050	1	INSERT, DAMPER COVER (67003900)
8	PS400051	2	SCREW, DAMPER BASE (67006602)
9	PS400052	1	LIGHT HOUSING (67003901)
10	PS400053	2	LIGHT SOCKET (12570701)
11	PS400054	2	LIGHT BULB (A0282812)
12	PS400055	1	KEYBOARD CONTROL
13	PS400056	1	CONTROL, DAMPER
14	PS400057	1	INSULATION, DAMPER CONTROL (67006604)
15	PS400058	1	COVER, FREEZER LIGHT (67003905)
16	PS400059	1	MODULE, FREEZER CONTROL (67003906)
17	PS400060	1	LIGHT HOUSING (67001035)
18	PS400053	1	LIGHT SOCKET (12570701)
19	PS400054	1	LIGHT BULB (A0282812)
20	PS400061	1	LIGHT SWITCH / INTERLOCK (12002646)
21	PS400062	1	SCREW, HOUSING (67006530)
22	PS400063	1	THERMISTOR
NI	PS400235	1	HARNES, FF CONTROL (67005417) VCFF/DDFF
NI	PS400065	1	HARNES, FZ CONTROL (67006094)



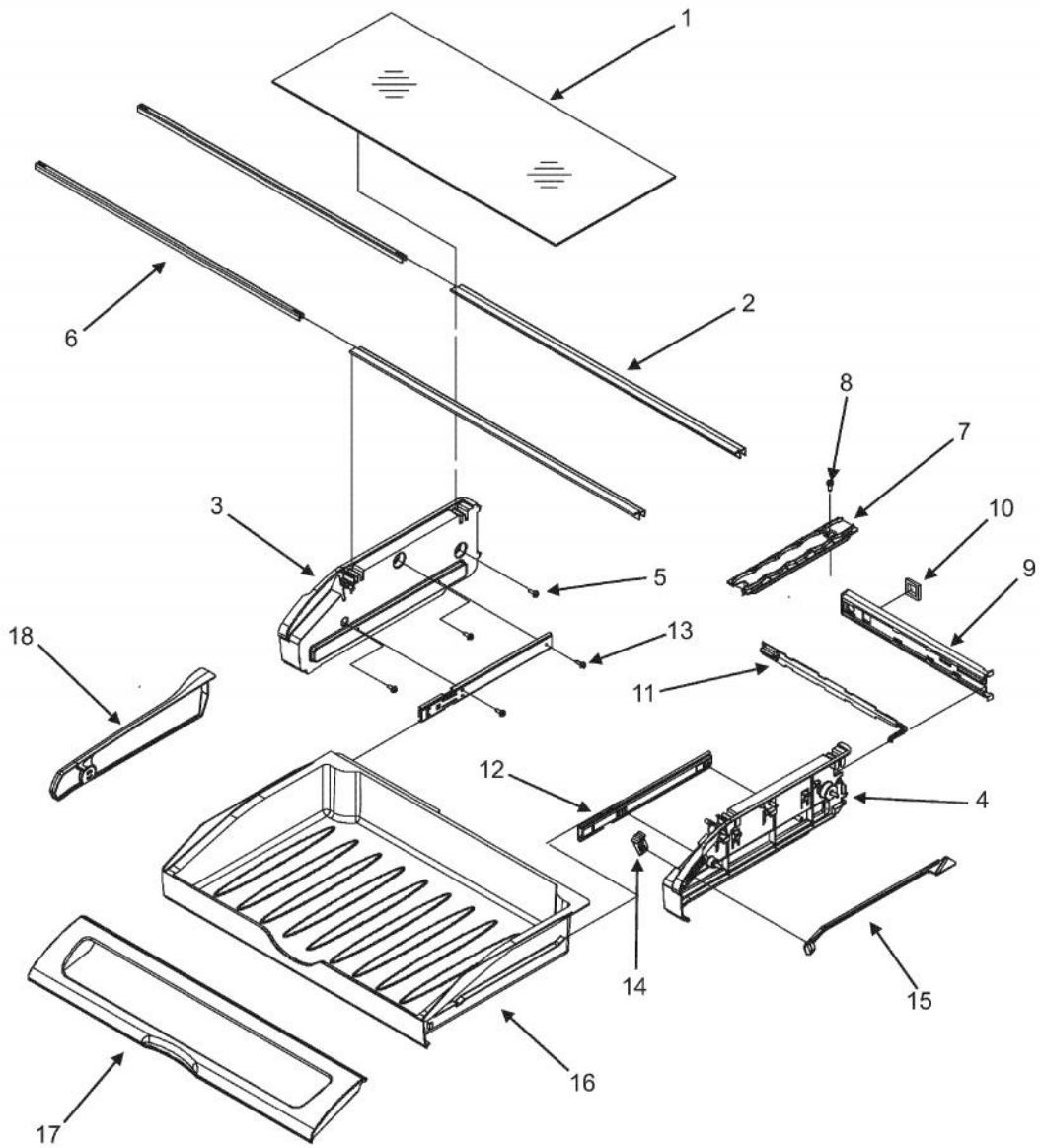
Ref #	Part Number	Qty.	Description
1	PS400090	1	GASKET, DRAIN TUBE
2	PS400091	1	SEAL, O-RING
3	PS400092	1	FUNNEL, DRAIN
4	PS400093	6	SCREW, ADAPTER (67006406)
5	PS400094	1	CORNER COVER (67003485)
6	PS400095	1	DRAIN TUBE (67001066)
7	PS400096	1	CLIP, DRAIN TUBE (67001067)
8	PS400097	1	PLUG, BUTTON
9	PS400098	1	BRACKET, DRAWER SLIDE - LH (12812503WD)
9A	PS400099	1	BRACKET, DRAWER SLIDE - RH (67004733)
10	PS400100	1	GEAR (LH / RH)
11	PS400101	8	SCREW, BRACKET (67006473)
12	PS400102	2	BRAKE, FOOT (67003868)
13	PS400103	1	TOE GRILLE (BLACK)
14	PS400104	1	RAIL, SHELF SUPPORT - CENTER (67001073)
15	PS400105	2	RAIL, SHELF SUPPORT - RH / LH (67002489)
16	PS400106	2	SCREW, CENTER RAIL (67006360)
17	PS400042	6	SCREW, SMALL (67006400)
18	PS400107	1	UPPER FREEZER BASKET (67004988)
19	PS400108	1	SHAFT, RACK (67004017)
20	PS400109	1	LOWER FREEZER BASKET (67006026)
21	PS400110	1	HANDLE, BASKET (10508506)
22	PS400111	1	DIVIDER, UPPER BASKET (67004127)
23	PS400112	1	SCREW, UPPER DIVIDER (67006608)
24	PS400113	1	GEAR, LEFT TRACK
25	PS400114	1	DIVIDER, LOWER BASKET (67004812)
26	PS400115	2	DRAWER SLIDE (12002684)
27	PS400116	1	BASKET CRADLE - LEFT TRACK (67004728)
27A	PS400117	1	BASKET CRADLE - RIGHT TRACK (67004729)
28	PS400118	1	ADAPTER - LEFT TRACK (67004971)
28A	PS400119	1	ADAPTER RIGHT TRACK (67004972)
29	PS400120	2	BRACKET, FOOT CABINET (67007174)
NI	PS400121	1	SCREW, BRACKET (67006491)



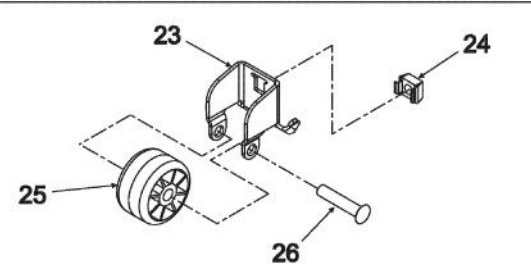
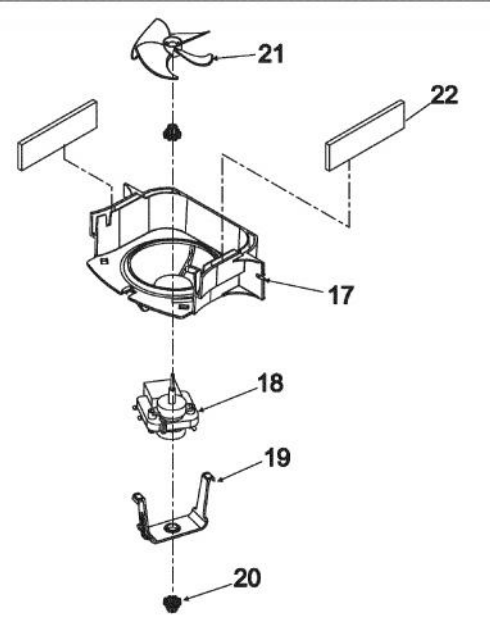
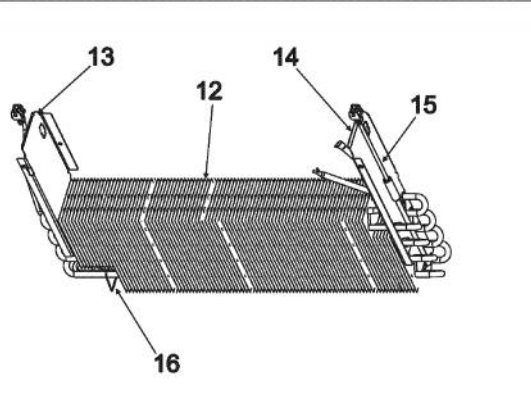
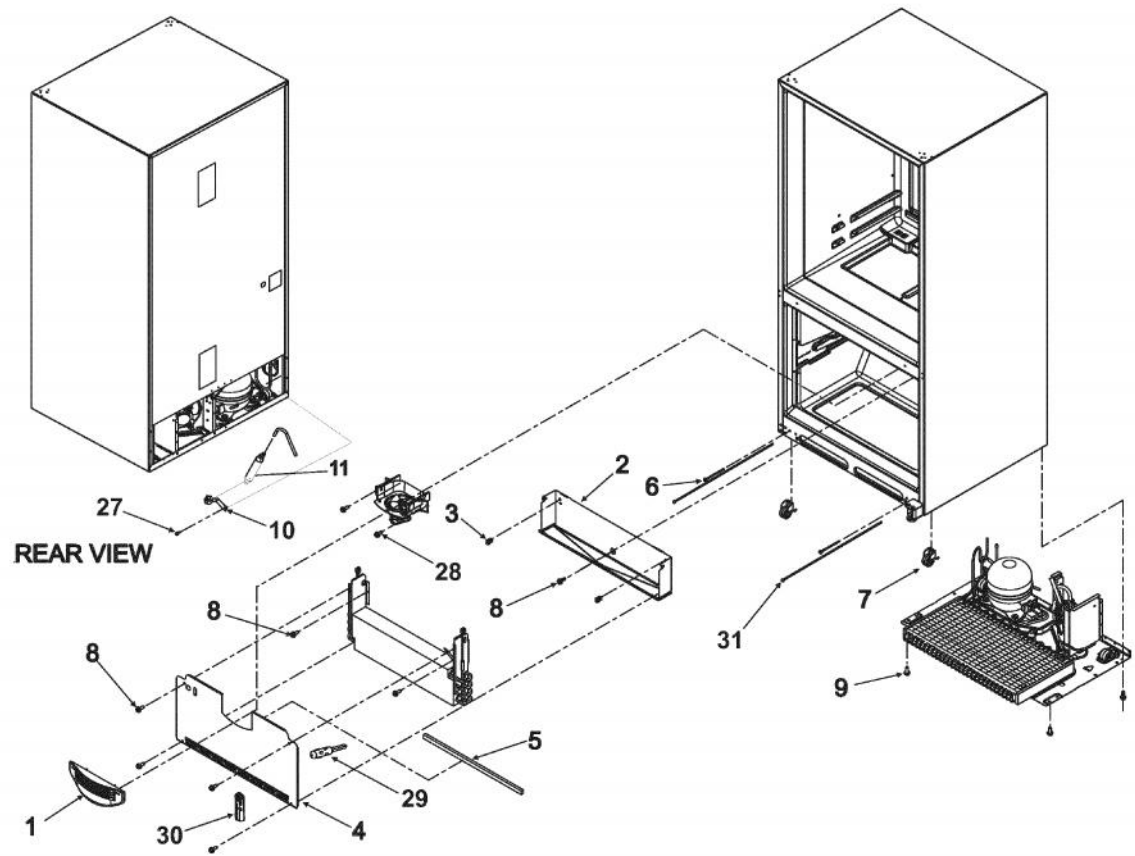
Ref #	Part Number	Qty.	Description
1	PS400066	2	SHELF, GLIDE OUT (67003169)



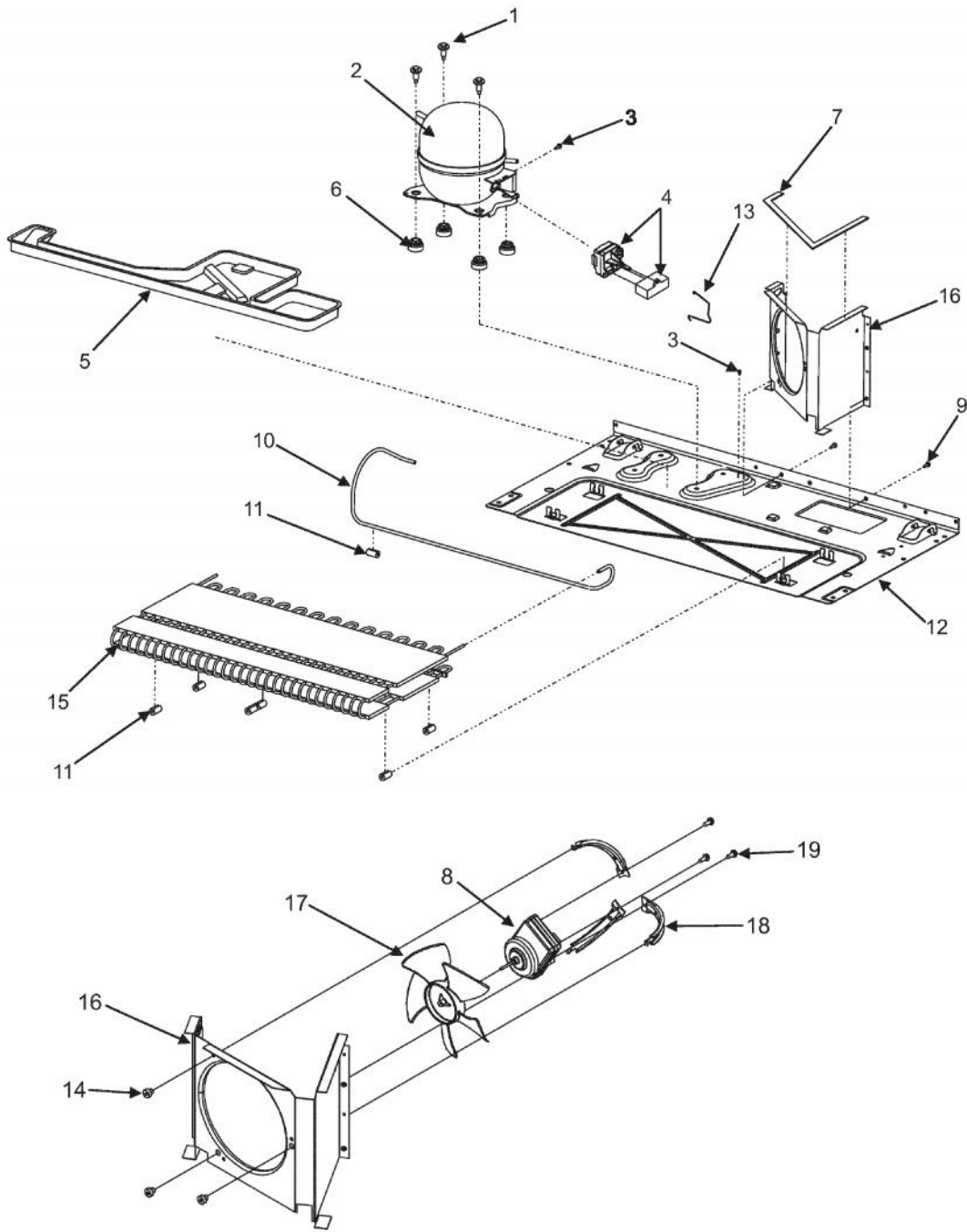
Ref #	Part Number	Qty.	Description
1	PS400067	1	GLASS, CRISPER (67006655)
2	PS400068	1	FRAME, CRISPER (67006185)
3	PS400069	3	FRONT, CRISPER PAN (67005926)
4	PS400070	2	SLIDE, HUMIDITY CONTROL (Y67001287)
5	PS400071	2	CRISPER PAN (67002659)
6	PS400072	1	EXTRUSION, CRISPER FRONT (W10231489)
7	PS400073	1	BRACE, CRISPER



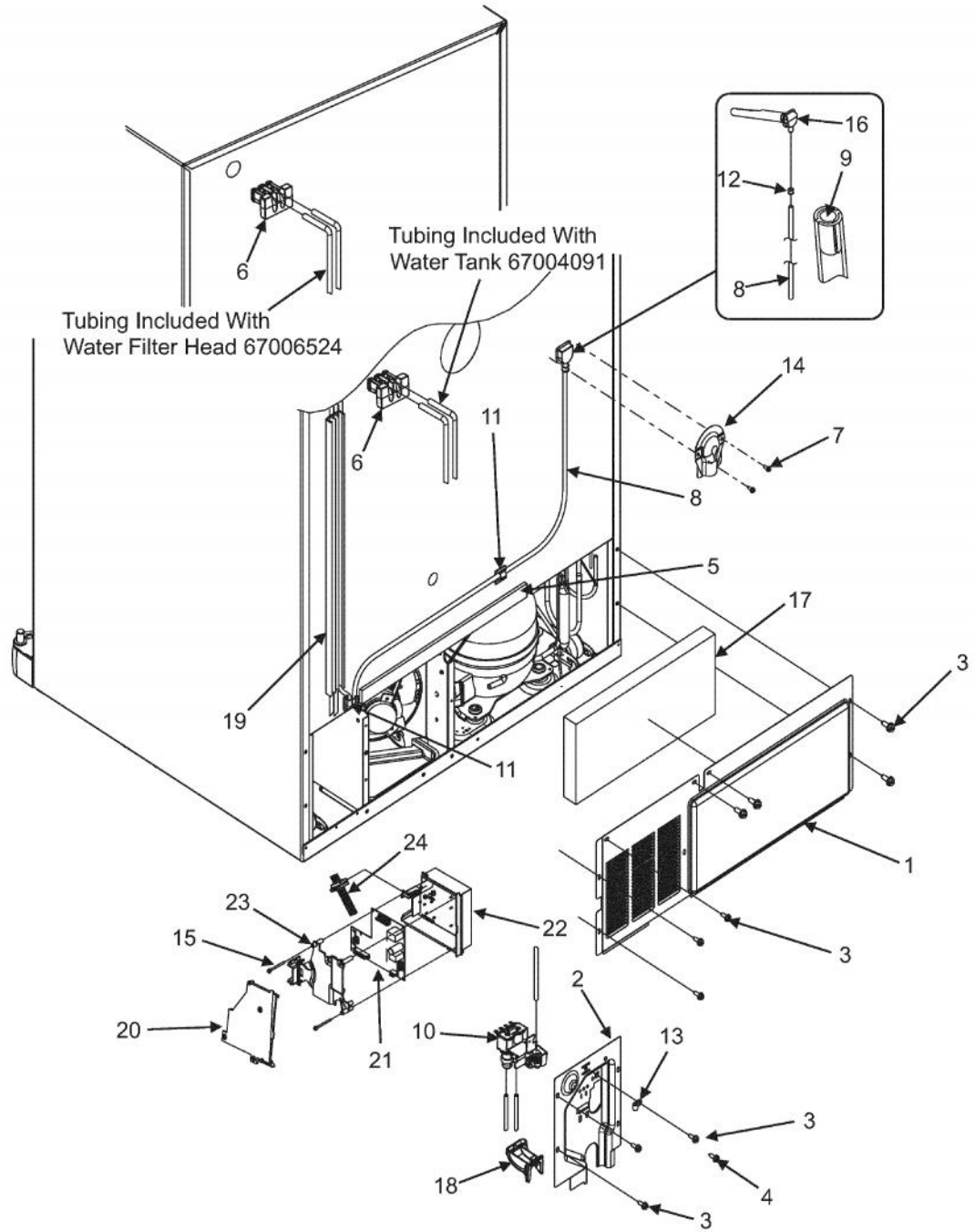
Ref #	Part Number	Qty.	Description
1	PS400074	1	GLASS, PANTRY (67002332)
2	PS400075	2	EXTRUSION, GLASS SUPPORT (67006010)
3	PS400076	1	END CAP, LH PANTRY
4	PS400077	1	END CAP, RH PANTRY
5	PS400078	1	SCREW, END CAP (67006415)
6	PS400079	2	BRACE, PANTRY (67002330)
7	PS400080	1	TRACK, DELI DRAWER (67001719)
8	PS400042	1	SCREW, SMALL (67006400)
9	PS400081	1	CONTROL HOUSING (67005625)
10	PS400082	1	GASKET, PANTRY (67002329)
11	PS400083	1	TEMP CONTROL SLIDE (67003793)
12	PS400084	2	GLIDE, PANTRY DRAWER (67007026)
13	PS400013	1	SCREW, DOOR STOP (67006287)
14	PS400085	1	KNOB, TEMP CONTROL (67003791)
15	PS400086	1	BAR, TEMP CONTROL (67003794)
16	PS400087	1	DRAWER, PANTRY (67003530)
17	PS400088	1	LID, PANTRY (67006736)
18	PS400089	1	DIVIDER, PANTRY (67002321)



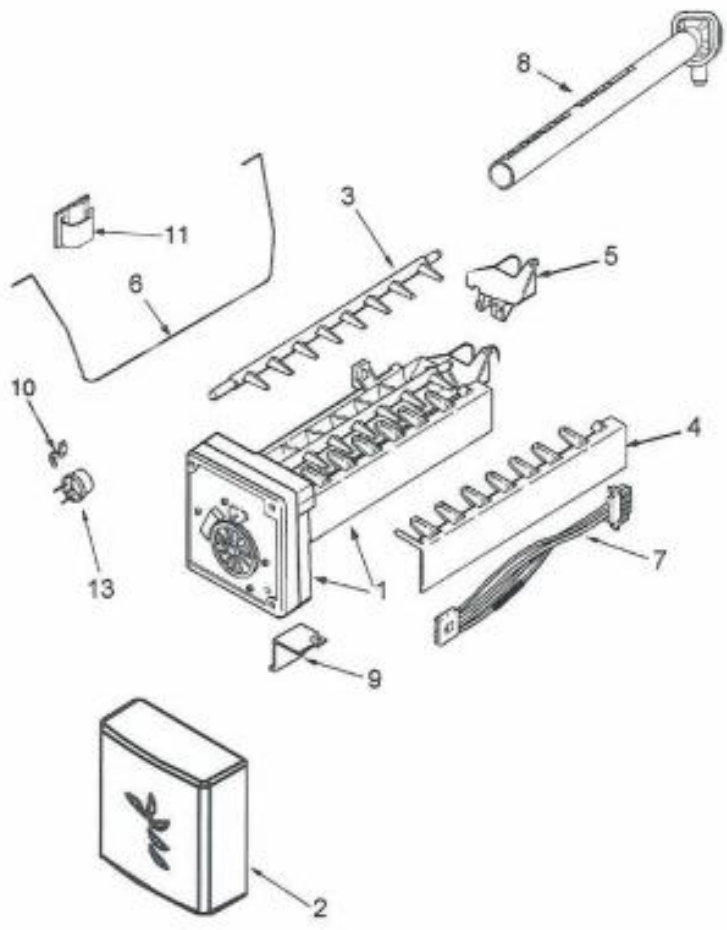
Ref #	Part Number	Qty.	Description
1	PS400122	1	AIR GRILLE - FREEZER (67006609)
2	PS400123	1	DRIP TRAY, E-CT (67002490)
3	PS400124	2	CLIP, EVAPORATOR
4	PS400125	1	COVER, EVAPORATOR (67005873)
5	PS400126	1	GASKET (A3189396)
6	PS400127	2	SCREW, ADJUSTABLE ROLLER (67006611)
7	PS400128	2	ROLLER BRACKET ASSEMBLY (12580304)
8	PS400129	7	SCREW, SMALL (67006425)
9	PS400130	3	SCREW (67006573)
10	PS400131	1	CLIP, DRIER (10547002)
11	PS400132	1	DRIER (B2150504)
12	PS400133	1	EVAPORATOR KIT (INC. EVAP, HT. SHLD, & INST.) (12002041)
13	PS400134	1	DAM, LEFT RETURN (67001083)
14	PS400135	1	DAM, RIGHT RETURN (67001084)
15	PS400136	1	HEATER, EVAPORATOR (67002493)
16	PS400137	1	CLIP, HEATER
17	PS400138	1	SHROUD, EVAPORATOR FAN (67002777)
18	PS400139	1	MOTOR, EVAPORATOR FAN (67003636)
19	PS400140	1	CLIP, EVAPORATOR MOTOR (67005633)
20	PS400141	1	GROMMET, FAN MOTOR (67002780)
21	PS400142	1	FAN, EVAPORATOR
22	PS400143	1	FOAM GASKET (67001291)
23	PS400144	1	ROLLER BRACKET (12456801)
24	PS400145	1	SPEED NUT (M0286708)
25	PS400146	1	ROLLER (67005127)
26	PS400147	1	RIVET (M1205302)
27	PS400148	1	SCREW, CLIP (67006737)
28	PS400013	2	SCREW, DOOR STOP (67006287)
29	PS400063	1	THERMISTOR
30	PS400149	1	COVER, FREEZER THERMISTOR (67003924)
31	PS400150	1	SCREW, ADJUSTING ROD (67006697)
NI	PS400151	1	DEFROST THERMOSTAT (67003426)
NI	PS400152	1	HARNES, EVAPORATOR HEATER (67005574)



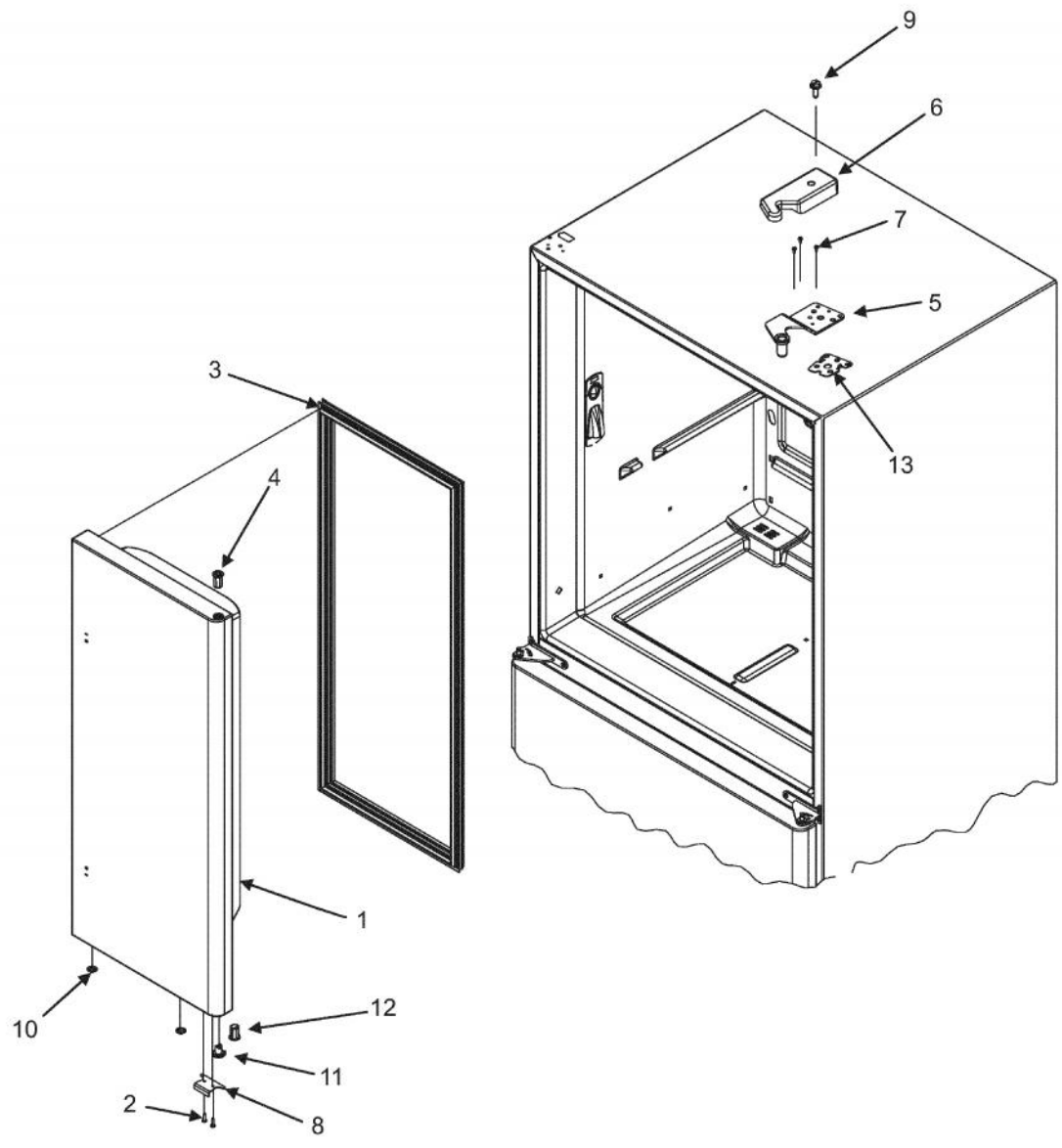
Ref #	Part Number	Qty.	Description
1	PS400153	3	SCREW, COMPRESSOR (67006432)
2	PS400154	1	COMPRESSOR KIT (8201555)
3	PS400155	2	GROUND SCREW (67006433)
4	PS400156	1	OVERLOAD AND RELAY W/CAPICITOR (67005560)
5	PS400157	1	DRAIN PAN (67007175)
6	PS400158	4	GROMMET, COMPRESSOR (67003493)
7	PS400159	1	SEAL, CONDENSER SHROUD (61003210)
8	PS400160	1	MOTOR, CONDENSER FAN (67004432)
9	PS400129	2	SCREW, SMALL (67006425)
10	PS400161	1	DISCHARGE TUBE (67004700)
11	PS400162	1	GROMMET CONDENSER (67005680)
12	PS400163	1	BASE PAN (67005889)
13	PS400164	1	BALE STRAP (12576801)
14	PS400165	3	GROMMET BRACKET (61004743)
15	PS400166	1	CONDENSER (67006131)
16	PS400167	2	SHROUD, CONDENSER FAN (67001090)
17	PS400168	1	BLADE, CONDENSER FAN (67004952)
18	PS400169	1	BRACKET, CONDENSER MOTOR (67004953)
19	PS400170	3	SCREW, BRACKT (67004954)
NI	PS400171	1	HARNES, MC (67005435)



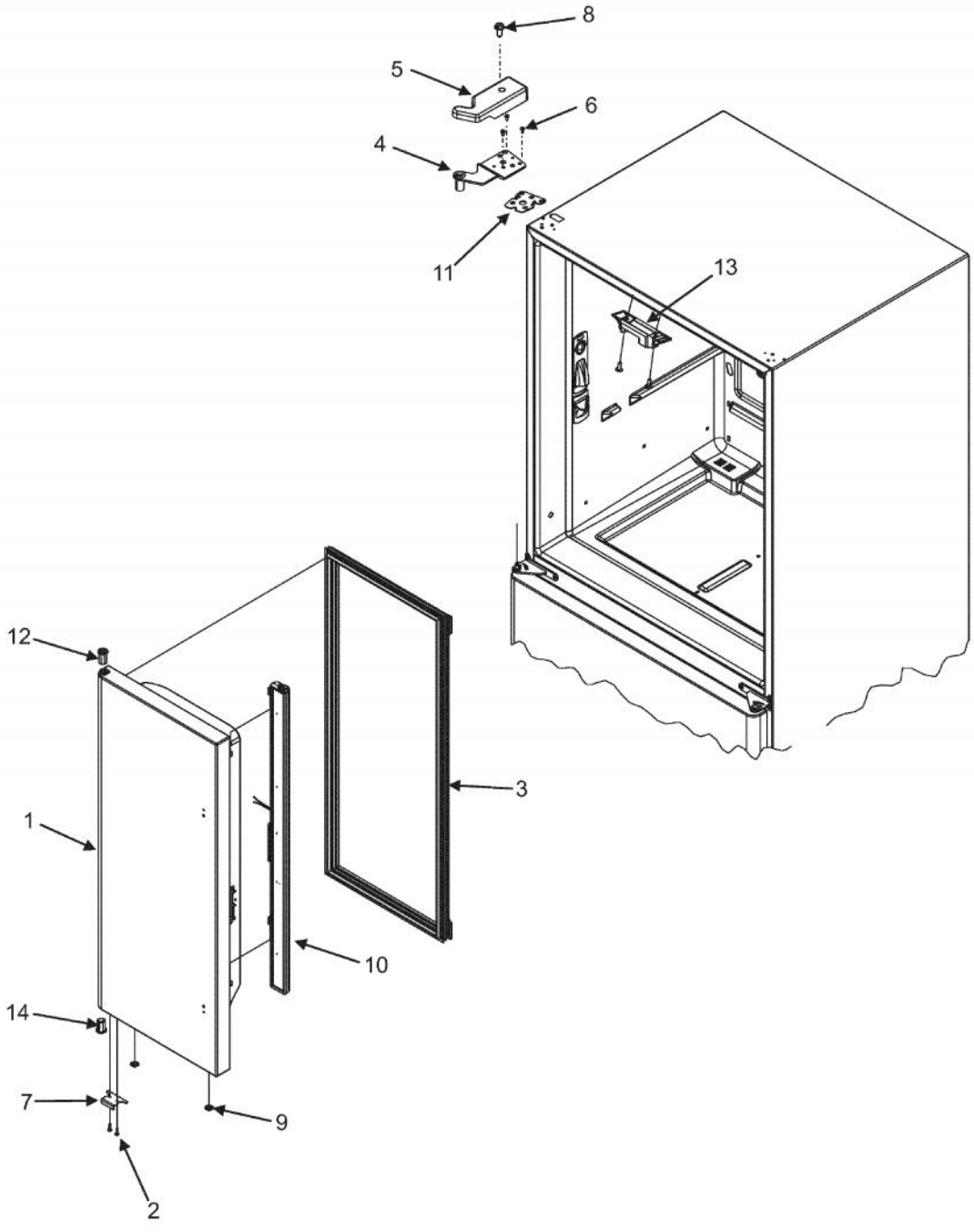
Ref #	Part Number	Qty.	Description
1	PS400172	1	COVER, MC BACK (67006101)
2	PS400173	1	COVER, WATER VALVE (67004098)
3	PS400129	10	SCREW, SMALL (67006425)
4	PS400174	1	SCREW, VALVE (67006662)
5	PS400175	1	GASKET
6	PS400176	1	BLOCK, FILTER (67004092)
7	PS400013	2	SCREW, DOOR STOP (67006287)
8	PS400177	1	PLASTIC TUBE (B5705307)
9	PS400178	1	INSERT, TUBE
10	PS400179	1	DUAL WATER VALVE (67006531)
11	PS400180	1	CLIP
12	PS400181	1	CLIP, SPEED (M0114003)
13	PS400182	1	CLAMP, TUBE
14	PS400183	1	COVER, WATER LINE (67003331)
15	PS400184	2	SCREW, HV BOX (67006550)
16	PS400185	1	ELBOW, FILL TUBE
17	PS400186	1	ACOUSTIC FIBER (67003796)
18	PS400187	1	DUAL TUBE SWEEP (67004101)
19	PS400188	1	WATERLINE TRACK (67004102)
20	PS400189	1	COVER, HV BOX (67005421)
NI	PS400190	1	SCREW, HV BOX COVER (67006615)
21	PS400191	1	HV BOARD (INC. INSTRUCTIONS)
22	PS400192	1	BOX, HV CONTROL (67004969)
23	PS400193	1	SPACER, HV BOX (67005418)
24	PS400194	1	HARNESS, HV BOARD (67005419)
NI	PS400195	1	POWER CORD (67006506)



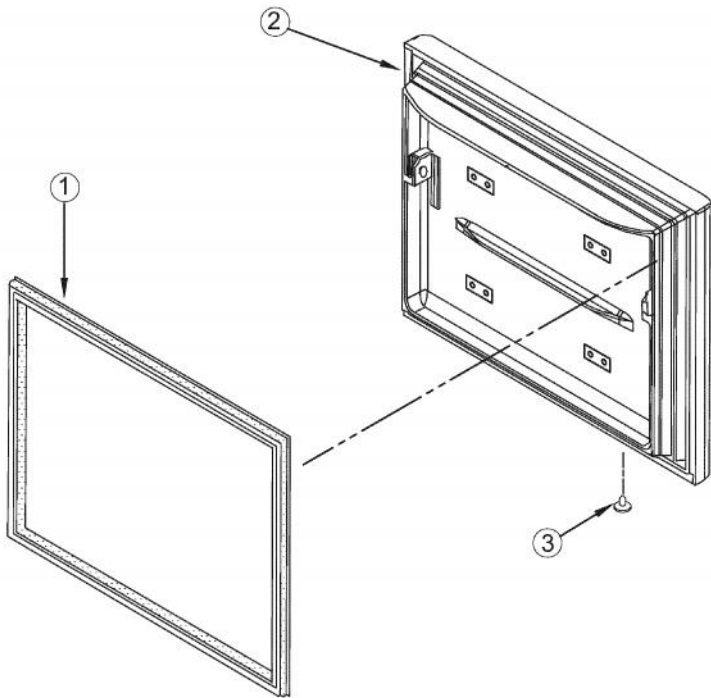
Ref #	Part Number	Qty.	Description
1	PS400196	1	ICE MAKER ASSEMBLY
NI	PS400197	1	BRACKET, ICE MAKER (67002823)
NI	PS400013	1	SCREW, DOOR STOP (67006287)
2	PS400198	1	COVER, ICE MAKER (67004710)
3	PS400199	1	ICE EJECTOR
4	PS400200	1	ICE STRIPPER
5	PS400201	1	WATER INLET (95100-1)
6	PS400202	1	IM SHUTOFF ARM (67004028)
7	PS400203	1	HARNESS, ICE MAKER (W10146389)
8	PS400185	1	ELBOW, FILL TUBE
9	PS400204	1	BRACKET, MODULE AND HEATER (95107-1)
NI	PS400205	1	SCREW, BRACKET (95108-1)
10	PS400206	1	RETAINER, THERMOSTAST (95104-1)
11	PS400180	1	CLIP
NI	PS400207	1	ICE PAN (67001255)
13	N/A	1	MUST ORDER PS400196
NI	PS400208	1	COUPLING (10244904)
NI	PS400209	1	ICE MAKER HOOK UP KIT (R0131235) (INC. 1/4" X 25' COPPER TUBING, SADDLE VALVE, AND 1/4" COMPRESSION NUT AND SLEEVE)



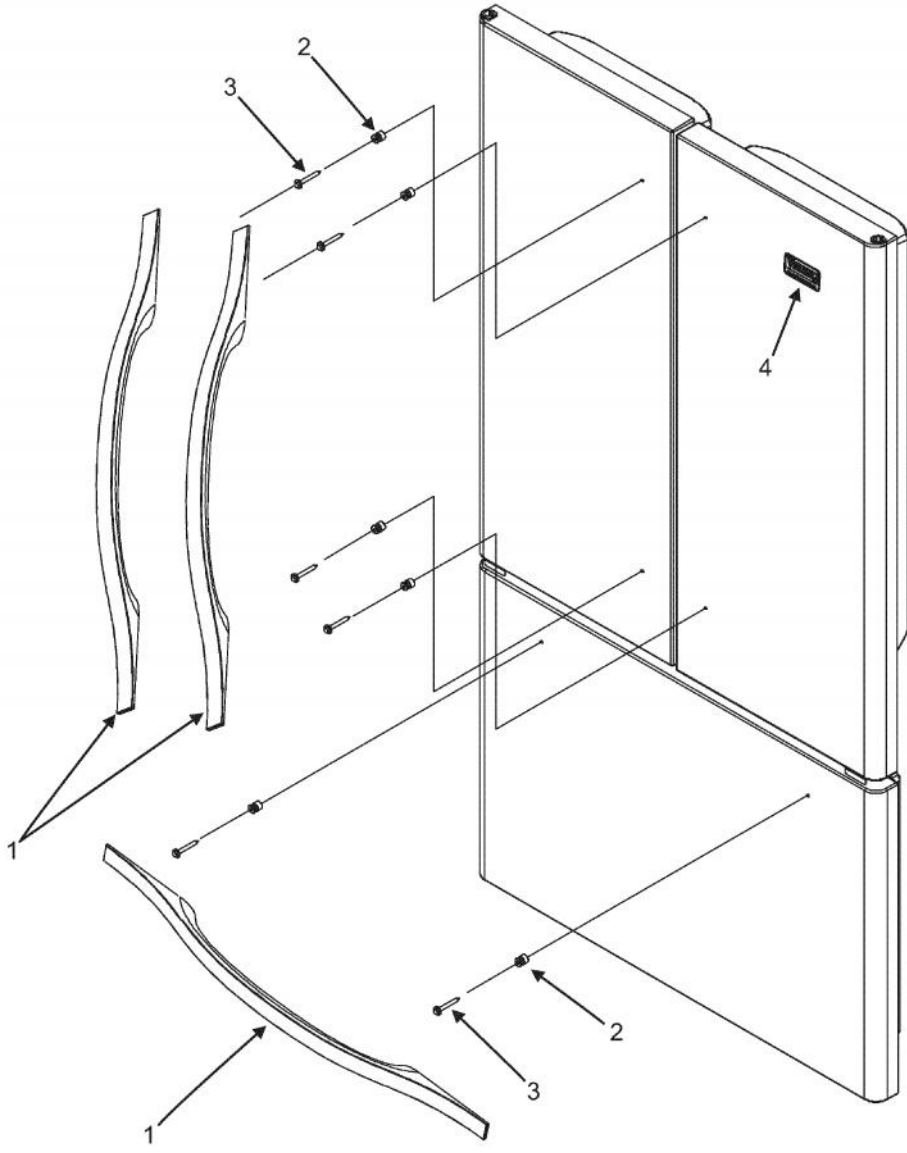
Ref #	Part Number	Qty.	Description
1	PS400237	1	LEFT REFRIGERATOR DOOR (SS) (67006813) VCFF/DDFF
2	PS400013	2	SCREW, DOOR STOP (67006287)
3	PS400216	1	GASKET, FRENCH DOOR 67003547
4	PS400222	1	BUSHING, DOOR, BLACK (UPPER LEFT)
5	PS400217	1	TOP HINGE 12626908
6	PS400218	1	COVER, TOP HINGE 67006726
7	PS400010	3	GEAR (LH & RH)
8	PS400012	1	180 DEGREE DOOR STOP BK (67003780)
9	PS400015	1	SCREW, TOP HINGE COVER (67006521)
10	PS400016	2	PLUG, VENT (67004838)
11	PS400221	1	SHIM, HINGE
12	PS400225	1	BUSHING, BOTTOM DOOR (67002721)



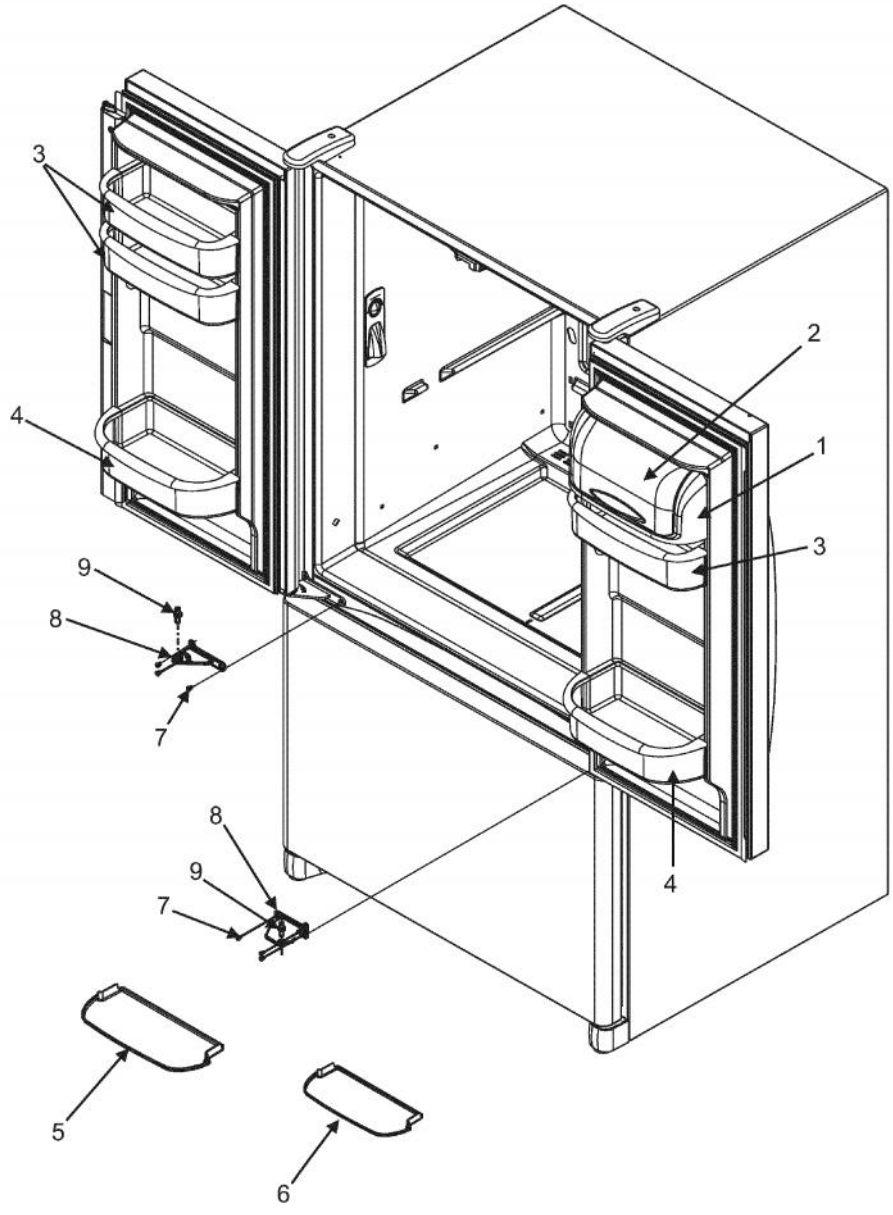
Ref #	Part Number	Qty.	Description
1	PS400238	1	RIGHT REFRIGERATOR DOOR (13024015SQ) VCFF/DDFF
2	PS400013	2	SCREW, DOOR STOP (67006287)
3	PS400216	1	GASKET, FRENCH DOOR 67003547
4	PS400006	1	HINGE, TOP RIGHT
5	PS400008	1	COVER, RIGHT HINGE, BLACK
6	PS400010	3	GEAR (LH & RH)
7	PS400012	1	180 DEGREE DOOR STOP BK (67003780)
8	PS400015	1	SCREW, TOP HINGE COVER (67006521)
9	PS400016	2	PLUG, VENT (67004838)
10	PS400219	1	VERTICAL MULLION ASSEMBLY 12722803B
11	PS400014	1	DOOR CLOSURE (67003639)
12	PS400000	1	DOOR BUSHING (BLACK) (67004978)
13	PS400221	1	SHIM, HINGE
14	PS400227	1	BUSHING, BOTTOM DOOR (67002731)



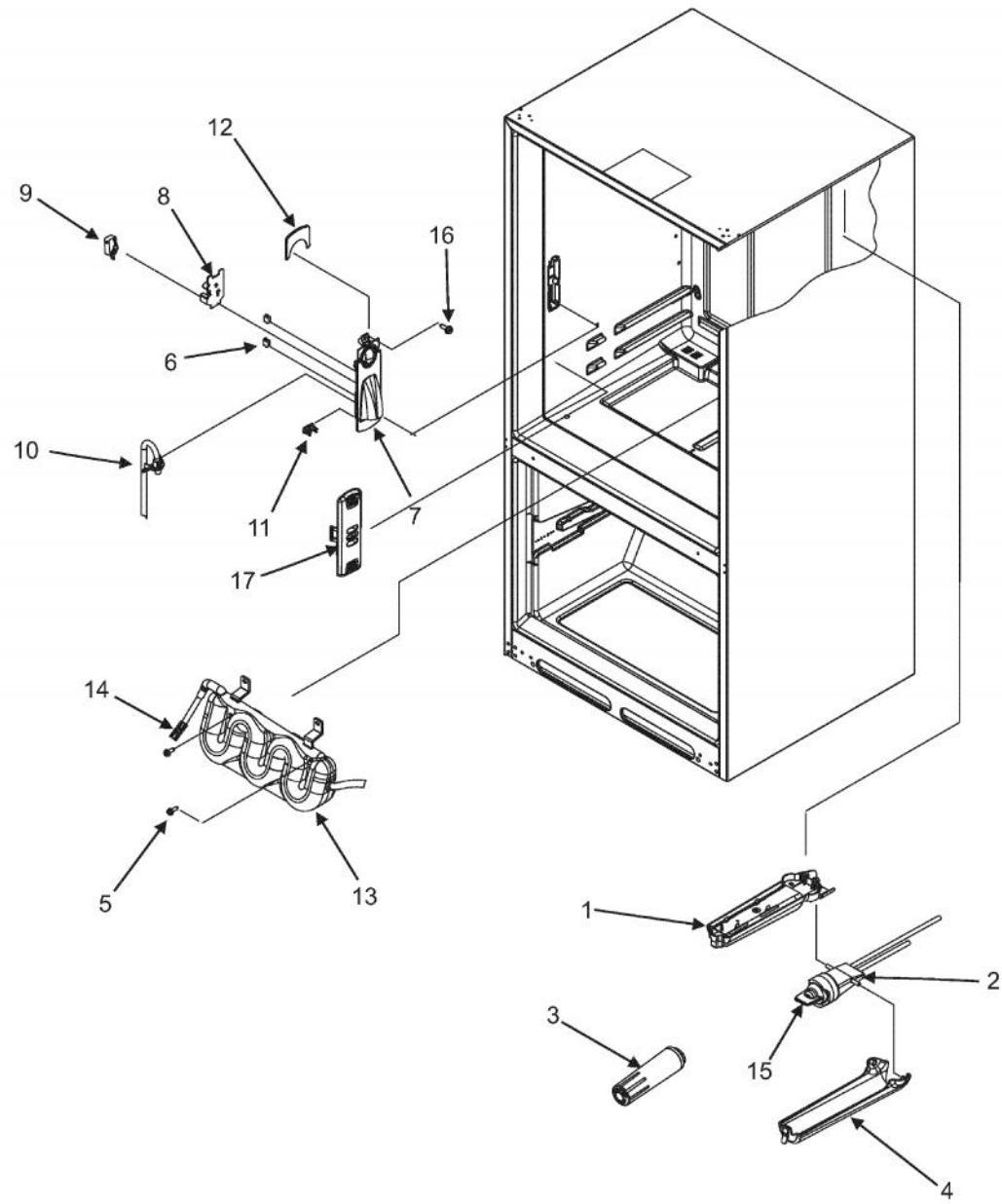
Ref #	Part Number	Qty.	Description
1	PS400230	1	GASKET, FREEZER DOOR (67003559)
2	010926-000	1	FREEZER DOOR ASSEMBLY
3	PS400016	2	PLUG, VENT (67004838)



Ref #	Part Number	Qty.	Description
1	PE030188	3	DESIGNER HANDLE REF-OUTSOURCED 67006725
2	PS400213	6	MOUNT, HANDLE 67006109
3	PS400212	6	SCREW, HANDLE 340184
4	PS400430	1	PRO LOGO (67006680)



Ref #	Part Number	Qty.	Description
1	PS400017	1	DAIRY TRAY (67001279)
2	PS400018	1	DAIRY DOOR (67006727)
3	PS400025	3	BUCKET, MEDIUM (W/GRIPPER)
4	PS400231	2	REFRIGERATOR DOOR SHELF - GALLON (INC. GRIPPER) (6...
5	PS400232	1	GRIPPER, GALLON DOOR SHELF (67006789)
6	PS400026	1	GRIPPER, MEDIUM (67006731)
7	PS400024	2	SCREW, CENTER HINGE (67006380)
8	PS400233	2	CENTER HINGE (67002027)
9	PS400022	2	PIN, CENTER HINGE (67006642)



Ref #	Part Number	Qty.	Description
1	PS400029	1	FILTER BACKING PLATE (67001668)
2	PS400030	1	WATER FILTER HEAD (W/TUBING) (67006524)
3	SALES ITEM	1	WATER FILTER
4	PS400031	1	COVER, FILTER
5	PS400013	2	SCREW, DOOR STOP (67006287)
6	PS400032	2	FACADE CLIP (B8390302)
7	PS400033	1	FACADE DISPENSER (W10158503)
8	PS400034	1	SWITCH PLATE (67002742)
9	PS400035	1	SWITCH, LIMIT
10	PS400036	1	WATER LINE GUIDE (67002743)
11	PS400037	1	WATER LINE CLIP (67002816)
12	PS400038	1	TOP, FACADE DISPENSER (67006733)
13	PS400039	1	WATER TANK (W10153959)
14	PS400040	1	UNION (5/16 X 5/16)
15	PS400041	1	BYPASS PLUG (12664501)
16	PS400042	1	SCREW, SMALL (67006400)
17	PS400043	1	COVER, CHILLER VENT (67006111)