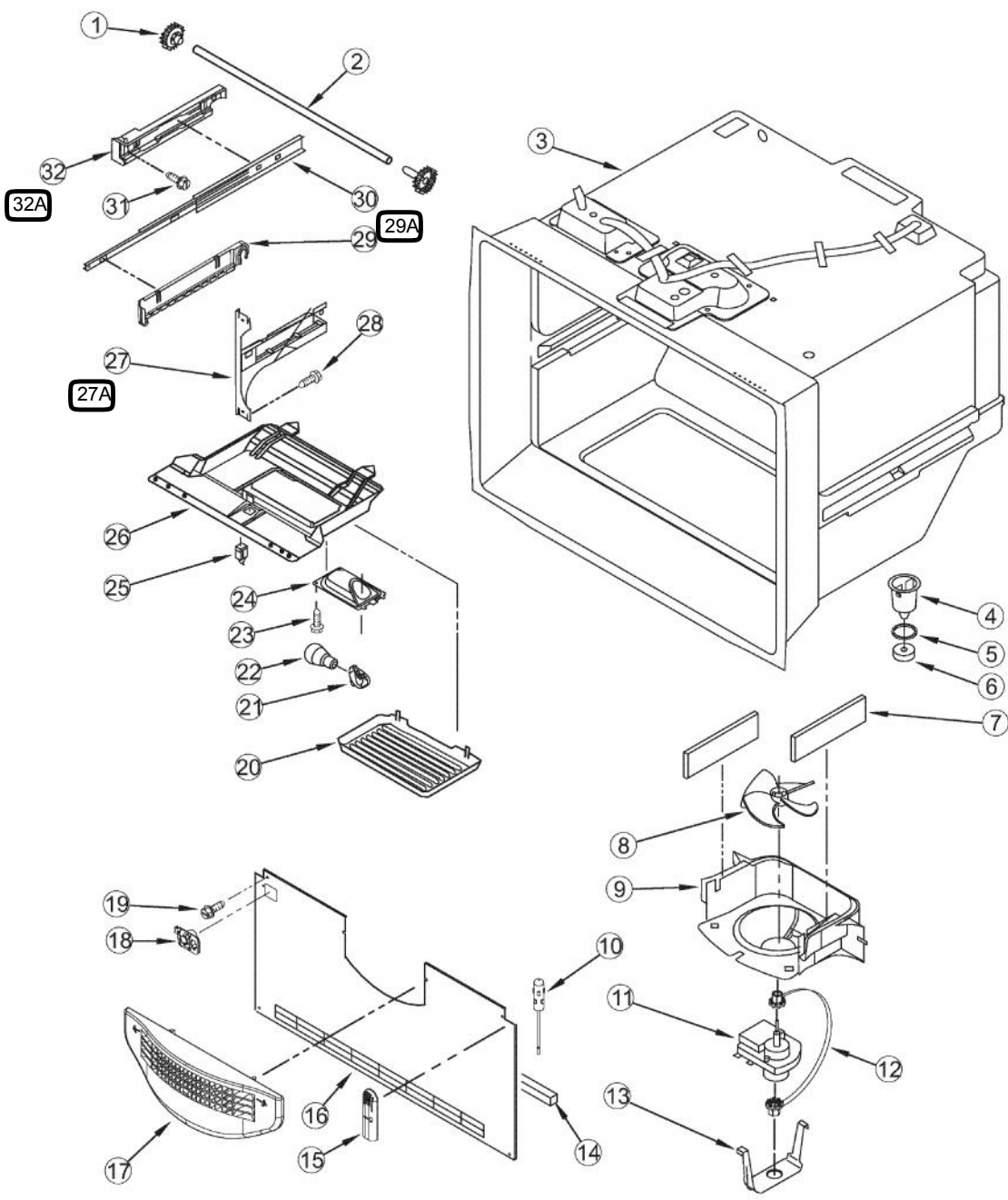
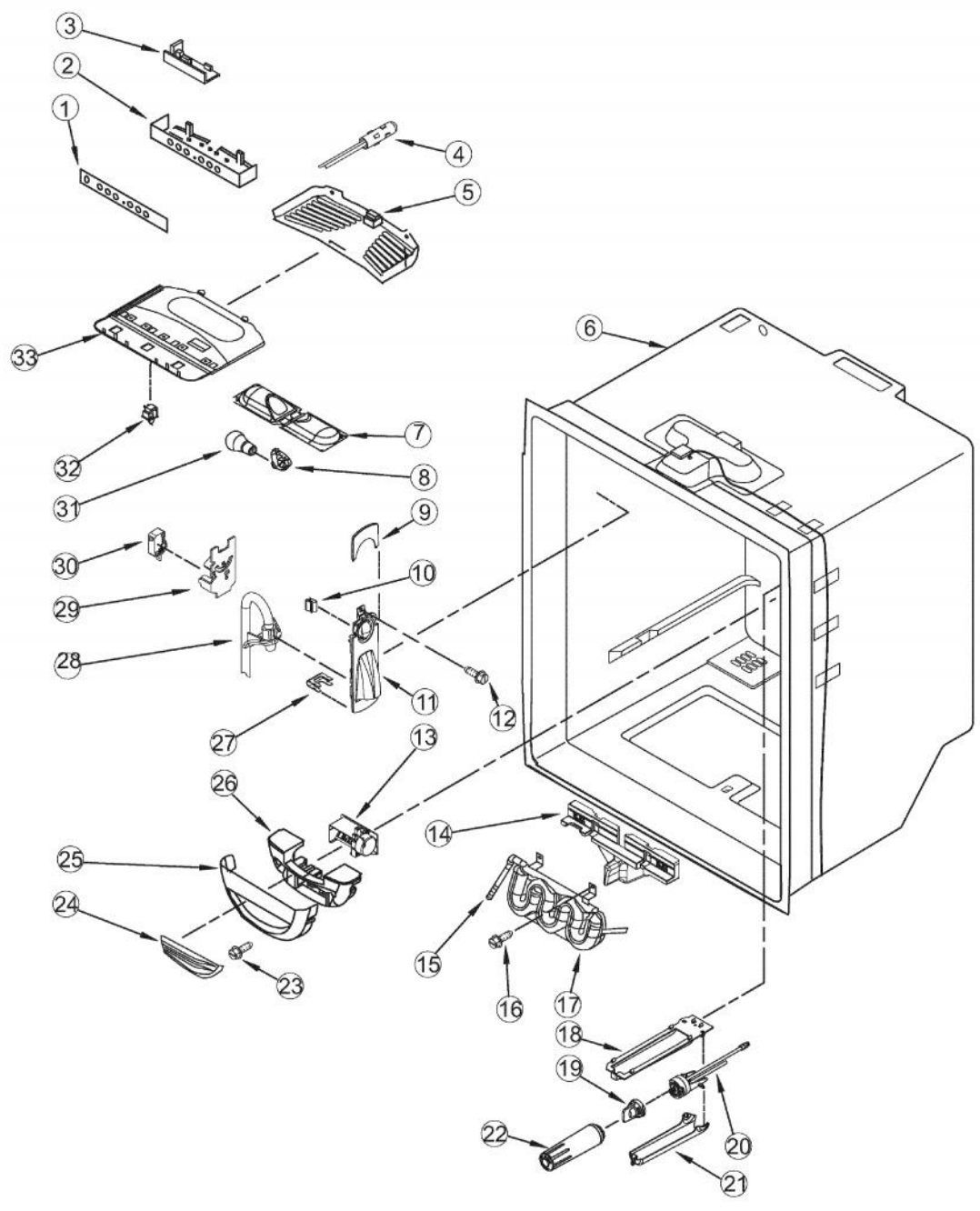


*No Image
Available*

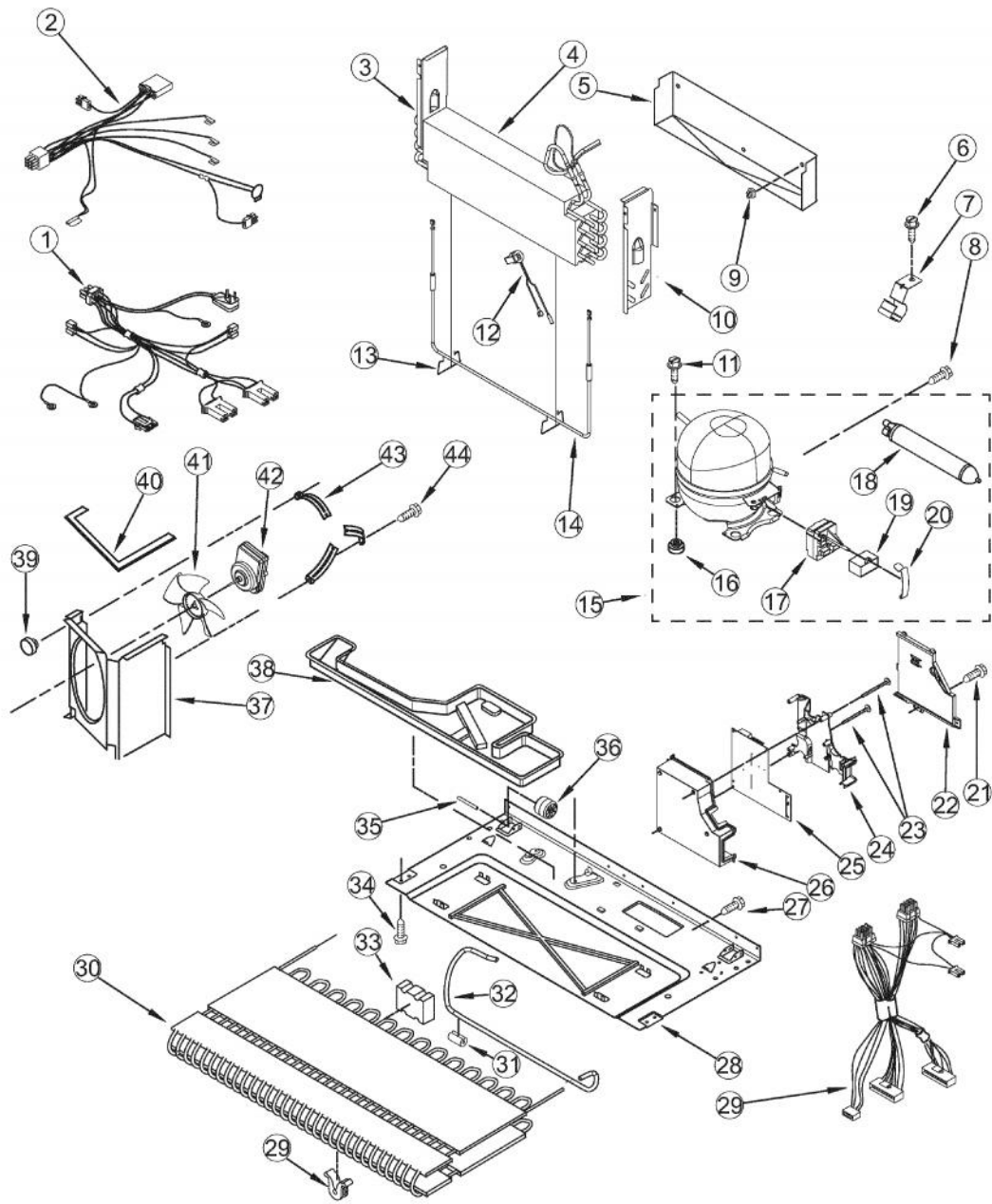
Ref #	Part Number	Qty.	Description
1	PS400094	1	CORNER COVER (67003485)
2	PS400011	3	PLUG, BUTTON (BLACK)
3	Not Replaceable	1	CABINET
4	PS400015	1	SCREW, TOP HINGE COVER (67006521)
5	011489-000	1	HINGE, TOP - BK, LT
5A	011490-000	1	HINGE, TOP - BK, RT
6	PS400010	3	GEAR (LH & RH)
7	PS400009	1	COVER, TOP HINGE - LEFT HINGE (67006726)
7A	PS400008	1	COVER, RIGHT HINGE, BLACK
8	PS400183	1	COVER, WATER LINE (67003331)
9	PS400013	1	SCREW, DOOR STOP (67006287)
10	PS400176	2	BLOCK, FILTER (67004092)
11	PS400181	1	CLIP, SPEED (M0114003)
12	011496-000	1	ELBOW, FILL TUBE
13	PS400129	1	SCREW, SMALL (67006425)
14	PS400172	1	COVER, MC BACK (67006101)
15	PS400175	1	GASKET
16	PS400182	1	CLAMP, TUBE
17	PS400173	1	COVER, WATER VALVE (67004098)
18	PS400187	1	DUAL TUBE SWEEP (67004101)
19	PS400186	1	ACOUSTIC FIBER (67003796)
20	011495-000	1	TUBE, DRAIN
21	011492-000	1	CLIP, DRAIN TUBE
22	011488-000	1	BRAKE, FOOT
23	011494-000	1	GRILLE, TOE - BK
24	PS400282	8	SCREW, BOTTOM HINGE (67006564)
25	011485-000	1	ROLLER ASSY, FRONT RT (W10130459)
25A	011487-000	1	ROLLER ASSY, FRONT LT
26	PS400024	1	SCREW, CENTER HINGE (67006380)
27	PS400233	1	CENTER HINGE (67002027)
28	PS400022	1	PIN, CENTER HINGE (67006642)
29	PS400042	1	SCREW, SMALL (67006400)



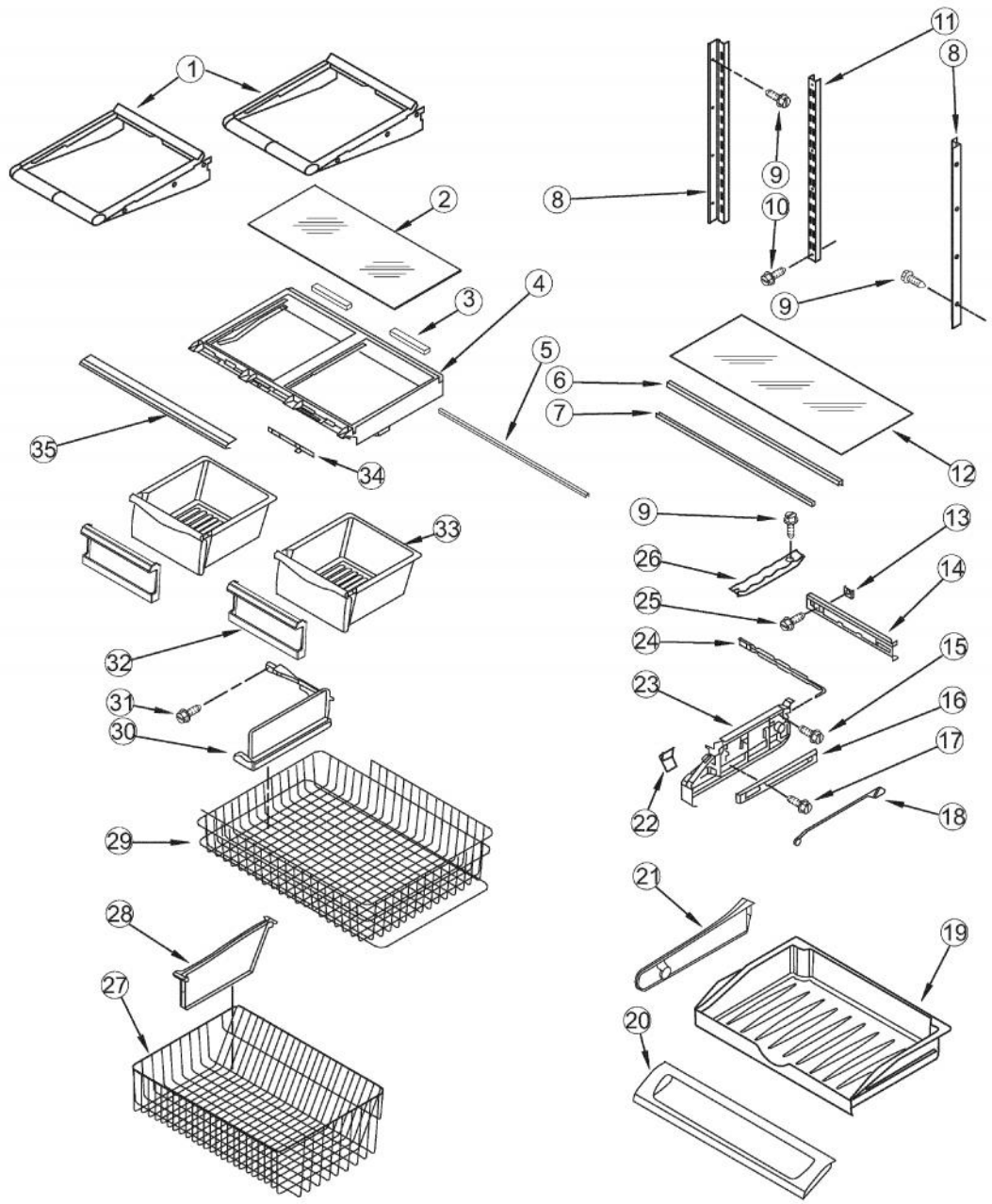
Ref #	Part Number	Qty.	Description
1	011497-000	2	GEAR, LT/RT
2	PS400108	1	SHAFT, RACK (67004017)
3	NOT REPLACEABLE	1	LINER
4	PS400092	1	FUNNEL, DRAIN
5	PS400091	1	SEAL, O-RING
6	PS400090	1	GASKET, DRAIN TUBE
7	PS400143	1	FOAM GASKET (67001291)
8	001507-000	1	WIRING DIAGRAM VGIC48-6G (NON-ADH)
9	001506-000	1	VGIC364Q WIRING DIAGRAM (NON-ADHESIVE)
10	PS400353	1	THERMISTOR
11	PS400139	1	MOTOR, EVAPORATOR FAN (67003636)
12	001508-000	1	WIRING DIAGRAM VGIC48-6Q (NON-ADH)
13	001503-000	1	PRO 27 INSULATION RETAINER (BEFORE 7/17/06)
14	PS400126	1	GASKET (A3189396)
15	PS400149	1	COVER, FREEZER THERMISTOR (67003924)
16	PS400125	1	COVER, EVAPORATOR (67005873)
17	001505-000	1	VGIC364G WIRING DIAGRAM (NON-ADHESIVE)
18	001509-000	1	WIRING DIAGRAM - VGIC48-4G (NON-ADH)
19	PS400129	4	SCREW, SMALL (67006425)
20	PS400058	1	COVER, FREEZER LIGHT (67003905)
21	011498-000	1	SOCKET, LIGHT
22	001499-000	1	PRO 30`` INSULATION RETAINER KIT (AFTER 7-17-06)
23	PS400062	1	SCREW, HOUSING (67006530)
24	PS400060	1	LIGHT HOUSING (67001035)
25	PS400061	1	LIGHT SWITCH / INTERLOCK (12002646)
26	PS400059	1	MODULE, FREEZER CONTROL (67003906)
27	001500-000	1	PRO 30`` INSULATION RETAINER KIT (BEFORE 7-17-06)
27A	001501-000	1	PRO 27`` INSULATION RETAINER KIT (AFTER 7-17-06)
28	PS400101	8	SCREW, BRACKET (67006473)
29	PS400116	1	BASKET CRADLE - LEFT TRACK (67004728)
29A	PS400117	1	BASKET CRADLE - RIGHT TRACK (67004729)
30	001504-000	1	SLIDE, DRAWER
31	PS400093	6	SCREW, ADAPTER (67006406)
32	PS400118	1	ADAPTER - LEFT TRACK (67004971)
32A	PS400119	1	ADAPTER RIGHT TRACK (67004972)
NI	001510-000	1	WIRING DIAGRAM - VGIC488-4GQ (NON-ADH)



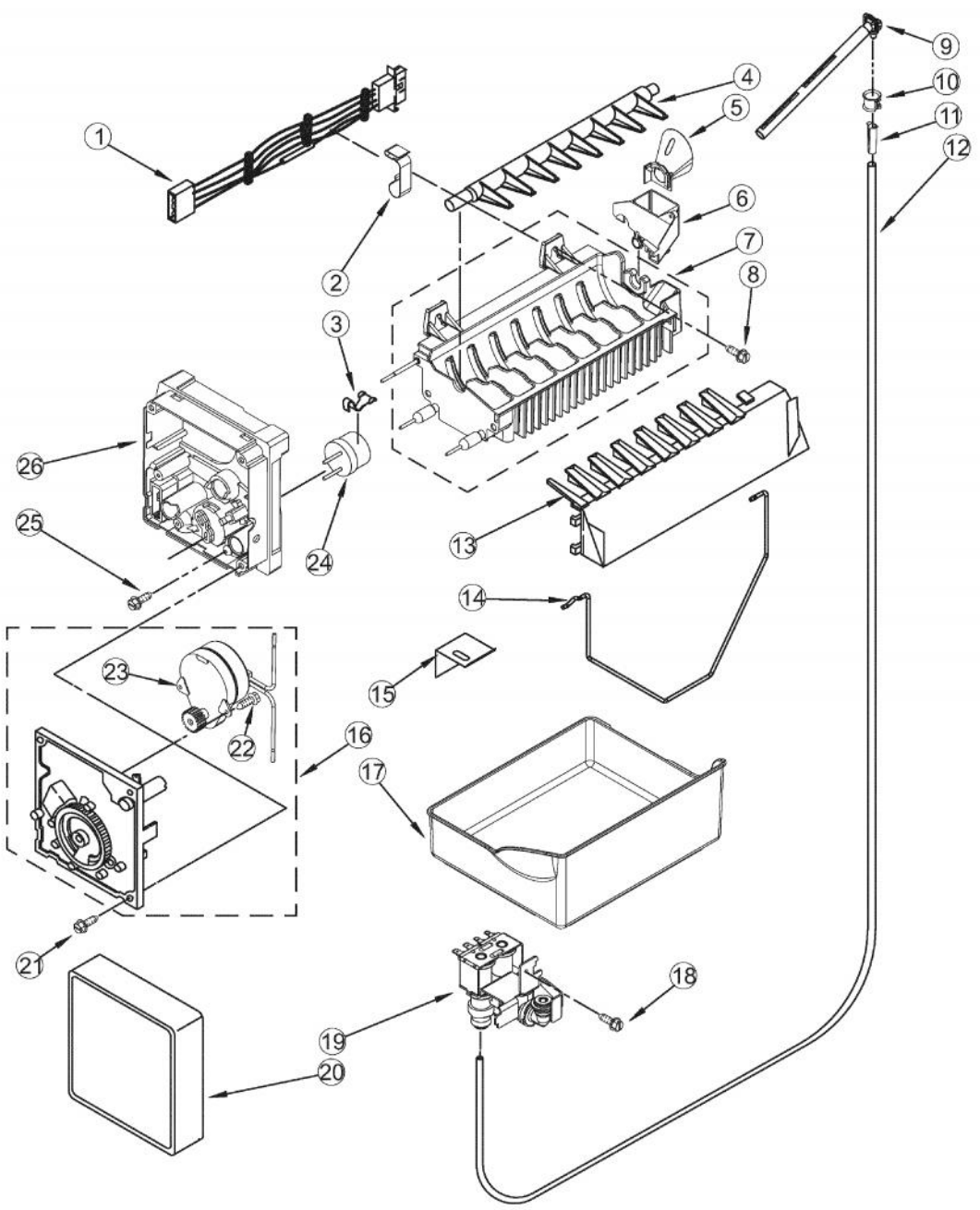
Ref #	Part Number	Qty.	Description
1	PS400055	1	KEYBOARD CONTROL
2	011512-000	1	MODULE, CONTROL
3	PS400048	1	CONTROL BOARD (W10207861)
4	PS400353	1	THERMISTOR
5	PS400046	1	COVER, REFRIGERATOR LIGHT (67003897)
6	NOT REPLACEABLE	1	LINER
7	PS400052	1	LIGHT HOUSING (67003901)
8	0011515-000	1	SOCKET, LIGHT
9	PS400038	1	TOP, FACADE DISPENSER (67006733)
10	PS400032	2	FACADE CLIP (B8390302)
11	001518-000	1	FACADE, DISP.
12	PS400042	2	SCREW, SMALL (67006400)
13	011517-000	1	CONTROL, DAMPER
14	001520-000	1	INSULATION, WATER TANK
15	PS400040	1	UNION (5/16 X 5/16)
16	PS400013	2	SCREW, DOOR STOP (67006287)
17	011519-000	1	TANK, WATER
18	PS400029	1	FILTER BACKING PLATE (67001668)
19	PS400041	1	BYPASS PLUG (12664501)
20	PS400030	1	WATER FILTER HEAD (W/TUBING) (67006524)
21	PS400431	1	COVER, FILTER
22	SALES ITEM	1	FILTER, WATER
23	PS400051	2	SCREW, DAMPER BASE (67006602)
24	PS400050	1	INSERT, DAMPER COVER (67003900)
25	PS400049	1	DAMPER COVER (67003899)
26	PS400057	1	INSULATION, DAMPER CONTROL (67006604)
27	PS400037	1	WATER LINE CLIP (67002816)
28	PS400036	1	WATER LINE GUIDE (67002743)
29	PS400034	1	SWITCH PLATE (67002742)
30	PS400035	1	SWITCH, LIMIT
31	011513-000	2	BASE,CURB,FRONT,SST,36 CUSTOM RANGES
32	PS400044	1	LIGHT SWITCH (C3680310)
33	011511-000	2	MODULE, LIGHT
NI	PS400064	1	HARNESS, FF CONTROL (67005644)



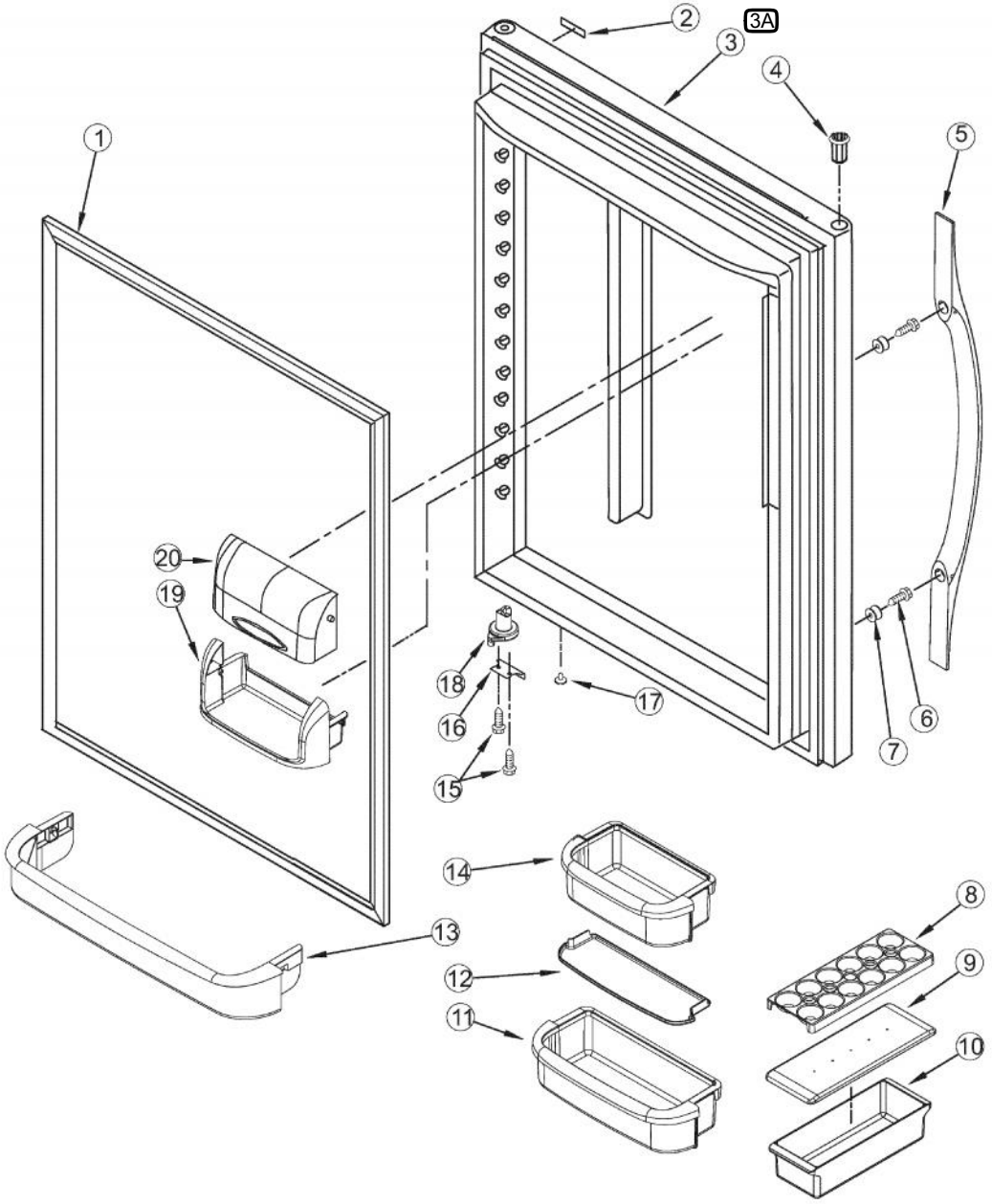
Ref #	Part Number	Qty.	Description
1	011552-000	1	HARNESS, UNIT W/POWER CORD
2	011542-000	1	HARNESS, EVAP. HEATER
3	PS400135	1	DAM, RIGHT RETURN (67001084)
4	PS400143	1	FOAM GASKET (67001291)
5	PS400123	1	DRIP TRAY, E-CT (67002490)
6	PS400148	1	SCREW, CLIP (67006737)
7	011556-000	1	CLIP, DRIER
8	PS400155	1	GROUND SCREW (67006433)
9	PS400124	1	CLIP, EVAPORATOR
10	PS400134	1	DAM, LEFT RETURN (67001083)
11	PS400153	3	SCREW, COMPRESSOR (67006432)
12	011546-000	1	THERMOSTAT, DEFROST
13	011548-000	1	CLIP, HEATER
14	PS400136	1	HEATER, EVAPORATOR (67002493)
15	PS400154	1	COMPRESSOR KIT (8201555)
16	PS400158	4	GROMMET, COMPRESSOR (67003493)
17	011544-000	1	RELAY, START
18	011553-000	1	DRIER
18	011555-000	2	AXLE, ROLLER
19	PS400182	1	CLAMP, TUBE
20	011543-000	1	CLIP, CAPACITOR
21	PS400190	3	SCREW, HV BOX COVER (67006615)
22	PS400189	1	COVER, HV BOX (67005421)
23	PS400184	1	SCREW, HV BOX (67006550)
24	PS400193	1	SPACER, HV BOX (67005418)
25	011562-000	1	BOARD, HV CONTROL
26	011561-000	1	BOX, HV
27	PS400129	1	SCREW, SMALL (67006425)
28	PS400163	1	BASE PAN (67005889)
29	011560-000	4	GROMMET, CONDENSER
29	PS400194	1	HARNESS, HV BOARD (67005419)
30	PS400166	1	CONDENSER (67006131)
31	PS400162	2	GROMMET CONDENSER (67005680)
32	PS400161	1	DISCHARGE TUBE (67004700)
33	011541-000	1	BLOCK, CONDENSER
34	PS400130	1	SCREW (67006573)
36	011559-000	2	ROLLER
37	011554-000	1	SHROUD
38	PS400161	1	DISCHARGE TUBE (67004700)
39	PS400165	3	GROMMET BRACKET (61004743)
40	PS400159	1	SEAL, CONDENSER SHROUD (61003210)
41	011540-000	1	BLADE, FAN
42	011547-000	1	MOTOR, FAN
43	PS400169	1	BRACKET, CONDENSER MOTOR (67004953)
44	PS400170	1	SCREW, BRACKT (67004954)
NI	011564-000	1	VALVE, ACCESS (1/4)
	011566-000	1	VALVE, ACCESS (5/16)
	011567-000	1	VALVE, ACCESS (3/8)
	011568-000	1	VALVE, ACCESS (1/2)
	011569-000	1	VALVE, ACCESS (5/8)
	011571-000	1	VALVE, ACCESS (3/4)
	011572-000	1	VALVE, ACCESS (3/16)



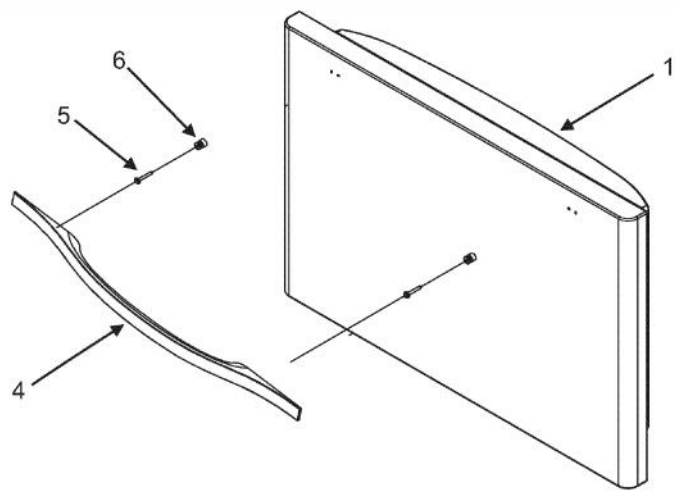
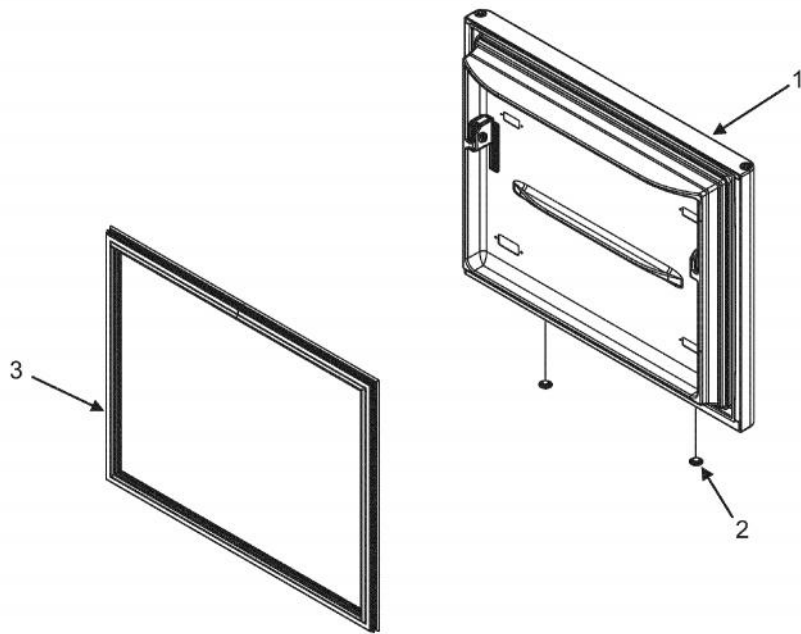
Ref #	Part Number	Qty.	Description
1	PS400066	4	SHELF, GLIDE OUT (67003169)
2	011575-000	1	GLASS, CRISPER COVER
3	011573-000	1	GASKET
4	PS400068	1	FRAME, CRISPER (67006185)
5	PS400073	1	BRACE, CRISPER
6	PS400075	2	EXTRUSION, GLASS SUPPORT (67006010)
7	PS400079	1	BRACE, PANTRY (67002330)
8	PS400105	2	RAIL, SHELF SUPPORT - RH / LH (67002489)
9	PS400042	3	SCREW, SMALL (67006400)
10	PS400106	2	SCREW, CENTER RAIL (67006360)
11	PS400104	1	RAIL, SHELF SUPPORT - CENTER (67001073)
12	PS400074	1	GLASS, PANTRY (67002332)
13	PS400082	1	GASKET, PANTRY (67002329)
14	PS400081	1	CONTROL HOUSING (67005625)
15	PS400078	4	SCREW, END CAP (67006415)
16	011574-000	1	GLIDE, PANTRY
17	PS400013	4	SCREW, DOOR STOP (67006287)
18	PS400086	1	BAR, TEMP CONTROL (67003794)
19	PS400087	1	DRAWER, PANTRY (67003530)
20	011576-000	1	LID, PANTRY
21	PS400089	1	DIVIDER, PANTRY (67002321)
22	PS400085	1	KNOB, TEMP CONTROL (67003791)
23	PS400076	1	END CAP, LH PANTRY
23	PS400115	1	DRAWER SLIDE (12002684)
24	PS400083	1	TEMP CONTROL SLIDE (67003793)
25	PS400042	1	SCREW, SMALL (67006400)
26	PS400080	1	TRACK, DELI DRAWER (67001719)
27	PS400109	1	LOWER FREEZER BASKET (67006026)
28	PS400114	1	DIVIDER, LOWER BASKET (67004812)
29	PS400107	1	UPPER FREEZER BASKET (67004988)
30	PS400111	1	DIVIDER, UPPER BASKET (67004127)
31	PS400112	1	SCREW, UPPER DIVIDER (67006608)
32	PS400069	1	FRONT, CRISPER PAN (67005926)
33	PS400071	1	CRISPER PAN (67002659)
37	PS400070	1	SLIDE, HUMIDITY CONTROL (Y67001287)
38	PS400072	1	EXTRUSION, CRISPER FRONT (W10231489)



Ref #	Part Number	Qty.	Description
1	011589-000	1	HARNESS, ICE MAKER
2	011578-000	1	CLAMP
3	011585-000	1	RETAINER, THERMOSTAT
4	011582-000	1	ICE EJECTOR
5	011594-000	1	FUNNEL, FILL TUBE
6	011581-000	1	CUP, FILL
7	011580-000	1	MOLD & HEATER ASSEMBLY
8	011579-000	1	SCREW
9	011593-000	1	ELBOW, FILL TUBE
10	PS400181	1	CLIP, SPEED (M0114003)
11	PS400178	1	INSERT, TUBE
12	PS400177	1	PLASTIC TUBE (B5705307)
13	011583-000	1	ICE STRIPPER
14	PS400202	1	IM SHUTOFF ARM (67004028)
15	011577-000	1	BRACKET, ICE MAKER
16	011590-000	1	MODULE ASSEMBLY
17	PS400207	1	ICE PAN (67001255)
18	PS400174	1	SCREW, VALVE (67006662)
19	PS400179	1	DUAL WATER VALVE (67006531)
20	PS400198	1	COVER, ICE MAKER (67004710)
21	011588-000	1	SCREW
22	011592-000	1	SCREW
23	011591-000	1	MOTOR
24	011586-000	1	THERMOSTAT
25	011587-000	1	SCREW
26	011584-000	1	SUPPORT, HOUSING



Ref #	Part Number	Qty.	Description
1	011599-000	1	GASKET, DOOR - BK
2	SALES ITEM	1	LOGO
3	011596-000	1	DOOR, REFRIGERATOR- LT, SS
3A	011597-000	1	DOOR, REFRIGERATOR- RT, SS
4	PS400000	1	DOOR BUSHING (BLACK) (67004978)
5	PE030188	2	DESIGNER HANDLE REF-OUTSOURCED 67006725
6	011598-000	1	SCREW
7	PS400213	1	MOUNT, HANDLE 67006109
8	011600-000	1	TRAY, EGG
9	PS400088	1	LID, PANTRY (67006736)
10	011601-000	1	BIN, UTILITY
11	PS400019	2	LARGE DOOR SHELF (INC. GRIPPER) (67006728)
12	PS400021	2	GRIPPER, LARGE (67006729)
12	PS400026	1	GRIPPER, MEDIUM (67006731)
13	PS400020	1	RETAINER, REFRIGERATOR DOOR (67003027)
14	PS400025	1	BUCKET, MEDIUM (W/GRIPPER)
15	PS400013	1	SCREW, DOOR STOP (67006287)
16	PS400012	1	180 DEGREE DOOR STOP BK (67003780)
17	PS400016	2	PLUG, VENT (67004838)
18	PS400014	1	DOOR CLOSURE (67003639)
19	PS400018	1	DAIRY DOOR (67006727)
20	PS400017	1	DAIRY TRAY (67001279)



Ref #	Part Number	Qty.	Description
1	011607-000	1	DOOR, FREEZER - SS
2	PS400016	2	PLUG, VENT (67004838)
3	011604-000	1	GASKET, DOOR - BK
4	PE030188	1	DESIGNER HANDLE REF-OUTSOURCED 67006725
5	011635-000	2	SCREW
6	PS400213	2	MOUNT, HANDLE 67006109