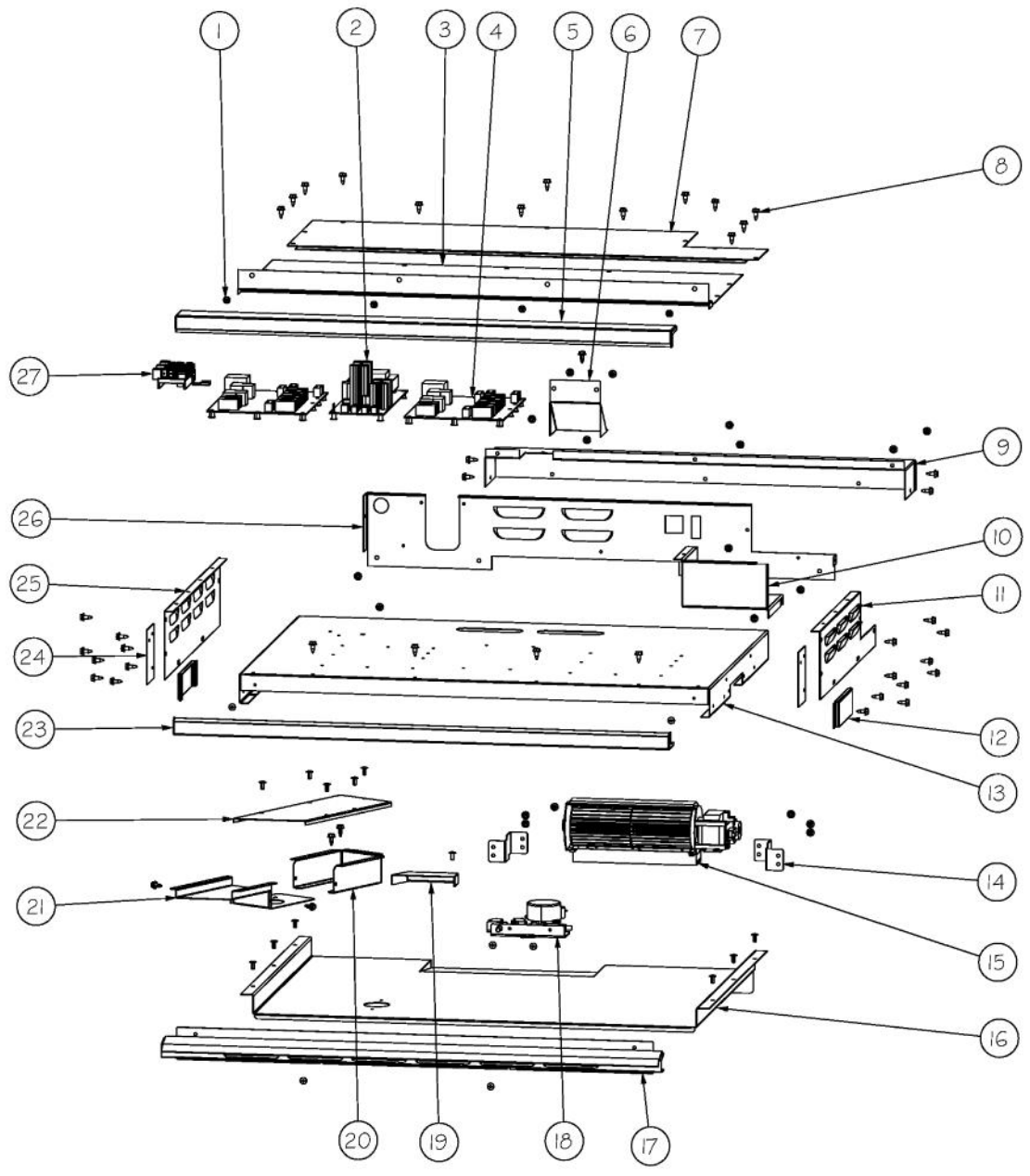
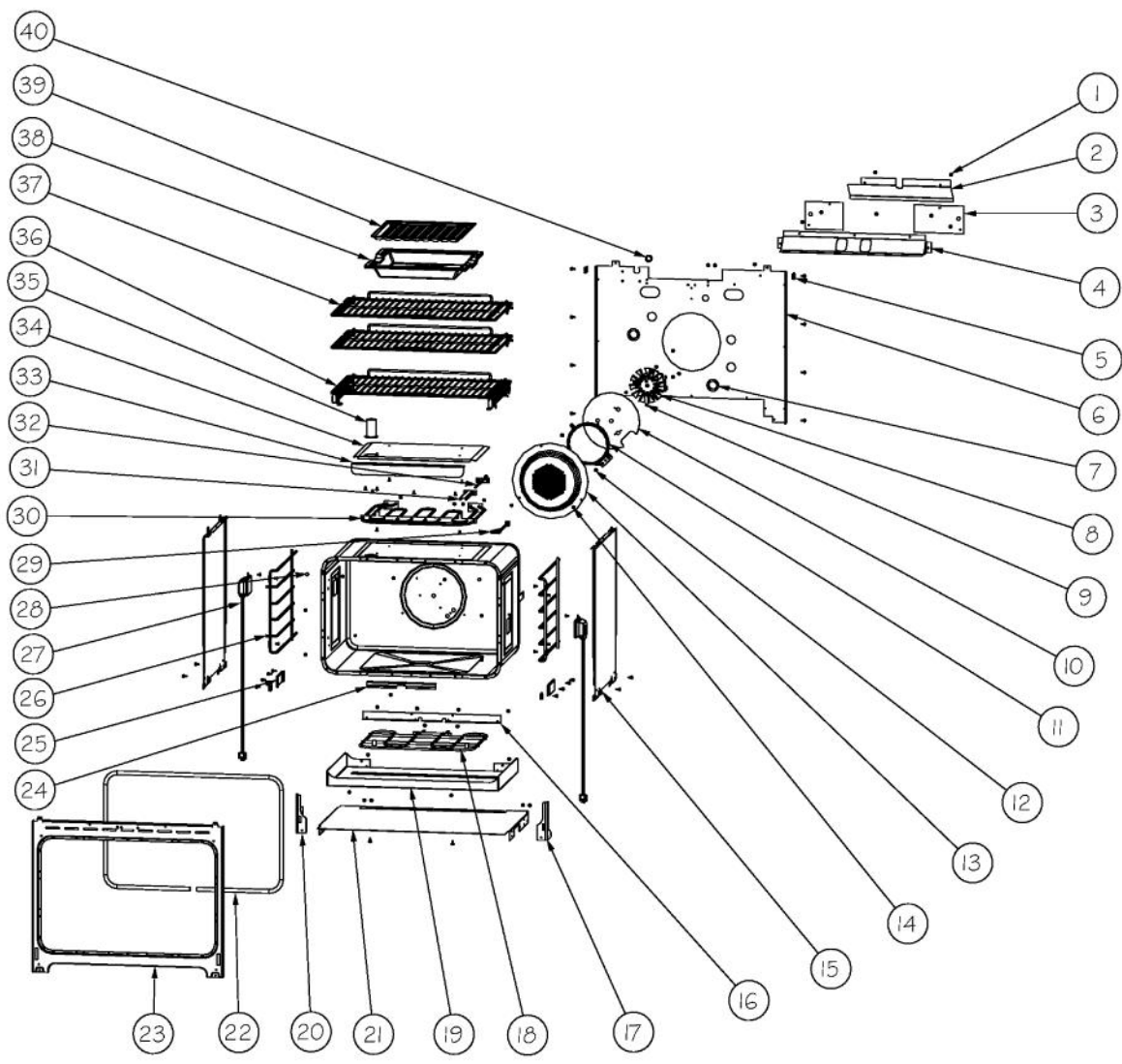


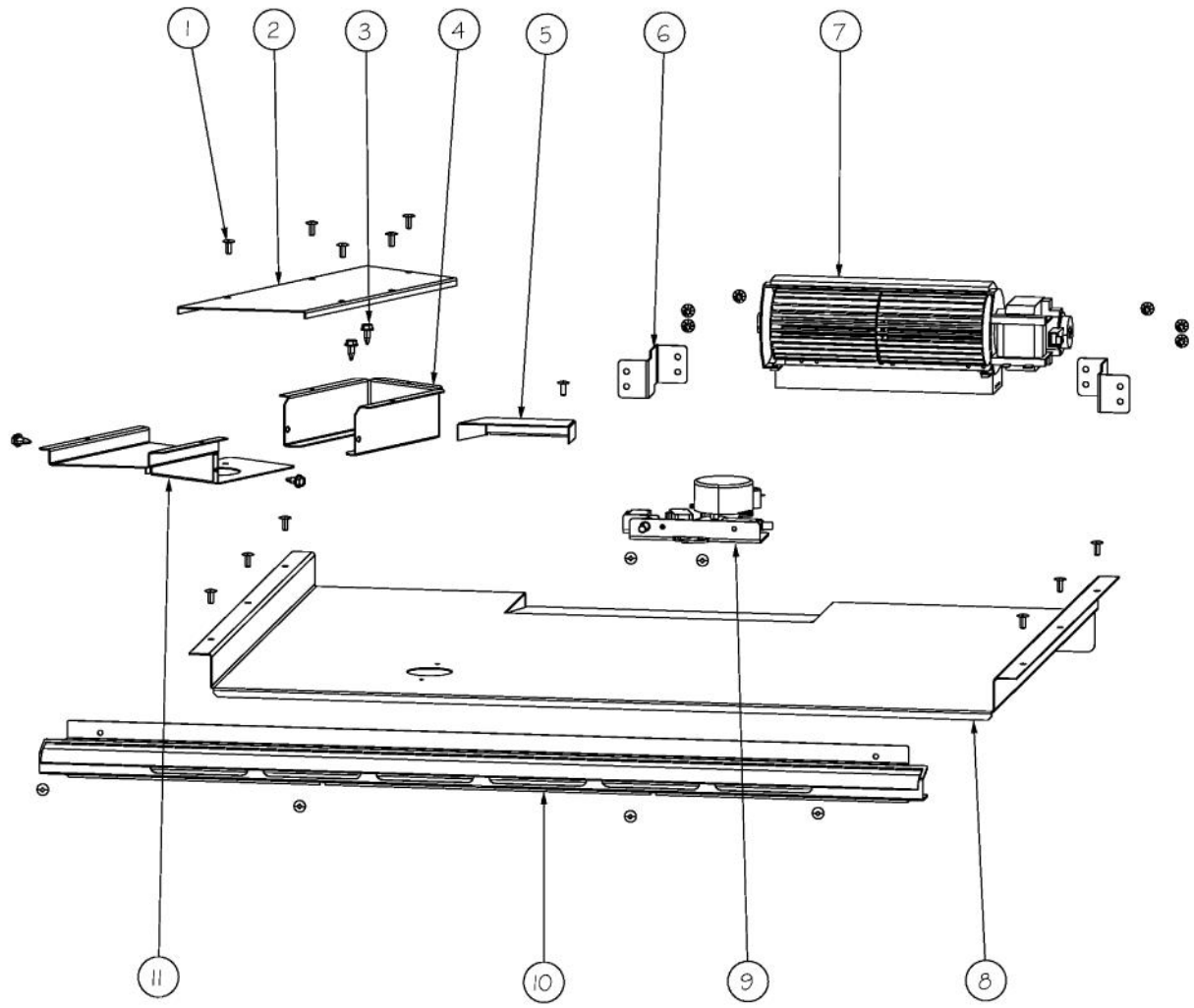
| Ref # | Part Number | Qty. | Description |
|-------|-------------|------|---|
| 1 | 003860-000 | 4 | NO. 10-18 X .500 FASTNR,SCR,HXWH,STL,ZPLT |
| 2 | 015043-000 | 4 | INDICATOR, LIGHT, BLUE LED |
| 3 | PE050076 | 1 | DESIGNER OVEN LIGHT SWITCH |
| 4 | PJ030033 | 2 | SELECTOR (10 POS) |
| 5 | 019340-000 | 1 | CONTROL MOUNT |
| 6 | 015195-000 | 1 | CLOCK, TOD2, DESIGNER |
| 7 | PJ030035 | 2 | THERMOSTAT |
| 8 | 014623-000 | 1 | PANEL,CTRL, ASM, DDOE305 |
| 9 | 009675-000 | 4 | KNOB |
| 10 | PB010315 | 4 | DES. CLOCK BUTTON |
| 11 | PB010222 | 1 | DESIGNER BIT GENERATOR KNOB |



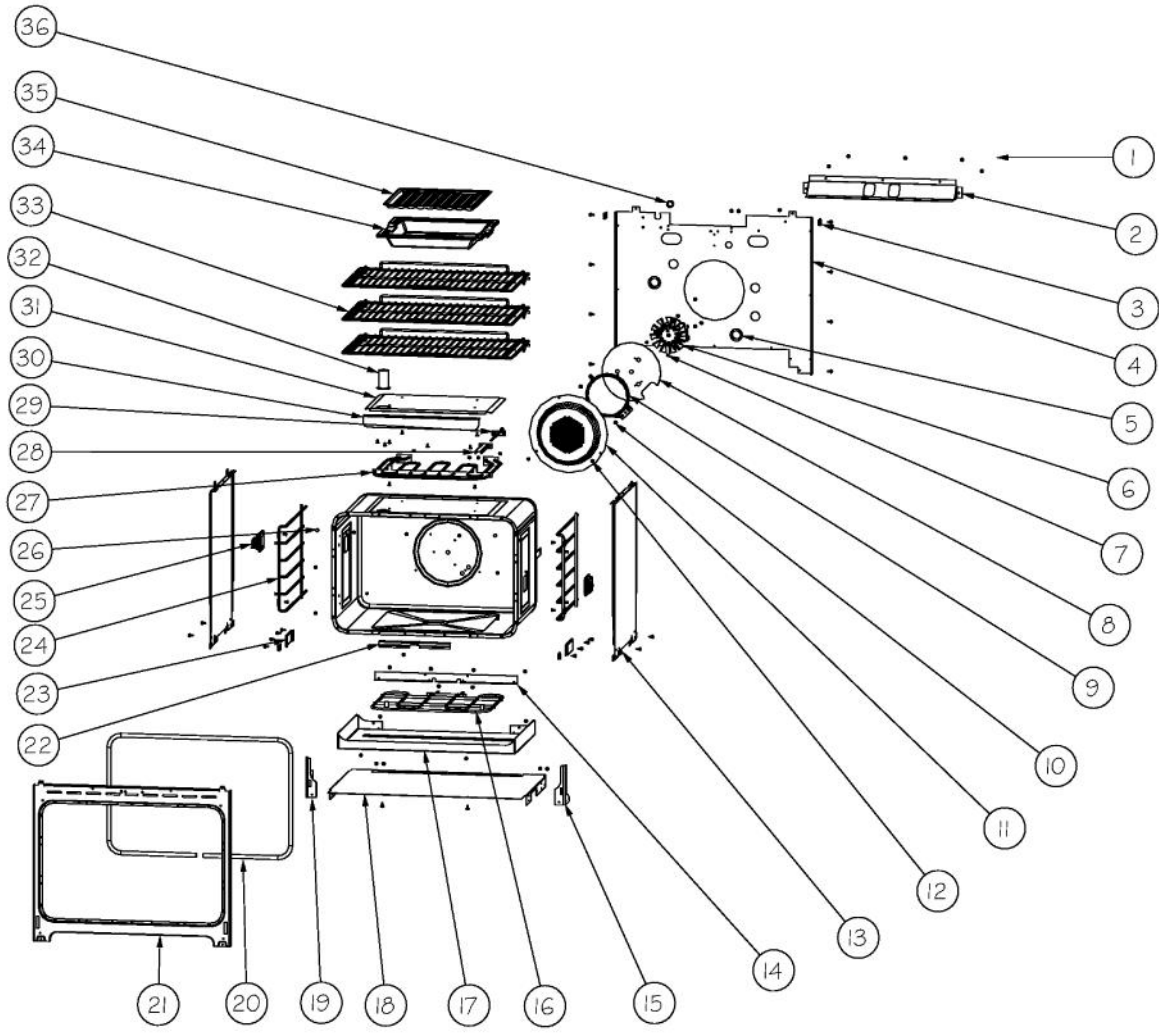
| Ref # | Part Number | Qty. | Description |
|-------|-------------|------|--|
| 1 | 008863-000 | 22 | SCREW NO.8 - 18 X 3/8, PHIL, LOW PROFILE TRUSS |
| 2 | 015201-000 | 1 | LINEAR POWER SUPPLY |
| 3 | 012541-000 | 1 | PANEL, ACS, FR |
| 4 | 014000-000 | 2 | EOC4-CONTROL BOARD |
| 5 | 011667-000 | 1 | TRIM, CTRL, UPPER, SS |
| 6 | 009004-000 | 1 | COVER, WIRE |
| 7 | 015776-000 | 1 | PANEL, ACS, TOP, REAR |
| 8 | 003860-000 | 62 | NO.10-18 X .500 FASTNR,SCR,HXWH,STL,ZPLT |
| 9 | 009003-000 | 1 | COVER, BACK, TOP |
| 10 | 015774-000 | 1 | COVER PLATE |
| 11 | 015777-000 | 1 | TOP SIDE, RH |
| 12 | 013740-000 | 2 | COVER, SIDE, DESIGNER |
| 13 | 015797-000 | 1 | ELECTRONICS MOUNT |
| 14 | 008899-000 | 2 | COOLING FAN BRACKET |
| 15 | PE050250 | 1 | PREMIUM BLOWER WITH HES |
| 16 | 008901-000 | 1 | RETAINER INSL, TOP |
| 17 | 009012-000 | 1 | UPPER VENT ASM |
| 18 | 008890-000 | 1 | DOOR LATCH |
| 19 | 008914-000 | 1 | TRIM, VENT, SEAL |
| 20 | 008912-000 | 1 | SMOKE ELIMIN BACK |
| 21 | 008902-000 | 1 | SMOKE ELIM VENT BOTTOM |
| 22 | 008913-000 | 1 | SMOKE ELIM VENT, TOP |
| 23 | 014542-000 | 1 | TRIM, CTRL, LOWER, SS |
| 24 | 012542-000 | 2 | FILLER PLATE |
| 25 | 012540-000 | 1 | TOP SIDE, LH |
| 26 | 015775-000 | 1 | PANEL, ENCL, BACK, W/LOUVERS |
| 27 | PE070147 | 1 | TERMINAL BLOCK |



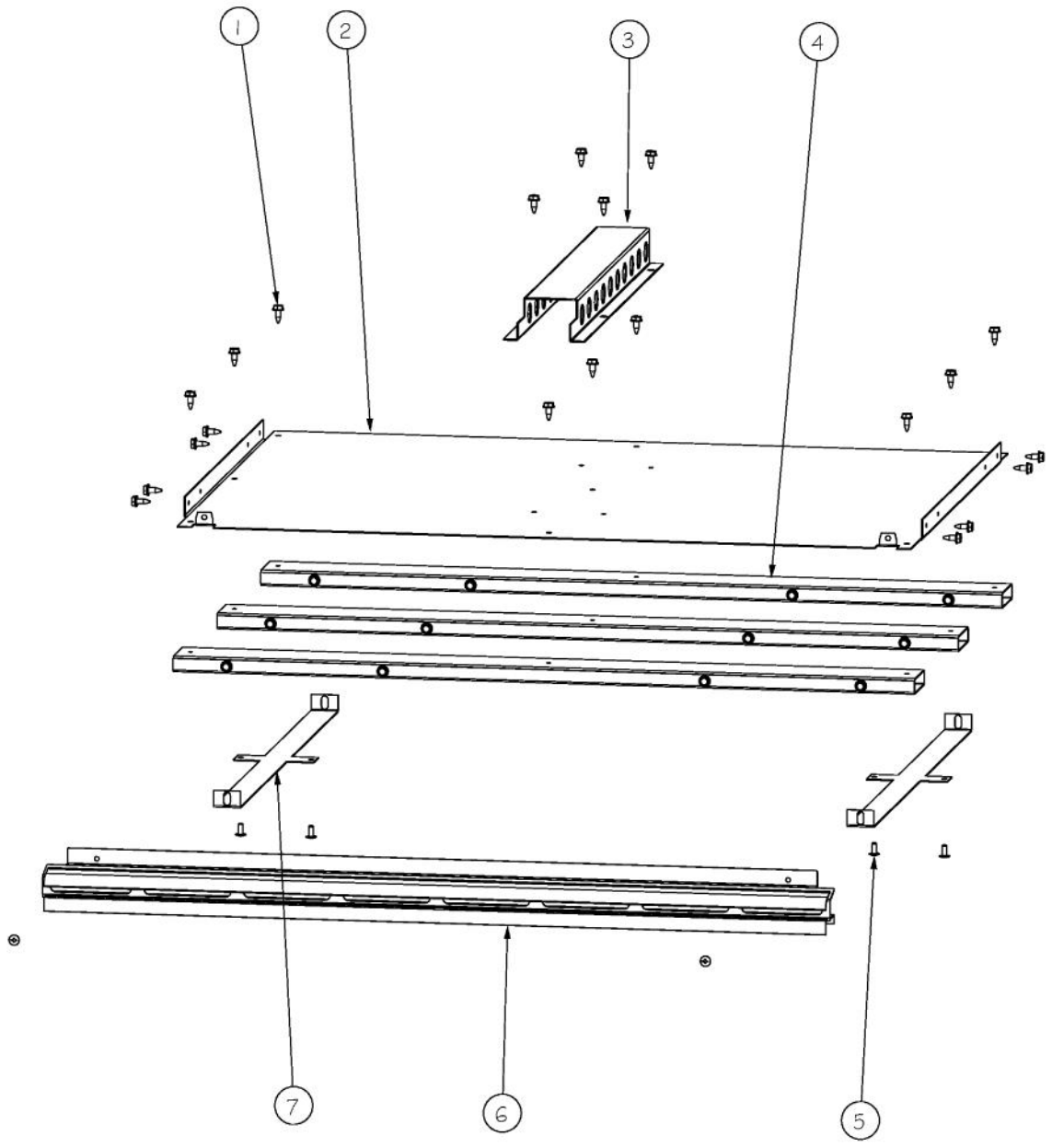
| Ref # | Part Number | Qty. | Description |
|-------|-------------|------|--|
| 1 | 003860-000 | 48 | NO.10-18 X .500 FASTNR,SCR,HXWH,STL,ZPLT |
| 2 | 009010-000 | 1 | AIR DEFLECTOR |
| 3 | 009018-000 | 1 | COVER, REAR |
| 4 | 008898-000 | 1 | FAN DEFLECTOR |
| 5 | 013070-000 | 4 | SIDE SPACER |
| 6 | 008888-000 | 1 | BACK INS RETAINER |
| 7 | PB070320 | 2 | SILICONE EXTRUSION |
| 8 | 008874-000 | 1 | CONV FAN MOTOR |
| 9 | 008877-000 | 3 | CONV MOTOR MOUNT SCREW |
| 10 | 008873-000 | 1 | CONV. MOTOR COVER |
| 11 | 008862-000 | 1 | CONV ELEMENT |
| 12 | PD020063 | 2 | SCREW-NO.8(A) X 3/8PH WFR HD/BK OXID |
| 13 | 013580-000 | 1 | CONV COVER W/PORC |
| 14 | 008863-000 | 30 | SCREW NO.8 - 18 X 3/8, PHIL, LOW PROFILE TRUSS |
| 15 | 008896-000 | 2 | COVER, INSL, SIDE |
| 16 | 008855-000 | 1 | COVER BAKE TRAY |
| 17 | 008895-000 | 1 | RECEIVER, HINGE RIGHT |
| 18 | 008854-000 | 1 | BAKE ELEMENT |
| 19 | 008857-000 | 1 | COVER BAKE ELEMENT |
| 20 | 008894-000 | 1 | RECEIVER, HINGE LEFT |
| 21 | 008889-000 | 1 | RETAINER, BOT, INSULATION |
| 22 | 009007-000 | 1 | DOOR GASKET |
| 23 | 013505-000 | 1 | FRONT FRAME W/PORC |
| 24 | 013626-000 | 1 | PAINTED GASKET CLIP |
| 25 | 013740-000 | 2 | COVER, SIDE, DESIGNER |
| 26 | 008866-000 | 1 | RACK SUPPORT W/ PORC |
| 27 | 008865-000 | 2 | 120V/40W HALOGEN LIGHT |
| 28 | 008864-000 | 2 | SILICONE BUMPER |
| 29 | 008880-000 | 1 | MEAT PROBE RECEPACLE ASM |
| 30 | 008871-000 | 1 | BROIL ELEMENT |
| 31 | 008872-000 | 1 | RTD COVER |
| 32 | 008870-000 | 1 | RTD |
| 33 | 013753-000 | 1 | DEFLECTOR, BRL, ASM, DESIGNER |
| 34 | 008867-000 | 1 | BROIL REFLECTOR |
| 35 | 008868-000 | 1 | SMOKE ELIMINATOR |
| 36 | 015214-000 | 1 | GLIDE RACK ASM |
| 37 | 013646-000 | 2 | RACK, OVEN, DESIGNER, 30 |
| 38 | 014923-000 | 1 | PAN, BROILER, BLUE PORCELAIN |
| 39 | 014924-000 | 1 | INSERT, BROILER PAN, BLUE PORCELAIN |
| 40 | PD040005 | 1 | SNAP BUSHING - 7/8 |
| NI | 013803-000 | 1 | PROBE, MEAT, DESIGNER |



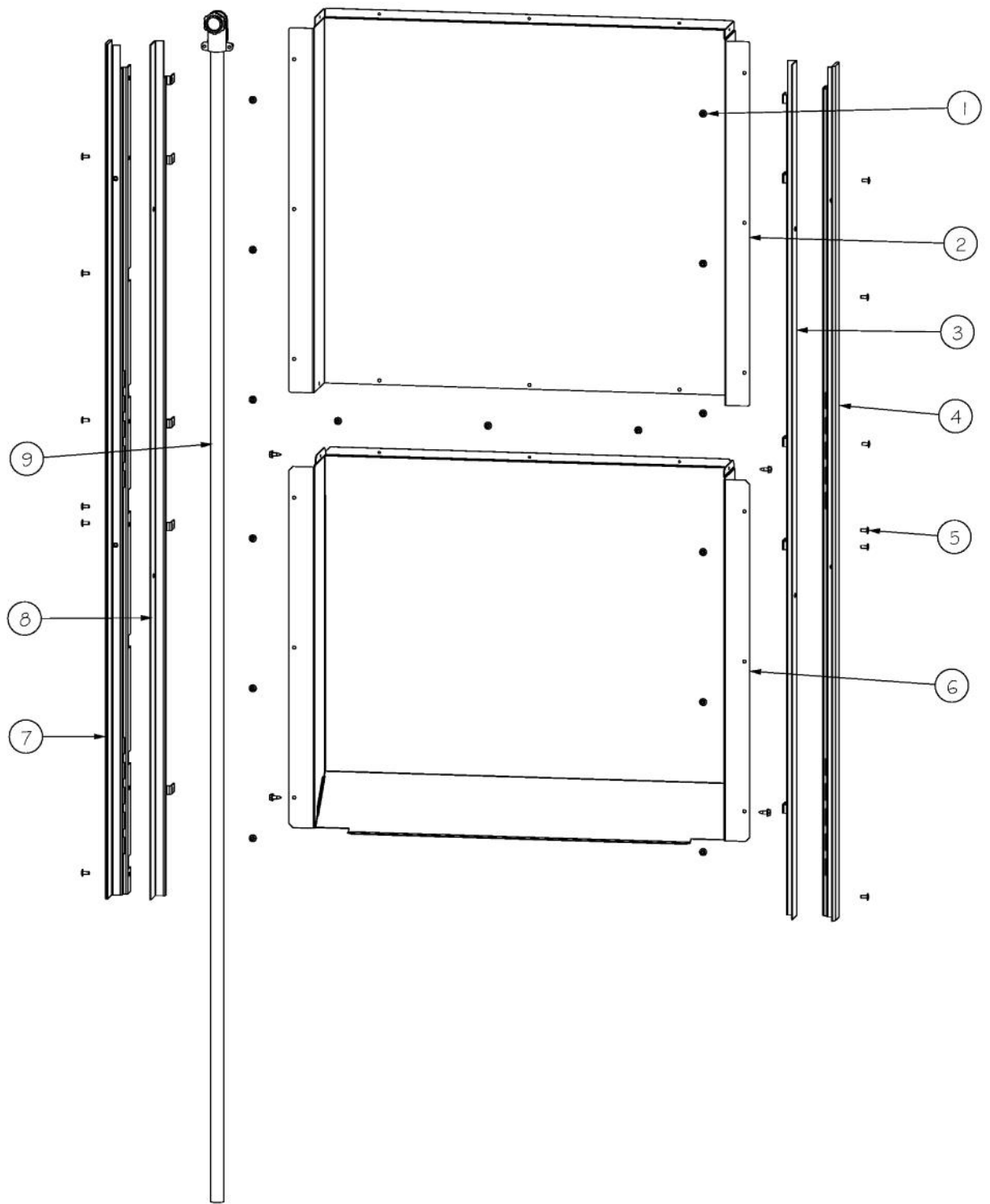
| Ref # | Part Number | Qty. | Description |
|-------|-------------|------|--|
| 1 | 008863-000 | 18 | SCREW NO.8 - 18 X 3/8, PHIL, LOW PROFILE TRUSS |
| 2 | 008913-000 | 1 | SMOKE ELIM VENT, TOP |
| 3 | 003860-000 | 10 | NO.10-18 X .500 FASTNR,SCR,HXWH,STL,ZPLT |
| 4 | 008912-000 | 1 | SMOKE ELIMIN BACK |
| 5 | 008914-000 | 1 | TRIM, VENT, SEAL |
| 6 | 008899-000 | 2 | COOLING FAN BRACKET |
| 7 | PE050250 | 1 | PREMIUM BLOWER WITH HES |
| 8 | 008901-000 | 1 | RETAINER INSL, TOP |
| 9 | 008890-000 | 1 | DOOR LATCH |
| 10 | 015829-000 | 1 | MID VENT ASM |
| 11 | 008902-000 | 1 | SMOKE ELIM VENT BOTTOM |



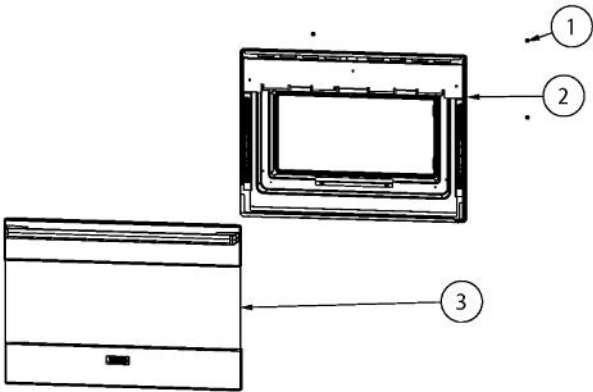
| Ref # | Part Number | Qty. | Description |
|-------|-------------|------|--|
| 1 | 003860-000 | 46 | NO.10-18 X .500 FASTNR,SCR,HXWH,STL,ZPLT |
| 2 | 008898-000 | 1 | FAN DEFLECTOR |
| 3 | 013070-000 | 4 | SIDE SPACER |
| 4 | 008888-000 | 1 | BACK INS RETAINER |
| 5 | PB070320 | 2 | SILICONE EXTRUSION |
| 6 | 008874-000 | 1 | CONV FAN MOTOR |
| 7 | 008877-000 | 3 | CONV MOTOR MOUNT SCREW |
| 8 | 008873-000 | 1 | CONV. MOTOR COVER |
| 9 | 008862-000 | 1 | CONV ELEMENT |
| 10 | PD020063 | 2 | SCREW-NO.8(A) X 3/8PH WFR HD/BK OXID |
| 11 | 013580-000 | 1 | CONV COVER W/PORC |
| 12 | 008863-000 | 30 | SCREW NO.8 - 18 X 3/8, PHIL, LOW PROFILE TRUSS |
| 13 | 008896-000 | 2 | COVER, INSL, SIDE |
| 14 | 008855-000 | 1 | COVER BAKE TRAY |
| 15 | 008895-000 | 1 | RECEIVER, HINGE RIGHT |
| 16 | 008854-000 | 1 | BAKE ELEMENT |
| 17 | 008857-000 | 1 | COVER BAKE ELEMENT |
| 18 | 008894-000 | 1 | RECEIVER, HINGE LEFT |
| 19 | 008889-000 | 1 | RETAINER, BOT, INSULATION |
| 20 | 009007-000 | 1 | DOOR GASKET |
| 21 | 013505-000 | 1 | FRONT FRAME W/PORC |
| 22 | 013626-000 | 1 | PAINTED GASKET CLIP |
| 23 | 013740-000 | 2 | COVER, SIDE, DESIGNER |
| 24 | 008866-000 | 1 | RACK SUPPORT W/ PORC |
| 25 | 005312-000 | 2 | BJB SLIMLINE 40 W BULB |
| 26 | 008864-000 | 2 | SILICONE BUMPER |
| 27 | 008871-000 | 1 | BROIL ELEMENT |
| 28 | 008872-000 | 1 | RTD COVER |
| 29 | 008870-000 | 1 | RTD |
| 30 | 013753-000 | 1 | DEFLECTOR, BRL, ASM, DESIGNER |
| 31 | 008867-000 | 1 | BROIL REFLECTOR |
| 32 | 008868-000 | 1 | SMOKE ELIMINATOR |
| 33 | 013646-000 | 3 | RACK, OVEN, DESIGNER, 30 |
| 34 | 014923-000 | 1 | PAN, BROILER, BLUE PORCELAIN |
| 35 | 014924-000 | 1 | INSERT, BROILER PAN, BLUE PORCELAIN |
| 36 | PD040005 | 1 | SNAP BUSHING - 7/8 |



| Ref # | Part Number | Qty. | Description |
|-------|-------------|------|--|
| 1 | 003860-000 | 21 | NO. 10-18 X .500 FASTNR,SCR,HXWH,STL,ZPLT |
| 2 | 008923-000 | 1 | BASE COVER |
| 3 | 014278-000 | 1 | BOTTOM SUPPORT |
| 4 | 008927-000 | 3 | CROSS BRACE ASM |
| 5 | 008863-000 | 6 | SCREW NO.8 - 18 X 3/8, PHIL, LOW PROFILE TRUSS |
| 6 | 009015-000 | 1 | LOWER VENT ASM |
| 7 | 008928-000 | 2 | SLIDE, BASE |

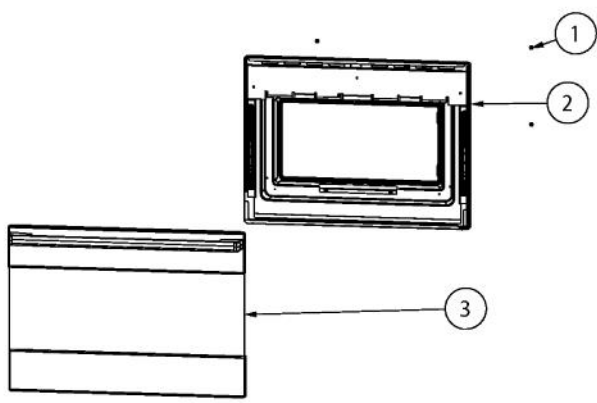


| Ref # | Part Number | Qty. | Description |
|-------|-------------|------|--|
| 1 | 003860-000 | 19 | NO.10-18 X .500 FASTNR,SCR,HXWH,STL,ZPLT |
| 2 | 009008-000 | 1 | COVER, BACK, NON-REF |
| 3 | 009608-000 | 1 | TRIM,SIDE,RIGHT |
| 4 | 011323-000 | 1 | DOUBLE RH SIDE TRIM EXTRUSION |
| 5 | 008863-000 | 12 | SCREW NO.8 - 18 X 3/8, PHIL, LOW PROFILE TRUSS |
| 6 | 009009-000 | 1 | COVER, BACK, LWR, NON-REF |
| 7 | 011324-000 | 1 | DOUBLE LH SIDE TRIM EXTRUSION |
| 8 | 009607-000 | 1 | TRIM,SIDE,LEFT |
| 9 | 001421-000 | 1 | CONDUIT, ELECTRICAL CORD, 70" |



| Ref # | Part Number | Qty. | Description |
|-------|-------------|------|--|
| 1 | 008863-000 | 12 | SCREW NO.8 - 18 X 3/8, PHIL, LOW PROFILE TRUSS |
| 2 | 013585-000 | 1 | DOOR PLUG W/PORC |
| 3 | 008949-000 | 1 | INNER DOOR GLASS |
| 4 | 008952-000 | 2 | INNER DOOR GLASS |
| 5 | 013589-000 | 1 | DOOR INS RET W/PORC |
| 6 | 008954-000 | 1 | RETAINER, GL, BOT |
| 7 | 008959-000 | 1 | RETAINER, GL, TOP |
| 8 | 008955-000 | 1 | HINGE RH |
| 9 | 008972-000 | 1 | CLIP, GL, DOOR, RH |
| 10 | 008971-000 | 2 | SPACER, DOOR, HANDLE |
| 11 | 009078-000 | 1 | OUTER DOOR DECORATIVE GLASS |
| 12 | 014194-000 | 1 | 3M VHB TAPE, 4991 |
| 13 | 014188-000 | 1 | LOWER PANEL, DOOR, SS, W/LOGO |
| 14 | 013700-000 | 1 | 2.75 DESIGNER LOGO WITH PINS |
| 15 | 009602-000 | 1 | HANDLE, ASM |
| 16 | 011639-000 | 1 | UPPER DOOR PANEL, SS |
| 17 | N/A | 4 | HEAT SHIELD - MUST ORDER ITEM NO. 11 |
| 18 | 014195-000 | 1 | 3M VHB TAPE, 4991, UPPER DOOR |
| 19 | 008973-000 | 1 | CLIP, GL, DOOR, LH |
| 20 | 008974-000 | 4 | SCREW 10 - 32 X 3/4 SLOT HEX WASHER |
| 21 | 008958-000 | 1 | HINGE LH |
| NI | 014219-000 | 1 | OUTER DOOR ASM, SS, W/LOGO |
| NI | 016854-002 | 1 | OUTER DOOR ASM, W/LOGO, BK |
| NI | 016854-003 | 1 | OUTER DOOR ASM, W/LOGO, BT |
| NI | 016854-004 | 1 | OUTER DOOR ASM, W/LOGO, SG |
| NI | 016854-005 | 1 | OUTER DOOR ASM, W/LOGO, GG |
| NI | 016854-006 | 1 | OUTER DOOR ASM, W/LOGO, WH |
| NI | 016854-007 | 1 | OUTER DOOR ASM, (AL) W/LOGO |
| NI | 016854-008 | 1 | OUTER DOOR ASM, W/LOGO, BU |
| NI | 016854-009 | 1 | OUTER DOOR ASM, W/LOGO, LE |
| NI | 016854-010 | 1 | OUTER DOOR ASM, W/LOGO, MJ |
| NI | 016854-011 | 1 | OUTER DOOR ASM, (FG) W/LOGO |
| NI | 016854-012 | 1 | OUTER DOOR ASM, W/LOGO, VB |
| NI | 016854-013 | 1 | OUTER DOOR ASM, W/LOGO, CB |
| NI | 016854-014 | 1 | OUTER DOOR ASM, (EP) W/LOGO |
| NI | 016854-015 | 1 | OUTER DOOR ASM, W/LOGO, PL |
| NI | 016854-016 | 1 | OUTER DOOR ASM, W/LOGO, CH |
| NI | 016854-017 | 1 | OUTER DOOR ASM, W/LOGO, TP |
| NI | 016854-018 | 1 | OUTER DOOR ASM, W/LOGO, CW |
| NI | 016854-019 | 1 | OUTER DOOR ASM, W/LOGO, OG |
| NI | 016854-020 | 1 | OUTER DOOR ASM, W/LOGO, GM |
| NI | 016854-021 | 1 | OUTER DOOR ASM, W/LOGO, SA |
| NI | 016854-022 | 1 | OUTER DOOR ASM, W/LOGO, SE |
| NI | 016854-023 | 1 | OUTER DOOR ASM, W/LOGO, IB |
| NI | 016854-024 | 1 | OUTER DOOR ASM, W/LOGO, AR |
| NI | 016854-025 | 1 | OUTER DOOR ASM, W/LOGO, RR |
| NI | 016854-026 | 1 | OUTER DOOR ASM, W/LOGO, PM |
| NI | 016854-027 | 1 | OUTER DOOR ASM, W/LOGO, MS |
| NI | 014220-000 | 1 | DOOR ASM (SS) W/ LOGO |
| NI | 016853-002 | 1 | DOOR ASM, W/LOGO, BK |
| NI | 016853-003 | 1 | DOOR ASM, W/LOGO, BT |
| NI | 016853-004 | 1 | DOOR ASM, W/LOGO, SG |
| NI | 016853-005 | 1 | DOOR ASM, W/LOGO, GG |
| NI | 016853-006 | 1 | DOOR ASM, W/LOGO, WH |
| NI | 016853-007 | 1 | DOOR ASM (AL) W/LOGO |
| NI | 016853-008 | 1 | DOOR ASM, W/LOGO, BU |
| NI | 016853-009 | 1 | DOOR ASM, W/LOGO, LE |
| NI | 016853-010 | 1 | DOOR ASM, W/LOGO, MJ |
| NI | 016853-011 | 1 | DOOR ASM (FG) W/LOGO |
| NI | 016853-012 | 1 | DOOR ASM, W/LOGO, VB |

| Ref # | Part Number | Qty. | Description |
|-------|-------------|------|----------------------|
| NI | 016853-012 | 1 | DOOR ASM, W/LOGO, VB |
| NI | 016853-013 | 1 | DOOR ASM, W/LOGO, CB |
| NI | 016853-014 | 1 | DOOR ASM (EP) W/LOGO |
| NI | 016853-015 | 1 | DOOR ASM, W/LOGO, PL |
| NI | 016853-016 | 1 | DOOR ASM, W/LOGO, CH |
| NI | 016853-017 | 1 | DOOR ASM, W/LOGO, TP |
| NI | 016853-018 | 1 | DOOR ASM, W/LOGO, CW |
| NI | 016853-019 | 1 | DOOR ASM, W/LOGO, OG |
| NI | 016853-020 | 1 | DOOR ASM, W/LOGO, GM |
| NI | 016853-021 | 1 | DOOR ASM, W/LOGO, SA |
| NI | 016853-022 | 1 | DOOR ASM, W/LOGO, SE |
| NI | 016853-023 | 1 | DOOR ASM, W/LOGO, IB |
| NI | 016853-024 | 1 | DOOR ASM, W/LOGO, AR |
| NI | 016853-025 | 1 | DOOR ASM, W/LOGO, RR |
| NI | 016853-026 | 1 | DOOR ASM, W/LOGO, PM |
| NI | 016853-027 | 1 | DOOR ASM, W/LOGO, MS |



| Ref # | Part Number | Qty. | Description |
|-------|-------------|------|--|
| 1 | 008863-000 | 15 | SCREW NO.8 - 18 X 3/8, PHIL, LOW PROFILE TRUSS |
| 2 | 013585-000 | 1 | DOOR PLUG W/PORC |
| 3 | 008949-000 | 1 | INNER DOOR GLASS |
| 4 | 008952-000 | 2 | INNER DOOR GLASS |
| 5 | 013589-000 | 1 | DOOR INS RET W/PORC |
| 6 | 008954-000 | 1 | RETAINER, GL, BOT |
| 7 | 008959-000 | 1 | RETAINER, GL, TOP |
| 8 | 008955-000 | 1 | HINGE RH |
| 9 | 008972-000 | 1 | CLIP, GL, DOOR, RH |
| 10 | 008971-000 | 1 | SPACER, DOOR, HANDLE |
| 11 | 014194-000 | 1 | 3M VHB TAPE, 4991 |
| 12 | 011640-000 | 1 | LOWER DOOR SKIN, SS, W/O LOGO |
| 13 | 009602-000 | 1 | HANDLE, ASM |
| 14 | 011639-000 | 1 | UPPER DOOR PANEL, SS |
| 15 | 014195-000 | 1 | 3M VHB TAPE, 4991, UPPER DOOR |
| 16 | 008971-000 | 1 | SPACER, DOOR, HANDLE |
| 17 | 008973-000 | 1 | CLIP, GL, DOOR, LH |
| 18 | 008974-000 | 4 | SCREW 10 - 32 X 3/4 SLOT HEX WASHER |
| 19 | 008958-000 | 1 | HINGE LH |
| NI | 009092-000 | 1 | OUTER DOOR ASM, SS, W/O LOGO |
| NI | 016855-002 | 1 | OUTER DOOR ASM, W/O LOGO, BK |
| NI | 016855-003 | 1 | OUTER DOOR ASM, W/O LOGO, BT |
| NI | 016855-004 | 1 | OUTER DOOR ASM, W/O LOGO, SG |
| NI | 016855-005 | 1 | OUTER DOOR ASM, W/O LOGO, GG |
| NI | 016855-006 | 1 | OUTER DOOR ASM, W/O LOGO, WH |
| NI | 016855-007 | 1 | OUTER DOOR ASM (AL) W/O LOGO |
| NI | 016855-008 | 1 | OUTER DOOR ASM, W/O LOGO, BU |
| NI | 016855-009 | 1 | OUTER DOOR ASM, W/O LOGO, LE |
| NI | 016855-010 | 1 | OUTER DOOR ASM, W/O LOGO, MJ |
| NI | 016855-011 | 1 | OUTER DOOR ASM (FG) W/O LOGO |
| NI | 016855-012 | 1 | OUTER DOOR ASM, W/O LOGO, VB |
| NI | 016855-013 | 1 | OUTER DOOR ASM, W/O LOGO, CB |
| NI | 016855-014 | 1 | OUTER DOOR ASM (EP) W/O LOGO |
| NI | 016855-015 | 1 | OUTER DOOR ASM, W/O LOGO, PL |
| NI | 016855-016 | 1 | OUTER DOOR ASM, W/O LOGO, CH |
| NI | 016855-017 | 1 | OUTER DOOR ASM, W/O LOGO, TP |
| NI | 016855-018 | 1 | OUTER DOOR ASM, W/O LOGO, CW |
| NI | 016855-019 | 1 | OUTER DOOR ASM, W/O LOGO, OG |
| NI | 016855-020 | 1 | OUTER DOOR ASM, W/O LOGO, GM |
| NI | 016855-021 | 1 | OUTER DOOR ASM, W/O LOGO, SA |
| NI | 016855-022 | 1 | OUTER DOOR ASM, W/O LOGO, SE |
| NI | 016855-023 | 1 | OUTER DOOR ASM, W/O LOGO, IB |
| NI | 016855-024 | 1 | OUTER DOOR ASM, W/O LOGO, AR |
| NI | 016855-025 | 1 | OUTER DOOR ASM, W/O LOGO, RR |
| NI | 016855-026 | 1 | OUTER DOOR ASM, W/O LOGO, PM |
| NI | 016855-027 | 1 | OUTER DOOR ASM, W/O LOGO, MS |
| NI | 009093-000 | 1 | DOOR ASM (SS) W/O LOGO |
| NI | 016856-002 | 1 | DOOR ASM, W/O LOGO, BK |
| NI | 016856-003 | 1 | DOOR ASM, W/O LOGO, BT |
| NI | 016856-004 | 1 | DOOR ASM, W/O LOGO, SG |
| NI | 016856-005 | 1 | DOOR ASM, W/O LOGO, GG |
| NI | 016856-006 | 1 | DOOR ASM, W/O LOGO, WH |
| NI | 016856-007 | 1 | DOOR ASM (AL) W/O LOGO |
| NI | 016856-008 | 1 | DOOR ASM, W/O LOGO, BU |
| NI | 016856-009 | 1 | DOOR ASM, W/O LOGO, LE |
| NI | 016856-010 | 1 | DOOR ASM, W/O LOGO, MJ |
| NI | 016856-011 | 1 | DOOR ASM (FG) W/O LOGO |
| NI | 016856-012 | 1 | DOOR ASM, W/O LOGO, VB |
| NI | 016856-013 | 1 | DOOR ASM, W/O LOGO, CB |
| NI | 016856-014 | 1 | DOOR ASM (EP) W/O LOGO |

| Ref # | Part Number | Qty. | Description |
|-------|-------------|------|------------------------|
| NI | 016856-014 | 1 | DOOR ASM (EP) W/O LOGO |
| NI | 016856-015 | 1 | DOOR ASM, W/O LOGO, PL |
| NI | 016856-016 | 1 | DOOR ASM, W/O LOGO, CH |
| NI | 016856-017 | 1 | DOOR ASM, W/O LOGO, TP |
| NI | 016856-018 | 1 | DOOR ASM, W/O LOGO, CW |
| NI | 016856-019 | 1 | DOOR ASM, W/O LOGO, OG |
| NI | 016856-020 | 1 | DOOR ASM, W/O LOGO, GM |
| NI | 016856-021 | 1 | DOOR ASM, W/O LOGO, SA |
| NI | 016856-022 | 1 | DOOR ASM, W/O LOGO, SE |
| NI | 016856-023 | 1 | DOOR ASM, W/O LOGO, IB |
| NI | 016856-024 | 1 | DOOR ASM, W/O LOGO, AR |
| NI | 016856-025 | 1 | DOOR ASM, W/O LOGO, RR |
| NI | 016856-026 | 1 | DOOR ASM, W/O LOGO, PM |
| NI | 016856-027 | 1 | DOOR ASM, W/O LOGO, MS |