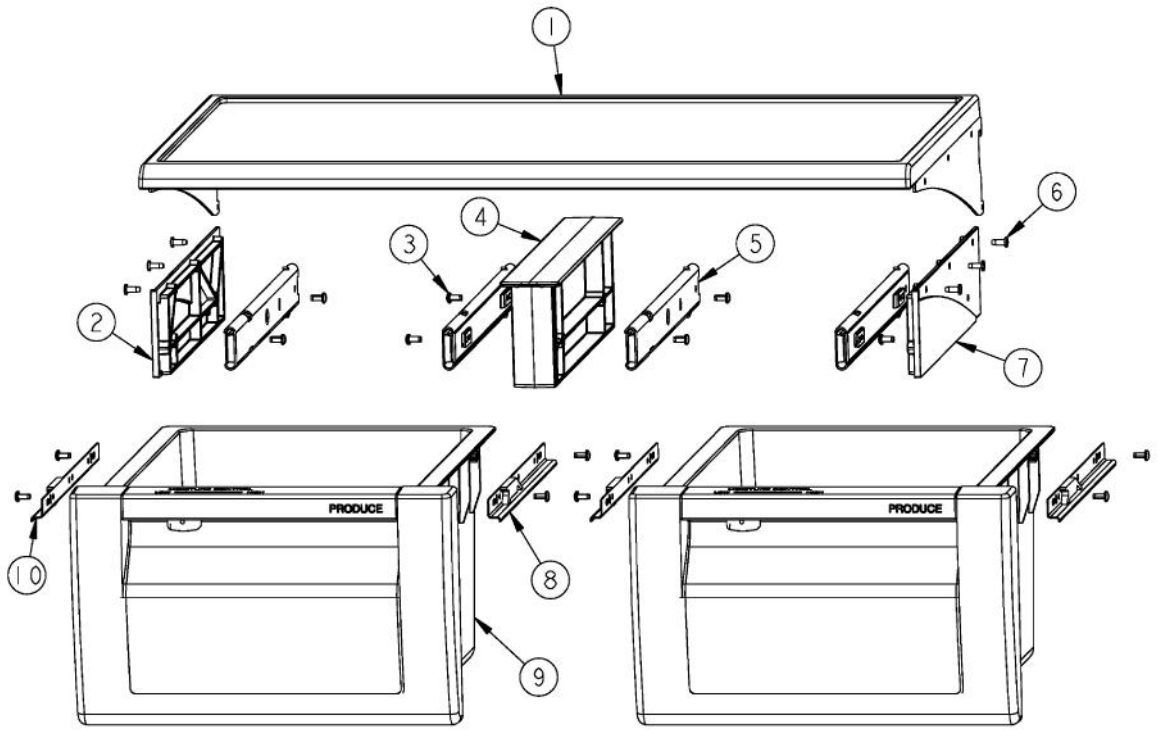


Ref #	Part Number	Qty.	Description
1	PM010529		SHELF ASM GLASS 30 AR 48 FF
2	ProduceDrawerArea		FOR BREAKDOWN SEE PAGE 002
3	DELI DRAWER AREA		FOR BREAKDOWN SEE PAGE 002
4	MEAT SAVER DRAW...		FOR BREAKDOWN SEE PAGE 004



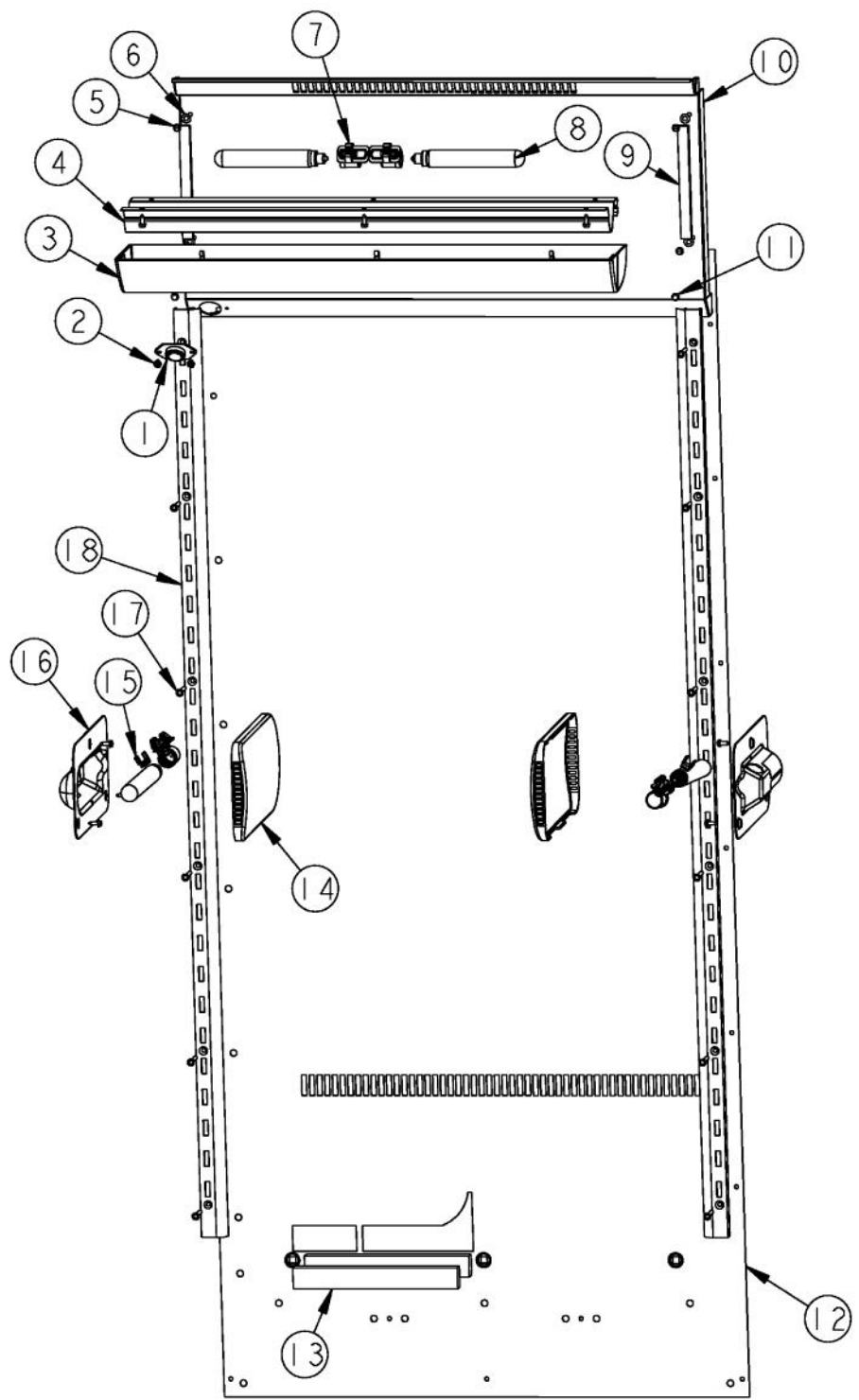
Ref #	Part Number	Qty.	Description
1	PM010529		SHELF ASM GLASS 30 AR 48 FF
2	PK930291		SUPPORT SLIDE L
3	PD920161		SCR 8-16 PLASTITE PNP 3/8 S
4	PK030439		GLIDE CENTER SUPPORT
5	PM910388		SLIDE DRAWER (R & L)
6	PD020032		SRW-8(A)X3/8PH.WFR HD 7/16DIAXNICL
7	PK930290		SUPPORT SLIDE R
8	PM910343		RAIL DRAWER R
9	PK930304		PRODUCE DRAWER
10	PM910342		RAIL DRAWER L

*No Image
Available*

Ref #	Part Number	Qty.	Description
1	PM910342		RAIL DRAWER L
2	PK930291		SUPPORT SLIDE L
3	PM010529		SHELF ASM GLASS 30 AR 48 FF
4	PD920161		SCR 8-16 PLASTITE PNP 3/8 S
5	PK030439		GLIDE CENTER SUPPORT
6	PM910388		SLIDE DRAWER (R & L)
7	PD020032		SRW-8(A)X3/8PH.WFR HD 7/16DIAXNICL
8	PK930290		SUPPORT SLIDE R
9	PM910343		RAIL DRAWER R
10	PK930305		DRAWER DELI AR 30 SXS 48

*No Image
Available*

Ref #	Part Number	Qty.	Description
1	PK930307		DUCT MEAT SAVER AR 30 SXS 48
2	000730-000		MEAT SAVER FAN - 3.8 W
NI	020822-000	1	FAN RESISTOR KIT BEFORE SERIALNo. 110409R00010197
3	PD020195		SCR 8-18 X 5/8
4	PK930310		DOOR MEATSAVOR AR 30
5	PK930175		SUPPORT DRAWER MEAT SAVER SXS 42/48 R
6	PK930283		DUCT MEATSAVOR SPACER
7	PK930172		COVER CONTROL MEAT SAVER
8	PM910334		ROLLER TENSION
9	PK930168		DIAL CONTROL MEAT SAVER
10	M0224128		SCREW-SM
11	PK930169		DUCT MEAT SAVER SXS 42/48 R
12	PK930173		SUPPORT SLIDE MEAT SAVER SXS 42/48 R
13	PM910287		SLIDE MEAT SAVER R
14	PK930309		DRAWER MEAT SAVER AR 30 SXS 48
15	PD920162		SCR 8-16 PLASTITE PNP 1/4 S
16	PM910288		SLIDE MEAT SAVER L
17	PK930174		SUPPORT SLIDE MEAT SAVER SXS 42/48 L
18	PK930176		SUPPORT DRAWER MEAT SAVER 42/48 L
19	M0211021		SCREW-SM
20	PK930284		DUCT MEATSAVOR LEFT
21	PK930308		SHELF MEAT SAVER AR 30 SXS 48



Ref #	Part Number	Qty.	Description
1	C8983701		THERMISTOR
2	M0211014		SCREW-SM
3	PK930268		COVER LIGHT ASM AF AR 30 SXS 48 FF
4	L2099492		BRACKET LIGHT SXS 48 FF
5	PD020238		SCR WH HEX WSHR HD SLTD NO.8-18 X 1/2
6	PD040150		WASHER FLAT NYLON NO.10
7	PE950125		LIGHT SOCKET
8	A3079001		LAMP - 40W
9	PB070288		1/4 X 1/2 CLOSED CELL SPONGE
10	L20914101		COVER EVAP AR 30
11	PD020194		SCREW-SM
12	L20910734		COVER LARGE SUMP AR 30
13	A3030361		GASKET, RED
14	PK930346		COVER LIGHT
15	B5733302		CLIP-GROUND
16	10270203		HOUSING-LIGHT V10270203
17	M0238535		SCREW-SM
18	PM910280		LADDER SIDE AF 30 36

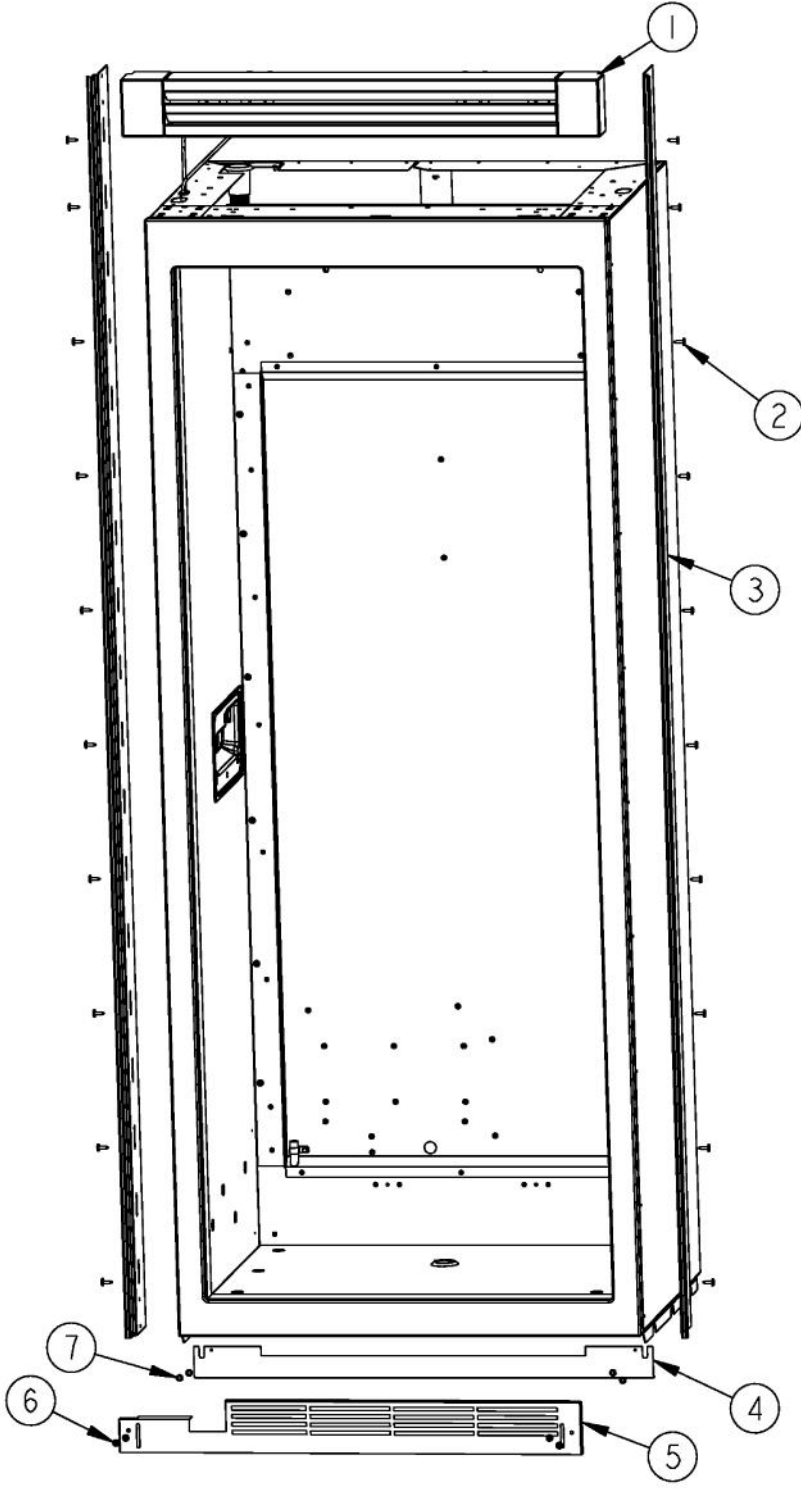
Ref #	Part Number	Qty.	Description
1	PC020279		PIVOT PL ASM LH UP PRO/DES
NI	PC020278		PIVOT PL ASM RH UP PRO/DES
2	PD920174		10-32 TORX HEAD SCREW
3	PD040162		SPACER-DOOR HINGE
4	M0210458		SCREW-SM
5	PD940087		SPACER DOOR SKIN-HINGE SIDE (75.1) (LH MODELS)
NI	PK930006		SPACER - SS DES (RH MODELS)
6	PK030556		TRIM DOOR BULLNOSE 30 TOP/BOT
7	PM910068		FOAM, DOOR SKIN (SXS)
8	M0215704		SCREW-SM
9	PK930006		SPACER - SS DES (RH MODELS)
NI	PD940087		SPACER DOOR SKIN-HINGE SIDE (75.1) (LH MODELS)
10	M0204303		SCREW-MACH
11	PE030166		DESIGNER REFRIGERATOR HANDLE
11A	PE030166PVD		DESIGNER REFRIGERATOR HANDLE PVD
12	PD030152		CAPPED WASHER PAL NUT
13	K2097526		BRACKET - HANDLE SUPPORT
14	PD050019		STRIKER DOOR SWITCH
15	PC020277		PIVOT PL ASM LH LW PRO/DES
NI	PC020276		PIVOT PL ASM RH LW PRO/DES
16	001617-000		SPACER,NYL,PIVOT PLATE
17	B20915907		DOOR SKIN AF AR 30 DES L
17A	C90915907BK		DOOR SKIN AF AR 30 DES L
17B	C90915907BT		DOOR SKIN AF AR 30 DES L
17C	C90915907GG		DOOR SKIN AF AR 30 DES L
17D	C90915907SG		DOOR SKIN AF AR 30 DES L
17E	C90915907WH		DOOR SKIN AF AR 30 DES L
17F	B20915908		DOOR SKIN AF AR 30 DES R
17G	C90915908BK		DOOR SKIN AF AR 30 DES R
17H	C90915908BT		DOOR SKIN AF AR 30 DES R
17I	C90915908GG		DOOR SKIN AF AR 30 DES R
17J	C90915908SG		DOOR SKIN AF AR 30 DES R
17K	C90915908WH		DOOR SKIN AF AR 30 DES R

*No Image
Available*

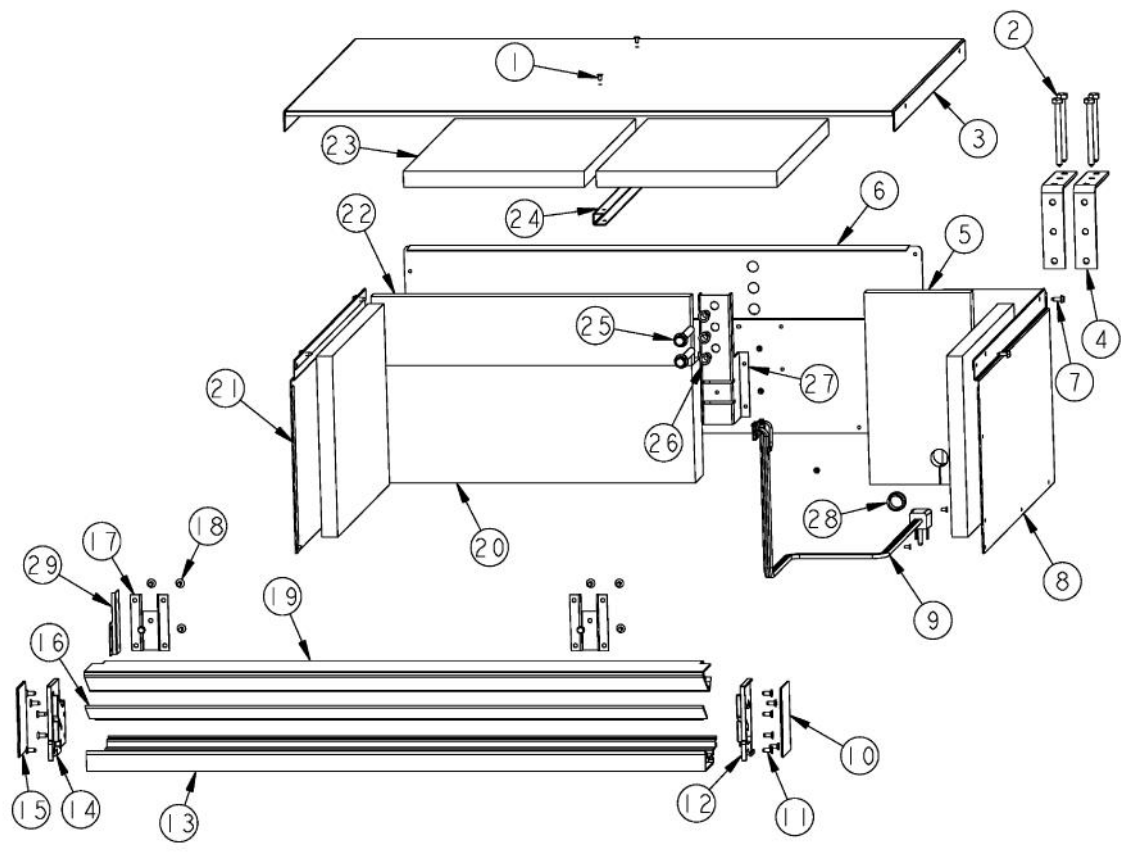
Ref #	Part Number	Qty.	Description
1	PE950183		SWITCH OVERLAY AR 30
2	PE950122		SWITCH
3	PK030457		PANEL CONTROL AR 30 L
NI	PK030456		PANEL CONTROL AR 30 R
4	12064001		SUPP-CONT PANEL
5	PC040010		POP RIVET
6	M0224128		SCREW-SM
7	PD020194		SCREW-SM
8	K20910061		CONTROL BOX FRONT
9	PE950149		SWITCH POWER
10	K2098654		BRACKET SWITCH POWER
11	M0238846		SCREW-SHLDR
12	PE070728		BOARD LOW VOLTAGE
13	PD020013		TYPE AB NO.6 X 3/8 PH PAN HD. SMS
14	M0585506		SUPPORT
15	M0104106		CLIP-CORD VM0104106
16	K2099402		CONTROL BOX
17	A4554817		BUSHING-SNAP VA4554817
18	PM910325		FILM PROTECTIVE
19	M0585504		SUPPORT
20	PE970463		POWER CONTROL BOARD
21	K20915000		CONTROL BOX TOP
22	M0288120		NUT-SPEED, VM0288120
23	K20910060		BRACKET - PC
24	A3030361		GASKET, RED

*No Image
Available*

Ref #	Part Number	Qty.	Description
1	K20912569		BRACKET GRILLE SUPPORT
2	PD020010		10 X 3/8 GREEN GROUNDING SCREW
3	M0104106		CLIP-CORD VM0104106
4	PC920204		HINGE ASM UL
NI	PC920203		HINGE ASM UR
5	000570-000		HEX SCREW
6	10743201		DRIER, HI SIDE
7	F2097740		TUBE PROCESS
8	F2096669		TUBE-DRIER COND
9	10547001		CLIP-DRIER V10547001
10	PD020195		SCR 8-18 X 5/8
11	G5096494		COND. FAN ASSY
12	F2096507		TUBE-PROCESS GRN
13	G50911820		COMPRESSOR KIT (INCLUDES DRIER)
14	F20910729		TUBE DISCHARGE FORMED AF AR 36
15	M0221523		SCREW - SHLDR
16	PE970608		POWER SUPPLY 24 VDC 15 W
17	M0104102		CLIP-CORD RED
18	10835901		GROMMET RUBBER V10835901
19	002573-000		CLAMP CORD
20	PB920171		CONDENSER ASM
21	G50915958		ASM AR SABBATH MODE RELAY
22	M0327801		SPLICE TAP
23	PE070849		INVERTER
24	PD020194		SCREW-SM



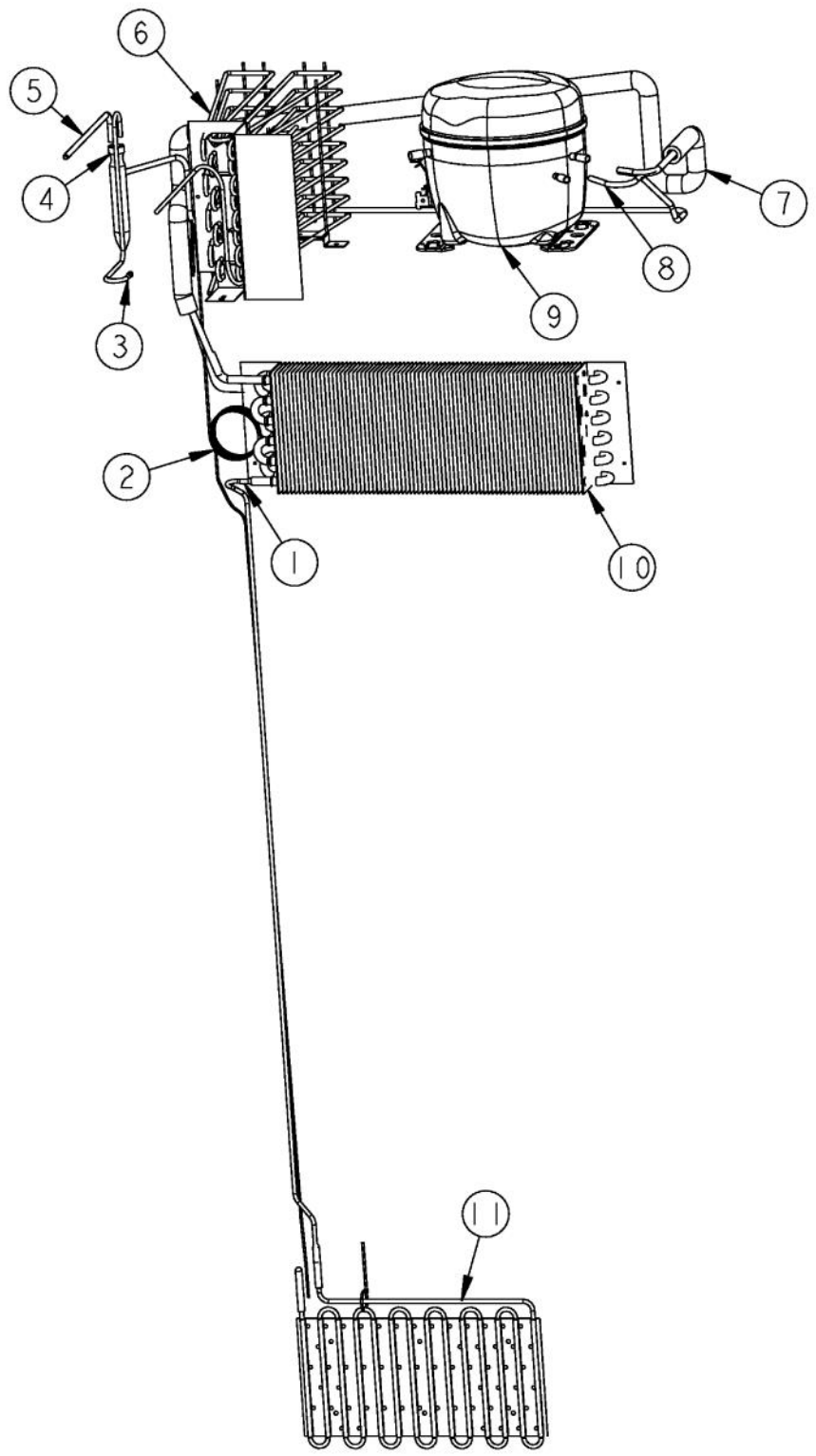
Ref #	Part Number	Qty.	Description
1	G32911143		GRILLE ASM AF AR 30 DES L
NI	G32911151		GRILLE ASM AF AR 30 DES R (FOR BREAKDOWN SEE PAGE 011)
2	M0210458		SCREW-SM
3	PK920066		SIDE TRIM
4	000206-002		KICKPLATE, LWR
5	C90910752BK		GRILLE TOE VENTED 30 LH BK
NI	C90910758BK		GRILLE TOE VENTED 30 R XBKX
6	M0210443		SCREW-E SM
7	40370P01		NYLON FLAT WASHER V40370P01
NI	G50915030		GRILLE TOE ASM AF AR 30 L (CONTAINS ITEMS NO. 4 - NO. 7)
NI	G50915029		GRILLE TOE ASM AF AR 30 R (CONTAINS ITEMS NO. 4 - NO. 7)



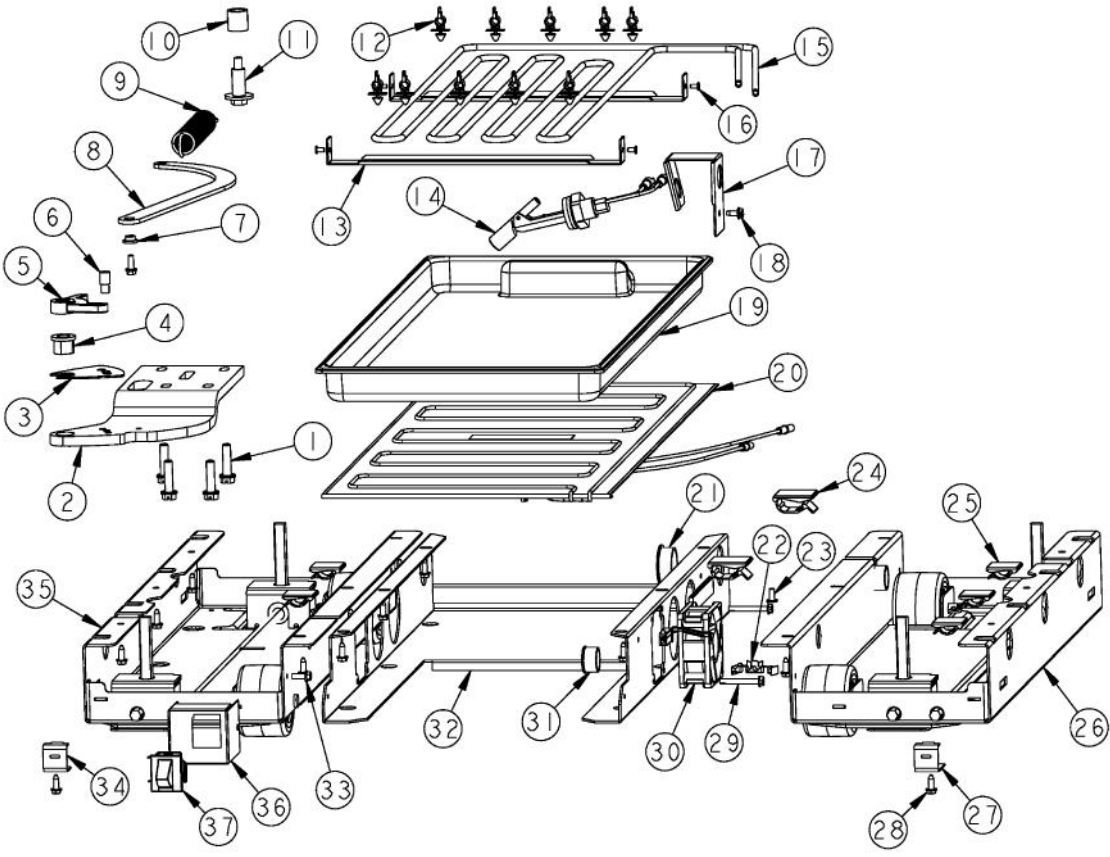
Ref #	Part Number	Qty.	Description
1	PC040010		POP RIVET
2	M0223509		SCREW-LAG
3	M2099930		MC TOP
4	PK910089		BRACKET, ANTI - TIP
5	PB970171		MC INSULATION - BACK SIDE
6	K2099932		MC BACK 30
7	PD020194		SCREW-SM
8	K2099459		MC SIDE R
9	10916507		TUBE-PROCESS GRN
10	PM910072		COVER - END CAP 12119802
11	M0215318		SCREW-SM
12	PM910348		ENP CAP GRILLE R
13	PM910408		GRILLE LOUVER LOWER AF AR 30 L DES FOL
NI	PM910420		GRILLE LOUVER LOWER AF AR 30 R DES FOL
14	PM910349		END CAP GRILLE L
15	PM910071		COVER - END CAP 12119801
16	PM910407		GRILLE LOUVER MID AF AR 30 DES FOL
17	PK050004		BRACKET GRILLE
18	M0224128		SCREW-SM
19	PM910406		GRILLE LOUVER UPPER AF AR 30 DES FOL
20	PB070357		INSULATION MC COVER
21	K2099460		MC SIDE L
22	PB070356		INSULATION MC COVER
23	PB070355		INSULATION MC COVER
24	K2099455		SUPPORT MC Z
25	PD020233		SCR LAG 5/16-9 GX 5/16X7/16 WAF IHXW 3 S ZN
26	PD040157		BEARING SLEEVE
27	K20915675		BRACKET PSM
28	A4554806		BUSHING-SNAP VA4554806
29	K2099471		BRACKET GRILLE SUPPORT L
NI	K2099470		BRACKET GRILLE SUPPORT R

*No Image
Available*

Ref #	Part Number	Qty.	Description
1	F20913719		TUBE EVAP AR 30
2	PD020238		SCR WH HEX WSHR HD SLTD NO.8-18 X 1/2
3	G50914134		ASM FAN MOUNTING AR 30
4	F20911126		TUBE SUCTION AR 30
5	PB070288		1/4 X 1/2 CLOSED CELL SPONGE
6	PM910457		EVAPORATOR AR 36 30
7	K20914102		ANGLE UPR EVAP MNT AR 30 36
8	PD040150		WASHER FLAT NYLON NO.10
9	PB070288		1/4 X 1/2 CLOSED CELL SPONGE
10	G50914188		DRAIN PAN ASM UPPER AR30
11	PK030446		DRAIN VERTICAL AR 30 36
12	M0104106		CLIP-CORD VM0104106
13	L20913709WH		DIVIDER AIR AR 30
14	PM910496		MS HEAT EXCH ASM AR 36 30
15	PD020194		SCREW-SM
16	K20912393		PLATE BAFFLE VERTICAL AR 30
17	PD020032		SRW-8(A)X3/8PH.WFR HD 7/16DIAXNICL
18	PK030445		PAN DRAIN LOWER EVAP AR 30 36
19	K20912394		PLATE BAFFLE VERTICAL SMALL AR 30
20	A3030361		GASKET, RED
21	12115101		CLAMP-TUBE V12115101
22	F20912567		TUBE CAPILLARY FORMED



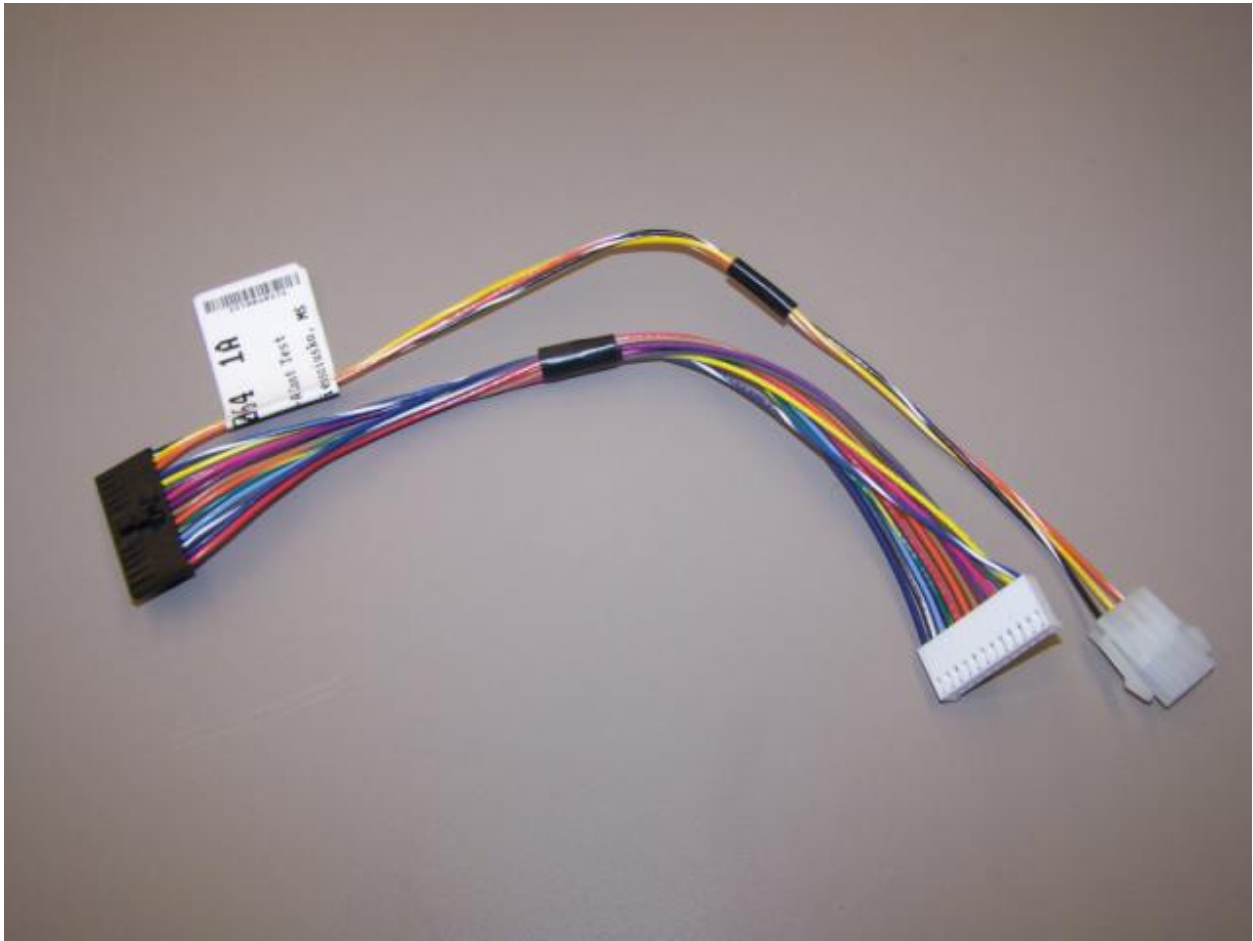
Ref #	Part Number	Qty.	Description
1	F20913719		TUBE EVAP AR 30
2	F20912567		TUBE CAPILLARY FORMED
3	F2096669		TUBE-DRIER COND
4	10743201		DRIER, HI SIDE
5	F2097740		TUBE PROCESS
6	PB920171		CONDENSER ASM
7	F20911126		TUBE SUCTION AR 30
8	F20910729		TUBE DISCHARGE FORMED AF AR 36
9	G50911820		COMPRESSOR KIT (INCLUDES DRIER)
10	PM910457		EVAPORATOR AR 36 30
11	PM910496		MS HEAT EXCH ASM AR 36 30



Ref #	Part Number	Qty.	Description
1	000570-000		HEX SCREW
2	PC020289		HINGE PLATE LL
NI	PC920215		HINGE PLATE SXS LR
3	PC920144		PLATE - WC DOOR SHIM
4	PD940090		BUSHING - WC DOOR LEVEL
5	PD940091		BUSHING - DOOR STOP
6	PC920145		PIN - DOOR STOP
7	PD940094		BUSHING
8	PC920149		BAR-WC BOT HINGE LH
NI	PC920166		BAR-WC BOT HINGE RH
9	PC910015		SPRING EXTENSION
10	PD940107		ROUND SPRING SPACER
11	M0221523		SCREW - SHLDR
12	PD030146		STAND OFF LOCK CLIP
13	K20911832		BRACKET CONDENSATE SUPPORT
14	PE050248		FLOAT SWITCH HORIZONTAL
15	F2099927		SERPENTINE AF AR 30
16	PC040010		POP RIVET
17	B20915627		BRACKET HORIZ FLOAT SWITCH
18	M0253916		SCREW-TF
19	PK930347		PAN-DRAIN AF AR 30
20	G50915603		PAN HEATER ASM AF/AR 30
21	A4554817		BUSHING-SNAP VA4554817
22	M0327801		SPLICE TAP
23	PD020010		10 X 3/8 GREEN GROUNDING SCREW
24	M0104102		CLIP-CORD RED
25	M0104106		CLIP-CORD VM0104106
26	PM910398		LEVELER ASSEMBLY - R
27	K2098044		BRKT GRILLE SUPPORT
28	PD020194		SCREW-SM
29	PD020274		SCR SLTD HEX WSHR HD 8X1.250 BT
30	000731-000		AXIAL FAN
31	A4554806		BUSHING-SNAP VA4554806
32	K20915953		SHIELD BOTTOM DRAIN
33	M0220417		SCREW-TC
34	K2098096		BRKT GRILLE SUPPORT
35	PM910399		LEVELER MODULE L
36	002668-000		SWITCH,GRILLE,MT,LH
NI	002667-000		SWITCH,GRILLE,MT,RH
37	PE950147		SWITCH SPST NC BLACK

*No Image
Available*

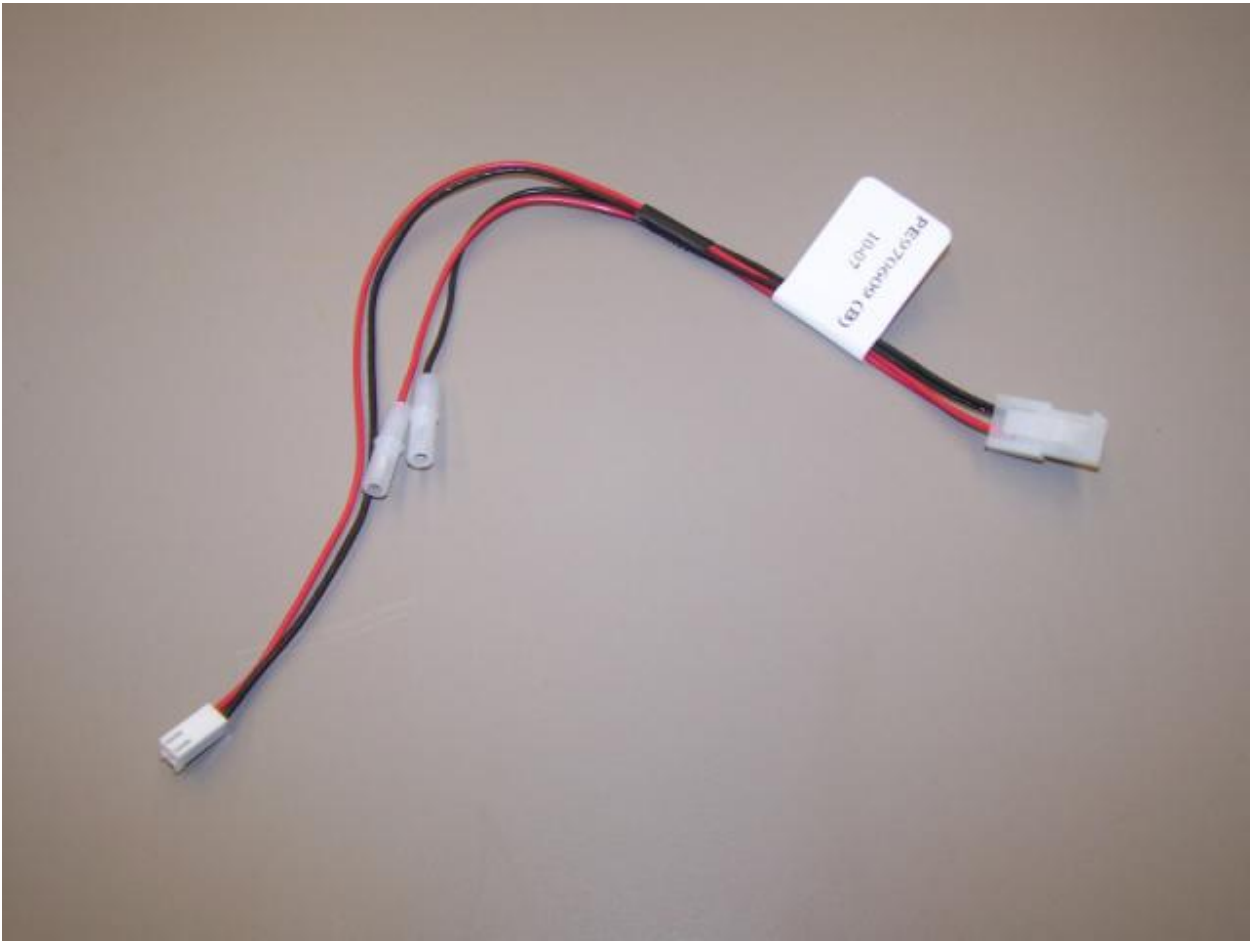
Ref #	Part Number	Qty.	Description
1	PE070877	1	HARNESS MACHINE COMP AR



Ref #	Part Number	Qty.	Description
1	PE970464	1	HARNESS LOW VOLT



Ref #	Part Number	Qty.	Description
1	PE070785	1	HARNESS HIGH VOLT



Ref #	Part Number	Qty.	Description
1	PE970609	1	HARNESS CONTROL BOARD

*No Image
Available*

Ref #	Part Number	Qty.	Description
1	PE970641	1	JUMPER FAN RESISTOR

*No Image
Available*

Ref #	Part Number	Qty.	Description
1	10916507	1	TUBE-PROCESS GRN