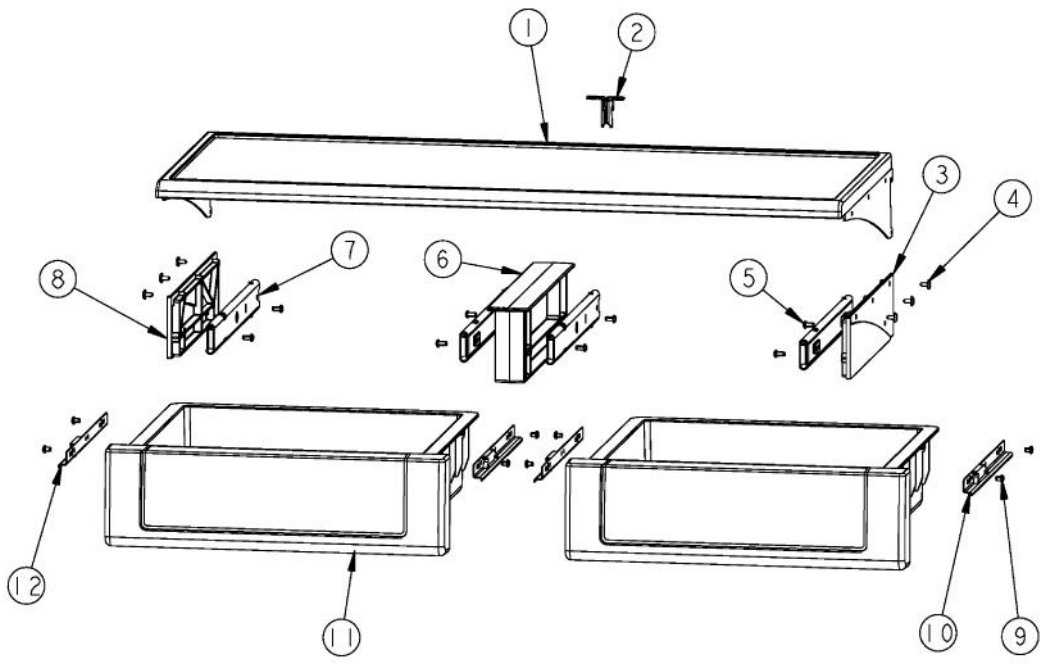
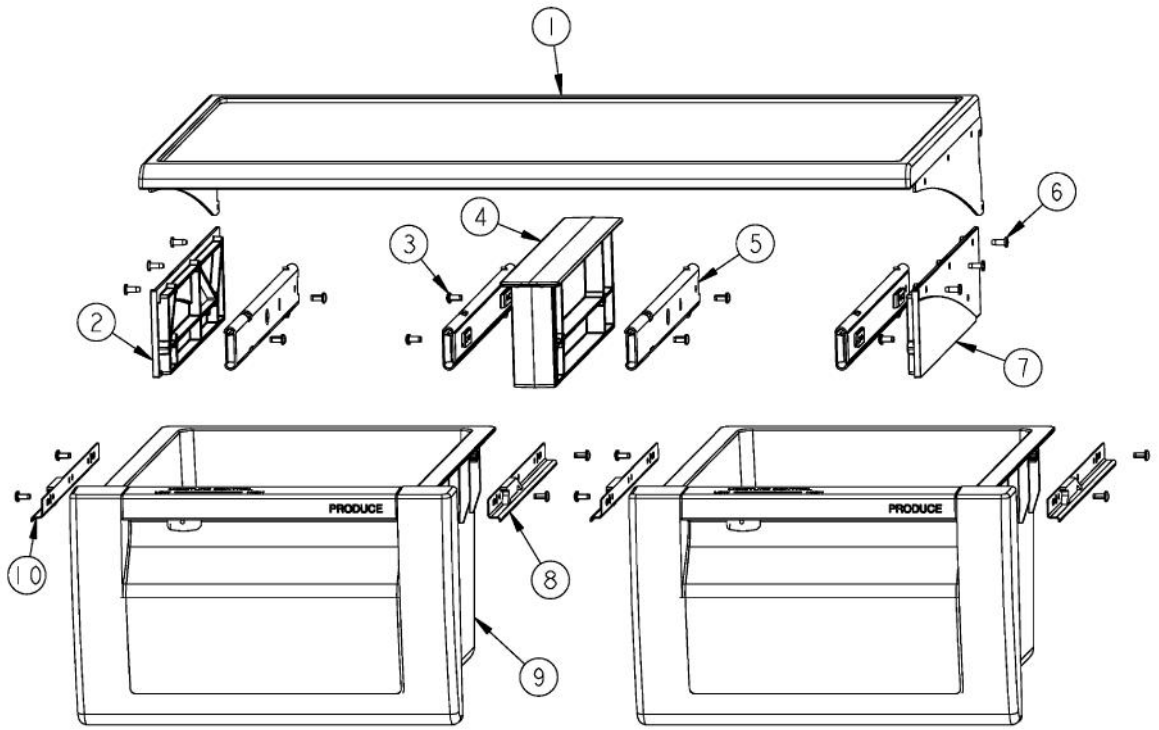


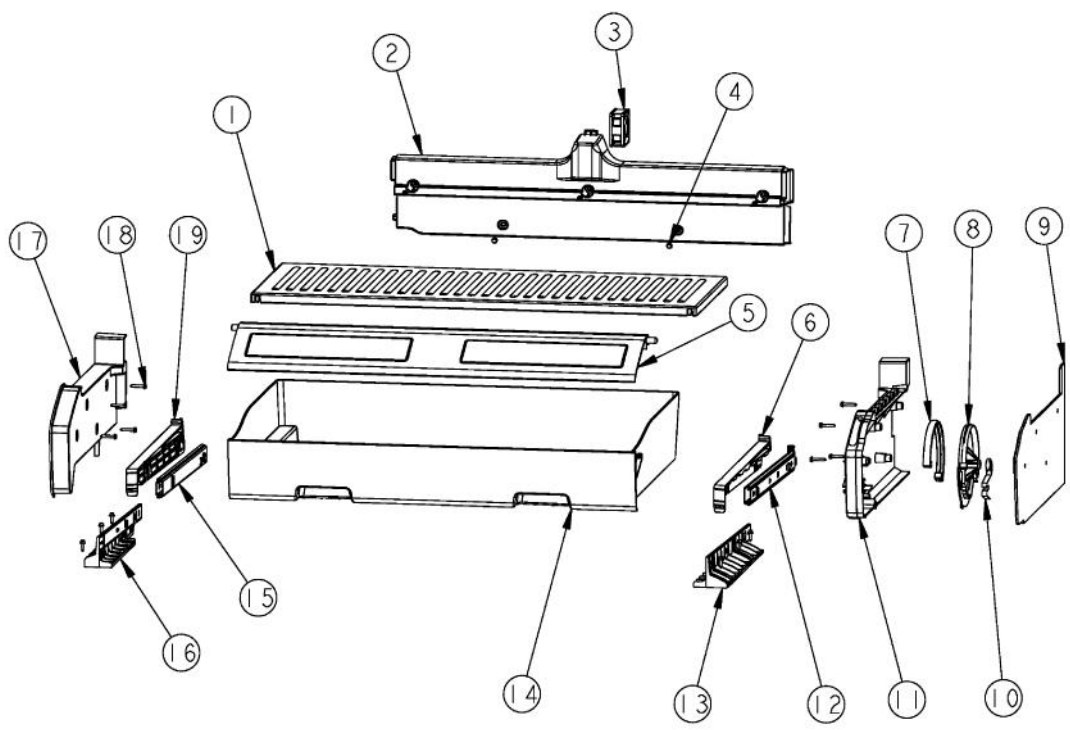
Ref #	Part Number	Qty.	Description
1	PM910351		SHELF ASM GLASS BM 36 FF
2	ProduceDrawerArea		FOR BREAKDOWN SEE PAGE 002
3	DELI DRAWER AREA		FOR BREAKDOWN SEE PAGE 002
4	MEAT SAVER DRAW...		FOR BREAKDOWN SEE PAGE 004



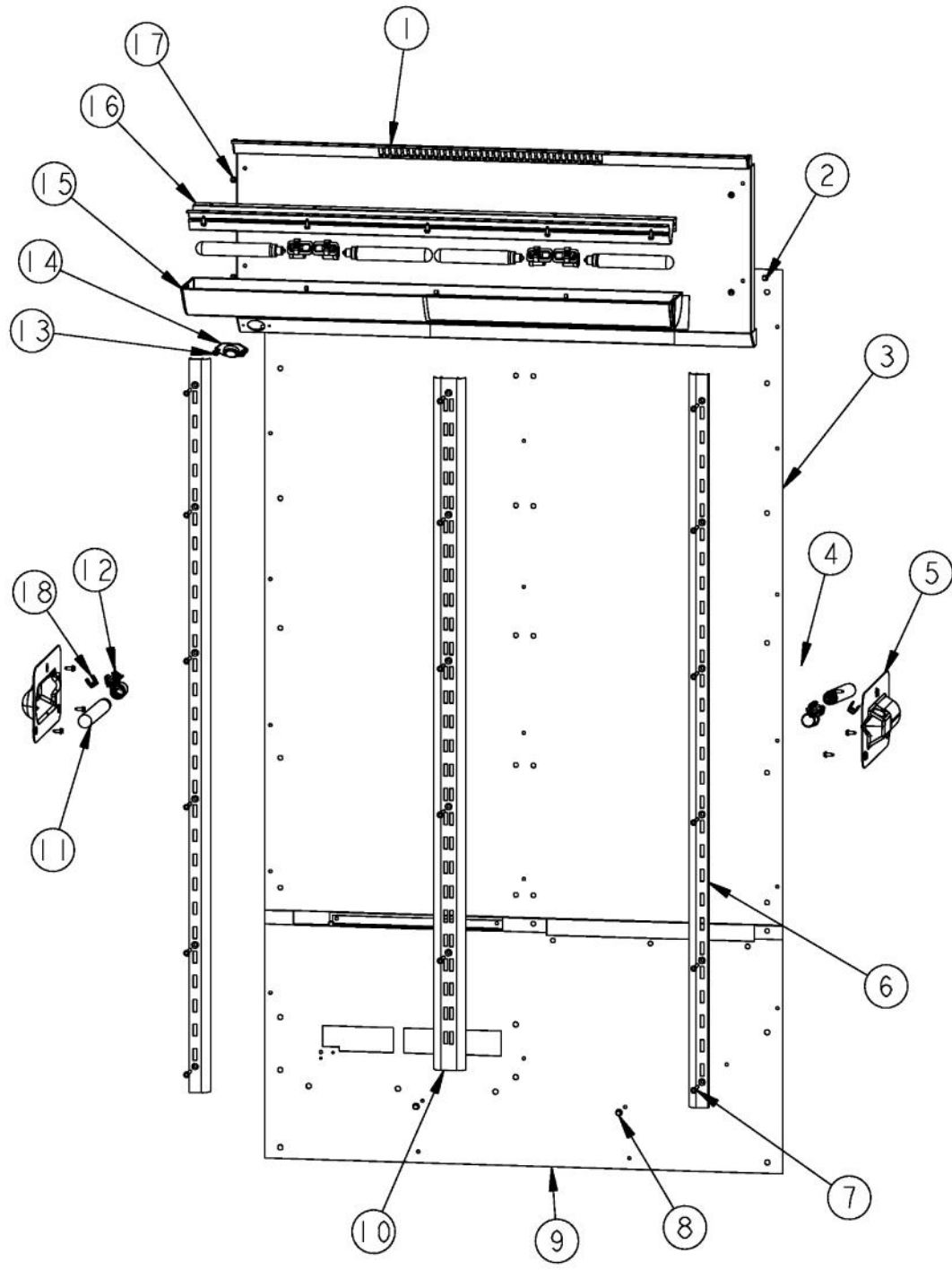
Ref #	Part Number	Qty.	Description
1	PM010530		SHELF ASM GLASS 36 AR 36 BM
2	120467		CRISPER RAIL ATTACHMENT
3	PK930290		SUPPORT SLIDE R
4	PD020032		SRW-8(A)X3/8PH.WFR HD 7/16DIAXNICL
5	PD920161		SCR 8-16 PLASTITE PNP 3/8 S
6	PK030439		GLIDE CENTER SUPPORT
7	PM910388		SLIDE DRAWER (R & L)
8	PK930291		SUPPORT SLIDE L
9	PD920162		SCR 8-16 PLASTITE PNP 1/4 S
10	PM910343		RAIL DRAWER R
11	PK930289		DRAWER DELI ASM AR 36
12	PM910342		RAIL DRAWER L



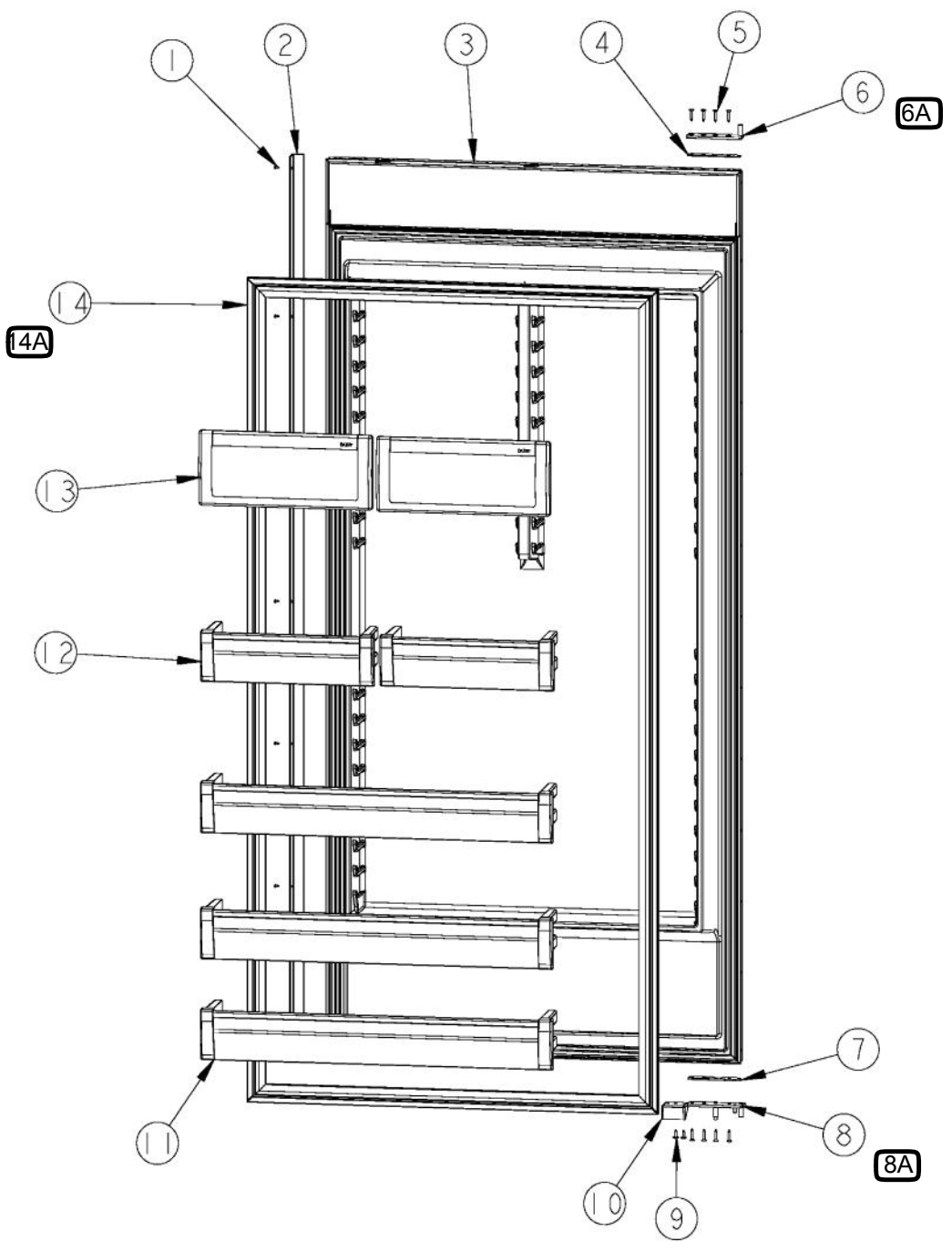
Ref #	Part Number	Qty.	Description
1	PM010530		SHELF ASM GLASS 36 AR 36 BM
2	PK930291		SUPPORT SLIDE L
3	PD920162		SCR 8-16 PLASTITE PNP 1/4 S
4	PK030439		GLIDE CENTER SUPPORT
5	PM910388		SLIDE DRAWER (R & L)
6	PD020032		SRW-8(A)X3/8PH.WFR HD 7/16DIAXNICL
7	PK930290		SUPPORT SLIDE R
8	PM910343		RAIL DRAWER R
9	PK930277		DRAWER PRODUCE ASM AR/BM 36
10	PM910342		RAIL DRAWER L



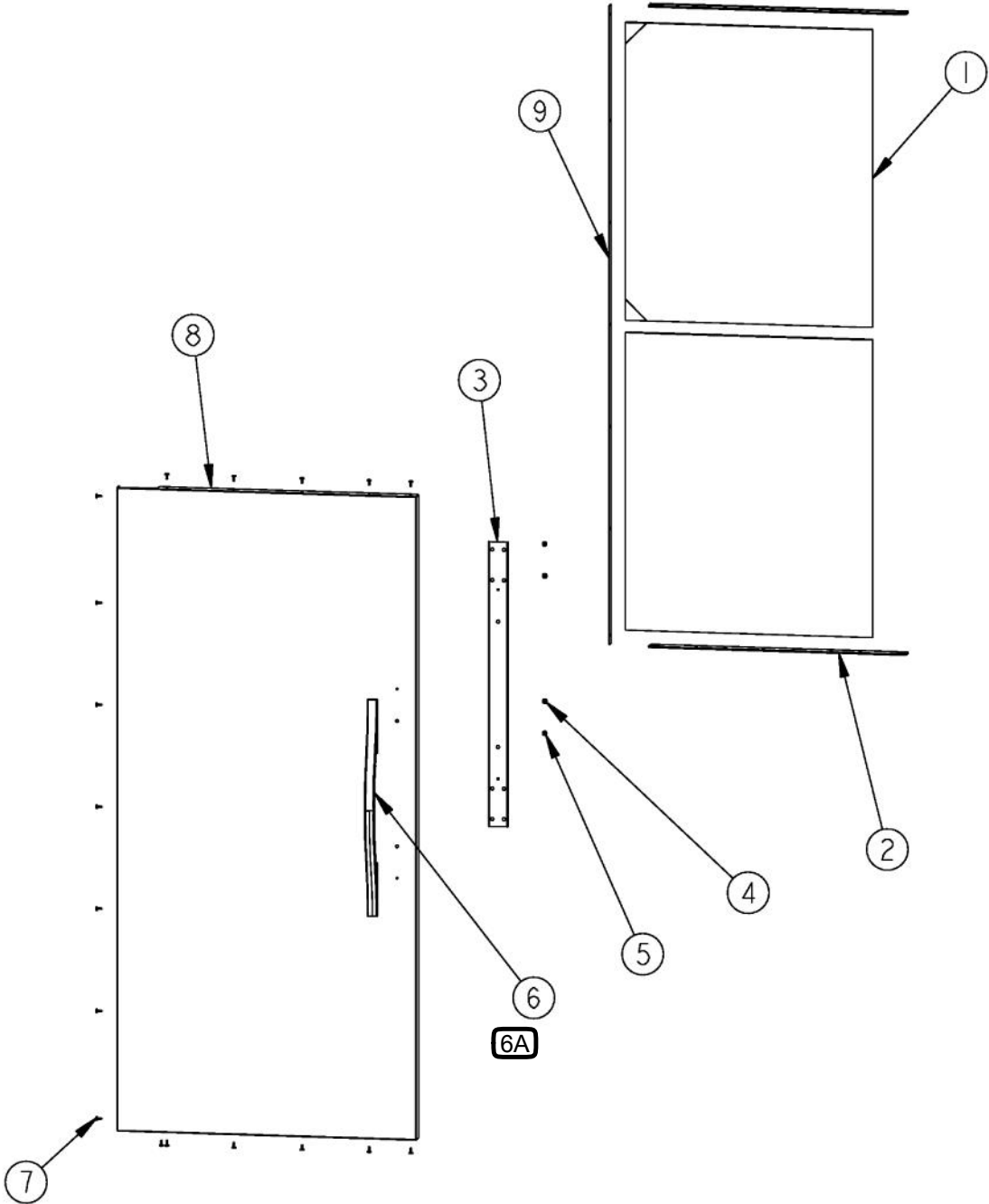
Ref #	Part Number	Qty.	Description
1	PK930286		SHELF MEATSAVOR AR/BM 36
2	PK930285		DUCT MEATSAVOR REAR AR 36
3	000730-000		MEAT SAVER FAN - 3.8 W
NI	020822-000	1	FAN RESISTOR KIT BEFORE SERIALNo. 110409R00010145
4	PD020195		SCR 8-18 X 5/8
5	PK930288		DOOR MEATSAVOR ASM AR/BM 36
6	PK930175		SUPPORT DRAWER MEAT SAVER SXS 42/48 R
7	PK930172		COVER CONTROL MEAT SAVER
8	PK930168		DIAL CONTROL MEAT SAVER
9	PK930283		DUCT MEATSAVOR SPACER
10	PM910334		ROLLER TENSION
11	PK930169		DUCT MEAT SAVER SXS 42/48 R
12	PM910287		SLIDE MEAT SAVER R
13	PK930173		SUPPORT SLIDE MEAT SAVER SXS 42/48 R
14	PK930278		DRAWER MEAT SAVER AR BM 36
15	PM910288		SLIDE MEAT SAVER L
16	PK930174		SUPPORT SLIDE MEAT SAVER SXS 42/48 L
17	PK930284		DUCT MEATSAVOR LEFT
18	M0211021		SCREW-SM
19	PK930176		SUPPORT DRAWER MEAT SAVER 42/48 L



Ref #	Part Number	Qty.	Description
1	L20914100		COVER EVAP AR 36
2	PD020194		SCREW-SM
3	L20913712		UPPER COVER SUMP
4	PK930346		COVER LIGHT
5	10270203		HOUSING-LIGHT V10270203
6	PM910280		LADDER SIDE AF 30 36
7	M0238535		SCREW-SM
8	PD020195		SCR 8-18 X 5/8
9	L20913716		COVER SUMP LOWER AR 36
10	PM910284		LADDER CENTER AR 36
11	A3079001		LAMP - 40W
12	PE950125		LIGHT SOCKET
13	M0211014		SCREW-SM
14	C8983701		THERMISTOR
15	PK930267		COVER LIGHT ASM AF AR BM 36
16	L20910705		BRACKET LIGHT AR 36
17	PD020238		SCR WH HEX WSHR HD SLTD NO.8-18 X 1/2
18	B5733302		CLIP-GROUND
NI	PB070288		1/4 X 1/2 CLOSED CELL SPONGE

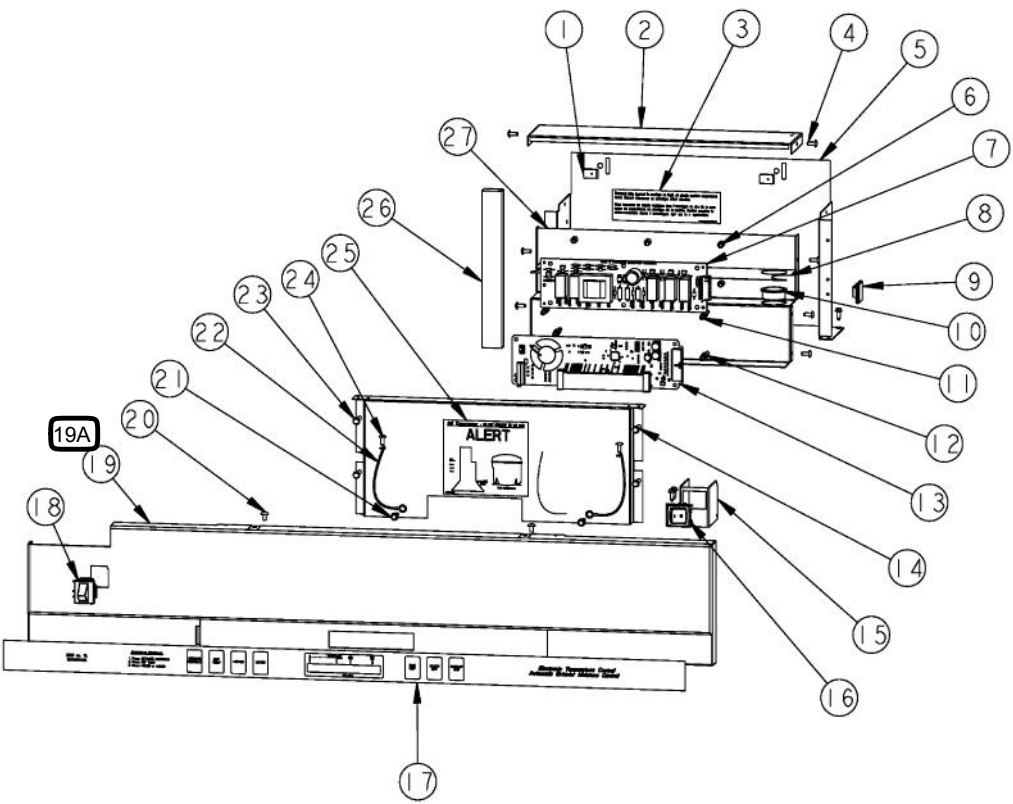


Ref #	Part Number	Qty.	Description
1	M0215704		SCREW-SM
2	PK930006		SPACER - SS DES
3	G32915043		DOOR ASM AR 36
4	PD040162		SPACER-DOOR HINGE
5	PD920174		10-32 TORX HEAD SCREW
6	PC020279		PIVOT PL ASM LH UP PRO/DES
6A	PC020278		PIVOT PL ASM RH UP PRO/DES
7	001617-000		SPACER,NYL,PIVOT PLATE
8	PC020277		PIVOT PL ASM LH LW PRO/DES
8A	PC020276		PIVOT PL ASM RH LW PRO/DES
9	M0210458		SCREW-SM
10	PD050019		STRIKER DOOR SWITCH
11	G5099297		DOOR BIN ASM FF 36 BM AND AR FULL
12	G5099298		DOOR BIN ASM FF 36 BM AND AR HALF
13	12097404		DAIRY MODULE ASSY
14	PB070334	1	DOOR GASKET (BEFORE 06-10-08)
14A	005447-000	1	GASKET,ASM,36,AFAR (ON OR AFTER 06-10-08)

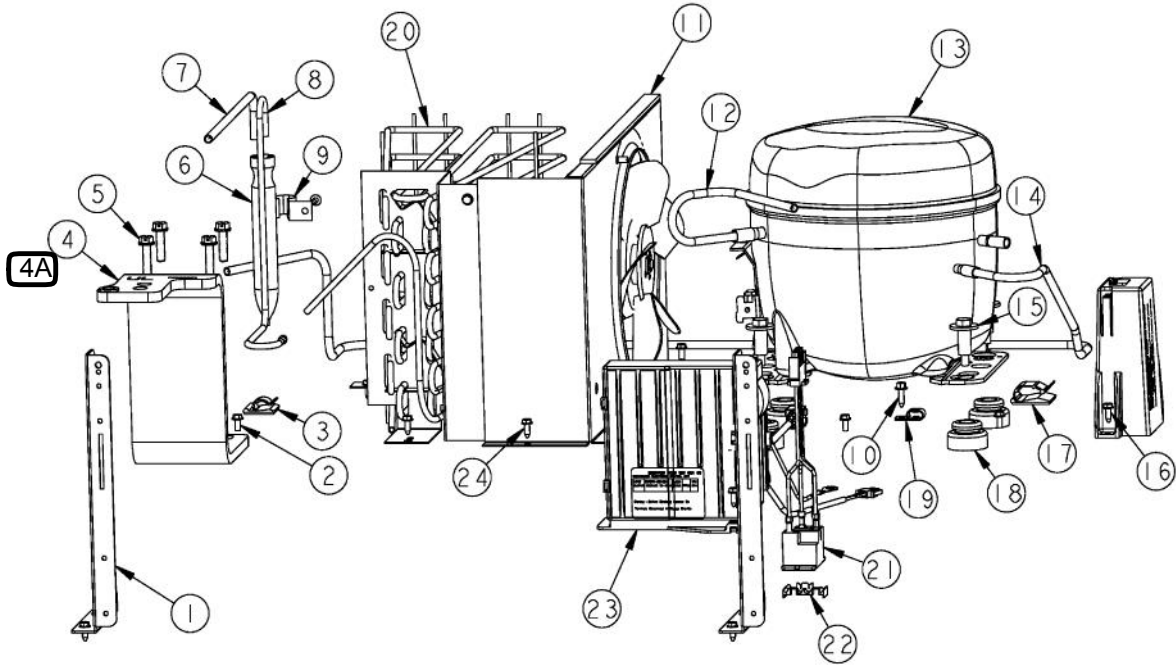


Ref #	Part Number	Qty.	Description
1	000754-000		BLOCK,EPS REF DOOR 36 AF AR DES
2	PK030554		TRIM DOOR BULLNOSE 36 TOP/BOT
3	K2097526		BRACKET - HANDLE SUPPORT
4	M0204303		SCREW-MACH
5	PD030152		CAPPED WASHER PAL NUT
6	PE030166		DESIGNER REFRIGERATOR HANDLE
6A	PE030092PVD		FF/FZ DR. HANDLE - DESIGNER - BRASS
7	M0210458		SCREW-SM
8	B20915621		DOOR SKIN AF AR 36 DES L
	C90915621AL		DOOR SKIN - LEFT HINGE (AL)
	C90915621BK		DOOR SKIN AF AR 36 DES L
	C90915621BT		DOOR SKIN AF AR 36 DES L
	C90915621BU		DOOR SKIN AF AR 36 DES L XBUX
	C90915621CB		DOOR SKIN AF AR 36 DES L XCBX
	C90915621EP		DOOR SKIN AF AR 36 DES L XEPX
	C90915621FG		DOOR SKIN - LEFT HINGE (FG)
	C90915621GG		DOOR SKIN AF AR 36 DES L
	C90915621LE		DOOR SKIN AF AR 36 DES L XLEX
	C90915621MJ		DOOR SKIN AF AR 36 DES L XMJX
	C90915621SG		DOOR SKIN AF AR 36 DES L
	C90915621VB		DOOR SKIN AF AR 36 DES L XVBX
	C90915621WH		DOOR SKIN AF AR 36 DES L
	B20915623		DOOR SKIN AF AR 36 DES R
	C90915623AL		DOOR SKIN - AL (RH)
	C90915623BK		DOOR SKIN AF AR 36 DES R
	C90915623BT		DOOR SKIN AF AR 36 DES R
	C90915623BU		DOOR SKIN AF AR 36 DES R
	C90915623CB		DOOR SKIN AF AR 36 DES R
	C90915623EP		DOOR SKIN - EP (RH)
	C90915623FG		DOOR SKIN - FG (RH)
	C90915623GG		DOOR SKIN AF AR 36 DES R
	C90915623LE		DOOR SKIN AF AR 36 DES R
	C90915623MJ		DOOR SKIN AF AR 36 DES R
	C90915623SG		DOOR SKIN AF AR 36 DES R
	C90915623VB		DOOR SKIN AF AR 36 DES R
	C90915623WH		DOOR SKIN AF AR 36 DES R
9	PD940087		SPACER DOOR SKIN-HINGE SIDE (75.1)
	PD940087		SPACER DOOR SKIN-HINGE SIDE (75.1)
	PE940176		TRIM - DOOR SXS PRO SIDES
	PK030554		TRIM DOOR BULLNOSE 36 TOP/BOT
	000755-000		BLOCK,EPS REF DOOR 36 AF AR PRO
	PE030001		BRACKET, DOOR, HANDLE
	PE030001PVD		END CAP DOOR HANDLE XBR
	B20915620		SKIN DOOR AF AR 36 PRO L
	C90915620AL		SKIN DOOR AF AR 36 PRO L
	C90915620BK		SKIN DOOR AF AR 36 PRO L
	C90915620BT		SKIN DOOR AF AR 36 PRO L
	C90915620BU		SKIN DOOR AF AR 36 PRO L
	C90915620CB		SKIN DOOR AF AR 36 PRO L
	C90915620EP		SKIN DOOR AF AR 36 PRO L
	C90915620FG		SKIN DOOR AF AR 36 PRO L
	C90915620GG		SKIN DOOR AF AR 36 PRO L
	C90915620LE		SKIN DOOR AF AR 36 PRO L
	C90915620MJ		SKIN DOOR AF AR 36 PRO L
	C90915620SG		SKIN DOOR AF AR 36 PRO L
	C90915620VB		SKIN DOOR AF AR 36 PRO L
	L20915620WH		SKIN DOOR AF AR 36 PRO L
	B20915622		SKIN DOOR AF AR 36 PRO R
	C90915622AL		SKIN DOOR AF AR 36 PRO R
	C90915622BK		SKIN DOOR AF AR 36 PRO R

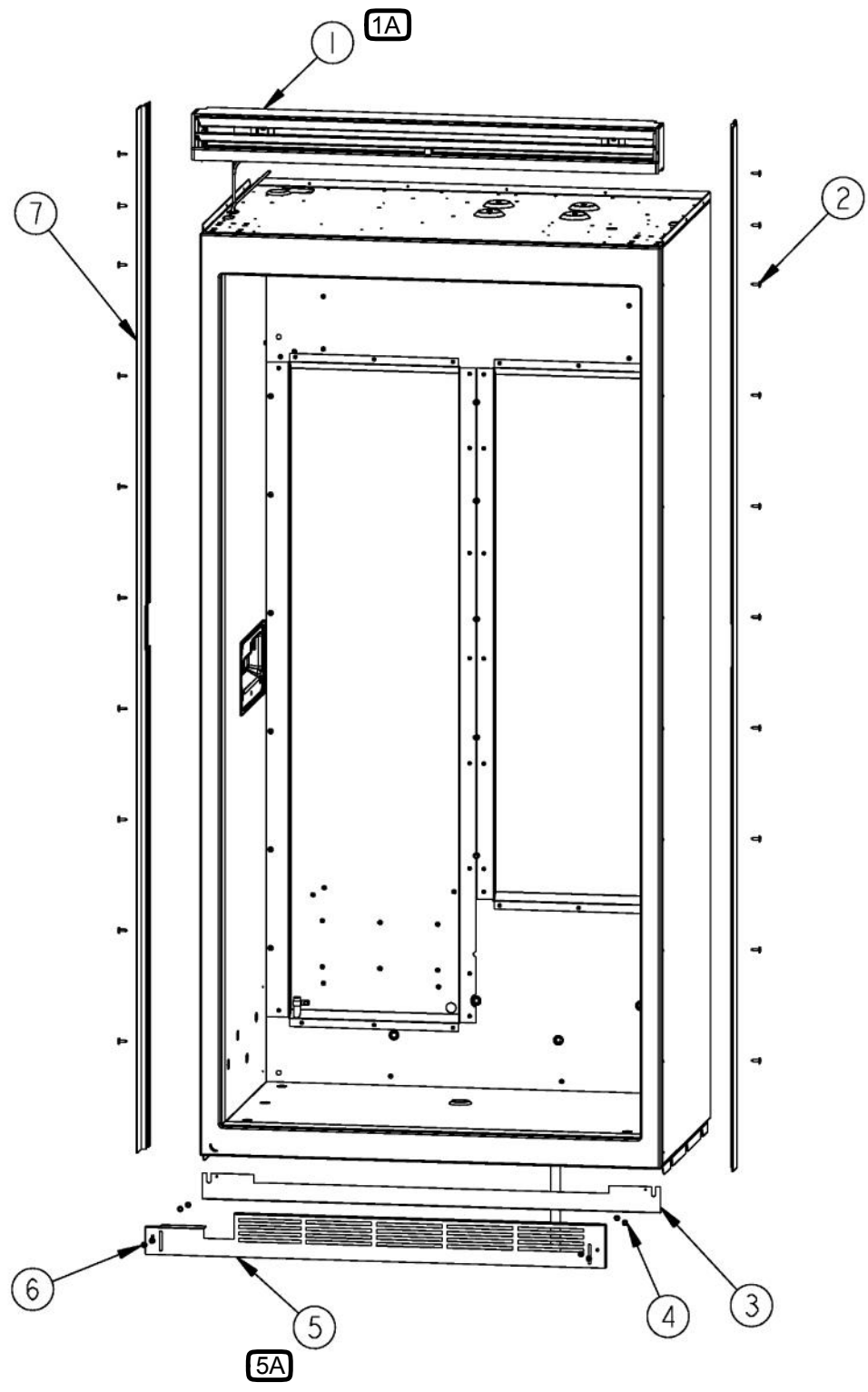
Ref #	Part Number	Qty.	Description
	C90915622BK		SKIN DOOR AF AR 36 PRO R
	C90915622BT		SKIN DOOR AF AR 36 PRO R
	C90915622BU		SKIN DOOR AF AR 36 PRO R
	C90915622CB		SKIN DOOR AF AR 36 PRO R
	C90915622EP		SKIN DOOR AF AR 36 PRO R
	C90915622FG		SKIN DOOR AF AR 36 PRO R
	C90915622GG		SKIN DOOR AF AR 36 PRO R
	C90915622LE		SKIN DOOR AF AR 36 PRO R
	C90915622MJ		SKIN DOOR AF AR 36 PRO R
	C90915622SG		SKIN DOOR AF AR 36 PRO R
	C90915622VB		SKIN DOOR AF AR 36 PRO R
	L20915622WH		SKIN DOOR AF AR 36 PRO R
	PE010030		LOGO, 6, PRO, BK
	PE010068		LOGO, 6, PRO, BK/BR
	PE010031		LOGO 6 (VGRC) XBK/WHX
	PE010076		LOGO 6 (VGRC) XBR/WHX
	PD030006		CAPPED WASHER PAL NUT
	K2097596		EVAP COVER - TOP
	M0204303		SCREW-MACH
	PE930101		VCSB482 HANDLE -(12466403)
	PE030173PVD		BRASS HANDLE



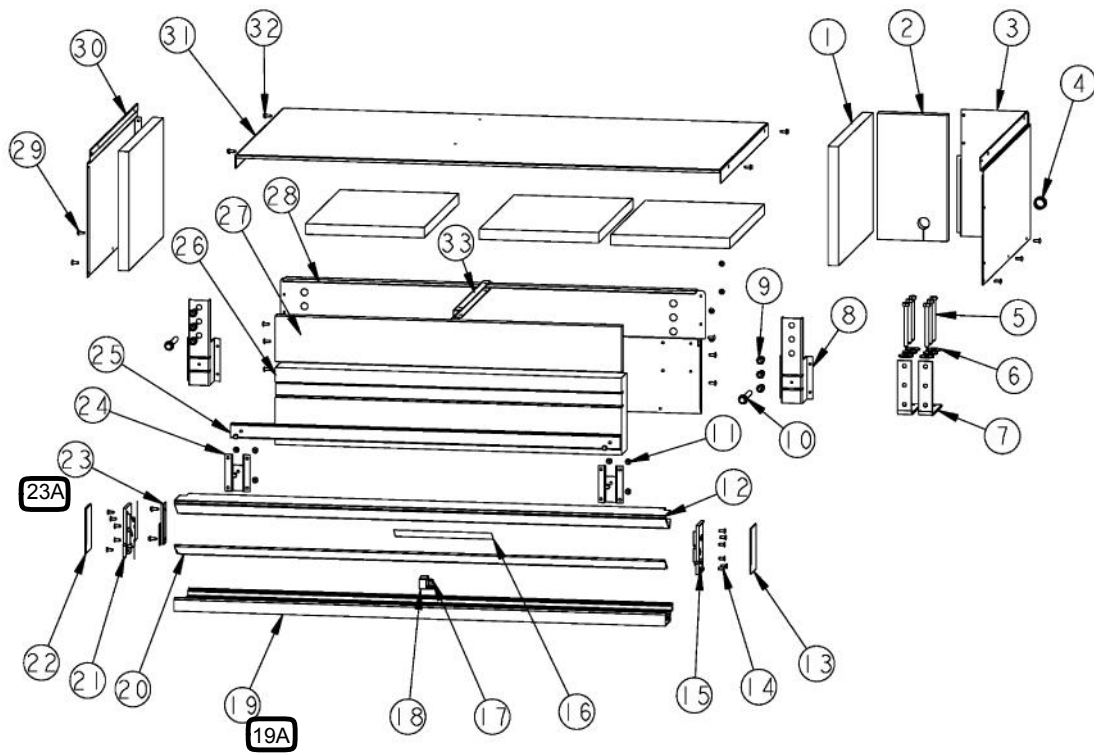
Ref #	Part Number	Qty.	Description
1	M0288120		NUT-SPEED, VM0288120
2	K20915000		CONTROL BOX TOP
3	PF930487		TECH LITERATURE LABEL - 2
4	PC040010		POP RIVET
5	K2099402		CONTROL BOX
6	M0585504		SUPPORT
7	PE970463		POWER CONTROL BOARD
8	PM910325		FILM PROTECTIVE
9	M0104106		CLIP-CORD VM0104106
10	A4554817		BUSHING-SNAP VA4554817
11	PD020013		TYPE AB NO.6 X 3/8 PH PAN HD. SMS
12	M0585506		SUPPORT
13	PE070728		BOARD LOW VOLTAGE
14	K20910061		CONTROL BOX FRONT
15	K2098654		BRACKET SWITCH POWER
16	PE950149		SWITCH POWER
17	PE950181		OVERLAY SWITCH AR 36
18	PE950122		SWITCH
19	PK030459		PANEL CONTROL AR 36 L
19A	PK030458		PANEL CONTROL AR 36 R
20	M0224128		SCREW-SM
21	M0238846		SCREW-SHLDR
22	12064001		SUPP-CONT PANEL
23	PD020194		SCREW-SM
24	PC040010		POP RIVET
25	PF930672		LABEL DC COMPRESSOR
26	A3030361		GASKET, RED
27	K20910060		BRACKET - PC



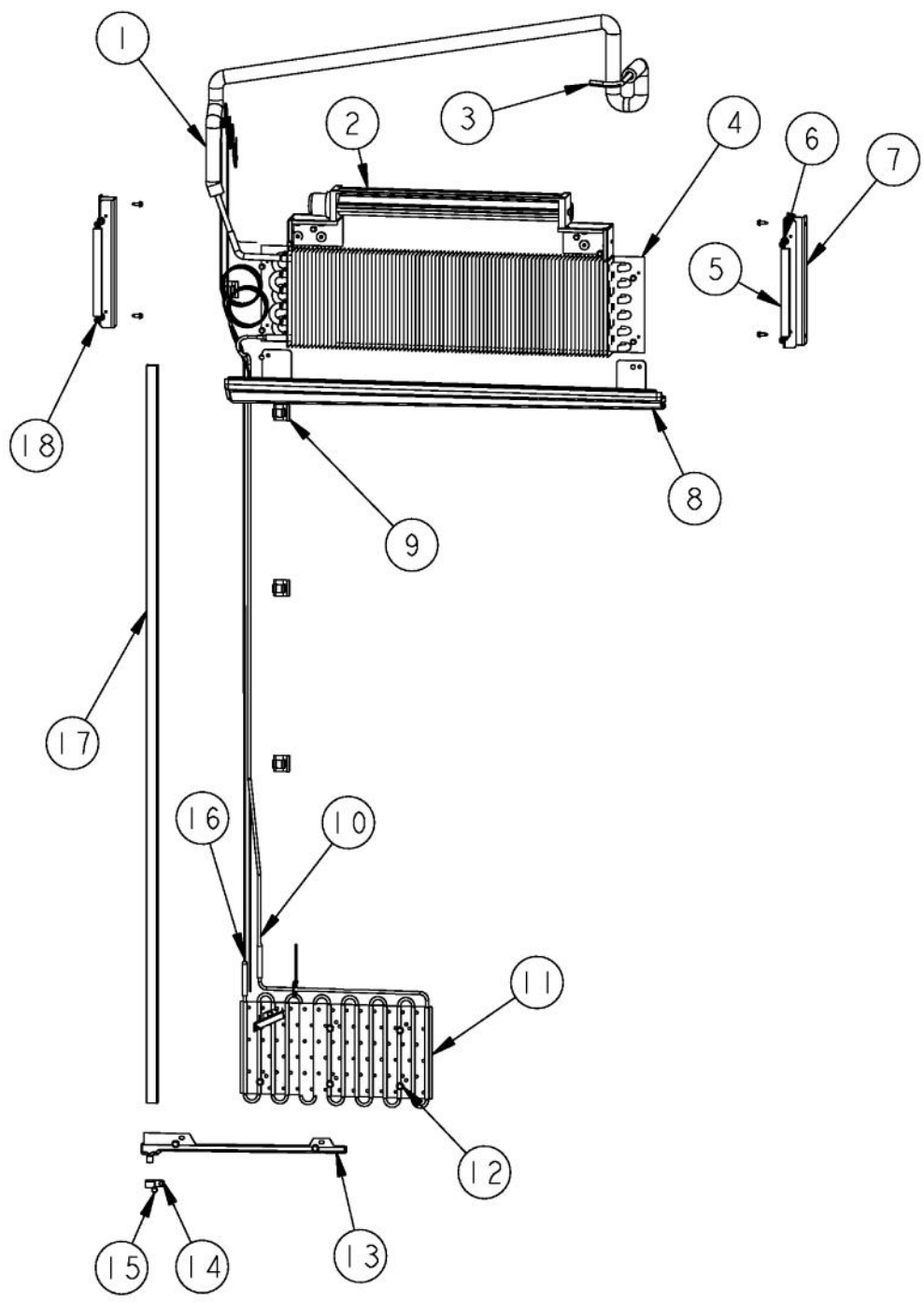
Ref #	Part Number	Qty.	Description
1	K20912569		BRACKET GRILLE SUPPORT
2	PD020010		10 X 3/8 GREEN GROUNDING SCREW
3	M0104106		CLIP-CORD VM0104106
4	PC920204		HINGE ASM UL
4A	PC920203		HINGE ASM UR
5	000570-000		HEX SCREW
6	10743201		DRIER, HI SIDE
7	F2097740		TUBE PROCESS
8	F2096669		TUBE-DRIER COND
9	10547001		CLIP-DRIER V10547001
10	PD020195		SCR 8-18 X 5/8
11	G5096494		COND. FAN ASSY
12	F2096507		TUBE-PROCESS GRN
13	G50911820		COMPRESSOR KIT (INCLUDES DRIER)
14	F20910729		TUBE DISCHARGE FORMED AF AR 36
15	M0221523		SCREW - SHLDR
16	PE970608		POWER SUPPLY 24 VDC 15 W
17	M0104102		CLIP-CORD RED
18	10835901		GROMMET RUBBER V10835901
19	002573-000		CLAMP CORD
20	PB920171		CONDENSER ASM
21	G50915958		ASM AR SABBATH MODE RELAY
22	M0327801		SPLICE TAP
23	PE070849		INVERTER
24	PD020194		SCREW-SM



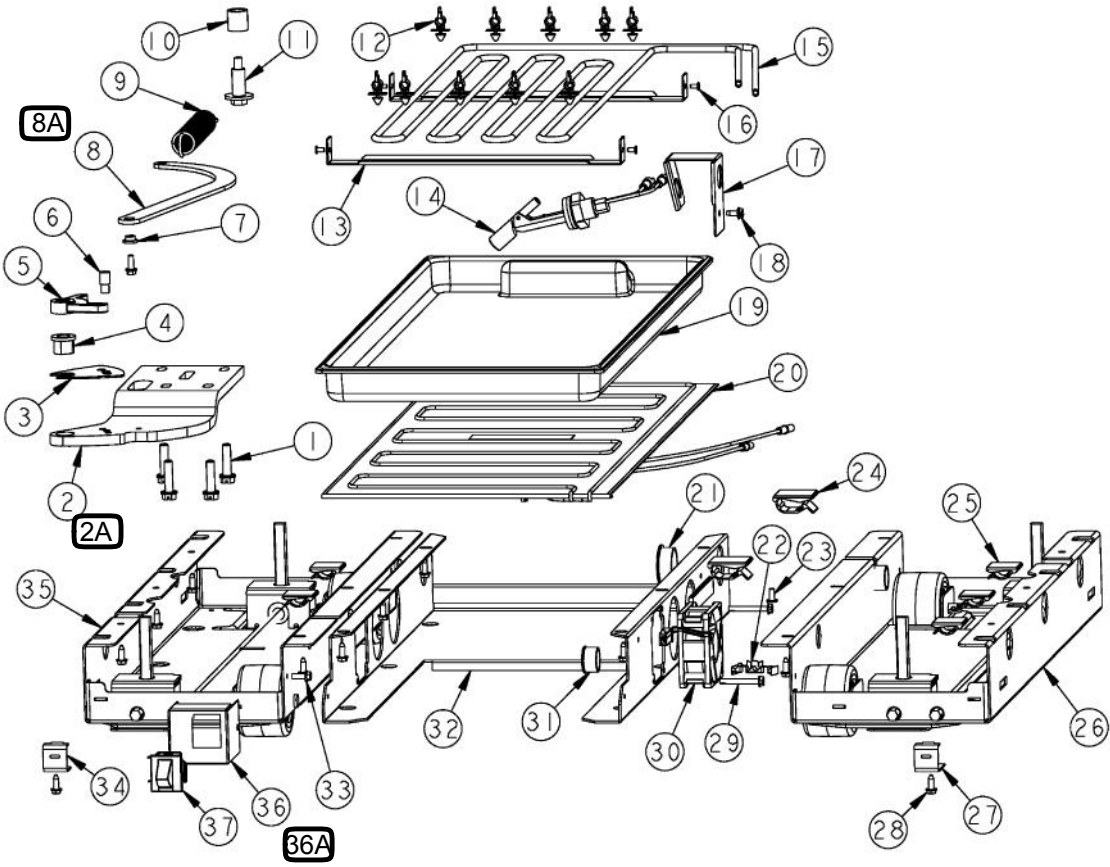
Ref #	Part Number	Qty.	Description
1	G32911120		GRILLE ASM AF AR 36 DES L (FOR BREAKDOWN SEE PAGE 011)
1A	G32911121		GRILLE ASM AF AR 36 DES R (FOR BREAKDOWN SEE PAGE 011)
2	M0210458		SCREW-SM
3	000147-002		KICKPLATE, LWR
4	40370P01		NYLON FLAT WASHER V40370P01
5	C9099206BK		GRILLE TOE VENTED 36 LH XBKX
5A	C90910759BK		GRILLE TOE VENTED 36 XBKX
6	M0210443		SCREW-E SM
7	PK920066		SIDE TRIM
NI	G32915028		COMPLETE TOE GRILLE ASSEMBLY - LEFT HINGE (CONTAINS ITEMS NO. 3 - NO. 6)
NI	G50915027		GRILLE TOE ASM AF AR 36 R (CONTAINS ITEMS NO. 3 - NO. 6)



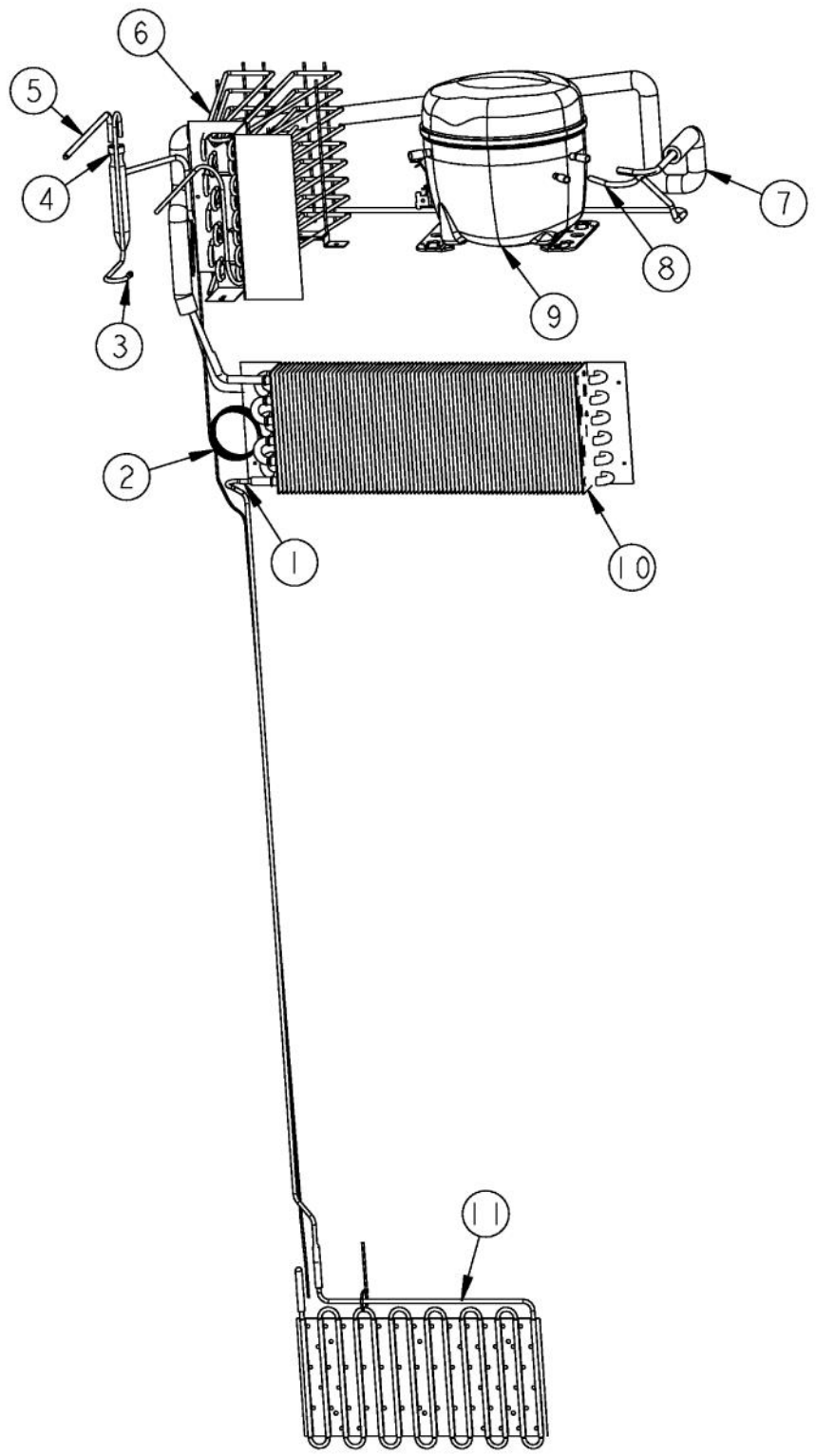
Ref #	Part Number	Qty.	Description
1	PB070355		INSULATION MC COVER
2	PB970171		MC INSULATION - BACK SIDE
3	K2099459		MC SIDE R
4	A4554806		BUSHING-SNAP VA4554806
5	M0223509		SCREW-LAG
6	M0270510		WASHER
7	PK910089		BRACKET, ANTI - TIP
8	K20915675		BRACKET PSM
9	PD040157		BEARING SLEEVE
10	PD020233		SCR LAG 5/16-9 GX 5/16X7/16 WAF IHXW 3 S ZN
11	M0224128		SCREW-SM
12	PM910418		GRILLE LOUVER UPPER AF AR 36 DES FOL
13	PM910072		COVER - END CAP 12119802
14	M0215318		SCREW-SM
15	PM910348		ENP CAP GRILLE R
16	PF930523		GRILL BLADE LABEL (REFRIGERATOR)
17	M0230028		SCREW-TC
18	PM910084		SUPPORT GRILLE 12201201
19	PM910419		GRILLE LOUVER LOWER AF AR 36 L DES FOL
19A	PM910421		GRILLE LOUVER LOWER AF AR 36 R DES FOL
20	PM910429		GRILLE LOUVER MID AF AR 36 DES FOL
21	PM910349		END CAP GRILLE L
22	PM910071		COVER - END CAP 12119801
23	K2099471		BRACKET GRILLE SUPPORT L
23A	K2099470		BRACKET GRILLE SUPPORT R
24	PK050004		BRACKET GRILLE
25	K20915902		CROSSMEMBER PSM 36
26	PB070359		INSULATION MC COVER
27	PB070358		INSULATION MC COVER
28	K2099933		MC BACK 36
29	PC040010		POP RIVET
30	K2099460		MC SIDE L
31	K2099931		MC TOP 36
32	PD020194		SCREW-SM
33	K2099455		SUPPORT MC Z
	B20911818		GRILL ENDCAP PRO L/R NON-HINGE
	B20911392		GRILLE LOUVER MID 36 PRO
	B2096961		BRACKET-LOUVER
	M0220417		SCREW-TC
	B20911391		GRILLE LOUVER TOP 36 PRO
	B2096962		BRACKET-LOUVER SUP
	B20911122		GRILLE LOUVER BOT 36 PRO
	B20911816		GRILLE ENDCAP PRO L
	K2099460		MC SIDE L
	K2099455		SUPPORT MC Z



Ref #	Part Number	Qty.	Description
1	PB970187		INSULATION TUBING 57.500
2	G50914135		ASM FAN MOUNTING AR 36
3	F2099936		TUBE SUCTION AR 36
4	PM910455		EVAPORATOR AR 36 30
5	PB070288		1/4 X 1/2 CLOSED CELL SPONGE
6	PD040150		WASHER FLAT NYLON NO.10
7	K20914102		ANGLE UPR EVAP MNT AR 30 36
8	G50914189		DRAIN PAN ASM UPPER AR36
9	M0104106		CLIP-CORD VM0104106
10	F20913720		TUBE EVAP AR 36
11	PM910496		MS HEAT EXCH ASM AR 36 30
12	PD020032		SRW-8(A)X3/8PH.WFR HD 7/16DIAXNICL
13	PK030445		PAN DRAIN LOWER EVAP AR 30 36
14	PD030148		CLAMP CABLE ALUMINUM .500 DIA. (AL-8 CLAMP)
15	PD020194		SCREW-SM
16	F20912568		CAPILLARY TUBE
17	PK030446		DRAIN VERTICAL AR 30 36
18	PD020238		SCR WH HEX WSHR HD SLTD NO.8-18 X 1/2



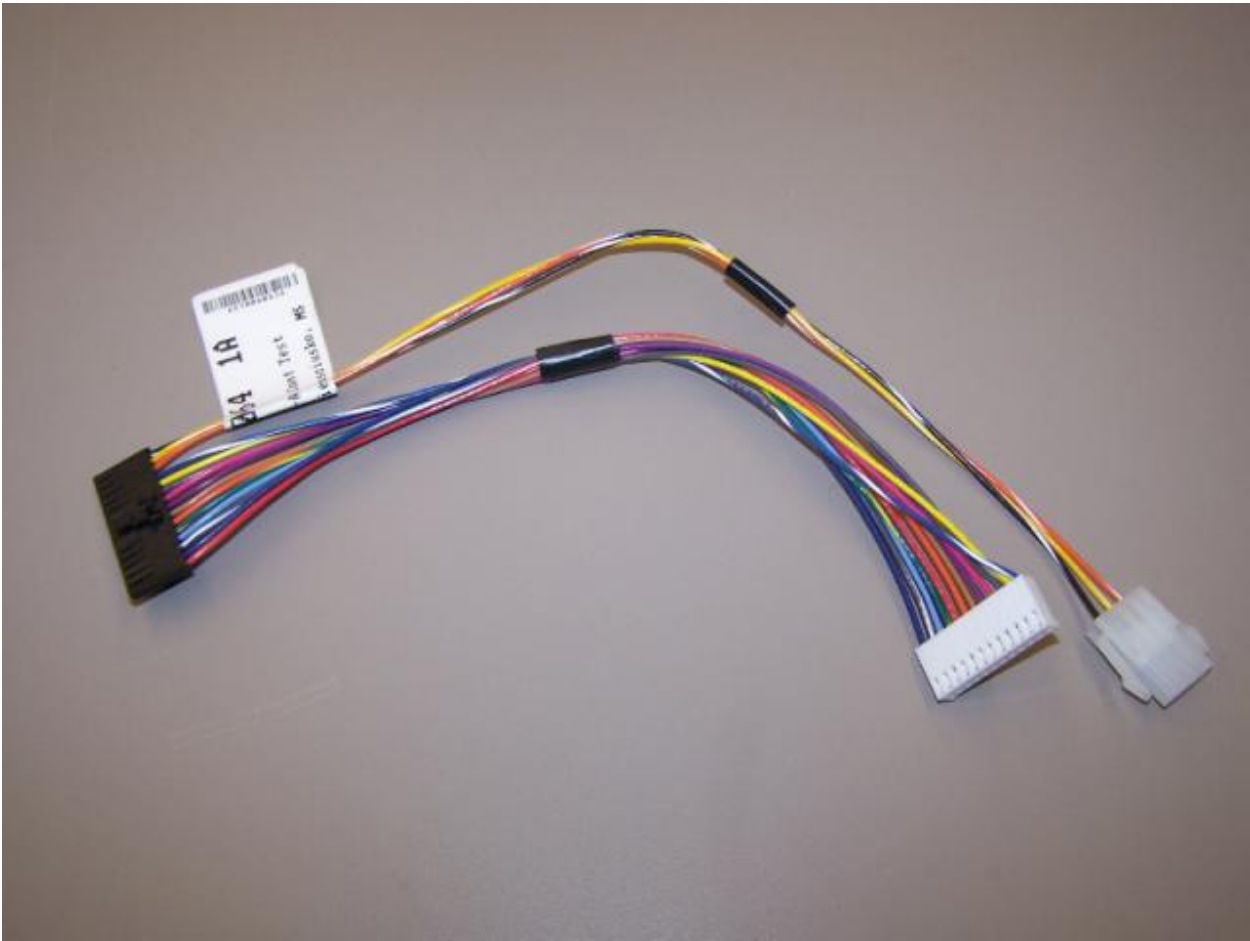
Ref #	Part Number	Qty.	Description
1	000570-000		HEX SCREW
2	PC020289		HINGE PLATE LL
2A	PC920215		HINGE PLATE SXS LR
3	PC920144		PLATE - WC DOOR SHIM
4	PD940090		BUSHING - WC DOOR LEVEL
5	PD940091		BUSHING - DOOR STOP
6	PC920145		PIN - DOOR STOP
7	PD940094		BUSHING
8	PC920149		BAR-WC BOT HINGE LH
8A	PC920166		BAR-WC BOT HINGE RH
9	PC910015		SPRING EXTENSION
10	PD940107		ROUND SPRING SPACER
11	M0221523		SCREW - SHLDR
12	PD030146		STAND OFF LOCK CLIP
13	K20911831		BRACKET CONDENSATE SUPPORT
14	PE050248		FLOAT SWITCH HORIZONTAL
15	F20915696		SERPENTINE CONDENSER DRAIN
16	PC040010		POP RIVET
17	B20915627		BRACKET HORIZ FLOAT SWITCH
18	M0253916		SCREW-TF
19	PK930348		PAN DRAIN
20	G50914125		TRAY PAN HEATER
21	A4554817		BUSHING-SNAP VA4554817
22	M0327801		SPLICE TAP
23	PD020010		10 X 3/8 GREEN GROUNDING SCREW
24	M0104102		CLIP-CORD RED
25	M0104106		CLIP-CORD VM0104106
26	PM910398		LEVELER ASSEMBLY - R
27	K2098044		BRKT GRILLE SUPPORT
28	PD020194		SCREW-SM
29	PD020274		SCR SLTD HEX WSHR HD 8X1.250 BT
30	000731-000		AXIAL FAN
31	A4554806		BUSHING-SNAP VA4554806
32	K20915952		SHIELD BOTTOM DRAIN
33	M0220417		SCREW-TC
34	K2098096		BRKT GRILLE SUPPORT
35	PM910399		LEVELER MODULE L
36	002668-000		SWITCH,GRILLE,MT,LH
36A	002667-000		SWITCH,GRILLE,MT,RH
37	PE950147		SWITCH SPST NC BLACK



Ref #	Part Number	Qty.	Description
1	F20913720		TUBE EVAP AR 36
2	F20912568		CAPILLARY TUBE
3	F2096669		TUBE-DRIER COND
4	10743201		DRIER, HI SIDE
5	F2097740		TUBE PROCESS
6	PB920171		CONDENSER ASM
7	F2099936		TUBE SUCTION AR 36
8	F20910729		TUBE DISCHARGE FORMED AF AR 36
9	G50911820		COMPRESSOR KIT (INCLUDES DRIER)
10	PM910455		EVAPORATOR AR 36 30
11	PM910496		MS HEAT EXCH ASM AR 36 30

*No Image
Available*

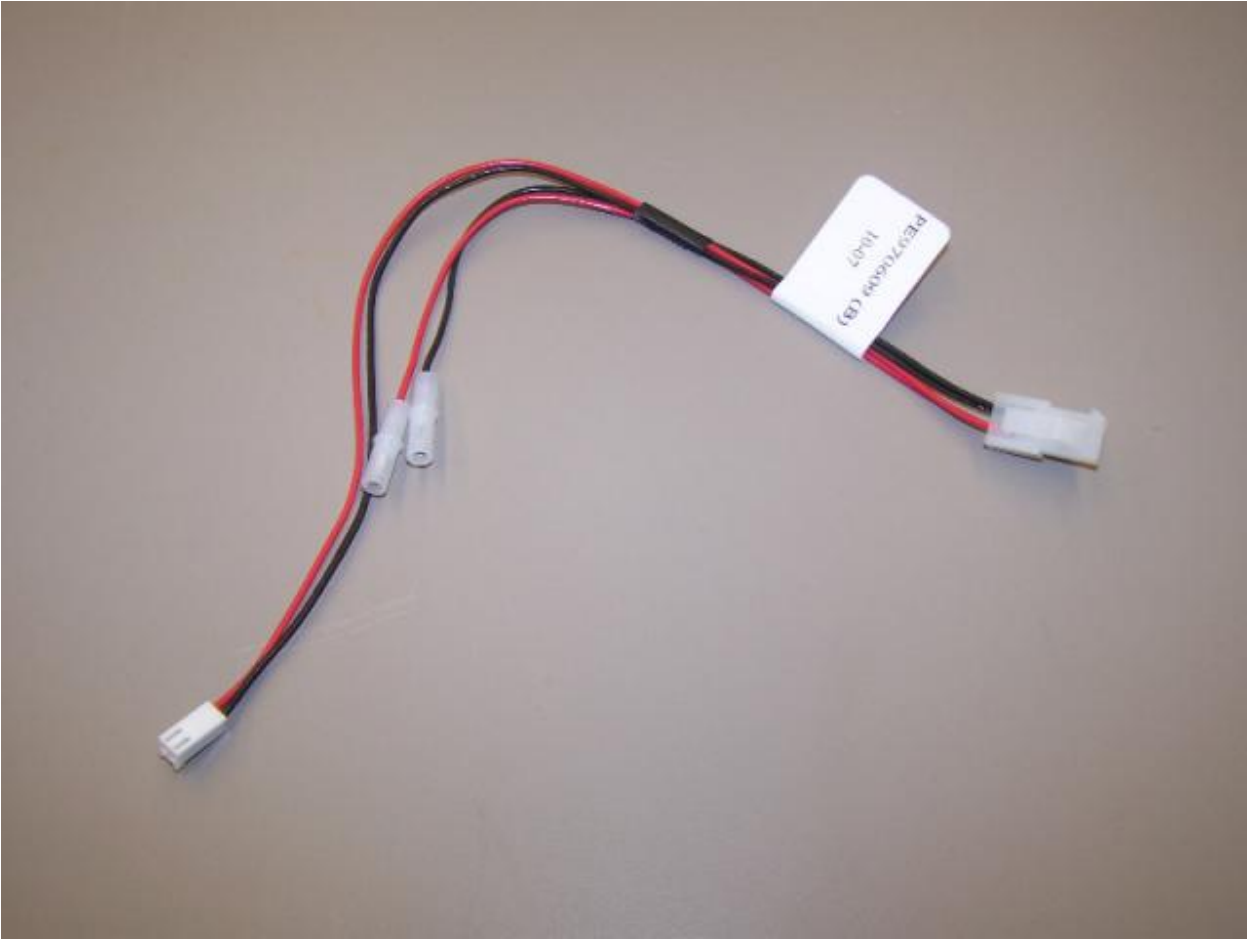
Ref #	Part Number	Qty.	Description
1	PE070877		HARNESS MACHINE COMP AR



Ref #	Part Number	Qty.	Description
1	PE970464		HARNESS LOW VOLT



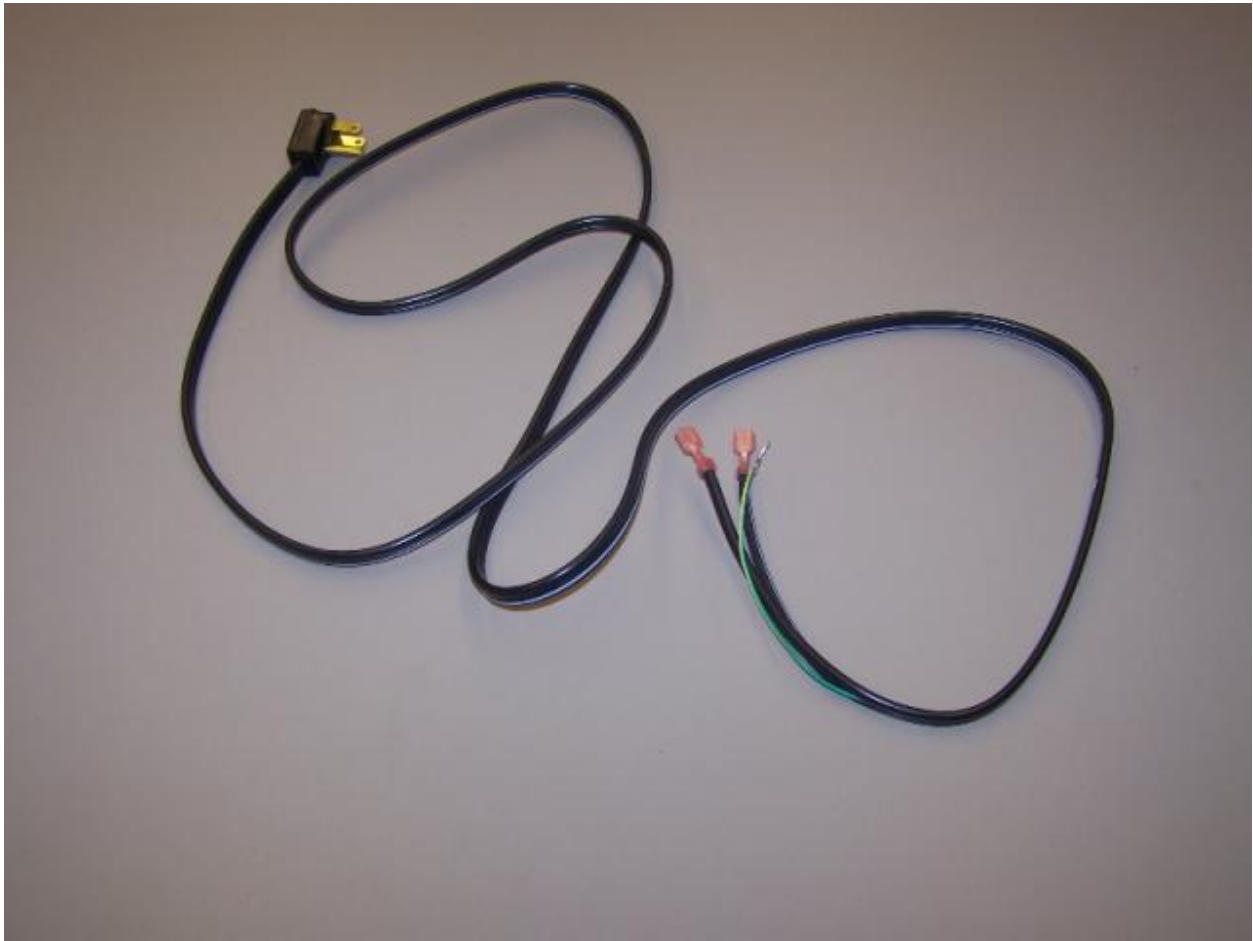
Ref #	Part Number	Qty.	Description
1	PE070785		HARNESS HIGH VOLT



Ref #	Part Number	Qty.	Description
1	PE970609		HARNESS CONTROL BOARD

*No Image
Available*

Ref #	Part Number	Qty.	Description
1	PE970641		JUMPER FAN RESISTOR



Ref #	Part Number	Qty.	Description
1	10916507		TUBE-PROCESS GRN