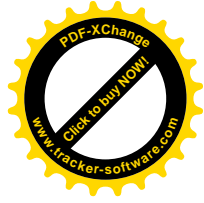
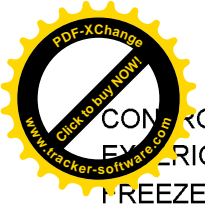


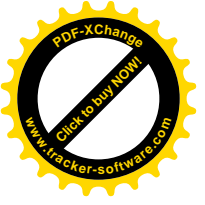


DDSB542

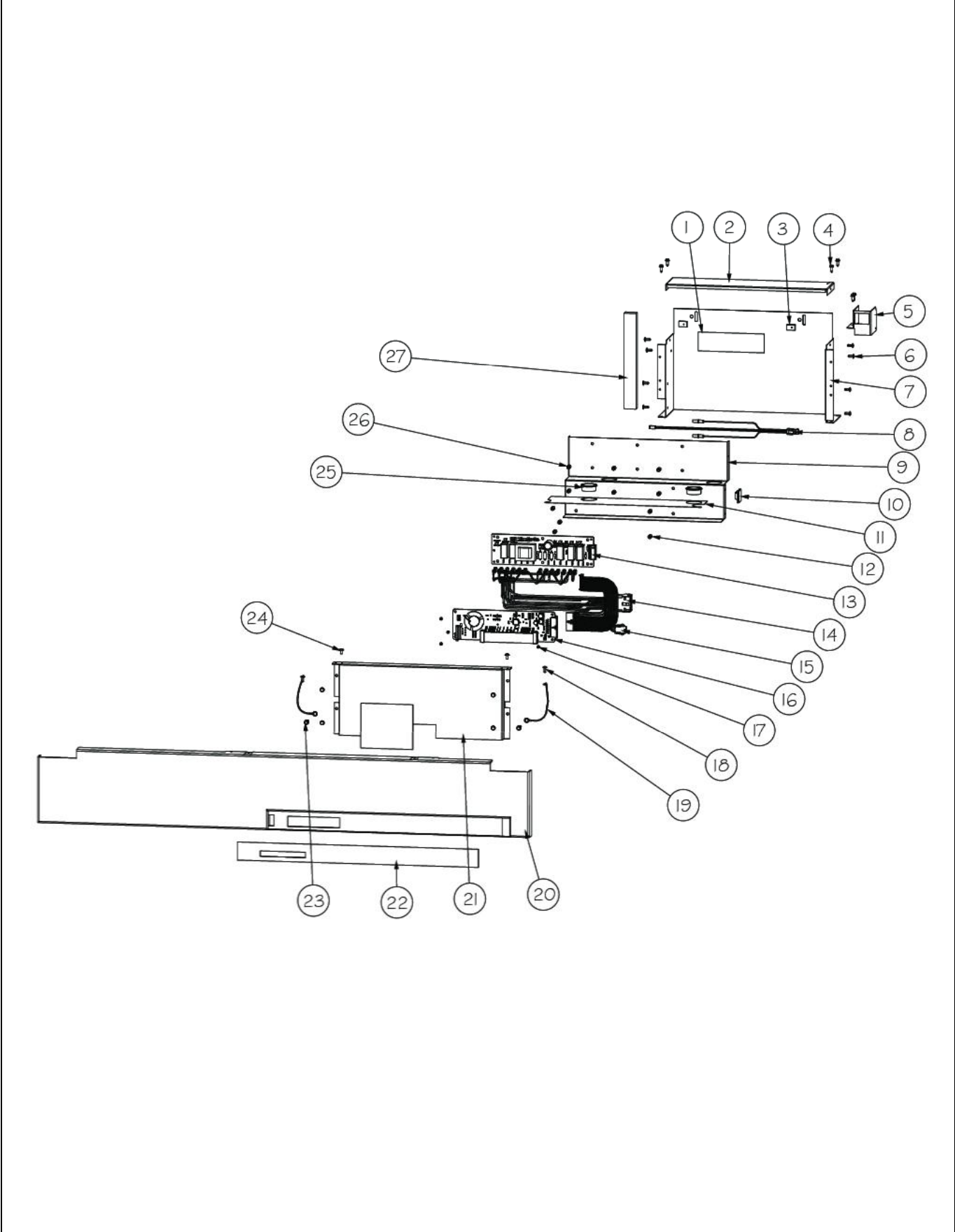


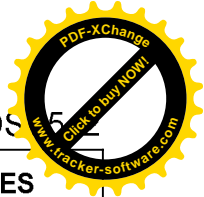
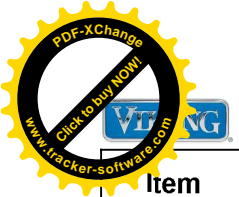


CONTROL ASSEMBLY	3
EXTERIOR ASSEMBLY	4
FREEZER DOOR ASSEMBLY	5
FREEZER INTERIOR ASSEMBLY	4
LOW SIDE ASSEMBLY	5
LOWER UNIT ASSEMBLY	6
MC COVER AND UPPER GRILLE ASSEM	7
REFRIG DOOR ASSEMBLY	8
REFRIG INTERIOR ASSEMBLY	9
SEALED SYSTEM ASSEMBLY	10
Appendix A:Pages Index	A
Appendix B:Parts Index	B



CONTROL ASSEMBLY





Item	Part No.	Name	Qty	Uom	NOTES
1	PF930672	LABEL DC COMPRESSOR	2	EA	
2	K20915000	CONTROL BOX TOP	1	EA	
3	M0288120	NUT-SPEED VM0288120	2	EA	
4	PD020194	SCR, HEX SRTD WSHR HD, #8-18 X 1/2	10	EA	
5	K2098654	Bracket, Power Switch	1	EA	
6	PC040010	POP RIVET (.063/GR -.125) GAMD42-A	8	EA	
7	K2099402	CONTROL BOX	1	EA	
8	PE970609	HARNES CONTROL BOARD	1	EA	
9	K20910060	BRACKET - PC	1	EA	
10	M0104106	CLIP-CORD VM0104106	1	EA	
11	005396-000	FILM,PROTECTIVE	1	EA	
12	M0585506	SUPPORT	5	EA	
13	005319-000	POWER CONTROL BOARD ASM	1	EA	

Comments for Part Num. 005319-000

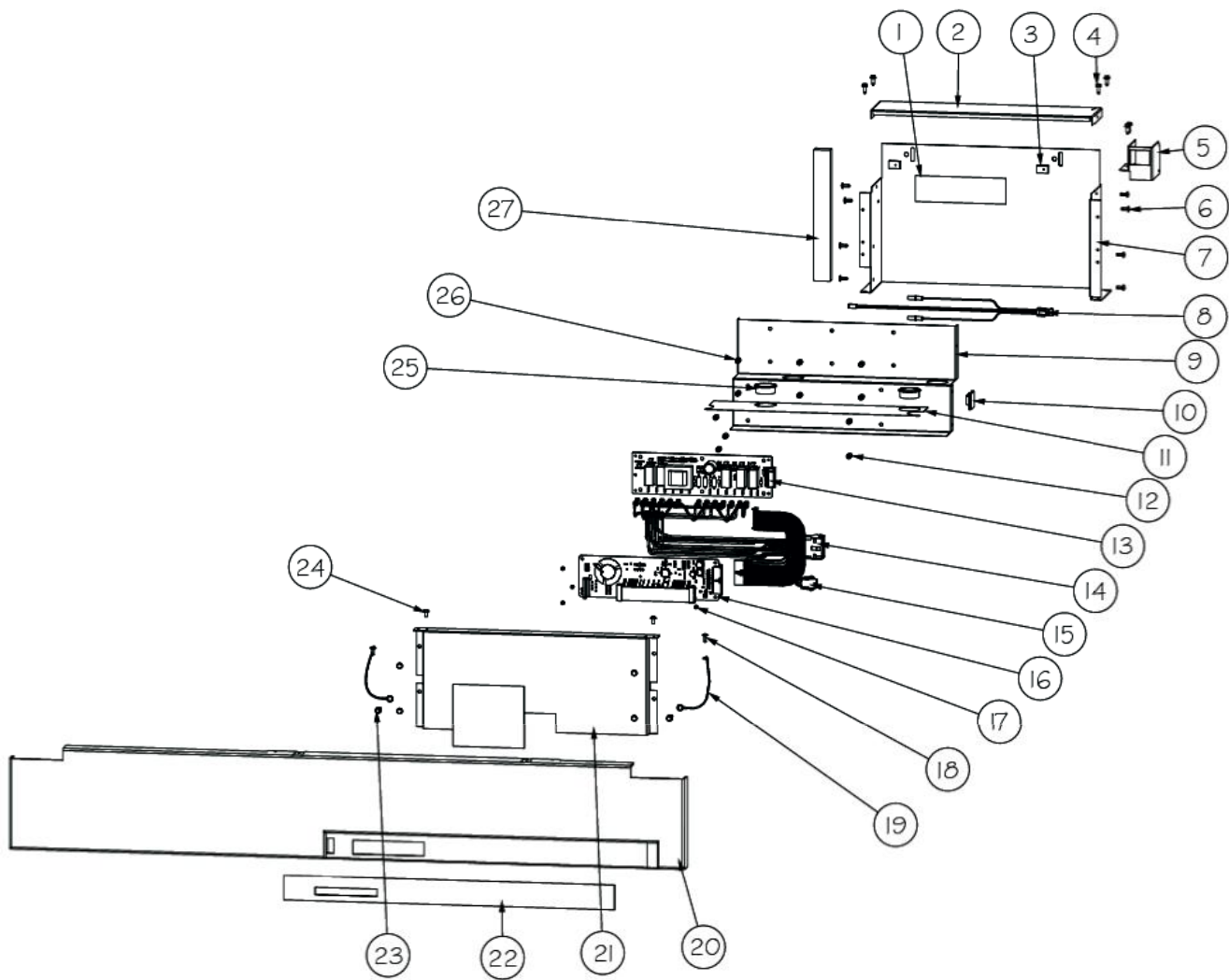
boltz on Apr 12, 2018
See TR-0056-SP Bulletin

14	PE070785	Harness, High Voltage Board	1	EA	
15	PE970464	HARNES LOW VOLT	1	EA	
16	PE070728	BOARD LOW VOLTAGE	1	EA	

Comments for Part Num. PE070728

bradleysapplianceservice@shaw.ca on Apr 27, 2016
COULD ALSO USE: 002670-000 LOW VOLTAGE BOARD KIT ANALOG - INCLUDES WIRE HARNESS

17	PD020013	TYPE "AB" #6 X 3/8 PH PAN HD. SMS	5	EA	
18	PC040010	POP RIVET (.063/GR -.125) GAMD42-A	1	EA	
19	12064001	SUPP-CONT PANEL	2	EA	
20	PK930230	Control Panel	1	EA	
21	K20910061	CONTROL BOX FRONT	1	EA	
22	010492-000	OVERLAY SWITCH SXS 42	1	EA	
23	M0238846	SCREW-SHLDR	2	EA	



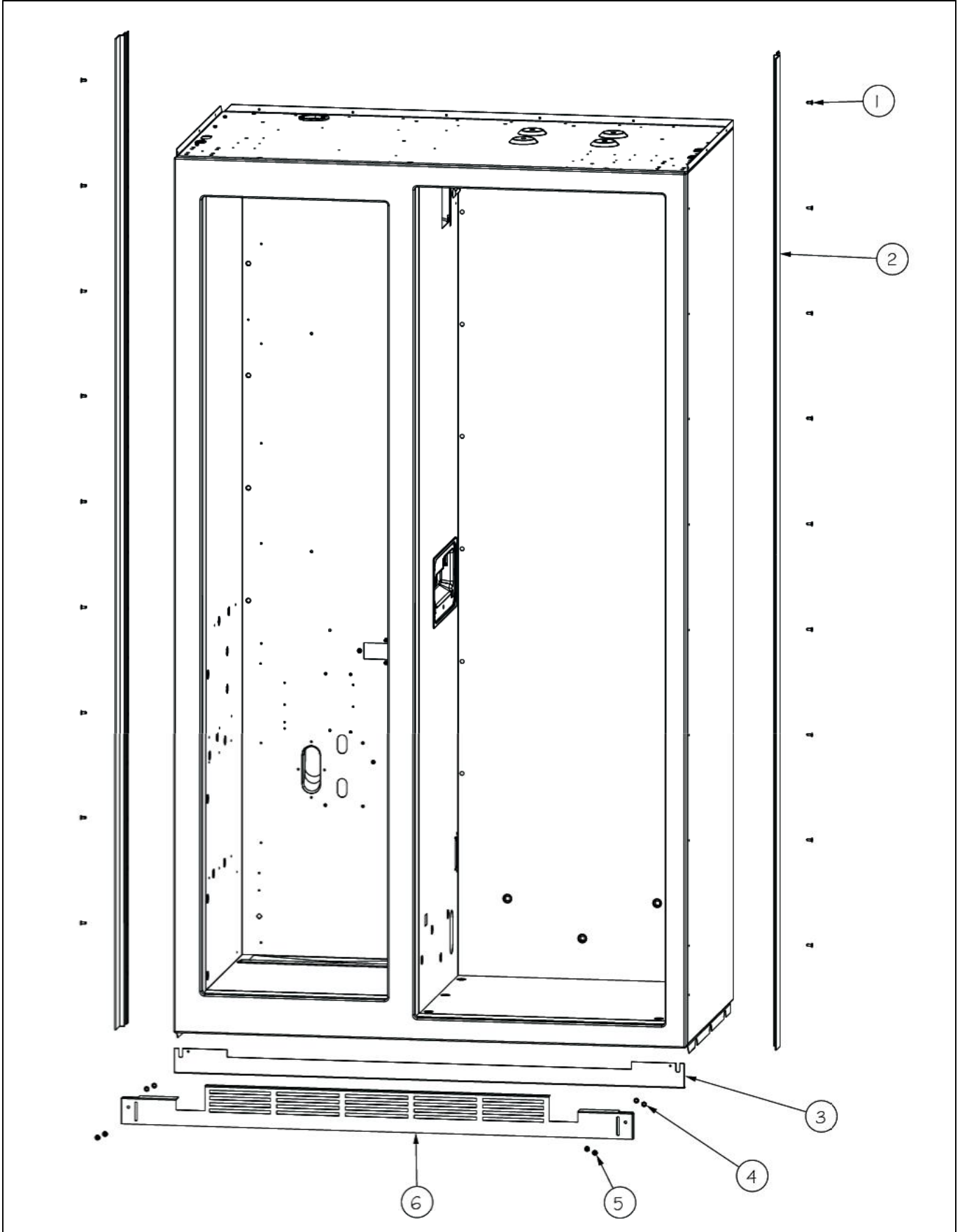


DDS 52



Item	Part No.	Name	Qty	Uom	NOTES
24	M0224128	SCREW-SM	2	EA	
25	A4554817	BUSHING-SNAP VA4554817	2	EA	
26	M0585504	SUPPORT	6	EA	
27	A3030361	GASKET RED	1	EA	

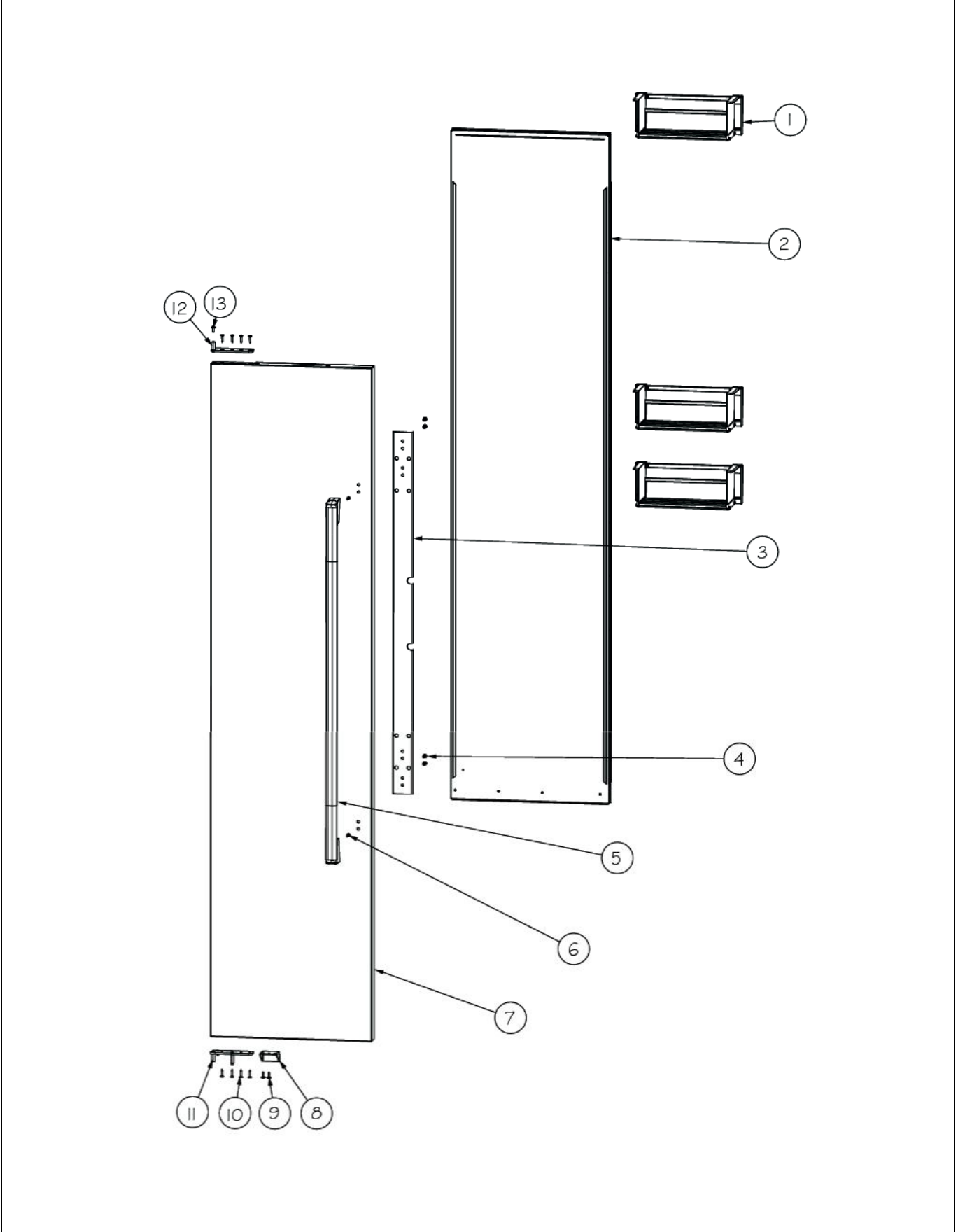
INTERIOR ASSEMBLY





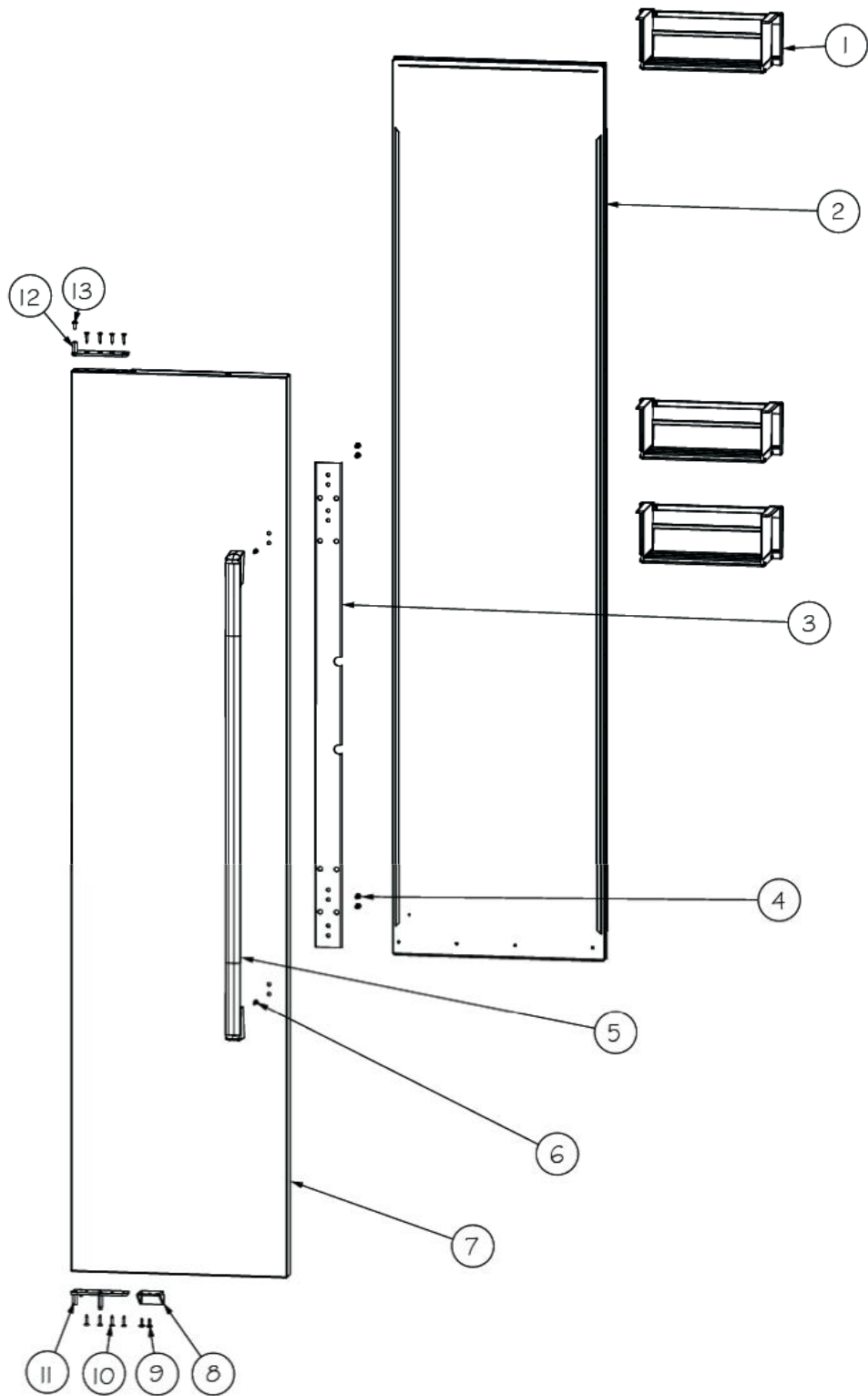
Item	Part No.	Name	Qty	Uom	NOTES
1	M0215318	SCREW-SM	18	EA	
2	PK920066	TRIM, EXTRU, SIDE DES	2	EA	
3	000207-002	KICKPLATE, LWR	1	EA	
4	40370P01	NYLON FLAT WASHER V40370P01	4	EA	
5	M0210443	SCREW-E SM VM0210443	4	EA	
6	C9097789BK	GRILLE TOE VENTED BK	1	EA	

FREEZER DOOR ASSEMBLY



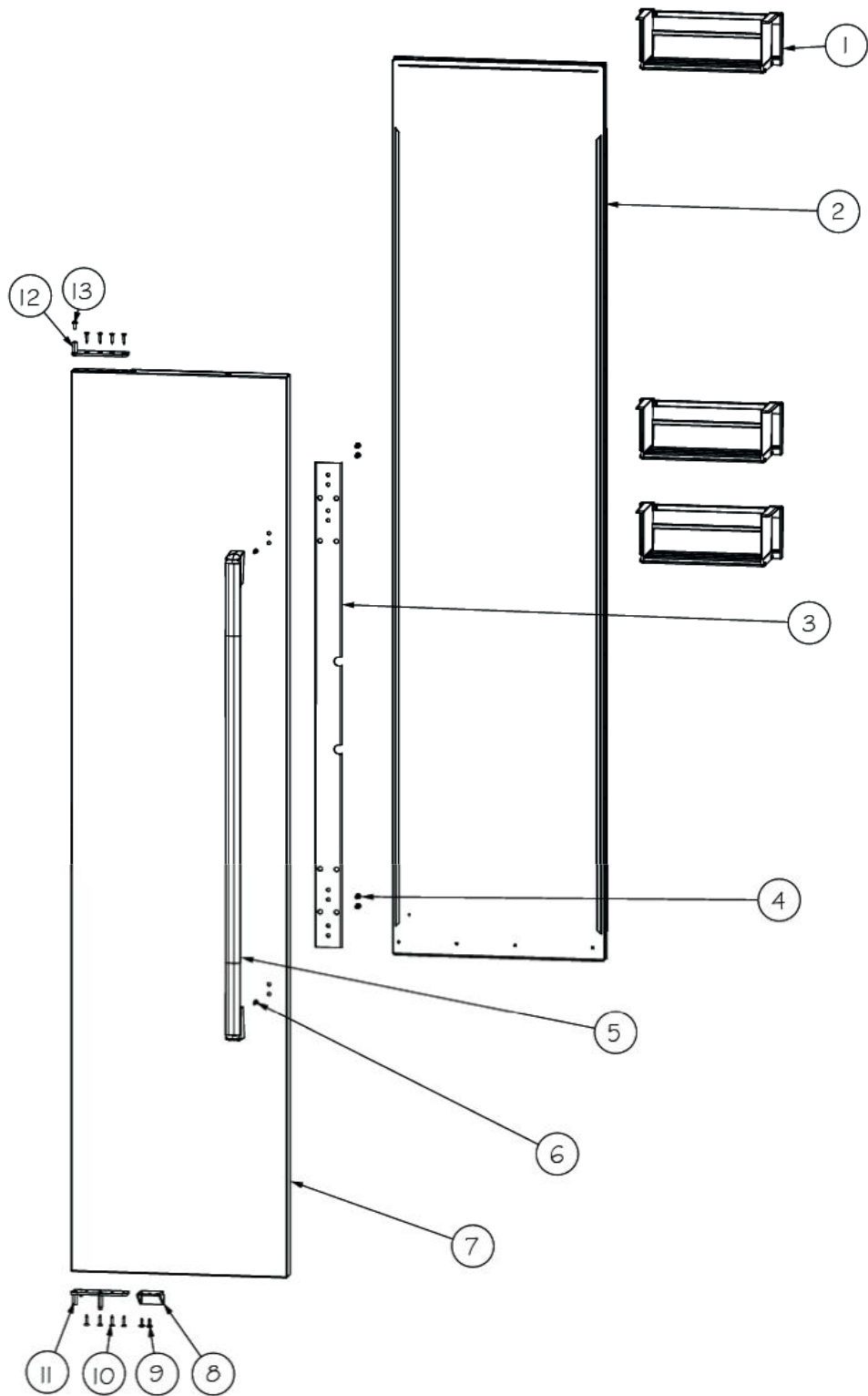


Item	Part No.	Name	Qty	Uom	NOTES
1	036888-000	Door Shelf Assembly	3	EA	
2	PK930129	LINER DOOR SXS 42 FZ	1	EA	
3	013327-000	BRACKET,HDL,DES	1	EA	
4	008974-000	SCREW 10 - 32 X 3/4 SLOT HEX WASHER W/ LOCTITE	4	EA	
5	014237-000	HANDLE,ASM,DES	1	EA	
6	PD020043	#6-32 X .750 PH. CTRSK T(F)- VGSO166	1	EA	
7	013454-000	SKIN, DOOR, SXS 42 DES FZ SS	1	EA	
NI	013473-002	SKIN, DOOR, SXS 42 DES FZ BK	1	EA	Not available online / Call for pricing and availability
NI	013473-003	SKIN, DOOR, SXS 42 DES FZ BT	1	EA	Not available online / Call for pricing and availability
NI	013473-004	SKIN, DOOR, SXS 42 DES FZ SG	1	EA	Not available online / Call for pricing and availability
NI	013473-005	SKIN, DOOR, SXS 42 DES FZ GG	1	EA	Not available online / Call for pricing and availability
NI	013473-007	SKIN, DOOR, SXS 42 DES FZ AL	1	EA	Not available online / Call for pricing and availability
NI	013473-008	SKIN, DOOR, SXS 42 DES FZ BU	1	EA	Not available online / Call for pricing and availability
NI	013473-009	SKIN, DOOR, SXS 42 DES FZ LE	1	EA	Not available online / Call for pricing and availability
NI	013473-010	SKIN, DOOR, SXS 42 DES FZ MJ	1	EA	Not available online / Call for pricing and availability
NI	013473-011	SKIN, DOOR, SXS 42 DES FZ FG	1	EA	Not available online / Call for pricing and availability



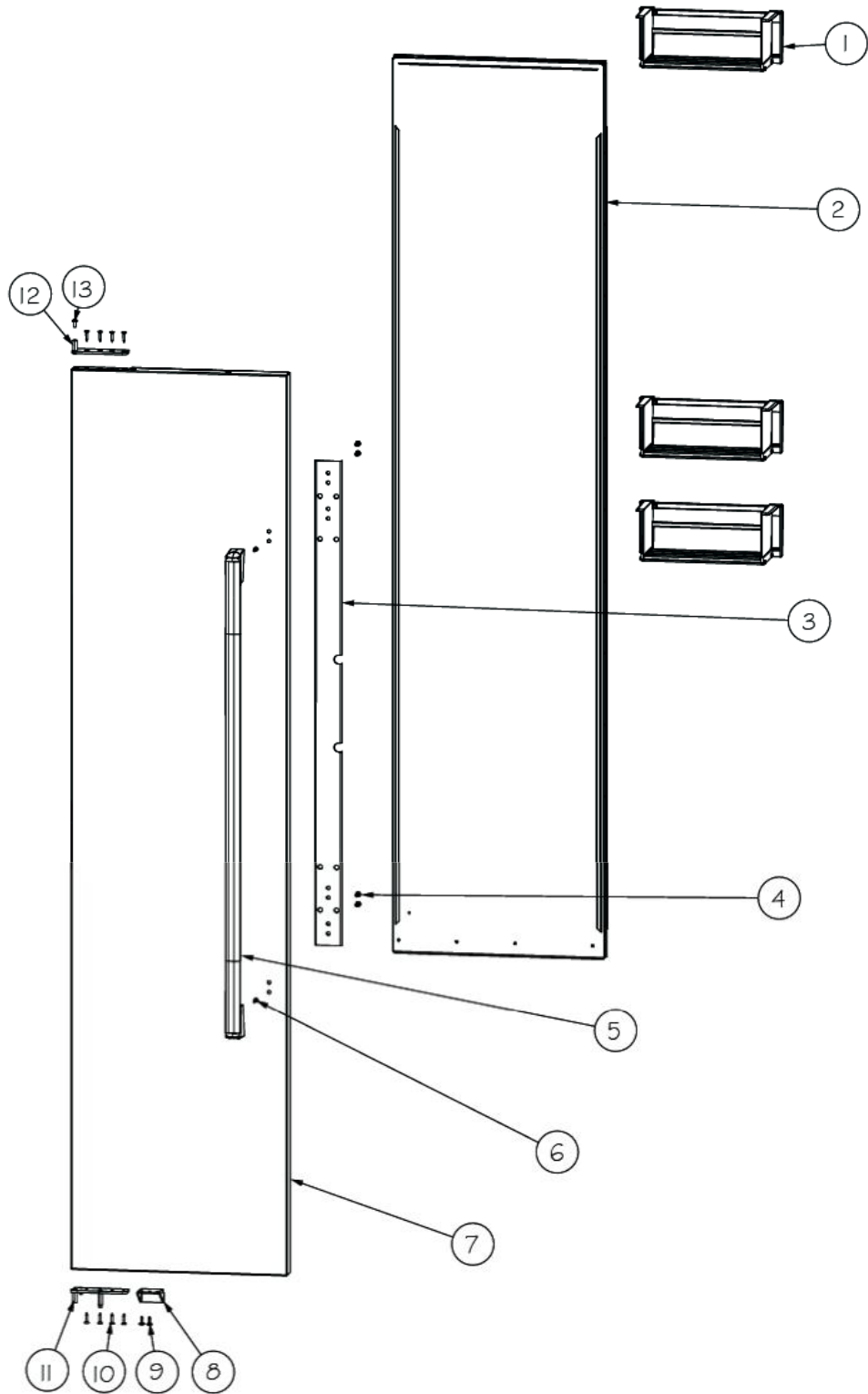


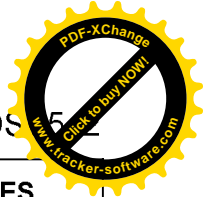
Item	Part No.	Name	Qty	Uom	NOTES
NI	013473-012	SKIN, DOOR, SXS 48D DES FZ VB	1	EA	Not available online / Call for pricing and availability
NI	013473-013	SKIN, DOOR, SXS 42 DES FZ CB	1	EA	Not available online / Call for pricing and availability
NI	013473-014	SKIN, DOOR, SXS 42 DES FZ EP	1	EA	Not available online / Call for pricing and availability
NI	013473-015	SKIN, DOOR, SXS 42 DES FZ PL	1	EA	Not available online / Call for pricing and availability
NI	013473-016	SKIN, DOOR, SXS 42 DES FZ CH	1	EA	Not available online / Call for pricing and availability
NI	013473-017	SKIN, DOOR, SXS 42 DES FZ TP	1	EA	Not available online / Call for pricing and availability
NI	013473-018	SKIN, DOOR, SXS 42 DES FZ CW	1	EA	Not available online / Call for pricing and availability
NI	013473-019	SKIN, DOOR, SXS 42 DES FZ OG	1	EA	Not available online / Call for pricing and availability
NI	013473-020	SKIN, DOOR, SXS 42 DES FZ GM	1	EA	Not available online / Call for pricing and availability
NI	013473-021	SKIN, DOOR, SXS 42 DES FZ SA	1	EA	Not available online / Call for pricing and availability
NI	013473-022	SKIN, DOOR, SXS 42 DES FZ SE	1	EA	Not available online / Call for pricing and availability
NI	013473-023	SKIN, DOOR, SXS 42 DES FZ IB	1	EA	Not available online / Call for pricing and availability
NI	013473-024	SKIN, DOOR, SXS 42 DES FZ AR	1	EA	Not available online / Call for pricing and availability



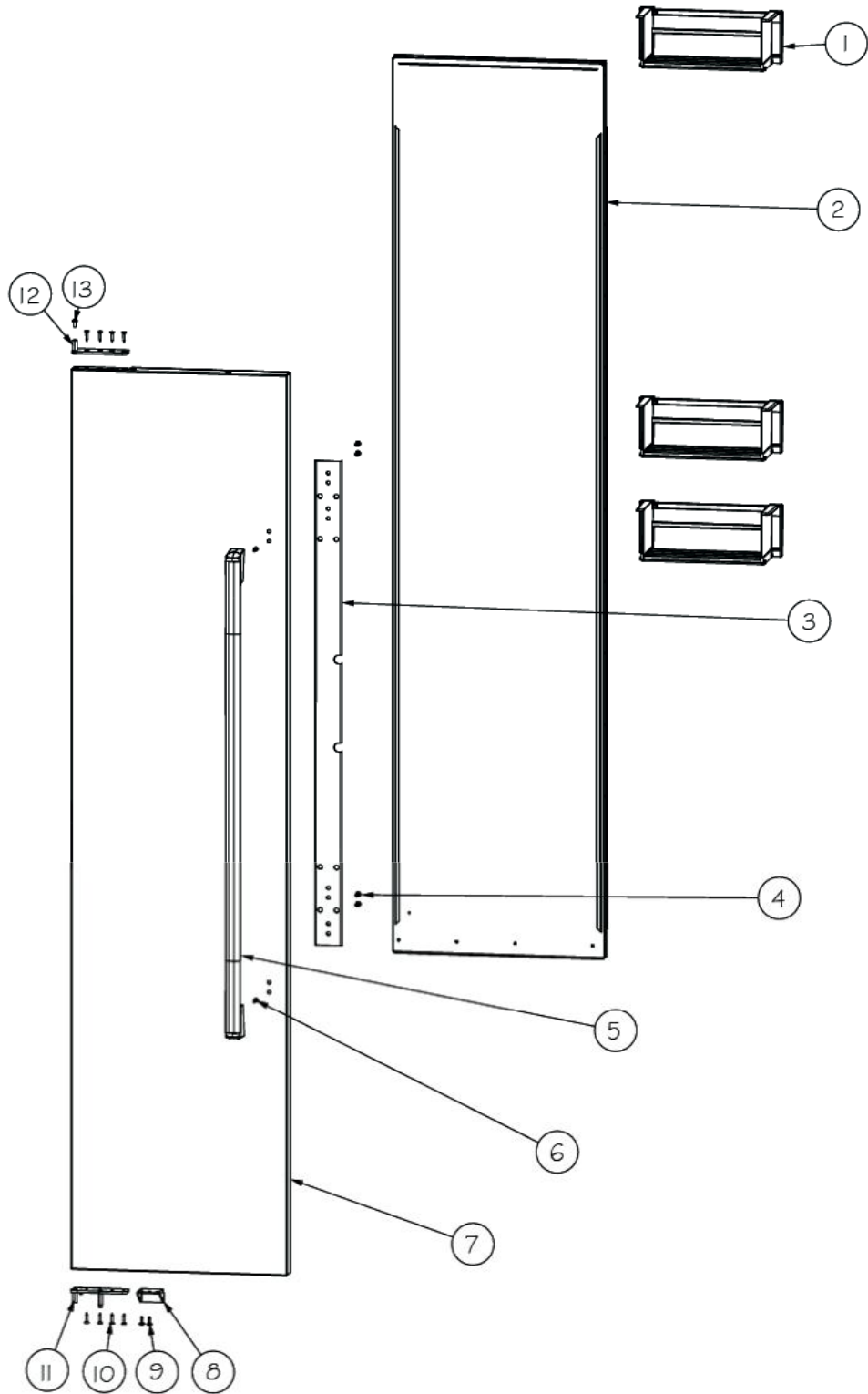


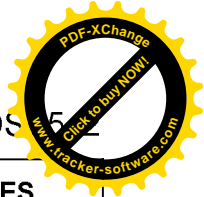
Item	Part No.	Name	Qty	Uom	NOTES
NI	013473-025	SKIN, DOOR, SXS 42 DES FZ RR	1	EA	Not available online / Call for pricing and availability
NI	013473-026	SKIN, DOOR, SXS 42 DES FZ PM	1	EA	Not available online / Call for pricing and availability
NI	013473-027	SKIN, DOOR, SXS 42 DES FZ MS	1	EA	Not available online / Call for pricing and availability
8	PD050019	STRIKER DOOR SWITCH	1	EA	
9	M0210458	SCR 8-18 X 5/8 WAFER PH SMS	2	EA	
10	PD920174	10X7/8 PHILLIPS SMA TRI LOBE SA	8	EA	
11	016182-000	PIVOT PL ASM LH LW PRO/DES	1	EA	
12	PC020279	PIVOT PL ASM LH UP PRO/DES	1	EA	
13	PD020234	SCREW THP 10-32 X .500 SS BO	1	EA	
NI	011432-000	DOOR, SKIN, ASM, SXS 42 DES FZ SS	1	EA	Not available online / Call for pricing and availability
NI	011159-102	DOOR,SKIN,ASM,SXS 42 DES FZ BK	1	EA	Not available online / Call for pricing and availability
NI	011159-103	DOOR,SKIN,ASM,SXS 42 DES FZ BT	1	EA	Not available online / Call for pricing and availability
NI	011159-104	DOOR,SKIN,ASM,SXS 42 DES FZ SG	1	EA	Not available online / Call for pricing and availability
NI	011159-105	DOOR,SKIN,ASM,SXS 42 DES FZ GG	1	EA	Not available online / Call for pricing and availability
NI	011159-107	DOOR,SKIN,ASM,SXS 42 DES FZ AL	1	EA	Not available online / Call for pricing and availability
NI	011159-108	DOOR,SKIN,ASM,SXS 42 DES FZ BU	1	EA	Not available online / Call for pricing and availability





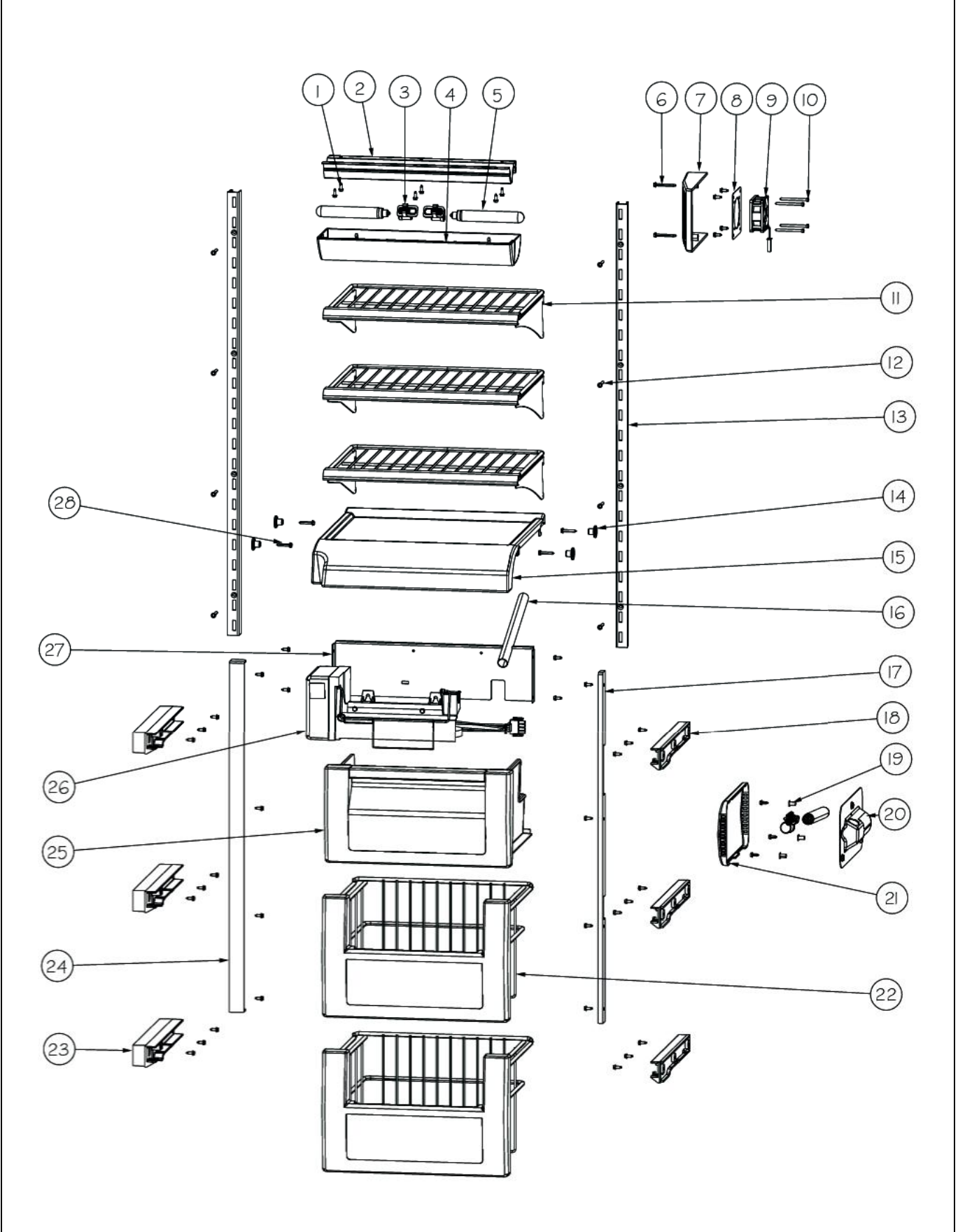
Item	Part No.	Name	Qty	Uom	NOTES
NI	011159-109	DOOR,SKIN,ASM,SXS 42 DES FZ LE	1	EA	Not available online / Call for pricing and availability
NI	011159-110	DOOR,SKIN,ASM,SXS 42 DES FZ MJ	1	EA	Not available online / Call for pricing and availability
NI	011159-111	DOOR,SKIN,ASM,SXS 42 DES FZ FG	1	EA	Not available online / Call for pricing and availability
NI	011159-112	DOOR,SKIN,ASM,SXS 42 DES FZ VB	1	EA	Not available online / Call for pricing and availability
NI	011159-113	DOOR,SKIN,ASM,SXS 42 DES FZ CB	1	EA	Not available online / Call for pricing and availability
NI	011159-114	DOOR,SKIN,ASM,SXS 42 DES FZ EP	1	EA	Not available online / Call for pricing and availability
NI	011159-115	DOOR,SKIN,ASM,SXS 42 DES FZ PL	1	EA	Not available online / Call for pricing and availability
NI	011159-116	DOOR,SKIN,ASM,SXS 42 DES FZ CH	1	EA	Not available online / Call for pricing and availability
NI	011159-117	DOOR,SKIN,ASM,SXS 42 DES FZ TP	1	EA	Not available online / Call for pricing and availability
NI	011159-118	DOOR,SKIN,ASM,SXS 42 DES FZ CW	1	EA	Not available online / Call for pricing and availability
NI	011159-119	DOOR,SKIN,ASM,SXS 42 DES FZ OG	1	EA	Not available online / Call for pricing and availability
NI	011159-120	DOOR,SKIN,ASM,SXS 42 DES FZ GM	1	EA	Not available online / Call for pricing and availability
NI	011159-121	DOOR,SKIN,ASM,SXS 42 DES FZ SA	1	EA	Not available online / Call for pricing and availability

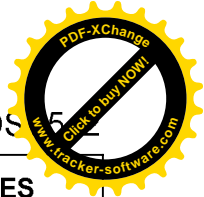




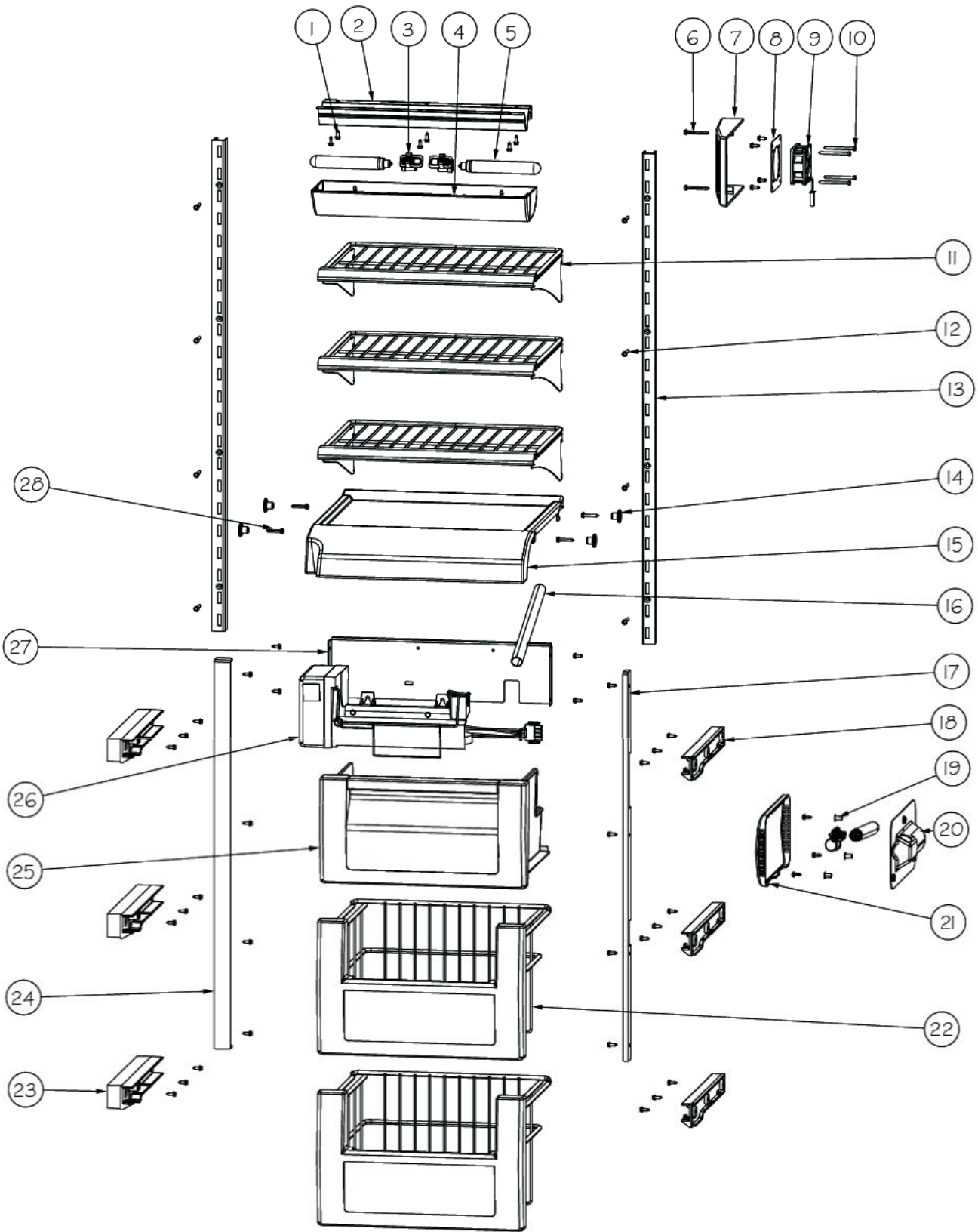
Item	Part No.	Name	Qty	Uom	NOTES
NI	011159-122	DOOR,SKIN,ASM,SXS 42 DES FZ SE	1	EA	Not available online / Call for pricing and availability
NI	011159-123	DOOR,SKIN,ASM,SXS 42 DES FZ IB	1	EA	Not available online / Call for pricing and availability
NI	011159-124	DOOR,SKIN,ASM,SXS 42 DES FZ AR	1	EA	Not available online / Call for pricing and availability
NI	011159-125	DOOR,SKIN,ASM,SXS 42 DES FZ RR	1	EA	Not available online / Call for pricing and availability
NI	011159-126	DOOR,SKIN,ASM,SXS 42 DES FZ PM	1	EA	Not available online / Call for pricing and availability
NI	011159-127	DOOR,SKIN,ASM,SXS 42 DES FZ MS	1	EA	Not available online / Call for pricing and availability

FREEZER INTERIOR ASSEMBLY





Item	Part No.	Name	Qty	Uom	NOTES
1	PD020194	SCR, HEX SRTD WSHR HD, #8-18 X 1/2	43	EA	
2	L2099475	BRACKET LIGHT SXS FZ	1	EA	
3	PE950125	LIGHT SOCKET	3	EA	
4	020117-000	COVER LIGHT ASM SXS 42 FZ	1	EA	
5	004528-000	LAMP, 40 WATT CLEAR LIGHT	3	EA	
6	PD020188	SCR 8-18 BT HXWS 1 1/2	2	EA	
7	PK930086	COVER FAN SXS 48 FZ	1	EA	
8	007302-000	BRACKET,FAN	1	EA	
9	004551-000	AXIAL FAN	1	EA	
Comments for Part Num. 004551-000					
gboltz@VikingRange.com on Jul 21, 2016					
View service bulletin TR-0052-SP before ordering fan, if applicable order kit instead of fan					
10	M0221913	SCREW-SM	4	EA	
11	PM910411	SHELF WIRE AF 36	3	EA	
12	M0238535	SCREW-SM	8	EA	
13	12231701	LADDER-FZ L/R SIDE	2	EA	
14	12258501	SUPPORT-SHELF	4	EA	
15	PK930079	SHELF COVER SXS 48 FZ	1	EA	
16	A3127415	EXT-FILL TUBE	1	EA	
17	12304301	CLOSEOUT-FZ SIDE #	1	EA	Not available online / Call for pricing and availability
18	PK930074	GLIDE SXS 48 FZ R	3	EA	
19	M0580007	GROMMET-SCREW	3	EA	
20	10270203	HOUSING-LIGHT V10270203	1	EA	
21	PK930346	COVER LIGHT	1	EA	
22	PM910190	BASKET ASM FZ	2	EA	
23	PK930075	GLIDE SXS 48 FZ L	3	EA	
24	PK930073	CLOSEOUT SIDE SXS 48 FZ L	1	EA	
25	PK930076	ICE PAN ASM SXS 48	1	EA	
26	043156-000	ICEMAKER ASSEMBLY	1	EA	
27	C2097183	SUPPORT IM ND SXS 48	1	EA	



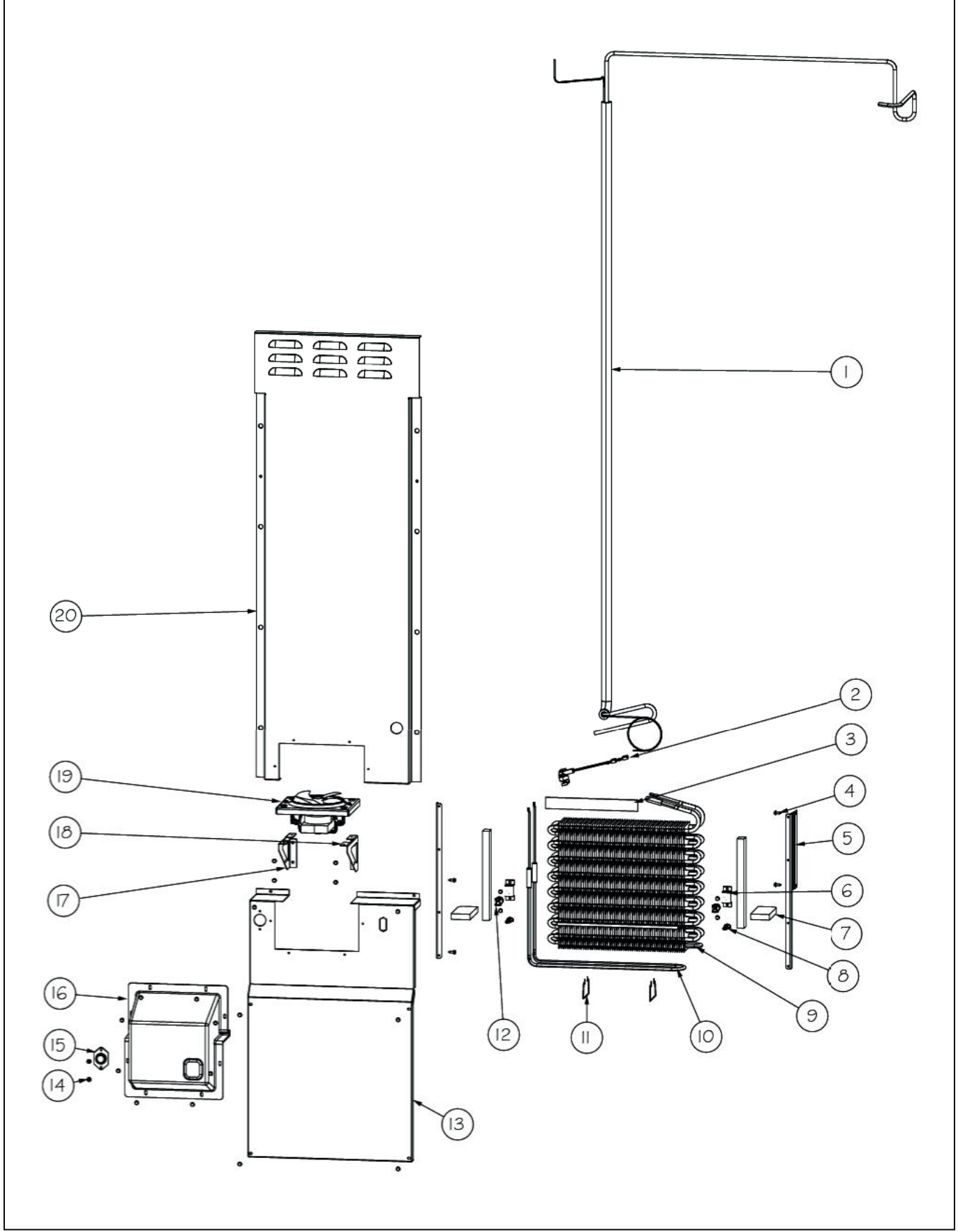


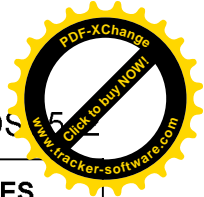
DDS 52



Item	Part No.	Name	Qty	Uom	NOTES
28	M0211021	SCREW-SM	4	EA	

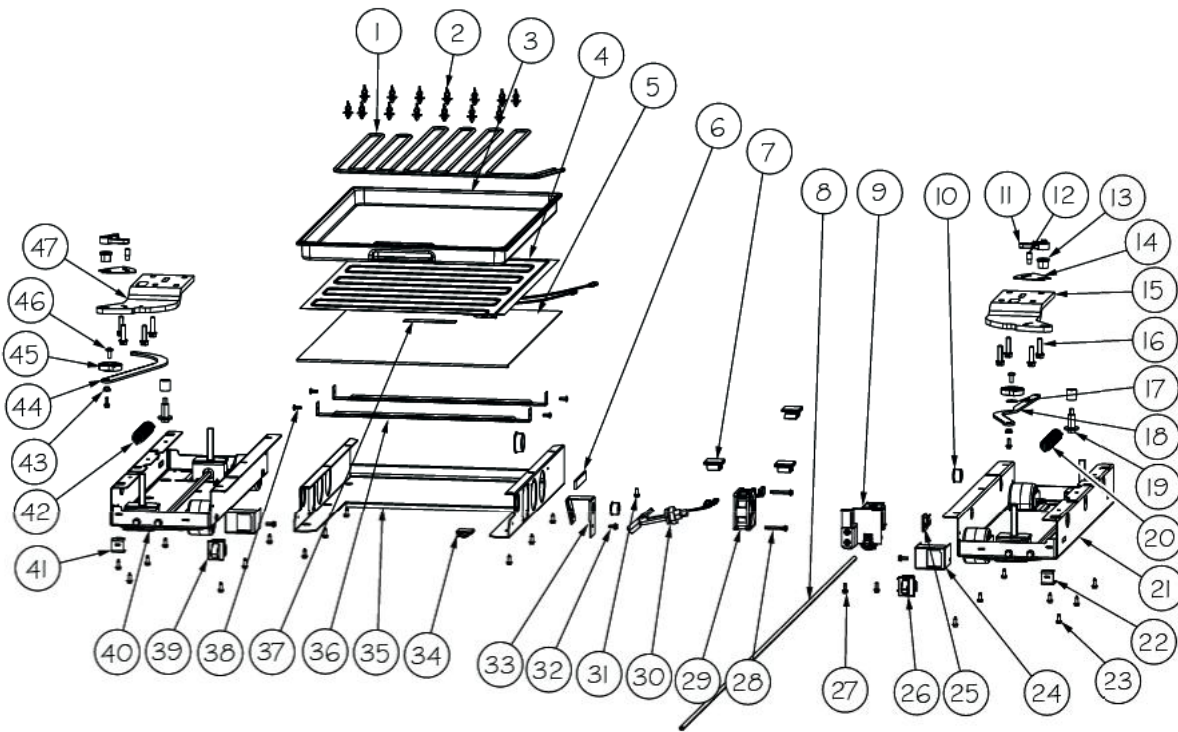
REAR SIDE ASSEMBLY





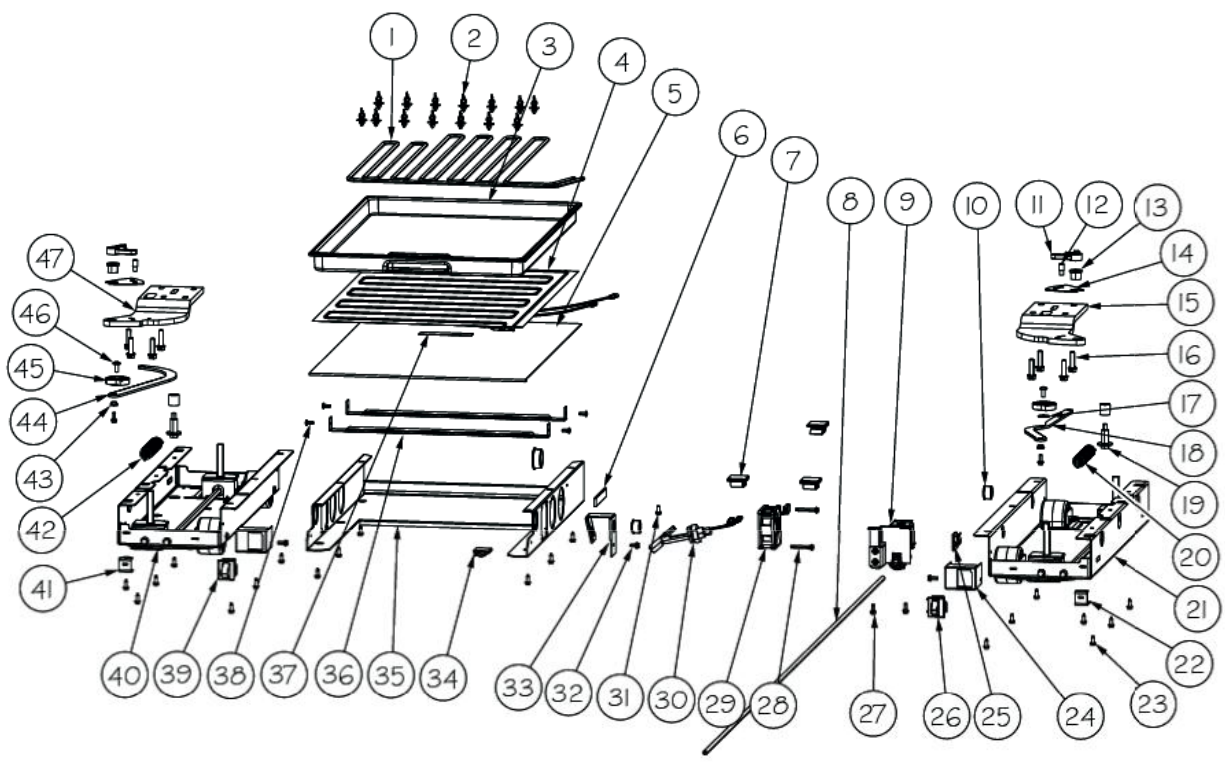
Item	Part No.	Name	Qty	Uom	NOTES
1	053308-000	HEAT EXCHANGER ASM SXS 42	1	EA	
2	058966-000	THERMOSTAT, SNAP ACTION, 55 OPEN 20 CLOSE	1	EA	
3	A3189370	GASKET-FOAM VA3189370	3	EA	
4	PD020194	SCR, HEX SRTD WSHR HD, #8-18 X 1/2	23	EA	
5	K2096461	BRKT-EVAP COVER 12234801	2	EA	
6	K2096456	BRKT-EVAP CLIP 12215101	2	EA	Not available online / Call for pricing and availability
7	10629001	BLOCK-R AIR COIL RED	2	EA	
8	10527401	CLIP-EVAP	2	EA	
9	PM910206	EVAPORATOR SXS 48	1	EA	
10	PJ910031	HEATER EVAP SXS	1	EA	
11	10428101	CLIP-EVAP HTR V10428101	2	EA	
12	10623003	CLIP-EVAP	1	EA	
13	L2097182	COVER EVAP LOWER SXS 48	1	EA	
14	M0211014	SCREW-SM	2	EA	Not available online / Call for pricing and availability
15	C8983701	THERMISTOR	1	EA	
16	PK930150	COVER CTR EVAP	1	EA	
17	K2096458	BRKT-L-EVAP-FAN 12223102	1	EA	
18	K2096457	BRKT-R-EVAP FAN 12223101	1	EA	
19	G5098660	FAN EVAP ASM PANASONIC	1	EA	
20	L2097181	COVER EVAP UPPER SXS 48	1	EA	

COVER UNIT ASSEMBLY



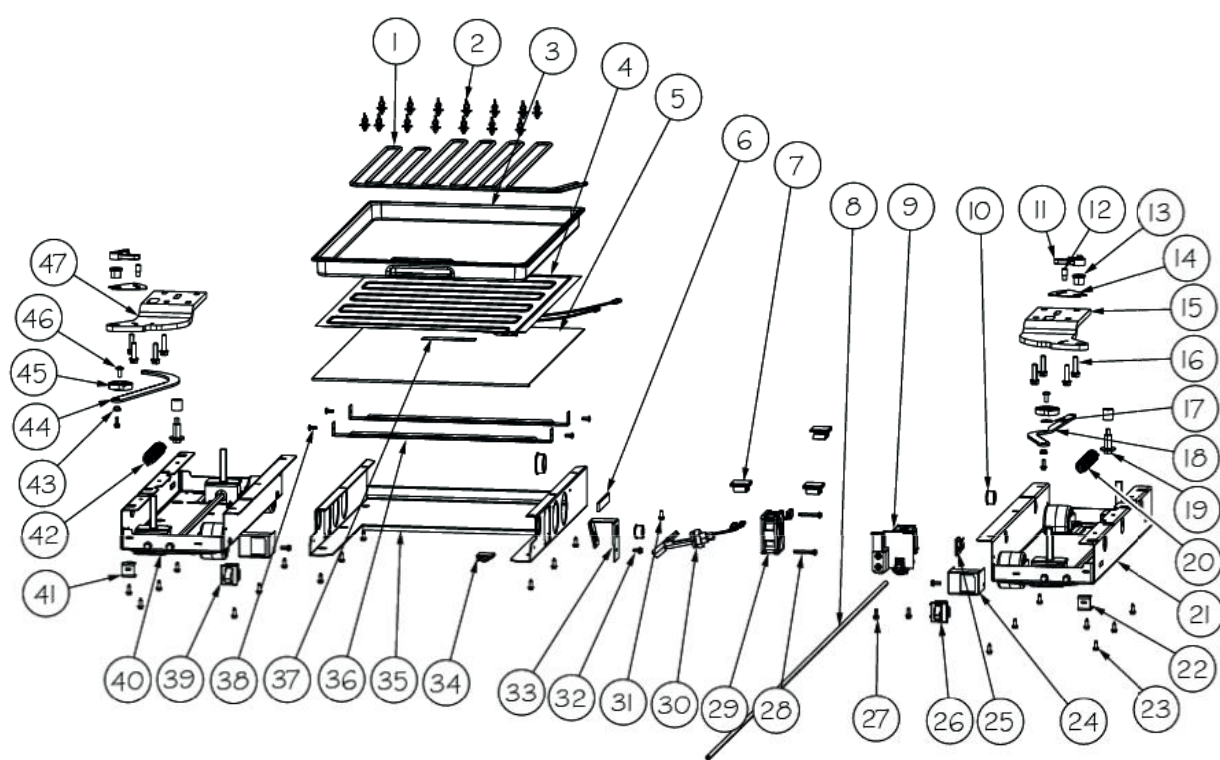


Item	Part No.	Name	Qty	Uom	NOTES
1	F20915693	SERPENTINE CONDENSER DRAIN ALL SXS'S	1	EA	
2	PD030146	STAND OFF LOCK CLIP	14	EA	
3	PK930348	PAN DRAIN	1	EA	
4	G50911853	TRAY PAN HEATER	1	EA	
5	L20914124WH	TRAY PAN HEATER	1	EA	
6	PF930654	LABEL CONDENSATE FAN SERVICE	1	EA	
7	M0104102	CLIP-CORD RED	3	EA	
8	PB020304	PLASTIC TUBING-IM WATERLINE	1	EA	
9	G32913789	BRKT & VALVE H2O SNGL ASM	1	EA	
10	A4554806	BUSHING-SNAP VA4554806	2	EA	
11	PD940091	BUSHING - DOOR STOP	2	EA	
12	PC920145	PIN - DOOR STOP	2	EA	
13	PD940090	BUSHING - WC DOOR LEVEL	2	EA	
14	PC920144	PLATE - WC DOOR SHIM	2	EA	
15	PC020288	HINGE PLATE LR	1	EA	
16	000570-000	FASTENER, BOLT, 1/4-20 IHXWS 1" S ZN SER	8	EA	
17	003867-000	SPRING EXTENSION	1	EA	
18	PC920166	HINGE ASM COMPLETE RR	1	EA	
19	M0221523	SCREW - SHLDR	2	EA	
20	060890-000	LEVELER MODULE R	1	EA	
21	K2098044	BRKT GRILLE SUPPORT	1	EA	
22	PD020194	SCR, HEX SRTD WSHR HD, #8-18 X 1/2	20	EA	
23	014334-000	BRACKET,LT,SWITCH	2	EA	
24	M0104106	CLIP-CORD VM0104106	2	EA	
25	PE950147	SWITCH SPST NC BLACK	1	EA	



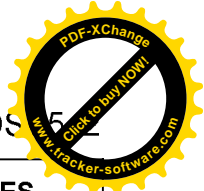


Item	Part No.	Name	Qty	Uom	NOTES
Comments for Part Num. PE950147					
bradleysapplianceservice@shaw.ca on May 1, 2017					
CAUTION WHEN ORDERING DOOR SWITCH. PARTS LISTINGS COULD BE INCORRECT.					
THERE IS TWO VERSIONS OF THIS DOOR SWITCH THAT NEEDS TO BE VISUALLY CHECKED ON UNIT TO DETERMINE CORRECT PART.					
PE950146 DOOR SWITCH 3 WIRE SPDT BLACK					
PE950147 DOOR SWITCH 2 WIRE SPST BLACK					
26	M0220417	SCREW-TC	8	EA	
27	PD020274	SCR SLTD HEX WSHR HD 8X1.250 BT	2	EA	
28	004551-000	AXIAL FAN	1	EA	
Comments for Part Num. 004551-000					
gboltz@VikingRange.com on Jul 21, 2016					
View service bulletin TR-0052-SP before ordering fan, if applicable order kit instead of fan					
29	PE050248	FLOAT SWITCH HORIZONTAL	1	EA	
30	PD020010	10 X 3/8 GREEN GROUNDING SCREW	1	EA	
31	M0253916	SCR 8-32 SHXW 3/8 TRI-LOBE	1	EA	
32	B20915627	BRACKET HORIZ FLOAT SWITCH	1	EA	
33	A4554817	BUSHING-SNAP VA4554817	1	EA	
34	K20915952	SHIELD BOTTOM DRAIN	1	EA	
35	K20911831	BRACKET CONDENSATE SUPPORT	2	EA	
36	PF031267	LABEL HEATER PAN	1	EA	
37	PC040010	POP RIVET (.063/GR -.125) GAMD42-A	4	EA	
38	PE950146	SPST SWITCH	1	EA	
39	060891-000	LEVELER MODULE L	1	EA	
40	K2098096	BRKT GRILLE SUPPORT	1	EA	
41	PC910015	SPRING EXTENSION	1	EA	
42	PD940094	BUSHING	2	EA	
43	PC920149	BAR-WC BOT HINGE LH	1	EA	
44	044370-000	CAM DOOR ADJUSTMENT	2	EA	



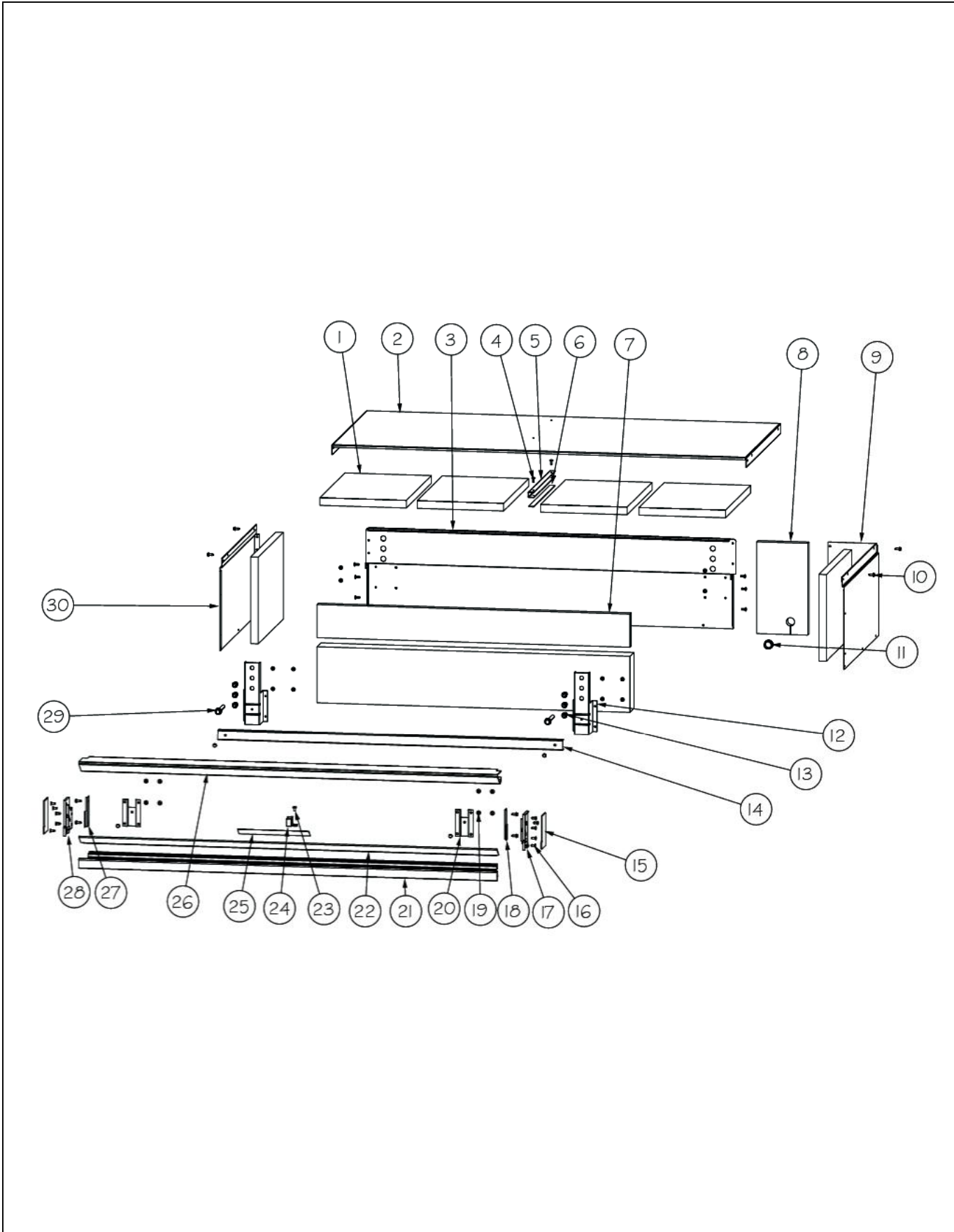


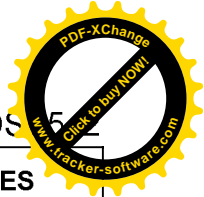
DDS 52



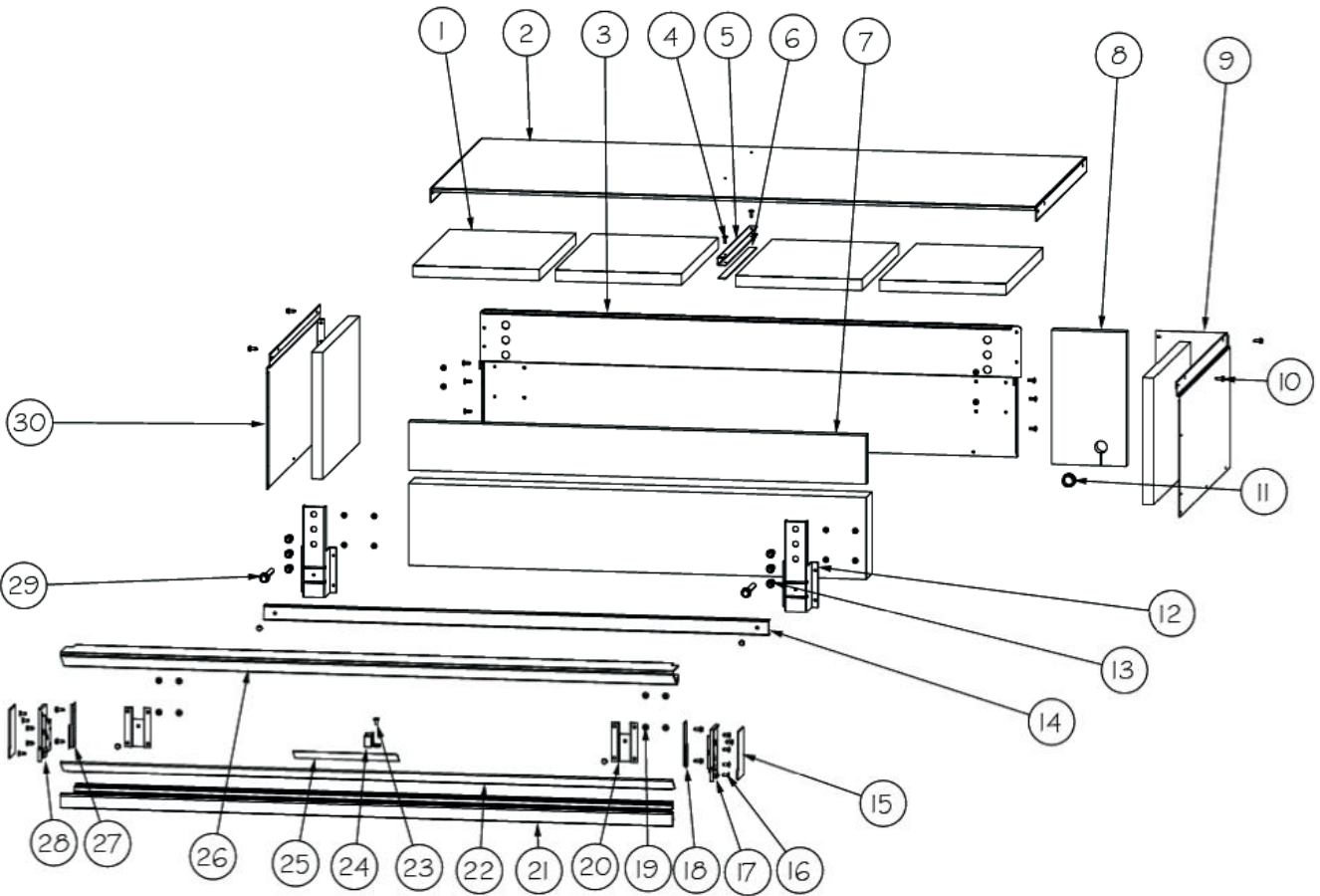
Item	Part No.	Name	Qty	Uom	NOTES
45	PD020234	SCREW THP 10-32 X .500 SS BO	2	EA	
46	PC020289	HINGE PLATE LL	1	EA	
47	PD940107	ROUND SPRING SPACER	2	EA	

COVER AND UPPER GRILLE ASSEM



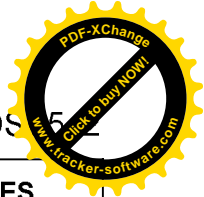


Item	Part No.	Name	Qty	Uom	NOTES
1	PB070355	INSULATION MC COVER	6	EA	
2	K2099458	MC TOP SXS 42	1	EA	
3	K2099461	MC BACK 42	1	EA	
4	PC040010	POP RIVET (.063/GR -.125) GAMD42-A	19	EA	
5	K2099455	SUPPORT MC Z	1	EA	
6	G50915900	MC COVER BI 42	1	EA	Not available online / Call for pricing and availability
7	PB070360	INSULATION MC COVER	2	EA	
8	PB970171	MC INSULATION - BACK SIDE	1	EA	Not available online / Call for pricing and availability
9	K2099459	MC SIDE (RIGHT)	1	EA	
10	PD020194	SCR, HEX SRTD WSHR HD, #8- 18 X 1/2	12	EA	
11	A4554806	BUSHING-SNAP VA4554806	1	EA	
12	K20915675	BRACKET PSM	2	EA	
13	PD040157	BEARING SLEEVE	4	EA	
14	K20915903	CROSSMEMBER PSM 42	1	EA	Not available online / Call for pricing and availability
15	PM910072	COVER - END CAP	2	EA	
16	M0215318	SCREW-SM	10	EA	
17	PM910348	ENP CAP GRILLE R	1	EA	
18	K2099470	BRACKET GRILLE SUPPORT R	1	EA	
19	M0224128	SCREW-SM	8	EA	
20	PK050004	BRACKET GRILLE 5 SERIES	2	EA	
21	016193-000	GRILLE LOWER SXS 42 DES	1	EA	
22	PM910305	GRILLE CENTER SXS 42 DES	1	EA	
23	M0230028	SCREW-TC	1	EA	
24	PM910084	SUPPORT GRILLE 12201201	1	EA	
25	PF930523	GRILL BLADE LABEL (REFRIGERATOR)	1	EA	
26	016196-000	GRILLE UPPER SXS 42 DES	1	EA	
27	K2099471	BRACKET GRILLE SUPPORT L	1	EA	



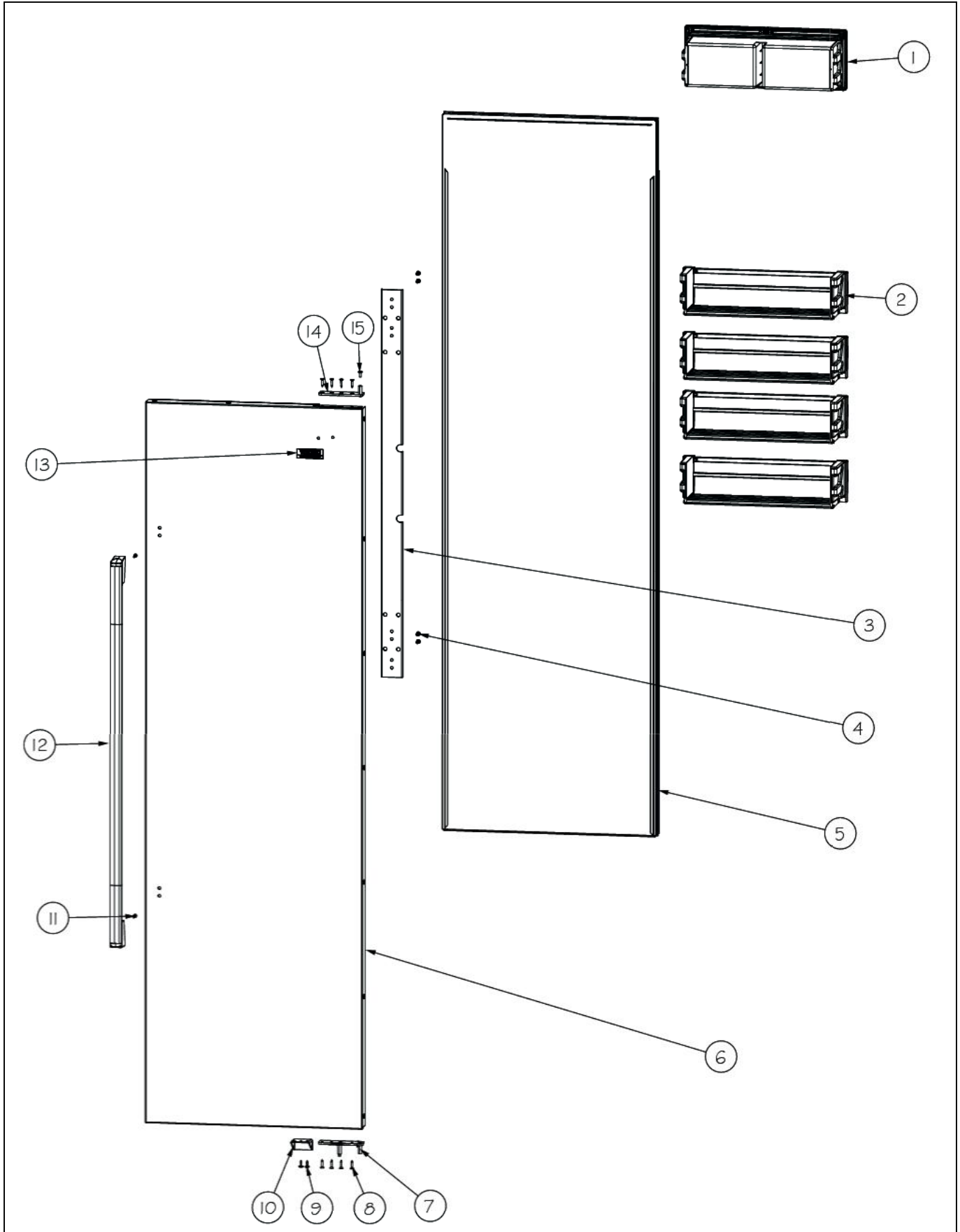


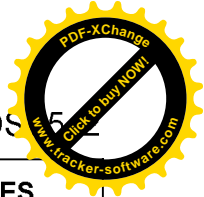
DDS 5



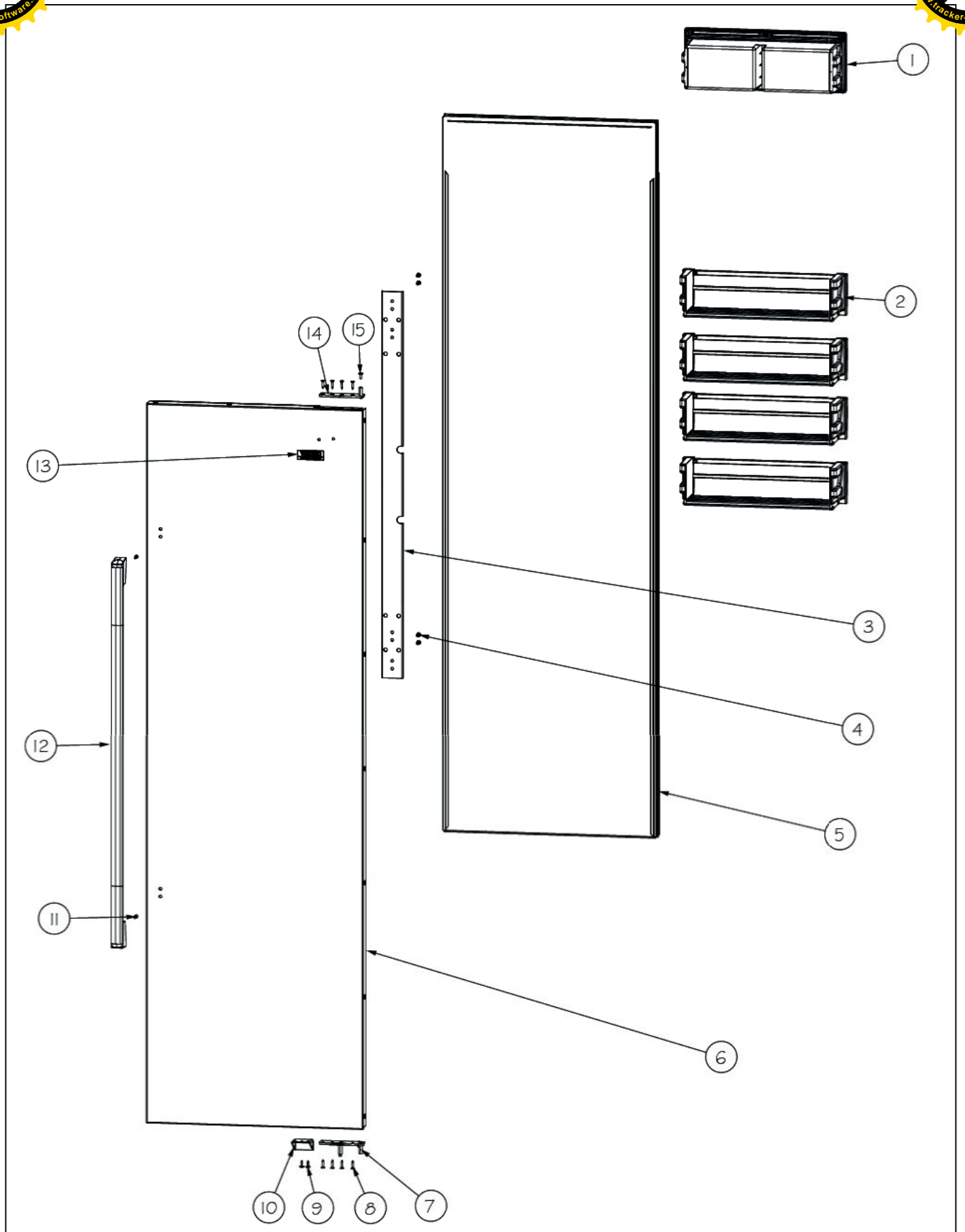
Item	Part No.	Name	Qty	Uom	NOTES
28	PM910349	END CAP GRILLE L	1	EA	
29	PD020233	SCR LAG 5/16-9 GX 5/16X7/16 WAF IHXW 3 S ZN	1	EA	
30	K2099460	MC SIDE L	1	EA	
NI	014655-000	GRILLE, ASM, 42 SXS, DES	1	EA	

FRIG DOOR ASSEMBLY





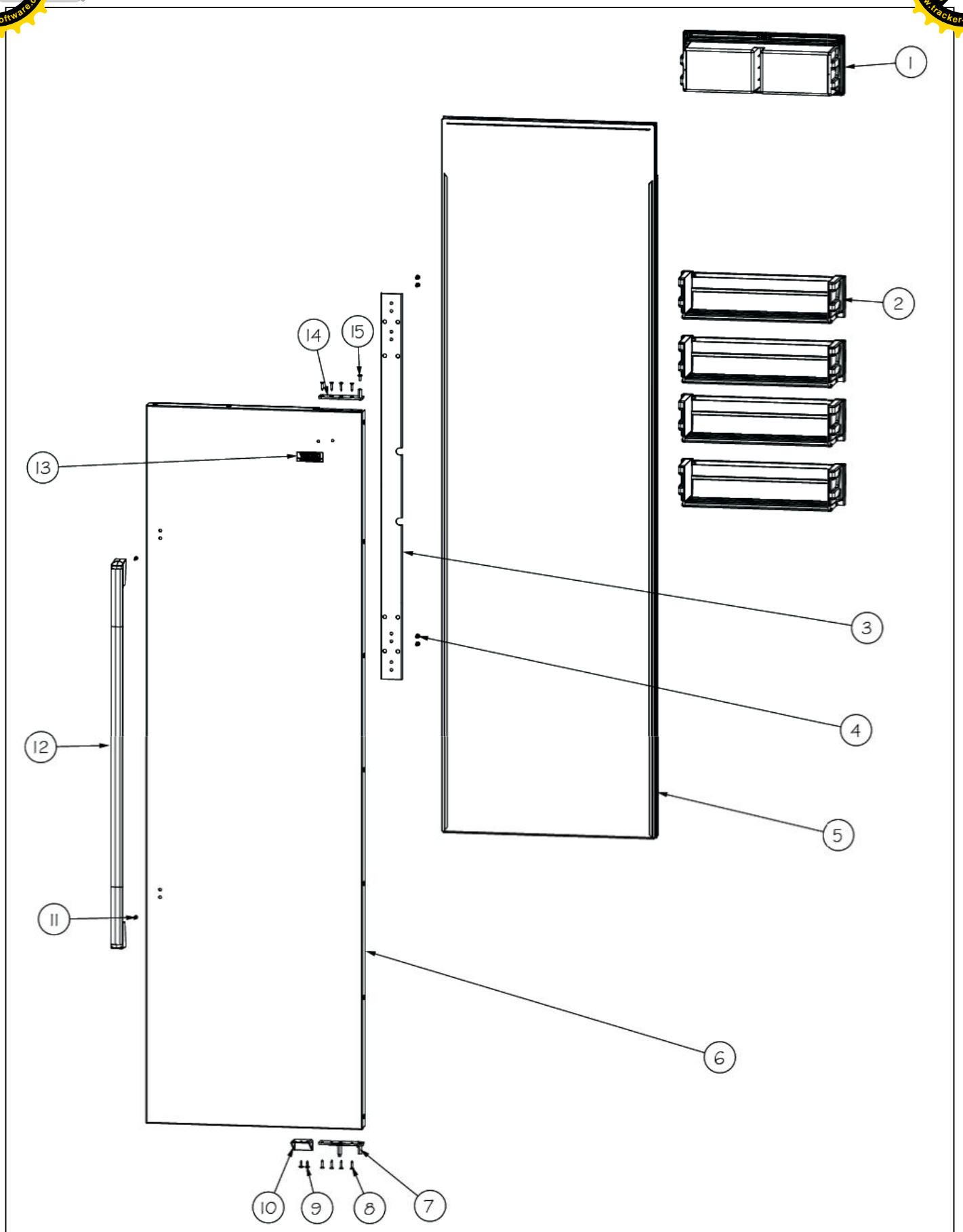
Item	Part No.	Name	Qty	Uom	NOTES
1	PK930123	DAIRY MODULE ASM SXS 42	1	EA	
2	036890-000	DOORBIN ASM SXS 42 FF	4	EA	
3	013327-000	BRACKET,HDL,DES	1	EA	
4	008974-000	SCREW 10 - 32 X 3/4 SLOT HEX WASHER W/ LOCTITE	4	EA	
5	PK930128	LINER DOOR SXS 42 FF	1	EA	NO LONGER AVAILABLE, Not available online / Call for pricing and availability
6	013452-000	SKIN,DOOR,SXS 42 DES FF SS	1	EA	Not available online / Call for pricing and availability
NI	013458-002	SKIN, DOOR, SXS 42D DES FF BK	1	EA	
NI	013458-003	SKIN, DOOR, SXS 42D DES FF BT	1	EA	
NI	013458-004	SKIN, DOOR, SXS 42D DES FF SG	1	EA	
NI	013458-005	SKIN, DOOR, SXS 42D DES FF GG	1	EA	
NI	013458-007	SKIN, DOOR, SXS 42D DES FF AL	1	EA	Not available online / Call for pricing and availability
NI	013458-008	SKIN, DOOR, SXS 42D DES FF BU	1	EA	Not available online / Call for pricing and availability
NI	013458-009	SKIN, DOOR, SXS 42D DES FF LE	1	EA	
NI	013458-010	SKIN, DOOR, SXS 42D DES FF MJ	1	EA	
NI	013458-011	SKIN, DOOR, SXS 42D DES FF FG	1	EA	Not available online / Call for pricing and availability
NI	013458-012	SKIN, DOOR, SXS 42D DES FF VB	1	EA	
NI	013458-013	SKIN, DOOR, SXS 42D DES FF CB	1	EA	
NI	013458-014	SKIN, DOOR, SXS 42D DES FF EP	1	EA	Not available online / Call for pricing and availability





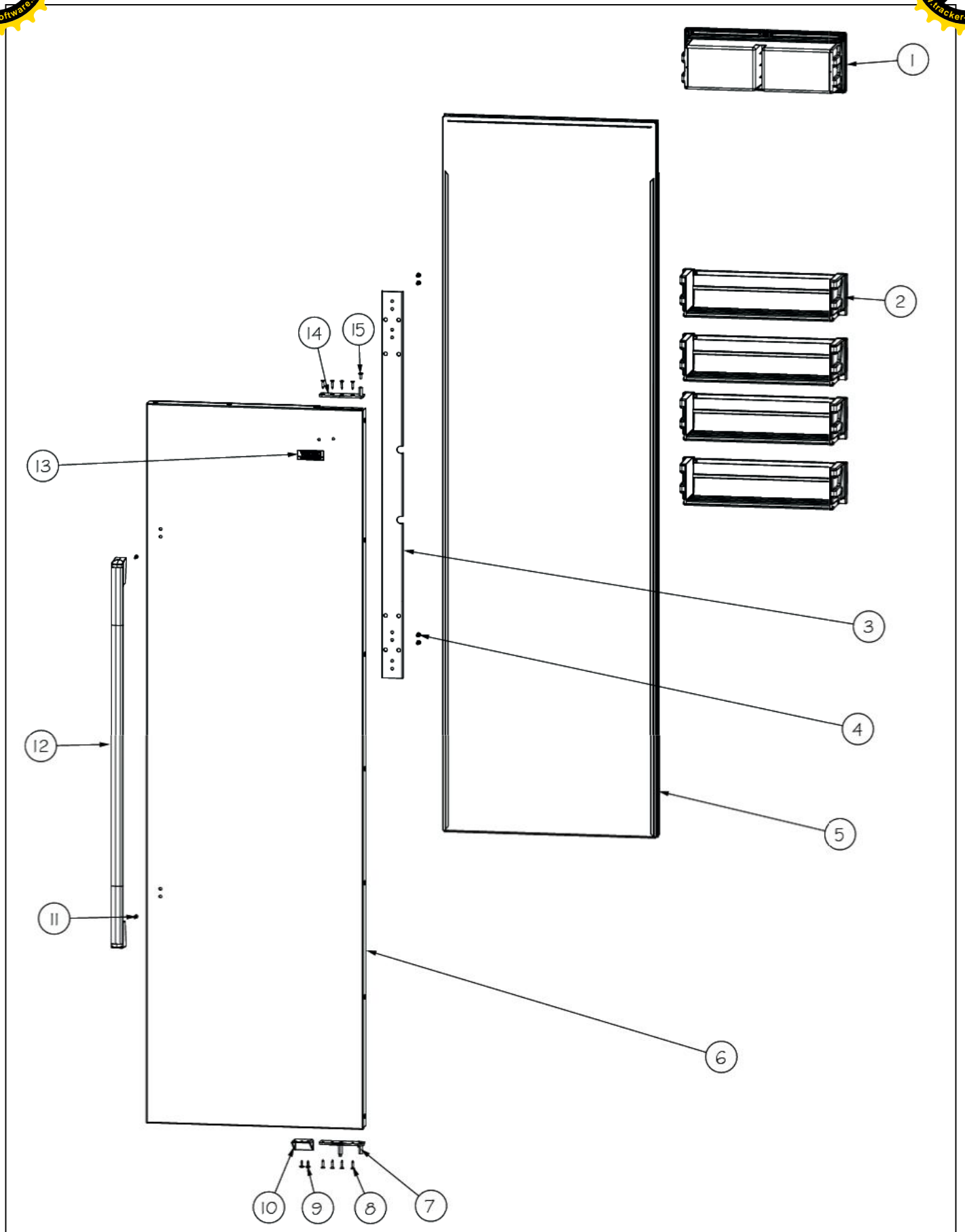
DDS 5

Item	Part No.	Name	Qty	Uom	NOTES
NI	013458-015	SKIN, DOOR, SXS 42D DES FF PL	1	EA	
NI	013458-016	SKIN, DOOR, SXS 42D DES FF CH	1	EA	
NI	013458-017	SKIN, DOOR, SXS 42D DES FF TP	1	EA	
NI	013458-018	SKIN, DOOR, SXS 42D DES FF CWNLA	1	EA	
NI	013458-019	SKIN, DOOR, SXS 42D DES FF OG	1	EA	
NI	013458-020	SKIN, DOOR, SXS 42D DES FF GM	1	EA	
NI	013458-021	SKIN, DOOR, SXS 42D DES FF SA	1	EA	
NI	013458-022	SKIN, DOOR, SXS 42D DES FF SE	1	EA	
NI	013458-023	SKIN, DOOR, SXS 42D DES FF IB	1	EA	
NI	013458-024	SKIN, DOOR, SXS 42D DES FF AR	1	EA	
NI	013458-025	SKIN, DOOR, SXS 42D DES FF RR	1	EA	
NI	013458-026	SKIN, DOOR, SXS 42D DES FF PM	1	EA	
NI	013458-027	SKIN, DOOR, SXS 42D DES FF MS	1	EA	
7	016181-000	PIVOT PL ASM RH LW PRO/DES	1	EA	
8	PD920174	10X7/8 PHILLIPS SMA TRI LOBE SA	5	EA	
9	M0210458	SCR 8-18 X 5/8 WAFER PH SMS	1	EA	
10	PD050019	STRIKER DOOR SWITCH	1	EA	
11	PD020043	#6-32 X .750 PH. CTRSK T(F)-VGSO166	2	EA	
12	014237-000	HANDLE,ASM,DES	1	EA	
13	013700-000	2.75" DESIGNER LOGO WITH PINS	1	EA	
14	PC020278	PIVOT PL ASM RH UP PRO/DES	1	EA	
15	PD020234	SCREW THP 10-32 X .500 SS BO	1	EA	





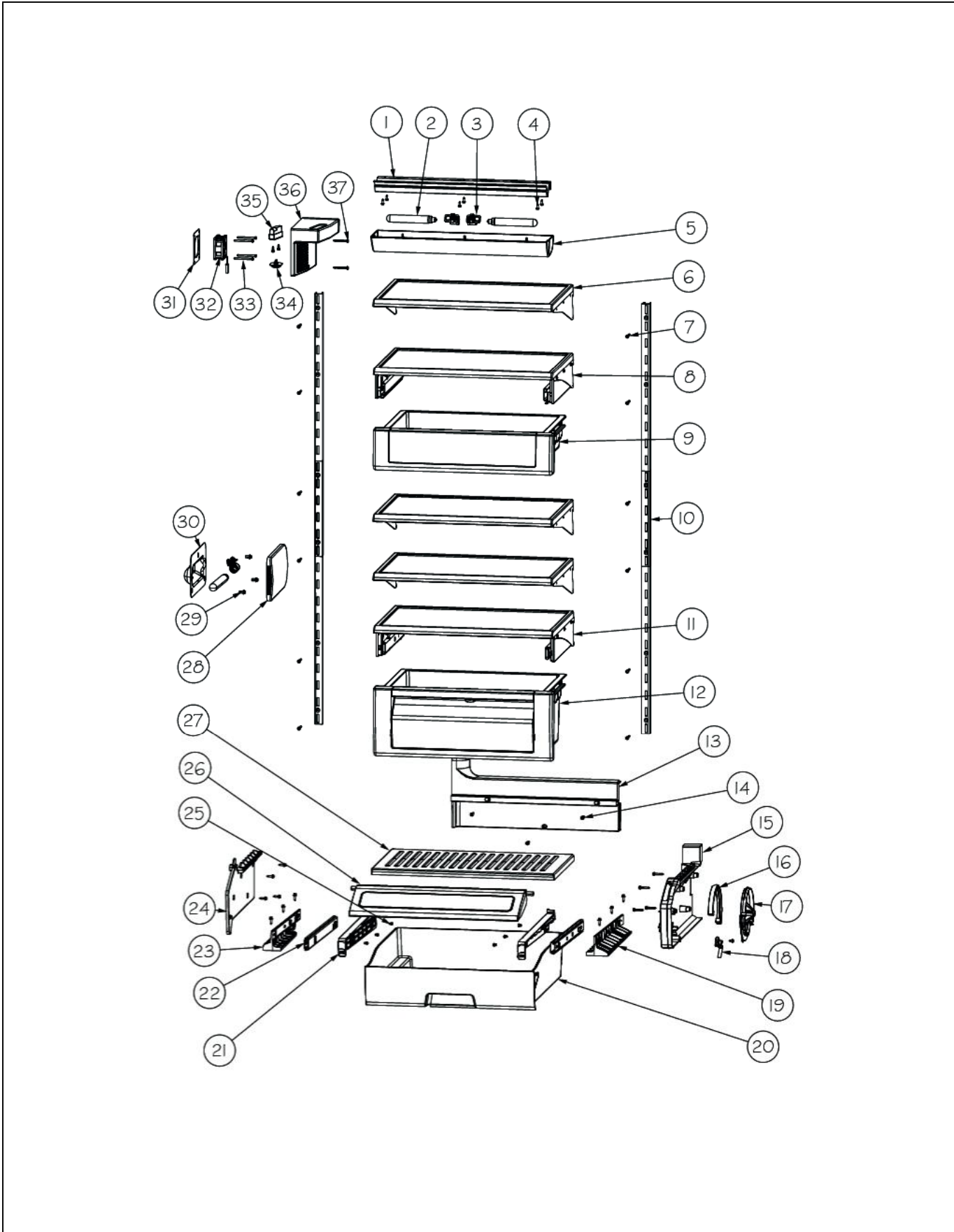
Item	Part No.	Name	Qty	Uom	NOTES
NI	011437-000	DOOR, SKIN, ASM, SXS 42 DES FF SS	1	EA	Not available online / Call for pricing and availability
NI	011180-102	DOOR,SKIN,ASM,SXS 42 DES FF BK	1	EA	Not available online / Call for pricing and availability
NI	011180-103	DOOR,SKIN,ASM,SXS 42 DES FF BT	1	EA	Not available online / Call for pricing and availability
NI	011180-104	DOOR,SKIN,ASM,SXS 42 DES FF SG	1	EA	Not available online / Call for pricing and availability
NI	011180-105	DOOR,SKIN,ASM,SXS 42 DES FF GG	1	EA	Not available online / Call for pricing and availability
NI	011180-107	DOOR,SKIN,ASM,SXS 42 DES FF AL	1	EA	Not available online / Call for pricing and availability
NI	011180-108	DOOR,SKIN,ASM,SXS 42 DES FF BU	1	EA	Not available online / Call for pricing and availability
NI	011180-109	DOOR,SKIN,ASM,SXS 42 DES FF LE	1	EA	Not available online / Call for pricing and availability
NI	011180-110	DOOR,SKIN,ASM,SXS 42 DES FF MJ	1	EA	Not available online / Call for pricing and availability
NI	011180-111	DOOR,SKIN,ASM,SXS 42 DES FF FG	1	EA	Not available online / Call for pricing and availability
NI	011180-112	DOOR,SKIN,ASM,SXS 42 DES FF VB	1	EA	Not available online / Call for pricing and availability
NI	011180-113	DOOR,SKIN,ASM,SXS 42 DES FF CB	1	EA	Not available online / Call for pricing and availability
NI	011180-114	DOOR,SKIN,ASM,SXS 42 DES FF EP	1	EA	Not available online / Call for pricing and availability

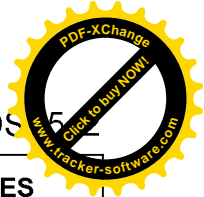




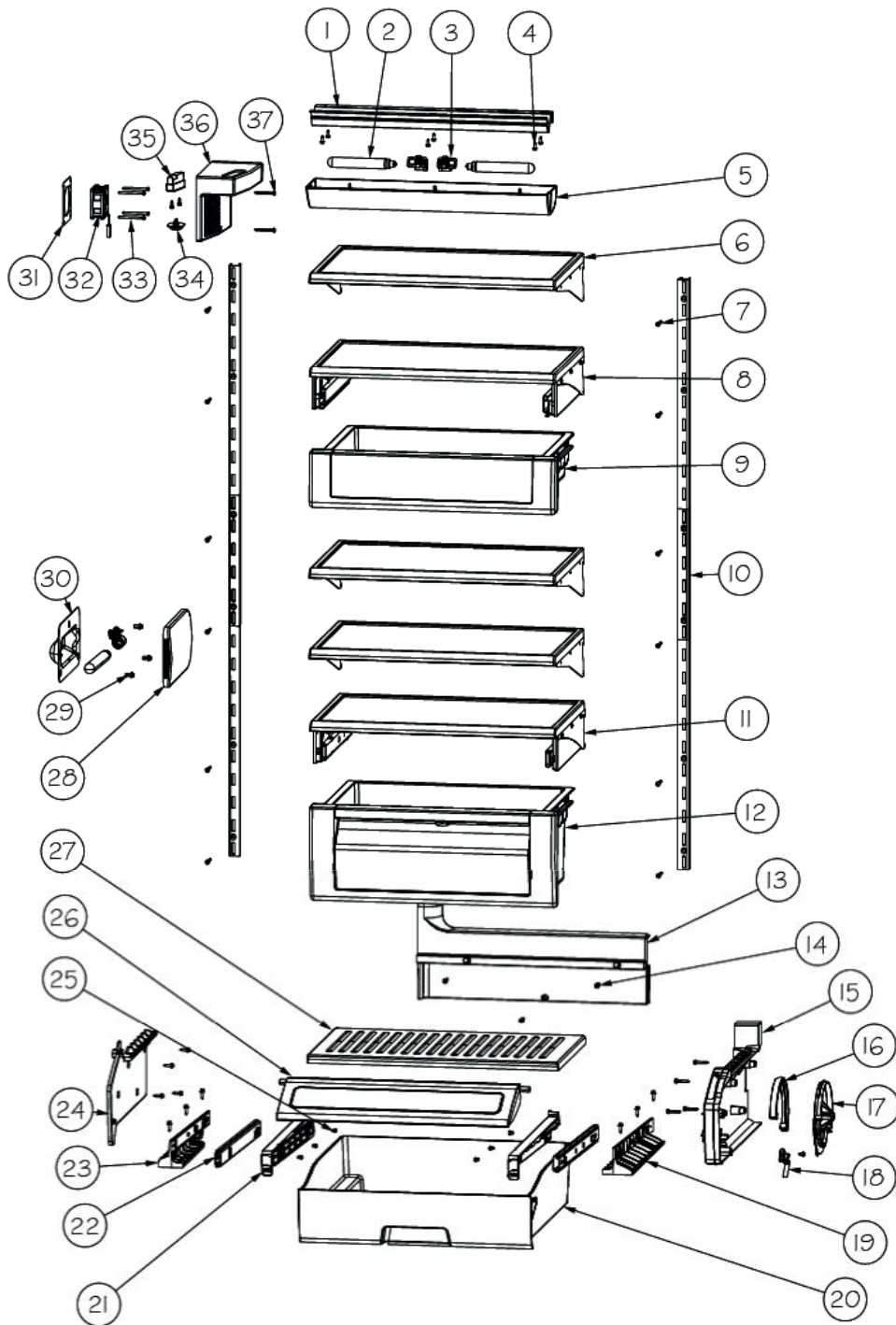
Item	Part No.	Name	Qty	Uom	NOTES
NI	011180-115	DOOR,SKIN,ASM,SXS 42 DES FF PL	1	EA	Not available online / Call for pricing and availability
NI	011180-116	DOOR,SKIN,ASM,SXS 42 DES FF CH	1	EA	Not available online / Call for pricing and availability
NI	011180-117	DOOR,SKIN,ASM,SXS 42 DES FF TP	1	EA	Not available online / Call for pricing and availability
NI	011180-118	DOOR,SKIN,ASM,SXS 42 DES FF CW	1	EA	Not available online / Call for pricing and availability
NI	011180-119	DOOR,SKIN,ASM,SXS 42 DES FF OG	1	EA	Not available online / Call for pricing and availability
NI	011180-120	DOOR,SKIN,ASM,SXS 42 DES FF GM	1	EA	Not available online / Call for pricing and availability
NI	011180-121	DOOR,SKIN,ASM,SXS 42 DES FF SA	1	EA	Not available online / Call for pricing and availability
NI	011180-122	DOOR,SKIN,ASM,SXS 42 DES FF SE	1	EA	Not available online / Call for pricing and availability
NI	011180-123	DOOR,SKIN,ASM,SXS 42 DES FF IB	1	EA	Not available online / Call for pricing and availability
NI	011180-124	DOOR,SKIN,ASM,SXS 42 DES FF AR	1	EA	Not available online / Call for pricing and availability
NI	011180-125	DOOR,SKIN,ASM,SXS 42 DES FF RR	1	EA	Not available online / Call for pricing and availability
NI	011180-126	DOOR,SKIN,ASM,SXS 42 DES FF PM	1	EA	Not available online / Call for pricing and availability
NI	011180-127	DOOR,SKIN,ASM,SXS 42 DES FF MS	1	EA	Not available online / Call for pricing and availability

FRIG INTERIOR ASSEMBLY





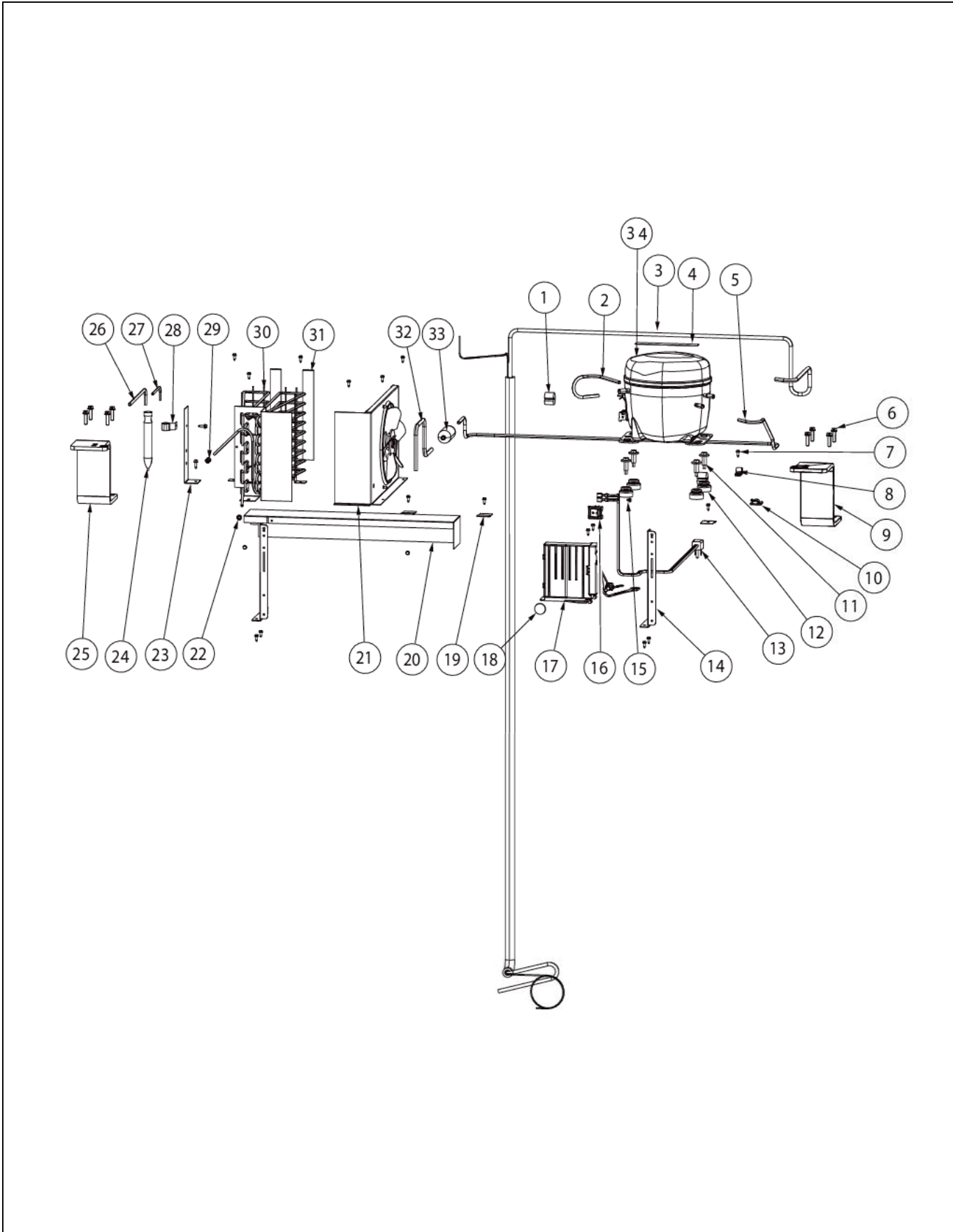
Item	Part No.	Name	Qty	Uom	NOTES
1	L2099474	BRACKET LIGHT SXS 42 FF	1	EA	Not available online / Call for pricing and availability
2	004528-000	LAMP, 40 WATT CLEAR LIGHT	3	EA	
3	PE950125	LIGHT SOCKET	3	EA	
4	PD020195	SCR 8-18 X 5/8	24	EA	
5	PD020193	SCR 8-18 X 3/8	1	EA	
6	PK930115	COVER LIGHT ASM SXS 42 FF	1	EA	
7	043623-000	SHELF ASM GLASS 42 FF	3	EA	
8	M0238535	SCREW-SM	12	EA	
9	G5099426	SHELF AND SLIDE ASSEMBLY	1	EA	
10	G32910068	DRAWER DELI & RAIL ASM SXS 42	1	EA	
11	PM910227	LADDER RS REF	2	EA	
12	G5099965	SHELF AND SLIDE ASM SXS 42	1	EA	
13	012809-000	PRODUCE DRAWER & RAIL ASM SXS 42	1	EA	
14	PK930171	DUCT MEAT SAVOR SXS 42 REAR	1	EA	
15	M0211021	SCREW-SM	3	EA	
16	044232-000	DUCT MEAT SAVOR (R)	1	EA	
17	PK930172	COVER CONTROL MEAT SAVOR	1	EA	
18	044384-000	DIAL CONTROL MEAT SAVOR	1	EA	
19	PM910334	ROLLER TENSION	1	EA	
20	PK930173	SUPPORT SLIDE MEAT SAVOR SXS 42/48 R	1	EA	
21	PK930114	DRAWER MEAT SAVOR SXS 42	1	EA	
22	PK930176	SUPPORT DRAWER MEAT SAVOR 42/48 L	1	EA	
23	PM910288	SLIDE MEAT SAVOR L	1	EA	
Comments for Part Num. PM910288					
profixappliances@gmail.com on May 3, 2017					
ITEM # 5 SHOULD BE PK930288-DOOR MEATSAVOR ASM AR/BM 36					
24	PK930174	SUPPORT SLIDE MEAT SAVOR SXS 42/48 L	1	EA	

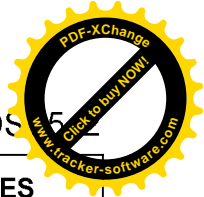




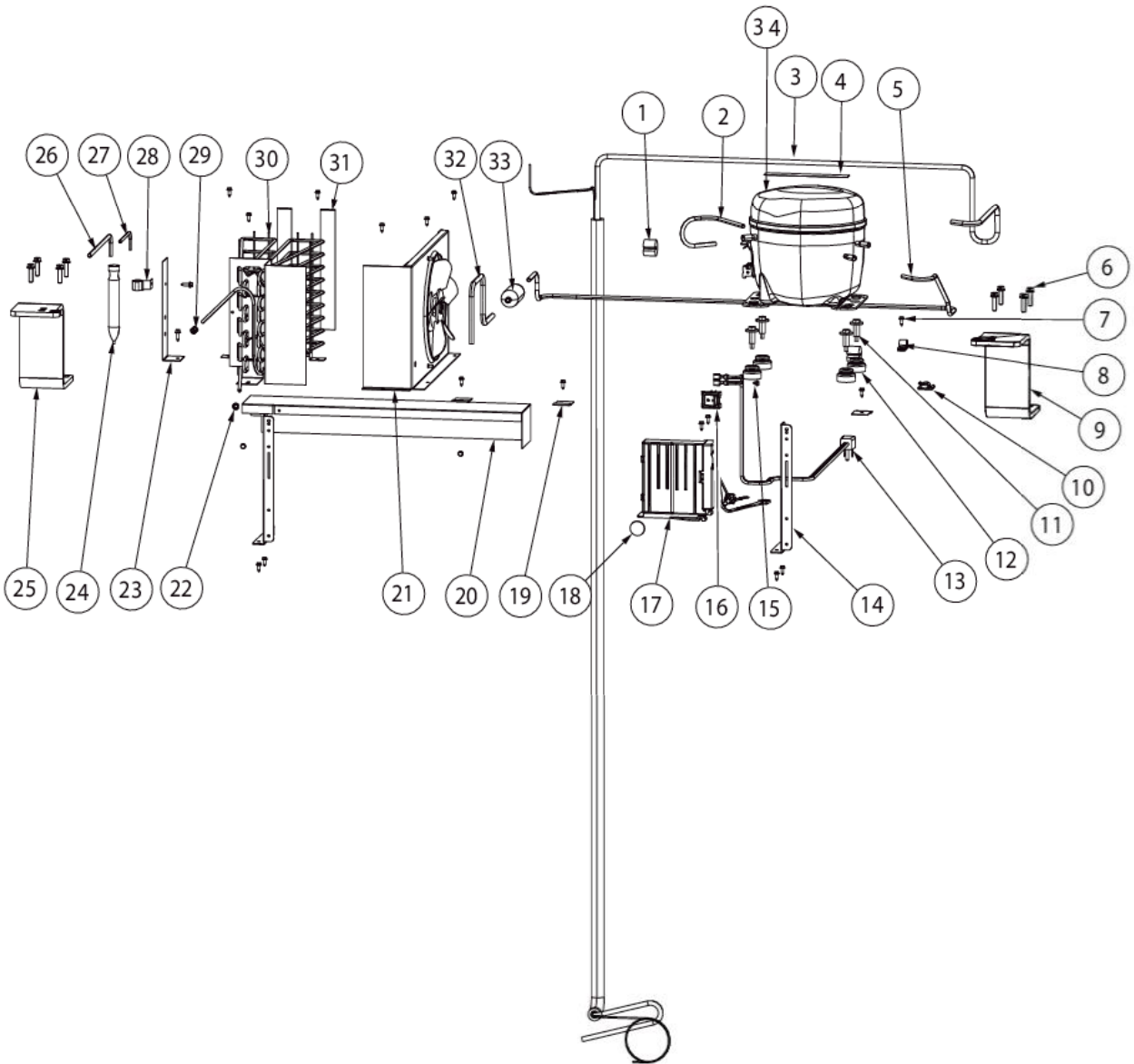
Item	Part No.	Name	Qty	Uom	NOTES
25	PK930170	DUCT MEAT SAVOR SXS 42 L	1	EA	
26	PD920162	SCR 8-16 PLASTITE PNP 1/4 S	2	EA	
27	045689-000	DOOR MEATSAVOR ASM SXS 42	1	EA	
28	PK930120	SHELF MEAT SAVOR SXS 42	1	EA	
29	PK930346	COVER LIGHT	1	EA	
30	M0580007	GROMMET-SCREW	3	EA	
31	10270203	HOUSING-LIGHT V10270203	1	EA	
32	007302-000	BRACKET,FAN	1	EA	
33	004551-000	AXIAL FAN	1	EA	
Comments for Part Num. 004551-000					
gboltz@VikingRange.com on Jul 21, 2016					
View service bulletin TR-0052-SP before ordering fan, if applicable order kit instead of fan					
34	M0221913	SCREW-SM	4	EA	
35	C8983701	THERMISTOR	1	EA	
36	010093-000	PLASMA CLUSTER	1	EA	
37	012312-000	FAN COVER SXS	1	EA	
38	PD020188	SCR 8-18 BT HXWS 1 1/2	2	EA	

SCALE SYSTEM ASSEMBLY



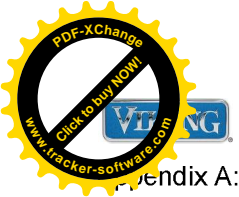


Item	Part No.	Name	Qty	Uom	NOTES
1	10699601	DAMPER-TUBING .8	2	EA	
2	F2096507	TUBE-PROCESS GRN	1	EA	
3	053308-000	HEAT EXCHANGER ASM SXS 42	1	EA	
4	C8982701	LABEL-COMP WARN	1	EA	
5	F2099443	Discharge Tube - Pre Accumulator	1	EA	
6	000570-000	FASTENER, BOLT, 1/4-20 IHXWS 1" S ZN SER	8	EA	
7	PD020195	SCR 8-18 X 5/8	20	EA	
8	PD030118	INSULATED CLAMP	1	EA	
9	PC920203	HINGE ASM UR	1	EA	
10	M0104106	CLIP-CORD VM0104106	1	EA	
11	M0221523	SCREW - SHLDR	4	EA	
12	10835901	GROMMET RUBBER V10835901	4	EA	
13	10916507	CORD-POWER V10916507	1	EA	
14	K20912569	BRACKET GRILLE SUPPORT	2	EA	
15	M0211014	SCREW-SM	1	EA	Not available online / Call for pricing and availability
16	PE950149	SWITCH POWER	1	EA	
17	011666-000	INVERTER,CMPR,ASM	1	EA	
<p>Comments for Part Num. 011666-000</p> <p>gboltz@VikingRange.com on Aug 9, 2018</p> <p>See 2018-01P Parts Bulletin</p>					
18	PF930682	LABEL WARNING INVERTER	1	EA	
19	K2096943	PANEL BRACKET	3	EA	
20	K20912585	DIVERTER AIR HI SIDE SXS	1	EA	Not available online / Call for pricing and availability
21	G5096494	COND. FAN ASSY	1	EA	
22	007408-000	RING,LOK, .250 DIA	1	EA	
23	K2099454	Bracket	1	EA	
24	PM010616	DRIER - HIGH SIDE	1	EA	



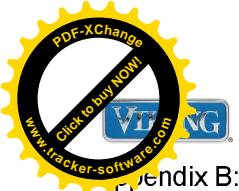


Item	Part No.	Name	Qty	Uom	NOTES
25	PC920193	HINGE ASSEM UPPER RH	1	EA	
26	F2097740	TUBE PROCESS	1	EA	
27	F2096504	TUBE-DRIER EXT	1	EA	
28	10547001	CLIP-DRIER V10547001	1	EA	
29	007407-000	RING,LOK, .187 DIA	1	EA	
30	PB920171	CONDENSER ASM	1	EA	
31	A3189370	GASKET-FOAM VA3189370	2	EA	
32	003325-000	TUBE DRIER COND	1	EA	
33	PB920201	Accumulator	1	EA	
34	PM010619	COMPRESSOR VCC AF	1	EA	



Appendix A:Pages Index

CONTROL ASSEMBLY	1
EXTERIOR ASSEMBLY	2
FREEZER DOOR ASSEMBLY	3
FREEZER INTERIOR ASSEMBLY	4
LOW SIDE ASSEMBLY	5
LOWER UNIT ASSEMBLY	6
MC COVER AND UPPER GRILLE ASSEM	7
REFRIG DOOR ASSEMBLY	8
REFRIG INTERIOR ASSEMBLY	9
SEALED SYSTEM ASSEMBLY	10



Appendix B: Parts Index

000207-002	2	011180-103	8
000570-000	6, 10	011180-104	8
003325-000	10	011180-105	8
003867-000	6	011180-107	8
004528-000	4, 9	011180-108	8
004551-000	4, 6, 9	011180-109	8
005319-000	1	011180-110	8
005396-000	1	011180-111	8
007302-000	4, 9	011180-112	8
007407-000	10	011180-113	8
007408-000	10	011180-114	8
008974-000	3, 8	011180-115	8
010093-000	9	011180-116	8
010492-000	1	011180-117	8
011159-102	3	011180-118	8
011159-103	3	011180-119	8
011159-104	3	011180-120	8
011159-105	3	011180-121	8
011159-107	3	011180-122	8
011159-108	3	011180-123	8
011159-109	3	011180-124	8
011159-110	3	011180-125	8
011159-111	3	011180-126	8
011159-112	3	011180-127	8
011159-113	3	011432-000	3
011159-114	3	011437-000	8
011159-115	3	011666-000	10
011159-116	3	012312-000	9
011159-117	3	012809-000	9
011159-118	3	013327-000	3, 8
011159-119	3	013452-000	8
011159-120	3	013454-000	3
011159-121	3	013458-002	8
011159-122	3	013458-003	8
011159-123	3	013458-004	8
011159-124	3	013458-005	8
011159-125	3	013458-007	8
011159-126	3	013458-008	8
011159-127	3	013458-009	8
011180-102	8	013458-010	8
		013458-011	8



458-012	8	013700-000	
013458-013	8	014237-000	3, 8
013458-014	8	014334-000	6
013458-015	8	014655-000	7
013458-016	8	016181-000	8
013458-017	8	016182-000	3
013458-018	8	016193-000	7
013458-019	8	016196-000	7
013458-020	8	020117-000	4
013458-021	8	036888-000	3
013458-022	8	036890-000	8
013458-023	8	043156-000	4
013458-024	8	043623-000	9
013458-025	8	044232-000	9
013458-026	8	044370-000	6
013458-027	8	044384-000	9
013473-002	3	045689-000	9
013473-003	3	053308-000	5, 10
013473-004	3	058966-000	5
013473-005	3	060890-000	6
013473-007	3	060891-000	6
013473-008	3	10270203	4, 9
013473-009	3	10428101	5
013473-010	3	10527401	5
013473-011	3	10547001	10
013473-012	3	10623003	5
013473-013	3	10629001	5
013473-014	3	10699601	10
013473-015	3	10835901	10
013473-016	3	10916507	10
013473-017	3	12064001	1
013473-018	3	12231701	4
013473-019	3	12258501	4
013473-020	3	12304301	4
013473-021	3	40370P01	2
013473-022	3	A3030361	1
013473-023	3	A3127415	4
013473-024	3	A3189370	5, 10
013473-025	3	A4554806	6, 7
013473-026	3	A4554817	1, 6
013473-027	3	B20915627	6



797183	4	K2099470	7
C8982701	10	K2099471	7
C8983701	5, 9	L20914124WH	6
C9097789BK	2	L2097181	5
F20915693	6	L2097182	5
F2096504	10	L2099474	9
F2096507	10	L2099475	4
F2097740	10	M0104102	6
F2099443	10	M0104106	1, 6, 10
G32910068	9	M0210443	2
G32913789	6	M0210458	3, 8
G50911853	6	M0211014	5, 10
G50915900	7	M0211021	4, 9
G5096494	10	M0215318	2, 7
G5098660	5	M0220417	6
G5099426	9	M0221523	6, 10
G5099965	9	M0221913	4, 9
K20910060	1	M0224128	1, 7
K20910061	1	M0230028	7
K20911831	6	M0238535	4, 9
K20912569	10	M0238846	1
K20912585	10	M0253916	6
K20915000	1	M0288120	1
K20915675	7	M0580007	4, 9
K20915903	7	M0585504	1
K20915952	6	M0585506	1
K2096456	5	PB020304	6
K2096457	5	PB070355	7
K2096458	5	PB070360	7
K2096461	5	PB920171	10
K2096943	10	PB920201	10
K2098044	6	PB970171	7
K2098096	6	PC020278	8
K2098654	1	PC020279	3
K2099402	1	PC020288	6
K2099454	10	PC020289	6
K2099455	7	PC040010	1, 1, 6, 7
K2099458	7	PC910015	6
K2099459	7	PC920144	6
K2099460	7	PC920145	6
K2099461	7	PC920149	6



PC920166	6	PK930074	4
PC920193	10	PK930075	4
PC920203	10	PK930076	4
PD020010	6	PK930079	4
PD020013	1	PK930086	4
PD020043	3, 8	PK930114	9
PD020188	4, 9	PK930115	9
PD020193	9	PK930120	9
PD020194	1, 4, 5, 6, 7	PK930123	8
PD020195	9, 10	PK930128	8
PD020233	7	PK930129	3
PD020234	3, 6, 8	PK930150	5
PD020274	6	PK930170	9
PD030118	10	PK930171	9
PD030146	6	PK930172	9
PD040157	7	PK930173	9
PD050019	3, 8	PK930174	9
PD920162	9	PK930176	9
PD920174	3, 8	PK930230	1
PD940090	6	PK930346	4, 9
PD940091	6	PK930348	6
PD940094	6	PM010616	10
PD940107	6	PM010619	10
PE050248	6	PM910072	7
PE070728	1	PM910084	7
PE070785	1	PM910190	4
PE950125	4, 9	PM910206	5
PE950146	6	PM910227	9
PE950147	6	PM910288	9
PE950149	10	PM910305	7
PE970464	1	PM910334	9
PE970609	1	PM910348	7
PF031267	6	PM910349	7
PF930523	7	PM910411	4
PF930654	6		
PF930672	1		
PF930682	10		
PJ910031	5		
PK050004	7		
PK920066	2		
PK930073	4		