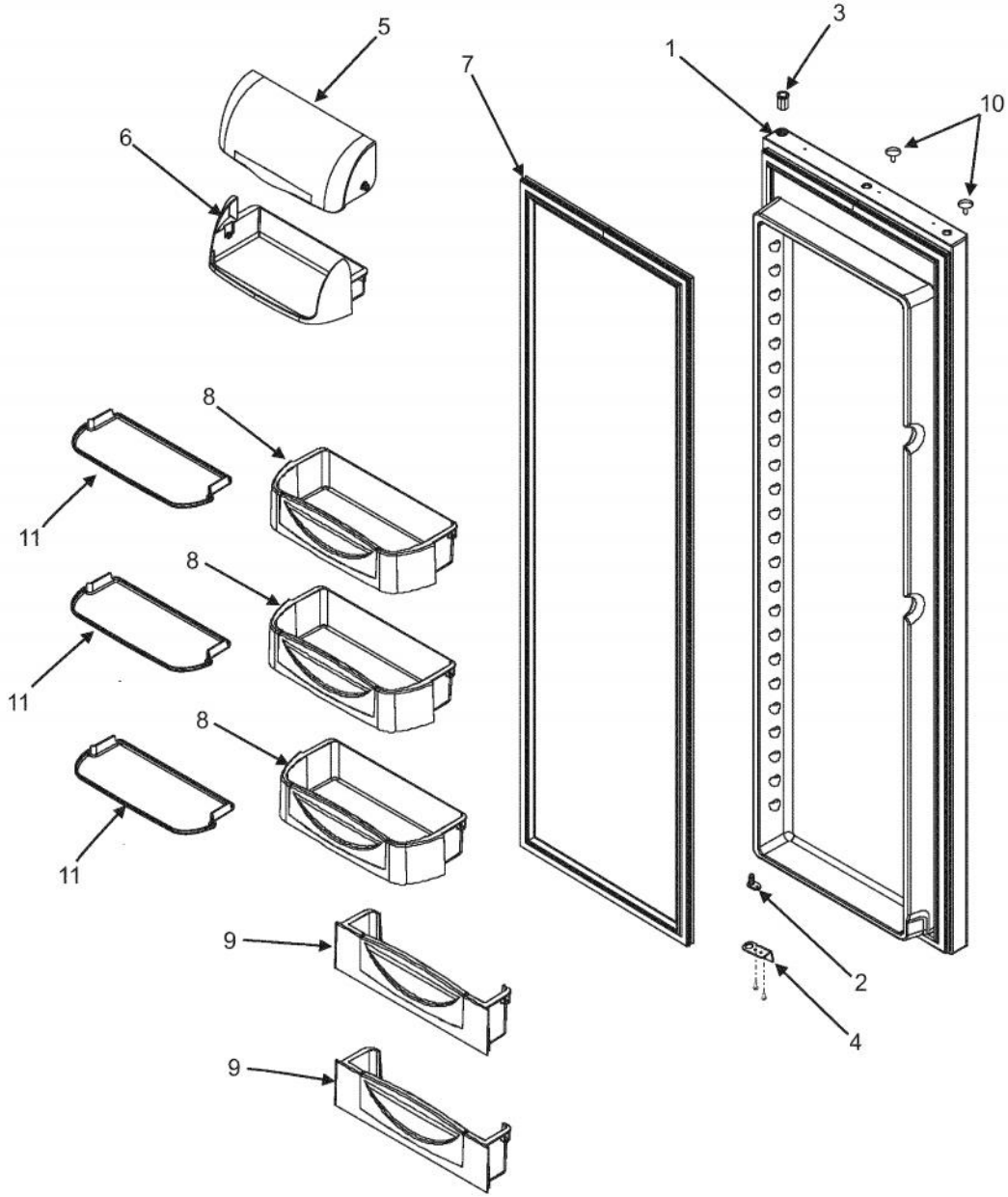
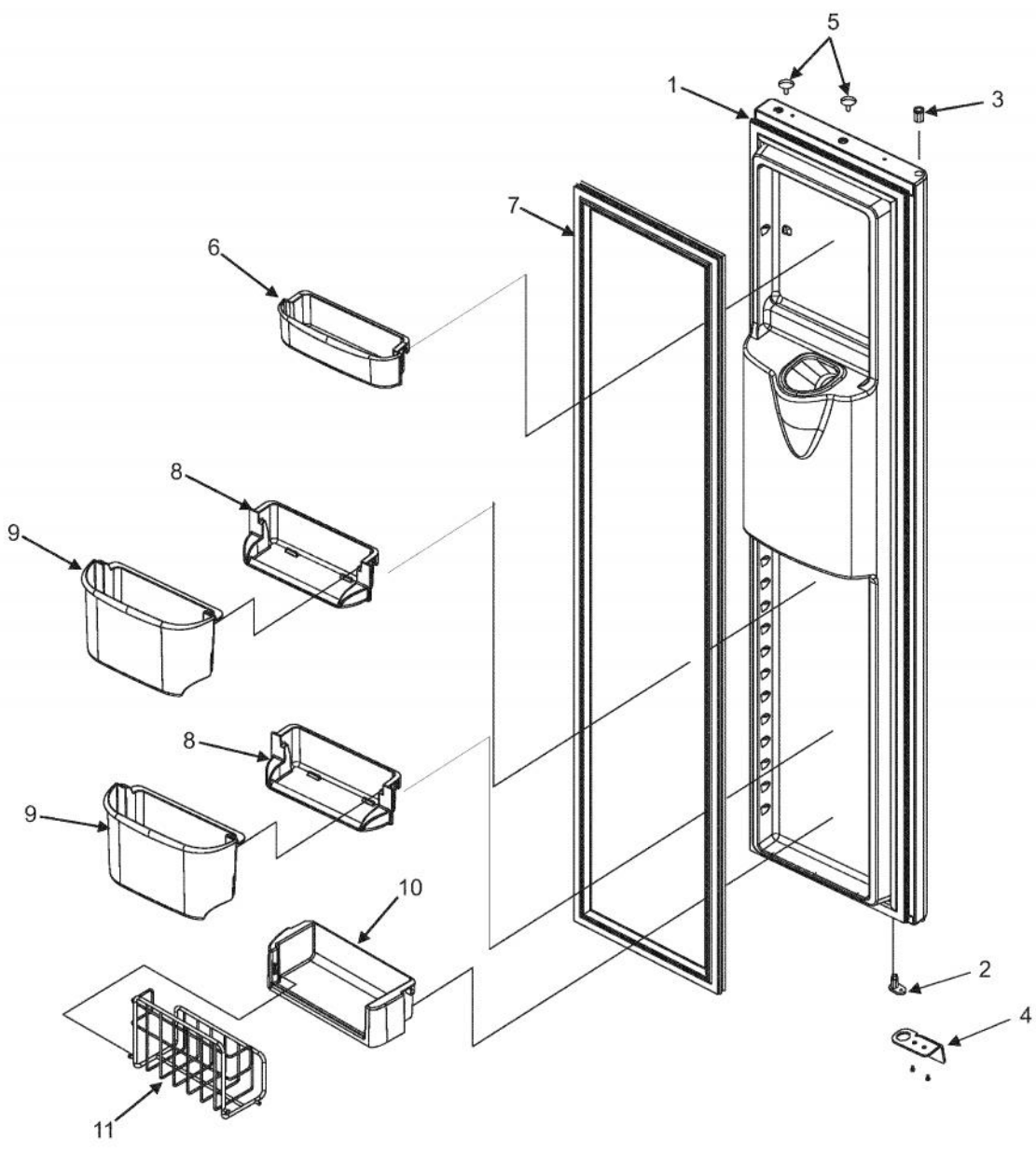


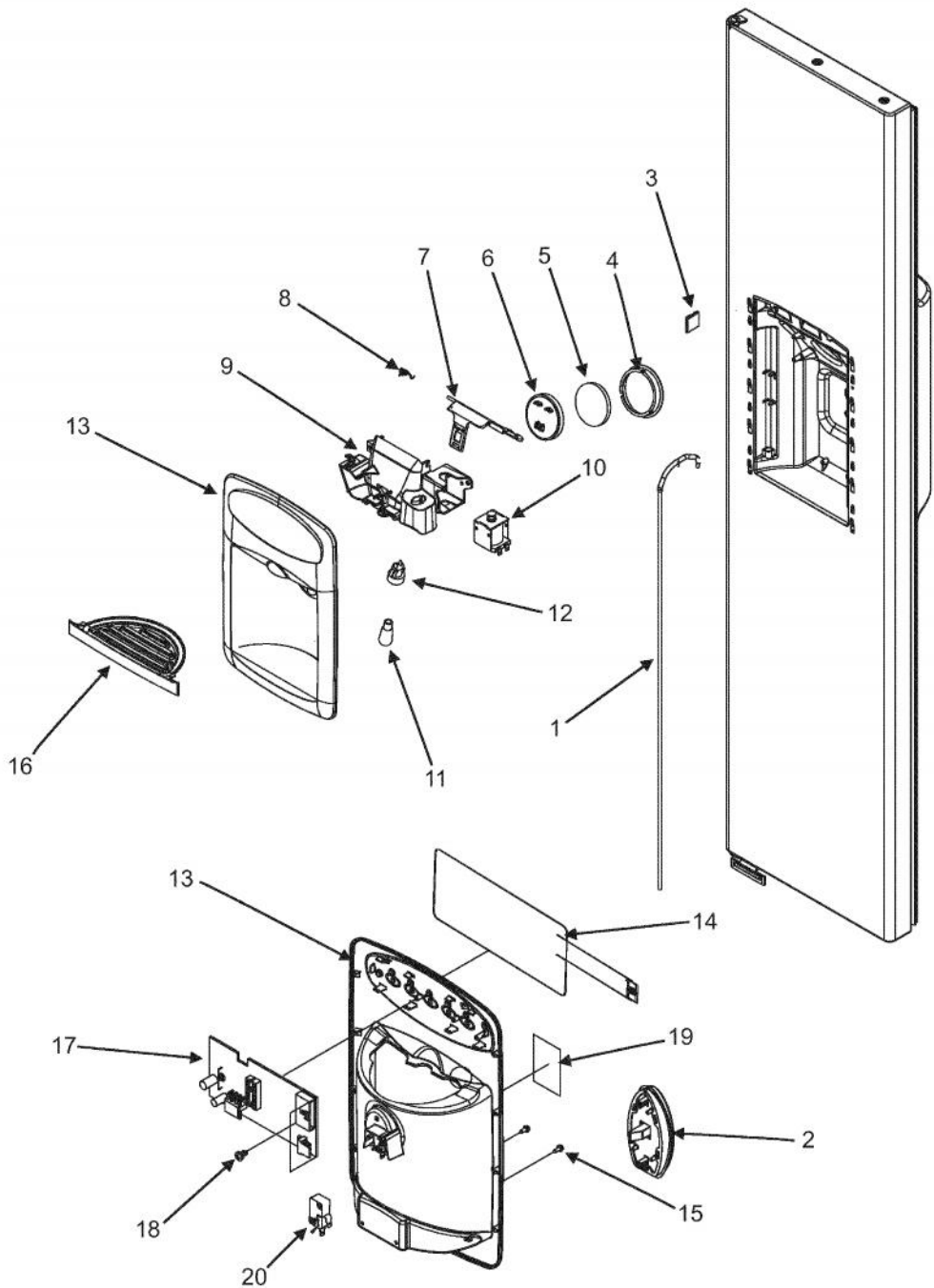
Ref #	Part Number	Qty.	Description
1	PE030188		DESIGNER HANDLE REF-OUTSOURCED 67006725
2	PS400004		STUD, HANDLE (67002936)
3	PS400003		SCREW, HANDLE (3387230)
4	PE010195		NAMEPLATE LOGO DES



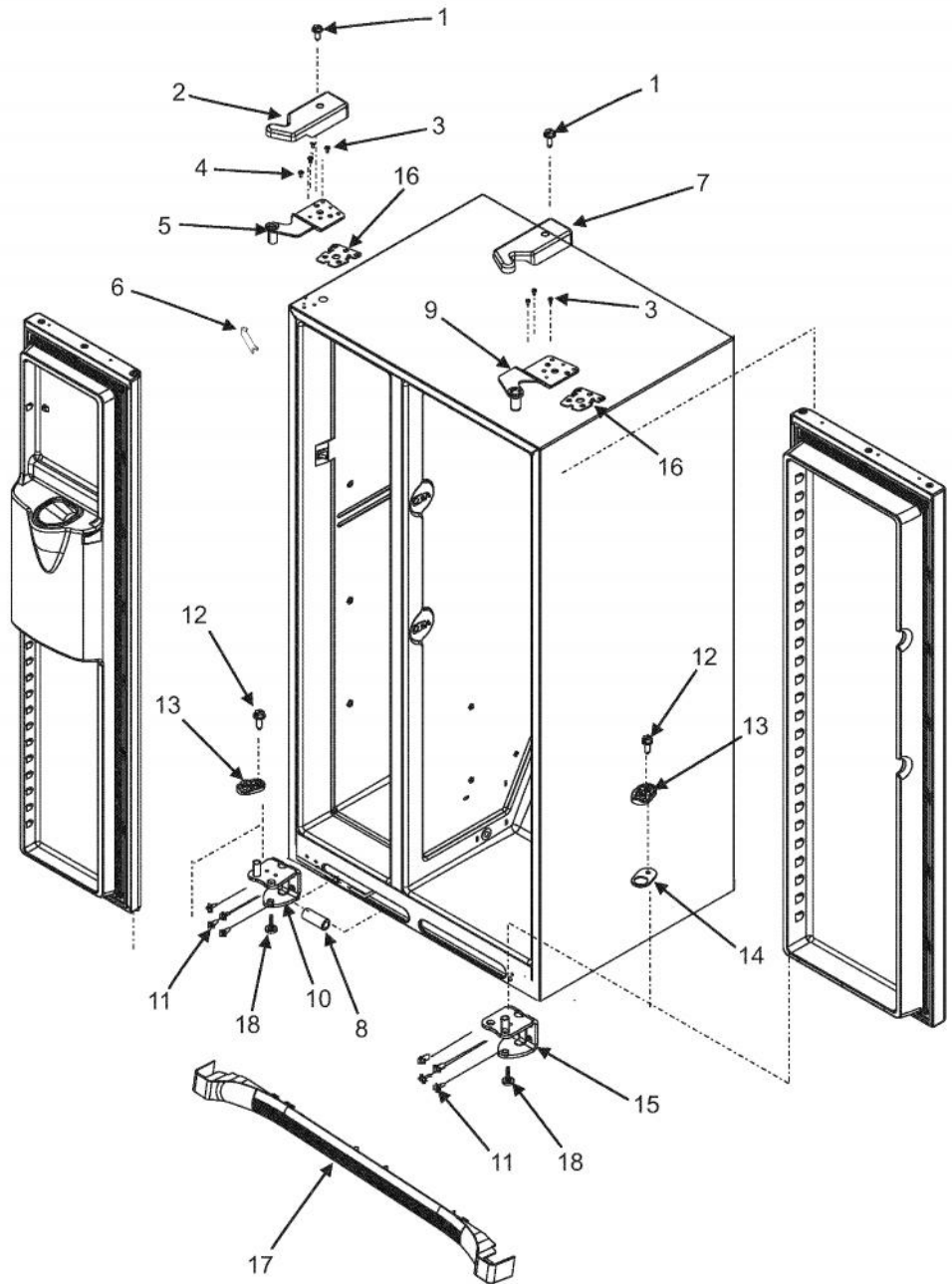
Ref #	Part Number	Qty.	Description
1	PS400240		REFRIGERATOR DOOR ASSEMBLY (SS) (12818242SQ
2	PS400241		DOOR CLOSURE (67006134)
3	PS400242		DOOR BUSHING (BLACK) (67004976)
4	PS400243		DOOR STOP (67007017)
NI	PS400244		SCREW, DOOR STOP (67006672)
5	PS400245		DAIRY DOOR (67002957)
6	PS400246		DAIRY TRAY (67002304)
7	PS400247		GASKET, REFRIGERATOR DOOR (67003965)
8	PS400248		BUCKET ASSEMBLY (INC. GRIPPER) 67006674
9	PS400249		BUCKET, REFRIGERATOR DOOR (67004285)
10	PS400250		PLUG, BUTTON (M0311607)
11	PS400251		GRIPPER (67006673)



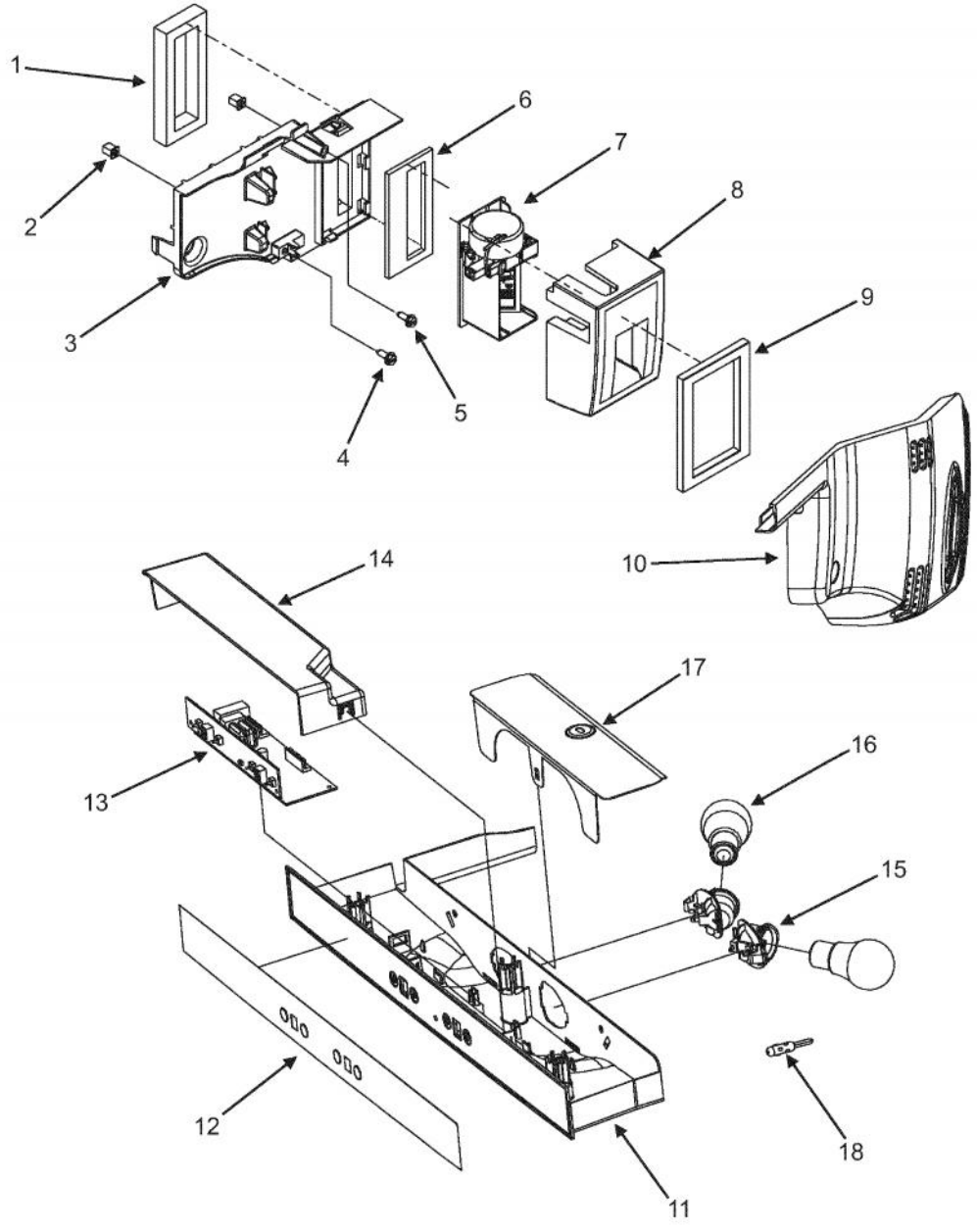
Ref #	Part Number	Qty.	Description
1	PS400252		FREEZER DOOR ASSEMBLY (SS) (67006762)
2	PS400253		DOOR CLOSURE (67006677)
3	PS400222		BUSHING, DOOR, BLACK (UPPER LEFT)
4	PS400254		DOOR STOP (67006518)
NI	PS400244		SCREW, DOOR STOP (67006672)
5	M0311607		PLUG, BUTTON
6	PS400255		BUCKET, UPPER FREEZER DOOR (67004772)
7	PS400256		GASKET, FREEZER DOOR (67003967)
8	PS400257		FRAME, TILT BUCKET (67004291)
9	PS400258		TILT BUCKET (67004290)
10	PS400259		FRAME, TILT BASKET (67004475)
11	PS400260		TILT BASKET (67005630)



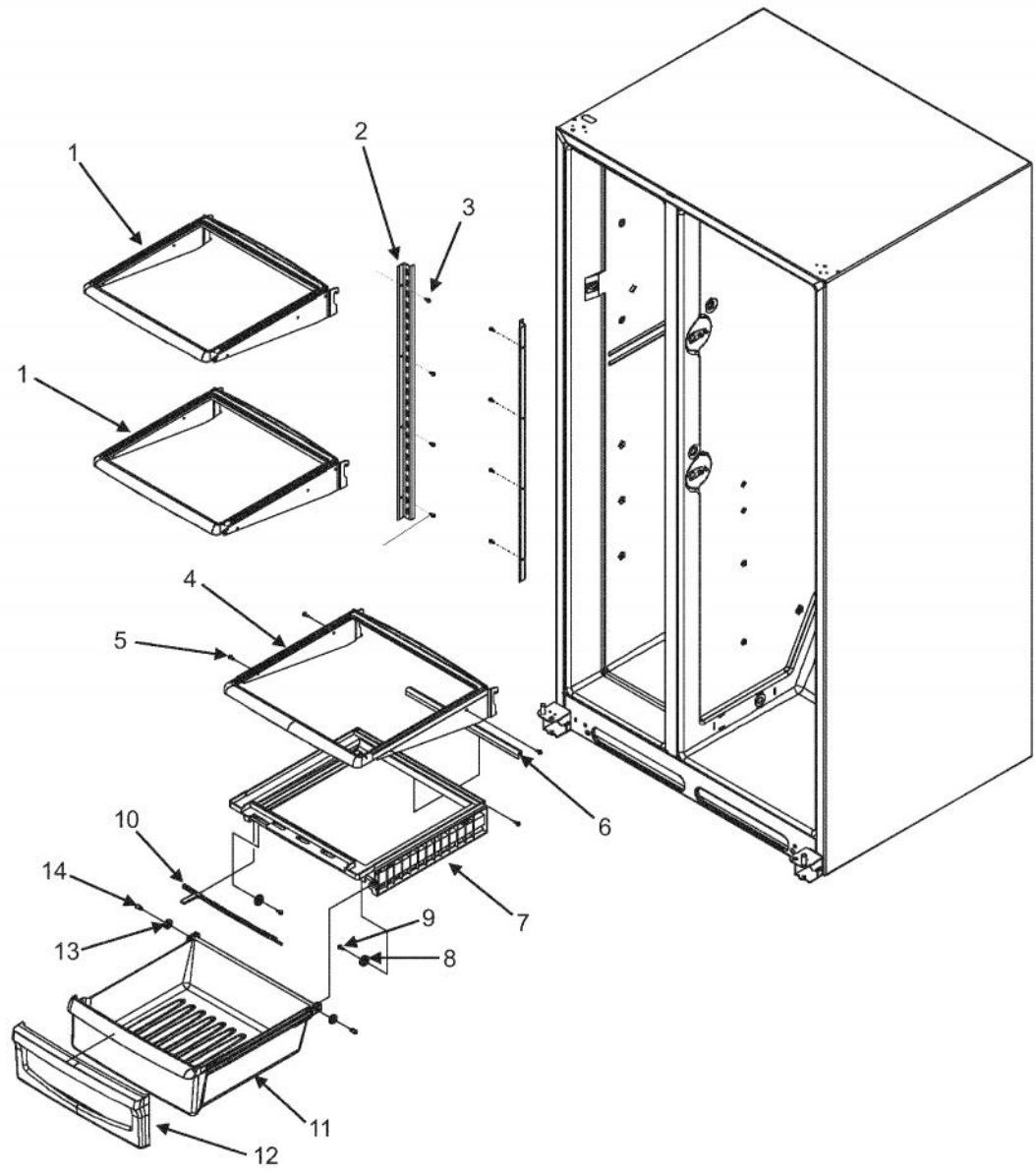
Ref #	Part Number	Qty.	Description
1	PS400261		WATERLINE ASSEMBLY (67005035)
NI	PS400182		CLAMP, TUBE
2	PS400262		ACTUATOR PAD FRAME ASSEMBLY (67004511)
3	PS400188		WATERLINE TRACK (67004102)
4	PS400263		SEAL, ICE CHUTE (12665101)
5	PS400264		INSULATION, CHUTE DOOR (67007098)
6	PS400265		DOOR, ICE CHUTE (12562701)
7	PS400266		HINGE, ICE CHUTE (67004119)
8	PS400267		SPRING, CHUTE, DOOR (12565502)
9	PS400268		EXTENSION, ICE CHUTE (67006534)
NI	PS400042		SCREW, SMALL (67006400)
10	PS400269		SOLENOID (67006000)
11	PS400270		LIGHT BULB (67001316)
12	PS400271		LIGHT SOCKET (12617501)
13	PS400272		FACADE (BLACK) (67005531)
14	PS400273		KEYBOARD
15	PS400274		SCREW, FACADE (67006682)
16	PS400275		TRAY, SUMP (67005636)
17	PS400276		CONTROL BOARD (W10204681)
18	PS400277		SCREW, BOARD (67006683)
19	PS400278		LABEL, DISPENSER (67006684)
20	PS400279		LIMIT SWITCH (12575502)



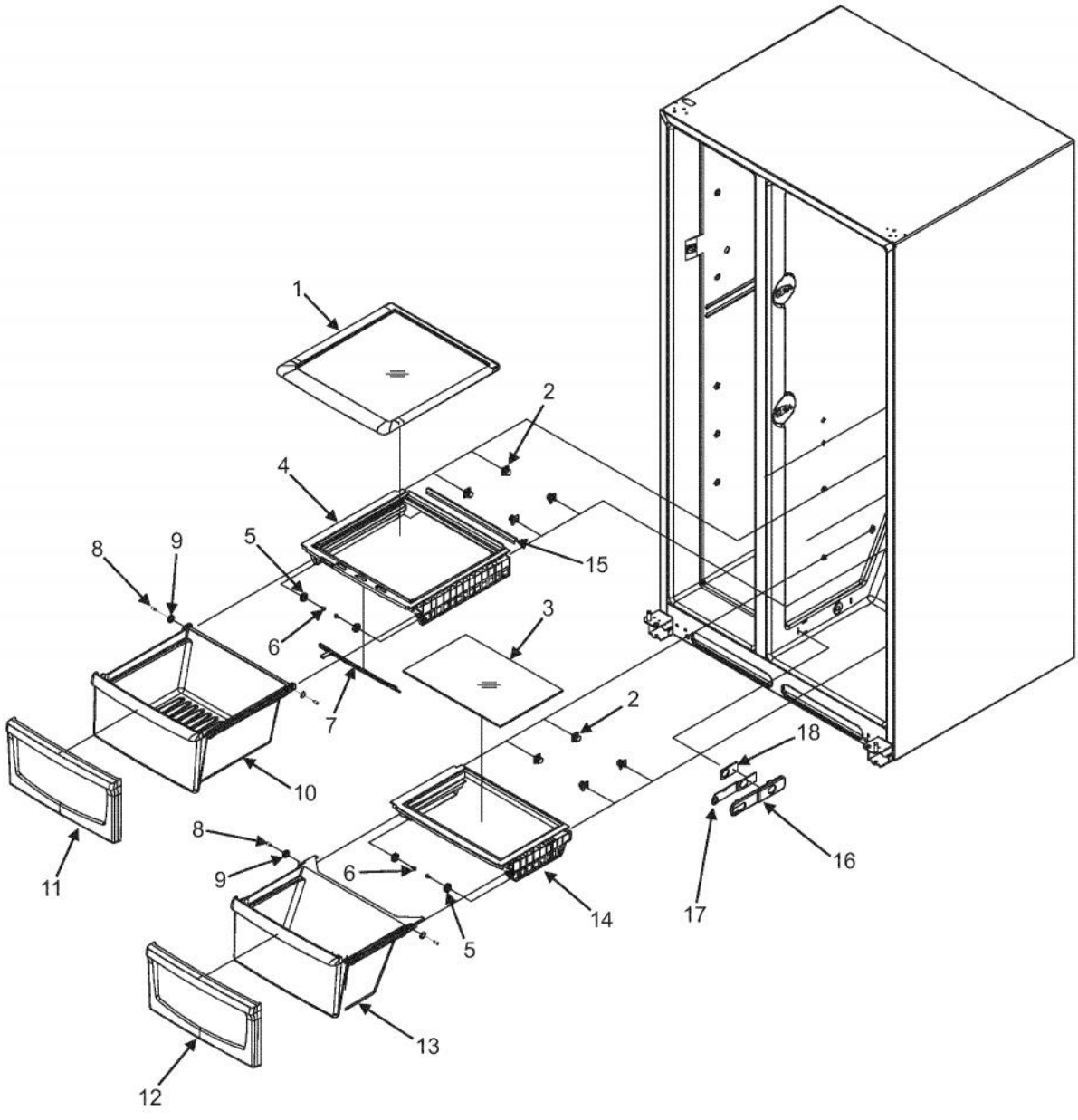
Ref #	Part Number	Qty.	Description
1	PS400015		SCREW, TOP HINGE COVER (67006521)
2	PS400218		COVER, TOP HINGE 67006726
3	PS400010		GEAR (LH & RH)
4	PS400280		SCREW (67006487)
5	PS400217		TOP HINGE 12626908
6	PS400094		CORNER COVER (67003485)
7	PS400008		COVER, RIGHT HINGE, BLACK
8	PS400040		UNION (5/16 X 5/16)
9	PS400006		HINGE, TOP RIGHT
10	PS400281		BOTTOM HINGE (67007007)
11	PS400282		SCREW, BOTTOM HINGE (67006564)
12	PS400283		SCREW, CLOSURE (67006492)
13	PS400284		DOOR CLOSURE (67006493)
14	PS400285		SHIM, CLOSURE (67005716)
15	PS400286		BOTTOM HINGE (67007008)
16	PS400287		SHIM, TOP HINGE (12695601)
17	PS400288		TOE GRILLE (67006687)
18	PS400102		BRAKE, FOOT (67003868)



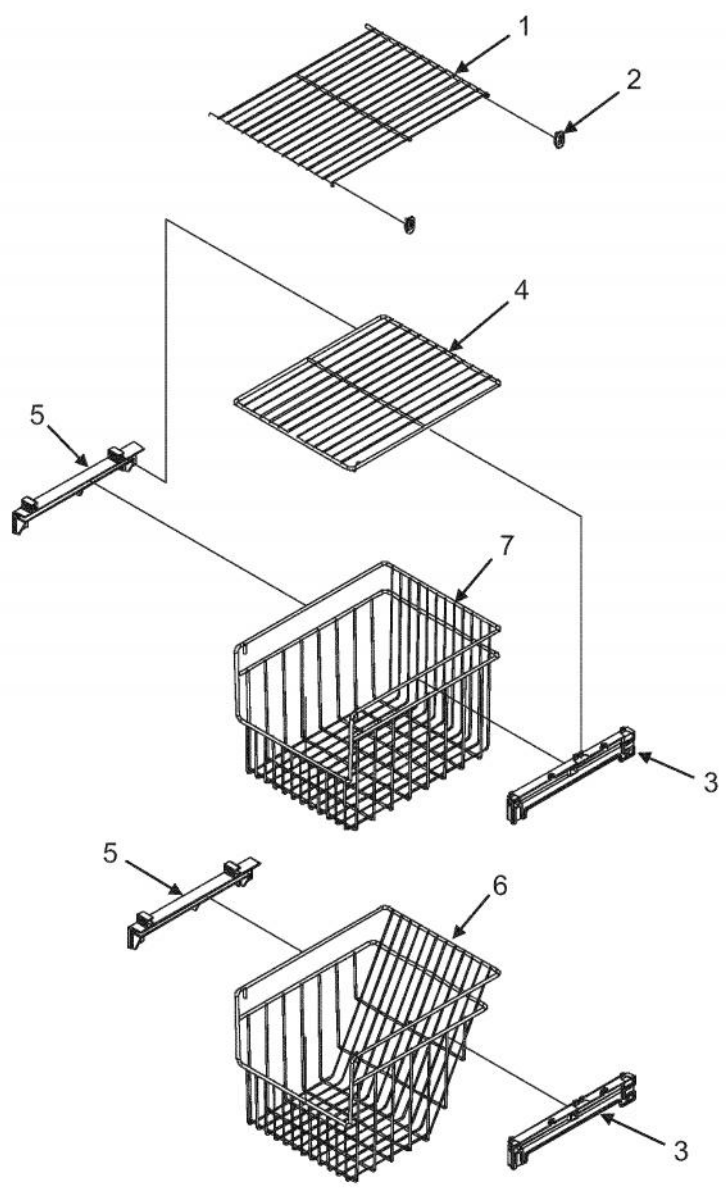
Ref #	Part Number	Qty.	Description
1	PS400289		GASKET, DAMPER (67004031)
2	PS400290		GROMMET, SCREW (M0580205)
3	PS400291		BRACKET, ELECTRONIC CONTROL (67004447)
4	PS400013		SCREW, DOOR STOP (67006287)
5	PS400292		SCREW, BRACKET (67006688)
6	PS400293		GASKET, DAMPER (12582801)
7	PS400294		DAMPER, ELECTRONIC CONTROL (67006249)
8	PS400295		INSULATION DAMPER (67006522)
9	PS400296		GASKET, CONTROL COVER (67006495)
10	PS400297		COVER, ELECTRONIC CONTROL (W10207714)
11	PS400298		HOUSING, CONTROL (67005478)
12	PS400299		OVERLAY (67006689)
13	PS400048		CONTROL BOARD (W10207861)
14	PS400300		COVER, CONTROL BOARD (67004750)
15	PS400053		LIGHT SOCKET (12570701)
16	PS400054		LIGHT BULB (A0282812)
17	PS400301		REFLECTOR, LIGHT (67005038)
18	PS400063		THERMISTOR
NI	PS400302		PLUG, BUTTON (67002417)
NI	PS400303		HARNESS, CONTROL (67006548)



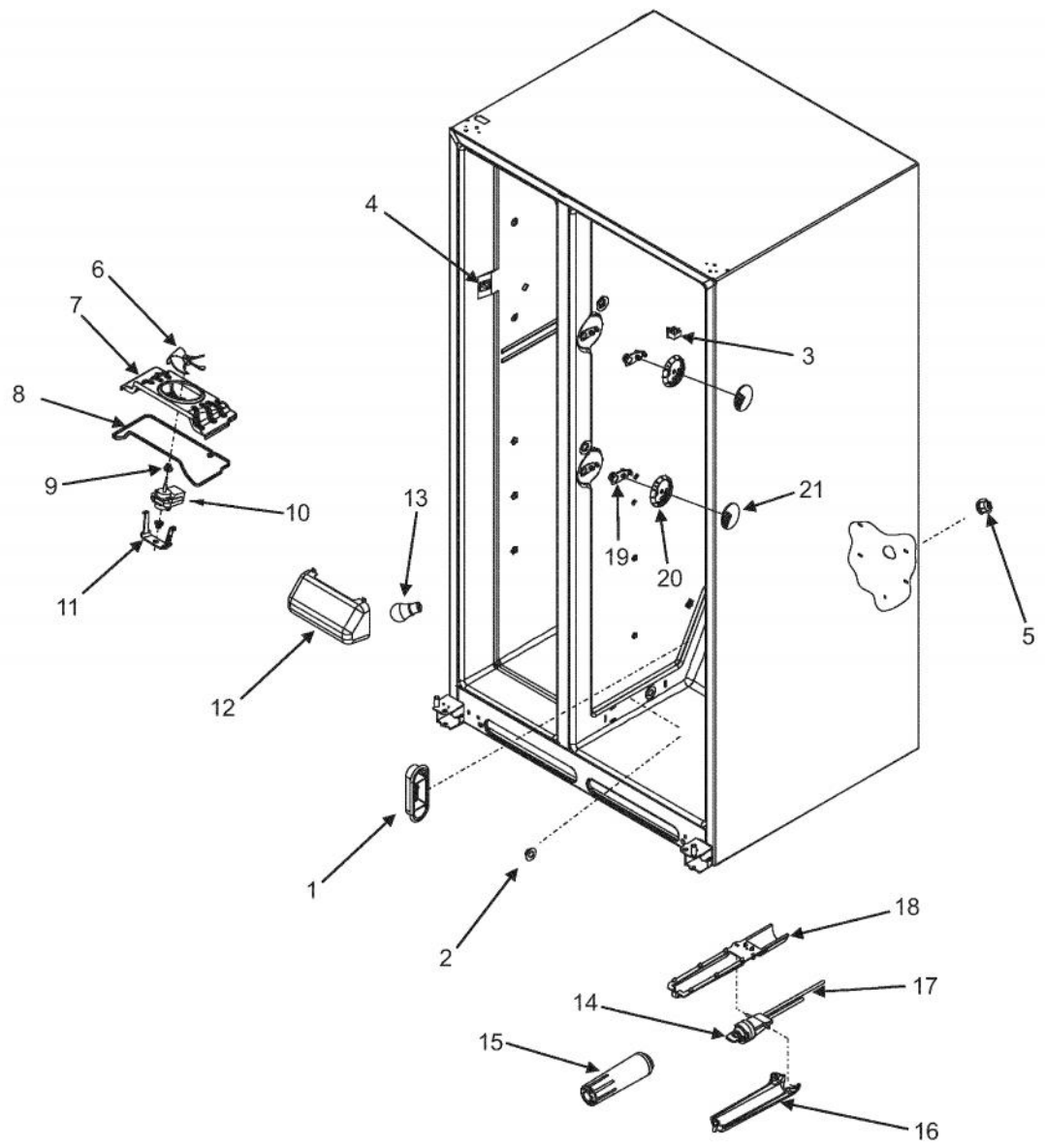
Ref #	Part Number	Qty.	Description
1	PS400304		REFRIGERATOR SHELF (67006760)
2	PS400305		RAIL (LEFT AND RIGHT) (67003840)
3	PS400306		SCREW, RAIL (M0211016)
4	PS400307		REFRIGERATOR SHELF (67006882)
5	PS400224		SCREW, PIVOT BLOCK (489355)
6	PS400308		SEAL, CRISPER FRAME (REAR) (67004305)
7	PS400309		FRAME, CRISPER (67004307)
8	PS400310		ROLLER, CRISPER FRAME (67004169)
9	PS400311		SCREW, ROLLER (67006692)
10	PS400312		SLIDE, CONTROL (WHITE) (67006690)
11	PS400313		PAN, SMALL CRISPER (67004304)
12	PS400314		FRONT, CRISPER PAN (67006691)
13	PS400315		ROLLER, PAN (67004133)
14	PS400316		PIN, ROLLER (67004174)



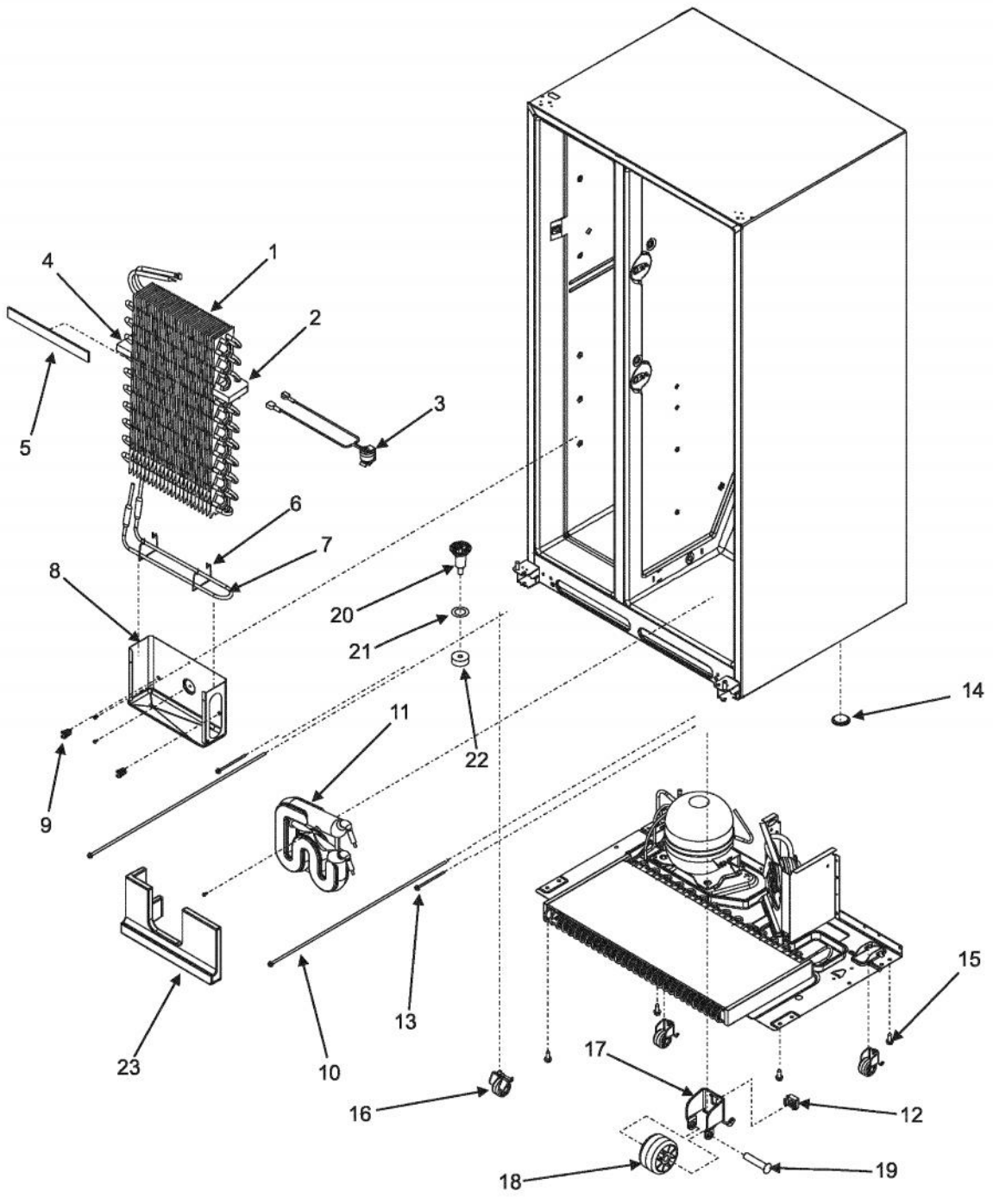
Ref #	Part Number	Qty.	Description
1	PS400317		SHELF, CRISPER TOP (67006880)
2	PS400318		SUPPORT, CRISPER FRAME (12603701)
3	PS400319		GLASS, MEAT SHELF (67004132)
4	PS400320		FRAME, CRISPER SHELF (67004140)
5	PS400310		ROLLER, CRISPER FRAME (67004169)
6	PS400311		SCREW, ROLLER (67006692)
7	PS400321		SLIDE, CONTROL (WHITE) (67004885)
8	PS400316		PIN, ROLLER (67004174)
9	PS400315		ROLLER, PAN (67004133)
10	PS400322		PAN, LARGE CRISPER (67005816)
11	PS400323		FRONT, LARGE CRISPER PAN (67006693)
12	PS400324		FRONT, MEAT PAN (67006694)
13	PS400325		PAN, MEAT (67005817)
14	PS400326		FRAME, MEAT SHELF (67004247)
15	PS400327		SEAL, CRISPER FRAME (REAR) (67004249)
16	PS400328		HOUSING, TEMPERATURE CONTROL (67006695)
17	PS400329		SLIDE, TEMPERATURE CONTROL (67004176)
18	PS400330		GASKET, TEMPERATURE CONTROL (67004177)



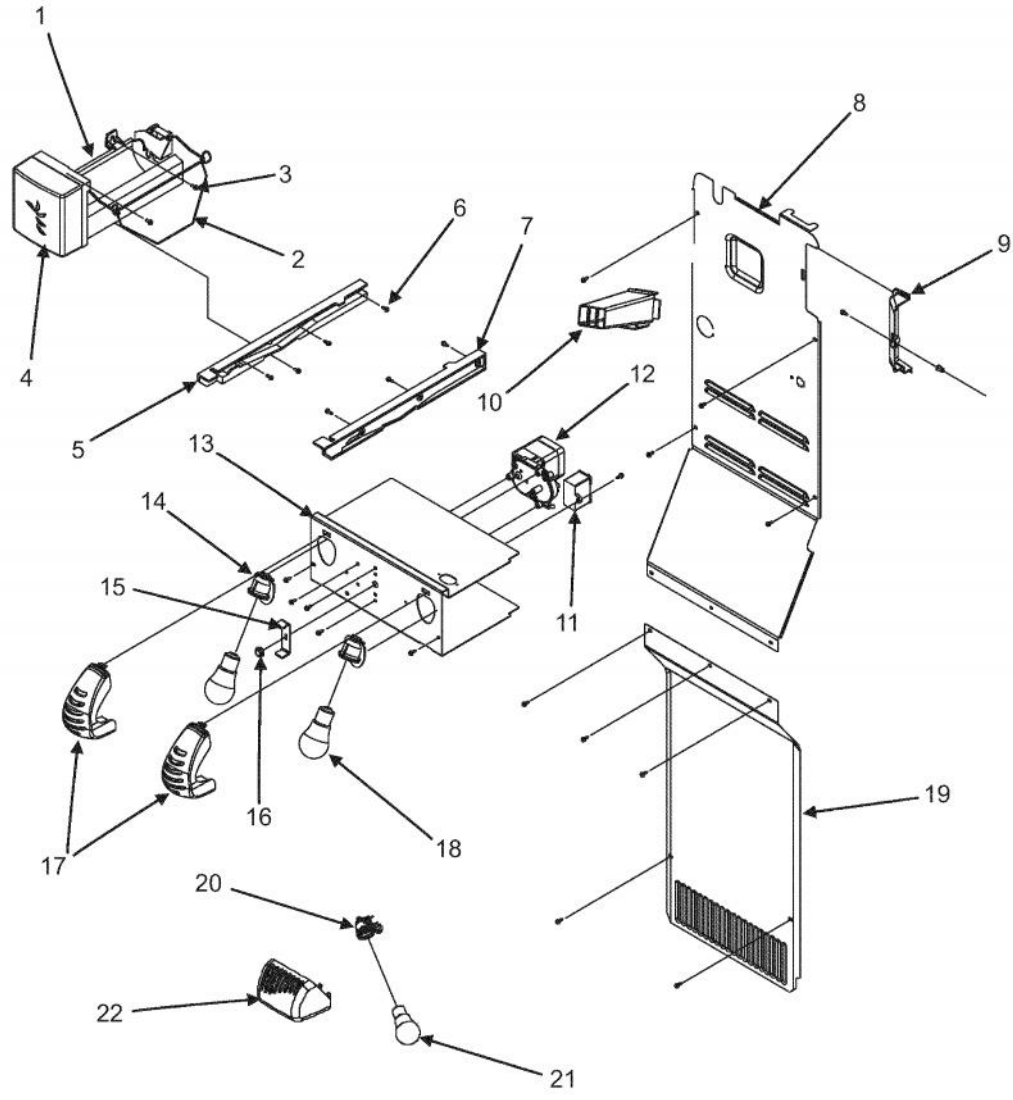
Ref #	Part Number	Qty.	Description
1	PS400331		SHELF, UPPER FREEZER (67003895)
2	PS400332		SUPPORT, FREEZER SHELF (C8973801)
3	PS400333		RAIL, BASKET - RIGHT (67004319)
4	PS400334		LOWER FREEZER SHELF (67004691)
5	PS400335		RAIL, BASKET - LEFT (67004317)
6	PS400336		LOWER FREEZER BASKET (67006235)
7	PS400337		UPPER FREEZER BASKET (67004318)



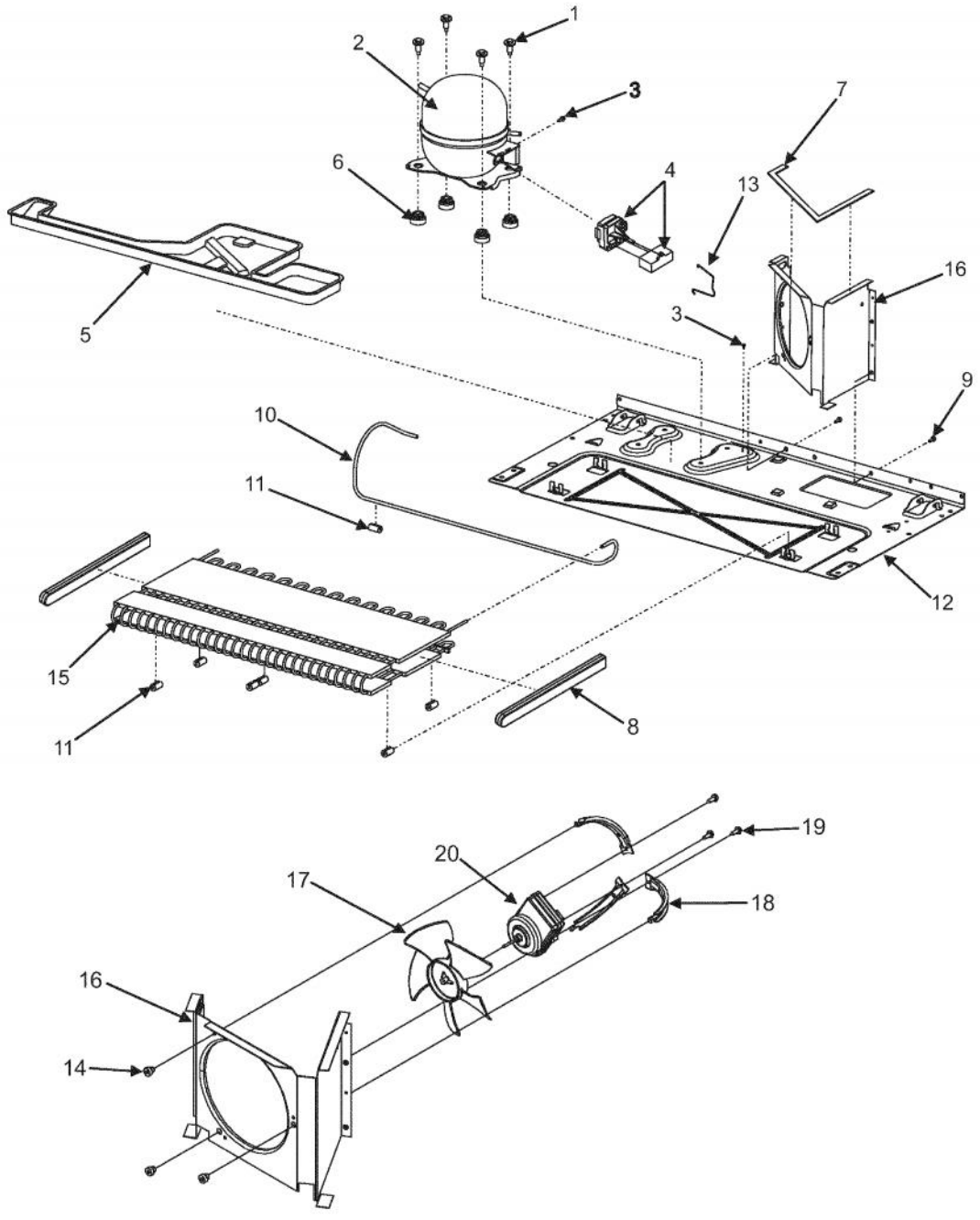
Ref #	Part Number	Qty.	Description
1	PS400338		GRILLE, RETURN AIR (12634801)
2	PS400339		PLUG, AIR TUNNEL (67005933)
3	PS400340		SWITCH, REFRIGERATOR LIGHT (12466104)
4	PS400341		SWITCH, LIGHT
5	PS400053		LIGHT SOCKET (12570701)
6	PS400142		FAN, EVAPORATOR
7	PS400342		SHROUD, EVAPORATOR FAN (67004253)
8	PS400343		GASKET, SHRPOUD (67001508)
9	PS400141		GROMMET, FAN MOTOR (67002780)
10	PS400139		MOTOR, EVAPORATOR FAN (67003636)
11	PS400140		CLIP, EVAPORATOR MOTOR (67005633)
12	PS400344		SHIELD, CRISPER LIGHT (67001507)
13	PS400054		LIGHT BULB (A0282812)
14	PS400345		PLUG, BYPASS (12664501)
15	SALES ITEM		WATER FILTER
16	PS400031		COVER, FILTER
17	PS400030		WATER FILTER HEAD (W/TUBING) (67006524)
18	PS400346		PLATE, FILTER BACKING (12688503)
19	PS400347		CLIP, CHILLER CONTROL (67002827)
20	PS4000348		CONTROL, CHILLER
21	PS400349		GRILLE, CHILLER CONTAINER (67006696)



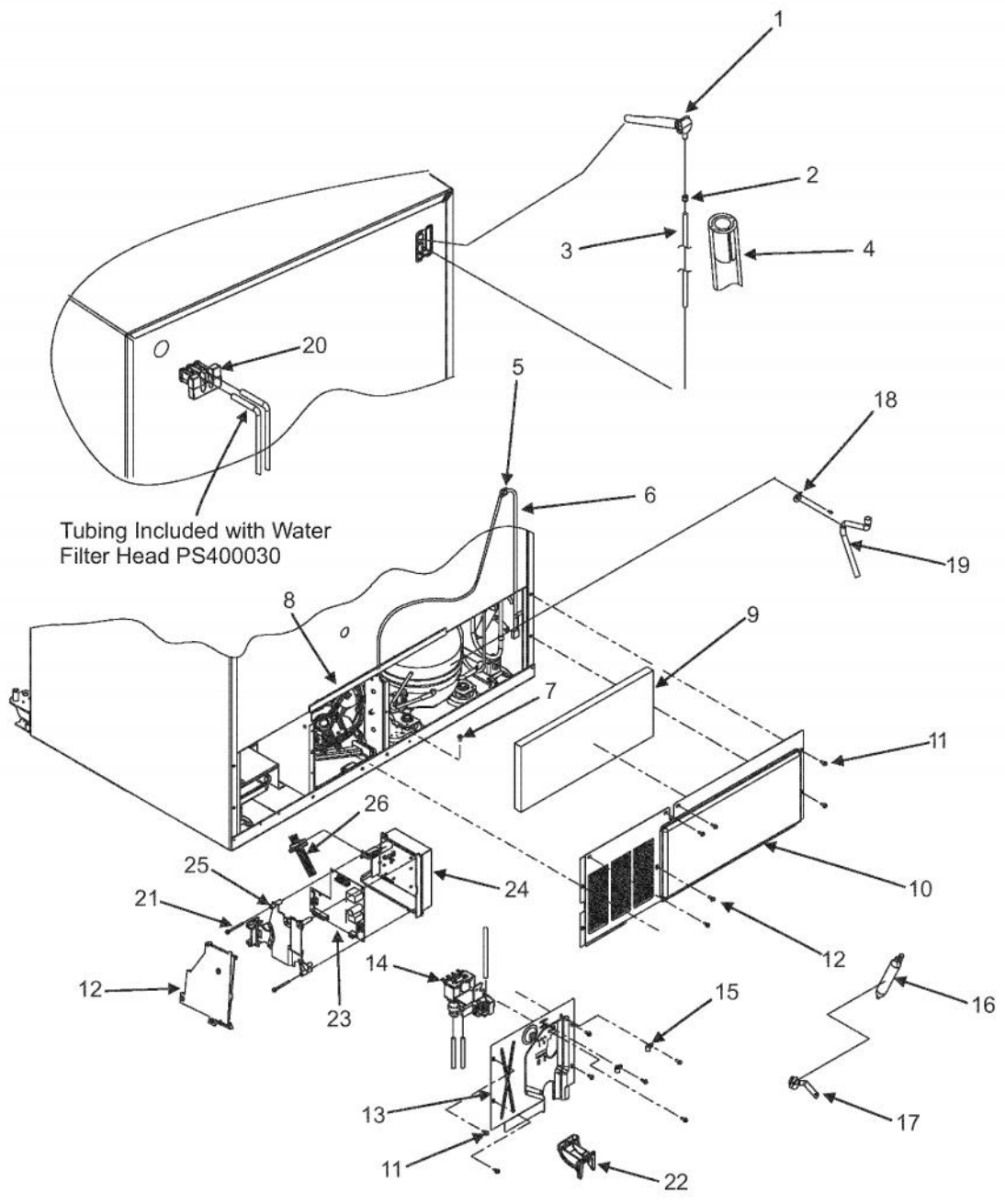
Ref #	Part Number	Qty.	Description
1	PS400350		EVAPORATOR KIT (INC. EVAP, HT. SHLD, & INST.) (12001940)
2	PS400351		BLOCK, AIR COIL (12590102)
3	PS400352		DEFROST THERMOSTAT (67005363)
NI	PS400353		THERMISTOR
4	PS400354		BLOCK, AIR COIL (LEFT) (12590101)
5	PS400355		GASKET, FOAM (67002226)
6	PS400137		CLIP, HEATER
7	PS400356		HEATER, EVAPORATOR (67004188)
8	PS400357		DRIP TRAY, EVAPORATOR (12558101WD)
NI	PS400358		SCREW, SMALL (M0224416)
9	PS400359		CLIP, EVAPORATOR (10623003)
10	PS400150		SCREW, ADJUSTING ROD (67006697)
11	PS400360		WATER TANK (R0131625)
12	PS400145		SPEED NUT (M0286708)
13	PS400361		BOLT, ADJUSTABLE ROLLER (67006611)
14	PS400097		PLUG, BUTTON
15	PS400130		SCREW (67006573)
16	PS400362		ROLLER BRACKET ASSEMBLY 12580304
17	PS400144		ROLLER BRACKET (12456801)
18	PS400146		ROLLER (67005127)
19	PS400147		RIVET (M1205302)
20	PS400414		FUNNEL, DRAIN (12456901)
21	PS400091		SEAL, O-RING
22	PS400090		GASKET, DRAIN TUBE
23	PS400363		BLOCK, WATER TANK (67004309)
NI	PS400364		HEATER / HARNESS, FREEZER (67005939)



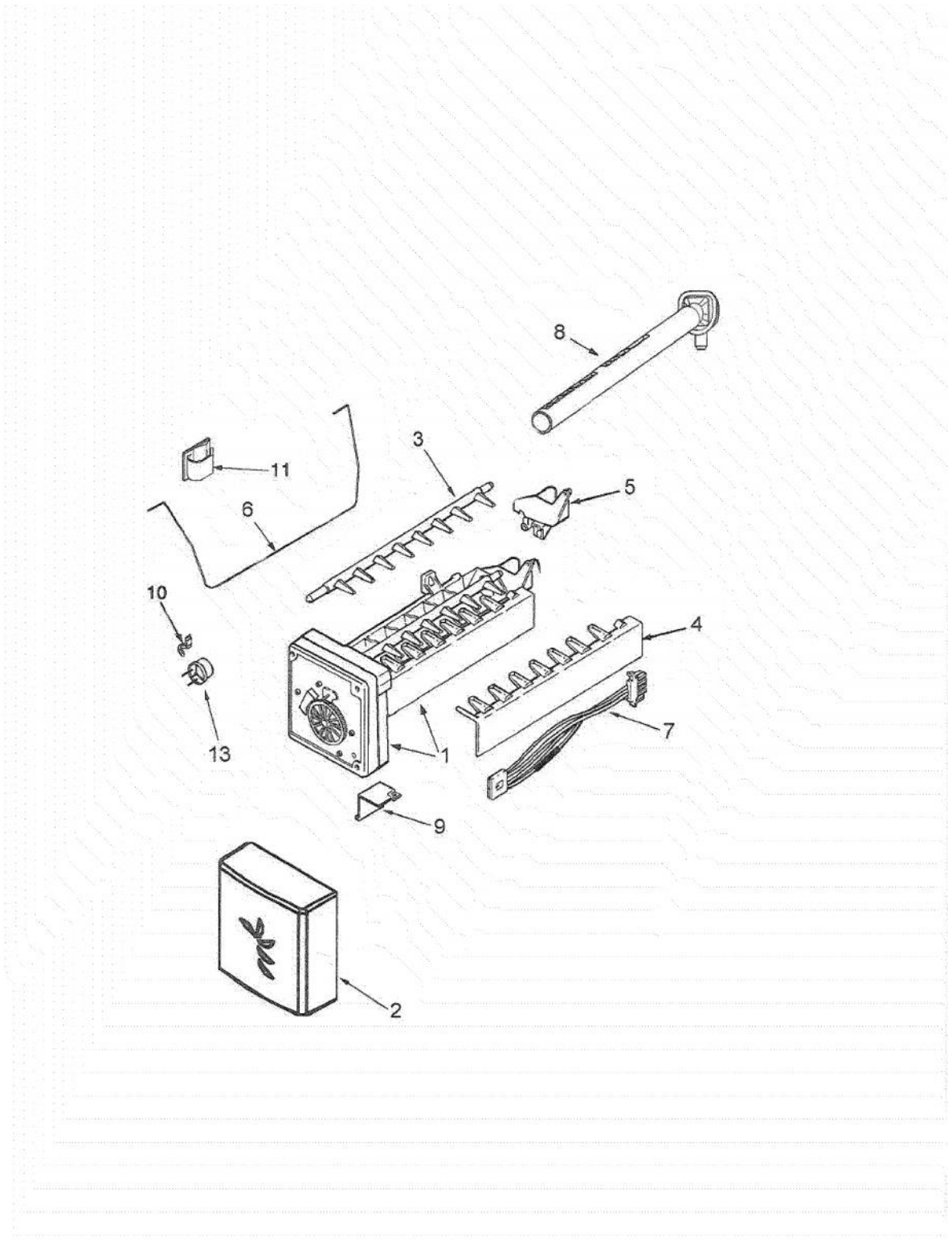
Ref #	Part Number	Qty.	Description
1	PS400196		ICE MAKER ASSEMBLY (INC. MOLD AND HEATER ASSEMBLY, ICE EJECTOR, ICE STRIPPER, WATER INLET, & THERMOSTAT BRACKET, ICE MAKER (67002823)
NI	PS400197		ICE MAKER ARM / WIRE (12671401)
2	PS400365		SCREW, ICE MAKER (67006698)
3	PS400366		WASHER, SCREW (67006699)
NI	PS400367		COVER, ICE MAKER
4	PS400368		GLIDE, FREEZER (LEFT) (67005375)
5	PS400369		SCREW, GLIDE (M0213530)
6	PS400370		GLIDE, FREEZER (RIGHT) (67004323)
7	PS400371		BACK, INNER FREEZER (67005524)
8	PS400372		SCREW, SMALL (67006425)
NI	PS400129		COVER, AIR SUPPLY (12583101)
9	PS400373		GROMMET, SCREW (M0580205)
NI	PS400290		SCREW, SMALL (67006425)
NI	PS400129		DUCT, QUICK ICE (67003581)
10	PS400374		CAPACITOR (C8931612)
11	PS400375		SCREW, HOUSING (67006530)
NI	PS400062		AUGER MOTOR (67003226)
12	PS400376		HARNESS, AUGER MOTOR (67005523)
NI	PS400377		SCREW, HOUSING (67006530)
NI	PS400062		COVER, AUGER MOTOR (67002887)
13	PS400378		SCREW, SMALL (67006425)
NI	PS400129		LIGHT SOCKET (12570701)
14	PS400053		DRIVER (10114901)
15	PS400379		NUT, LOCKING (M0223101)
16	PS400380		SHIELD, FREEZER LIGHT (67004433)
17	PS400381		LIGHT BULB (A0282812)
18	PS400054		COVER, EVAPORATOR (67004192)
19	PS400382		SCREW, SMALL (67006425)
NI	PS400129		LIGHT SOCKET (12570701)
20	PS400053		LIGHT BULB (A0282812)
21	PS400054		SHIELD, FREEZER LIGHT (67004135)
22	PS400383		



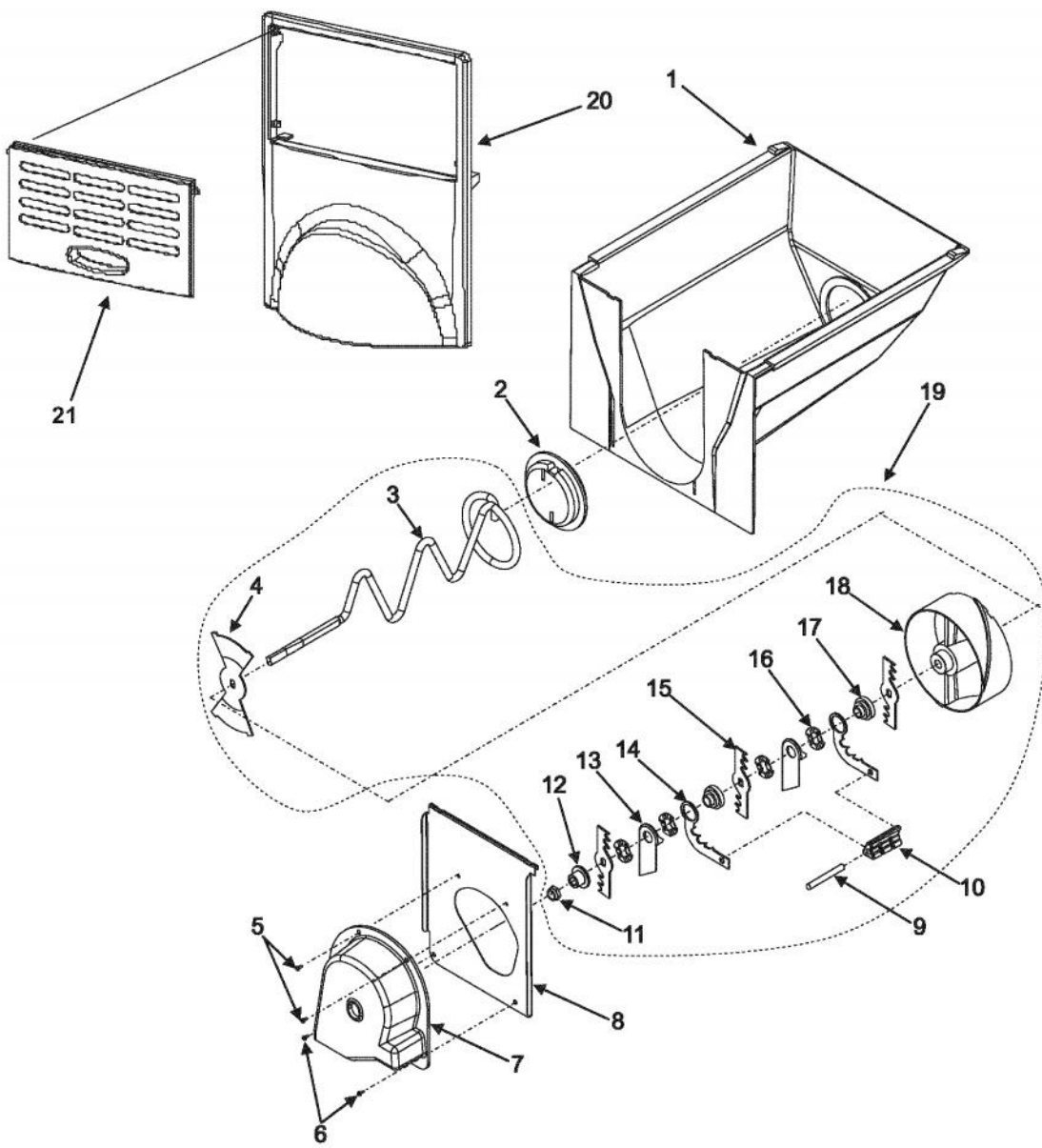
Ref #	Part Number	Qty.	Description
1	PS400153		SCREW, COMPRESSOR (67006432)
2	PS400384		COMPRESSOR KIT (W10160407)
3	PS400155		CAPACITOR, BALE STRAP, AND GROMMETS)
4	PS400156		GROUND SCREW (67006433)
5	PS400157		OVERLOAD AND RELAY W/CAPICITOR (67005560)
6	PS400158		DRAIN PAN (67007175)
7	PS400159		GROMMET, COMPRESSOR (67003493)
8	PS400385		SEAL, CONDENSER SHROUD (61003210)
9	PS400129		BLOCK, EPS CONDENSER (67002235)
10	PS400161		SCREW, SMALL (67006425)
11	PS400162		DISCHARGE TUBE (67004700)
12	PS400163		GROMMET CONDENSER (67005680)
13	PS400164		BASE PAN (67005889)
14	PS400165		BALE STRAP (12576801)
15	PS400166		GROMMET BRACKET (61004743)
16	PS400167		CONDENSER (67006131)
17	PS400168		SHROUD, CONDENSER FAN (67001090)
18	PS400169		BLADE, CONDENSER FAN (67004952)
19	PS400170		BRACKET, CONDENSER MOTOR (67004953)
20	PS400160		SCREW, BRACKT (67004954)
NI	PS400171		MOTOR, CONDENSER FAN (67004432)
			HARNESS, MC (67005435)



Ref #	Part Number	Qty.	Description
1	PS400386		ELBOW, FILL TUBE (67003579)
2	PS400181		CLIP, SPEED (M0114003)
3	PS400387		PLASTIC TUBE (B5705307)
4	PS400178		INSERT, TUBE
5	PS400180		CLIP
6	PS400195		POWER CORD (67006506)
7	PS400155		GROUND SCREW (67006433)
8	PS400175		GASKET
9	PS400186		ACOUSTIC FIBER (67003796)
10	PS400172		COVER, MC BACK (67006101)
11	PS400129		SCREW, SMALL (67006425)
12	PS400189		COVER, HV BOX (67005421)
NI	PS400190		SCREW, HV BOX COVER (67006615)
13	PS400173		COVER, WATER VALVE (67004098)
14	PS400179		DUAL WATER VALVE (67006531)
15	PS400182		CLAMP, TUBE
16	PS400132		DRIER (B2150504)
17	PS400131		CLIP, DRIER (10547002)
18	PS400388		CLAMP (67006700)
NI	PS400190		SCREW, HV BOX COVER (67006615)
19	PS400389		DRAIN TUBE (12580401)
20	PS400176		BLOCK, FILTER (67004092)
21	PS400184		SCREW, HV BOX (67006550)
22	PS400187		DUAL TUBE SWEEP (67004101)
23	PS400390		BOARD, HV CONTROL (INC. INSTRUCTION SHEET) (W10207...
24	PS400192		BOX, HV CONTROL (67004969)
25	PS400193		SPACER, HV BOX (67005418)
26	PS4000391		HARNESS, HV BOARD
NI	PS400188		WATERLINE TRACK (67004102)



Ref #	Part Number	Qty.	Description
1	PS400196		ICE MAKER ASSEMBLY (INC. MOLD AND HEATER ASSEMBLY, ICE EJECTOR, ICE STRIPPER, WATER INLET, & THERMOSTAT BRACKET, ICE MAKER (67002823)
NI	PS400197		SCREW, ICE MAKER (67006698)
NI	PS400366		COVER, ICE MAKER
2	PS400368		ICE EJECTOR
3	PS400199		ICE STRIPPER
4	PS400200		WATER INLET (95100-1)
5	PS400201		ICE MAKER ARM / WIRE (12671401)
6	PS400365		HARNESS, ICE MAKER (W10146387)
7	PS400392		ELBOW, FILL TUBE (67003579)
8	PS400386		BRACKET, MODULE AND HEATER (95107-1)
9	PS400204		SCREW, BRACKET (95108-1)
NI	PS400205		RETAINER, THERMOSTAST (95104-1)
10	PS400206		CLIP
11	PS400180		THERMOSTAT (95092-1)
12	PS400393		CEMENT (95093-1)
NI	PS400394		COUPLING (10244904)
NI	PS400208		ICE MAKER HOOK UP KIT (R0131235)
NI	PS400209		(INC. 1/4" X 25" COPPER TUBE, NON-PIERCING SADDLE VALVE, & 1/4" COMPRESSION NUT & SLEEVE)



Ref #	Part Number	Qty.	Description
1	PS400395		BUCKET, ICE CRUSHER (67005959)
2	PS400396		CAP, HELIX END (D7749401)
3	PS400397		ICE AGITATOR (10114401)
4	PS400398		BAR, ICE CRUSH BUCKET (10113801)
5	PS400399		SCREW, HEX HEAD (67006508)
6	PS400129		SCREW, SMALL (67006425)
7	PS400400		COVER, BLADE (67002271)
8	PS400401		FRONT, ICE CRUSHER (10115001)
9	PS400402		ROLL PIN (M1200108)
10	PS400403		BLADE, ANCHOR (10114101)
11	PS400380		NUT, LOCKING (M0223101)
12	PS400404		SPACER, COVER (10113901)
13	PS400405		DAMPER, ICE (10275201)
14	PS400406		STATIC BLADE (10114601)
15	PS400407		ROTATING BLADE (10114501)
16	PS400408		WASHER, WAVED (10275101)
17	PS400409		WASHER, STEPPED (10114301)
18	PS400410		WHEEL, CRUSHED ICE (67002052)
19	PS400411		CRUSHED ICE AGITATOR ASSEMBLY (12740302)
20	PS400412		COVER, ICE BUCKET (67004255)
21	PS400413		DOOR, ICE BUCKET (67004358)