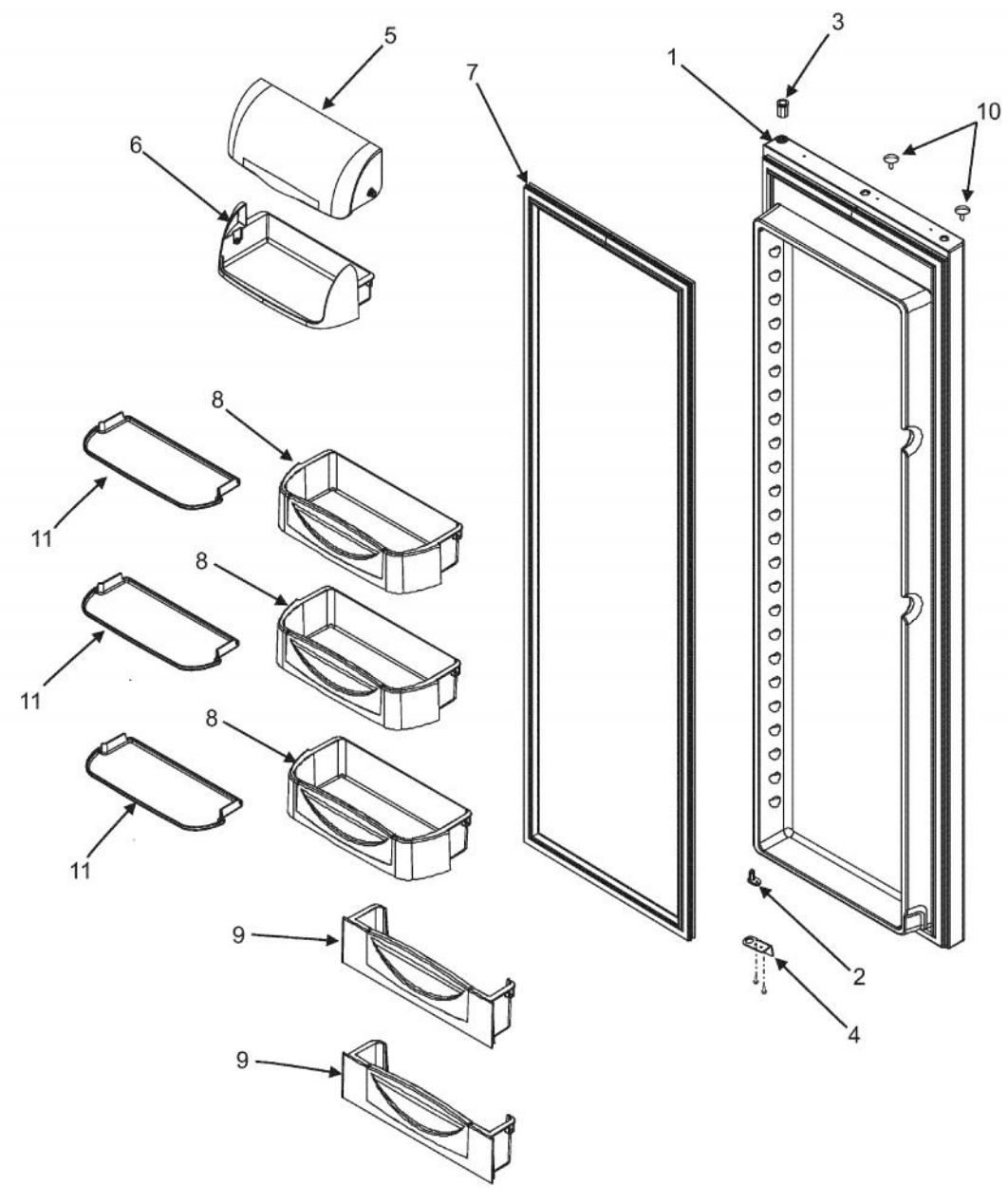
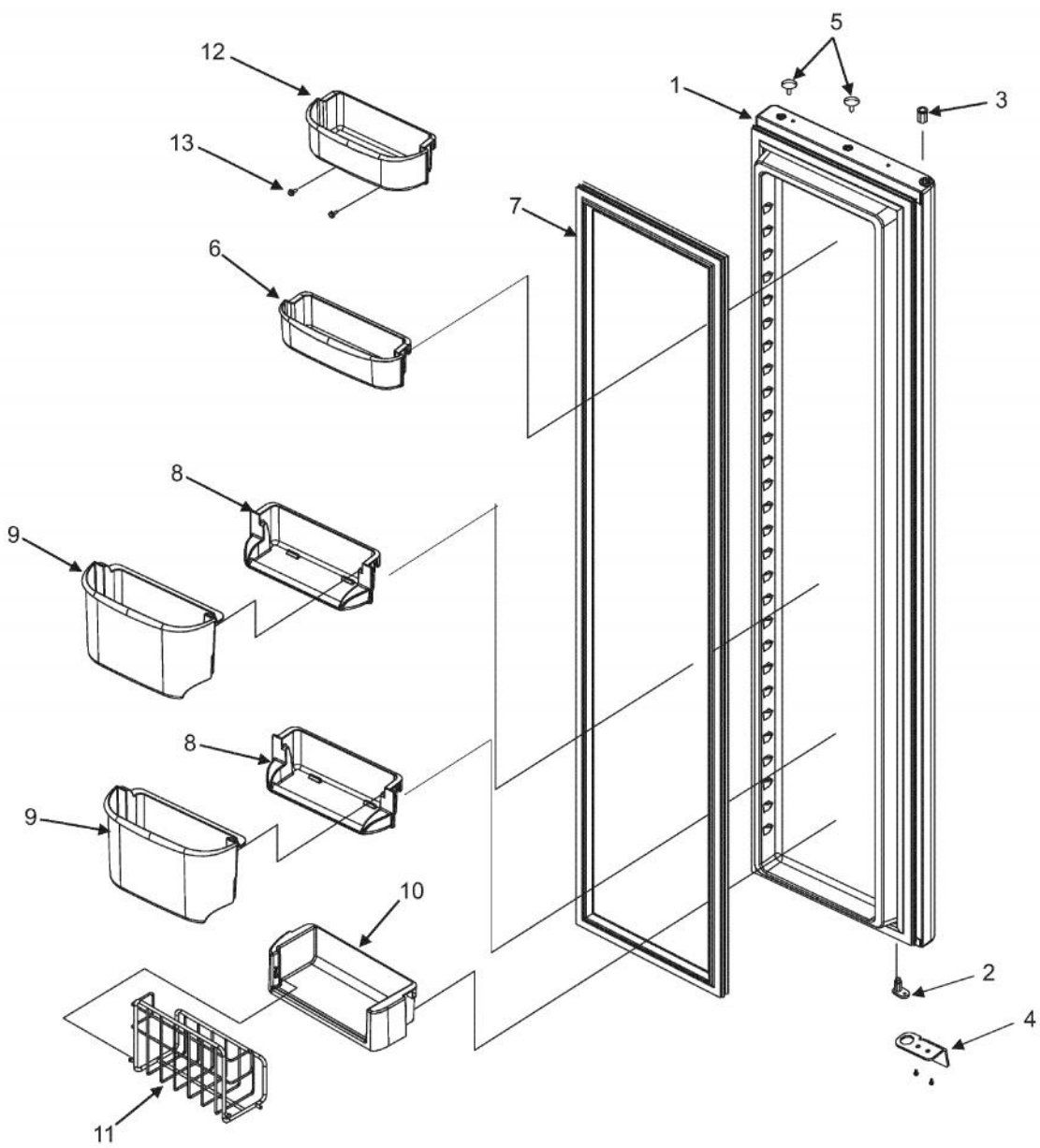


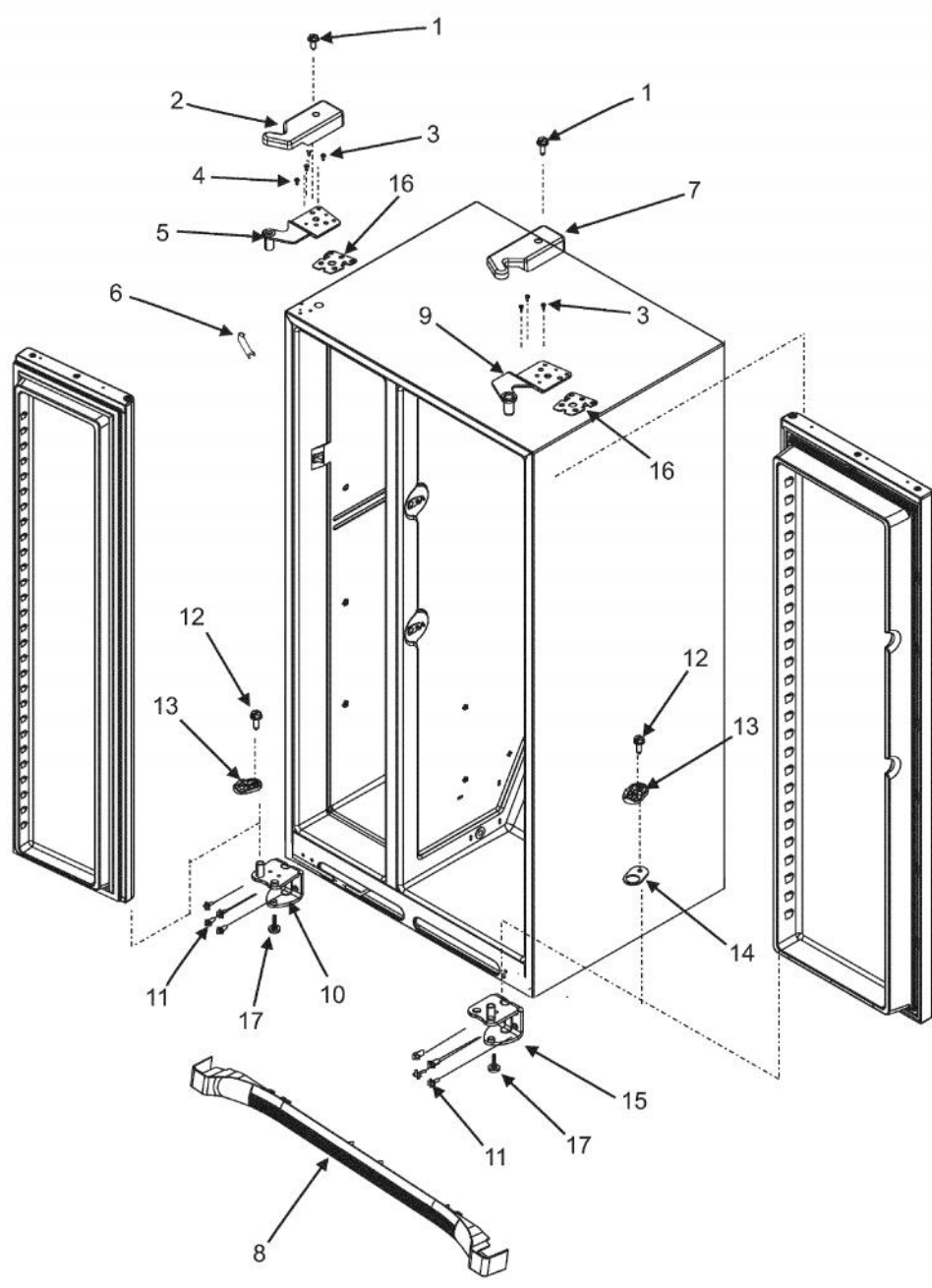
| Ref # | Part Number | Qty. | Description |
|-------|-------------|------|---|
| 1 | PE030188 | | DESIGNER HANDLE REF-OUTSOURCED 67006725 |
| 2 | PS400004 | | STUD, HANDLE (67002936) |
| 3 | PS400003 | | SCREW, HANDLE (3387230) |
| 4 | PE010195 | | NAMEPLATE LOGO DES |



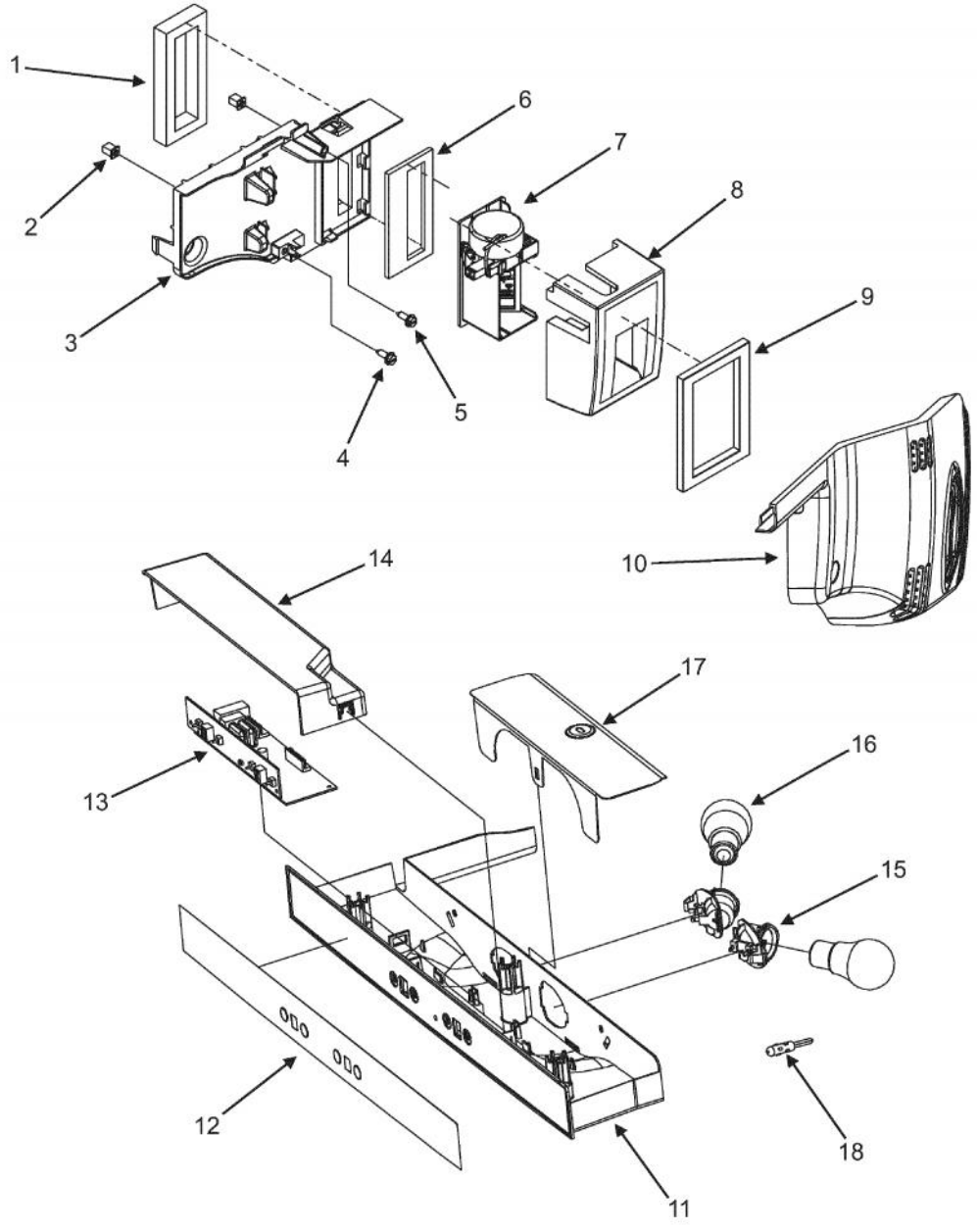
| Ref # | Part Number | Qty. | Description |
|-------|-------------|------|---|
| 1 | PS400240 | | REFRIGERATOR DOOR ASSEMBLY (SS) (12818242SQ |
| 2 | PS400241 | | DOOR CLOSURE (67006134) |
| 3 | PS400242 | | DOOR BUSHING (BLACK) (67004976) |
| 4 | PS400243 | | DOOR STOP (67007017) |
| NI | PS400244 | | SCREW, DOOR STOP (67006672) |
| 5 | PS400245 | | DAIRY DOOR (67002957) |
| 6 | PS400246 | | DAIRY TRAY (67002304) |
| 7 | PS400247 | | GASKET, REFRIGERATOR DOOR (67003965) |
| 8 | PS400248 | | BUCKET ASSEMBLY (INC. GRIPPER) 67006674 |
| 9 | PS400249 | | BUCKET, REFRIGERATOR DOOR (67004285) |
| 10 | PS400250 | | PLUG, BUTTON (M0311607) |
| 11 | PS400251 | | GRIPPER (67006673) |



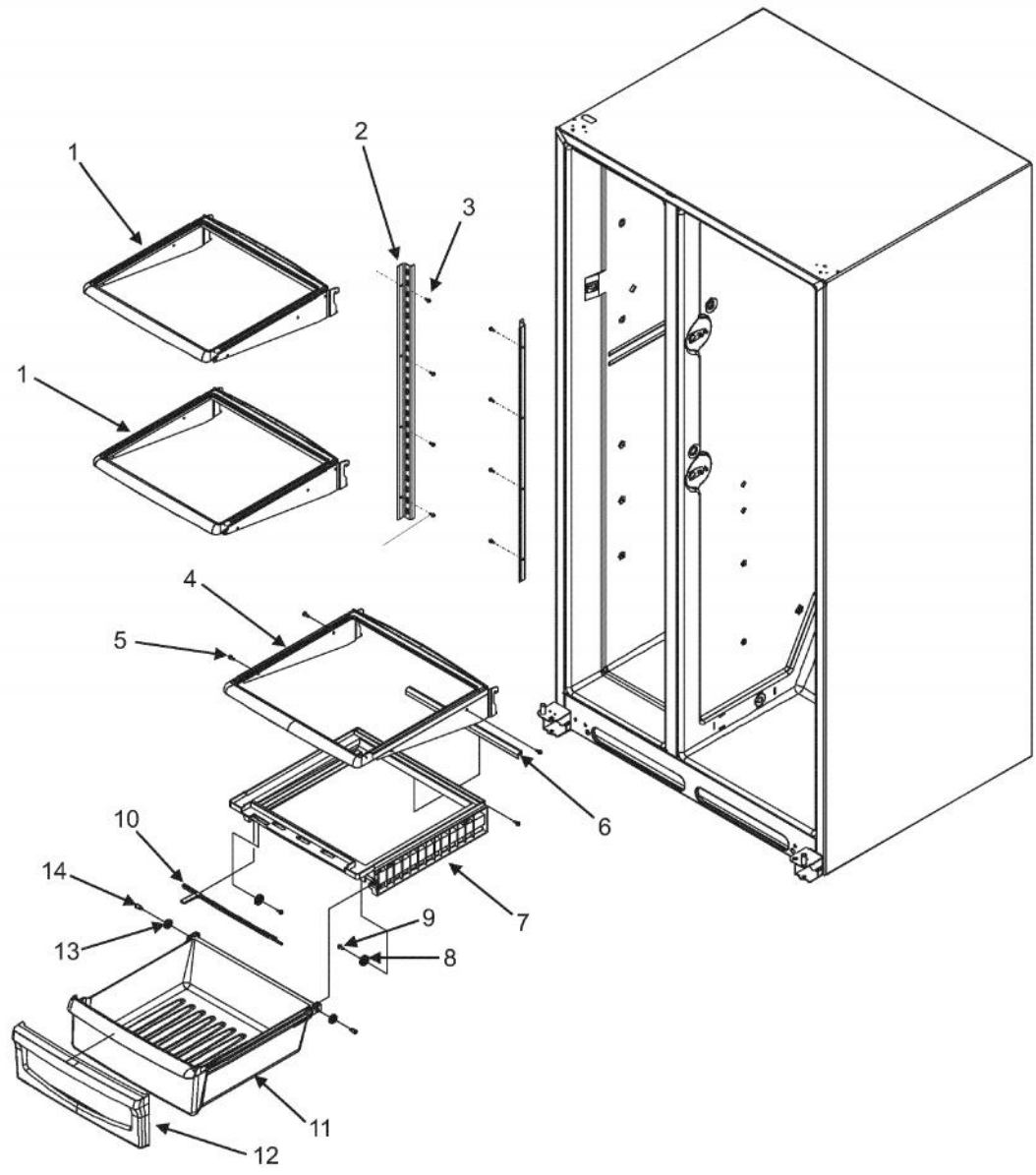
| Ref # | Part Number | Qty. | Description |
|-------|-------------|------|---------------------------------------|
| 1 | PS400418 | | FREEZER DOOR ASSEMBLY (SS) (67006777) |
| 2 | PS400241 | | DOOR CLOSURE (67006134) |
| 3 | PS400419 | | DOOR BUSHING (BLACK) (67004627) |
| 4 | PS400254 | | DOOR STOP (67006518) |
| NI | PS400244 | | SCREW, DOOR STOP (67006672) |
| 5 | PS400250 | | PLUG, BUTTON (M0311607) |
| 6 | PS400433 | | BUCKET, LOWER FREEZER DOOR 12557501 |
| 7 | PS400256 | | GASKET, FREEZER DOOR (67003967) |
| 8 | PS400257 | | FRAME, TILT BUCKET (67004291) |
| 9 | PS400258 | | TILT BUCKET (67004290) |
| 10 | PS400259 | | FRAME, TILT BASKET (67004475) |
| 11 | PS400260 | | TILT BASKET (67005630) |
| 12 | PS400420 | | BUCKET, FREEZER DOOR (12664901) |
| 13 | PS400421 | | SCREW, BUCKET (67006750) |



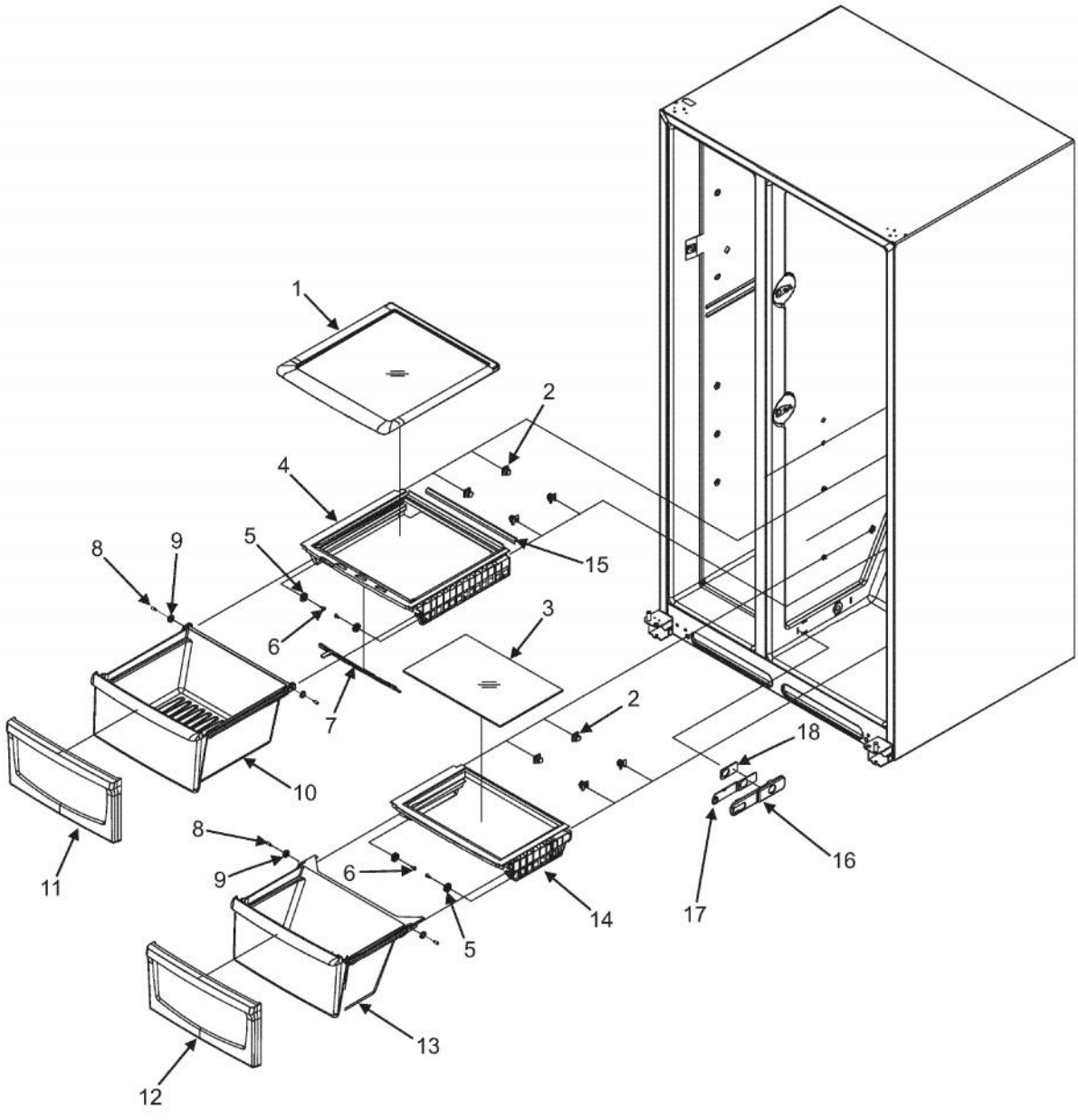
| Ref # | Part Number | Qty. | Description |
|-------|-------------|------|-----------------------------------|
| 1 | PS400015 | | SCREW, TOP HINGE COVER (67006521) |
| 2 | PS400218 | | COVER, TOP HINGE 67006726 |
| 3 | PS400013 | | SCREW, DOOR STOP (67006287) |
| 4 | PS400280 | | SCREW (67006487) |
| 5 | PS400217 | | TOP HINGE 12626908 |
| 6 | PS400094 | | CORNER COVER (67003485) |
| 7 | PS400008 | | COVER, RIGHT HINGE, BLACK |
| 8 | PS400288 | | TOE GRILLE (67006687) |
| 9 | PS400006 | | HINGE, TOP RIGHT |
| 10 | PS400281 | | BOTTOM HINGE (67007007) |
| 11 | PS400282 | | SCREW, BOTTOM HINGE (67006564) |
| 12 | PS400283 | | SCREW, CLOSURE (67006492) |
| 13 | PS400284 | | DOOR CLOSURE (67006493) |
| 14 | PS400285 | | SHIM, CLOSURE (67005716) |
| 15 | PS400286 | | BOTTOM HINGE (67007008) |
| 16 | PS400287 | | SHIM, TOP HINGE (12695601) |
| 17 | PS400102 | | BRAKE, FOOT (67003868) |



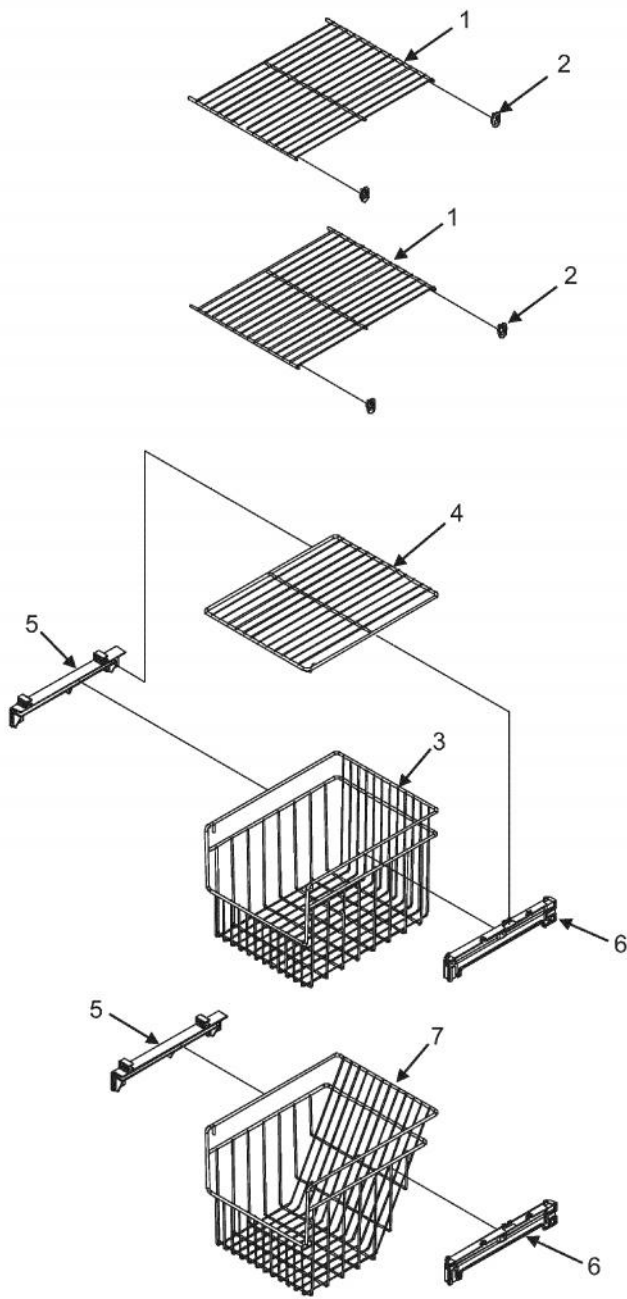
| Ref # | Part Number | Qty. | Description |
|-------|-------------|------|--|
| 1 | PS400289 | | GASKET, DAMPER (67004031) |
| 2 | PS400290 | | GROMMET, SCREW (M0580205) |
| 3 | PS400291 | | BRACKET, ELECTRONIC CONTROL (67004447) |
| 4 | PS400013 | | SCREW, DOOR STOP (67006287) |
| 5 | PS400292 | | SCREW, BRACKET (67006688) |
| 6 | PS400293 | | GASKET, DAMPER (12582801) |
| 7 | PS400294 | | DAMPER, ELECTRONIC CONTROL (67006249) |
| 8 | PS400295 | | INSULATION DAMPER (67006522) |
| 9 | PS400296 | | GASKET, CONTROL COVER (67006495) |
| 10 | PS400297 | | COVER, ELECTRONIC CONTROL (W10207714) |
| 11 | PS400298 | | HOUSING, CONTROL (67005478) |
| 12 | PS400417 | | OVERLAY (67006751) |
| 13 | PS400048 | | CONTROL BOARD (W10207861) |
| 14 | PS400300 | | COVER, CONTROL BOARD (67004750) |
| 15 | PS400053 | | LIGHT SOCKET (12570701) |
| 16 | PS400054 | | LIGHT BULB (A0282812) |
| 17 | PS400301 | | REFLECTOR, LIGHT (67005038) |
| 18 | PS400063 | | THERMISTOR |
| NI | PS400302 | | PLUG, BUTTON (67002417) |
| NI | PS400303 | | HARNESS, CONTROL (67006548) |



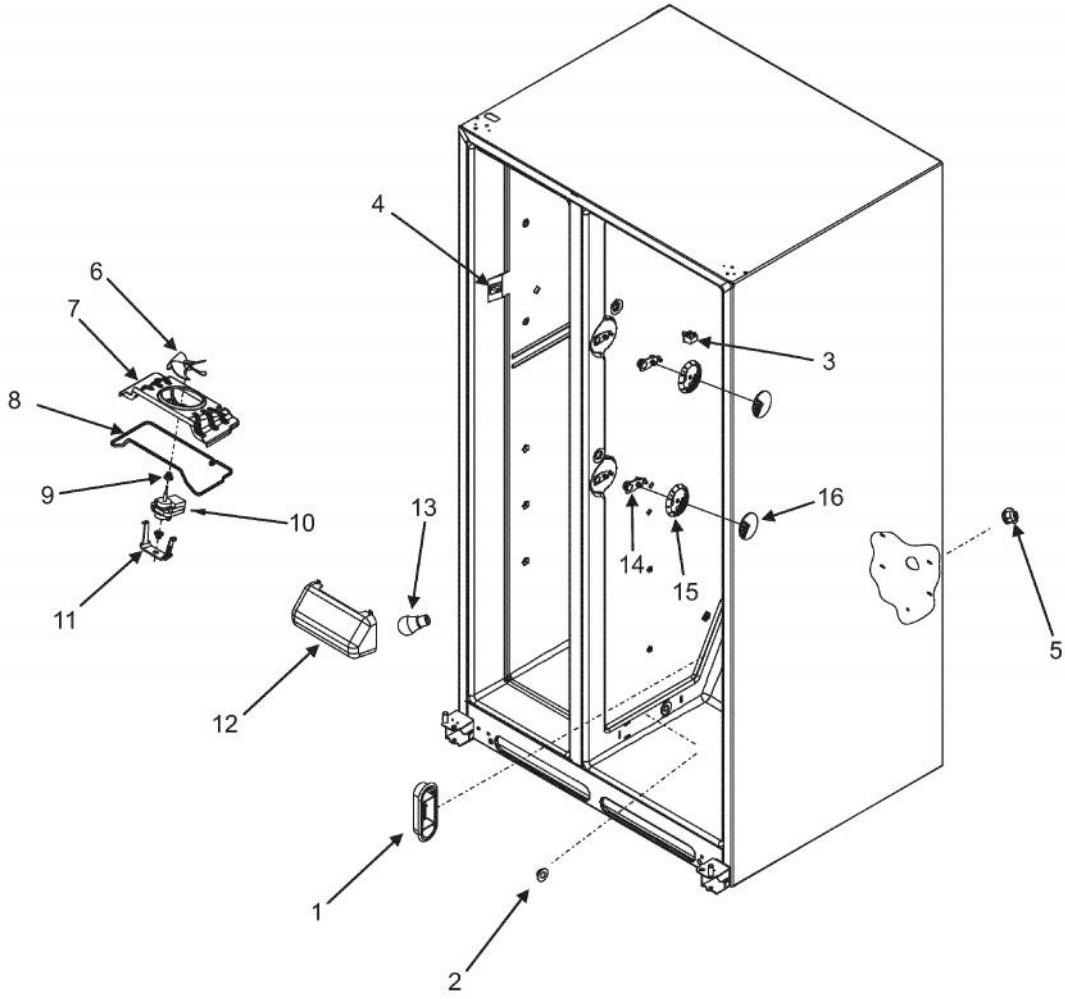
| Ref # | Part Number | Qty. | Description |
|-------|-------------|------|---------------------------------------|
| 1 | PS400304 | | REFRIGERATOR SHELF (67006760) |
| 2 | PS400305 | | RAIL (LEFT AND RIGHT) (67003840) |
| 3 | PS400306 | | SCREW, RAIL (M0211016) |
| 4 | PS400307 | | REFRIGERATOR SHELF (67006882) |
| 5 | PS400224 | | SCREW, PIVOT BLOCK (489355) |
| 6 | PS400308 | | SEAL, CRISPER FRAME (REAR) (67004305) |
| 7 | PS400309 | | FRAME, CRISPER (67004307) |
| 8 | PS400310 | | ROLLER, CRISPER FRAME (67004169) |
| 9 | PS400311 | | SCREW, ROLLER (67006692) |
| 10 | PS400312 | | SLIDE, CONTROL (WHITE) (67006690) |
| 11 | PS400313 | | PAN, SMALL CRISPER (67004304) |
| 12 | PS400314 | | FRONT, CRISPER PAN (67006691) |
| 13 | PS400315 | | ROLLER, PAN (67004133) |
| 14 | PS400316 | | PIN, ROLLER (67004174) |



| Ref # | Part Number | Qty. | Description |
|-------|-------------|------|---|
| 1 | PS400317 | | SHELF, CRISPER TOP (67006880) |
| 2 | PS400318 | | SUPPORT, CRISPER FRAME (12603701) |
| 3 | PS400319 | | GLASS, MEAT SHELF (67004132) |
| 4 | PS400320 | | FRAME, CRISPER SHELF (67004140) |
| 5 | PS400310 | | ROLLER, CRISPER FRAME (67004169) |
| 6 | PS400311 | | SCREW, ROLLER (67006692) |
| 7 | PS400321 | | SLIDE, CONTROL (WHITE) (67004885) |
| 8 | PS400316 | | PIN, ROLLER (67004174) |
| 9 | PS400315 | | ROLLER, PAN (67004133) |
| 10 | PS400322 | | PAN, LARGE CRISPER (67005816) |
| 11 | PS400323 | | FRONT, LARGE CRISPER PAN (67006693) |
| 12 | PS400324 | | FRONT, MEAT PAN (67006694) |
| 13 | PS400325 | | PAN, MEAT (67005817) |
| 14 | PS400326 | | FRAME, MEAT SHELF (67004247) |
| 15 | PS400327 | | SEAL, CRISPER FRAME (REAR) (67004249) |
| 16 | PS400328 | | HOUSING, TEMPERATURE CONTROL (67006695) |
| 17 | PS400329 | | SLIDE, TEMPERATURE CONTROL (67004176) |
| 18 | PS400330 | | GASKET, TEMPERATURE CONTROL (67004177) |

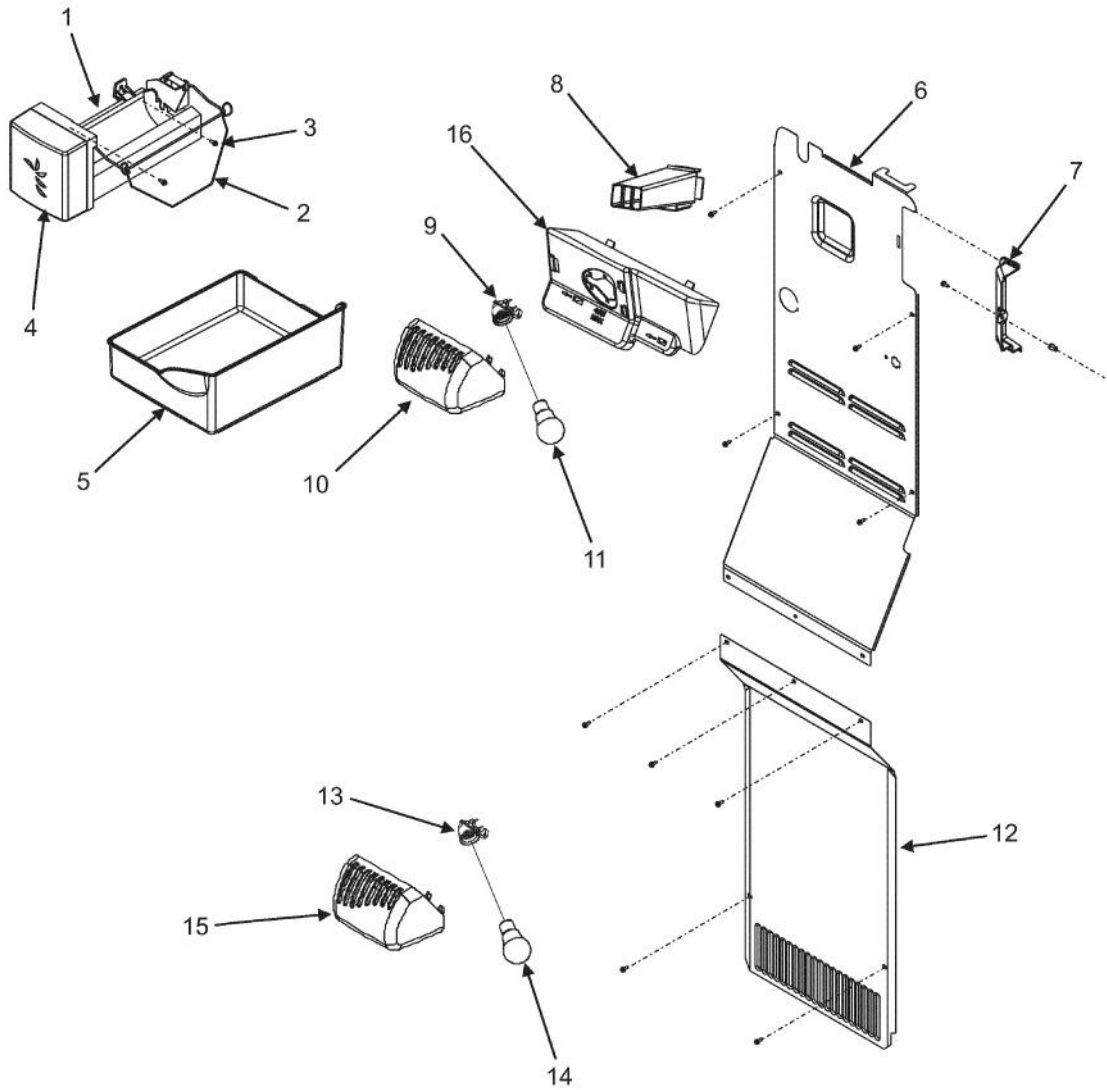


| Ref # | Part Number | Qty. | Description |
|-------|-------------|------|-----------------------------------|
| 1 | PS400331 | | SHELF, UPPER FREEZER (67003895) |
| 2 | PS400332 | | SUPPORT, FREEZER SHELF (C8973801) |
| 3 | PS400337 | | UPPER FREEZER BASKET (67004318) |
| 4 | PS400334 | | LOWER FREEZER SHELF (67004691) |
| 5 | PS400335 | | RAIL, BASKET - LEFT (67004317) |
| 6 | PS400333 | | RAIL, BASKET - RIGHT (67004319) |
| 7 | PS400336 | | LOWER FREEZER BASKET (67006235) |

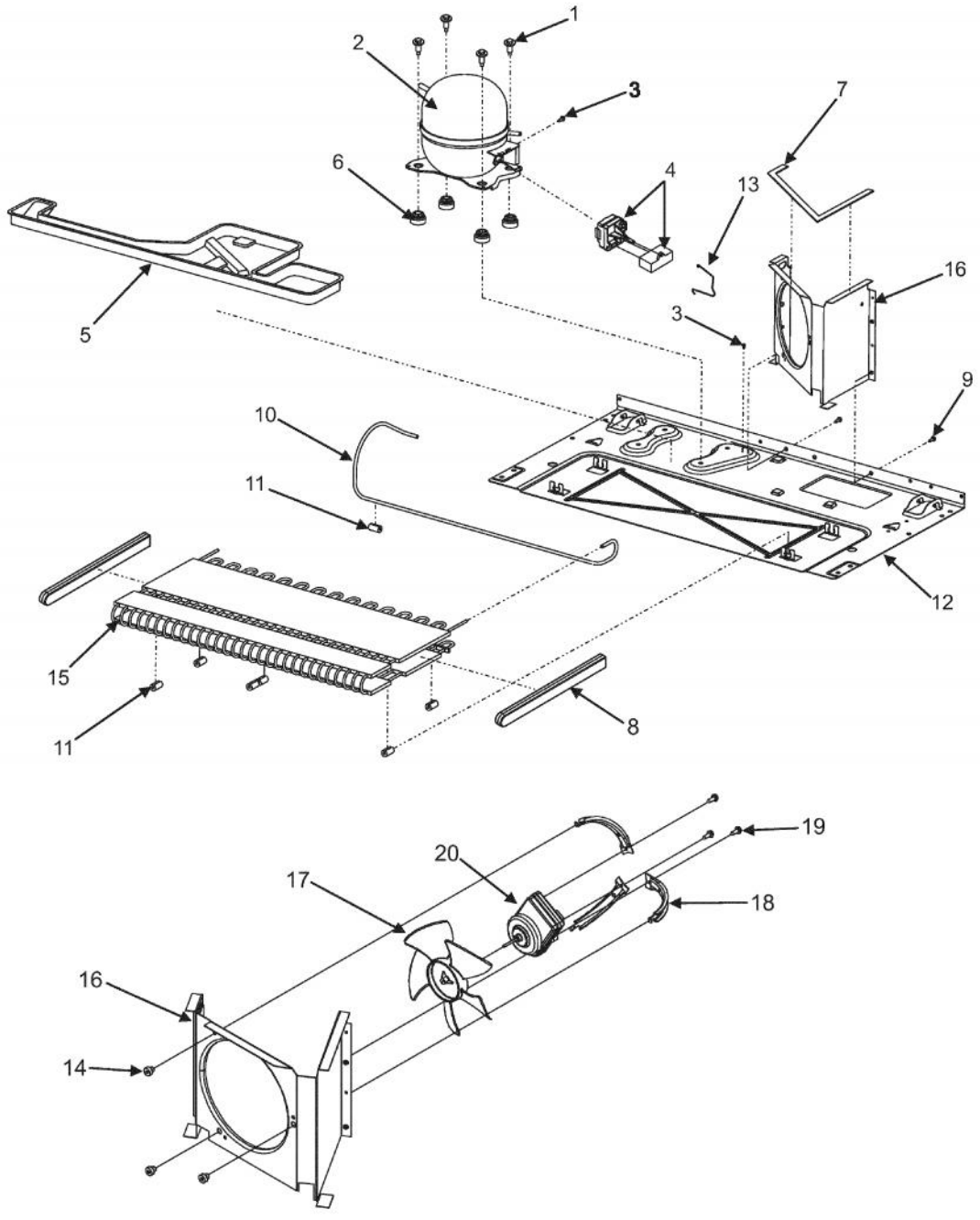


| Ref # | Part Number | Qty. | Description |
|-------|-------------|------|---------------------------------------|
| 1 | PS400338 | | GRILLE, RETURN AIR (12634801) |
| 2 | PS400339 | | PLUG, AIR TUNNEL (67005933) |
| 3 | PS400340 | | SWITCH, REFRIGERATOR LIGHT (12466104) |
| 4 | PS400341 | | SWITCH, LIGHT |
| 5 | PS400053 | | LIGHT SOCKET (12570701) |
| 6 | PS400142 | | FAN, EVAPORATOR |
| 7 | PS400342 | | SHROUD, EVAPORATOR FAN (67004253) |
| 8 | PS400343 | | GASKET, SHRPOUD (67001508) |
| 9 | PS400141 | | GROMMET, FAN MOTOR (67002780) |
| 10 | PS400139 | | MOTOR, EVAPORATOR FAN (67003636) |
| 11 | PS400140 | | CLIP, EVAPORATOR MOTOR (67005633) |
| 12 | PS400344 | | SHIELD, CRISPER LIGHT (67001507) |
| 13 | PS400054 | | LIGHT BULB (A0282812) |
| 14 | PS400347 | | CLIP, CHILLER CONTROL (67002827) |
| 15 | PS400348 | | CONTROL, CHILLER (67002225) |
| 16 | PS400349 | | GRILLE, CHILLER CONTAINER (67006696) |

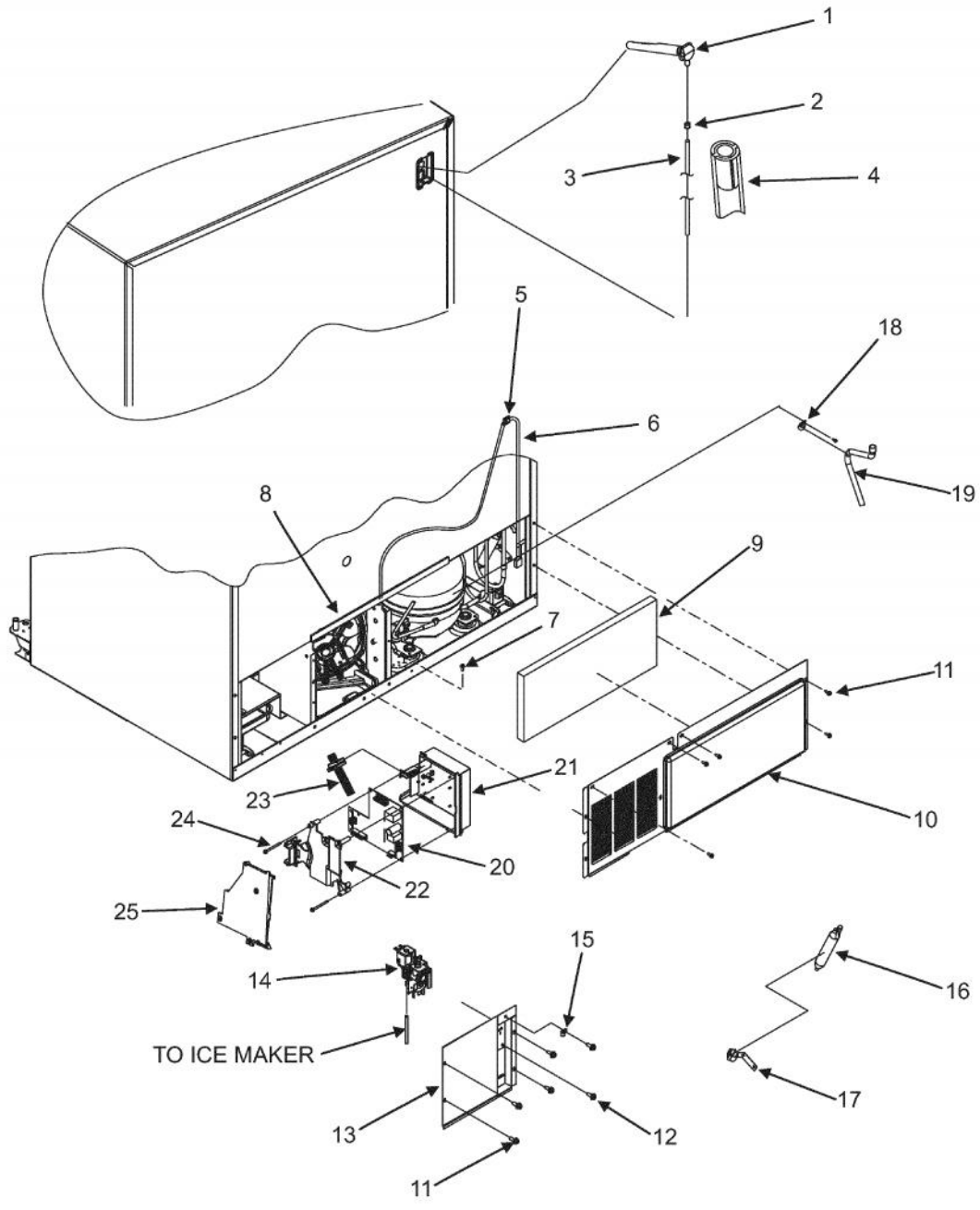
| Ref # | Part Number | Qty. | Description |
|-------|-------------|------|--|
| 1 | PS400350 | | EVAPORATOR KIT (INC. EVAP, HT. SHLD, & INST.) (12001940) |
| 2 | PS400351 | | BLOCK, AIR COIL (12590102) |
| 3 | PS400352 | | DEFROST THERMOSTAT (67005363) |
| NI | PS400353 | | THERMISTOR |
| 4 | PS400354 | | BLOCK, AIR COIL (LEFT) (12590101) |
| 5 | PS400355 | | GASKET, FOAM (67002226) |
| 6 | PS400137 | | CLIP, HEATER |
| 7 | PS400356 | | HEATER, EVAPORATOR (67004188) |
| 8 | PS400357 | | DRIP TRAY, EVAPORATOR (12558101WD) |
| NI | PS400358 | | SCREW, SMALL (M0224416) |
| 9 | PS400359 | | CLIP, EVAPORATOR (10623003) |
| 10 | PS400150 | | SCREW, ADJUSTING ROD (67006697) |
| 11 | PS400090 | | GASKET, DRAIN TUBE |
| 12 | PS400145 | | SPEED NUT (M0286708) |
| 13 | PS400361 | | BOLT, ADJUSTABLE ROLLER (67006611) |
| 14 | PS400097 | | PLUG, BUTTON |
| 15 | PS400130 | | SCREW (67006573) |
| 16 | PS400362 | | ROLLER BRACKET ASSEMBLY 12580304 |
| 17 | PS400144 | | ROLLER BRACKET (12456801) |
| 18 | PS400146 | | ROLLER (67005127) |
| 19 | PS400147 | | RIVET (M1205302) |
| 20 | PS400414 | | FUNNEL, DRAIN (12456901) |
| 21 | PS400091 | | SEAL, O-RING |



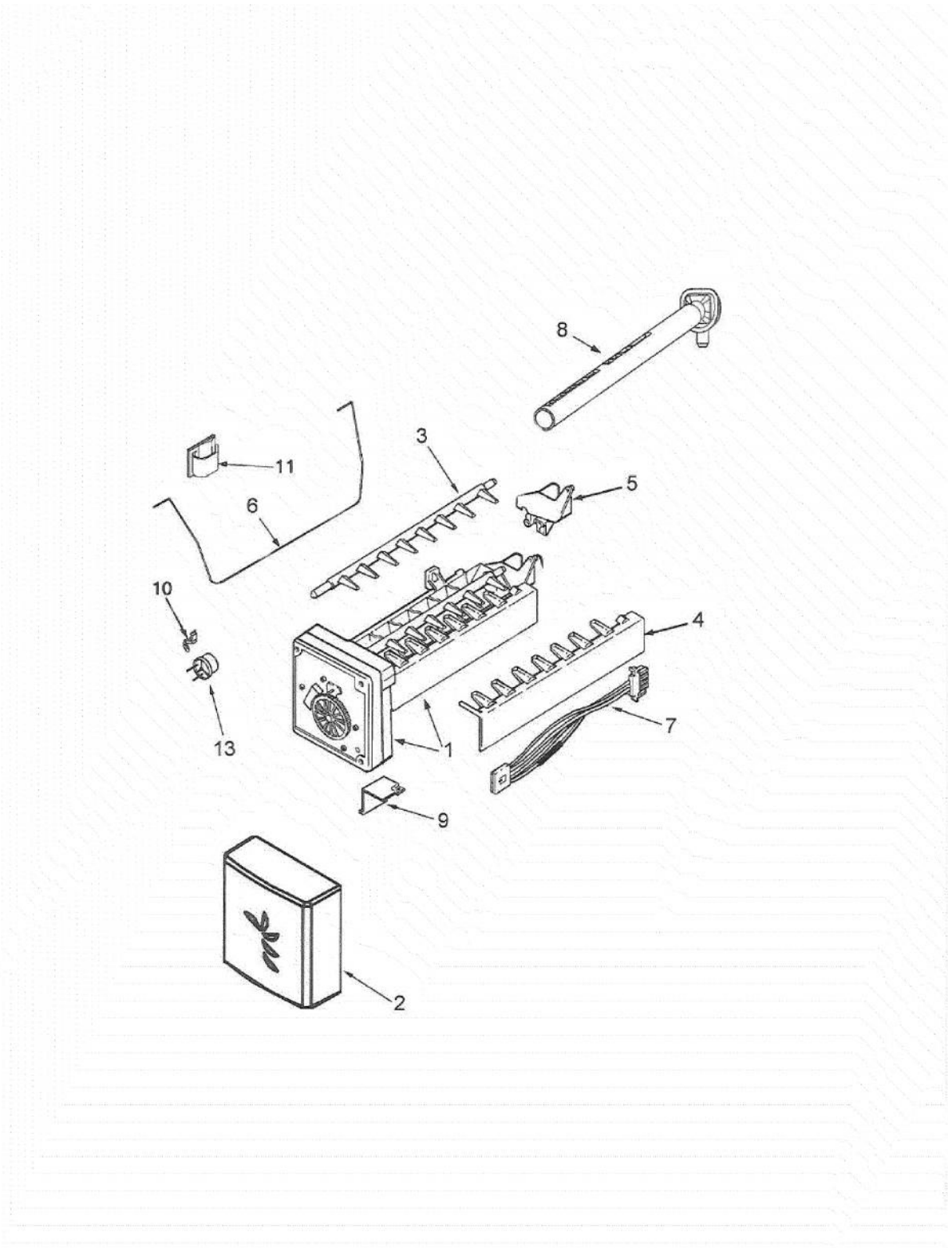
| Ref # | Part Number | Qty. | Description |
|-------|-------------|------|--|
| 1 | PS400196 | | ICE MAKER ASSEMBLY (INC. MOLD |
| NI | PS4000197 | | BRACKET, ICE MAKER |
| 2 | PS400365 | | ICE MAKER ARM / WIRE (12671401) |
| 3 | PS400366 | | SCREW, ICE MAKER (67006698) |
| NI | PS400367 | | WASHER, SCREW (67006699) |
| 4 | PS400368 | | COVER, ICE MAKER |
| 5 | PS400422 | | ICE PAN (10476207) |
| 6 | PS400423 | | BACK, INNER FREEZER (67005482) |
| NI | PS400129 | | SCREW, SMALL (67006425) |
| 7 | PS400373 | | COVER, AIR SUPPLY (12583101) |
| NI | PS400290 | | GROMMET, SCREW (M0580205) |
| NI | PS400129 | | SCREW, SMALL (67006425) |
| 8 | PS400374 | | DUCT, QUICK ICE (67003581) |
| 9 | PS400053 | | LIGHT SOCKET (12570701) |
| 10 | PS400383 | | SHIELD, FREEZER LIGHT (67004135) |
| 11 | PS400054 | | LIGHT BULB (A0282812) |
| 12 | PS4000382 | | COVER, EVAPORATOR |
| NI | PS400129 | | SCREW, SMALL (67006425) |
| 13 | PS400053 | | LIGHT SOCKET (12570701) |
| 14 | PS400054 | | LIGHT BULB (A0282812) |
| 15 | PS400383 | | SHIELD, FREEZER LIGHT (67004135) |
| 16 | PS400424 | | COVER, CONV FREEZER BACK (67005336) |
| NI | PS400425 | | HARNES, UPPER FREEZER LIGHT (67005483) |



| Ref # | Part Number | Qty. | Description |
|-------|-------------|------|---|
| 1 | PS400153 | | SCREW, COMPRESSOR (67006432) |
| 2 | PS400384 | | COMPRESSOR KIT (W10160407) |
| 3 | PS400155 | | CAPACITOR, BALE STRAP, AND GROMMETS) |
| 4 | PS400156 | | GROUND SCREW (67006433) |
| 5 | PS400157 | | OVERLOAD AND RELAY W/CAPICITOR (67005560) |
| 6 | PS400158 | | DRAIN PAN (67007175) |
| 7 | PS400159 | | GROMMET, COMPRESSOR (67003493) |
| 8 | PS400385 | | SEAL, CONDENSER SHROUD (61003210) |
| 9 | PS400129 | | BLOCK, EPS CONDENSER (67002235) |
| 10 | PS400161 | | SCREW, SMALL (67006425) |
| 11 | PS400162 | | DISCHARGE TUBE (67004700) |
| 12 | PS400163 | | GROMMET CONDENSER (67005680) |
| 13 | PS400164 | | BASE PAN (67005889) |
| 14 | PS400165 | | BALE STRAP (12576801) |
| 15 | PS400166 | | GROMMET BRACKET (61004743) |
| 16 | PS400167 | | CONDENSER (67006131) |
| 17 | PS400168 | | SHROUD, CONDENSER FAN (67001090) |
| 18 | PS400169 | | BLADE, CONDENSER FAN (67004952) |
| 19 | PS400170 | | BRACKET, CONDENSER MOTOR (67004953) |
| 20 | PS400160 | | SCREW, BRACKT (67004954) |
| NI | PS400171 | | MOTOR, CONDENSER FAN (67004432) |
| | | | HARNES, MC (67005435) |



| Ref # | Part Number | Qty. | Description |
|-------|-------------|------|---|
| 1 | PS400386 | | ELBOW, FILL TUBE (67003579) |
| 2 | PS400181 | | CLIP, SPEED (M0114003) |
| 3 | PS400387 | | PLASTIC TUBE (B5705307) |
| 4 | PS400178 | | INSERT, TUBE |
| 5 | PS400180 | | CLIP |
| 6 | PS400195 | | POWER CORD (67006506) |
| 7 | PS400155 | | GROUND SCREW (67006433) |
| 8 | PS400175 | | GASKET |
| 9 | PS400186 | | ACOUSTIC FIBER (67003796) |
| 10 | PS400172 | | COVER, MC BACK (67006101) |
| 11 | PS400129 | | SCREW, SMALL (67006425) |
| 12 | PS400174 | | SCREW, VALVE (67006662) |
| 13 | PS400426 | | COVER, WATER VALVE (12479803) |
| 14 | PS400427 | | WATER VALVE (67003753) |
| 15 | PS400182 | | CLAMP, TUBE |
| 16 | PS400132 | | DRIER (B2150504) |
| 17 | PS400131 | | CLIP, DRIER (10547002) |
| 18 | PS400388 | | CLAMP (67006700) |
| NI | PS400190 | | SCREW, HV BOX COVER (67006615) |
| 19 | PS400389 | | DRAIN TUBE (12580401) |
| 20 | PS400390 | | BOARD, HV CONTROL (INC. INSTRUCTION SHEET) (W10207... |
| 21 | PS400192 | | BOX, HV CONTROL (67004969) |
| 22 | PS400193 | | SPACER, HV BOX (67005418) |
| 23 | PS4000391 | | HARNES, HV BOARD |
| 24 | PS400184 | | SCREW, HV BOX (67006550) |
| 25 | PS400189 | | COVER, HV BOX (67005421) |
| NI | PS400190 | | SCREW, HV BOX COVER (67006615) |
| NI | PS400188 | | WATERLINE TRACK (67004102) |



| Ref # | Part Number | Qty. | Description |
|-------|-------------|------|---|
| 1 | PS400196 | | ICE MAKER ASSEMBLY (INC. MOLD AND HEATER ASSEMBLY, ICE EJECTOR, ICE STRIPPER, WATER INLET, & THERMOSTAT BRACKET, ICE MAKER (67002823) |
| NI | PS400197 | | SCREW, ICE MAKER (67006698) |
| NI | PS400366 | | COVER, ICE MAKER |
| 2 | PS400368 | | ICE EJECTOR |
| 3 | PS400199 | | ICE STRIPPER |
| 4 | PS400200 | | WATER INLET (95100-1) |
| 5 | PS400201 | | ICE MAKER ARM / WIRE (12671401) |
| 6 | PS400365 | | HARNESS, ICE MAKER (W10146387) |
| 7 | PS400392 | | ELBOW, FILL TUBE (67003579) |
| 8 | PS400386 | | BRACKET, MODULE AND HEATER (95107-1) |
| 9 | PS400204 | | SCREW, BRACKET (95108-1) |
| NI | PS400205 | | RETAINER, THERMOSTAST (95104-1) |
| 10 | PS400206 | | CLIP |
| 11 | PS400180 | | THERMOSTAT (95092-1) |
| 12 | PS400393 | | CEMENT (95093-1) |
| NI | PS400394 | | COUPLING (10244904) |
| NI | PS400208 | | ICE MAKER HOOK UP KIT (R0131235) |
| NI | PS400209 | | (INC. 1/4" X 25" COPPER TUBE, NON-PIERCING SADDLE VALVE, & 1/4" COMPRESSION NUT & SLEEVE) |