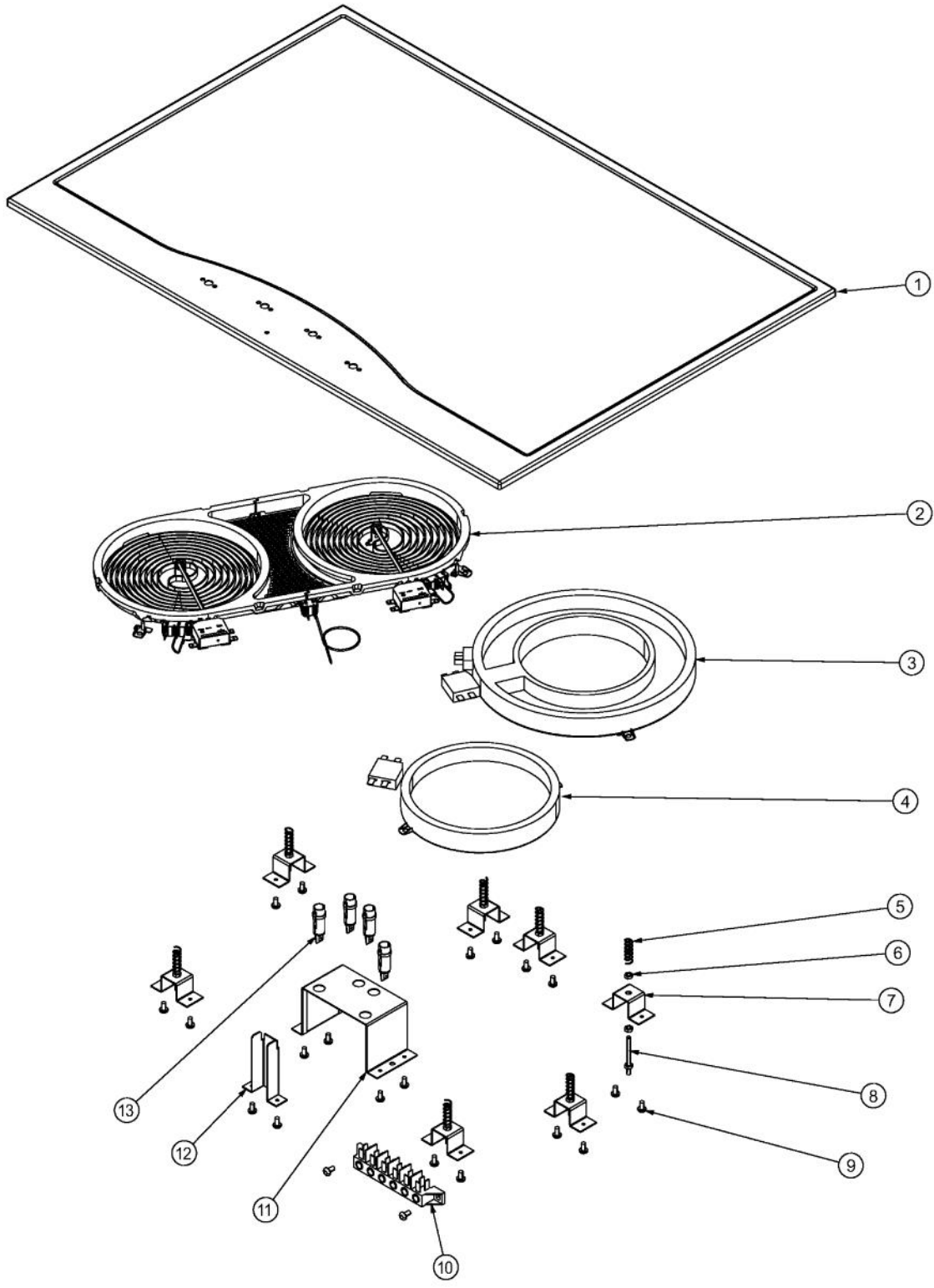
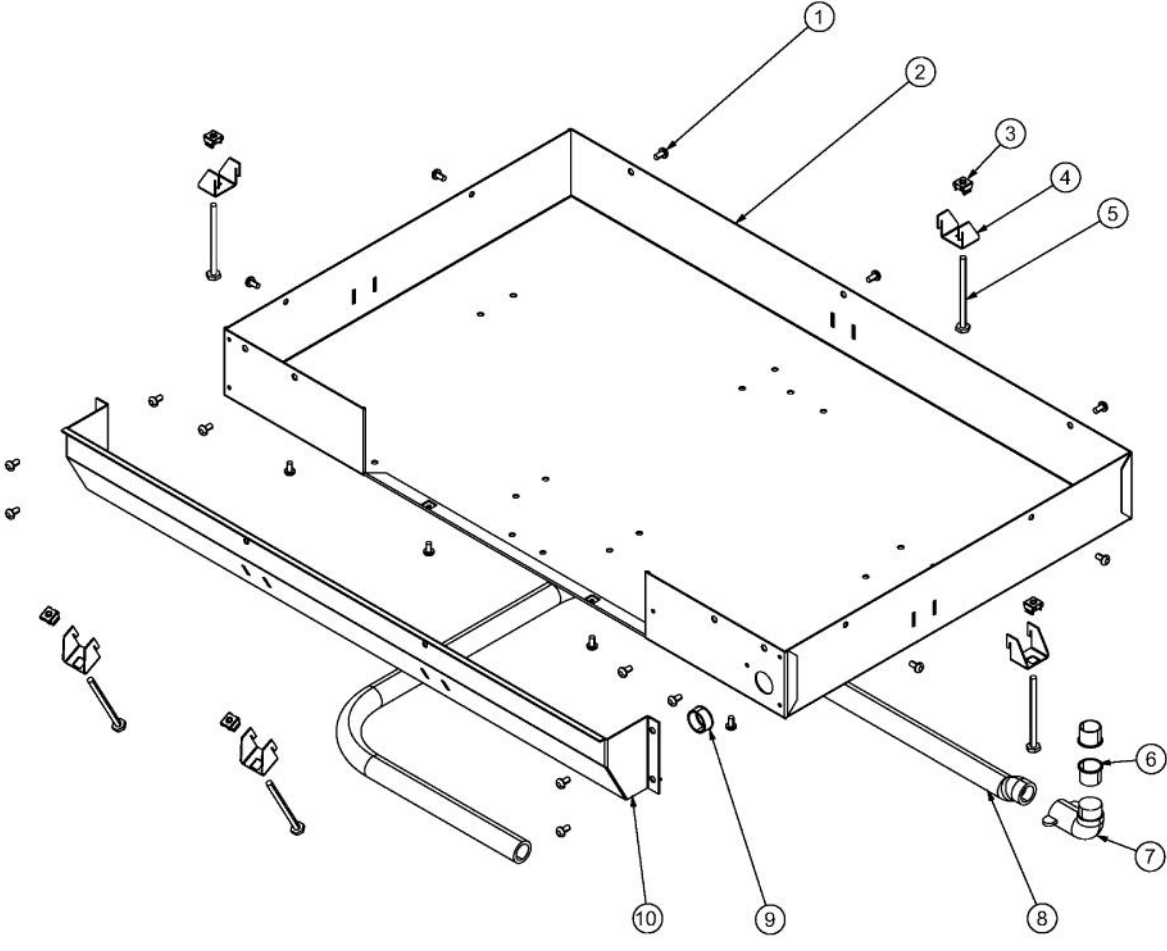


Ref #	Part Number	Qty.	Description
1	014559-000	2	KNOB, BLACK, SLEEVE, DESG COOKTOP
2	013957-000	2	KNOB, ASM, DESG COOKTOP
3	PD020269	8	NO.8 PAN HEAD SCREW
4	PB070078	4	SILICONE GASKET (DESU)
5	PJ030049	2	DOUBLE INFINITE SWITCH
6	PJ030028	2	DUAL INFINITE SWITCH
7	017582-000	1	LIGHT HOUSING, BLUE NEON
8	017579-000	1	LENS, BLUE



Ref #	Part Number	Qty.	Description
1	017273-000	1	TOP, BK - GLASS ASM, 30
2	PJ020004	1	ELEMENT-(2)1800 X 800
3	PJ020005	1	2500 ELEMENT
4	PJ020003	1	ELEMENT
5	PC010006	7	GUIDE SPRING DESU
6	PD040056	14	ELEMENT STUD NUT
7	A2005715	7	GUIDE HAT BRACKET (DECU)
8	PD010148	7	ELEMENT STUD
9	PD020004	22	10X3/8PH.HD.TYPE 25 REPL PD040125
10	PE070231	1	TERMINAL BLOCK - 6 POLE (HEYCO)
11	A2005723	1	DECU30 LIGHT BRACKET
12	000630-000	1	DECU SUPPORT BRACKET
13	PE050113	4	DECU INDICATOR LIGHT (SP-2185-BDPS)



Ref #	Part Number	Qty.	Description
1	PD020004	19	10X3/8PH.HD.TYPE 25 REPL PD040125
2	A2005704	1	BURNER BOX 30 (DECU)
3	PD030029	5	SELF RETAINING NUT (1/4-20)
4	A2005721	5	MOUNT BRACKET (DECU)
5	PD020123	5	BOLT 1/4-20 X 3 HEX HD
6	PD040034	2	CONDUIT GROMMET (1/2)
7	PB040070	1	CONDUIT FITTING (90 DEG)
8	PB020071	1	CONDUIT - FLEXIBLE (48)
9	PD040005	1	SNAP BUSHING - 7/8
10	A2005797	1	DECU105 CONTROL COVER