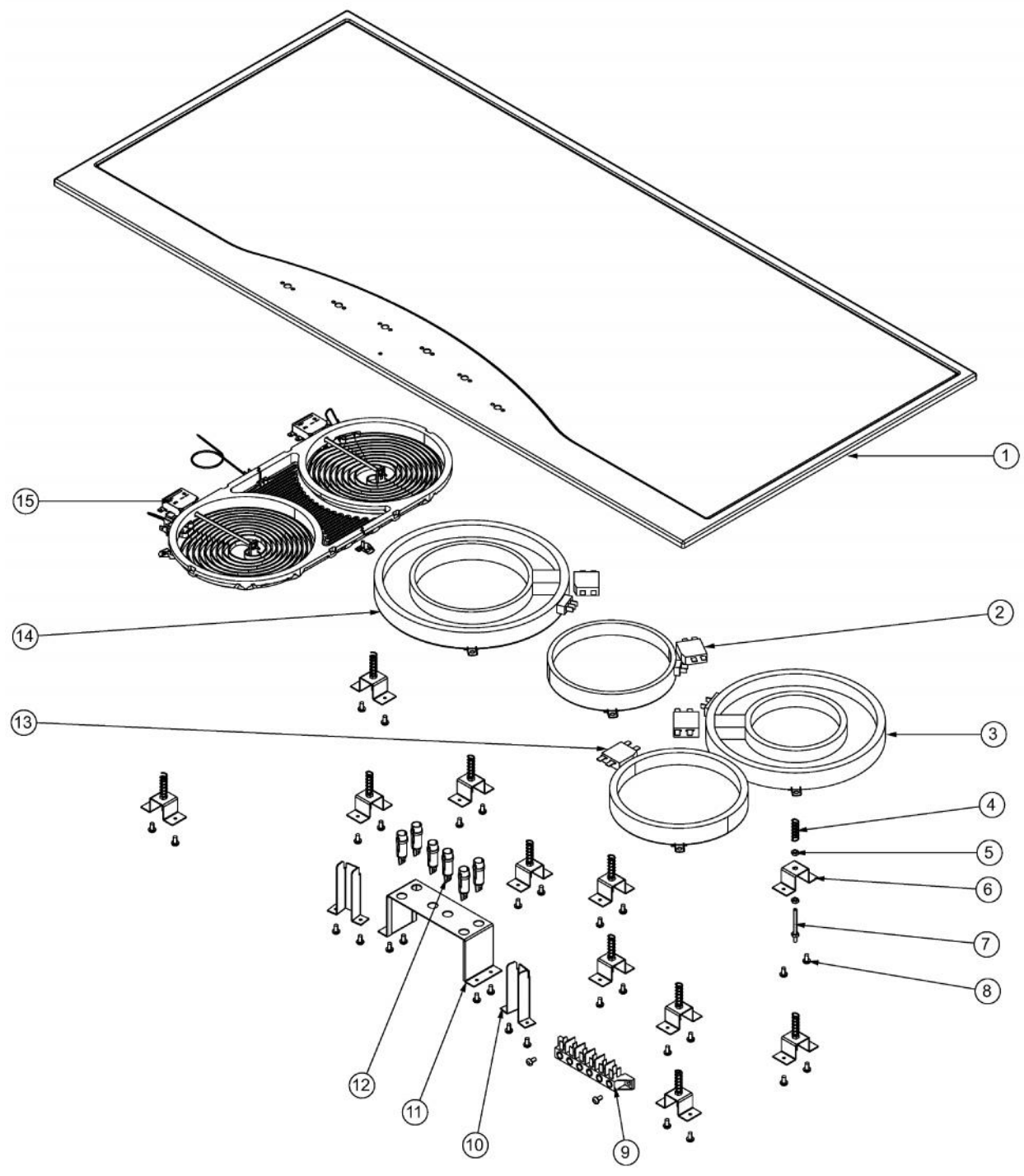
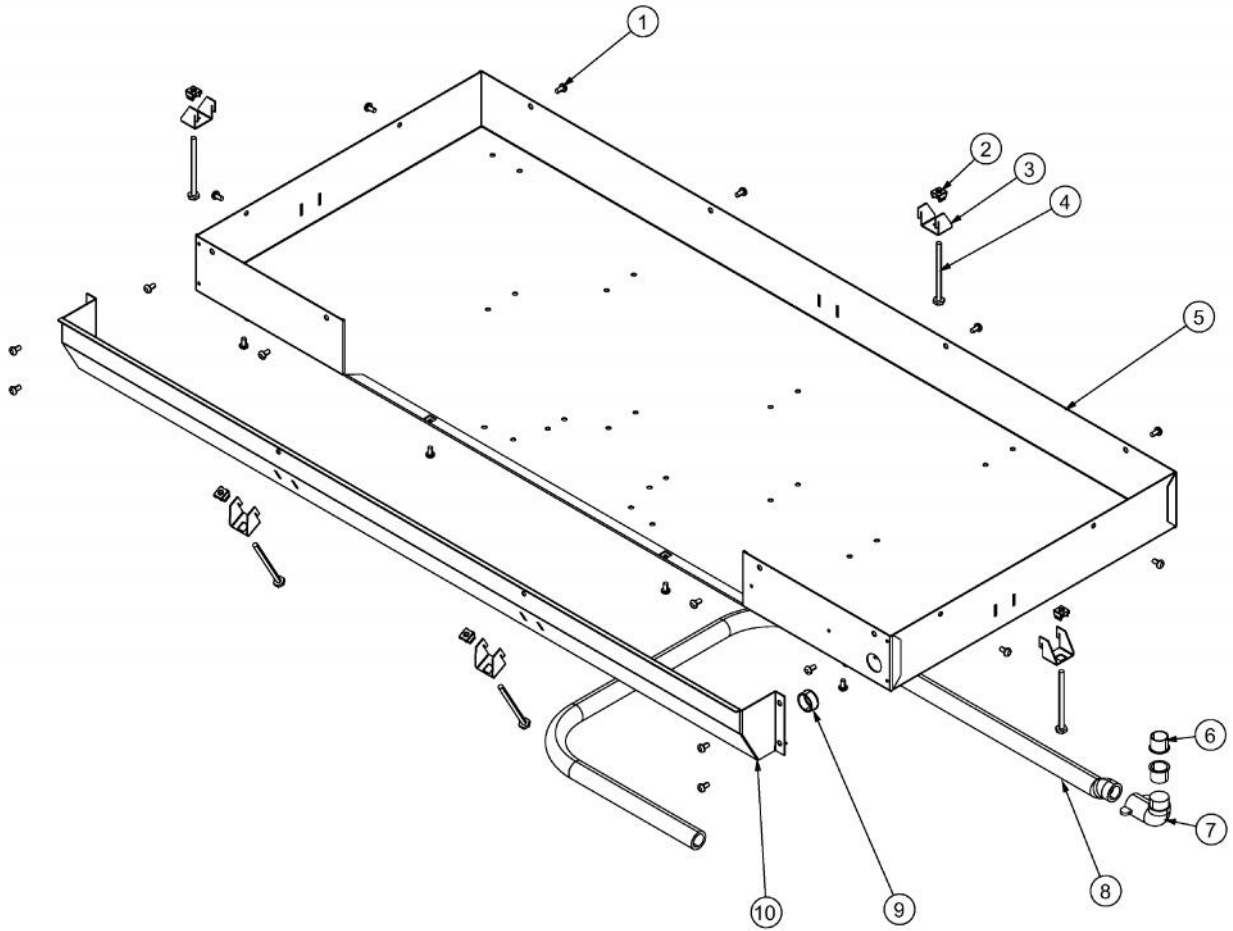


Ref #	Part Number	Qty.	Description
1	014559-000	3	KNOB, BLACK, SLEEVE, DESG COOKTOP
No.	014560-000	3	KNOB, GRAY SLEEVE, DE COOKTOP
2	013957-000	3	KNOB, ASM, DESG COOKTOP
No.	013959-000	3	KNOB, ASM, GRAY, DOUBLE D INSERT, COOKTOP
3	PD020269	12	NO.8 PAN HEAD SCREW
4	PB070078	6	SILICONE GASKET (DESU)
5	PJ030049	3	DOUBLE INFINITE SWITCH
6	PJ030028	3	DUAL INFINITE SWITCH
7	017582-000	1	LIGHT HOUSING, BLUE NEON
8	017579-000	1	LENS, BLUE



Ref #	Part Number	Qty.	Description
1	017275-000	1	TOP, BK - GLASS ASM, 45
No.	019808-000	1	WH TOP, ASM, 45
2	PJ020006	1	1200 ELEMENT
3	PJ020002	1	ELEMENT 2200 (750)
4	PC010006	11	GUIDE SPRING DESU
5	PD040056	22	ELEMENT STUD NUT
6	A2005715	11	GUIDE HAT BRACKET (DECU)
7	PD010148	11	ELEMENT STUD
8	PD020004	32	10X3/8PH.HD.TYPE 25 REPL PD040125
9	PE070231	1	TERMINAL BLOCK - 6 POLE (HEYCO)
10	000630-000	2	DECU SUPPORT BRACKET
11	A2005727	1	DECU45 LIGHT BRACKET
12	PE050113	6	DECU INDICATOR LIGHT (SP-2185-BDPS)
13	PJ020003	1	ELEMENT
14	PJ020005	1	2500 ELEMENT
15	PJ020004	1	ELEMENT-(2)1800 X 800



Ref #	Part Number	Qty.	Description
1	PD020004	20	10X3/8PH.HD.TYPE 25 REPL PD040125
2	PD030029	5	SELF RETAINING NUT (1/4-20)
3	A2005721	5	MOUNT BRACKET (DECU)
4	PD020123	5	BOLT 1/4-20 X 3 HEX HD
5	A2005709	1	BURNER BOX 45 (DECU)
6	PD040034	2	CONDUIT GROMMET (1/2)
7	PB040070	1	CONDUIT FITTING (90 DEG)
8	PB020071	1	CONDUIT - FLEXIBLE (48)
9	PD040005	1	SNAP BUSHING - 7/8
10	A2005799	1	DECU155 CONTROL COVER