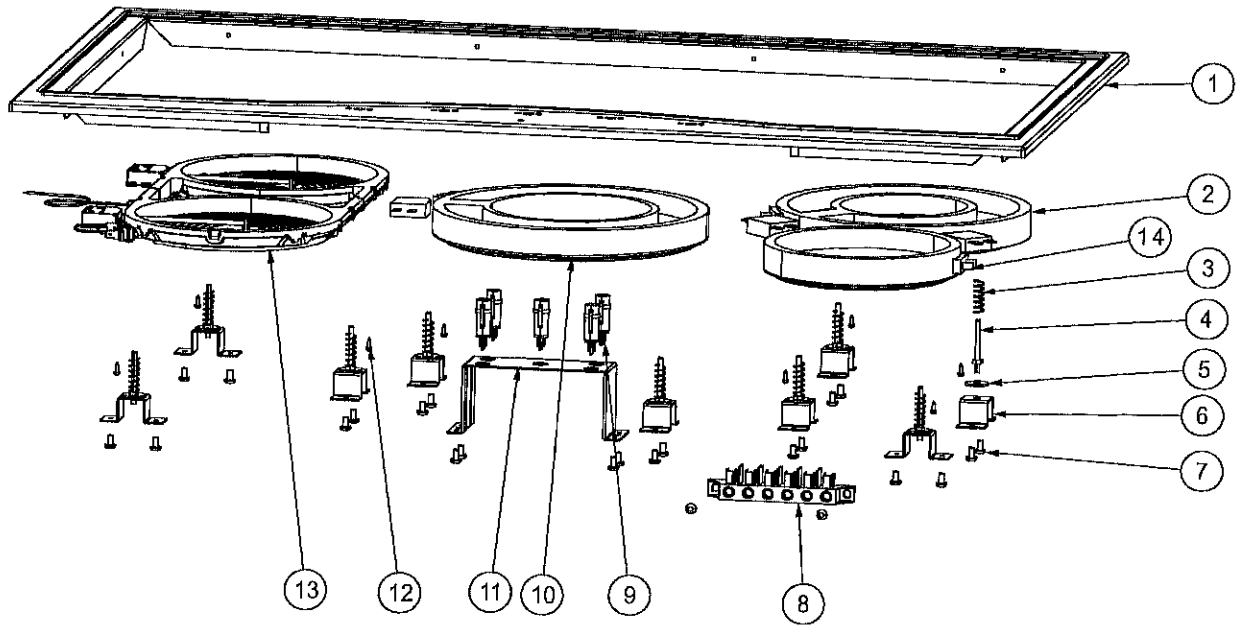
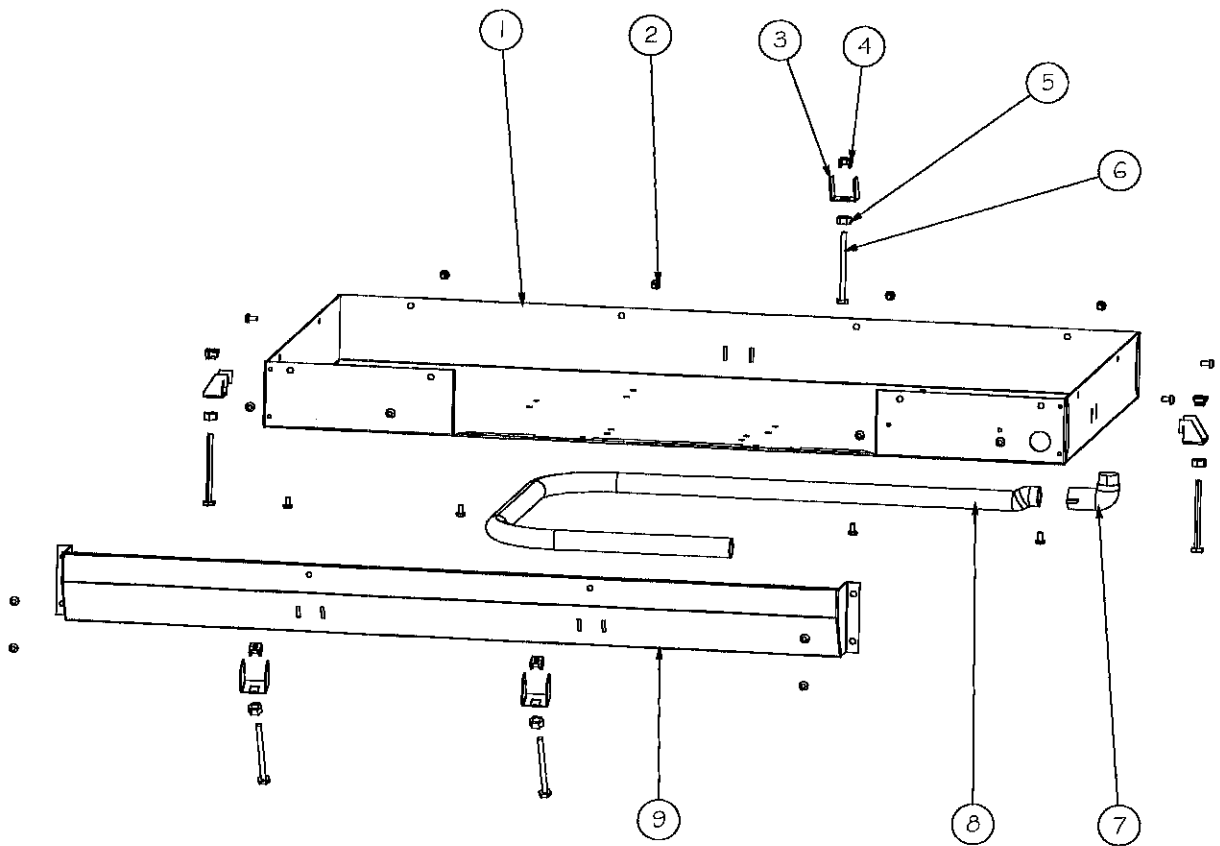


Ref #	Part Number	Qty.	Description
1	PE050080	1	JEMCO LENS
2	PB010199	5	ELECTRIC DESIGNER COOKTOP KNOB (BK)
NI	PB010213PVD	5	ELECT. DESIGNER COOKTOP KNOB BRASS
3	PD020044	10	NO.8-32 X 1/4 PH. TR. HD. M.S.
4	PB070078	5	SILICONE GASKET (DESU)
5	PJ030049	2	DOUBLE INFINITE SWITCH
6	PJ030028	2	DUAL INFINITE SWITCH
7	PE050079	1	LENS OPENING



Ref.#	Part Number	Qty.	Description
1	G5005739	1	DESIGNER TOP ASSY DECU165-5BSB
1	G5005740	1	DESIGNER TOP ASSY DECU165-5BSW
2	PJ020002	1	ELEMENT 2200 (750)
3	PC010006	9	GUIDE SPRING DESU
4	PD010148	8	ELEMENT STUD
5	PD040054	9	ELEMENT STUD WASHER
6	A2005715	9	GUIDE HAT BRACKET (DECU)
7	PD020004	24	10X3/8PH.HD.TYPE 25 REPL PD040125
8	PE070231	1	TERMINAL BLOCK - 6 POLE (HEYCO)
9	PE050113	5	DECU INDICATOR LIGHT (SP-2185-BDPS)
10	PJ020005	1	2500 ELEMENT
11	A2005726	1	DECU36 LIGHT HOLDER
12	PD020013	8	TYPE AB NO.6 X 3/8 PH PAN HD. SMS
13	PJ020004	1	ELEMENT-(2)1800 X 800
14	PJ020003	1	ELEMENT



Ref #	Part Number	Qty.	Description
1	A2005708	1	BURNER BOX 36 (DECU)
2	PD020004	20	10X3/8PH.HD.TYPE 25 REPL PD040125
3	A2005721	5	MOUNT BRACKET (DECU)
4	PD030029	5	SELF RETAINING NUT (1/4-20)
5	PD030008	5	HEX NUT
6	PD020123	5	BOLT 1/4-20 X 3 HEX HD
7	PB040070	1	CONDUIT FITTING (90 DEG)
8	PB020071	1	CONDUIT - FLEXIBLE (48)
9	A2005798	1	DECU165 CONTROL COVER

Jason Parry

From: paul natale <appliancekare@gmail.com>
Sent: Tuesday, February 18, 2014 11:24 AM
To: Jason Parry
Subject: Re: po 0668

Hi Jason. Here is the latest parts order PO #0715:

Qty	Part#	Description
1	019589-000	pump
2	PM910331	ice bucket

Thanks,
Paul

On Wed, Jul 3, 2013 at 11:35 AM, Jason Parry <jparry@kimballinc.com> wrote:
Paul here is the copy we spoke about

Jason Parry
PH. [801-464-0104](tel:801-464-0104)
FX. [801-466-8972](tel:801-466-8972)

-----Original Message-----

From: Kimball Electronics [mailto:ar@kimballinc.com]
Sent: Wednesday, July 03, 2013 11:33 AM
To: Jason
Subject: Scanned image from FO-DC535

DEVICE NAME: Appliance Fax
DEVICE MODEL: FO-DC535
LOCATION:

FILE FORMAT: PDF-G4
RESOLUTION: FINE

Attached file is scanned image in PDF format.
This file can be read by Adobe Acrobat Reader.
The reader can be downloaded from the following URL:

<http://www.adobe.com/>