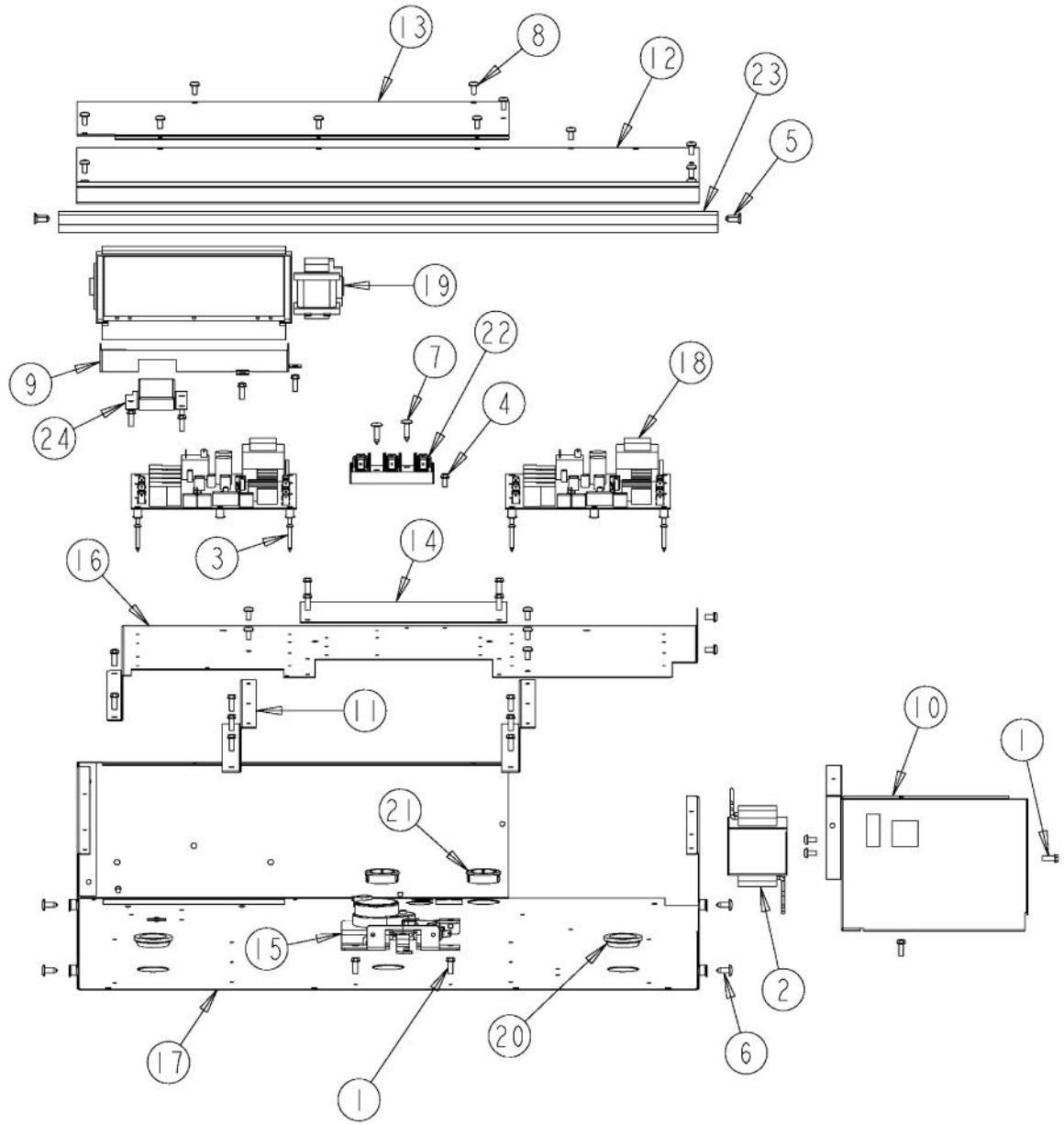
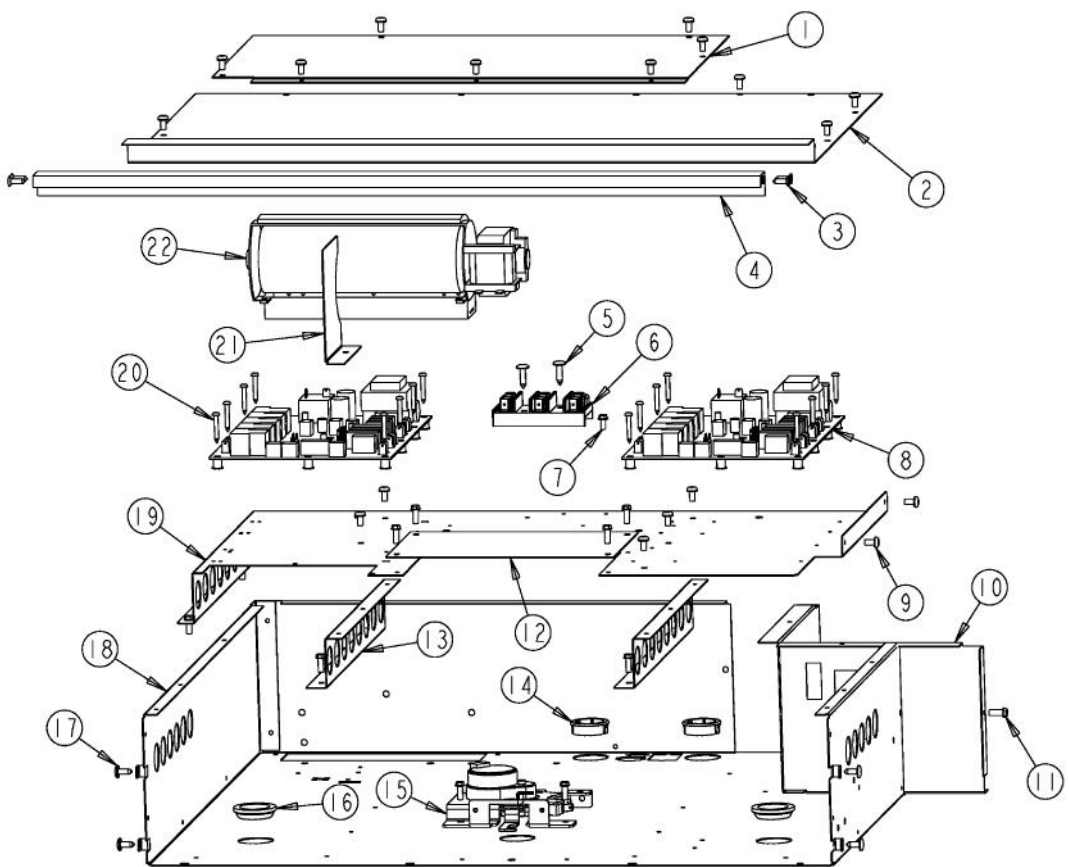


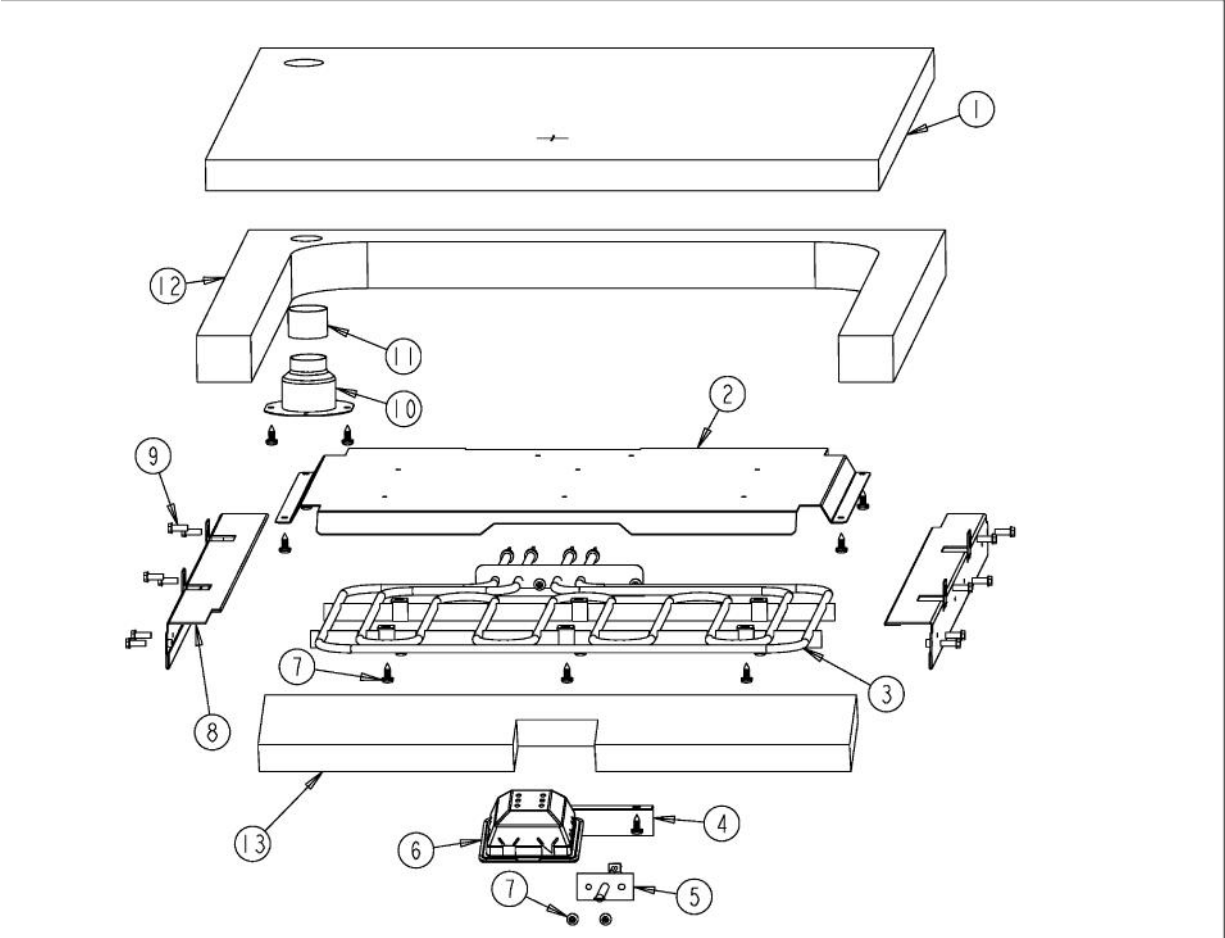
| Ref # | Part Number | Qty. | Description |
|-------|-------------|------|--|
| 1 | PE050247 | | EBM FAN MOTOR CAPACITOR |
| 2 | A10014028 | | 2 CAPACITOR BRACKET |
| 3 | PD030172 | | M8 X 1.25MM NUT |
| 4 | PD020006 | | NO.6-32 X 1/4 PH.PAN HD. T(F) |
| 5 | PD020013 | | TYPE AB NO.6 X 3/8 PH PAN HD. SMS |
| 6 | G50015486 | | DESIGNER LIMIT SWITCH KIT (BEFORE 07-24-06) |
| NI | PJ030043 | | BI-METAL THERMOSTAT (N.C.) 180 DEGREES (AFTER 07-24-06) |
| 7 | A10014045 | | LIGHT SWITCH BRACKET |
| 8 | PJ030033 | | SELECTOR (10 POS) |
| 9 | PD040160 | | 3/8 STEEL WASHER |
| 10 | PD040164 | | 5/16 INTERNAL TOOTH LOCK WASHER TYPE A |
| 11 | PE050076 | | DESIGNER OVEN LIGHT SWITCH |
| 12 | A20012638 | | CLOCK BRACKET |
| 13 | PD010003 | | 10-24 X 1/2 PH.TR.HD.SERD.M.S. |
| 14 | PE050214 | | CLOCK (DIGITAL 230V 50/60HZ) |
| 15 | PJ030034 | | SELECTOR (6 POS) |
| 16 | PJ030035 | | THERMOSTAT |
| 17 | A20012649 | | DOOR SWITCH BRACKET |
| 18 | PD020004 | | 10X3/8PH.HD.TYPE 25 REPL PD040125 |
| 19 | PE050208 | | DOOR SWITCH |
| 20 | C90014073BK | | 27 INLET GRILL |
| 21 | B92012629 | | 27 PREM. DOUBLE CONTROL PNL. |
| 21 | C92012629BK | | 27 PREM. DOUBLE CONTROL PNL. XBKX |
| 21 | C92012629BT | | 27 PREM. DOUBLE CONTROL PNL. XBTX |
| 21 | C92012629GG | | 27 PREM. DOUBLE CONTROL PNL. XGGX |
| 21 | C92012629SG | | 27 PREM. DOUBLE CONTROL PNL. XSGX |
| 21 | C92012629WH | | 27 PREM. DOUBLE CONTROL PNL. XWHX |
| 22 | PE050078 | | VECU POWER LIGHT |
| 23 | PA010194 | | DES. SELECTOR/THERMOSTAT KNOB |
| 23 | PA010194PVD | | DES. SELECTOR/THERMOSTAT KNOB-BRASS |
| 23 | PA010195 | | DES. SELECTOR/THERMOSTAT KNOB - GREY |
| 23 | PA010195PVD | | SELECTOR / THERMOSTAT KNOB - WH / BR |
| 24 | PB010314 | | TEST DESIGNER BIT GENERATOR KNOB |
| 24 | PB010314PVD | | TEST DESIGNER BIT GENERATOR KNOB-BRASS |
| 25 | PB010315 | | DES. CLOCK BUTTON |
| 26 | PA010093 | | DESIGNER OVEN LT SWITCH KNOB |
| 26 | PA010093PVD | | DESIGNER OVEN LT SWITCH KNOB-BRASS |
| 27 | PD040004 | | GROMMET BUMPER |
| 28 | PD020060 | | 10 X 1/2 (5/16)HEX WSHR HD.(T)A |
| 29 | PD020052 | | NO.6 X 1/2 PHILLIPS HEAD SMS (VERT/SC |
| 30 | A20012636 | | 27 CONTROL MTG. PANEL |



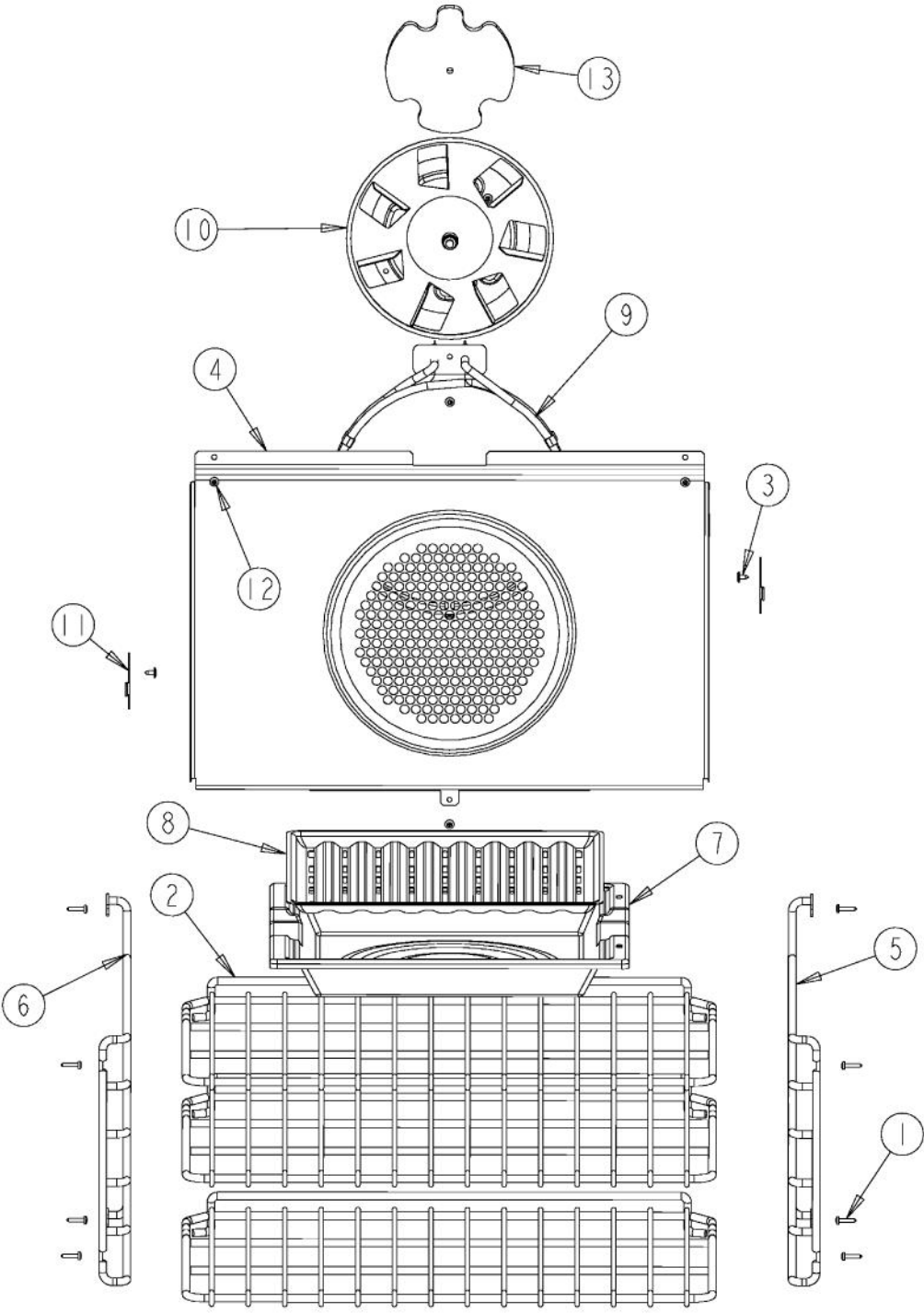
| Ref # | Part Number | Qty. | Description |
|-------|-------------|------|---|
| 1 | PD020060 | | 10 X 1/2 (5/16)HEX WSHR HD.(T)A |
| 2 | PE070634 | | HALOGEN LIGHT TRANSFORMER |
| 3 | PD020185 | | NO.6 X 1 PAN HEAD SCREW |
| 4 | PD020010 | | 10 X 3/8 GREEN GROUNDING SCREW |
| 5 | PD020231 | | NO.8 X 1/2 PH FLAT HEAD TEK SCREW (BLACK OXIDE) |
| 6 | PD020002 | | 10 X 1/2 PH.TR.HD.SMS. |
| 7 | PD020014 | | 10X3/4 PH TR HD SMS |
| 8 | PD020004 | | 10X3/8PH.HD.TYPE 25 REPL PD040125 |
| 9 | A20014035 | | 27 BLOWER BRACKET |
| 10 | A20010934 | | BRACKET, MODULE PAN |
| 11 | A20010910 | | BRACKET, SUPPORT, ELECTRONICS HAT |
| 12 | A20014046 | | 27 FRONT COVER |
| 13 | A20014047 | | 27 REAR COVER |
| 14 | A10010911 | | COVER, LATCH |
| 15 | PE050210 | | DOOR LATCH |
| 16 | A20010935 | | ELECTRONICS HAT |
| 17 | A20010933 | | MODULE PAN 27 |
| 18 | PE070631 | | CONTROL BOARD |
| 19 | PE050228 | | PREMIUM BLOWER |
| 20 | PB070079 | | SILICONE EXTRUSION (DGSU) |
| 21 | PD040152 | | SNAP BUSHING |
| 22 | PE070147 | | TERMINAL BLOCK |
| 23 | PE040279 | | 27 DES. TOP TRIM |
| 24 | A20014033 | | UPPER VENT COVER |



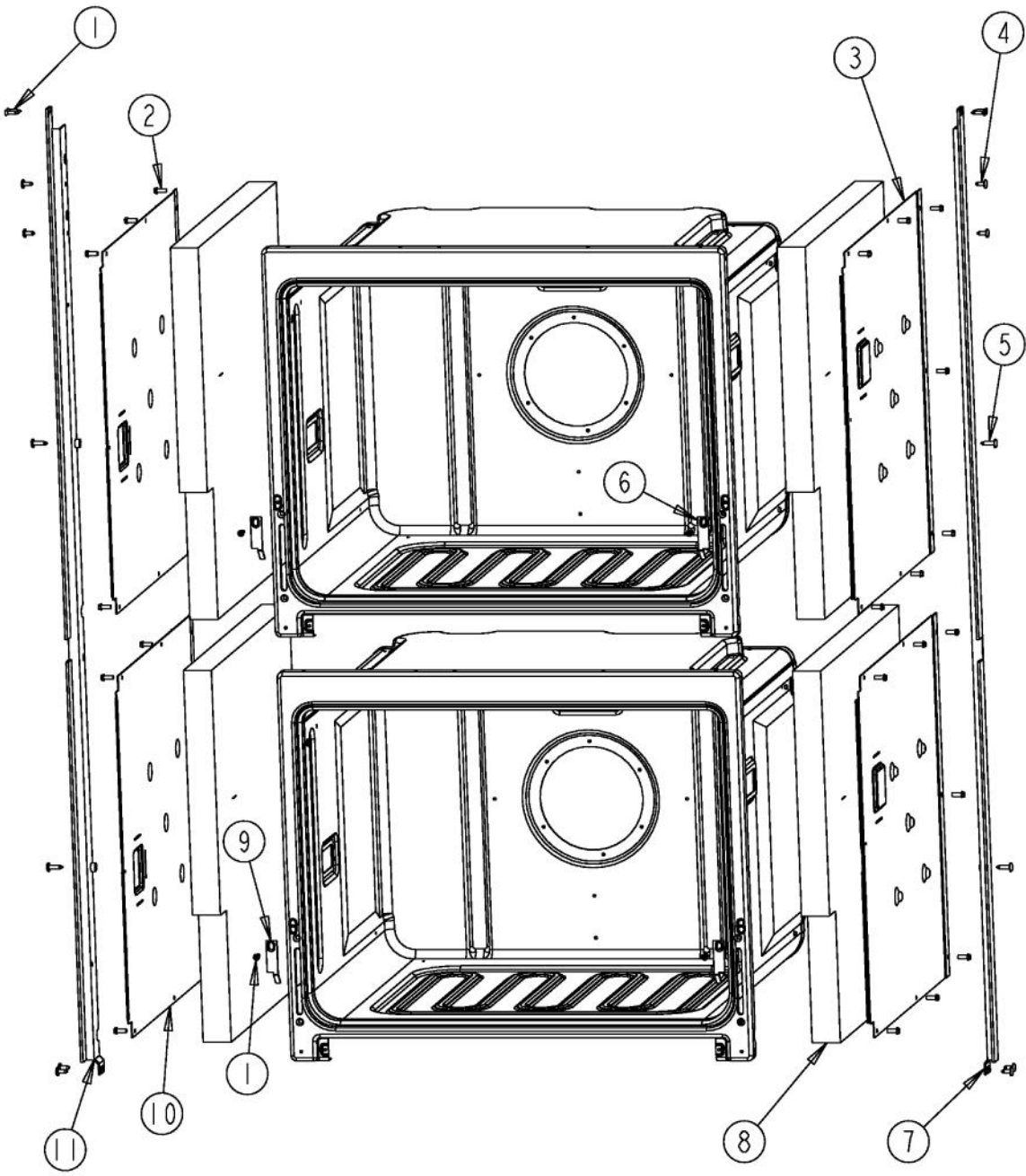
| Ref # | Part Number | Qty. | Description |
|-------|-------------|------|---|
| 1 | A20014047 | | 27 REAR COVER |
| 2 | A20014046 | | 27 FRONT COVER |
| 3 | PD020231 | | NO.8 X 1/2 PH FLAT HEAD TEK SCREW (BLACK OXIDE) |
| 4 | PE040279 | | 27 DES. TOP TRIM |
| 5 | PD020014 | | 10X3/4 PH TR HD SMS |
| 6 | PE070147 | | TERMINAL BLOCK |
| 7 | PD020010 | | 10 X 3/8 GREEN GROUNDING SCREW |
| 8 | PE070631 | | CONTROL BOARD |
| 9 | PD020004 | | 10X3/8PH.HD.TYPE 25 REPL PD040125 |
| 10 | A20010934 | | BRACKET, MODULE PAN |
| 11 | PD020060 | | 10 X 1/2 (5/16)HEX WSHER HD.(T)A |
| 12 | A10010911 | | COVER, LATCH |
| 13 | A20010910 | | BRACKET, SUPPORT, ELECTRONICS HAT |
| 14 | PD040152 | | SNAP BUSHING |
| 15 | PE050210 | | DOOR LATCH |
| 16 | PB070079 | | SILICONE EXTRUSION (DGSU) |
| 17 | PD020002 | | 10 X 1/2 PH.TR.HD.SMS. |
| 18 | A20010933 | | MODULE PAN 27 |
| 19 | A20010935 | | ELECTRONICS HAT |
| 20 | PD020185 | | NO.6 X 1 PAN HEAD SCREW |
| 21 | A2009667 | | REAR AIR DIVIDER |
| 22 | PE050228 | | PREMIUM BLOWER |



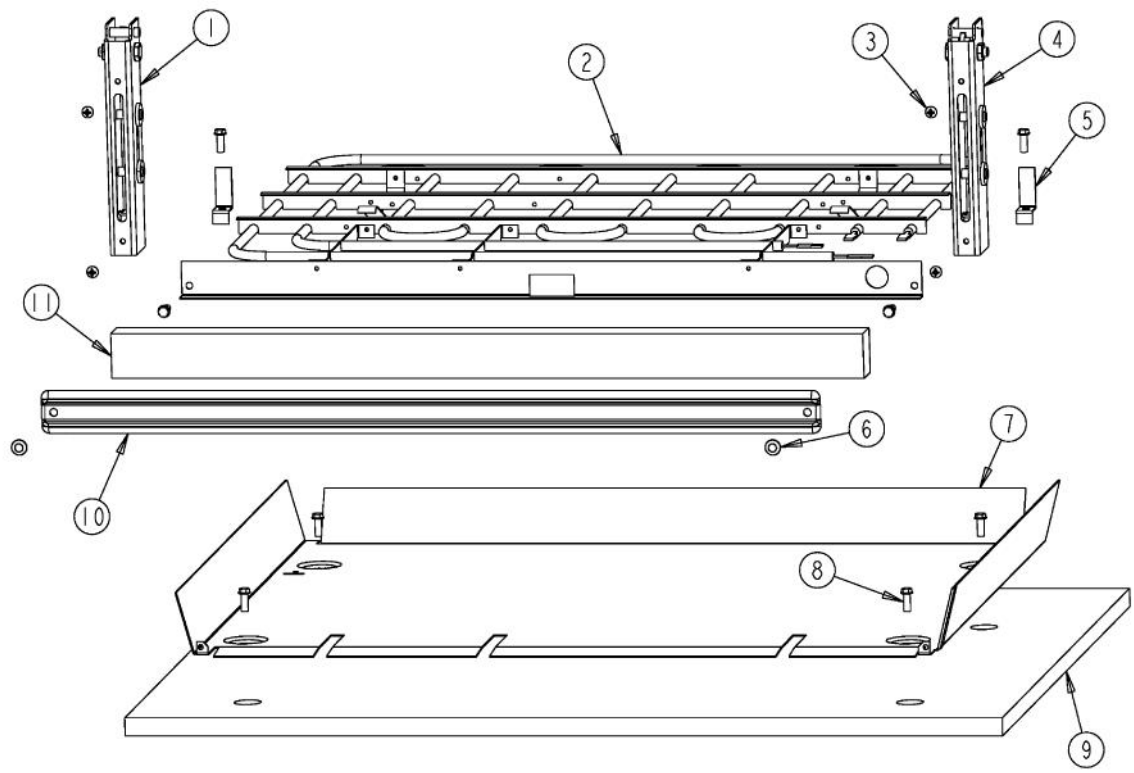
| Ref # | Part Number | Qty. | Description |
|-------|-------------|------|--------------------------------------|
| 1 | PB070307 | | 27 TOP INSULATION |
| 2 | A20014021 | | REFLECTOR, BROIL |
| 3 | PJ010049 | | BROIL ELEMENT |
| 4 | A20014044 | | BROIL ELEMENT SHIELD |
| 5 | PE050206 | | RTD THERMOSTAT PROBE |
| 6 | PE050205 | | TOP HALOGEN LIGHT (BEFORE C-0396) |
| NI | PE050239 | | HALOGEN LAMP (AFTER C-0396) |
| 7 | PD020055 | | NO.10 X 1/2 PAN PHIL. TEK. SS |
| 8 | A2009641 | | BRKT, TOP WRAPPER |
| 9 | PD020060 | | 10 X 1/2 (5/16)HEX WSHER HD.(T)A |
| 10 | PM010014 | | SMOKE ELIMINATOR (VDSC) |
| 11 | PB020275 | | VENT TUBE |
| 12 | PB070306 | | 27 TOP BROIL INSULATION |
| 13 | PB070337 | | LINER FRONT INSULATION |



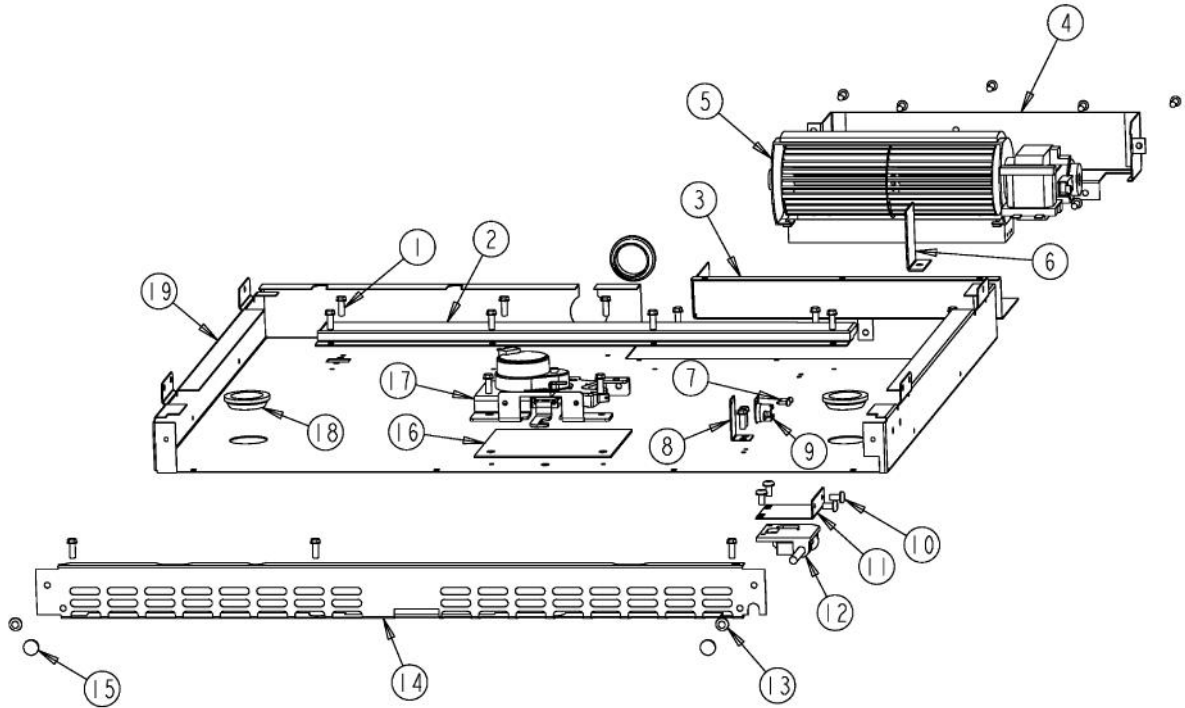
| Ref # | Part Number | Qty. | Description |
|-------|-------------|------|--|
| 1 | PB070312 | | CONVECTION MOTOR MTG. PLATE INSULATION |
| 2 | G32014020 | | CONVECTION FAN ASSY |
| 3 | PD020060 | | 10 X 1/2 (5/16)HEX WSHR HD.(T)A |
| 4 | PB060103 | | RACK SUPPORT RH |
| 5 | E9107934 | | BROILER PAN INSERT |
| 6 | E9107933 | | BROILER PAN |
| 7 | PB060105 | | 27 OVEN RACK |
| 8 | PB060104 | | RACK SUPPORT LH |
| 9 | PD020232 | | NO.8 X 3/4 PH PAN HEAD TEK SCREW (BLACK OXIDE) |
| 10 | PD020055 | | NO.10 X 1/2 PAN PHIL. TEK. SS |
| 11 | G91013597 | | 27 BAFFLE ASSEMBLY |
| 12 | PJ010047 | | CONVECTION ELEMENT |



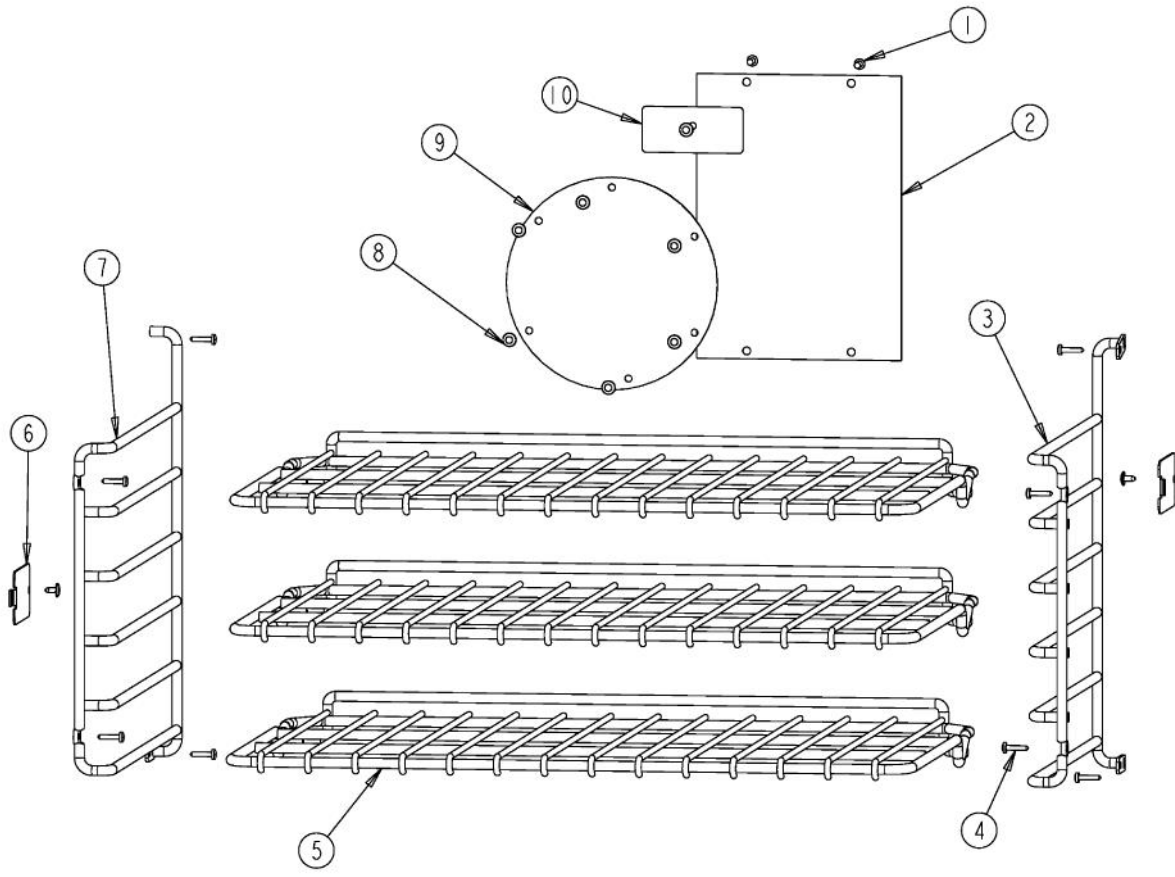
| Ref # | Part Number | Qty. | Description |
|-------|-------------|------|----------------------------------|
| 1 | PD020061 | | NO.8 X 3/4 FLAT HD TEK. SS. |
| 2 | PD020060 | | 10 X 1/2 (5/16)HEX WSHER HD.(T)A |
| 3 | A2009622 | | BRKT, TOP WRAPPER, RIGHT |
| 4 | PD020002 | | 10 X 1/2 PH.TR.HD.SMS. |
| 5 | PD020014 | | 10X3/4 PH TR HD SMS |
| 6 | B21010915 | | HINGE CLIP ? RH |
| 7 | PE040283 | | DES. DOUBLE SIDE TRIM RH |
| 8 | PB070302 | | SIDE INSULATION |
| 9 | B21010916 | | HINGE CLIP ? LH |
| 10 | A20012650 | | BRKT, TOP WRAPPER LEFT |
| 11 | PE040284 | | DES. DOUBLE SIDE TRIM LH |



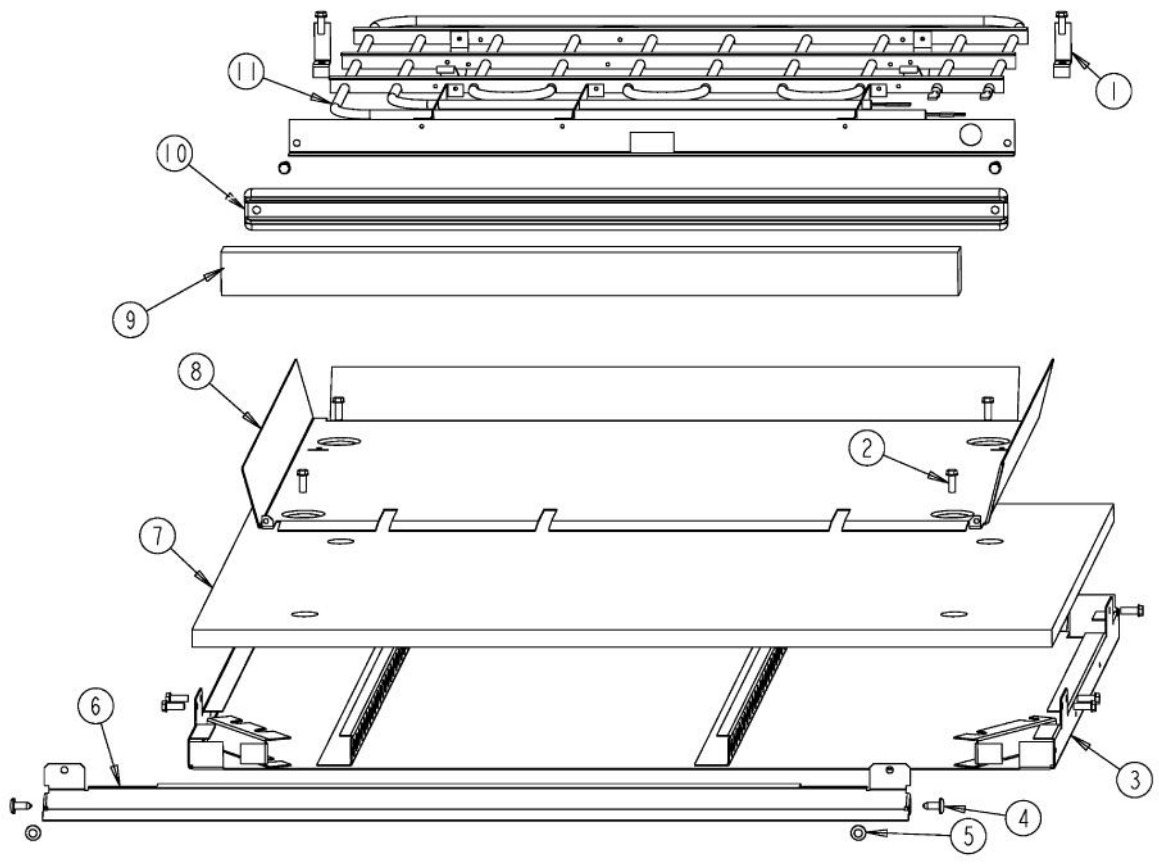
| Ref # | Part Number | Qty. | Description |
|-------|-------------|------|--------------------------------------|
| 1 | PC020247 | | HINGE POCKET RECEIVER MANSFIELD LH |
| 2 | PJ010048 | | BAKE ELEMENT |
| 3 | PD020062 | | NO.8-32 X 3/8 PHMS TYPE 1 |
| 4 | PC020221 | | HINGE POCKET RECEIVER MANSFIELD RH |
| 5 | A2009696 | | HOLDER, BAKE ELEMENT |
| 6 | PD020063 | | SCREW-NO.8(A) X 3/8PH WFR HD/BK OXID |
| 7 | A20010932 | | ELEMENT, MTG TRAY |
| 8 | PD020060 | | 10 X 1/2 (5/16)HEX WSHR HD.(T)A |
| 9 | PB070300 | | 27 BOTTOM INSULATION |
| 10 | E9109655 | | BAKE TRAY COVER |
| 11 | PB070309 | | BAKE ELEMENT INSULATION |



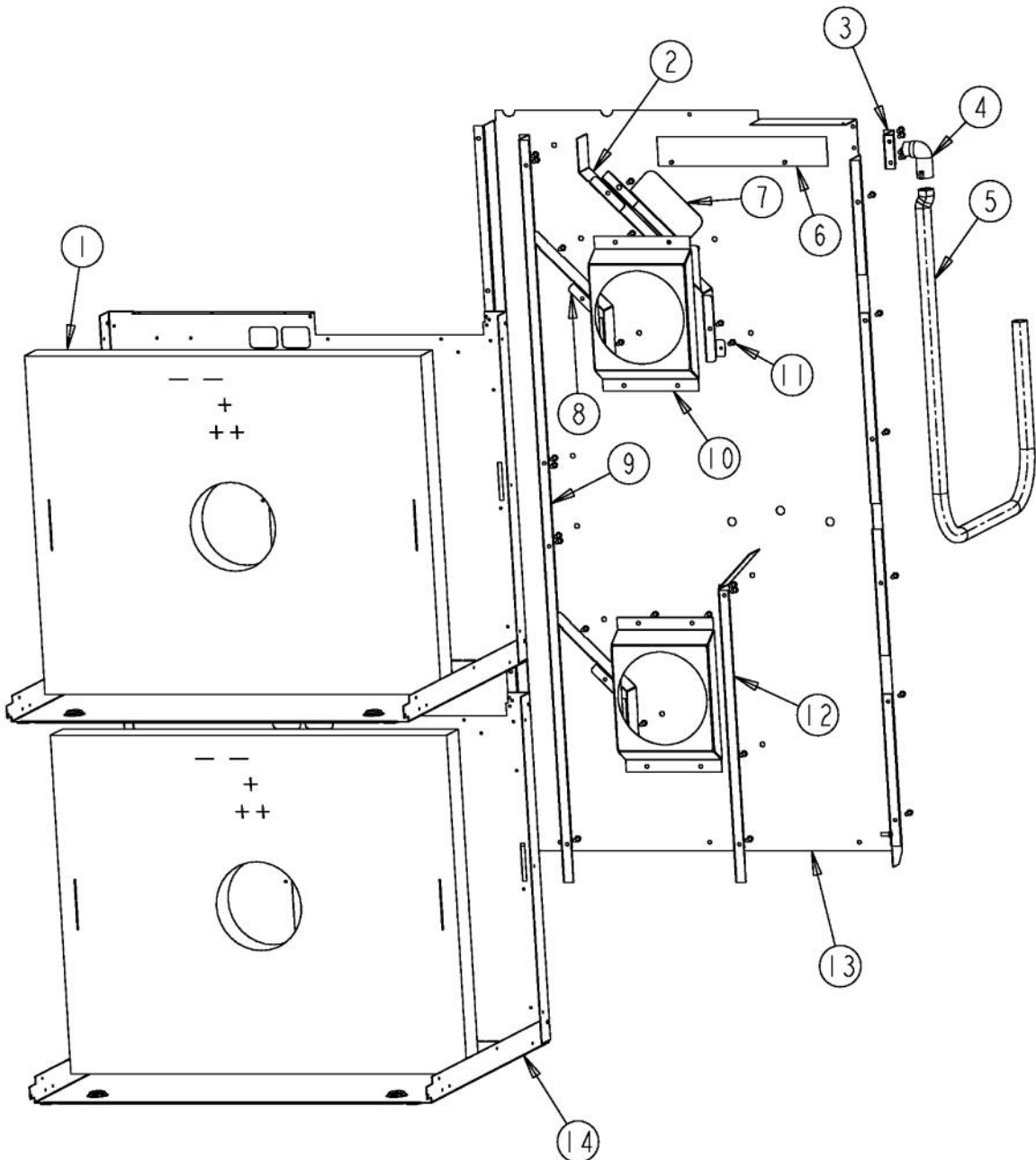
| Ref # | Part Number | Qty. | Description |
|-------|-------------|------|--------------------------------------|
| 1 | PD020060 | | 10 X 1/2 (5/16)HEX WSHR HD.(T)A |
| 2 | A20012808 | | CATALYST EXHAUST, MIDDLE MODULE |
| 3 | A2009659 | | BRACKET, FILLER, BLOWER |
| 4 | A3009660 | | BRACKET, BLOWER, DBL LOWER OVEN |
| 5 | PE050250 | | PREMIUM BLOWER WITH HES |
| 6 | A20014036 | | BOTTOM BLOWER DIVIDER |
| 7 | PD020013 | | TYPE AB NO.6 X 3/8 PH PAN HD. SMS |
| 8 | A20014089 | | DISC BRACKET |
| 9 | PJ030039 | | BI-METAL THERMOSTAT 275 DEGREES |
| 10 | PD020004 | | 10X3/8PH.HD.TYPE 25 REPL PD040125 |
| 11 | A20012649 | | DOOR SWITCH BRACKET |
| 12 | PE050208 | | DOOR SWITCH |
| 13 | PD020063 | | SCREW-NO.8(A) X 3/8PH WFR HD/BK OXID |
| 14 | C90012803BK | | INLET GRILL DBL LOWER OVEN 27 |
| 15 | PD040004 | | GROMMET BUMPER |
| 16 | PB070321 | | LOWER LATCH INSULATION |
| 17 | PE050210 | | DOOR LATCH |
| 18 | PB070079 | | SILICONE EXTRUSION (DGSU) |
| 19 | A20012802 | | MODULE PAN 27 |



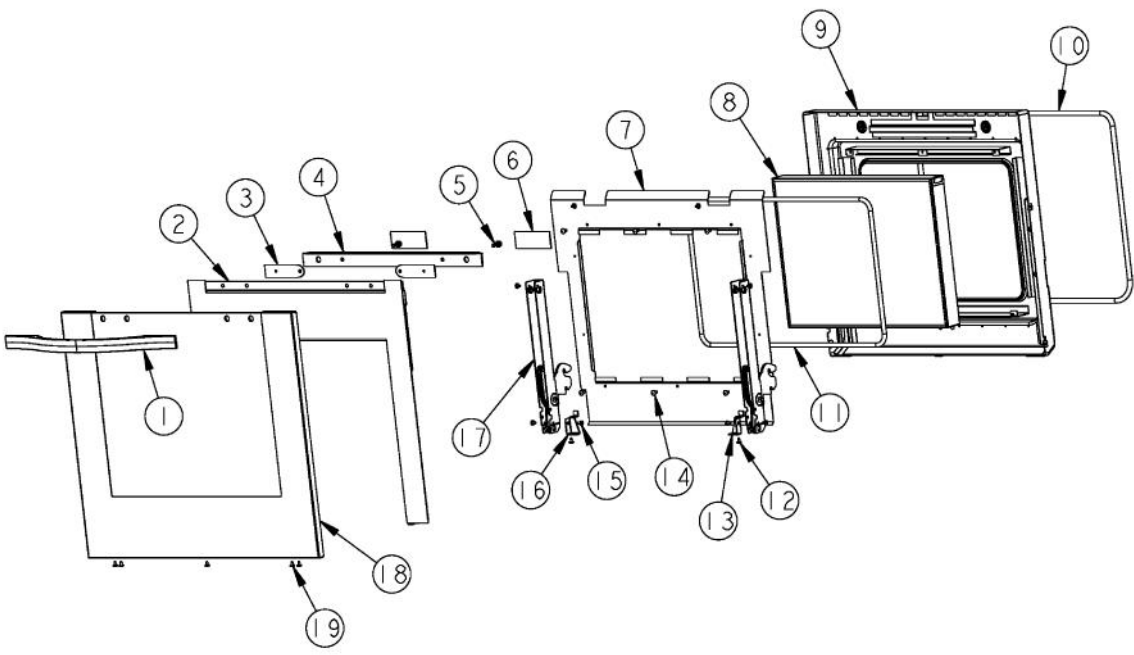
| Ref # | Part Number | Qty. | Description |
|-------|-------------|------|--|
| 1 | PD020060 | | 10 X 1/2 (5/16)HEX WSHR HD.(T)A |
| 2 | PD020232 | | NO.8 X 3/4 PH PAN HEAD TEK SCREW (BLACK OXIDE) |
| 3 | PB060105 | | 27 OVEN RACK |
| 4 | PD020063 | | SCREW-NO.8(A) X 3/8PH WFR HD/BK OXID |
| 5 | PB060103 | | RACK SUPPORT RH |
| 6 | PB060104 | | RACK SUPPORT LH |
| 7 | A10012648 | | BACK COVER |
| 8 | E91012616 | | CONV. ELEMENT HOLE COVER |
| 9 | E91012615 | | CONVECTION HOLE COVER |
| 10 | E91012614 | | LIGHT HOLE COVER |



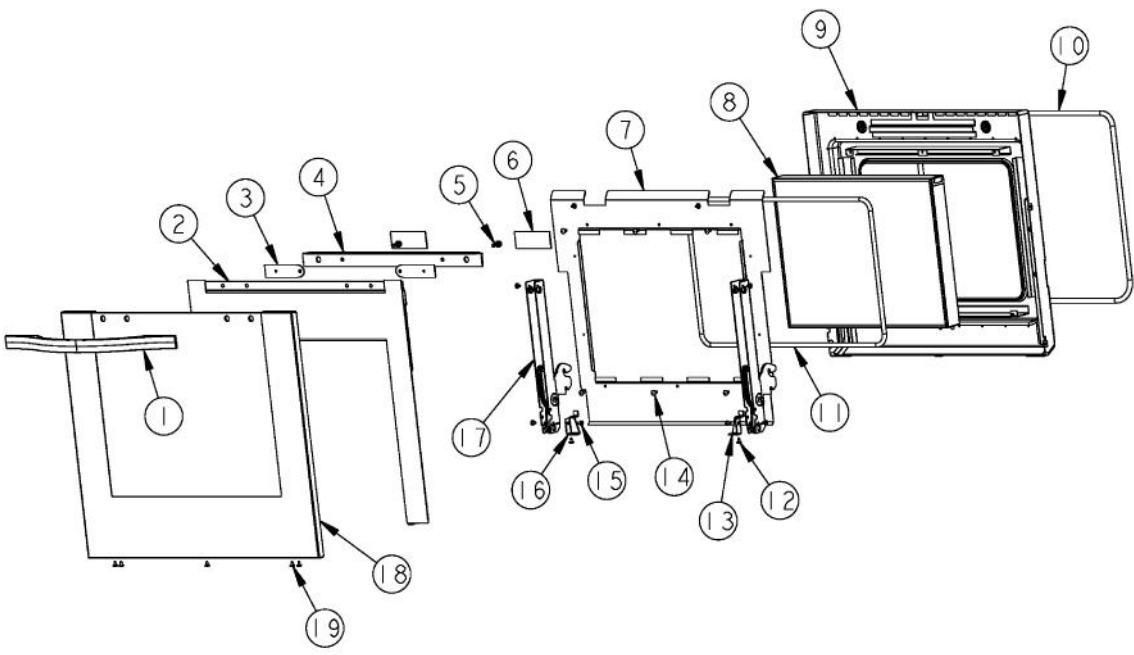
| Ref # | Part Number | Qty. | Description |
|-------|-------------|------|--------------------------------------|
| 1 | A2009696 | | HOLDER, BAKE ELEMENT |
| 2 | PD020060 | | 10 X 1/2 (5/16)HEX WSHER HD.(T)A |
| 3 | G30010922 | | BASE MODULE ASSY 27 |
| 4 | PD020002 | | 10 X 1/2 PH.TR.HD.SMS. |
| 5 | PD020063 | | SCREW-NO.8(A) X 3/8PH WFR HD/BK OXID |
| 6 | C90012822BK | | BOTTOM AIR DEFLECTOR 27 |
| 7 | PB070300 | | 27 BOTTOM INSULATION |
| 8 | A20010932 | | ELEMENT, MTG TRAY |
| 9 | PB070309 | | BAKE ELEMENT INSULATION |
| 10 | E2109655 | | COVER, BAKE TRAY |
| 11 | PJ010048 | | BAKE ELEMENT |



| Ref # | Part Number | Qty. | Description |
|-------|-------------|------|---------------------------------|
| 1 | PB070301 | | 27 BACK INSULATION |
| 2 | A21010918 | | BRACKET, AIR, CONVECTION MOTOR |
| 3 | A2009671 | | BRACKET, POWER CABLE |
| 4 | PB040070 | | CONDUIT FITTING (90 DEG) |
| 5 | PB020071 | | CONDUIT - FLEXIBLE (48) |
| 6 | A10010907 | | COVER, BLOWER |
| 7 | A20014052 | | WIRE SHIELD |
| 8 | A21010919 | | BRACKET, AIR, CONVECTION MOTOR |
| 9 | A2009684 | | REAR AIR DIVIDER, DOUBLE OVEN |
| 10 | A2009697 | | BRACKET, CONVECTION INSULATION |
| 11 | PD020060 | | 10 X 1/2 (5/16)HEX WSHR HD.(T)A |
| 12 | A200128909 | | REAR AIR DIVIDER |
| 13 | A20012807 | | PANEL, REAR |
| 14 | A20010931 | | BASE, BACK WRAPPER, 27 |

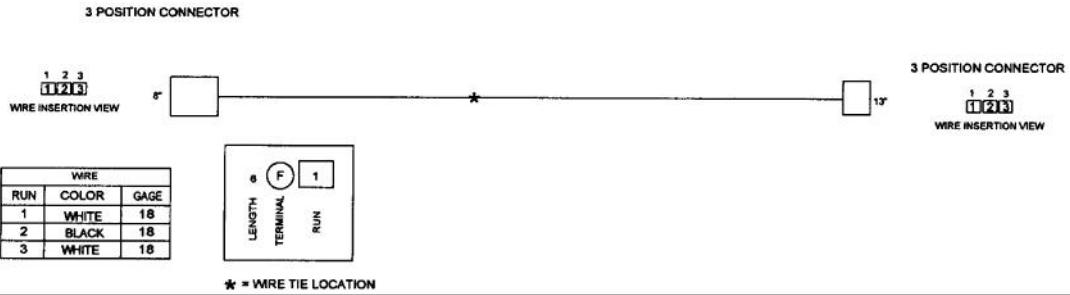


| Ref # | Part Number | Qty. | Description |
|-------|---------------|------|---------------------------------------|
| 1 | PE030167 | | 30 DOOR HANDLE |
| 1 | PE030167PVD | | 30 DOOR HANDLE PVD |
| 2 | 001498-000 | | DESIGNER 27`` INSULATION RETAINER KIT |
| 3 | PC050002 | | DESIGNER DOOR HANDLE SPACER |
| 4 | PE040285 | | DESIGNER DOOR TRIM |
| 5 | PD020186 | | 1/4-20 X 3/4 HEX WASHER HEAD MS |
| 6 | PB070336 | | DOOR BRACKET INSULATION |
| 7 | A20010949 | | PANEL, INSULATION, INNNER DOOR |
| 8 | PE060093 | | 27 WINDOW PACK |
| 9 | G91010942 | | DOOR LINER ASSEMBLY |
| 10 | PB070245 | | 27 DOOR GASKET |
| 11 | 000594-000 | | BLACK FIBERGLASS ROPE 3/8 |
| 12 | PD020063 | | SCREW-NO.8(A) X 3/8PH WFR HD/BK OXID |
| 13 | A20012640 | | HINGE SUPPORT RH |
| 14 | PD020002 | | 10 X 1/2 PH.TR.HD.SMS. |
| 15 | PD020004 | | 10X3/8PH.HD.TYPE 25 REPL PD040125 |
| 16 | A20012641 | | HINGE SUPPORT LH |
| 17 | PC020248 | | DOOR HINGE |
| 18 | 001453-002 | | 27 IN DES. DOOR SKIN KIT W/LOGO - BK |
| 18 | 001453-003 | | 27 IN DES. DOOR SKIN KIT W/LOGO - BT |
| 18 | 001453-005 | | 27 IN DES. DOOR SKIN KIT W/LOGO - GG |
| 18 | 001453-004 | | 27 IN DES. DOOR SKIN KIT W/LOGO - SG |
| 18 | 001453-000 | | 27 IN DES. DOOR SKIN KIT W/LOGO - SS |
| 18 | 001453-006 | | 27 IN DES. DOOR SKIN KIT W/LOGO - WH |
| 19 | PD020032 | | SRW-8(A)X3/8PH.WFR HD 7/16DIAXNICL |
| NI | G32012811BK | | 27 DOOR ASSY W/LOGO XBKX |
| NI | G32012811BKBR | | 27 DOOR ASSY W/LOGO XBKBRX |
| NI | G32012811BT | | 27 DOOR ASSY W/LOGO XBTX |
| NI | G32012811BTBR | | 27 DOOR ASSY W/LOGO XBTBRX |
| NI | G32012811GG | | 27 DOOR ASSY W/LOGO XGGX |
| NI | G32012811GGBR | | 27 DOOR ASSY W/LOGO XGGBRX |
| NI | G32012811SG | | 27 DOOR ASSY W/LOGO XSGX |
| NI | G32012811SGBR | | 27 DOOR ASSY W/LOGO XSGBRX |
| NI | G32012811SS | | 27 DOOR ASSY W/LOGO |
| NI | G32012811SSBR | | 27 DOOR ASSY W/LOGO XSSBRX |
| NI | G32012811WH | | 27 DOOR ASSY W/LOGO XWHX |
| NI | G32012811WHBR | | 27 DOOR ASSY W/LOGO XWHBRX |
| NI | 017736-000 | | WINDOW PACK INSULATION KIT |

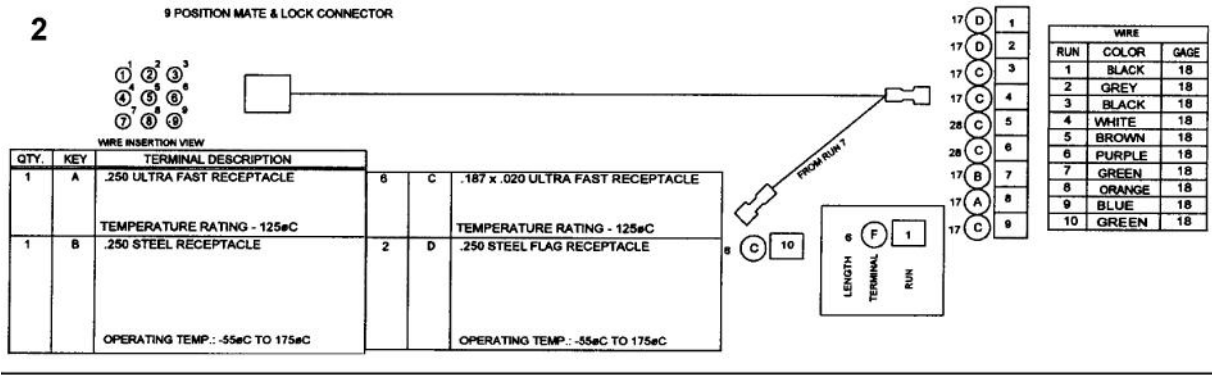


| Ref # | Part Number | Qty. | Description |
|-------|---------------|------|--|
| 1 | PE030167 | | 30 DOOR HANDLE |
| 1 | PE030167PVD | | 30 DOOR HANDLE PVD |
| 2 | 001498-000 | | DESIGNER 27`` INSULATION RETAINER KIT |
| 3 | PC050002 | | DESIGNER DOOR HANDLE SPACER |
| 4 | PE040285 | | DESIGNER DOOR TRIM |
| 5 | PD020186 | | 1/4-20 X 3/4 HEX WASHER HEAD MS |
| 6 | PB070336 | | DOOR BRACKET INSULATION |
| 7 | A20010949 | | PANEL, INSULATION, INNNER DOOR |
| 8 | PE060093 | | 27 WINDOW PACK |
| 9 | G91010942 | | DOOR LINER ASSEMBLY |
| 10 | PB070245 | | 27 DOOR GASKET |
| 11 | 000594-000 | | BLACK FIBERGLASS ROPE 3/8 |
| 12 | PD020063 | | SCREW-NO.8(A) X 3/8PH WFR HD/BK OXID |
| 13 | A20012640 | | HINGE SUPPORT RH |
| 14 | PD020002 | | 10 X 1/2 PH.TR.HD.SMS. |
| 15 | PD020004 | | 10X3/8PH.HD.TYPE 25 REPL PD040125 |
| 16 | A20012641 | | HINGE SUPPORT LH |
| 17 | PC020248 | | DOOR HINGE |
| 18 | 001454-002 | | 27 IN DES DOOR SKIN KIT W/O LOGO - BK |
| 18 | 001454-003 | | 27 IN DES. DOOR SKIN KIT W/O LOGO - BT |
| 18 | 001454-005 | | 27 IN DES. DOOR SKIN KIT W/O LOGO - GG |
| 18 | 001454-004 | | 27 IN DES DOOR SKIN KIT W/O LOGO - SG |
| 18 | 001454-000 | | 27 IN DES. DOOR SKIN KIT W/O LOGO - SS |
| 18 | 001454-006 | | 27 IN DES. DOOR SKIN KIT W/O LOGO - WH |
| 19 | PD020032 | | SRW-8(A)X3/8PH.WFR HD 7/16DIAXNICL |
| NI | G32014007BK | | 27 DOOR ASSY W/O LOGO XBKX |
| NI | G32014007BKBR | | 27 DOOR ASSY W/O LOGO XBKBRX |
| NI | G32014007BT | | 27 DOOR ASSY W/O LOGO XBTX |
| NI | G32014007BTBR | | 27 DOOR ASSY W/O LOGO XBTBRX |
| NI | G32014007GG | | 27 DOOR ASSY W/O LOGO XGGX |
| NI | G32014007GGBR | | 27 DOOR ASSY W/O LOGO XGGBRX |
| NI | G32014007SG | | 27 DOOR ASSY W/O LOGO XSGX |
| NI | G32014007SGBR | | 27 DOOR ASSY W/O LOGO XSGBRX |
| NI | G32014007SS | | 27 DOOR ASSY W/O LOGO |
| NI | G32014007SSBR | | 27 DOOR ASSY W/O LOGO XSSBRX |
| NI | G32014007WH | | 27 DOOR ASSY W/O LOGO XWHX |
| NI | G32014007WHBR | | 27 DOOR ASSY W/O LOGO XWHBRX |
| NI | 017736-000 | | WINDOW PACK INSULATION KIT |

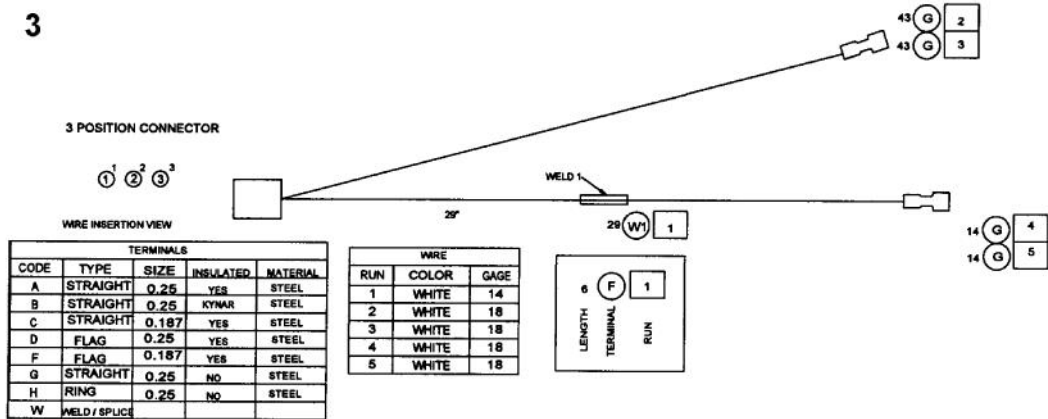
1



2

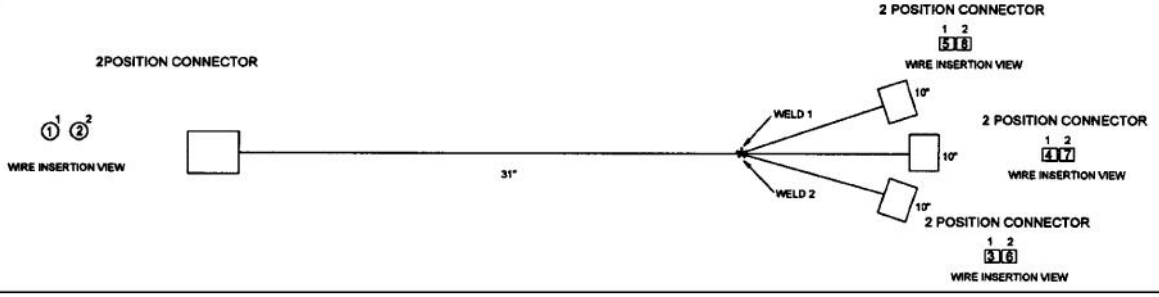


3



| Ref # | Part Number | Qty. | Description |
|-------|-------------|------|------------------------------------|
| 1 | PE070738 | | T/STAT-SEL HARNESS |
| NI | PE070733 | | UPPER LATCH HARNESS |
| NI | PE070739 | | BAKE ELEMENT HARNESS |
| NI | G4005496 | | SUPPLY WIRE - 100 BK 10GA SO/DO |
| NI | G4005497 | | SUPPLY WIRE - 100 GREEN 10GA SO/DO |
| NI | G4005499 | | SUPPLY WIRE - 100 RED 10GA SO/DO |
| NI | G4005494 | | SUPPLY WIRE - 75 WH 12 GA SO/DO |

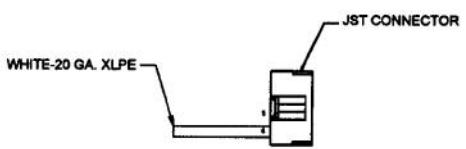
1



2

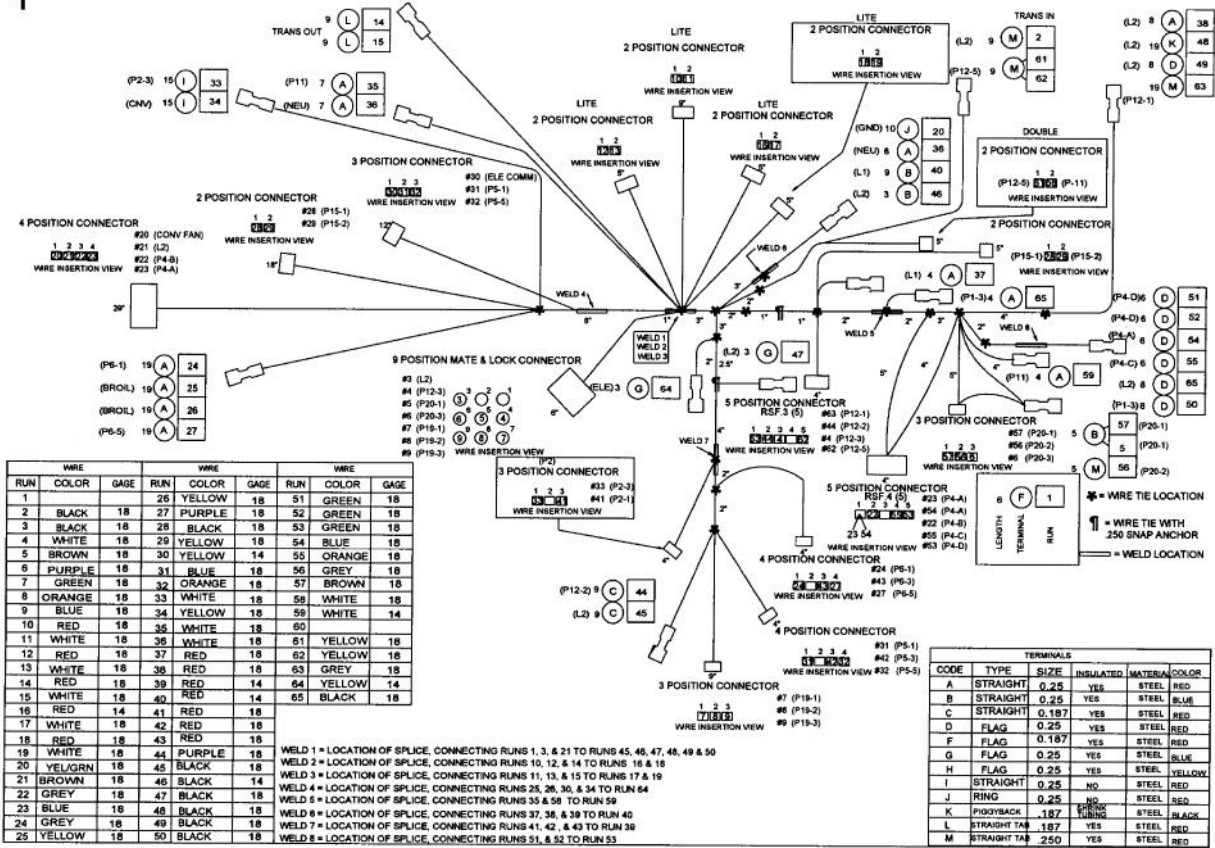


3

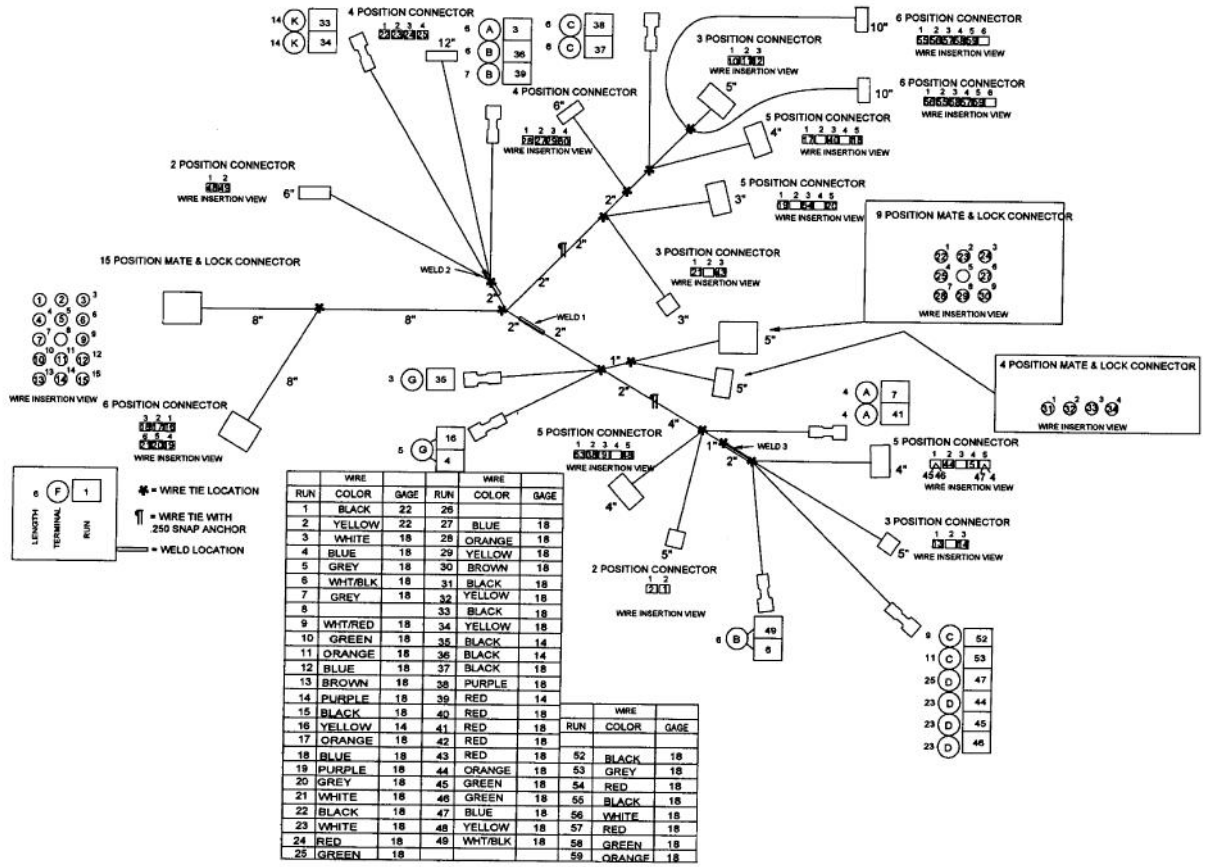


| Ref # | Part Number | Qty. | Description |
|-------|-------------|------|----------------------|
| 1 | PE070741 | | LOWER LIGHT HARNESS |
| 2 | PE070744 | | DOUBLE CLOCK HARNESS |
| 3 | PE070796 | | 6 POSITION 27 L.O. |

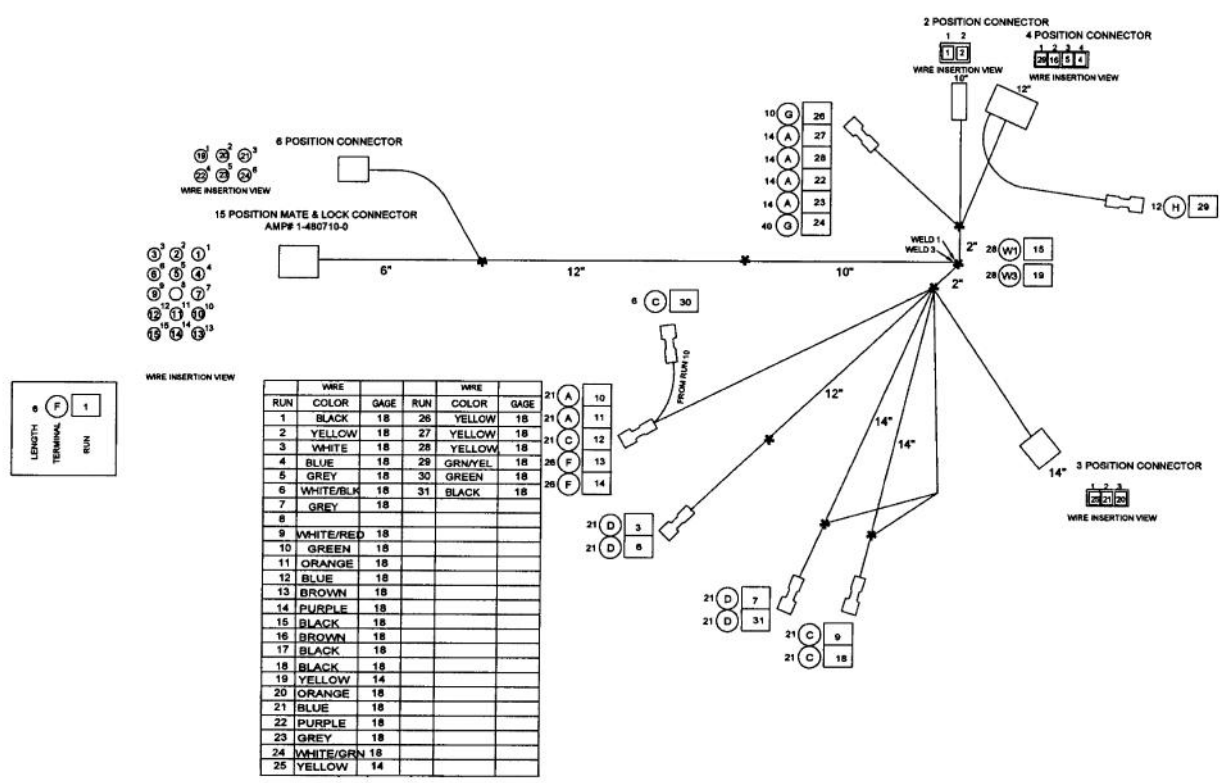
1



| Ref # | Part Number | Qty. | Description |
|-------|-------------|------|-----------------------|
| 1 | PE070742 | | UPPER CONTROL HARNESS |



| Ref # | Part Number | Qty. | Description |
|-------|-------------|------|-----------------------|
| 1 | PE070736 | | LOWER CONTROL HARNESS |



| Ref # | Part Number | Qty. | Description |
|-------|-------------|------|---------------------|
| 1 | PE070740 | | LOWER LATCH HARNESS |