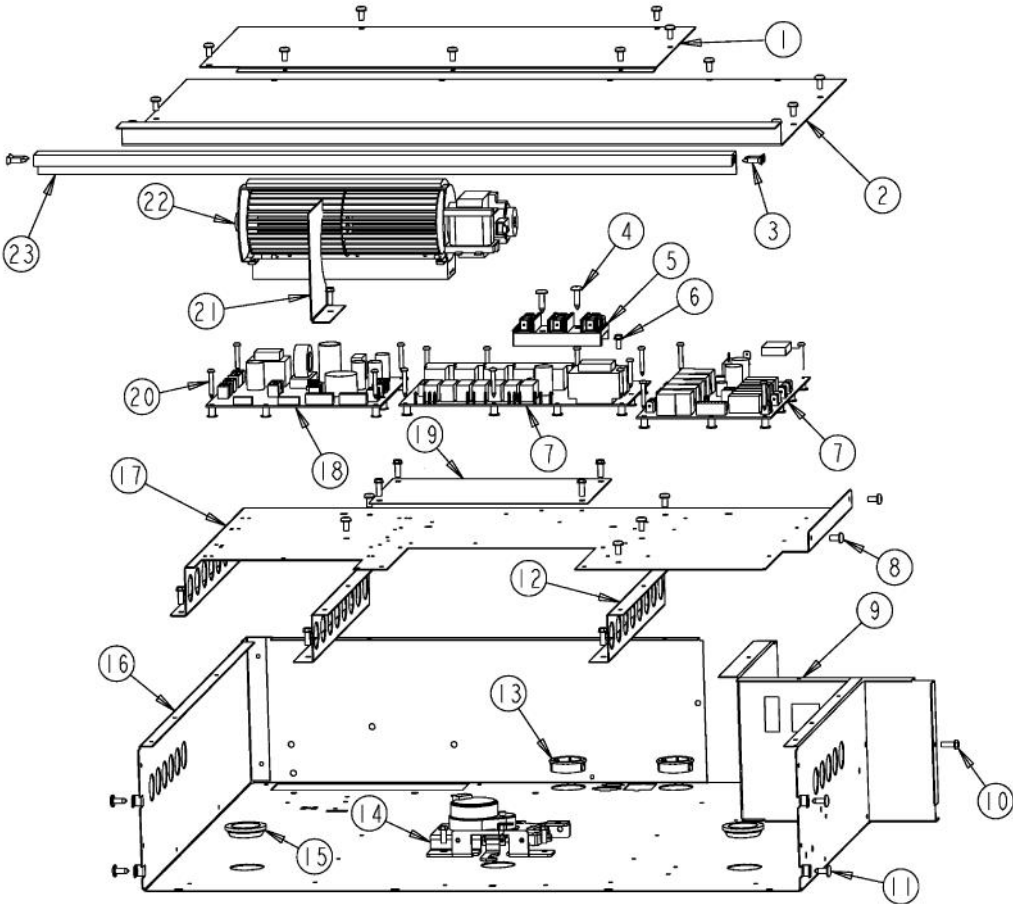
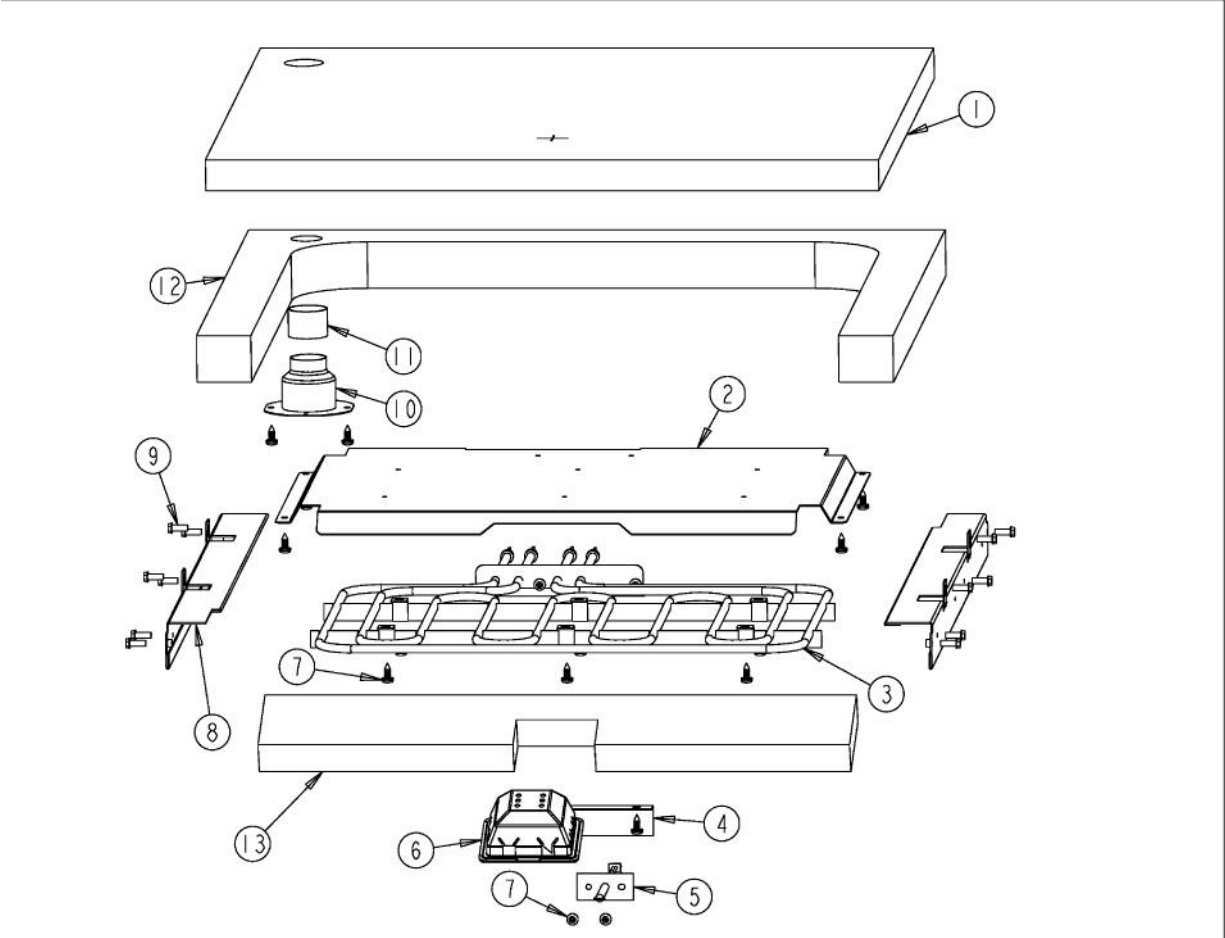


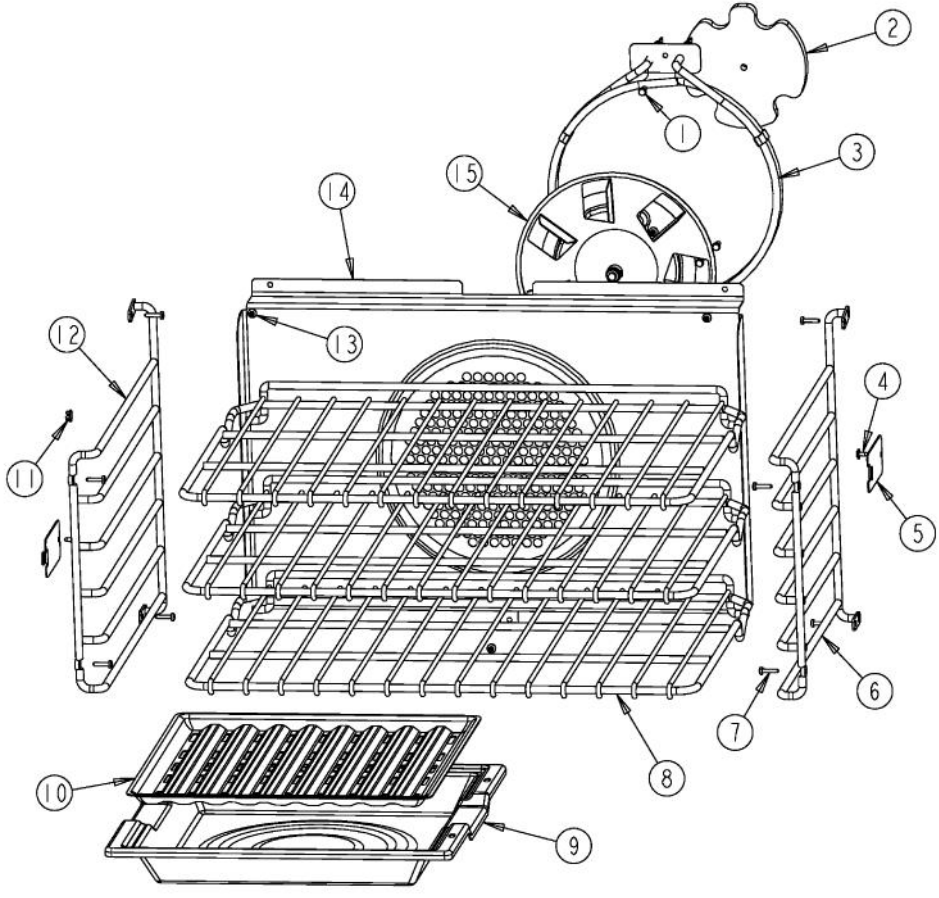
Ref #	Part Number	Qty.	Description
1	A10014028	1	2 CAPACITOR BRACKET
2	PE050247	2	EBM FAN MOTOR CAPACITOR
3	PD040164	2	5/16 INTERNAL TOOTH LOCK WASHER TYPE A
4	PD030172	2	M8 X 1.25MM NUT
5	A20014023	1	TOUCH CONTROL MTG. PNL. 27
6	PD020004	6	10X3/8PH.HD.TYPE 25 REPL PD040125
7	A20012649	1	DOOR SWITCH BRACKET
8	PE050208	1	DOOR SWITCH
9	C90014073BK	1	27 INLET GRILL
10	PS500030BK	1	27 SELECT TOUCH DOUBLE CONTROL PANEL ASSEMBLY -...
NI	PS500030BT	1	27 SELECT TOUCH DOUBLE CONTROL PANEL ASSEMBLY -...
NI	PS500030GG	1	27 SELECT TOUCH DOUBLE CONTROL PANEL ASSEMBLY -...
NI	PS500030SG	1	27 SELECT TOUCH DOUBLE CONTROL PANEL ASSEMBLY -...
NI	PS500030SS	1	27 SELECT TOUCH DOUBLE CONTROL PANEL ASSEMBLY -...
NI	PS500030WH	1	27 SELECT TOUCH DOUBLE CONTROL PANEL ASSEMBLY -...
11	PD040004	2	GROMMET BUMPER
12	PD020060	3	10 X 1/2 (5/16)HEX WSHR HD.(T)A
13	PJ030043	1	BI-METAL THERMOSTAT (N.C.) 180 DEGREES
14	PD020013	2	TYPE AB NO.6 X 3/8 PH PAN HD. SMS



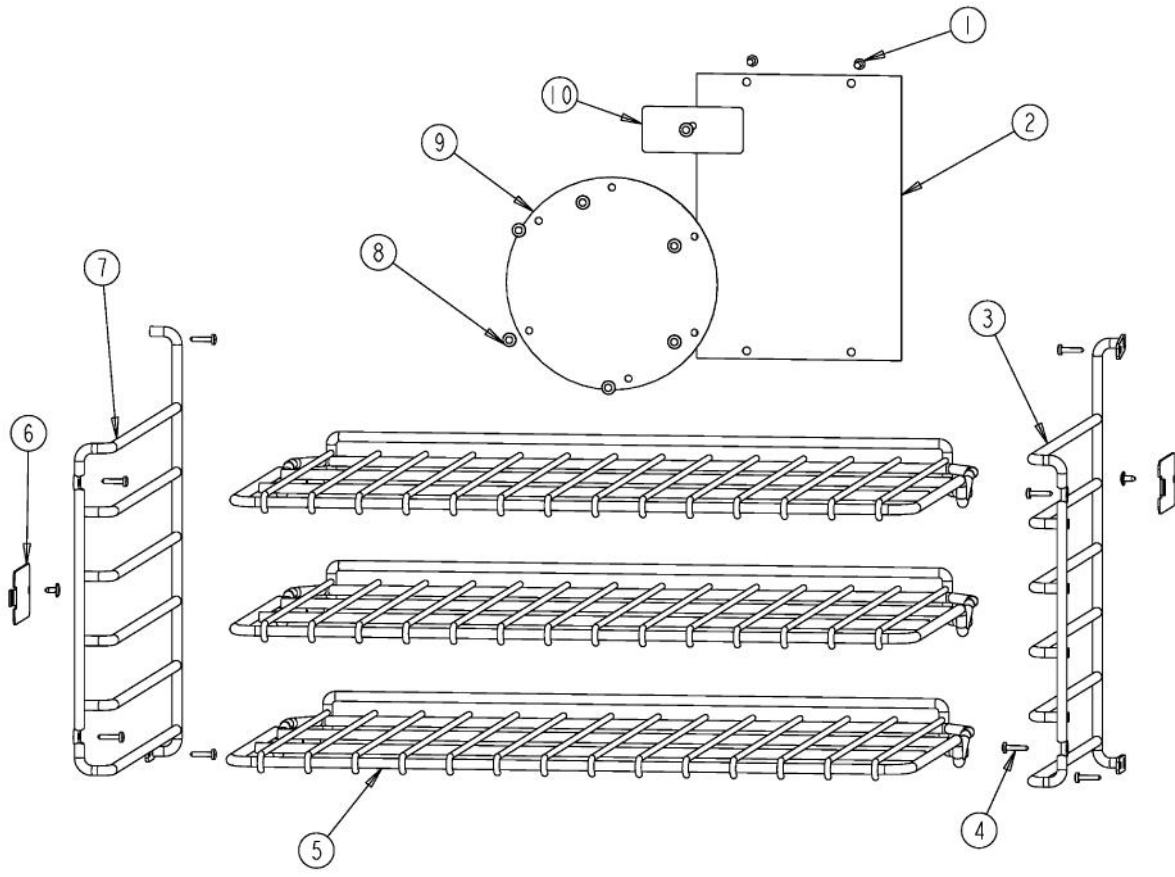
Ref #	Part Number	Qty.	Description
1	A20014047	1	27 REAR COVER
2	A20014046	1	27 FRONT COVER
3	PD020061	4	NO.8 X 3/4 FLAT HD TEK. SS.
4	PD020014	2	10X3/4 PH TR HD SMS
5	PE070147	1	TERMINAL BLOCK
6	PD020010	1	10 X 3/8 GREEN GROUNDING SCREW
7	PE050234	2	RELAY BOARD
8	PD020004	7	10X3/8PH.HD.TYPE 25 REPL PD040125
9	A20010934	1	BRACKET, MODULE PAN
10	PD020060	1	10 X 1/2 (5/16)HEX WSHER HD.(T)A
11	PD020002	4	10 X 1/2 PH.TR.HD.SMS.
12	A20010910	1	BRACKET, SUPPORT, ELECTRONICS HAT
13	PD040152	2	SNAP BUSHING
14	PE050210	1	DOOR LATCH
15	PB070079	2	SILICONE EXTRUSION (DGSU)
16	A20010933	1	MODULE PAN 27
17	A20010935	1	ELECTRONICS HAT
18	PE050233	1	CONTROL BOARD
19	A10010911	1	COVER, LATCH
20	PD020185	15	NO.6 X 1 PAN HEAD SCREW
21	A2009667	1	REAR AIR DIVIDER
22	PE050250	1	PREMIUM BLOWER WITH HES
23	PE040279	1	27 DES. TOP TRIM



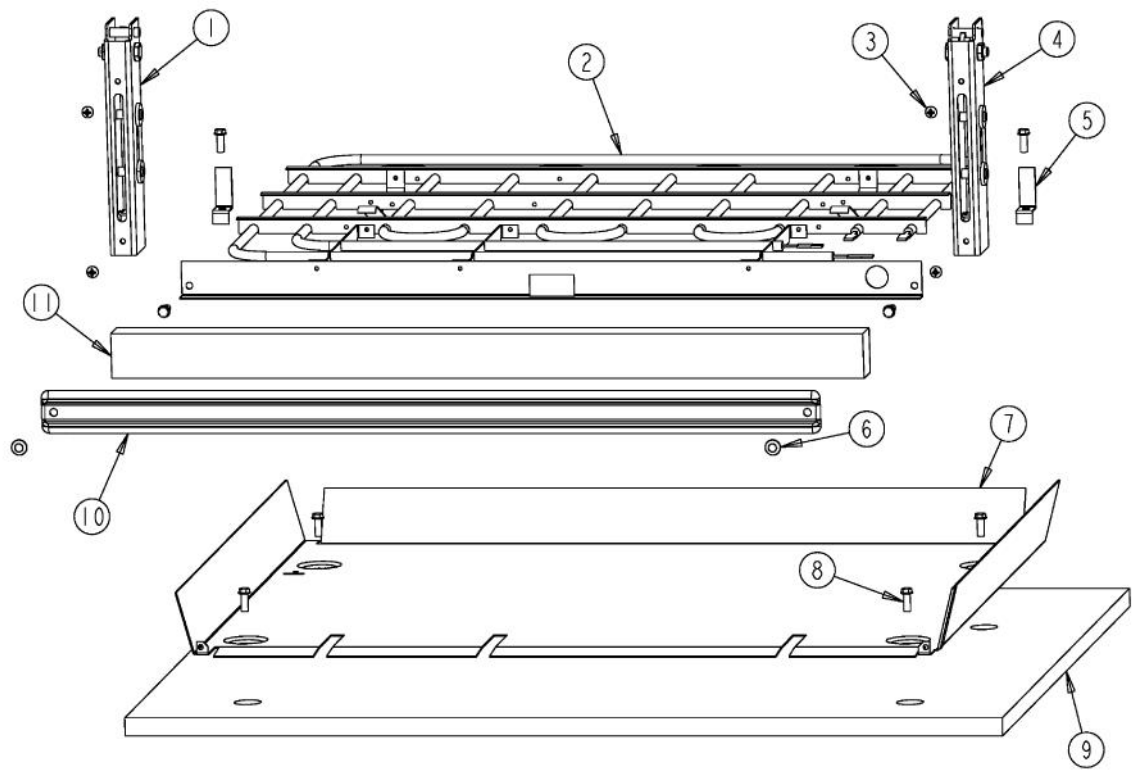
Ref #	Part Number	Qty.	Description
1	PB070307	1	27 TOP INSULATION
2	A20014021	1	REFLECTOR, BROIL
3	PJ010049	1	BROIL ELEMENT
4	A20014044	1	BROIL ELEMENT SHIELD
5	PE050206	1	RTD THERMOSTAT PROBE
6	PE050239	1	HALOGEN LAMP
7	PD020055	14	NO.10 X 1/2 PAN PHIL. TEK. SS
8	A2009641	1	BRKT, TOP WRAPPER
9	PD020060	12	10 X 1/2 (5/16)HEX WSHER HD.(T)A
10	PM010014	1	SMOKE ELIMINATOR (VDSC)
11	PB020275	1	VENT TUBE
12	PB070306	1	27 TOP BROIL INSULATION
13	PB070337	1	LINER FRONT INSULATION



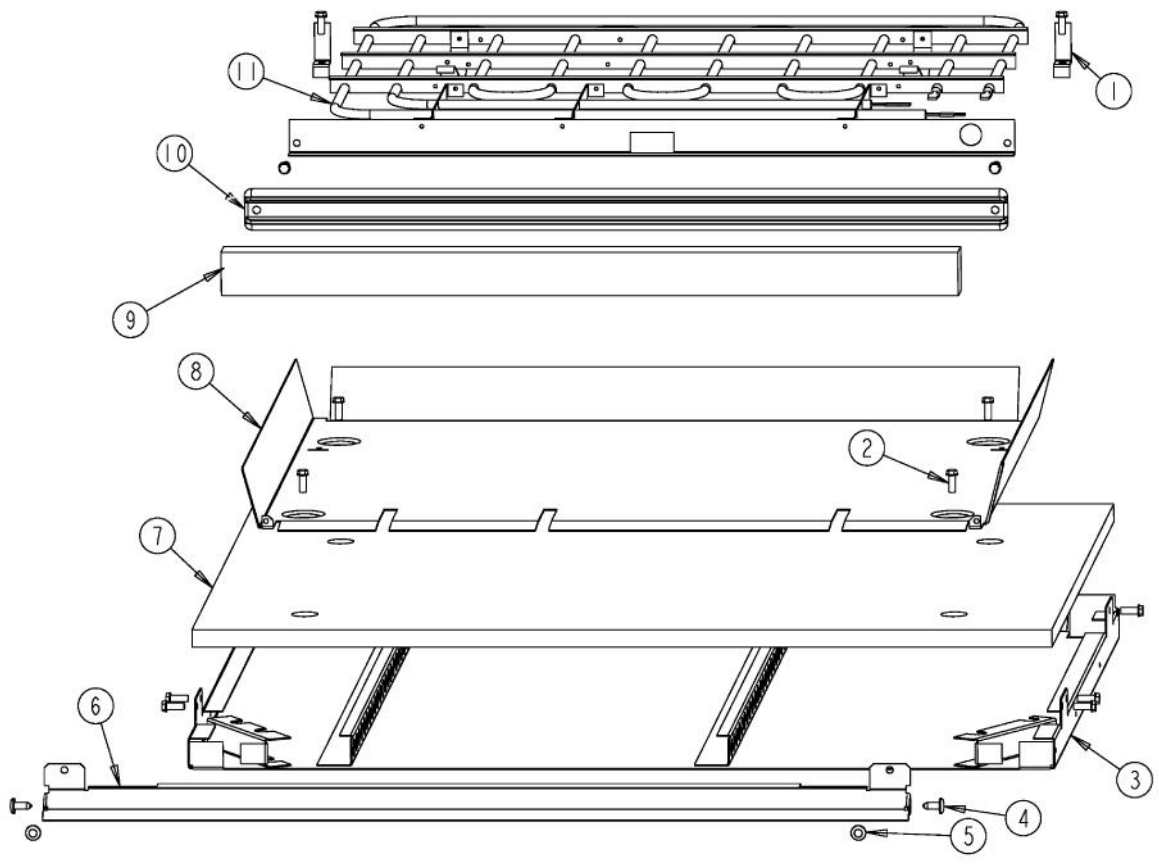
Ref #	Part Number	Qty.	Description
1	PD020060	1	10 X 1/2 (5/16)HEX WSHR HD.(T)A
2	PB070312	1	CONVECTION MOTOR MTG. PLATE INSULATION
3	PJ010047	1	CONVECTION ELEMENT
4	PD020232	2	NO.8 X 3/4 PH PAN HEAD TEK SCREW (BLACK OXIDE)
5	E91012614	2	LIGHT HOLE COVER
6	PB060103	1	RACK SUPPORT RH
7	PD020055	8	NO.10 X 1/2 PAN PHIL. TEK. SS
8	PB060105	3	27 OVEN RACK
8	PD020055	1	NO.10 X 1/2 PAN PHIL. TEK. SS
9	E9107933	1	BROILER PAN
10	E9107934	1	BROILER PAN INSERT
11	E91014053	1	PORCELAIN 25/64 HOLE PLUG
12	PB060104	1	RACK SUPPORT LH
13	PD020004	3	10X3/8PH.HD.TYPE 25 REPL PD040125
14	G91013597	1	27 BAFFLE ASSEMBLY
15	G32014020	1	CONVECTION FAN ASSY



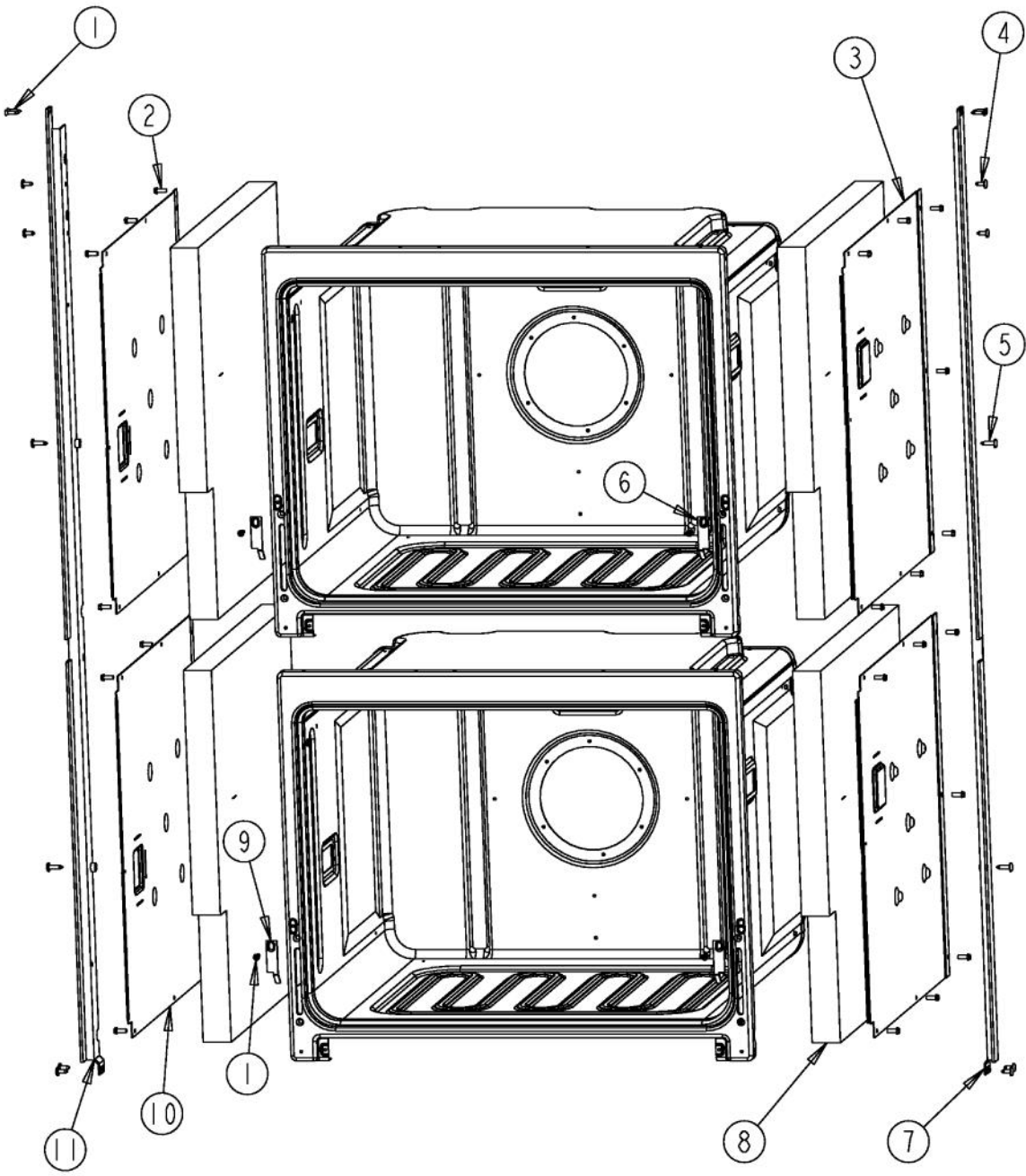
Ref #	Part Number	Qty.	Description
1	PD020060	4	10 X 1/2 (5/16)HEX WSHER HD.(T)A
2	A10012648	1	BACK COVER
3	PB060103	1	RACK SUPPORT RH
4	PD020232	8	NO.8 X 3/4 PH PAN HEAD TEK SCREW (BLACK OXIDE)
5	PB060105	3	27 OVEN RACK
6	E91012614	2	LIGHT HOLE COVER
7	PB060104	1	RACK SUPPORT LH
8	PD020063	6	SCREW-NO.8(A) X 3/8PH WFR HD/BK OXID
9	E91012615	1	CONVECTION HOLE COVER
10	E91012616	1	CONV. ELEMENT HOLE COVER



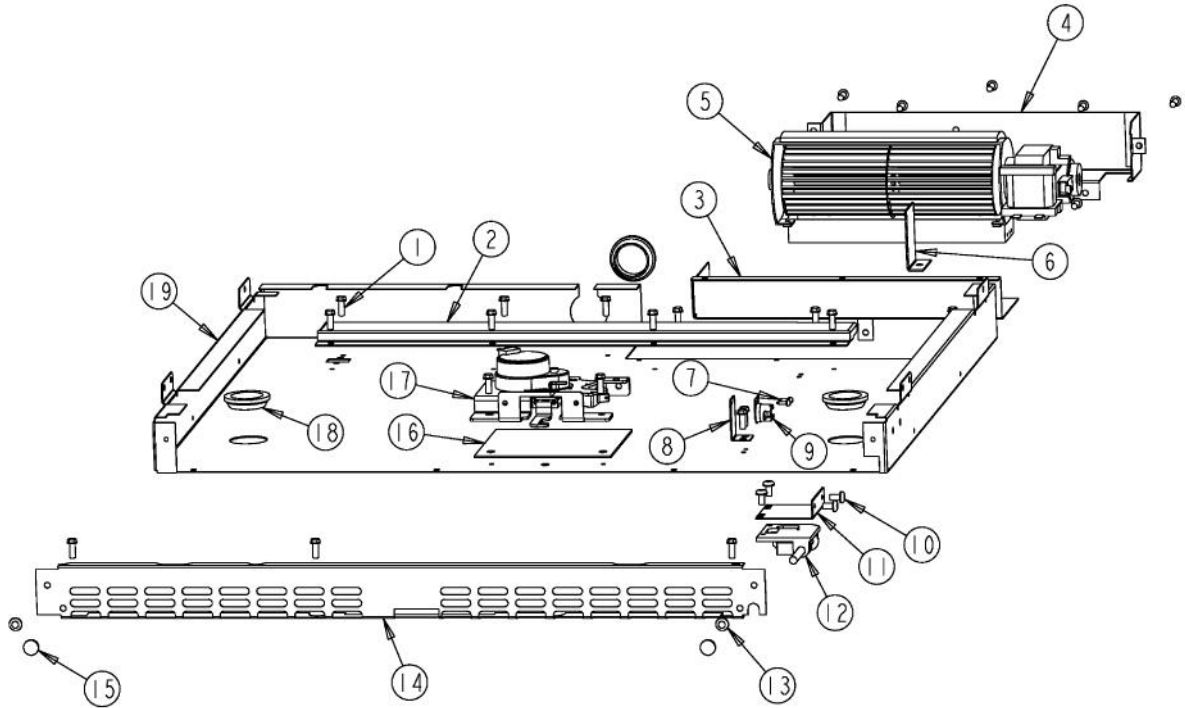
Ref #	Part Number	Qty.	Description
1	PC020247	1	HINGE POCKET RECEIVER MANSFIELD LH
2	PJ010048	1	BAKE ELEMENT
3	PD020062	4	NO.8-32 X 3/8 PHMS TYPE 1
4	PC020221	1	HINGE POCKET RECEIVER MANSFIELD RH
5	A2009696	2	HOLDER, BAKE ELEMENT
6	PD020063	2	SCREW-NO.8(A) X 3/8PH WFR HD/BK OXID
7	A20010932	1	ELEMENT, MTG TRAY
8	PD020060	4	10 X 1/2 (5/16)HEX WSHR HD.(T)A
9	PB070300	1	27 BOTTOM INSULATION
10	E2109655	1	COVER, BAKE TRAY
11	PB070309	1	BAKE ELEMENT INSULATION



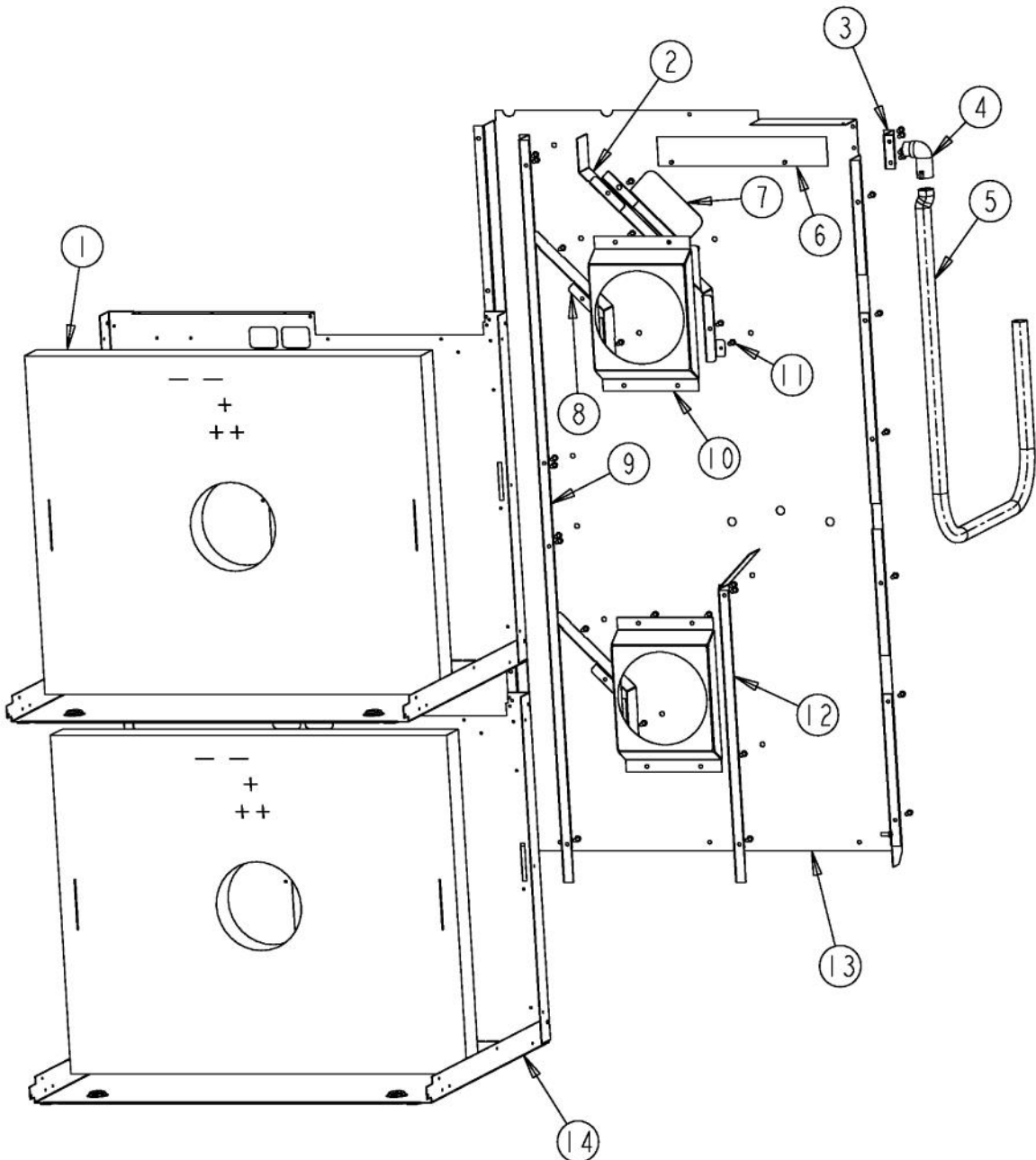
Ref #	Part Number	Qty.	Description
1	A2009696	2	HOLDER, BAKE ELEMENT
2	PD020060	4	10 X 1/2 (5/16)HEX WSHER HD.(T)A
3	G30010922	1	BASE MODULE ASSY 27
4	PD020002	2	10 X 1/2 PH.TR.HD.SMS.
5	PD020063	2	SCREW-NO.8(A) X 3/8PH WFR HD/BK OXID
6	C90012822BK	1	BOTTOM AIR DEFLECTOR 27
7	PB070300	1	27 BOTTOM INSULATION
8	A20010932	1	ELEMENT, MTG TRAY
9	PB070309	1	BAKE ELEMENT INSULATION
10	E9109655	1	BAKE TRAY COVER
11	PJ010048	1	BAKE ELEMENT



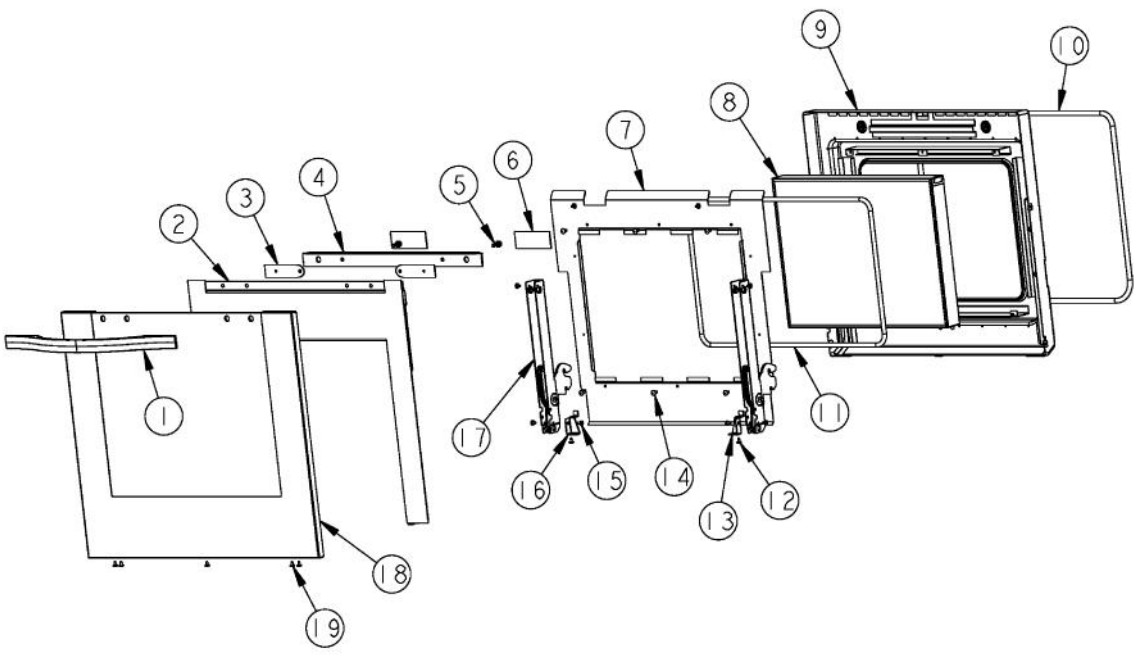
Ref #	Part Number	Qty.	Description
1	PD020061	8	NO.8 X 3/4 FLAT HD TEK. SS.
2	PD020060	24	10 X 1/2 (5/16)HEX WSHER HD.(T)A
3	A2009622	2	BRKT, TOP WRAPPER, RIGHT
4	PD020002	2	10 X 1/2 PH.TR.HD.SMS.
5	PD020014	6	10X3/4 PH TR HD SMS
6	B21010915	2	HINGE CLIP ? RH
7	PE040283	1	DES. DOUBLE SIDE TRIM RH
8	PB070302	4	SIDE INSULATION
9	B21010916	2	HINGE CLIP ? LH
10	A20012650	2	BRKT, TOP WRAPPER LEFT
11	PE040284	1	DES. DOUBLE SIDE TRIM LH



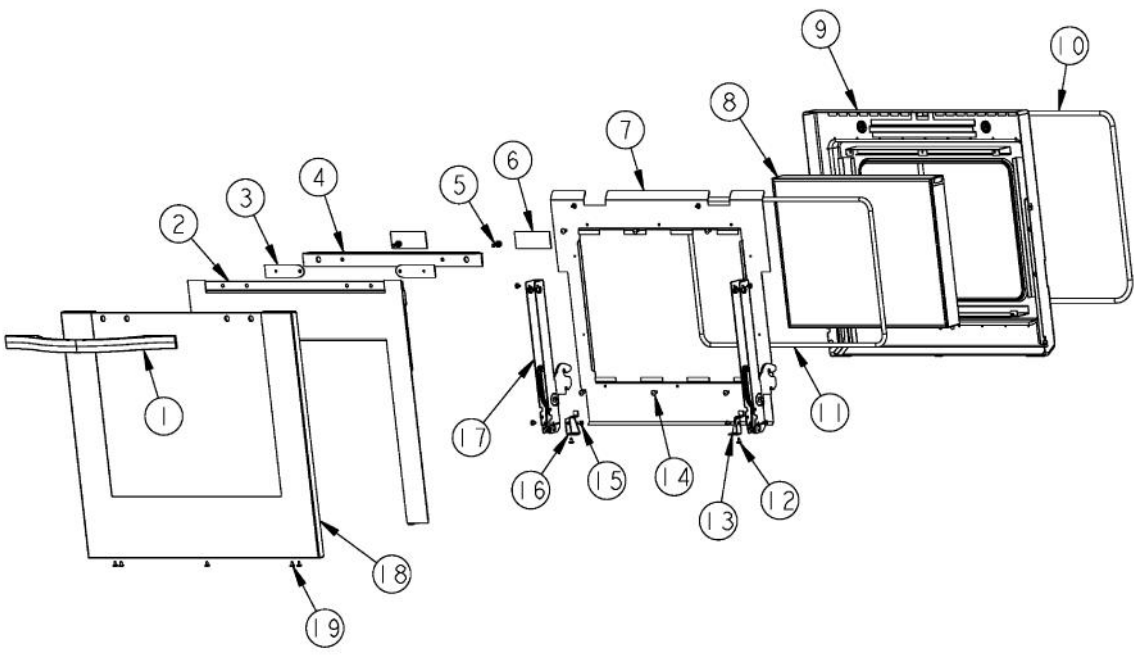
Ref #	Part Number	Qty.	Description
1	PD020060	14	10 X 1/2 (5/16)HEX WSHR HD.(T)A
2	A20012808	1	CATALYST EXHAUST, MIDDLE MODULE
3	A2009659	1	BRACKET, FILLER, BLOWER
4	A3009660	1	BRACKET, BLOWER, DBL LOWER OVEN
5	PE050250	1	PREMIUM BLOWER WITH HES
6	A20014036	1	BOTTOM BLOWER DIVIDER
7	PD020013	4	TYPE AB NO.6 X 3/8 PH PAN HD. SMS
8	A20014089	1	DISC BRACKET
9	PJ030039	1	BI-METAL THERMOSTAT 275 DEGREES
10	PD020004	4	10X3/8PH.HD.TYPE 25 REPL PD040125
11	A20012649	1	DOOR SWITCH BRACKET
12	PE050208	1	DOOR SWITCH
13	PD020063	2	SCREW-NO.8(A) X 3/8PH WFR HD/BK OXID
14	C90012803BK	1	INLET GRILL DBL LOWER OVEN 27
15	PD040004	2	GROMMET BUMPER
16	PB070321	1	LOWER LATCH INSULATION
17	PE050210	1	DOOR LATCH
18	PB070079	2	SILICONE EXTRUSION (DGSU)
19	A20012802	1	MODULE PAN 27



Ref #	Part Number	Qty.	Description
1	PB070301	1	27 BACK INSULATION
2	A21010918	1	BRACKET, AIR, CONVECTION MOTOR
3	A2009671	1	BRACKET, POWER CABLE
4	PB040070	1	CONDUIT FITTING (90 DEG)
5	PB020071	1	CONDUIT - FLEXIBLE (48)
6	A10010907	1	COVER, BLOWER
7	A20014052	1	WIRE SHIELD
8	A21010919	1	BRACKET, AIR, CONVECTION MOTOR
9	A2009684	1	REAR AIR DIVIDER, DOUBLE OVEN
10	A2009697	1	BRACKET, CONVECTION INSULATION
11	PD020060	18	10 X 1/2 (5/16)HEX WSHR HD.(T)A
12	A200128909	1	REAR AIR DIVIDER
13	A20012807	1	PANEL, REAR
14	A20010931	1	BASE, BACK WRAPPER, 27



Ref #	Part Number	Qty.	Description
1	PE030167	1	30 DOOR HANDLE
NI	PE030167PVD	1	30 DOOR HANDLE PVD
2	001498-000	1	DESIGNER 27`` INSULATION RETAINER KIT
3	PC050002	1	DESIGNER DOOR HANDLE SPACER
4	PE040285	1	DESIGNER DOOR TRIM
5	PD020186	2	1/4-20 X 3/4 HEX WASHER HEAD MS
6	PB070336	2	DOOR BRACKET INSULATION
7	A20010949	7	PANEL, INSULATION, INNNER DOOR
8	PE060093	1	27 WINDOW PACK
9	G91010942	1	DOOR LINER ASSEMBLY
10	PB070245	1	27 DOOR GASKET
11	000594-000	1	BLACK FIBERGLASS ROPE 3/8
12	PD020063	2	SCREW-NO.8(A) X 3/8PH WFR HD/BK OXID
13	A20012640	1	HINGE SUPPORT RH
14	PD020002	3	10 X 1/2 PH.TR.HD.SMS.
15	PD020004	6	10X3/8PH.HD.TYPE 25 REPL PD040125
16	A20012641	1	HINGE SUPPORT LH
17	PC020248	2	DOOR HINGE
18	001453-002	1	27 IN DES. DOOR SKIN KIT W/LOGO - BK
NI	001453-003	1	27 IN DES. DOOR SKIN KIT W/LOGO - BT
NI	001453-005	1	27 IN DES. DOOR SKIN KIT W/LOGO - GG
NI	001453-004	1	27 IN DES. DOOR SKIN KIT W/LOGO - SG
NI	001453-000	1	27 IN DES. DOOR SKIN KIT W/LOGO - SS
NI	001453-006	1	27 IN DES. DOOR SKIN KIT W/LOGO - WH
19	PD020032	5	SRW-8(A)X3/8PH.WFR HD 7/16DIAXNICL
NI	G32012811BK	1	27 DOOR ASSY W/LOGO XBKX
NI	G32012811BKBR	1	27 DOOR ASSY W/LOGO XBKBRX
NI	G32012811BT	1	27 DOOR ASSY W/LOGO XBTX
NI	G32012811BTBR	1	27 DOOR ASSY W/LOGO XBTBRX
NI	G32012811GG	1	27 DOOR ASSY W/LOGO XGGX
NI	G32012811GGBR	1	27 DOOR ASSY W/LOGO XGGBRX
NI	G32012811SG	1	27 DOOR ASSY W/LOGO XSGX
NI	G32012811SGBR	1	27 DOOR ASSY W/LOGO XSGBRX
NI	G32012811SS	1	27 DOOR ASSY W/LOGO
NI	G32012811SSBR	1	27 DOOR ASSY W/LOGO XSSBRX
NI	G32012811WH	1	27 DOOR ASSY W/LOGO XWHX
NI	G32012811WHBR	1	27 DOOR ASSY W/LOGO XWHBRX
NI	017736-000	1	WINDOW PACK INSULATION KIT



Ref #	Part Number	Qty.	Description
1	PE030167	1	30 DOOR HANDLE
NI	PE030167PVD	1	30 DOOR HANDLE PVD
2	001498-000	1	DESIGNER 27`` INSULATION RETAINER KIT
3	PC050002	2	DESIGNER DOOR HANDLE SPACER
4	PE040285	1	DESIGNER DOOR TRIM
5	PD020186	2	1/4-20 X 3/4 HEX WASHER HEAD MS
6	PB070336	1	DOOR BRACKET INSULATION
7	A20010949	1	PANEL, INSULATION, INNNER DOOR
8	PE060093	1	27 WINDOW PACK
9	G91010942	1	DOOR LINER ASSEMBLY
10	PB070245	1	27 DOOR GASKET
11	000594-000	1	BLACK FIBERGLASS ROPE 3/8
12	PD020063	2	SCREW-NO.8(A) X 3/8PH WFR HD/BK OXID
13	A20012640	1	HINGE SUPPORT RH
14	PD020002	3	10 X 1/2 PH.TR.HD.SMS.
15	PD020004	6	10X3/8PH.HD.TYPE 25 REPL PD040125
16	A20012641	1	HINGE SUPPORT LH
17	PC020248	2	DOOR HINGE
18	001454-002	1	27 IN DES DOOR SKIN KIT W/O LOGO - BK
NI	001454-003	1	27 IN DES. DOOR SKIN KIT W/O LOGO - BT
NI	001454-005	1	27 IN DES. DOOR SKIN KIT W/O LOGO - GG
NI	001454-004	1	27 IN DES DOOR SKIN KIT W/O LOGO - SG
NI	001454-000	1	27 IN DES. DOOR SKIN KIT W/O LOGO - SS
NI	001454-006	1	27 IN DES. DOOR SKIN KIT W/O LOGO - WH
19	PD020032	5	SRW-8(A)X3/8PH.WFR HD 7/16DIAXNICL
NI	G32014007BK	1	27 DOOR ASSY W/O LOGO XBKX
NI	G32014007BKBR	1	27 DOOR ASSY W/O LOGO XBKBRX
NI	G32014007BT	1	27 DOOR ASSY W/O LOGO XBTX
NI	G32014007BTBR	1	27 DOOR ASSY W/O LOGO XBTBRX
NI	G32014007GG	1	27 DOOR ASSY W/O LOGO XGGX
NI	G32014007GGBR	1	27 DOOR ASSY W/O LOGO XGGBRX
NI	G32014007SG	1	27 DOOR ASSY W/O LOGO XSGX
NI	G32014007SGBR	1	27 DOOR ASSY W/O LOGO XSGBRX
NI	G32014007SS	1	27 DOOR ASSY W/O LOGO
NI	G32014007SSBR	1	27 DOOR ASSY W/O LOGO XSSBRX
NI	G32014007WH	1	27 DOOR ASSY W/O LOGO XWHX
NI	G32014007WHBR	1	27 DOOR ASSY W/O LOGO XWHBRX
NI	017736-000	1	WINDOW PACK INSULATION KIT

*No Image
Available*

Ref #	Part Number	Qty.	Description
1	PE070845	1	TOUCH CONTROL KEYBOARD HARNESS
2	PE070846	1	TOUCH CONTROL DISPLAY HARNESS