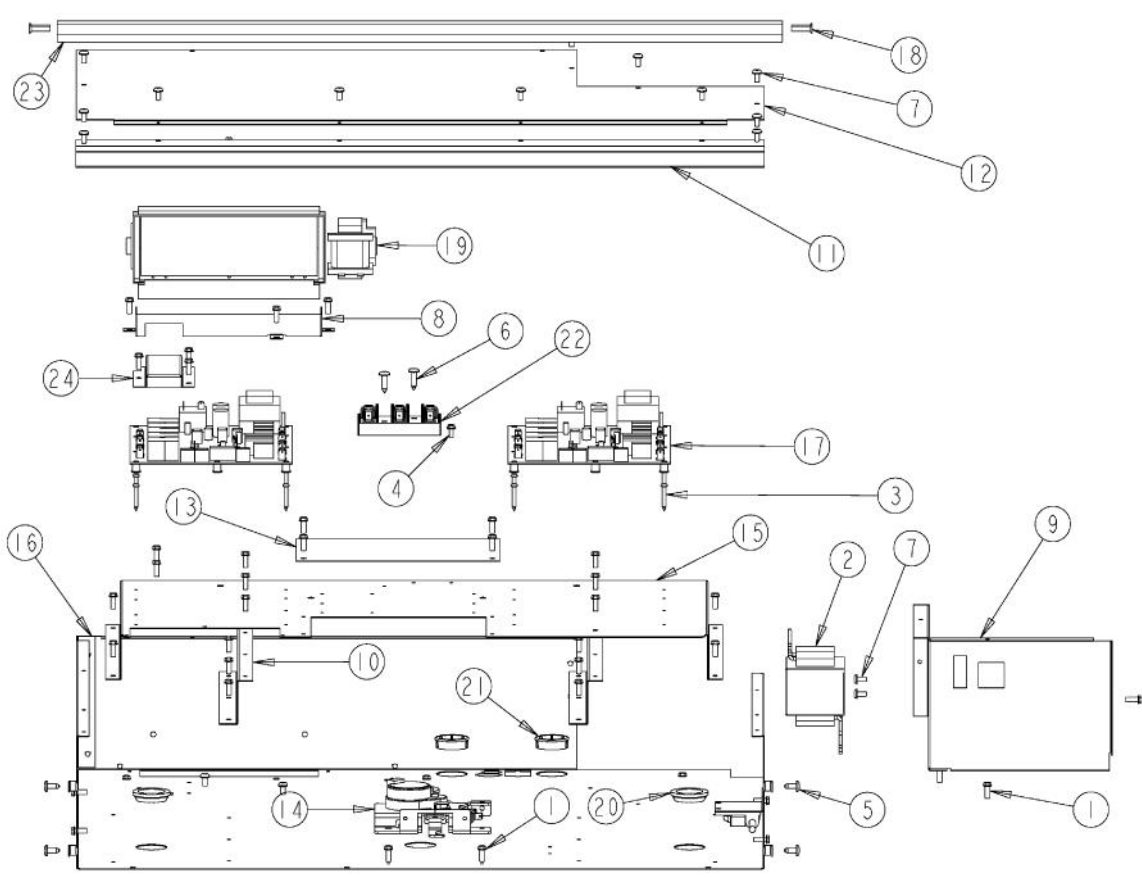
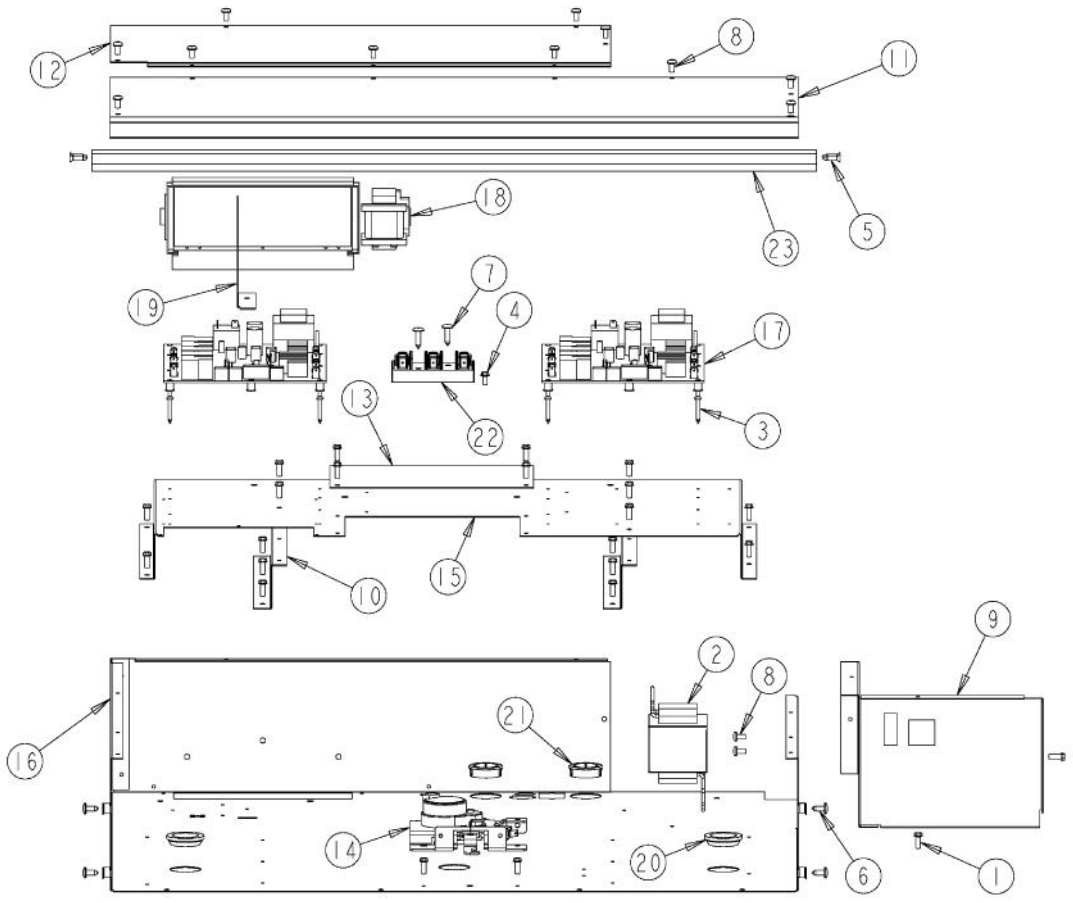


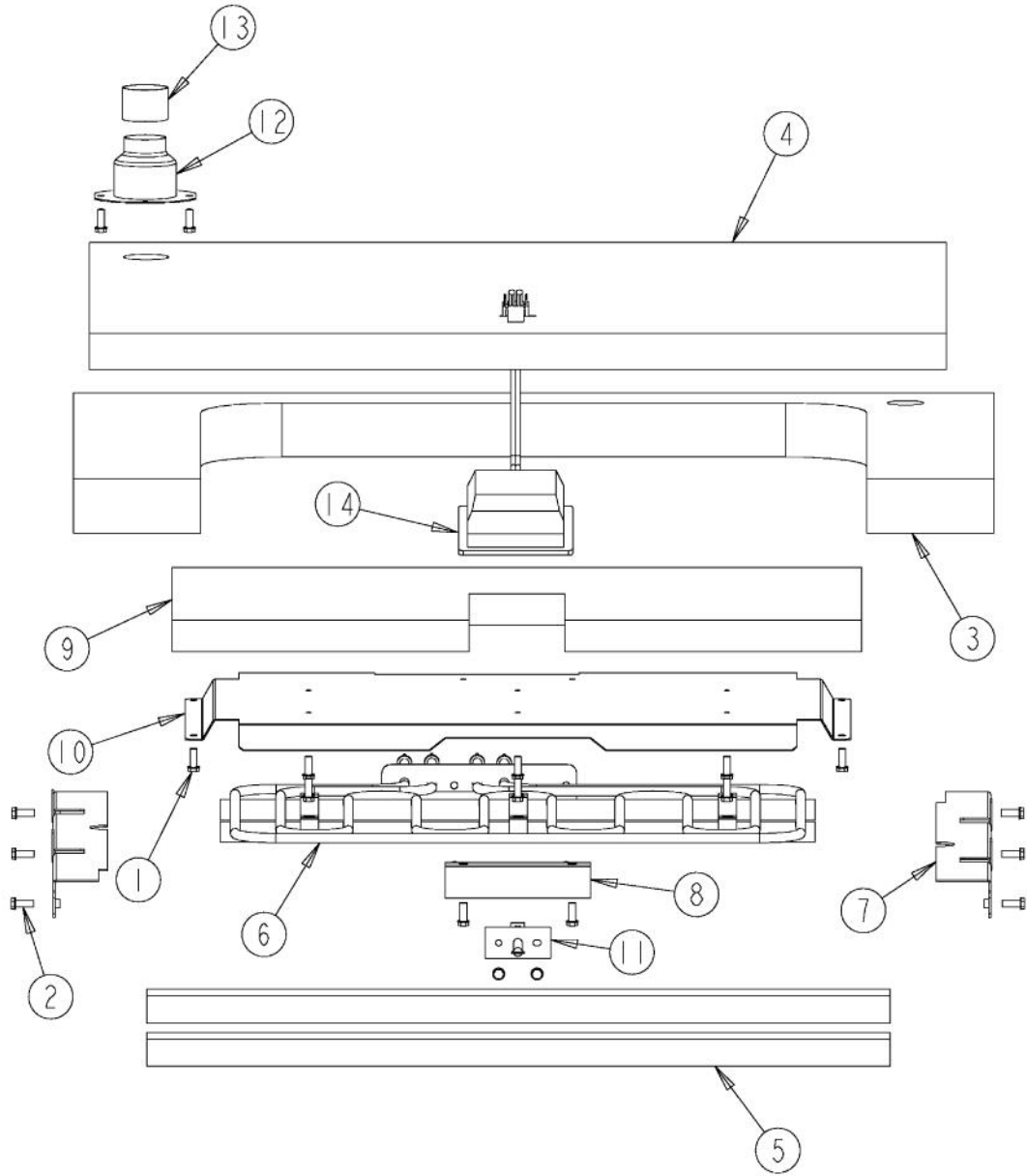
Ref #	Part Number	Qty.	Description
1	A20012638		CLOCK BRACKET
2	B92012625		30 PREM. DOUBLE CONTROL PNL.
	C92012625BK		30 PREM. DOUBLE CONTROL PNL. XBKX
	C92012625BT		30 PREM. DOUBLE CONTROL PNL. XBTX
	C92012625GG		30 PREM. DOUBLE CONTROL PNL. XGGX
	C92012625SG		30 PREM. DOUBLE CONTROL PNL. XSGX
	C92012625WH		30 PREM. DOUBLE CONTROL PNL. XWHX
3	PD020261		NO.8-32X1/2 PH PANHEAD MACH. SCREW
4	PE050208		DOOR SWITCH
5	PE050247		EBM FAN MOTOR CAPACITOR
6	A10014028		2 CAPACITOR BRACKET
7	PD020060		10 X 1/2 (5/16)HEX WSHER HD.(T)A
8	PD010003		10-24 X 1/2 PH.TR.HD.SERD.M.S.
9	PD020006		NO.6-32 X 1/4 PH.PAN HD. T(F)
10	PD020004		10X3/8PH.HD.TYPE 25 REPL PD040125
11	PE050214		CLOCK (DIGITAL 230V 50/60HZ)
12	A20012619		30 CONTROL MTG. PANEL
13	PD040164		5/16 INTERNAL TOOTH LOCK WASHER TYPE A
14	PD040160		3/8 STEEL WASHER
15	G50015486		DESIGNER LIMIT SWITCH KIT (BEFORE 07-24-06)
	PJ030043		BI-METAL THERMOSTAT (N.C.) 180 DEGREES (AFTER 07-24-06)
16	PB010315		DES. CLOCK BUTTON
17	PE050076		DESIGNER OVEN LIGHT SWITCH
18	PA010093		DESIGNER OVEN LT SWITCH KNOB
	PA010093PVD		DESIGNER OVEN LT SWITCH KNOB-BRASS
19	PA010194		DES. SELECTOR/THERMOSTAT KNOB
	PA010194PVD		DES. SELECTOR/THERMOSTAT KNOB-BRASS
	PA010195		DES. SELECTOR/THERMOSTAT KNOB - GREY
	PA010195PVD		SELECTOR / THERMOSTAT KNOB - WH / BR
20	A20012649		DOOR SWITCH BRACKET
21	PD040004		GROMMET BUMPER
22	C90014072BK		30 INLET GRILL
23	A10014045		LIGHT SWITCH BRACKET
24	PD030172		M8 X 1.25MM NUT
25	PD020013		TYPE AB NO.6 X 3/8 PH PAN HD. SMS
26	PJ030034		SELECTOR (6 POS)
27	PJ030033		SELECTOR (10 POS)
28	PB010314		TEST DESIGNER BIT GENERATOR KNOB
	PB010314PVD		TEST DESIGNER BIT GENERATOR KNOB-BRASS
29	PJ030035		THERMOSTAT
30	PE050078		VECU POWER LIGHT



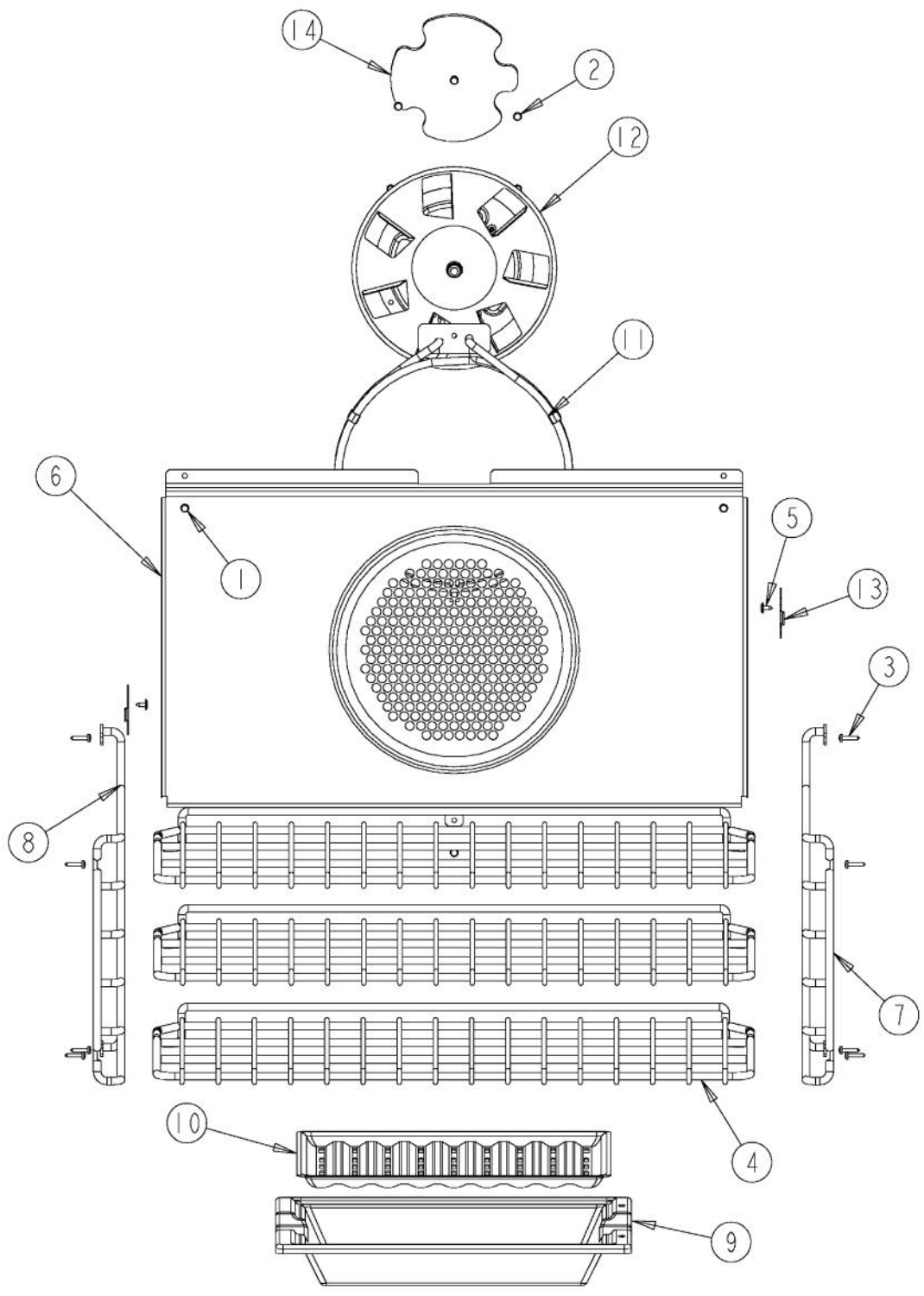
Ref #	Part Number	Qty.	Description
1	PD020060		10 X 1/2 (5/16)HEX WSHR HD.(T)A
2	PE070634		HALOGEN LIGHT TRANSFORMER
3	PD020185		NO.6 X 1 PAN HEAD SCREW
4	PD020010		10 X 3/8 GREEN GROUNDING SCREW
5	PD020002		10 X 1/2 PH.TR.HD.SMS.
6	PD020014		10X3/4 PH TR HD SMS
7	PD020004		10X3/8PH.HD.TYPE 25 REPL PD040125
8	A20014034		30 BLOWER BRACKET
9	A20010934		BRACKET, MODULE PAN
10	A20010910		BRACKET, SUPPORT, ELECTRONICS HAT
11	A20014048		30 FRONT COVER
12	A20014049		30 REAR COVER
13	A10010911		COVER, LATCH
14	PE050210		DOOR LATCH
15	A2009672		ELECTRONICS HAT
16	A2009643		MODULE PAN, TOP 30
17	PE070631		CONTROL BOARD
18	PD020170		NO.6-32 X 1/2 PHILLIPS C.S. TYPE F SCREW
19	PE050228		PREMIUM BLOWER
20	PB070079		SILICONE EXTRUSION (DGSU)
21	PD040152		SNAP BUSHING
22	PE070147		TERMINAL BLOCK
23	PE040280		30 DES. TOP TRIM
24	A20014033		UPPER VENT COVER



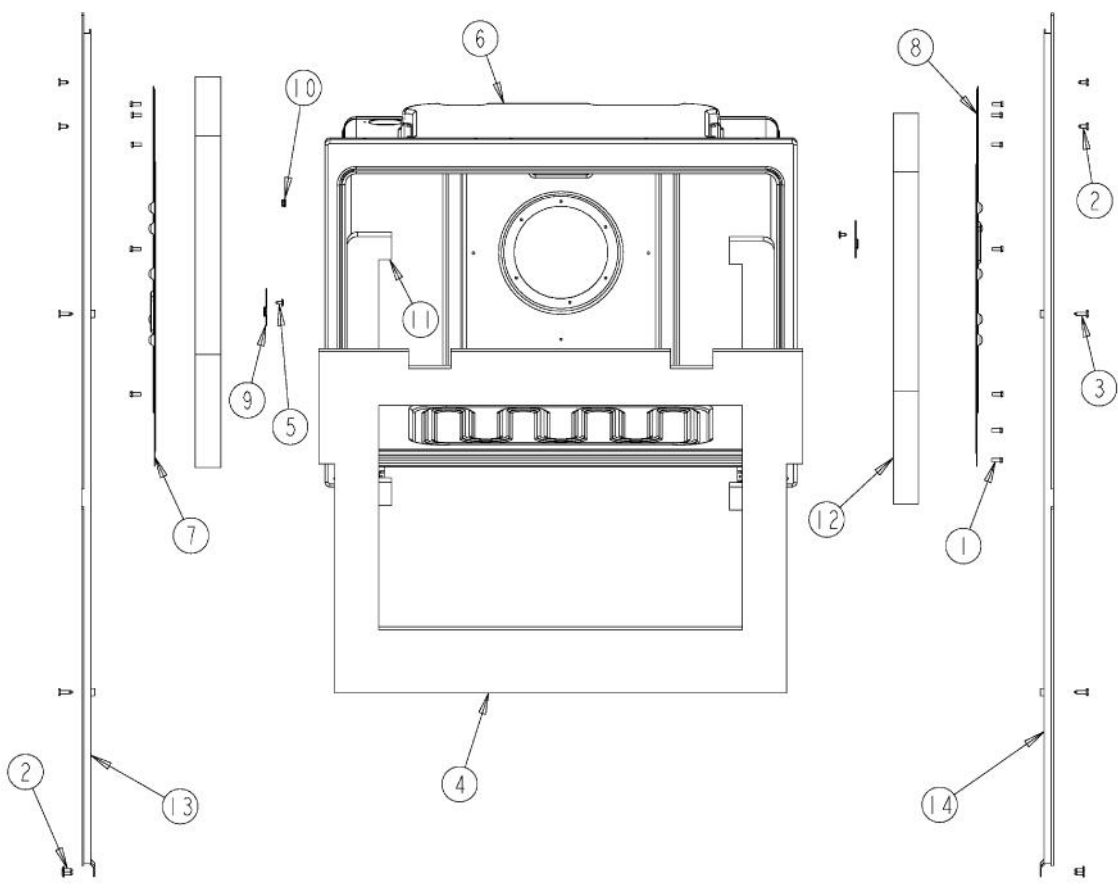
Ref #	Part Number	Qty.	Description
1	PD020060		10 X 1/2 (5/16)HEX WSHR HD.(T)A
2	PE070634		HALOGEN LIGHT TRANSFORMER (USED ONLY ON UNITS BEFORE SERIAL NO. C-0396)
3	PD020185		NO.6 X 1 PAN HEAD SCREW
4	PD020010		10 X 3/8 GREEN GROUNDING SCREW
5	PD020061		NO.8 X 3/4 FLAT HD TEK. SS.
6	PD020002		10 X 1/2 PH.TR.HD.SMS.
7	PD020014		10X3/4 PH TR HD SMS
8	PD020004		10X3/8PH.HD.TYPE 25 REPL PD040125
9	A20010934		BRACKET, MODULE PAN
10	A20010910		BRACKET, SUPPORT, ELECTRONICS HAT
11	A20014048		30 FRONT COVER
12	A20014049		30 REAR COVER
13	A10010911		COVER, LATCH
14	PE050210		DOOR LATCH
15	A2009672		ELECTRONICS HAT
16	A2009643		MODULE PAN, TOP 30
17	PE070631		CONTROL BOARD
18	PE050228		PREMIUM BLOWER
19	A2009667		REAR AIR DIVIDER
20	PB070079		SILICONE EXTRUSION (DGSU)
21	PD040152		SNAP BUSHING
22	PE070147		TERMINAL BLOCK
23	PE040280		30 DES. TOP TRIM



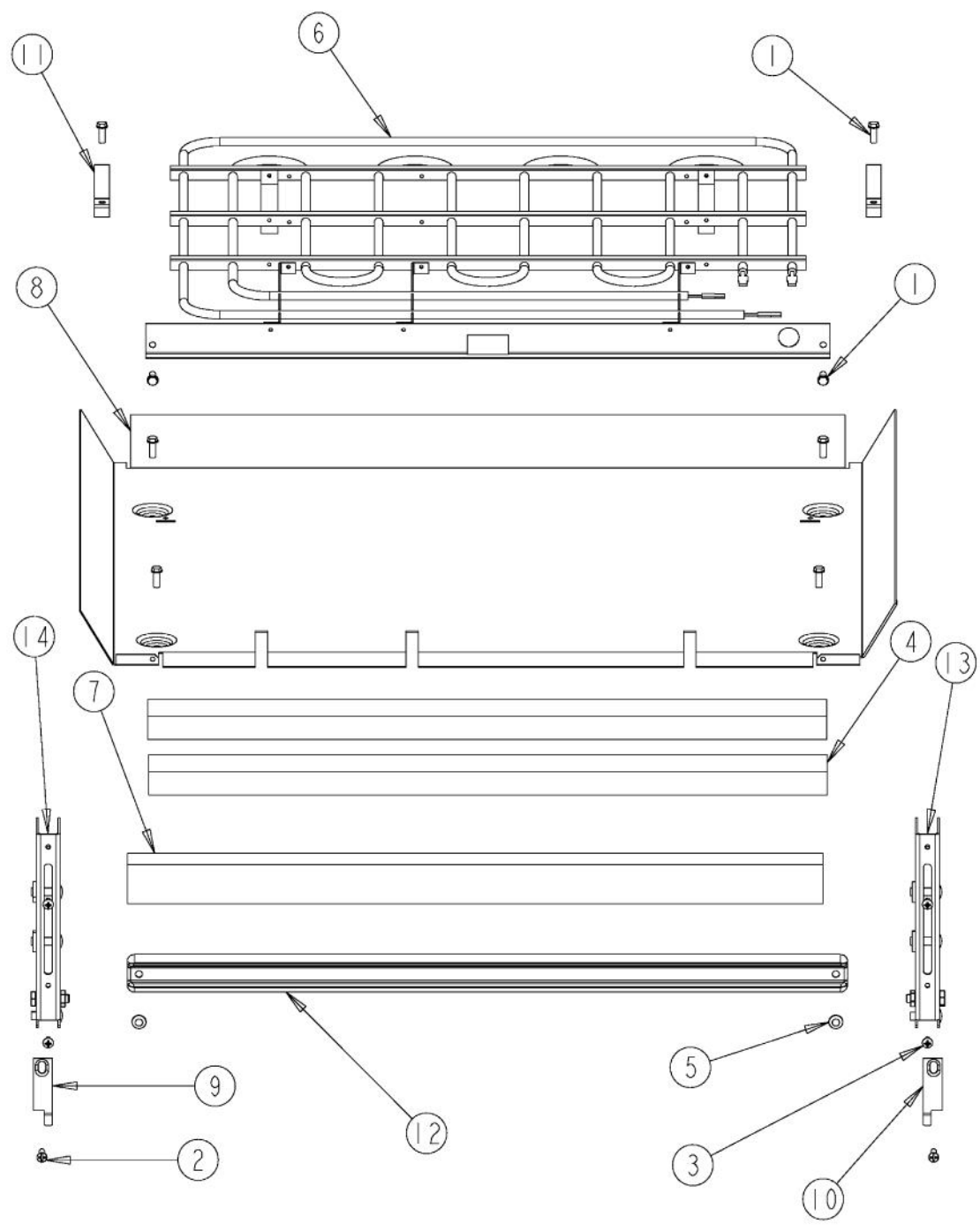
Ref #	Part Number	Qty.	Description
1	PD020055		NO.10 X 1/2 PAN PHIL. TEK. SS
2	PD020060		10 X 1/2 (5/16)HEX WSHER HD.(T)A
3	PB070305		30 TOP BROIL INSULATION
4	PB070308		30 TOP INSULATION
5	PB070269		30 WINDOW PACK INSULATION
6	PJ010049		BROIL ELEMENT
7	A2009641		BRKT, TOP WRAPPER
8	A20014044		BROIL ELEMENT SHIELD
9	PB070337		LINER FRONT INSULATION
10	A20014021		REFLECTOR, BROIL
11	PE050206		RTD THERMOSTAT PROBE
12	PM010014		SMOKE ELIMINATOR (VDSC)
13	PB020275		VENT TUBE
14	PE050205		TOP HALOGEN LIGHT (BEFORE C-0396)
	PE050239		HALOGEN LAMP (AFTER C-0396)



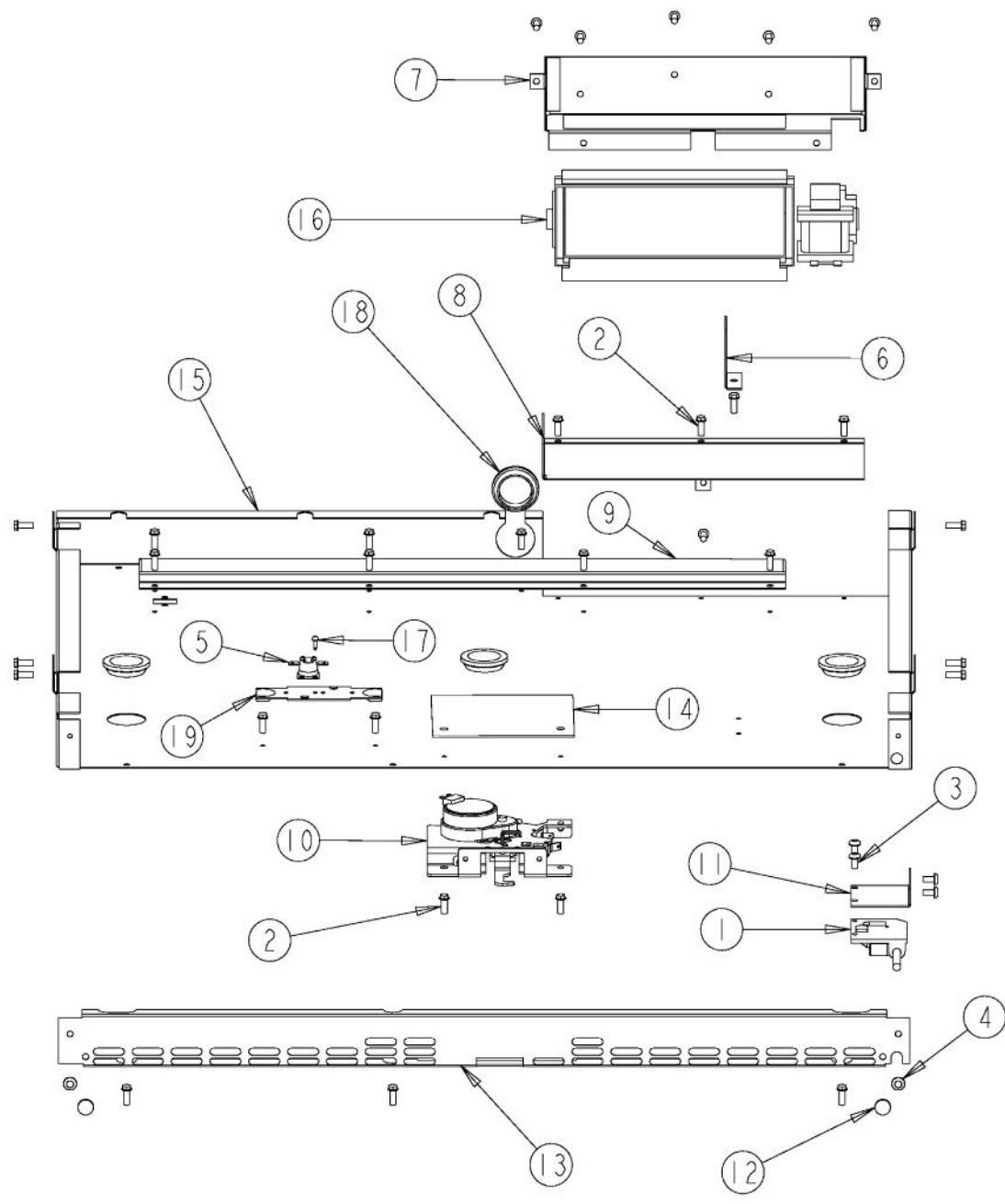
Ref #	Part Number	Qty.	Description
1	PD020055		NO.10 X 1/2 PAN PHIL. TEK. SS
2	PD020060		10 X 1/2 (5/16)HEX WSHER HD.(T)A
3	PD020232		NO.8 X 3/4 PH PAN HEAD TEK SCREW (BLACK OXIDE)
4	PB060107		30 OVEN RACK
5	PD020063		SCREW-NO.8(A) X 3/8PH WFR HD/BK OXID
6	G91013598		30 BAFFLE ASSEMBLY
7	PB060103		RACK SUPPORT RH
8	PB060104		RACK SUPPORT LH
9	E9107933		BROILER PAN
10	E9107934		BROILER PAN INSERT
11	PJ010047		CONVECTION ELEMENT
12	G32014020		CONVECTION FAN ASSY
13	E91012614		LIGHT HOLE COVER
14	PB070312		CONVECTION MOTOR MTG. PLATE INSULATION
NI	001097-000		FAN MOTOR JUMPER



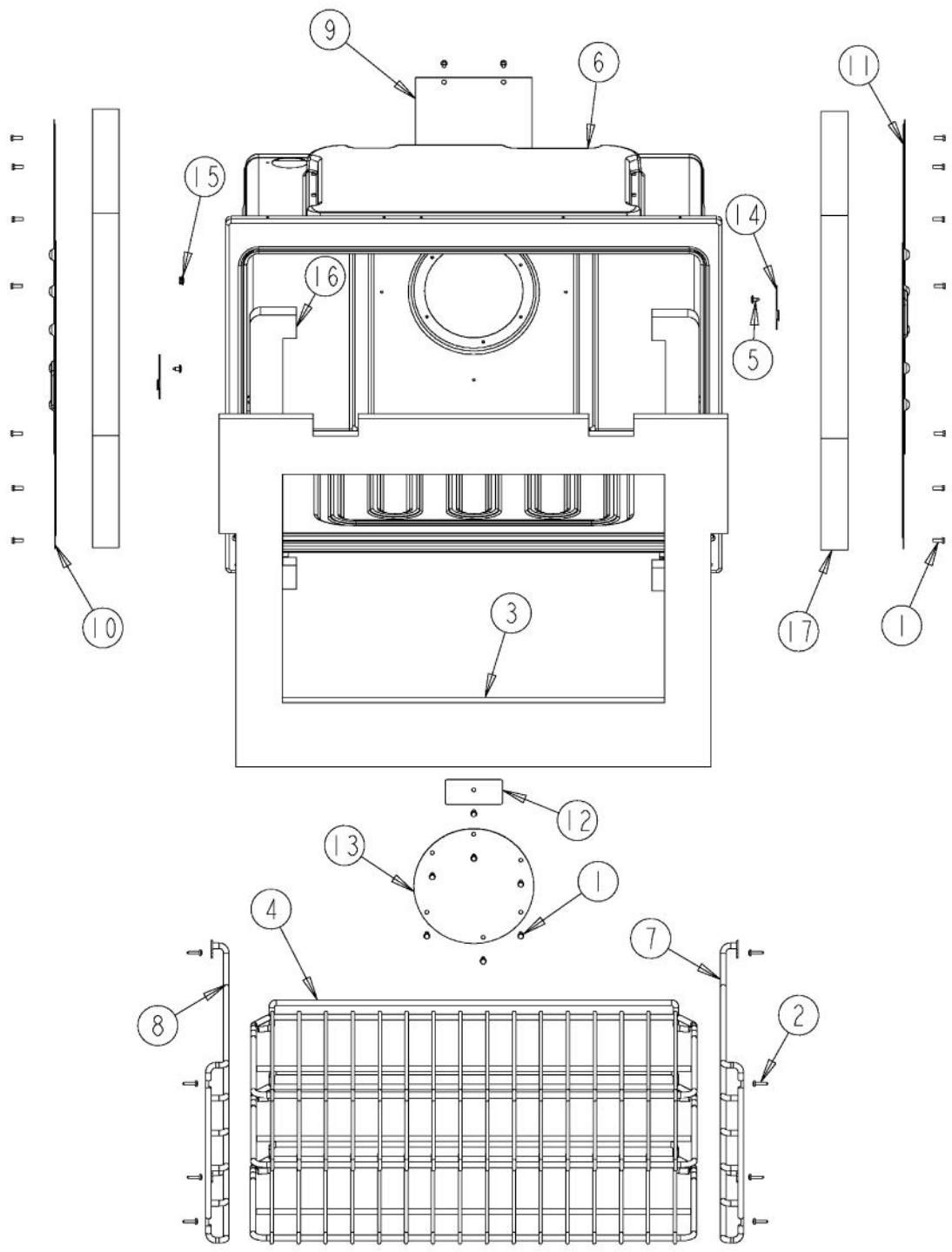
Ref #	Part Number	Qty.	Description
1	PD020060		10 X 1/2 (5/16)HEX WSHER HD.(T)A
2	PD020002		10 X 1/2 PH.TR.HD.SMS.
3	PD020014		10X3/4 PH TR HD SMS
4	PB070272		30 DOOR INSULATION
5	PD020063		SCREW-NO.8(A) X 3/8PH WFR HD/BK OXID
6	G91014039		30 PREMIERE CAVITY ASSY
7	A20012650		BRKT, TOP WRAPPER LEFT
8	A2009622		BRKT, TOP WRAPPER, RIGHT
9	E91012614		LIGHT HOLE COVER
10	E91014053		PORCELAIN 25/64 HOLE PLUG
11	PB070271		DOOR PLUG INSULATION
12	PB070302		SIDE INSULATION
13	PE040284		DES. DOUBLE SIDE TRIM LH
14	PE040283		DES. DOUBLE SIDE TRIM RH



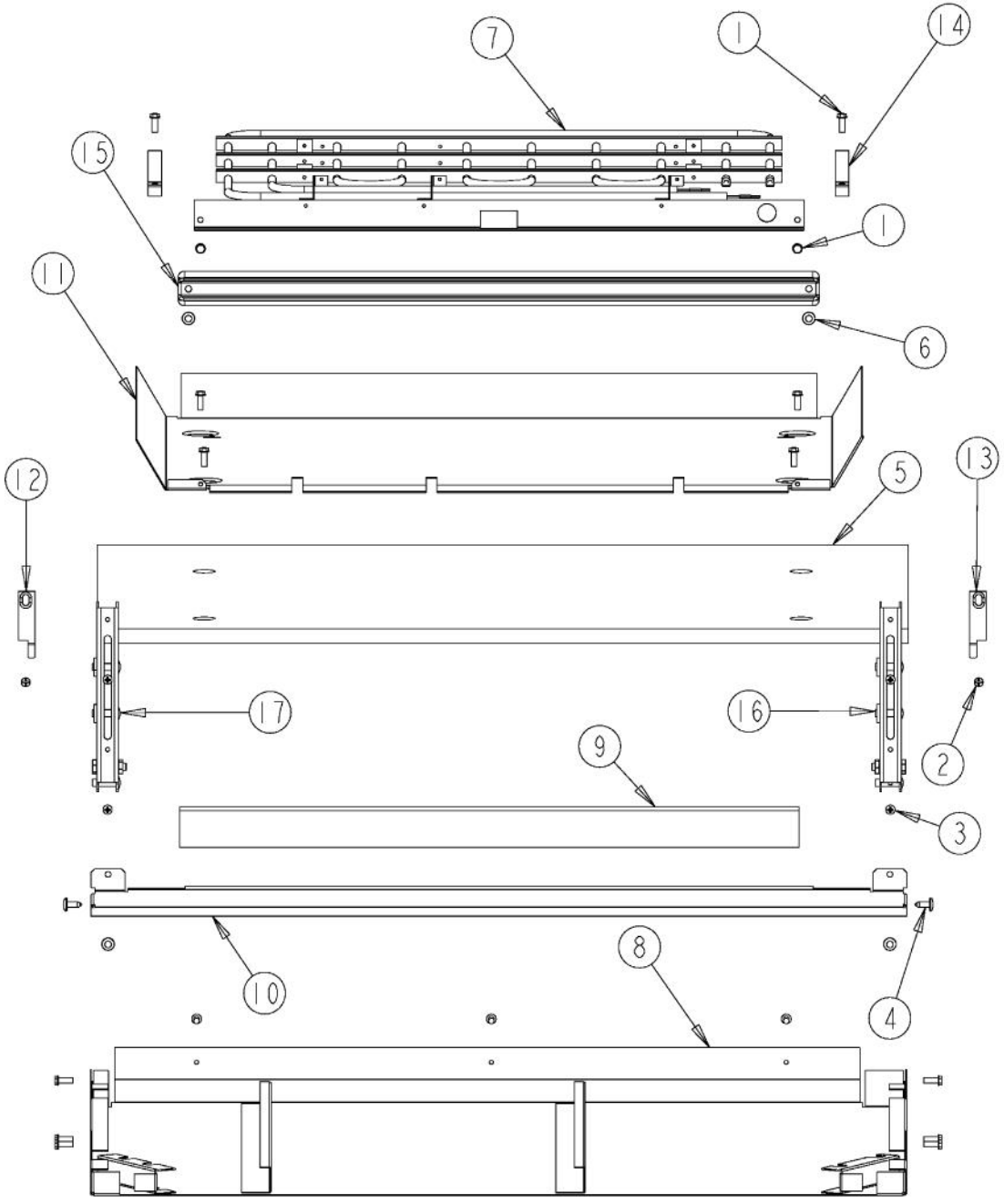
Ref #	Part Number	Qty.	Description
1	PD020060		10 X 1/2 (5/16)HEX WSHER HD.(T)A
2	PD020061		NO.8 X 3/4 FLAT HD TEK. SS.
3	PD020062		NO.8-32 X 3/8 PHMS TYPE 1
4	PB070269		30 WINDOW PACK INSULATION
5	PD020063		SCREW-NO.8(A) X 3/8PH WFR HD/BK OXID
6	PJ010048		BAKE ELEMENT
7	PB070309		BAKE ELEMENT INSULATION
8	A2009612		ELEMENT, MTG TRAY
9	B21010916		HINGE CLIP ? LH
10	B21010915		HINGE CLIP ? RH
11	A2009696		HOLDER, BAKE ELEMENT
12	E2109655		COVER, BAKE TRAY
13	PC020221		HINGE POCKET RECEIVER MANSFIELD RH
14	PC020247		HINGE POCKET RECEIVER MANSFIELD LH



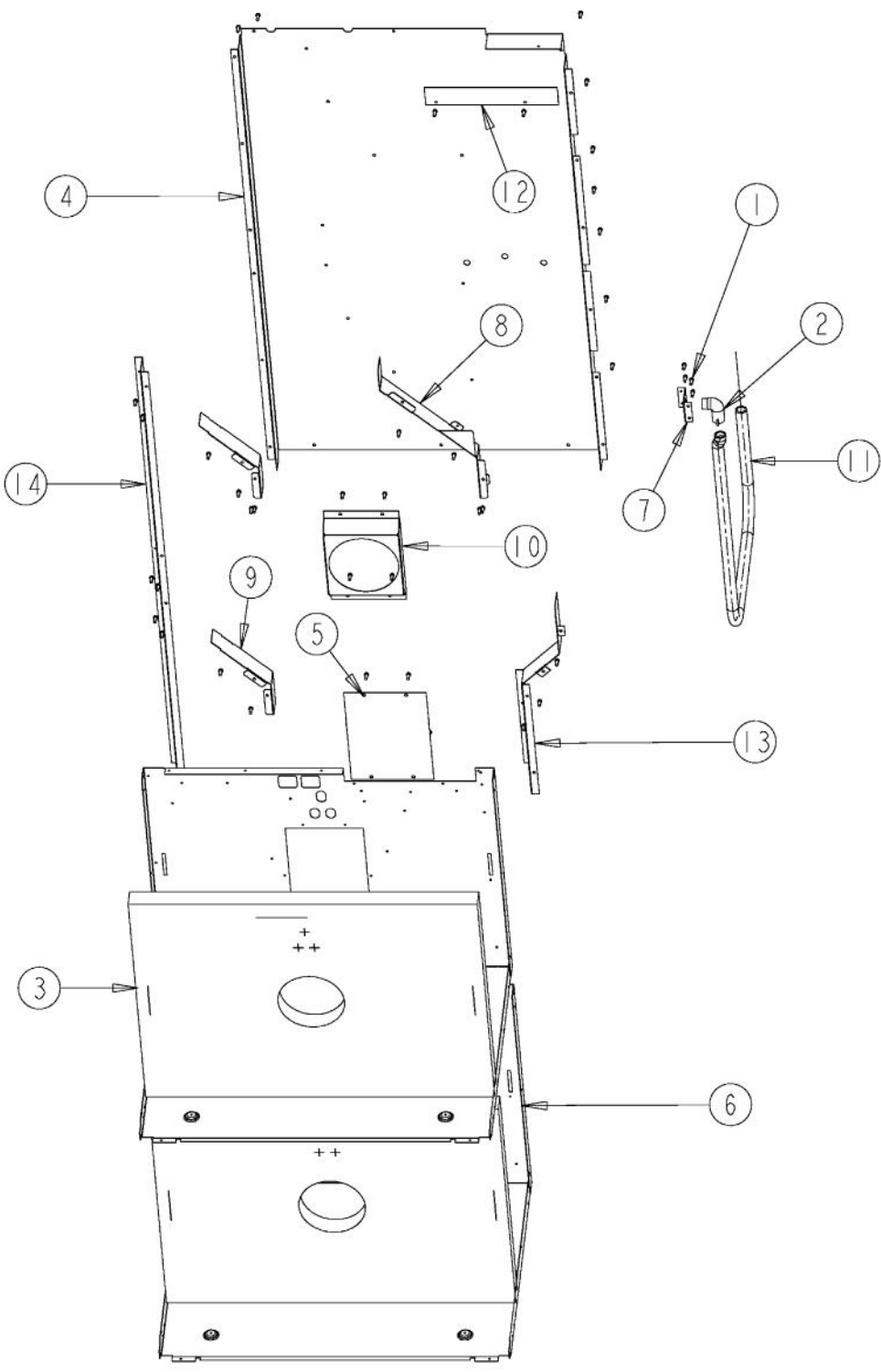
Ref #	Part Number	Qty.	Description
1	PE050208		DOOR SWITCH
2	PD020060		10 X 1/2 (5/16)HEX WSHER HD.(T)A
3	PD020004		10X3/8PH.HD.TYPE 25 REPL PD040125
4	PD020063		SCREW-NO.8(A) X 3/8PH WFR HD/BK OXID
5	PJ030039		BI-METAL THERMOSTAT 275 DEGREES
6	A20014036		BOTTOM BLOWER DIVIDER
7	A2009660		BRACKET, BLOWER, DBL LOWER OVEN
8	A2009659		BRACKET, FILLER, BLOWER
9	A2009682		CATALYST EXHAUST, MIDDLE MODULE
10	PE050210		DOOR LATCH
11	A20012649		DOOR SWITCH BRACKET
12	PD040004		GROMMET BUMPER
13	C9009680BK		INLET GRILL DBL LOWER OVEN 30
14	PB070321		LOWER LATCH INSULATION
15	A2009661		MODULE PAN 30
16	PE050228		PREMIUM BLOWER
17	PD020013		TYPE AB NO.6 X 3/8 PH PAN HD. SMS
18	PB070079		SILICONE EXTRUSION (DGSU)
19	A1002456		THERMO-DISC BRKT (VDSC)



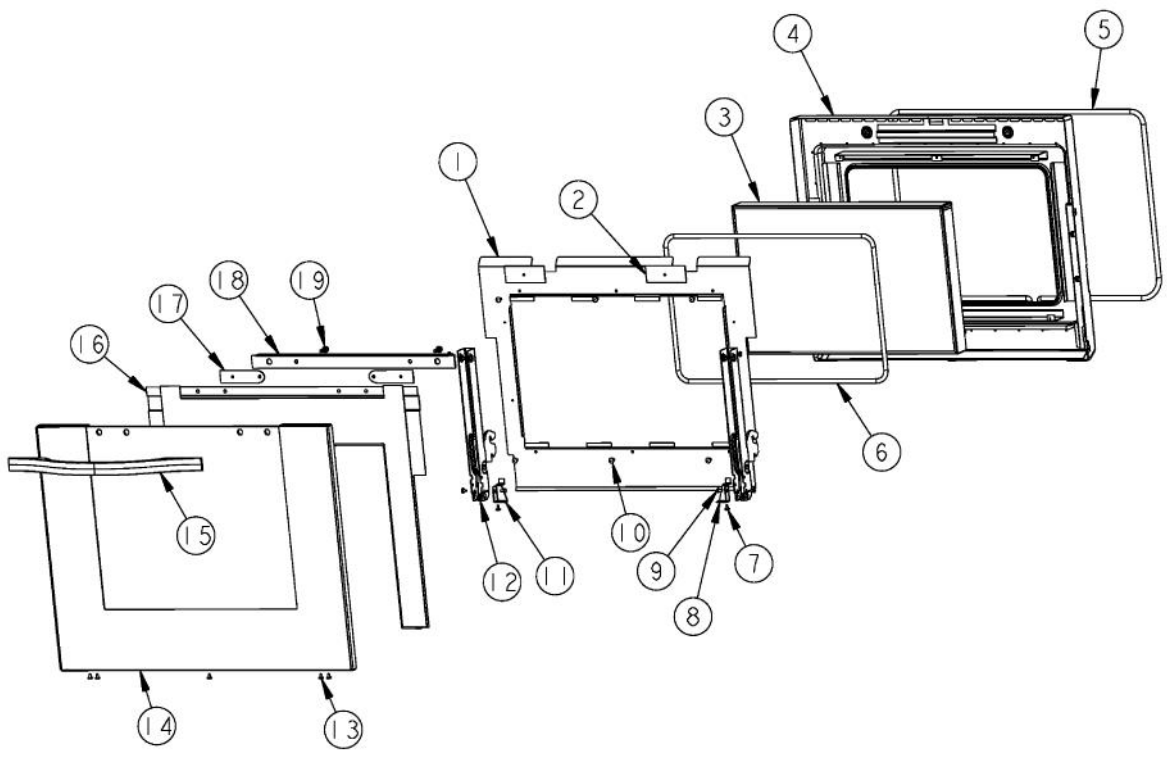
Ref #	Part Number	Qty.	Description
1	PD020060		10 X 1/2 (5/16)HEX WSHR HD.(T)A
2	PD020232		NO.8 X 3/4 PH PAN HEAD TEK SCREW (BLACK OXIDE)
3	PB070272		30 DOOR INSULATION
4	PB060107		30 OVEN RACK
5	PD020063		SCREW-NO.8(A) X 3/8PH WFR HD/BK OXID
6	G91014039		30 PREMIERE CAVITY ASSY
7	PB060103		RACK SUPPORT RH
8	PB060104		RACK SUPPORT LH
9	A20012648		BACK COVER
10	A2009622		BRKT, TOP WRAPPER, RIGHT
11	A20012650		BRKT, TOP WRAPPER LEFT
12	E91012616		CONV. ELEMENT HOLE COVER
13	E91012615		CONVECTION HOLE COVER
14	E91012614		LIGHT HOLE COVER
15	E91014053		PORCELAIN 25/64 HOLE PLUG
16	PB070271		DOOR PLUG INSULATION
17	PB070302		SIDE INSULATION



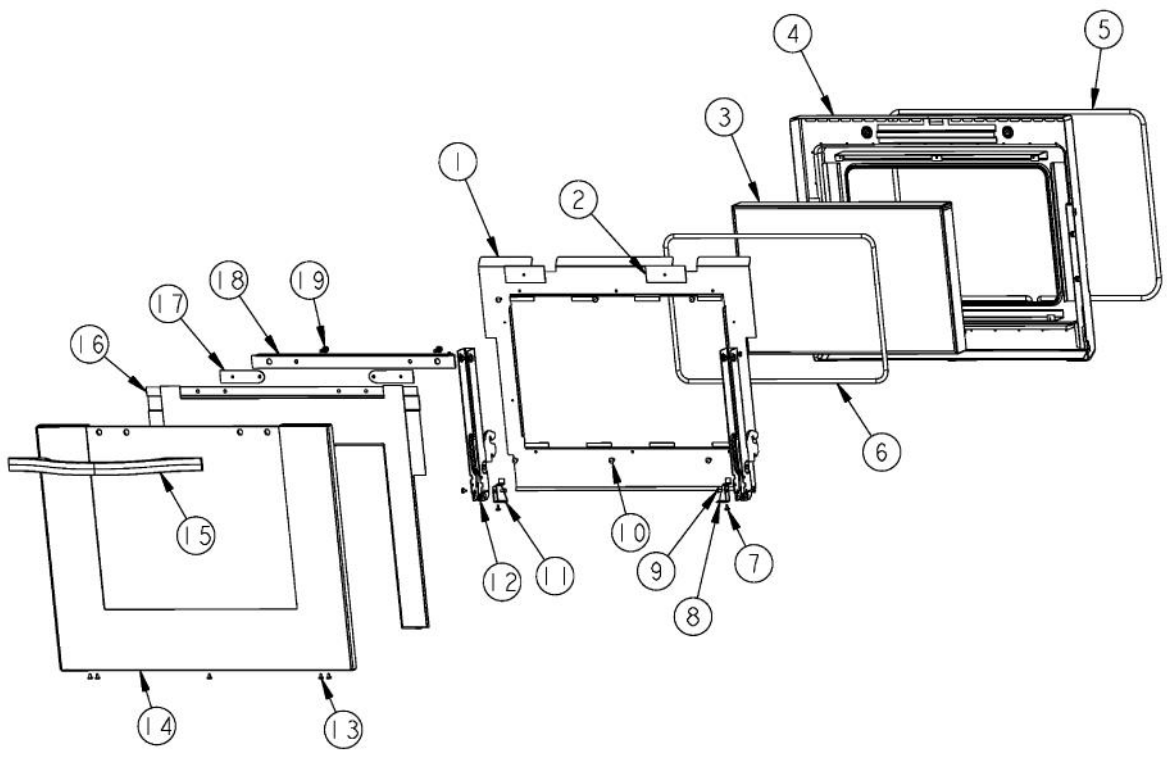
Ref #	Part Number	Qty.	Description
1	PD020060		10 X 1/2 (5/16)HEX WSHER HD.(T)A
2	PD020061		NO.8 X 3/4 FLAT HD TEK. SS.
3	PD020062		NO.8-32 X 3/8 PHMS TYPE 1
4	PD020002		10 X 1/2 PH.TR.HD.SMS.
5	PB070303		30 BOTTOM INSULATION
6	PD020063		SCREW-NO.8(A) X 3/8PH WFR HD/BK OXID
7	PJ010048		BAKE ELEMENT
8	G3009694		BASE MODULE ASSY 30
9	PB070309		BAKE ELEMENT INSULATION
10	C9009676BK		BOTTOM AIR DEFLECTOR 30
11	A2009612		ELEMENT, MTG TRAY
12	B21010916		HINGE CLIP ? LH
13	B21010915		HINGE CLIP ? RH
14	A2009696		HOLDER, BAKE ELEMENT
15	E9109655		BAKE TRAY COVER
16	PC020221		HINGE POCKET RECEIVER MANSFIELD RH
17	PC020247		HINGE POCKET RECEIVER MANSFIELD LH



Ref #	Part Number	Qty.	Description
1	PD020060		10 X 1/2 (5/16)HEX WSHER HD.(T)A
2	PB040070		CONDUIT FITTING (90 DEG)
3	PB070304		30 BACK INSULATION
4	A2009683		PANEL, REAR
5	A10012648		BACK COVER
6	A2009620		BASE, BACK WRAPPER
7	A2009671		BRACKET, POWER CABLE
8	A21010918		BRACKET, AIR, CONVECTION MOTOR
9	A21010919		BRACKET, AIR, CONVECTION MOTOR
10	A2009697		BRACKET, CONVECTION INSULATION
11	PB020071		CONDUIT - FLEXIBLE (48)
12	A10010907		COVER, BLOWER
13	A2009699		REAR AIR DIVIDER, DBL, LOWER OVEN
14	A2009684		REAR AIR DIVIDER, DOUBLE OVEN

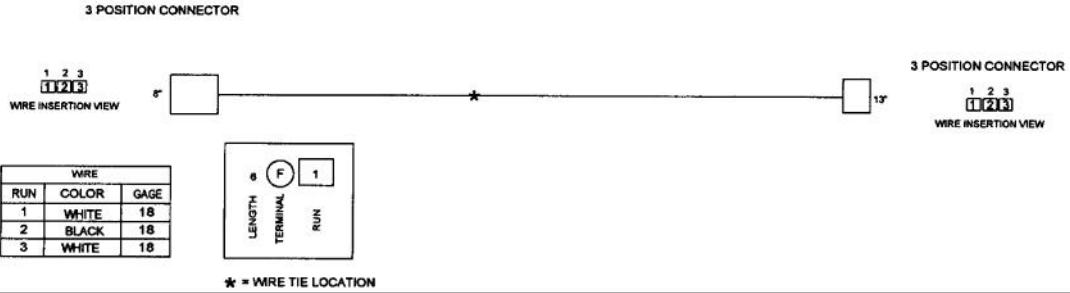


Ref #	Part Number	Qty.	Description
1	A2009632		PANEL, INULATION, INNER DOOR
2	PB070336		DOOR BRACKET INSULATION
3	PE060094		30 WINDOW PACK
4	G9109625		DOOR LINER PORC.
5	PB070246		30 DOOR GASKET
6	000594-000		BLACK FIBERGLASS ROPE 3/8
7	PD020063		SCREW-NO.8(A) X 3/8PH WFR HD/BK OXID
8	A20012640		HINGE SUPPORT RH
9	PD020004		10X3/8PH.HD.TYPE 25 REPL PD040125
10	PD020002		10 X 1/2 PH.TR.HD.SMS.
11	A20012641		HINGE SUPPORT LH
12	023797-000	2	HINGE, MANSFIELD, YELLOW
13	PD020032		SRW-8(A)X3/8PH.WFR HD 7/16DIAXNICL
14	001451-002		30 DES DOOR SKIN KIT W/LOGO - BK
	001451-003		30 DES DOOR SKIN KIT W/LOGO - BT
	001451-005		30 DES DOOR SKIN KIT W/LOGO - GG
	001451-004		30 DES DOOR SKIN KIT W/LOGO - SG
	001451-000		30 DES DOOR SKIN KIT W/LOGO - SS
	001451-006		30 DES DOOR SKIN KIT W/LOGO - WH
15	PE030167		30 DOOR HANDLE
	PE030167PVD		30 DOOR HANDLE PVD
16	001497-000		DESIGNER 30` INSULATION RETAINER KIT
17	PC050002		DESIGNER DOOR HANDLE SPACER
18	PE040285		DESIGNER DOOR TRIM
19	PD020186		1/4-20 X 3/4 HEX WASHER HEAD MS
NI	G32012750BK		30 DOOR ASSY W/LOGO XBKX
NI	G32012750BKBR		30 DOOR ASSY W/LOGO XBKBRX
NI	G32012750BT		30 DOOR ASSY W/LOGO XBTX
NI	G32012750BTBR		30 DOOR ASSY W/LOGO XBTBRX
NI	G32012750GG		30 DOOR ASSY W/LOGO XGGX
NI	G32012750GGBR		30 DOOR ASSY W/LOGO XGGBRX
NI	G32012750SG		30 DOOR ASSY W/LOGO XSGX
NI	G32012750SGBR		30 DOOR ASSY W/LOGO XSGBRX
NI	G32012750SS		30 DOOR ASSY W/LOGO
NI	G32012750SSBR		30 DOOR ASSY W/LOGO XSSBRX
NI	G32012750WH		30 DOOR ASSY W/LOGO XWHX
NI	G32012750WHBR		COMPLETE DOOR ASSEMBLY - WHBR
NI	017736-000	1	WINDOW PACK INSULATION KIT

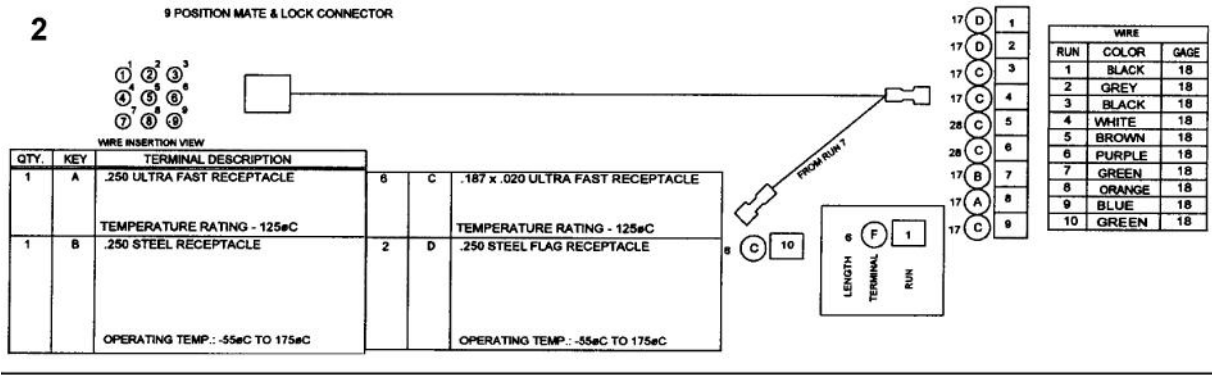


Ref #	Part Number	Qty.	Description
1	A2009632		PANEL, INULATION, INNER DOOR
2	PB070336		DOOR BRACKET INSULATION
3	PE060094		30 WINDOW PACK
4	G9109625		DOOR LINER PORC.
5	PB070246		30 DOOR GASKET
6	000594-000		BLACK FIBERGLASS ROPE 3/8
7	PD020063		SCREW-NO.8(A) X 3/8PH WFR HD/BK OXID
8	A20012640		HINGE SUPPORT RH
9	PD020004		10X3/8PH.HD.TYPE 25 REPL PD040125
10	PD020002		10 X 1/2 PH.TR.HD.SMS.
11	A20012641		HINGE SUPPORT LH
12	023797-000	2	HINGE, MANSFIELD, YELLOW
13	PD020032		SRW-8(A)X3/8PH.WFR HD 7/16DIAXNICL
14	001452-002		30 DES DOOR SKIN KIT W/O LOGO - BK
	001452-003		30 DES DOOR SKIN KIT W/O LOGO - BT
	001452-005		30 DES DOOR SKIN KIT W/O LOGO - GG
	001452-004		30 DES DOOR SKIN KIT W/O LOGO - SG
	001452-000		30 DES DOOR SKIN KIT W/O LOGO - SS
	001452-006		30 DES DOOR SKIN KIT W/O LOGO - WH
15	PE030167		30 DOOR HANDLE
	PE030167PVD		30 DOOR HANDLE PVD
16	001497-000		DESIGNER 30` INSULATION RETAINER KIT
17	PC050002		DESIGNER DOOR HANDLE SPACER
18	PE040285		DESIGNER DOOR TRIM
19	PD020186		1/4-20 X 3/4 HEX WASHER HEAD MS
NI	G32014008BK		30 DOOR ASSY W/O LOGO XBKX
NI	G32014008BKBR		30 DOOR ASSY W/O LOGO XBKBRX
NI	G32014008BT		30 DOOR ASSY W/O LOGO XBTX
NI	G32014008BTBR		30 DOOR ASSY W/O LOGO XBTBRX
NI	G32014008GG		30 DOOR ASSY W/O LOGO XGGX
NI	G32014008GGBR		30 DOOR ASSY W/O LOGO XGGBRX
NI	G32014008SG		30 DOOR ASSY W/O LOGO XSGX
NI	G32014008SGBR		30 DOOR ASSY W/O LOGO XSGBRX
NI	G32014008SS		30 DOOR ASSY W/O LOGO
NI	G32014008SSBR		30 DOOR ASSY W/O LOGO XSSBRX
NI	G32014008WH		30 DOOR ASSY W/O LOGO XWHX
NI	G32014008WHBR		COMPLETE DOOR ASSEMBLY - WHBR
NI	017736-000	1	WINDOW PACK INSULATION KIT

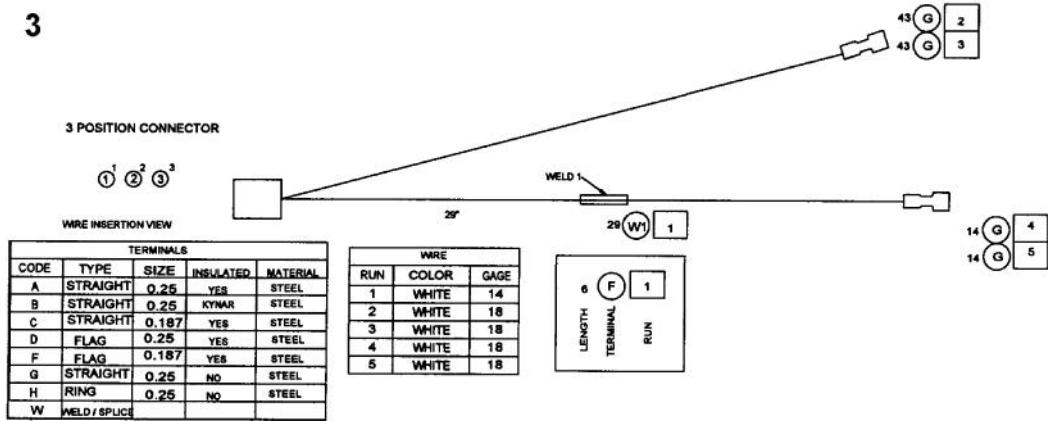
1



2

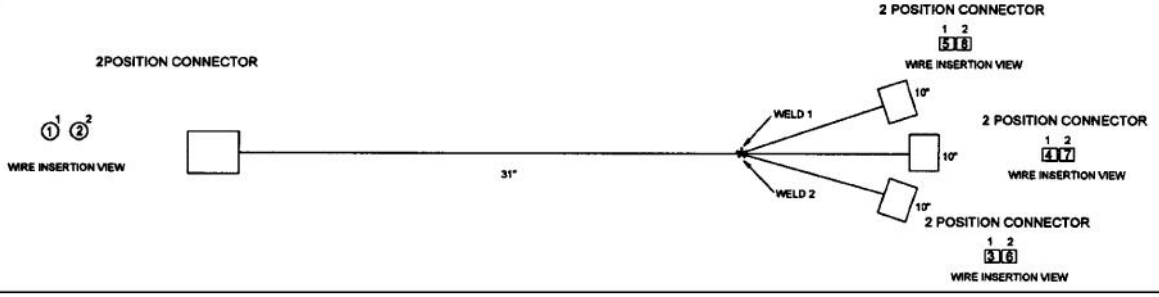


3



Ref #	Part Number	Qty.	Description
1	PE070738		T/STAT-SEL HARNESS
	PE070733		UPPER LATCH HARNESS
	PE070739		BAKE ELEMENT HARNESS
NI	G4005496		SUPPLY WIRE - 100 BK 10GA SO/DO
NI	G4005497		SUPPLY WIRE - 100 GREEN 10GA SO/DO
NI	G4005499		SUPPLY WIRE - 100 RED 10GA SO/DO
NI	G4005494		SUPPLY WIRE - 75 WH 12 GA SO/DO

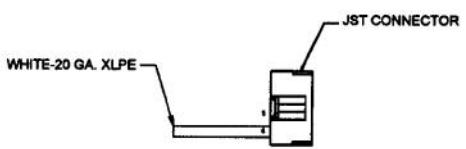
1



2

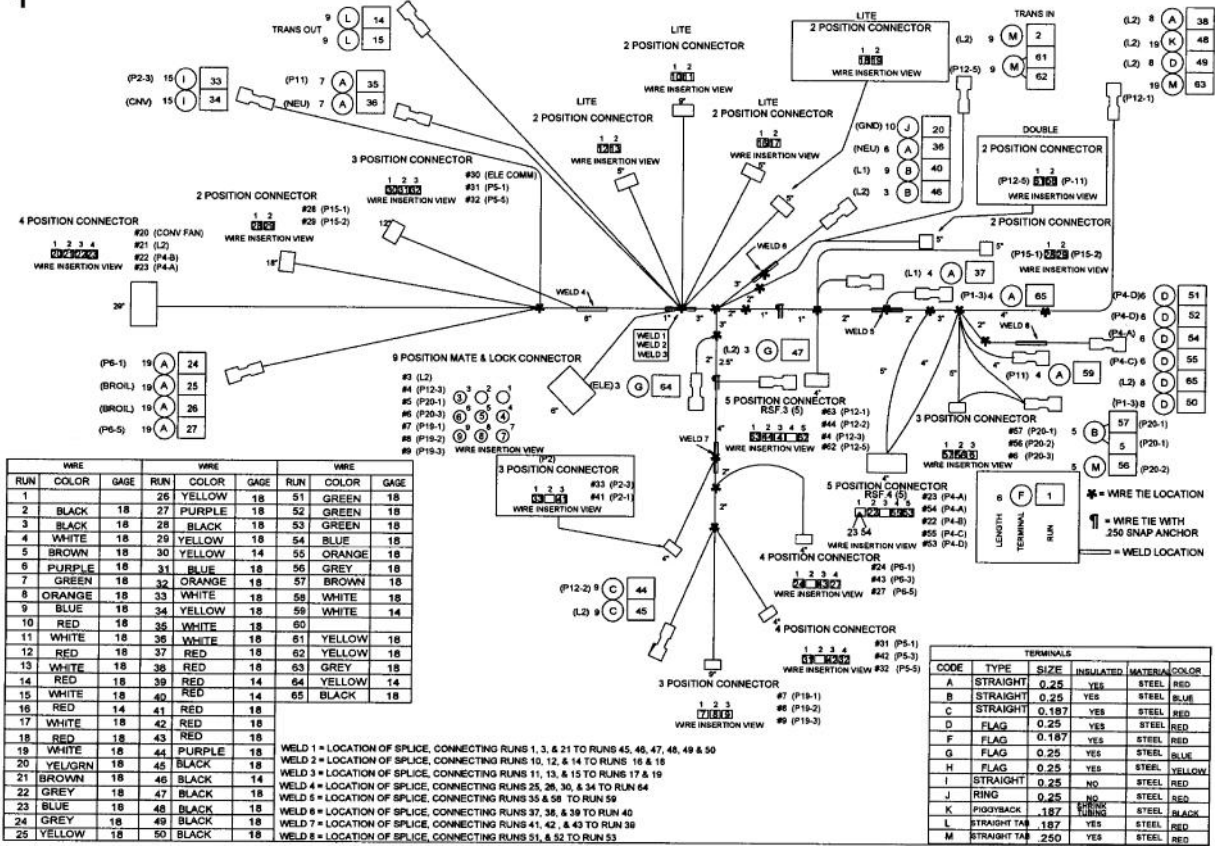


3



Ref #	Part Number	Qty.	Description
1	PE070741		LOWER LIGHT HARNESS
2	PE070744		DOUBLE CLOCK HARNESS
3	PE070763		10 POSITION 30 L.O.

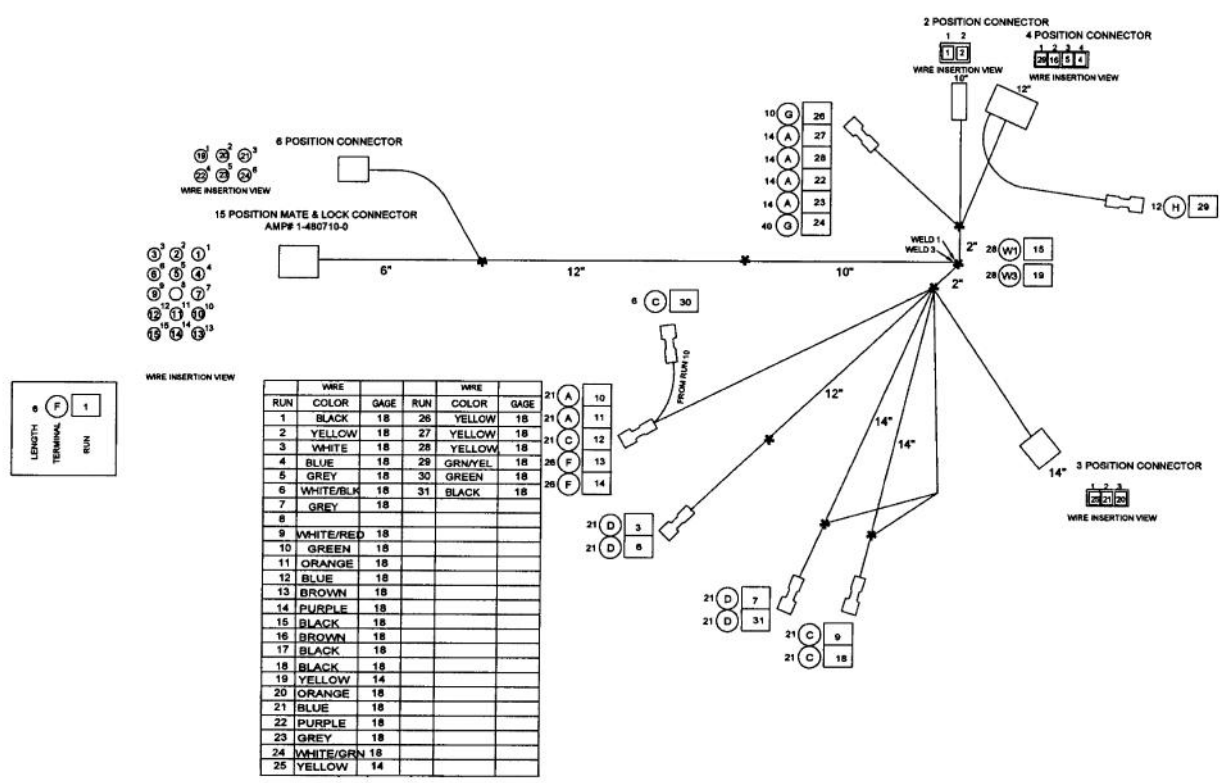
1



Ref #	Part Number	Qty.	Description
1	PE070742		UPPER CONTROL HARNESS



Ref #	Part Number	Qty.	Description
1	PE070736		LOWER CONTROL HARNESS



Ref #	Part Number	Qty.	Description
1	PE070740		LOWER LATCH HARNESS