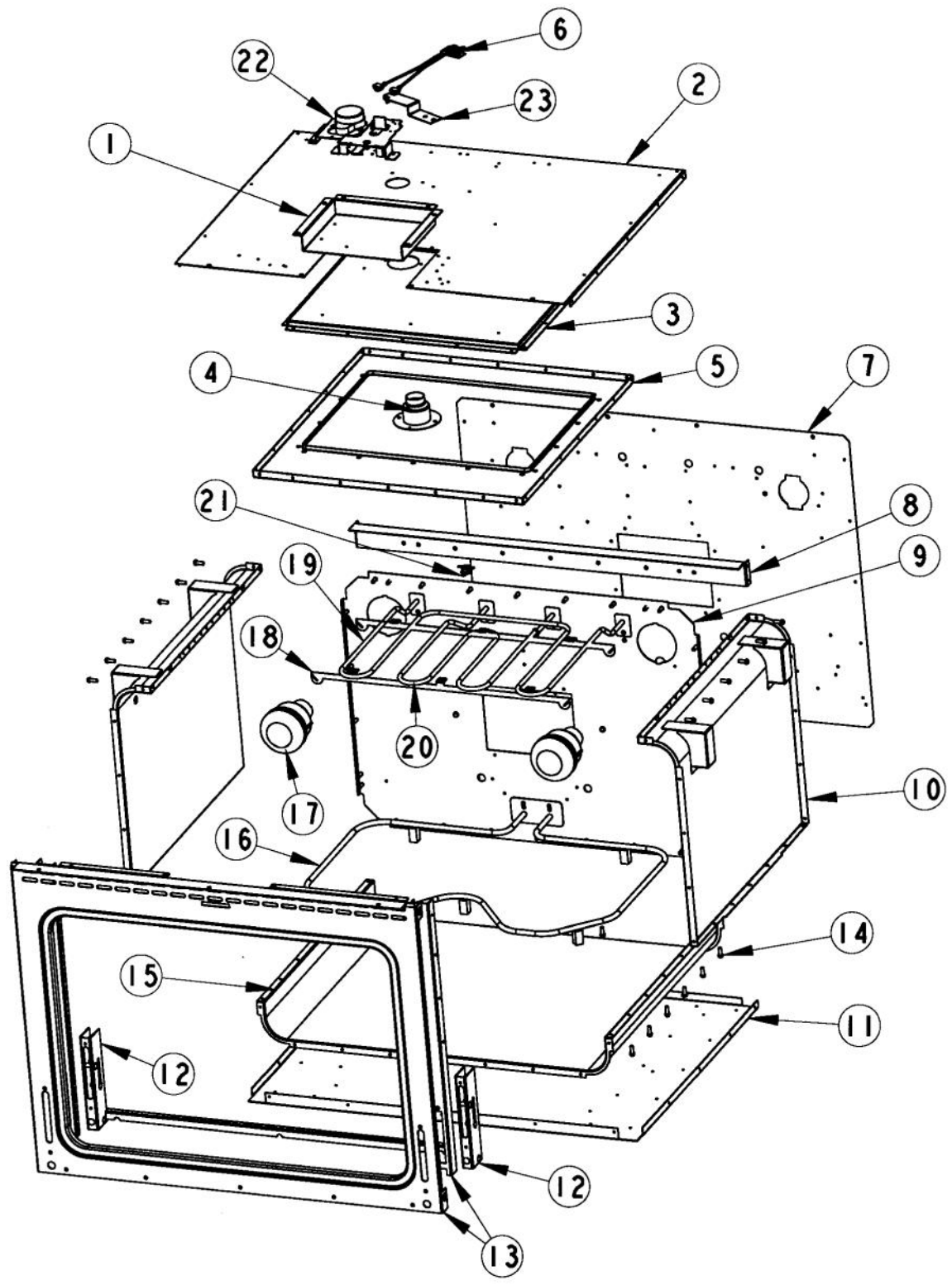
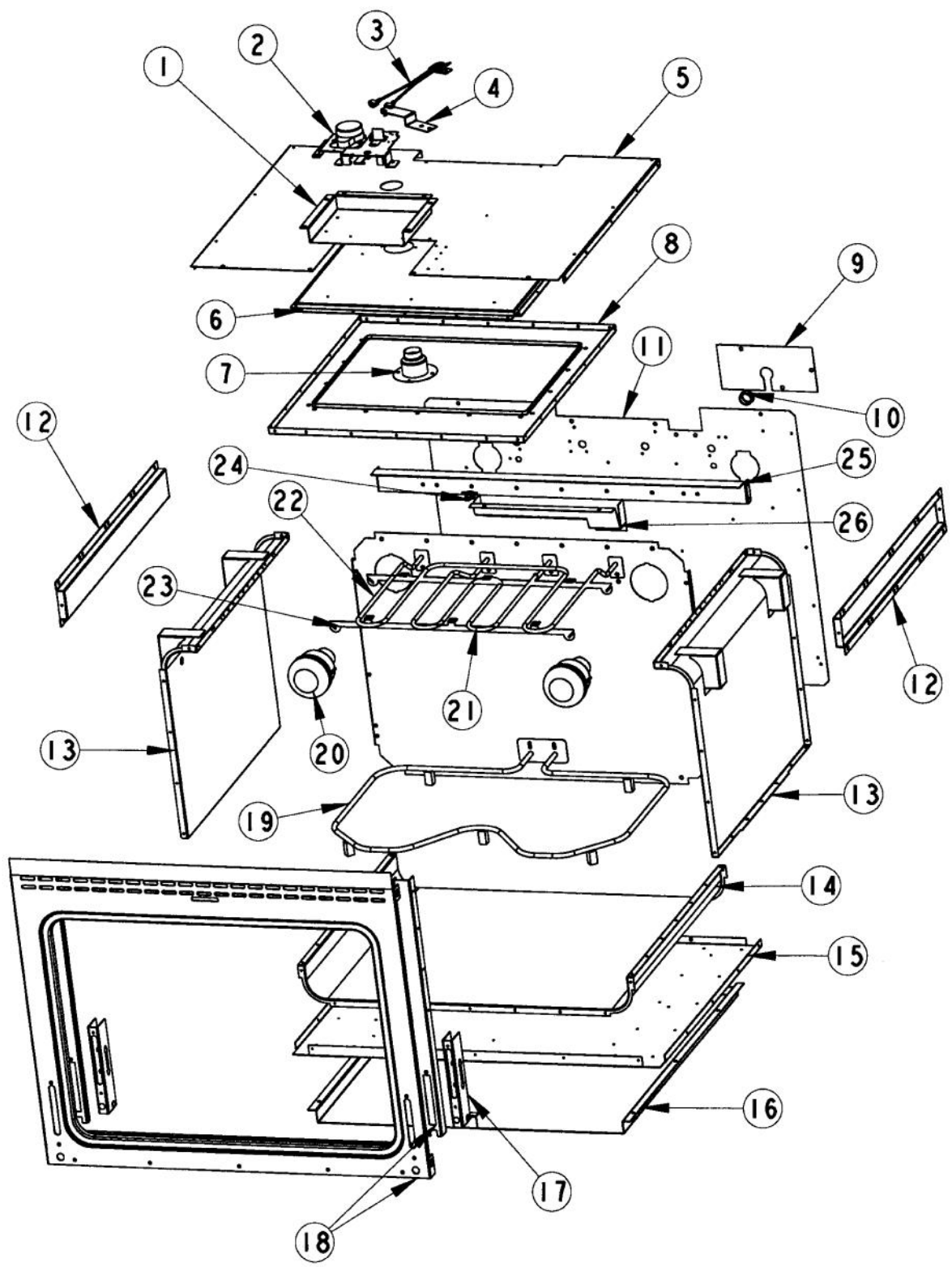


Ref #	Part Number	Qty.	Description
1	A2006143		DESIGNER OVEN CABINET TOP 27
2	A2006114		27 INCH TOP REAR COVER
3	A2006122		CABINET SIDE RH
4	PE070147		TERMINAL BLOCK
5	NOT REPLACABLE		LABEL
6	NOT REPLACABLE		LABEL
7	G4008423		DESIGNER OVEN LIGHT SWITCH ASSY
8	PD040005		SNAP BUSHING - 7/8
9	A2006185		FRONT SANDWICH PANEL ANGLE 27
10	A2006101		OVEN LIGHT SWITCH BRACKET
11	A2006098		CLOCK MOUNTING BRACKET
12	E9106136		CONTROL MOUNTING PANEL (DED0270)
13	B9206140		CONTROL PANEL - DEDO 270 (SS) (BEFORE 3/01/02)
	C9206140BK		CTRL PAN DEDO270 XBKX SLK. SC. (BEFORE 3/01/02)
	C9206140BT		CTRL PAN DEDO270 XBTX SLK. SC. (BEFORE 3/01/02)
	C9206140GG		CTRL PAN DEDO270 XGGX SLK. SC. (BEFORE 3/01/02)
	C9206140SG		CTRL PAN DEDO270 XSGX SLK. SC. (BEFORE 3/01/02)
	C9206140WH		CTRL PAN DEDO270 XWHX SLK. SC. (BEFORE 3/01/02)
	B9207963		CONTROL PANEL 27 (AFTER 3/01/02)
	C9207963BK		CTRL PANEL 27 XBKX SLK. SC. (AFTER 3/01/02)
	C9207963BT		CTRL PANEL 27 XBTX SLK. SC. (AFTER 3/01/02)
	C9207963GG		CTRL PANEL 27 XGGX SLK. SC. (AFTER 3/01/02)
	C9207963SG		CTRL PANEL 27 XSGX SLK. SC. (AFTER 3/01/02)
	C9207963WH		CTRL PANEL 27 XWHX SLK. SC. (AFTER 3/01/02)
14	PA010093		DESIGNER OVEN LT SWITCH KNOB
	PA010093PVD		DESIGNER OVEN LT SWITCH KNOB-BRASS
15	PE050073		DESIGNER INDICATOR LT
16	PB010222		DESIGNER BIT GENERATOR KNOB
	PB010222PVD		DESIGNER BIT GENERATOR KNOB-BRASS
17	PB010217		DESIGNER CLOCK BUTTON
	PB010217PVD		DESIGNER CLOCK BUTTON- BRASS
18	PB010196		DESIGNER THERMOSTAT KNOB
	PB010196PVD		DESIGNER THERMOSTAT KNOB W/BRASS
	PB010204		DESIGNER THERMOSTAT KNOB - GRAY
	PB010204PVD		DESIGNER THERMOSTAT KNOB -BR/GRAY
19	PA010091		SELECTOR KNOB - BK
	PA010091PVD		DESIGNER SELECTOR KNOB - BR
	PA010095		DESIGNER SELECTOR KNOB - GRAY
	PA010095PVD		DESIGNER SELECTOR KNOB-BR/GRAY
20	PA010092		OVEN SELECTOR KNOB - BK
	PA010092PVD		DESIGNER OVEN SELECTOR KNOB - BRASS
21	A2006144		CONTROL MOUNT BRACKET
22	A2006100		THREE POSITION SELECTOR BRKT
23	A2006123		CABINET SIDE LH
24	A2006109		SELECTOR SWITCH COVER
25	PJ030010		SELECTOR SWITCH (3-POSITION)VEDO205
26	PJ030001		SELECTOR SWITCH (8-POSITION) VDSC
27	PJ030037		SUB TO PS500033 - SELF CLEAN THERMOSTAT

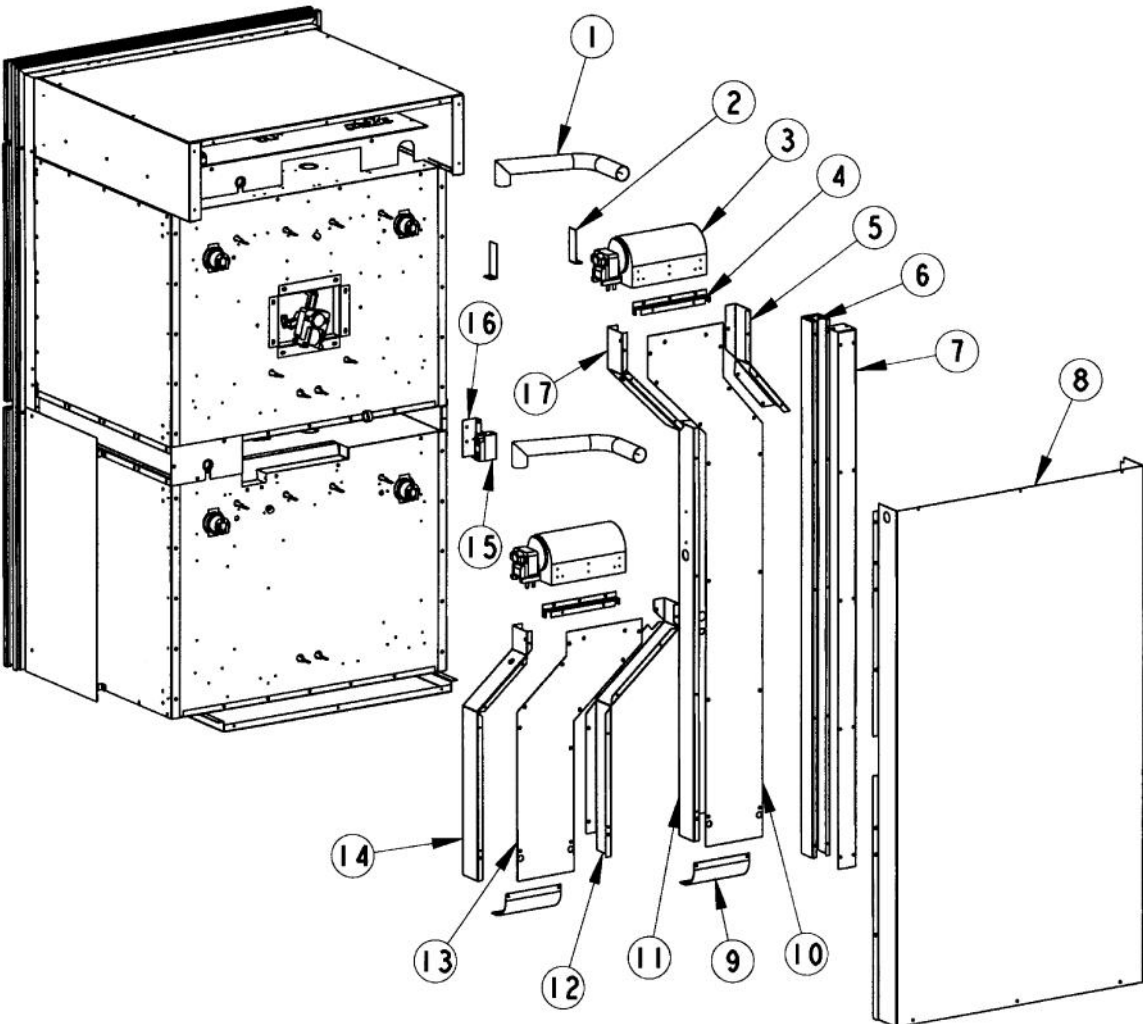
Ref #	Part Number	Qty.	Description
27	PJ030037		SUB TO PS500033 - SELF CLEAN THERMOSTAT
28	PE050049		CLOCK/TIMER(ROBERTSHAWNO.100-00550-01
29	A2006186		POWER RELAY BRACKET
30	PJ030002		AUTO RESET (SELF-CLEAN) VDSC
31	A1002456		THERMO-DISC BRKT (VDSC)
32	PM010026		No.1 RELAY(DBL POLE/SNGL THROW)
33	A2006099		TIMER BOARD BRACKET
34	PD030033		GROMMET NUT-ROUND HD. NO.8 X .500DIA.
35	PE070148		SELF-CLEAN BOARD/TIMER (VDSC)
36	PM010029		RELAY (DOUBLE POLE-DOUBLE THROW)TEM
37	G5007604		PRE-HEAT BOARD KIT (DED0200/270)
			(BEFORE 1/16/03)
	PE070308		PRE-HEAT BOARD
			(AFTER 1/16/03)
NI	PE070319		DESO PREHEAT HARNESS
			(AFTER 1/16/03)



Ref #	Part Number	Qty.	Description
1	A2002168		DOOR LATCH BRKT (VDSC)
2	NOT REPLACABLE		LABEL
3	B2004311		BROILER TOP (27) (VESO176/DO276)
4	PM010014		SMOKE ELIMINATOR (VDSC)
5	E9104302		OVEN TOP (VEDO276/VESO176)
6	PE050059		HI-LIMIT SWITCH
7	NOT REPLACABLE		LABEL
8	A2004307		REAR OVEN SUPPORT (VESO176/DO276)
9	NOT REPLACABLE		LABEL
10	NOT REPLACABLE		LABEL
11	NOT REPLACABLE		LABEL
12	PC020016		HINGE RECEIVER (VEDO/VEDO)
13	H9106146		27 INCH DESIGNER F.F. ASSEMBLY
14	PD020060		10 X 1/2 (5/16)HEX WSHER HD.(T)A
15	NOT REPLACABLE		LABEL
16	PJ010012		BAKE ELEMENT (VESO176/VEDO276)240V
17	PE050009		OVEN LIGHT SOCKET - 36 BUILT-IN
18	B2004315		BROIL ELEMENT BRKT (VESO176/DO276)
19	PJ010011		OUTSIDE BROIL ELEMENT (27 OVEN)240
20	PJ010001		BROIL ELEMENT 240V
21	PJ030006		SWITCH (COOLING FAN)
22	PE050053		DR LATCH REPL PE050020
23	A2006102		UPPER VENT BRACKET

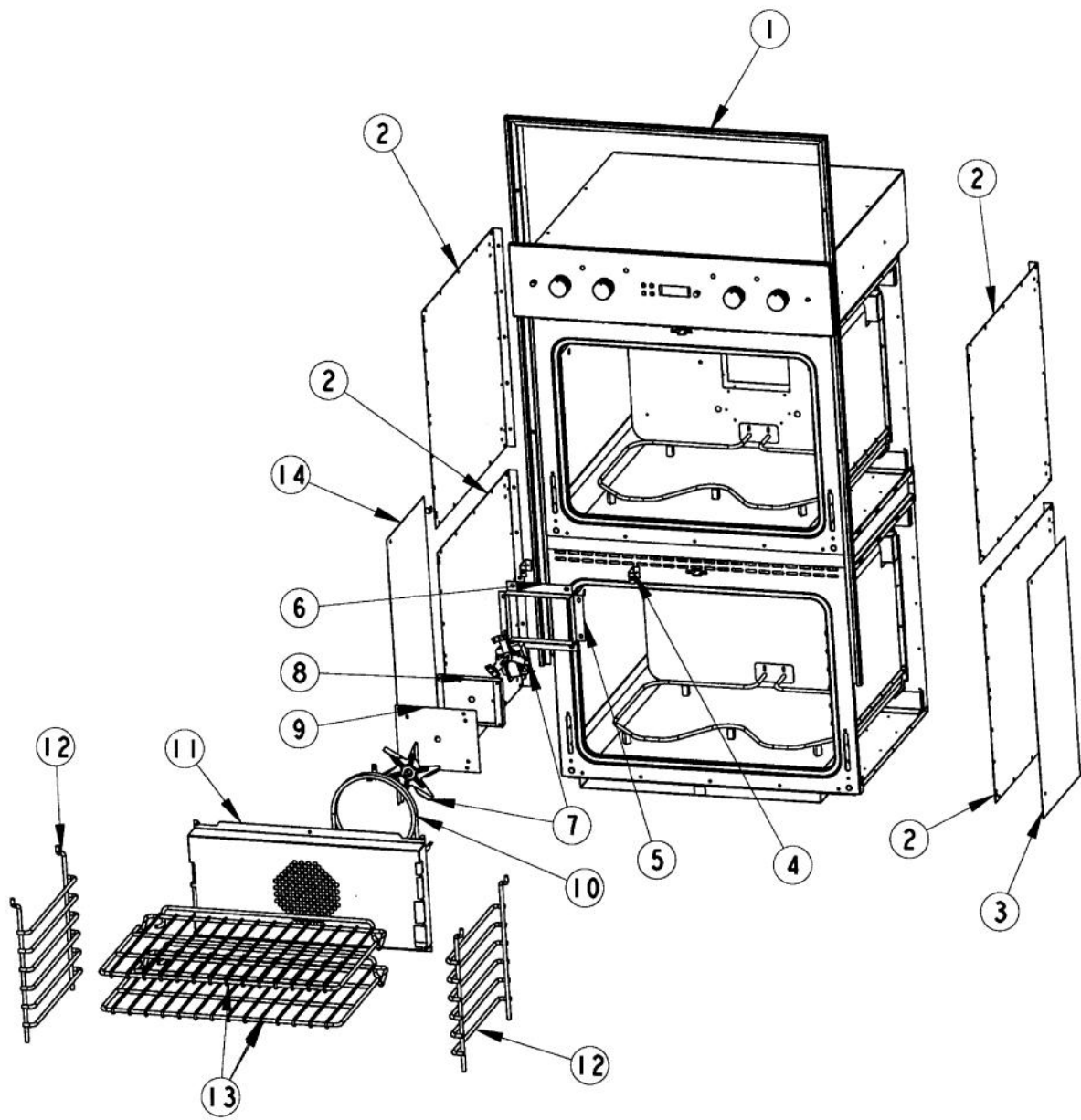


Ref #	Part Number	Qty.	Description
1	A2002168		DOOR LATCH BRKT (VDSC)
2	PE050112		DOOR LATCH
3	PE050059		HI-LIMIT SWITCH
4	A2006102		UPPER VENT BRACKET
5	NOT REPLACABLE		LABEL
6	B2004311		BROILER TOP (27) (VESO176/DO276)
7	PM010014		SMOKE ELIMINATOR (VDSC)
8	E9104302		OVEN TOP (VEDO276/VESO176)
9	A1006105		R.H. LOWER REAR COVER
10	PD040005		SNAP BUSHING - 7/8
11	A1006112		L.O. BACK INSULATION PANEL 27
12	A2006088		OVEN MOUNTING BRACKET
13	G9102736		OVEN SIDE ASSY (VDSC)
14	NOT REPLACABLE		LABEL
15	NOT REPLACABLE		LABEL
16	NOT REPLACABLE		LABEL
17	PC020016		HINGE RECEIVER (VEDO/VEDO)
18	H9106145		SUB TO H9107468 - 27 INCH F.F. ASSEMBLY (DED0270)
19	PJ010012		BAKE ELEMENT (VESO176/VEDO276)240V
20	PE050009		OVEN LIGHT SOCKET - 36 BUILT-IN
21	PJ010001		BROIL ELEMENT 240V
22	PJ010011		OUTSIDE BROIL ELEMENT (27 OVEN)240
23	B2004315		BROIL ELEMENT BRKT (VESO176/DO276)
24	PJ030006		SWITCH (COOLING FAN)
25	A2004307		REAR OVEN SUPPORT (VESO176/DO276)
26	A2006327		MIDDLE BACK VENT

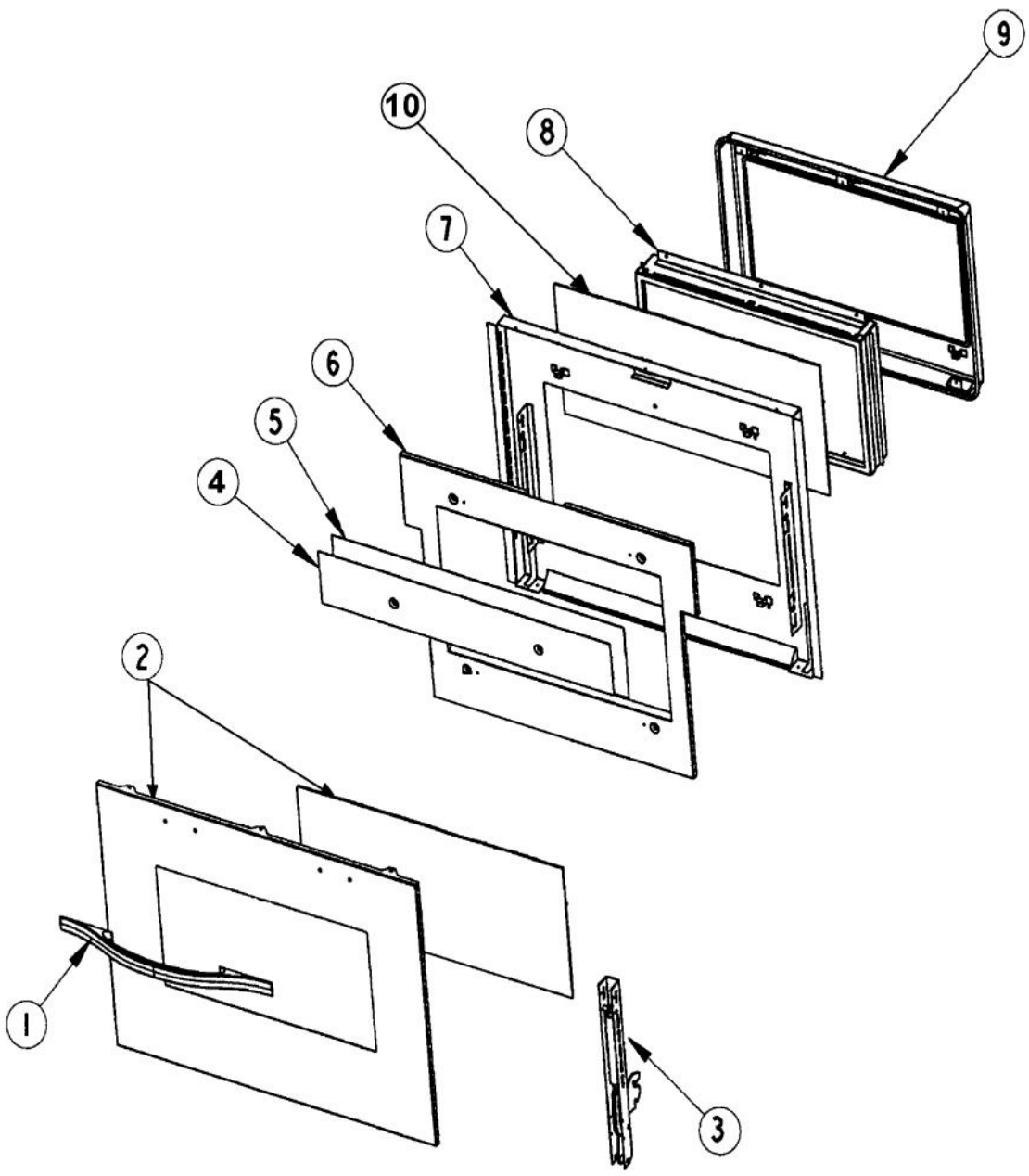




Ref #	Part Number	Qty.	Description
1	PB020117		DESIGNER OVEN VENT
2	A2006183		AIR GUIDE
3	PE050087		BLOWER ASSEMBLY - DESIGNER SERIES
4	A2006048		FAN MOUNTING BRACKET
5	A2006324		VENT SIDE LH
6	A2006181		DOUBLE OVEN FLUE
7	A2006180		DOUBLE OVEN FLUE COVER
8	A2006113		27 INCH DOUBLE REAR COVER (DED0270)
9	A2006182		AIR SCOOP
10	A1006179		DOUBLE VENT COVER PLATE
11	A2006199		LOWER AIR VENT
12	A2006322		LOWER VENT SIDE RH
13	A1006178		LOWER VENT COVER PLATE
14	A2006321		LOWER VENT SIDE RH
15	PJ030002		AUTO RESET (SELF-CLEAN) VDSC
16	A2006187		AUTO RESET BRACKET
17	A2006323		VENT SIDE RH

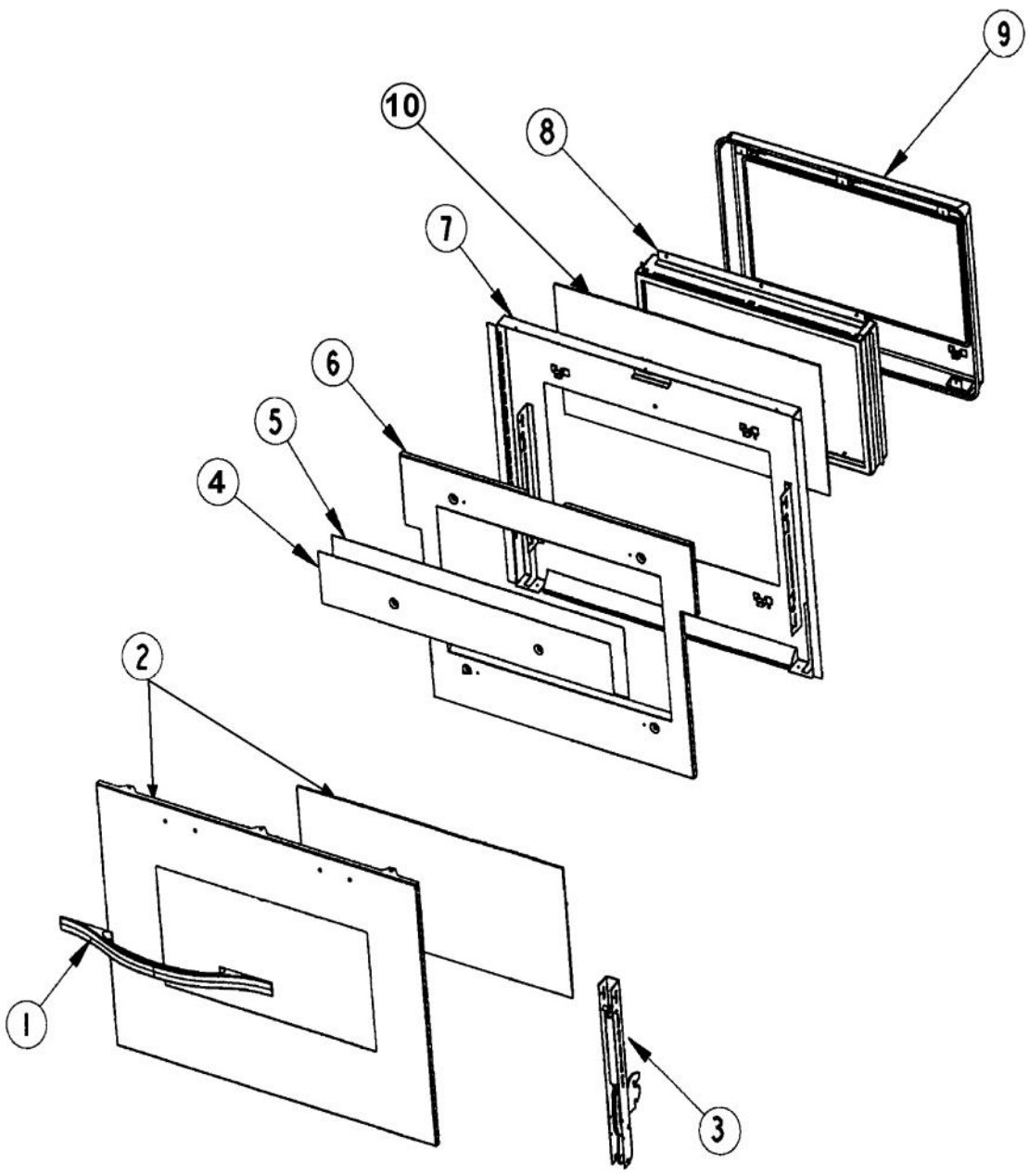


Ref #	Part Number	Qty.	Description
1	G3006126		FRONT TRIM ASSY - 27 DOUBLE
2	A2002904		SIDE INSULATION RETAINER
3	B2006194		SIDE HEAT SHIELD RH
4	A2001361		BACK SPACER (VGSC/VGSS)
5	A2001745		FAN INSUL. SHIELD - UPPER / LOWER
6	A2001746		FAN INSUL. SHIELD - SIDE
7	PE050005		CONVECTION FAN ASSY
8	A2002595		CONVECTION FAN BOX (VDSC)
9	A1002596		CONVECTION FAN COVER (VDSC)
10	PJ010003		CONVECTION ELEMENT (VDSC) 240V
11	E9104309		CONVECTION FAN COVER
12	PB060030		RACK SUPT REPL PB060010
13	PB060048		OVEN RACK - 27
14	B2006193		LH HEAT SHIELD (DED0)



Ref #	Part Number	Qty.	Description
1	PE030165		27 DOOR HANDLE
	PE030165PVD		27 DOOR HANDLE PVD
2	N/Ax		O/S DOOR PANEL ASSY (BEFORE 2/15/02) (BEFORE 2/15/02)
	G5008295BK		O/S DOOR SKIN ASSEMBLY (DESIGN) (AFTER 2/15/02)
	G5008295BT		O/S DOOR SKIN ASSEMBLY (DESIGN) (AFTER 2/15/02)
	G5008295GG		O/S DOOR SKIN ASSEMBLY (DESIGN) (AFTER 2/15/02)
	G5008295SG		O/S DOOR SKIN ASSEMBLY (DESIGN) (AFTER 2/15/02)
	G5008295SS		O/S DOOR SKIN ASSEMBLY (DESIGN) (AFTER 2/15/02)
	G5008295WH		O/S DOOR SKIN ASSEMBLY (DESIGN) (AFTER 2/15/02)
3	N/Ax		O/S DOOR PANEL ASSY (BEFORE 2/15/02) (BEFORE 2/15/02)
	PC020139		DESIGNER DOOR HINGE (AFTER 2/15/02) (AFTER 2/15/02)
4	A1006198		OUTER DOOR HEAT SHEILD 27
5	A1006197		INNER DOOR HEAT SHEILD 27
6	E9106007		27 INCH DOOR INSULAION RETAINER
7	N/Ax		O/S DOOR PANEL ASSY (BEFORE 2/15/02) (BEFORE 2/15/02)
	G50010119		DESO170/175/DED0270/275 DR LINER SVC-KIT (AFTER 2/15/02)
8	G3206150		27 INCH DESIGNER GLASS PACK ASSY
9	G50010119		DESO170/175/DED0270/275 DR LINER SVC-KIT
NI	PB070041		SUB TO 000623-000 - DOOR GASKET(3/8DIA.) (VDSC)
10	PE060056		27 GLASS PACK GLASS H.T.
NI	PB070092		BOARD INSULATION 27
NI	N/Ax		O/S DOOR PANEL ASSY (BEFORE 2/15/02) (BEFORE 2/15/02)
NI	G3207968BK		DOOR ASSY XBKX (DED0270/DESO170) (AFTER 2/15/02)
	G3207968BKBR		COMPLETE DOOR ASSY - BKBR (AFTER 2/15/02) (AFTER 2/15/02)
	G3207968BT		DOOR ASSY XBTX (DED0270/DESO170) (AFTER 2/15/02)
	G3207968BTBR		COMPLETE DOOR ASSY - BTBR (AFTER 2/15/02) (AFTER 2/15/02)
	G3207968GG		DOOR ASSY XGGX (DED0270/DESO170) (AFTER 2/15/02)
	G3207968GGBR		COMPLETE DOOR ASSY - GGBR (AFTER 2/15/02) (AFTER 2/15/02)
	G3207968SG		DOOR ASSY XSGX (DED0270/DESO170) (AFTER 2/15/02)
	G3207968SGBR		DOOR ASSY XSGXBRX (DED0270/DESO170) (AFTER 2/15/02)
	G3207968SS		DOOR ASSY XSSX (DED0270/DESO170) (AFTER 2/15/02)
	G3207968SSBR		COMPLETE DOOR ASSY - SSBR (AFTER 2/15/02) (AFTER 2/15/02)
	G3207968WH		DOOR ASSY XWHX (DED0270/DESO170) (AFTER 2/15/02)
	G3207968WHBR		COMPLETE DOOR ASSY - WHBR (AFTER 2/15/02) (AFTER 2/15/02)
NI	PD020032		SRW-8(A)X3/8PH.WFR HD 7/16DIAXNICL
NI	B1007913		HINGE CLIP (DESIGNER TIME PIECE)

Ref #	Part Number	Qty.	Description
NI	B1007913		HINGE CLIP (DESIGNER TIME PIECE) (AFTER 2/15/02)



Ref #	Part Number	Qty.	Description
1	PE030165		27 DOOR HANDLE
	PE030165PVD		27 DOOR HANDLE PVD
2	N/Ax		O/S DOOR PANEL ASSY (BEFORE 2/15/02) (BEFORE 2/15/02)
	G5008296BK		O/S DOOR SKIN ASSEMBLY (DESIGN) (AFTER 2/15/02)
	G5008296BT		COMPLETE DOOR ASSY (DESIGN) (AFTER 2/15/02)
	G5008296GG		COMPLETE DOOR ASSY (DESIGN) (AFTER 2/15/02)
	G5008296SG		COMPLETE DOOR ASSY (DESIGN) (AFTER 2/15/02)
	G5008296SS		COMPLETE DOOR ASSY (DESIGN) (AFTER 2/15/02)
	G5008296WH		COMPLETE DOOR ASSY (DESIGN) (AFTER 2/15/02)
3	N/Ax		O/S DOOR PANEL ASSY (BEFORE 2/15/02) (BEFORE 2/15/02)
	PC020139		DESIGNER DOOR HINGE (AFTER 2/15/02) (AFTER 2/15/02)
4	A1006198		OUTER DOOR HEAT SHEILD 27
5	A1006197		INNER DOOR HEAT SHEILD 27
6	E9106007		27 INCH DOOR INSULAION RETAINER
7	N/Ax		O/S DOOR PANEL ASSY (BEFORE 2/15/02) (BEFORE 2/15/02)
	G50010119		DESO170/175/DED0270/275 DR LINER SVC-KIT (AFTER 2/15/02)
8	G3206150		27 INCH DESIGNER GLASS PACK ASSY
NI	PB070041		SUB TO 000623-000 - DOOR GASKET(3/8DIA.) (VDSC)
9	G50010119		DESO170/175/DED0270/275 DR LINER SVC-KIT
10	PE060056		27 GLASS PACK GLASS H.T.
NI	PB070092		BOARD INSULATION 27
NI	N/Ax		O/S DOOR PANEL ASSY (BEFORE 2/15/02) (BEFORE 2/15/02)
NI	G3207967BK		COMPLETE DOOR ASSY - BK (AFTER 2/15/02) (AFTER 2/15/02)
	G3207967BKBR		COMPLETE DOOR ASSY - BKBR (AFTER 2/15/02) (AFTER 2/15/02)
	G3207967BT		LOWER DR ASSY XBTX (DED0270) (AFTER 2/15/02)
	G3207967BTBR		COMPLETE DOOR ASSY - BTBR (AFTER 2/15/02) (AFTER 2/15/02)
	G3207967GG		COMPLETE DOOR ASSY - GG (AFTER 2/15/02) (AFTER 2/15/02)
	G3207967GGBR		COMPLETE DOOR ASSY - GGBR (AFTER 2/15/02) (AFTER 2/15/02)
	G3207967SG		LOWER DR ASSY XSGX (DED0270) (AFTER 2/15/02)
	G3207967SGBR		COMPLETE DOOR ASSY - SGBR (AFTER 2/15/02) (AFTER 2/15/02)
	G3207967SS		LOWER DR ASSY XSSX (DED0270) (AFTER 2/15/02)
	G3207967SSBR		COMPLETE DOOR ASSY - SSBR (AFTER 2/15/02) (AFTER 2/15/02)
	G3207967WH		LOWER DR ASSY XWHX (DED0270) (AFTER 2/15/02)
	G3207967WHBR		COMPLETE DOOR ASSY - WHBR (AFTER 2/15/02) (AFTER 2/15/02)
NI	PD020032		SRW-8(A)X3/8PH.WFR HD 7/16DIAXNICL
NI	B1007913		HINGE CLIP (DESIGNER TIME PIECE)



Ref #	Part Number	Qty.	Description
NI	B1007913		HINGE CLIP (DESIGNER TIME PIECE) (AFTER 2/15/02)

*No Image  
Available*

Ref #	Part Number	Qty.	Description
NI	PE070319	1	DESO PREHEAT HARNESS
NI	PE070320	1	DEDO PREHEAT HARNESS
NI	PE070311	1	UPPER DOUBLE/SINGLE OVEN HARNESS
NI	PE070310	1	UPPER LATCH HARNESS
NI	PE070313	1	LOWER DOUBLE OVEN HARNESS
NI	PE070312	1	LOWER LATCH HARNESS