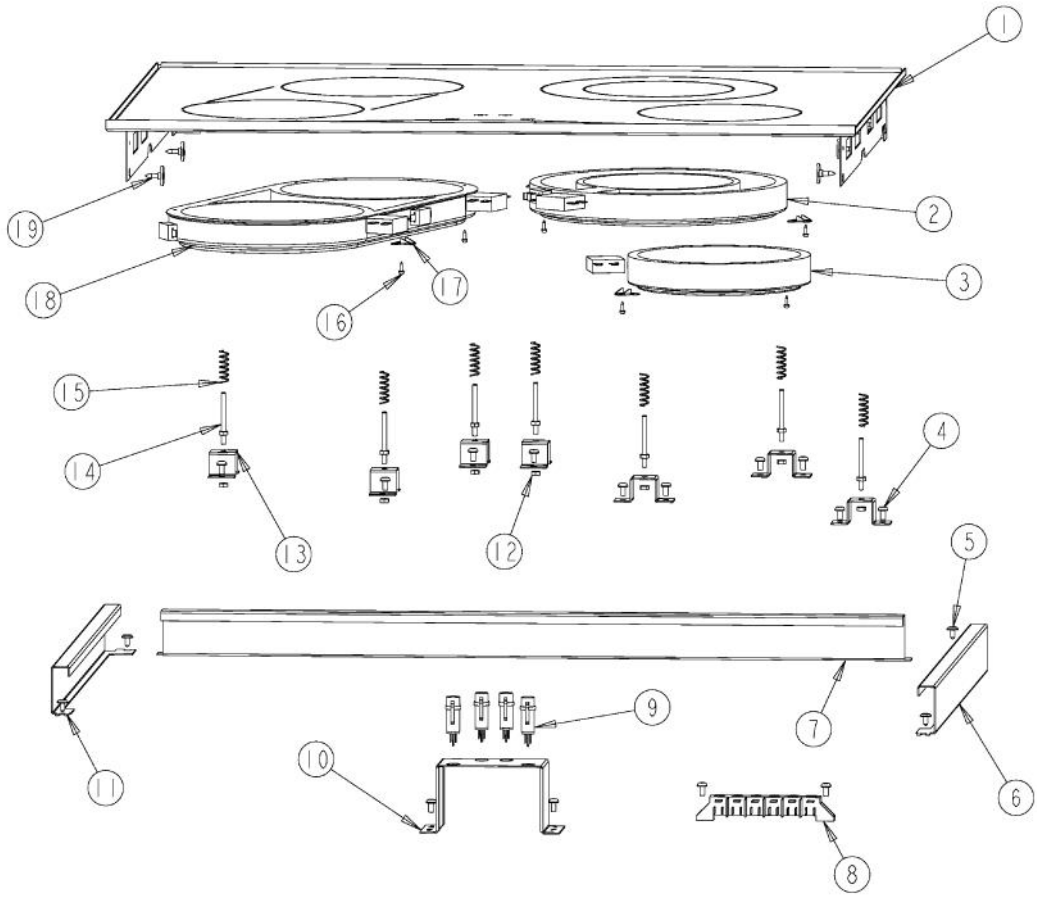
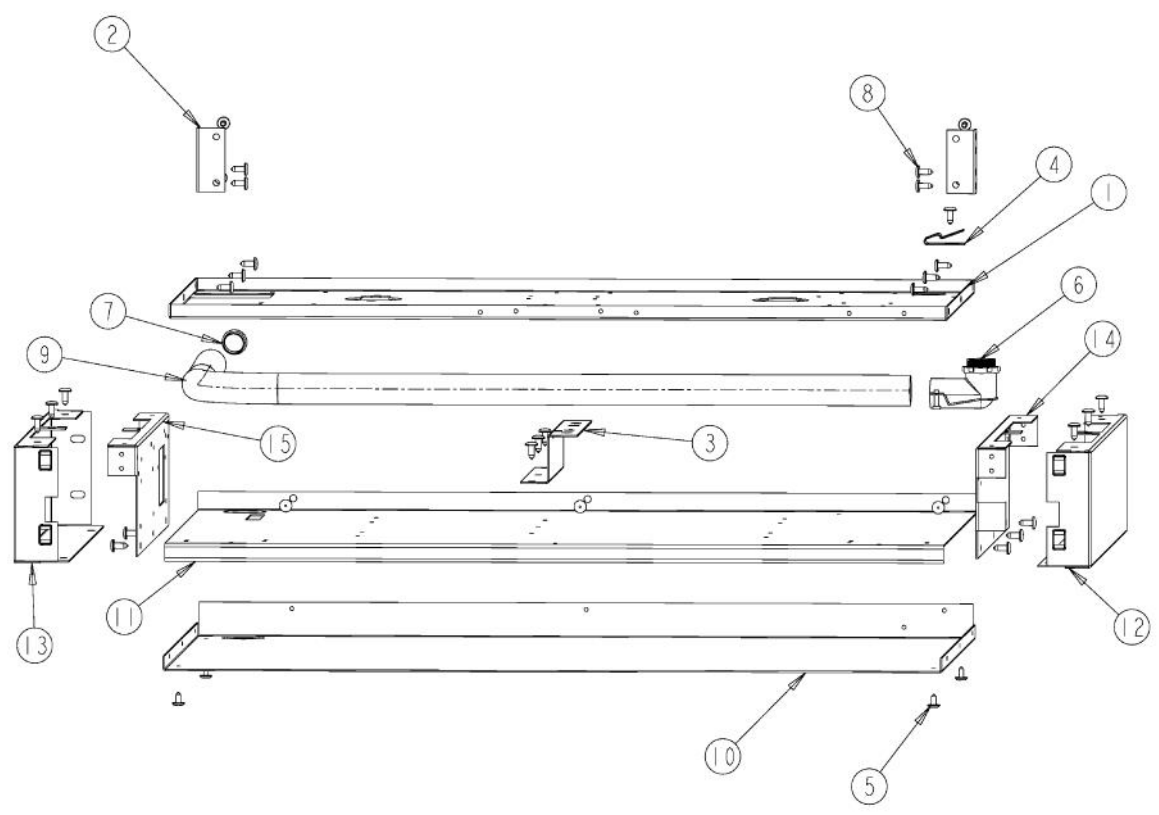


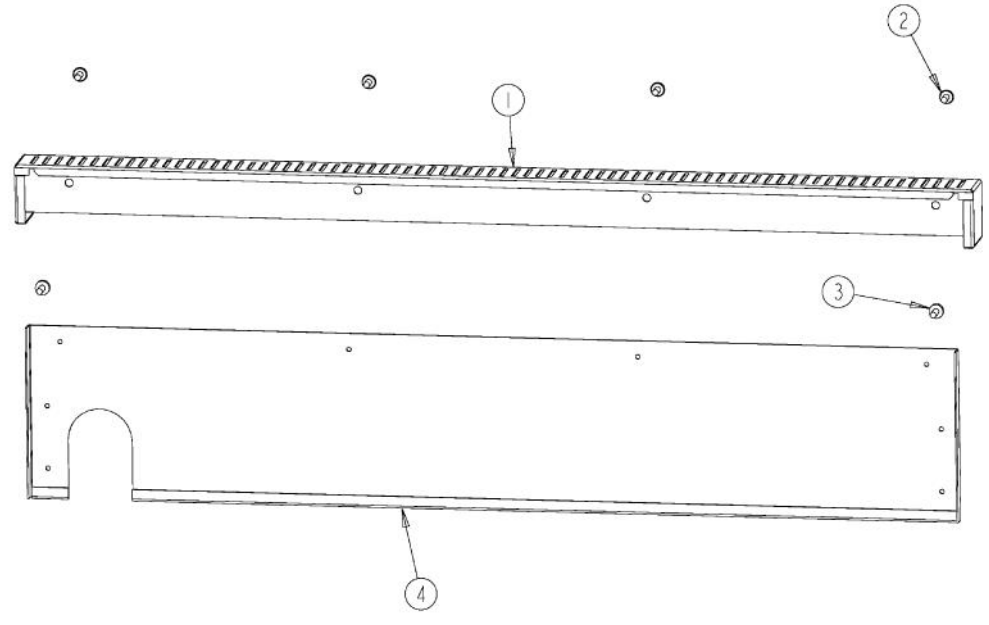
Ref #	Part Number	Qty.	Description
1	PJ030019		INFINITE SWITCH
2	PJ030028		DUAL INFINITE SWITCH
3	PE050079		LENS OPENING
4	PD020044		NO.8-32 X 1/4 PH. TR. HD. M.S.
5	PE030141		CONTROL PANEL END CAP, RH DGRT
6	B92012270		CONTROL PANEL- DERT300-4B
7	PA010207		KNOB-CHROME W/BLACK SLEEVE
	PA010207PVD		KNOB- BRASS W/BLACK SLEEVE
	PA010208		KNOB-CHROME W/GRAY SLEEVE
	PA010208PVD		KNOB- BRASS W/GRAY SLEEVE
8	PA010209		KNOB - CHROME/BLK/DUAL INF.
	PA010209PVD		KNOB - BRASS/BLK/DUAL INF.
	PA010210		KNOB - CHROME/GRAY/DUAL INF.
	PA010210PVD		KNOB - BRASS/GRAY/DUAL INF.
9	PD020002		10 X 1/2 PH.TR.HD.SMS.
10	A20013835		FINGER SHIELD 30
11	PD010003		10-24 X 1/2 PH.TR.HD.SERD.M.S.
12	PE030140		CONTROL PANEL END CAP, LH DGRT
13	PD030005		SELF RETAINING NUT
14	PE050080		JEMCO LENS



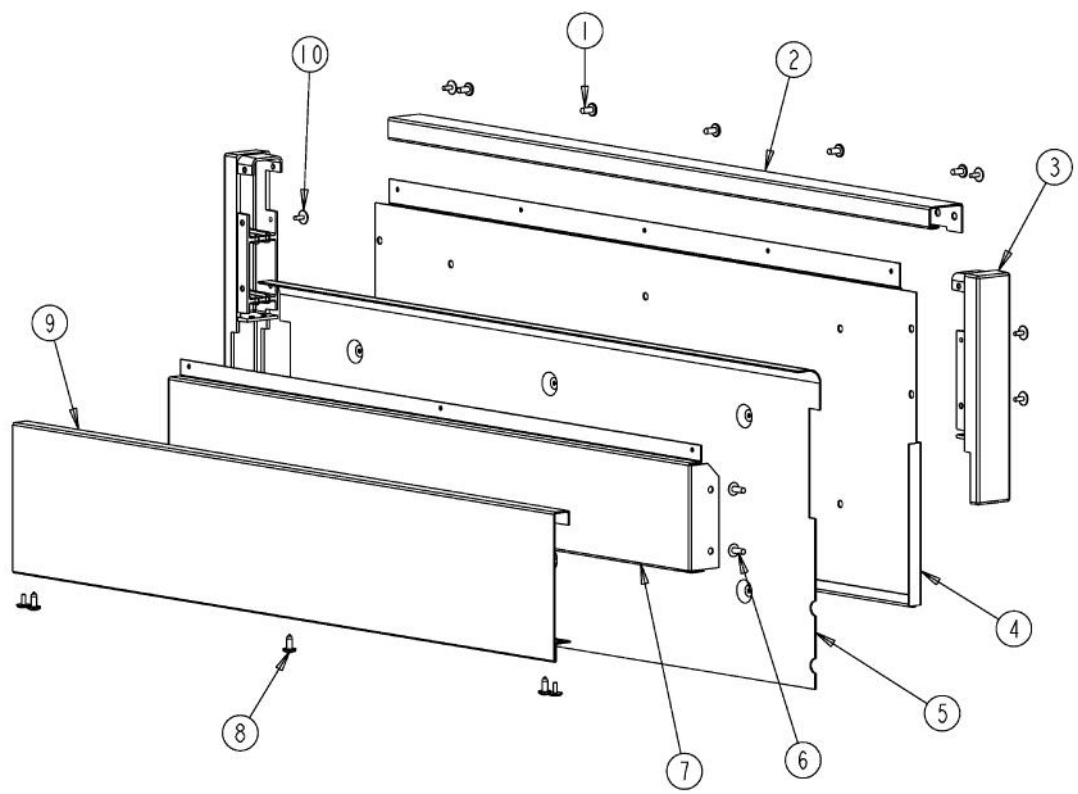
Ref #	Part Number	Qty.	Description
1	A2005723		DECU30 LIGHT BRACKET
2	B20011269		SIDE TRIM, LH
3	B20013827		BACK TRIM, DERT300
4	PE07231		TERMINAL BLOCK
5	PD020032		SRW-8(A)X3/8PH.WFR HD 7/16DIAXNICL
6	PJ020003		ELEMENT
7	PJ020005		2500 ELEMENT
8	PJ020004		ELEMENT-(2)1800 X 800
9	PD020004		10X3/8PH.HD.TYPE 25 REPL PD040125
10	PD010148		ELEMENT STUD
11	PM010494		CERAMASPEED BRACKET
12	PE050113		DECU INDICATOR LIGHT (SP-2185-BDPS)
13	PD040056		ELEMENT STUD NUT
14	G50013840BK		30 DERT TOP ASSY XBKX
	G50013840WH		GLASS TOP ASSEMBLY - WHITE GLASS
15	A20014957		GUIDE MOUNTING BRACKET
16	PC010006		GUIDE SPRING DESU
17	B20011270		SIDE TRIM, RH
18	PD020013		TYPE AB NO.6 X 3/8 PH PAN HD. SMS
19	PD010151		SHOULDER SCREW



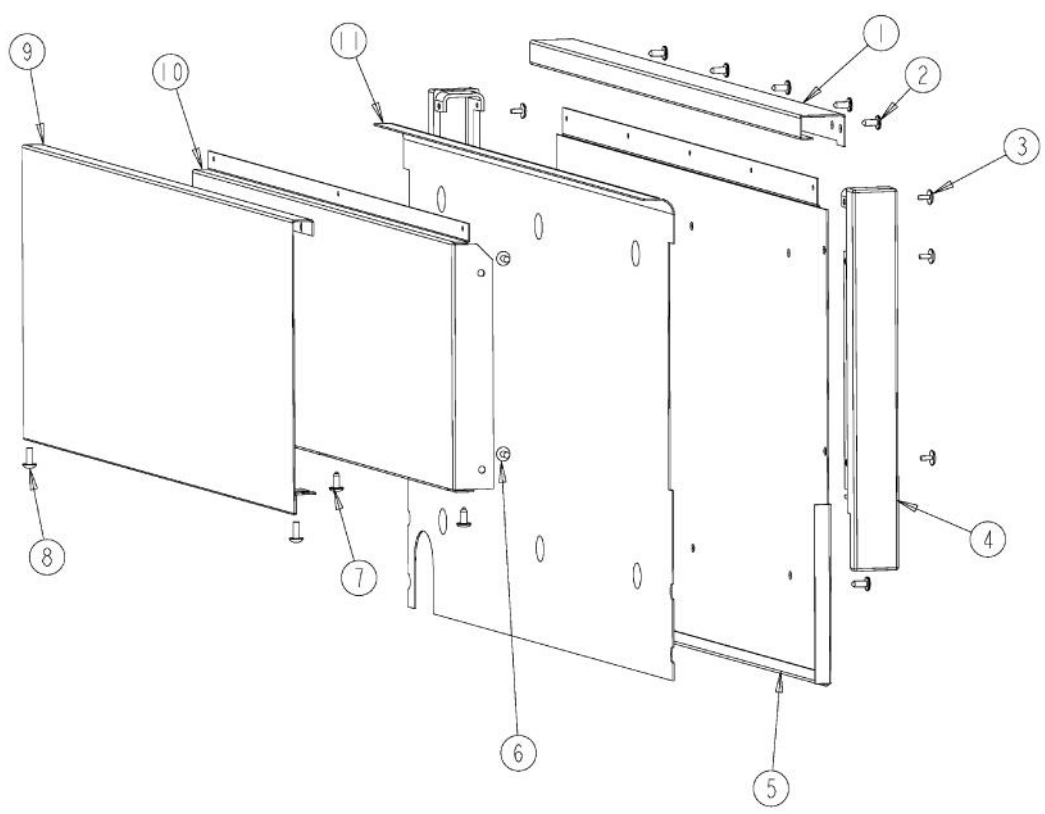
Ref #	Part Number	Qty.	Description
1	A20011409		BURNER PAN SUPPORT DGRT30
2	A20013830		GLASS TRAY SIDE BRACKET
3	A20013839		ELEMENT SUPPORT BRACE
4	PD030062		.250 HI-LIMIT SWITCH CLAMP(VGSC306)
5	PD020032		SRW-8(A)X3/8PH.WFR HD 7/16DIAXNICL
6	PB040259		90 DEG. 3/4 CONDUIT FITTING
7	PD040131		CONDUIT GROMMET (3/4)
8	PD020002		10 X 1/2 PH.TR.HD.SMS.
9	PB020259		3/4 CONDUIT
10	A20014518		BURNER BOX BOTTOM
11	A20014519		INSULATION PANEL
12	B20011272		SIDE PANEL, RH
13	B20011271		SIDE PANEL, LH
14	A20011268		BURNER BOX SIDE, RH
15	A20011267		BURNER BOX SIDE, LH



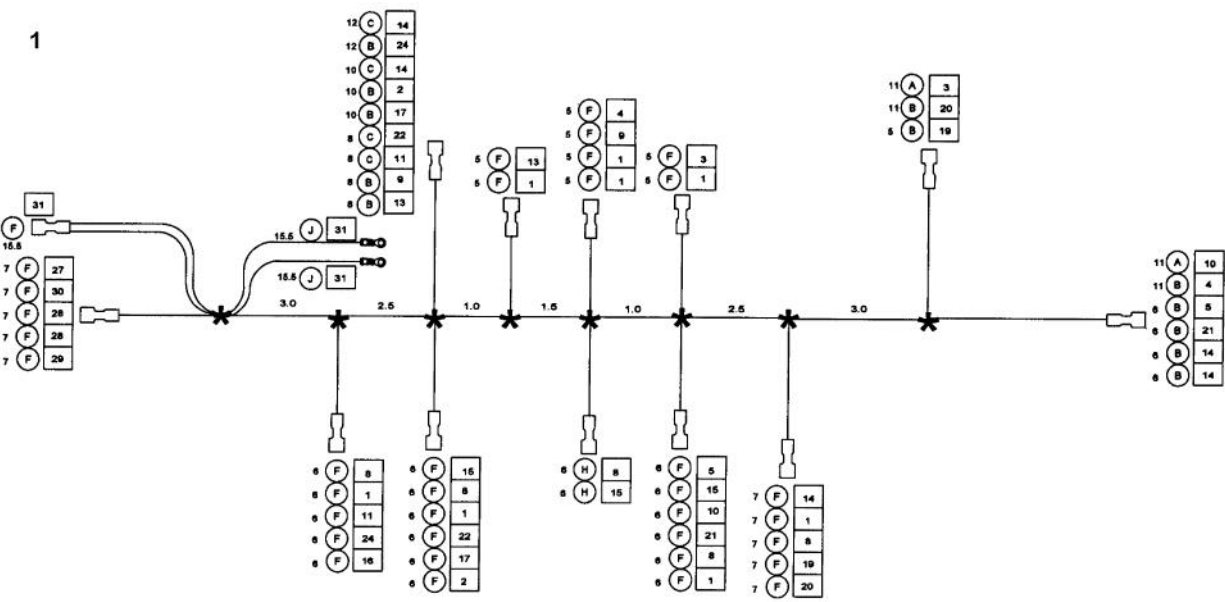
Ref #	Part Number	Qty.	Description
1	B30012255		ISLAND TRIM TOP
2	PD020046		NO.8 X 1/2 SCREWS
3	PD020056		NO.10-24 X 1/2 PH.TR. M.S. SS
4	A20012256		ISLAND TRIM BACK



Ref #	Part Number	Qty.	Description
1	PD020046		NO.8 X 1/2 SCREWS
2	B20012254		BACKGUARD, TOP
3	PE030152		BACKGUARD ENDCAP, RH, DGRT
4	A20011404		BACKGUARD BACK
5	B20011405		INSIDE SHIELD
6	PD010003		10-24 X 1/2 PH.TR.HD.SERD.M.S.
7	A20011406		BACKGUARD FRONT SUPPORT
8	PD020002		10 X 1/2 PH.TR.HD.SMS.
9	B20011407		BACKGUARD FRONT
10	PD020073		SRW NO.10 X 24 X 3/8 WAFER HD TYPE23



Ref #	Part Number	Qty.	Description
1	B20012254		BACKGUARD, TOP
2	PD020046		NO.8 X 1/2 SCREWS
3	PD020073		SRW NO.10 X 24 X 3/8 WAFER HD TYPE23
4	PE030176		BACKGUARD ENDCAP, 10 RH DGRT
5	A20013849		BACKGUARD BACK
6	PD020056		NO.10-24 X 1/2 PH.TR. M.S. SS
7	PD020002		10 X 1/2 PH.TR.HD.SMS.
8	PD010003		10-24 X 1/2 PH.TR.HD.SERD.M.S.
9	B20013848		BACKGUARD FRONT
10	A20013847		BACKGUARD FRONT SUPPORT
11	B20013850		INSIDE SHIELD



Ref #	Part Number	Qty.	Description
1	PE070480		EDECU 100 WIRE HARNESS
NI	G4005496		SUPPLY WIRE - 100 BK 10GA SO/DO
NI	G4005497		SUPPLY WIRE - 100 GREEN 10GA SO/DO
NI	G4005499		SUPPLY WIRE - 100 RED 10GA SO/DO
NI	G4005494		SUPPLY WIRE - 75 WH 12 GA SO/DO