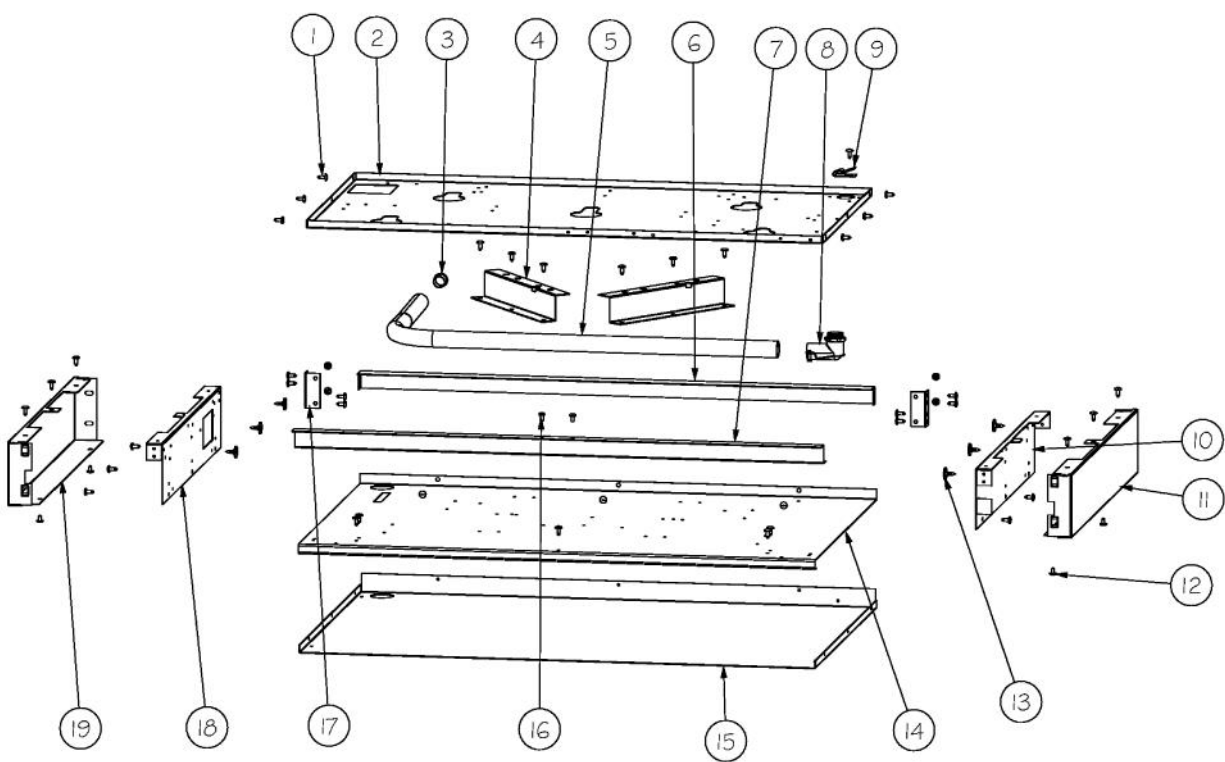
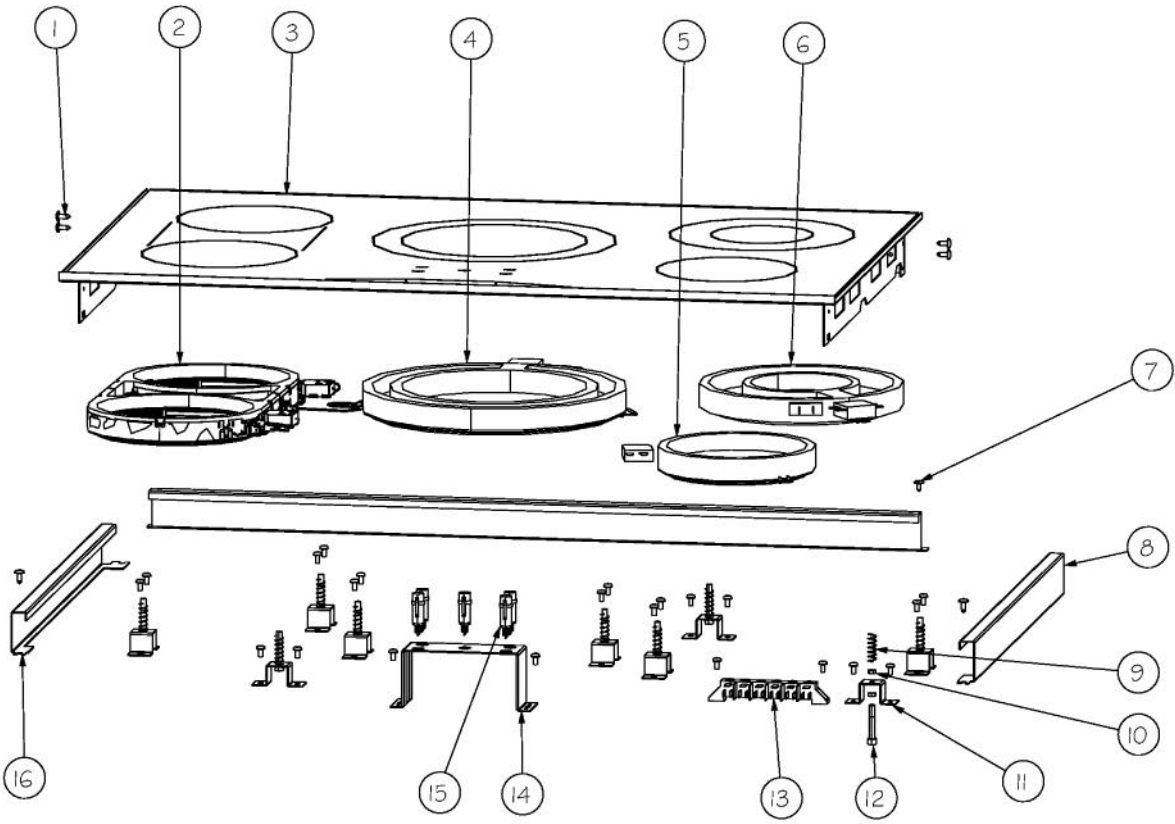


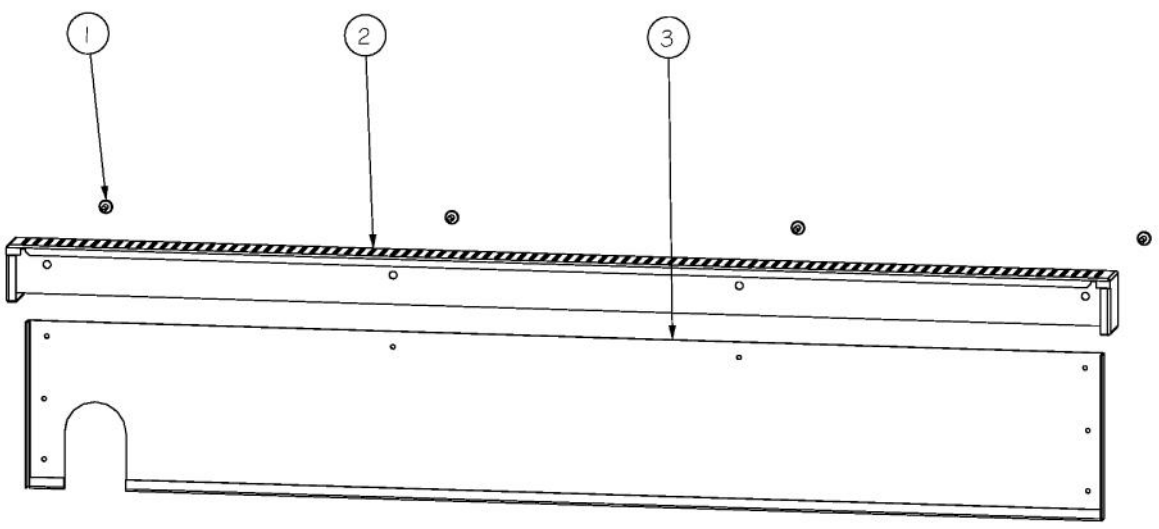
Ref #	Part Number	Qty.	Description
1	PD020002	6	10 X 1/2 PH.TR.HD.SMS.
2	A20015497	1	SWITCH MOUNTING PLATE - 36
3	PJ030049	2	DOUBLE INFINITE SWITCH
4	PJ030028	3	DUAL INFINITE SWITCH
5	017582-000	1	LIGHT HOUSING, BLUE NEON
6	PD020044	10	NO.8-32 X 1/4 PH. TR. HD. M.S.
7	PD030005	3	SELF RETAINING NUT
8	PE030141	1	CONTROL PANEL END CAP, RH DGRT
9	PD010003	6	10-24 X 1/2 PH.TR.HD.SERD.M.S.
10	016767-000	1	CONTROL PANEL-DETR362-5B W/GRAPHICS
11	A20013836	1	FINGER SHIELD, 36
12	PA010207	2	KNOB-CHROME W/BLACK SLEEVE
13	PA010209	3	KNOB - CHROME/BLK/DUAL INF.
14	017579-000	1	LENS, BLUE
15	PE030140	1	CONTROL PANEL END CAP, LH DGRT



Ref #	Part Number	Qty.	Description
1	PD020002	42	10 X 1/2 PH.TR.HD.SMS.
2	A20011265	1	BURNER PAN SUPPORT
3	PD040131	1	CONDUIT GROMMET (3/4)
4	A20013839	2	ELEMENT SUPPORT BRACE
5	PB020259	1	3/4 CONDUIT
6	A20016224	1	DERT361 REAR TOP SUPPORT
7	A20016223	1	DERT361 FRONT TOP SUPPORT
8	PB040259	1	90 DEG. 3/4 CONDUIT FITTING
9	PD030062	1	.250 HI-LIMIT SWITCH CLAMP(VGSC306)
10	A20011268	1	BURNER BOX SIDE, RH
11	B20011272	1	SIDE PANEL, RH
12	PD020032	4	SRW-8(A)X3/8PH.WFR HD 7/16DIAXNICL
13	PD020151	6	SHOULDER SCREW
14	A20014534	1	36 BOTTOM INS PANEL
15	A20014533	1	36 BURNER BOX BOTTOM
16	PD020004	2	10X3/8PH.HD.TYPE 25 REPL PD040125
17	A20013830	1	GLASS TRAY SIDE BRACKET
18	A20011267	1	BURNER BOX SIDE, LH
19	B20011271	1	SIDE PANEL, LH



Ref #	Part Number	Qty.	Description
1	PD020002	4	10 X 1/2 PH.TR.HD.SMS.
2	PJ020004	1	ELEMENT-(2)1800 X 800
3	PE040310	1	DERT 360-GLASS-BLACK
4	PJ020015	1	12 2700/1400W DUAL ZONE ELEMENT
5	PJ020003	1	ELEMENT
6	PJ020002	1	ELEMENT 2200 (750)
7	PD020032	2	SRW-8(A)X3/8PH.WFR HD 7/16DIAXNICL
8	B20011270	1	SIDE TRIM, RH
9	PC010006	9	GUIDE SPRING DESU
10	PD040056	9	ELEMENT STUD NUT
11	A20014957	9	GUIDE MOUNTING BRACKET
12	PD010148	9	ELEMENT STUD
13	PE070231	1	TERMINAL BLOCK - 6 POLE (HEYCO)
14	A2005726	1	DECU36 LIGHT HOLDER
15	PE050113	5	DECU INDICATOR LIGHT (SP-2185-BDPS)
16	B20011269	1	SIDE TRIM, LH



Ref #	Part Number	Qty.	Description
1	PD020046	4	NO.8 X 1/2 SCREWS
2	B30011275	1	ISLAND TRIM TOP
3	A20011279	1	ISLAND TRIM, BACK, 36