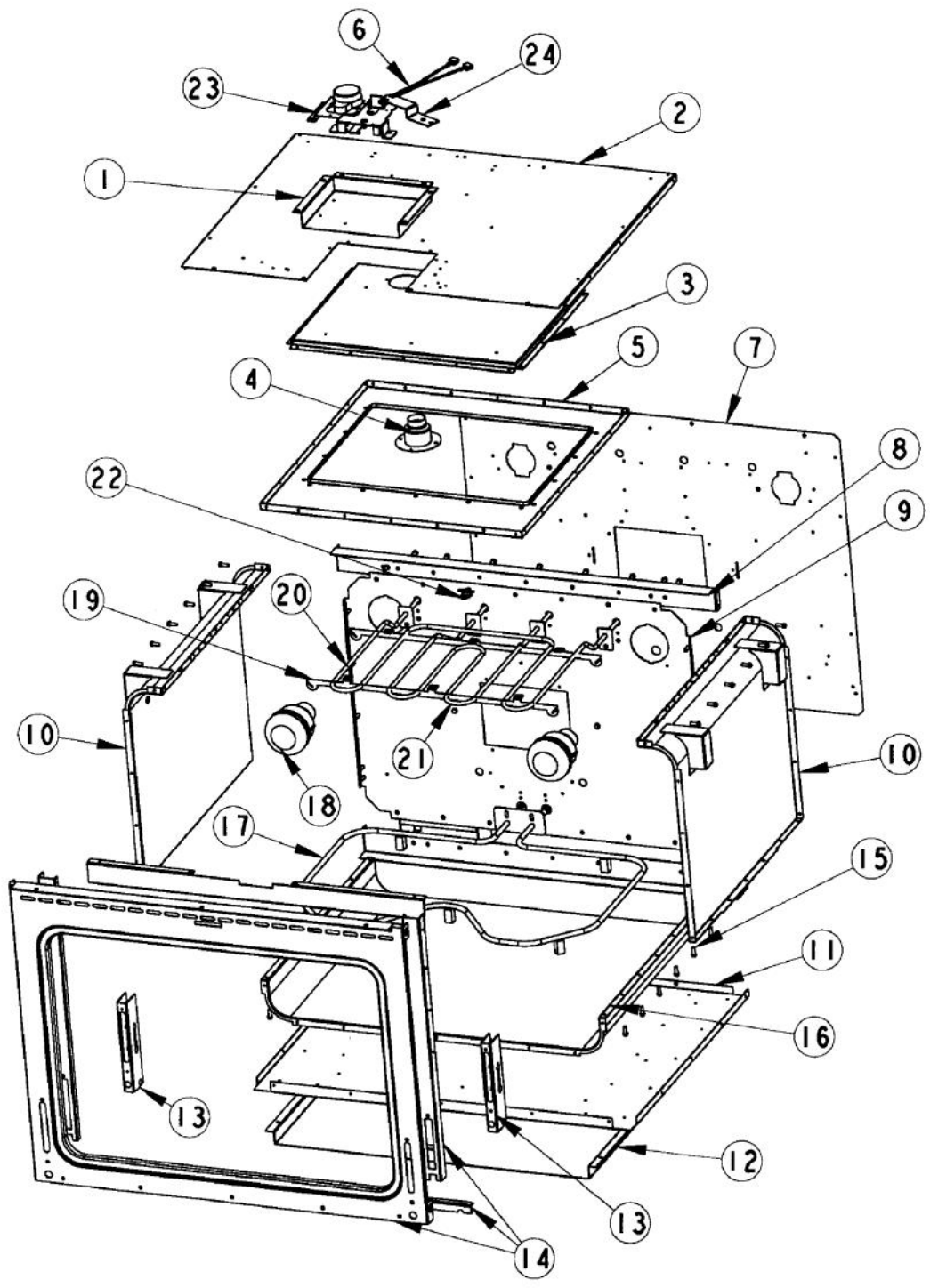
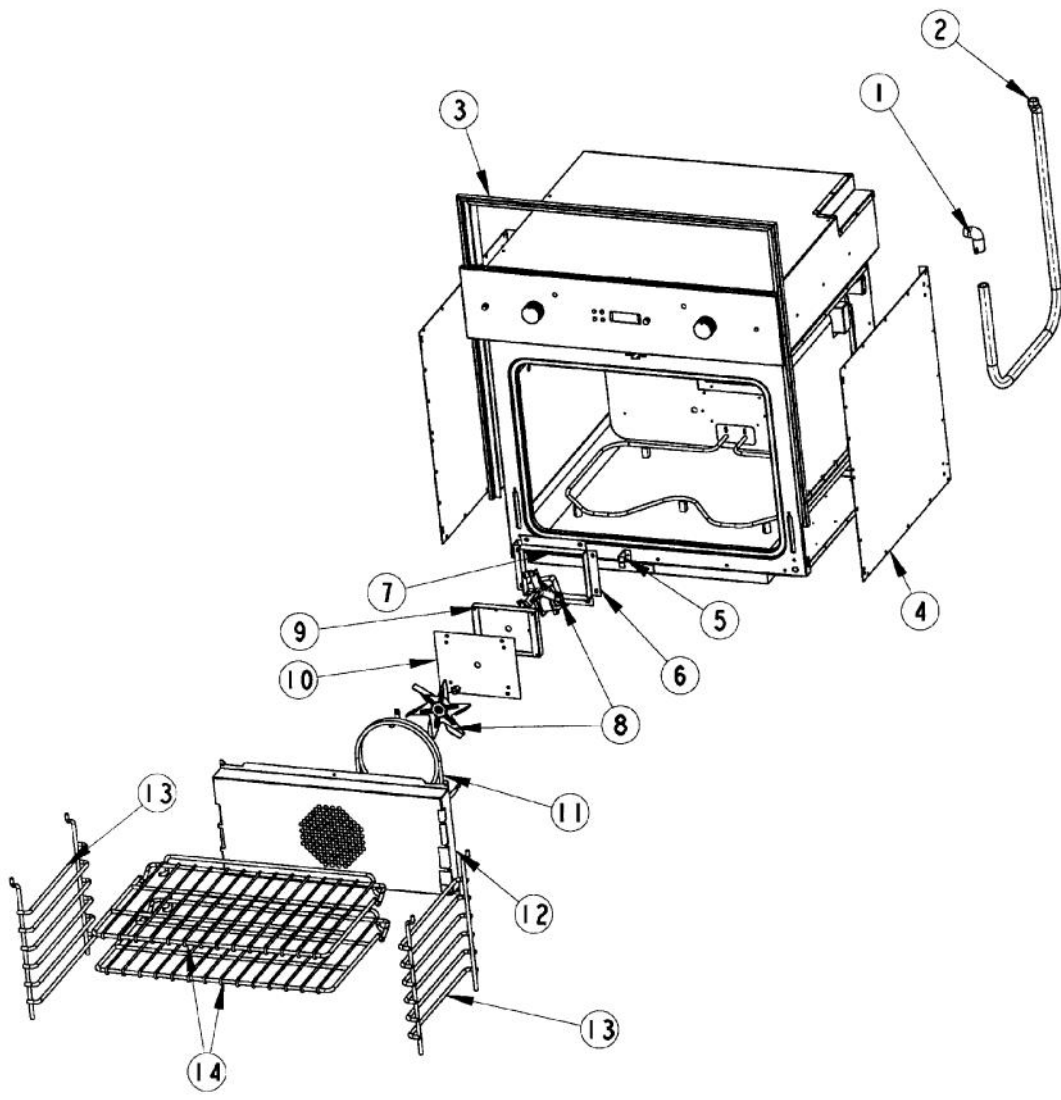


Ref #	Part Number	Qty.	Description
1	A2006173		DESIGNER OVEN CABINET TOP
2	A2006172		30 TOP REAR COVER
3	A2002966		TOP CHANNEL (VESO105)
4	A2006171		CABINET SIDE RH
5	PE070147		TERMINAL BLOCK
6	PD040005		SNAP BUSHING - 7/8
7	NOT REPLACABLE		LABEL
8	NOT REPLACABLE		LABEL
9	A2006184		FRONT SANDWICH PANEL ANGLE 30
10	G4008423		DESIGNER OVEN LIGHT SWITCH ASSY
11	A2006101		OVEN LIGHT SWITCH BRACKET
12	PJ030037		SUB TO PS500033 - SELF CLEAN THERMOSTAT
13	A2006144		CONTROL MOUNT BRACKET
14	B9206139		CONTROL PANEL - DESO 100 (SS) (BEFORE 3/01/02)
14	C9206139BK		CTRL PAN DESO100 XBKX SLK. SC. (BEFORE 3/01/02)
14	C9206139BT		CTRL PAN DESO100 XBTX SLK. SC. (BEFORE 3/01/02)
14	C9206139GG		CTRL PAN DESO100 XGGX SLK. SC. (BEFORE 3/01/02)
14	C9206139SG		CTRL PAN DESO100 XSGX SLK. SC. (BEFORE 3/01/02)
14	C9206139WH		CTRL PAN DESO100 XWHX SLK. SC. (BEFORE 3/01/02)
14	B9207960		CONTROL PANEL 30 SGL (ON OR AFTER 3/01/02)
14	C9207960BK		CTRL PANEL 30 SGL XBKX SLK. SC. (ON OR AFTER 3/01/02)
14	C9207960BT		CTRL PANEL 30 SGL XBTX SLK. SC. (ON OR AFTER 3/01/02)
14	C9207960GG		CTRL PANEL 30 SGL XGGX SLK. SC. (ON OR AFTER 3/01/02)
14	C9207960SG		CTRL PANEL 30 SGL XSGX SLK. SC. (ON OR AFTER 3/01/02)
14	C9207960WH		CTRL PANEL 30 SGL XWHX SLK. SC. (AFTER 3/01/02)
15	PA010093		DESIGNER OVEN LT SWITCH KNOB
15	PA010093PVD		DESIGNER OVEN LT SWITCH KNOB-BRASS
16	PB010196		DESIGNER THERMOSTAT KNOB
16	PB010196PVD		DESIGNER THERMOSTAT KNOB W/BRASS
16	PB010204		DESIGNER THERMOSTAT KNOB - GRAY
16	PB010204PVD		DESIGNER THERMOSTAT KNOB -BR/GRAY
17	PB010222		DESIGNER BIT GENERATOR KNOB
17	PB010222PVD		DESIGNER BIT GENERATOR KNOB-BRASS
18	PE050073		DESIGNER INDICATOR LT
19	PA010091		SELECTOR KNOB - BK
19	PA010091PVD		DESIGNER SELECTOR KNOB - BR
19	PA010095		DESIGNER SELECTOR KNOB - GRAY
19	PA010095PVD		DESIGNER SELECTOR KNOB-BR/GRAY
20	PA010092		OVEN SELECTOR KNOB - BK
20	PA010092PVD		DESIGNER OVEN SELECTOR KNOB - BRASS
21	E9106135		CONTROL MOUNTING PANEL 30
22	A2006100		THREE POSITION SELECTOR BRKT
23	PJ030011		SWITCH (2-POSITION) VESO105
24	A2006123		CABINET SIDE LH
25	A2006109		SELECTOR SWITCH COVER
26	PE050049		CLOCK/TIMER(ROBERTSHAWNO.100-00550-01
27	PJ030001		SELECTOR SWITCH (8-POSITION) VDSC
28	A2006186		POWER RELAY BRACKET

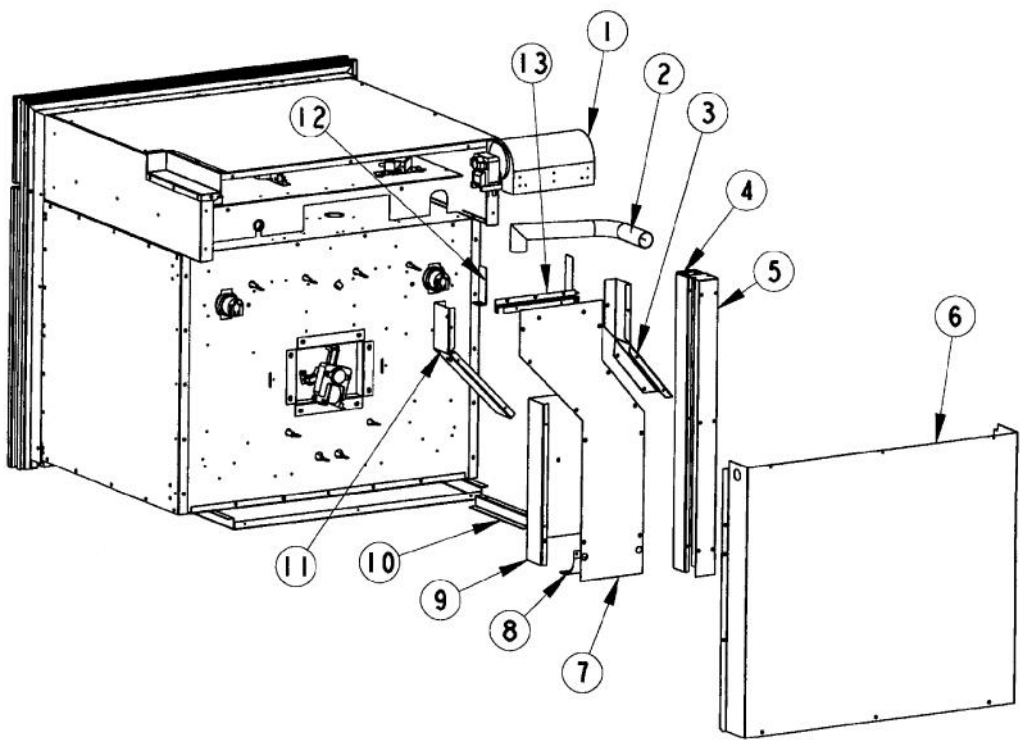
Ref #	Part Number	Qty.	Description
28	A2006186		POWER RELAY BRACKET
29	PM010029		RELAY (DOUBLE POLE-DOUBLE THROW)TEM
30	A1002456		THERMO-DISC BRKT (VDSC)
31	PJ030002		AUTO RESET (SELF-CLEAN) VDSC
32	PM010129		RELAY
33	A2006099		TIMER BOARD BRACKET
34	PD030033		GROMMET NUT-ROUND HD. NO.8 X .500DIA.
35	PE070148		SELF-CLEAN BOARD/TIMER (VDSC)
36	PB010217		DESIGNER CLOCK BUTTON
36	PB010217PVD		DESIGNER CLOCK BUTTON- BRASS
37	A2006098		CLOCK MOUNTING BRACKET
38	G5007605		PRE-HEAT BOARD KIT (DESO100/170)
NI	PE070308		PRE-HEAT BOARD
NI	PE070319		DESO PREHEAT HARNESS



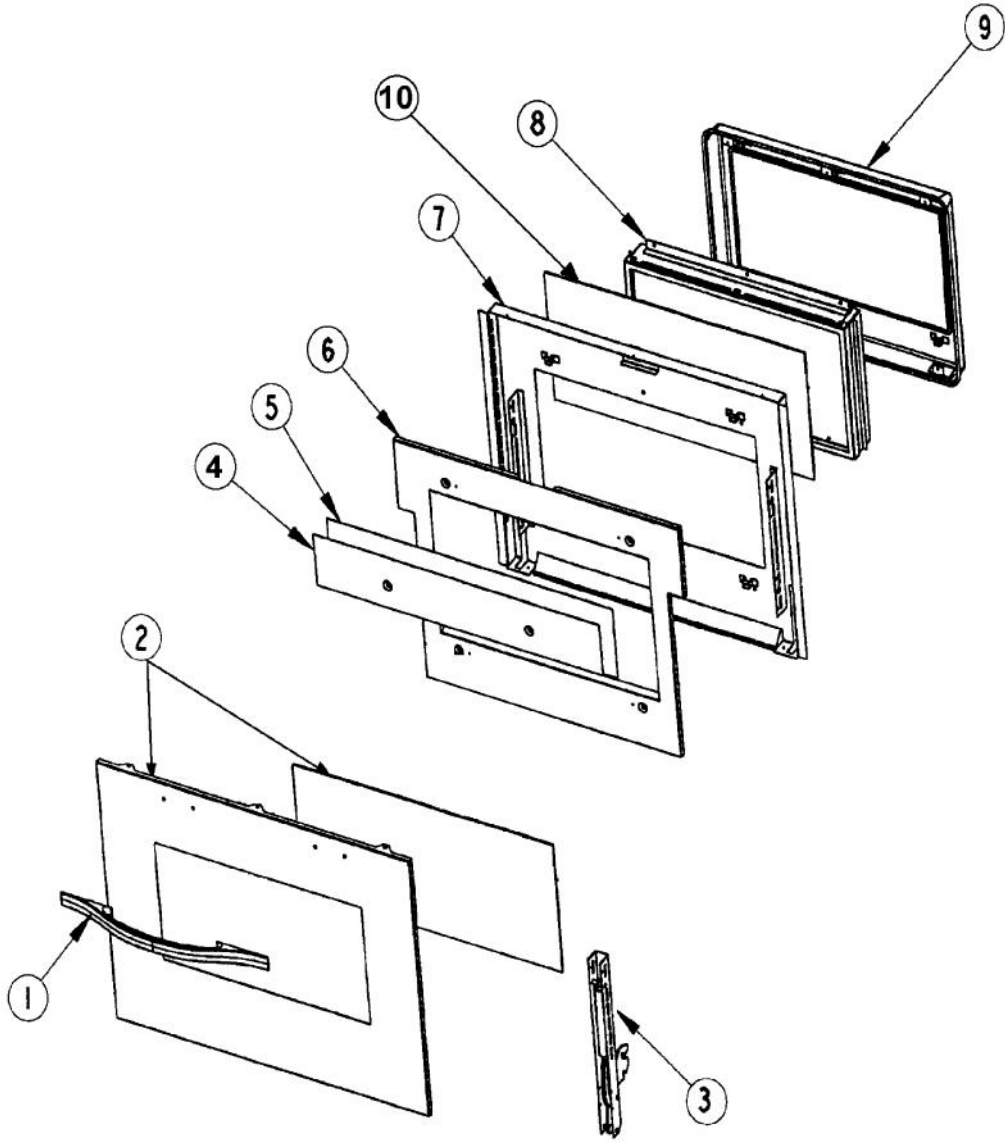
Ref #	Part Number	Qty.	Description
1	A2002168		DOOR LATCH BRKT (VDSC)
2	NOT REPLACEABLE		OVEN CAVITY (NOT REPLACEABLE PART)
3	B2002167		BROILER TOP (VDSC)
4	PM010014		SMOKE ELIMINATOR (VDSC)
5	E9102153		OVEN TOP (VDSC)
6	PE050059		HI-LIMIT SWITCH
7	NOT REPLACEABLE		OVEN CAVITY (NOT REPLACEABLE PART)
8	A2002158		REAR OVEN SUPT (VDSC)
9	NOT REPLACEABLE		OVEN CAVITY (NOT REPLACEABLE PART)
10	NOT REPLACEABLE		OVEN CAVITY (NOT REPLACEABLE PART)
11	A2002961		BOTTOM INSULATION RETAINER(VEDO/SO)
12	A2006005		OVEN BOTTOM VENT 30
13	PC020016		HINGE RECEIVER (VEDO/VEDO)
14	H9106118		30 INCH DESIGNER F.F. ASSEMBLY
15	PD020060		10 X 1/2 (5/16)HEX WSHR HD.(T)A
16	NOT REPLACEABLE		OVEN CAVITY (NOT REPLACEABLE PART)
17	PJ010004		BAKE ELEMENT (VDSC) 240V
18	PE050009		OVEN LIGHT SOCKET - 36 BUILT-IN
19	B2002185		BROIL ELEMENT BRKT (VDSC)
20	PJ010002		BROIL ELEMENT(MAXI)-SIDE (VDSC)240V
21	PJ010001		BROIL ELEMENT 240V
22	PJ030006		SWITCH (COOLING FAN)
23	PE050053		DR LATCH REPL PE050020
24	A2006102		UPPER VENT BRACKET



Ref #	Part Number	Qty.	Description
1	PB040070		CONDUIT FITTING (90 DEG)
2	PB020071		CONDUIT - FLEXIBLE (48)
3	G3006125		FRONT TRIM ASSY 30 SINGLE
4	A2002904		SIDE INSULATION RETAINER
5	A2001361		BACK SPACER (VGSC/VGSS)
6	A2001745		FAN INSUL. SHIELD - UPPER / LOWER
7	A2001746		FAN INSUL. SHIELD - SIDE
8	PE050005		CONVECTION FAN ASSY
9	A2002595		CONVECTION FAN BOX (VDSC)
10	A1002596		CONVECTION FAN COVER (VDSC)
11	PJ010003		CONVECTION ELEMENT (VDSC) 240V
12	E9102170		CONVECTION FAN COVER
13	PB060030		RACK SUPT REPL PB060010
14	PB060044		OVEN RK VDSC30/48RH REPL PB060019



Ref #	Part Number	Qty.	Description
1	PE050087		BLOWER ASSEMBLY - DESIGNER SERIES
2	PB020117		DESIGNER OVEN VENT
3	A2006324		VENT SIDE LH
4	A2006188		SINGLE OVEN FLUE
5	A2006189		SINGLE OVEN FLUE COVER
6	A2006110		30 INCH SINGLE REAR COVER
7	A1006190		SINGLE OVEN COVER PLATE
8	A2006182		AIR SCOOP
9	A2006326		LOWER AIR VENT SINGLE
10	A2006325		LOWER VENT SEPARATOR
11	A2006323		VENT SIDE RH
12	A2006183		AIR GUIDE
13	A2006048		FAN MOUNTING BRACKET



Ref #	Part Number	Qty.	Description
1	PE030167		30 DOOR HANDLE
1	PE030167PVD		30 DOOR HANDLE PVD
2	N/Ax		O/S DOOR PANEL ASSY (BEFORE 2/15/02) (BEFORE 2/15/02)
2	G5008293BK		O/S DOOR SKIN ASSEMBLY (DESIGN) (AFTER 2/15/02)
2	G5008293BT		O/S DOOR SKIN ASSEMBLY (DESIGN) (AFTER 2/15/02)
2	G5008293GG		O/S DOOR SKIN ASSEMBLY (DESIGN) (AFTER 2/15/02)
2	G5008293SG		O/S DOOR SKIN ASSEMBLY (DESIGN) (AFTER 2/15/02)
2	G5008293SS		O/S DOOR SKIN ASSEMBLY (DESIGN) (AFTER 2/15/02)
2	G5008293WH		O/S DOOR SKIN ASSEMBLY (DESIGN) (AFTER 2/15/02)
3	N/Ax		O/S DOOR PANEL ASSY (BEFORE 2/15/02) (BEFORE 2/15/02)
3	PC020139		DESIGNER DOOR HINGE (AFTER 2/15/02) (AFTER 2/15/02)
4	A1006196		OUTER DOOR HEAT SHIELD 30
5	A1006195		INNER DOOR HEAT SHIELD 30
6	A2006016		30 INCH DESIGNER DOOR INSULATION
7	N/Ax		O/S DOOR PANEL ASSY (BEFORE 2/15/02) (BEFORE 2/15/02)
NI	G50010118		DESO100/105/DEDO200/205 DR LINER SVC-KIT (AFTER 2/15/02)
8	G3206151		30 INCH DESIGNER GLASS PACK ASSY
9	G50010118		DESO100/105/DEDO200/205 DR LINER SVC-KIT
NI	PB070041		SUB TO 000623-000 - DOOR GASKET(3/8DIA.) (VDSC)
10	PE060057		30 GLASS PACK GLASS H.T.
NI	PB070093		BOARD INSULATION 30
NI	N/Ax		O/S DOOR PANEL ASSY (BEFORE 2/15/02) (BEFORE 2/15/02)
NI	G3207970BK		DOOR ASSY XBKX (DEDO200/DESO100) (AFTER 2/15/02)
NI	G3207970BKBR		DOOR ASSY XBKXBRX (DEDO200/DESO100) (AFTER 2/15/02)
NI	G3207970BT		DOOR ASSY XBTX (DEDO200/DESO100) (AFTER 2/15/02)
NI	G3207970BTBR		DOOR ASSY XBTXBR (DEDO200/DESO100) (AFTER 2/15/02)
NI	G3207970GG		DOOR ASSY XGGX (DEDO200/DESO100) (AFTER 2/15/02)
NI	G3207970GGBR		DOOR ASSY XGGXBRX (DEDO200/DESO100) (AFTER 2/15/02)
NI	G3207970SG		DOOR ASSY XSGX (DEDO200/DESO100) (AFTER 2/15/02)
NI	G3207970SGBR		DOOR ASSY XSGXBRX (DEDO200/DESO100) (AFTER 2/15/02)
NI	G3207970SS		DOOR ASSY XSSX (DEDO200/DESO100) (AFTER 2/15/02)
NI	G3207970SSBR		DOOR ASSY XSSXBRX (DEDO200/DESO100) (AFTER 2/15/02)
NI	G3207970WH		DOOR ASSY XWHX (DEDO200/DESO100) (AFTER 2/15/02)
NI	G3207970WHBR		DOOR ASSY XWHXBRX (DEDO200/DESO100) (AFTER 2/15/02)
NI	PD020032		SRW-8(A)X3/8PH.WFR HD 7/16DIAXNICL
NI	B1007234		HINGE TRIM REPL B2102963 2 EA

Ref #	Part Number	Qty.	Description
NI	B1007234 B1007913		HINGE TRIM REPL B2102963 2 EA HINGE CLIP (DESIGNER TIME PIECE)