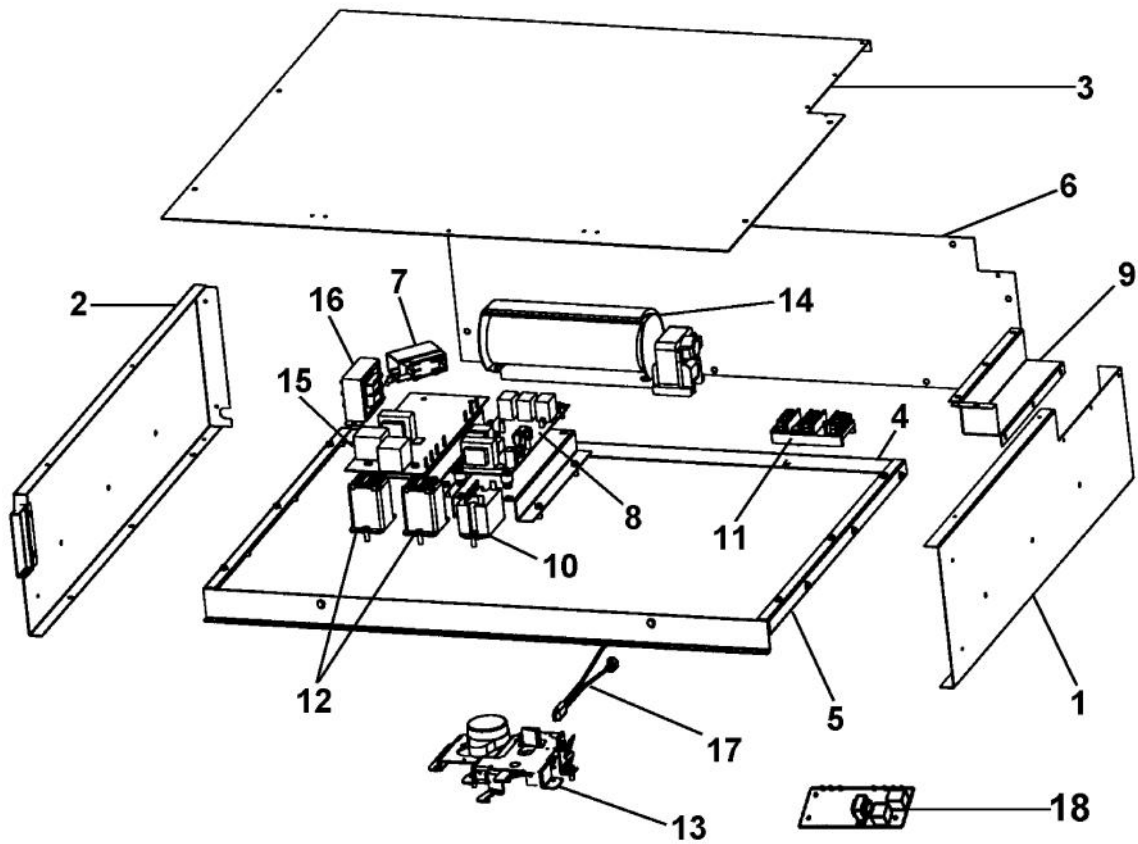
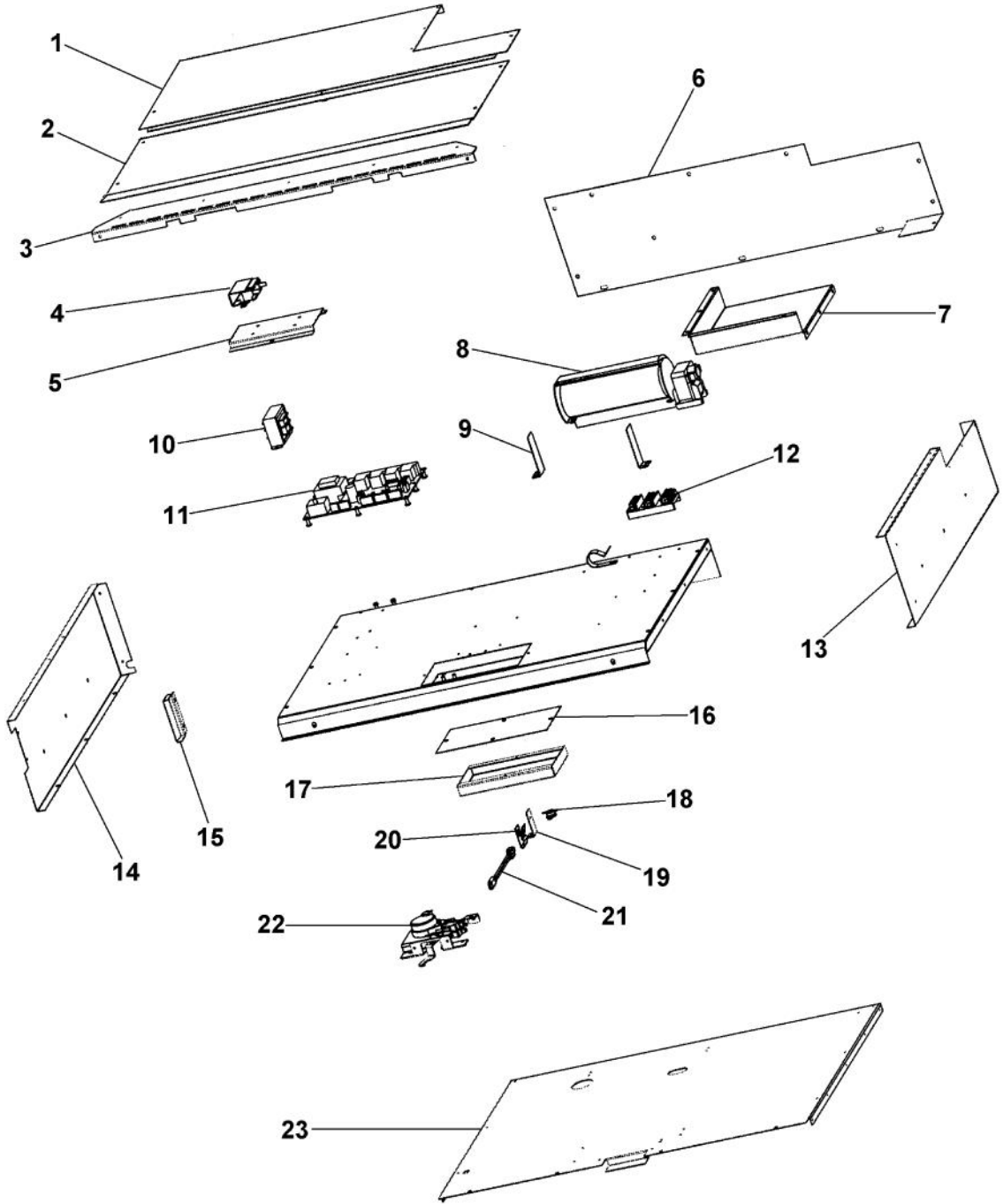


Functional Parts

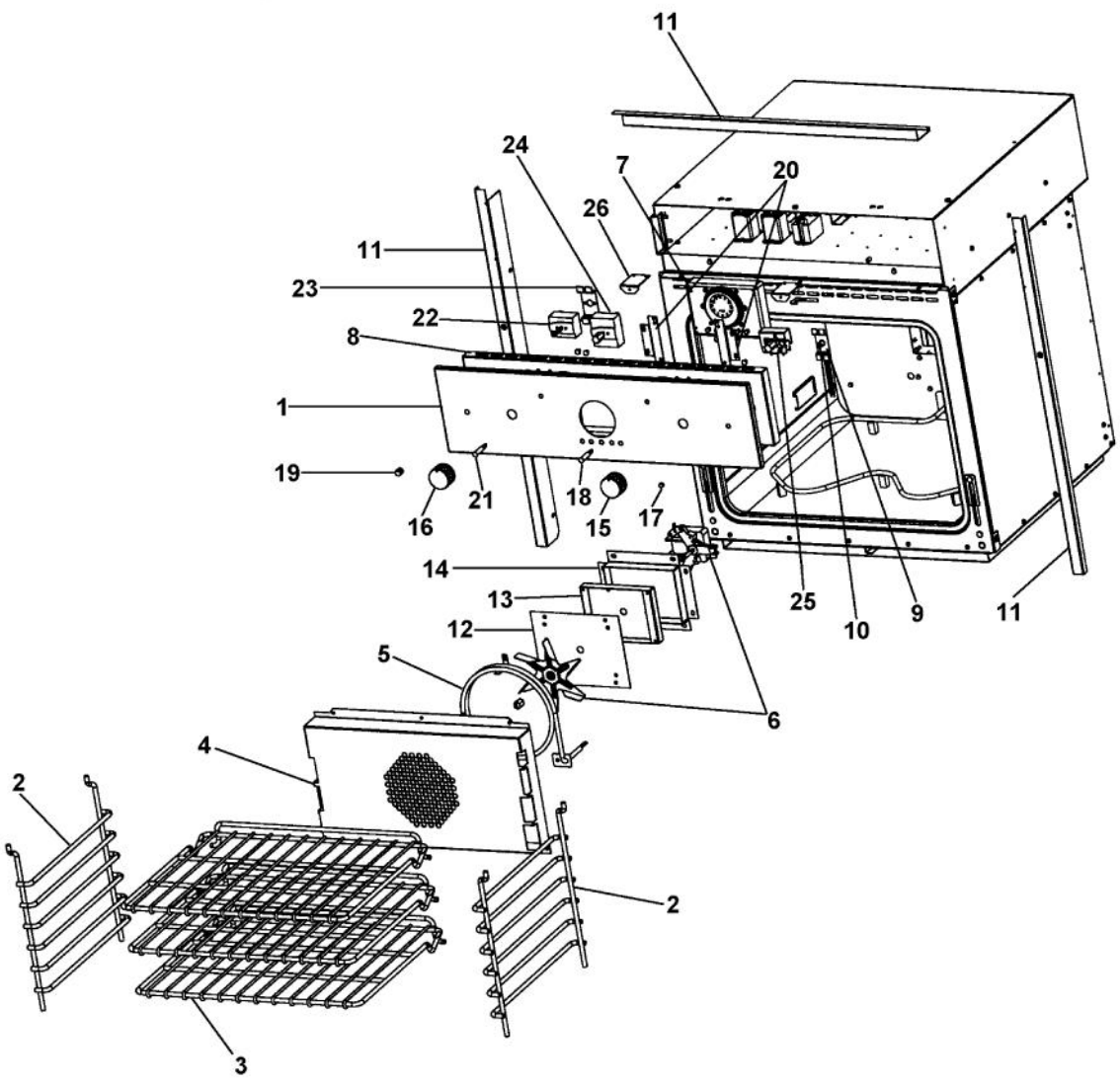
Ref #	Part Number	Qty.	Description
1	PJ030011		SWITCH (2-POSITION) VESO105
2	PJ030001		SELECTOR SWITCH (8-POSITION) VDSC
3	PJ030002		AUTO RESET (SELF-CLEAN) VDSC
4	PJ010004		BAKE ELEMENT (VDSC) 240V
5	PE050087		BLOWER ASSEMBLY - DESIGNER SERIES
6	PE050088		DESIGNER CLOCK
7	G3207273		CONCEALED BROIL ELEMENT ASSY (DEDO)
8	PJ010003		CONVECTION ELEMENT (VDSC) 240V
9	PE050005		CONVECTION FAN ASSY
10	PE050112		DOOR LATCH
11	PJ030006		SWITCH (COOLING FAN)
12	PE050059		HI-LIMIT SWITCH
13	PE050073		DESIGNER INDICATOR LT
14	PE050114		MEAT PROBE (DESO/DEDO) (SWITCHCRAFT'S PART NO. 4...
15	PE050115		MEAT PROBE JACK
16	PE050056		OVEN LIGHT ASSY 12V/5W
17	G4008423		DESIGNER OVEN LIGHT SWITCH ASSY
18	PE070308		PRE-HEAT BOARD
19	PE070319		DESO PREHEAT HARNESS
20	PM010129		RELAY
21	PM010029		RELAY (DOUBLE POLE-DOUBLE THROW)TEM
22	PE070148		SELF-CLEAN BOARD/TIMER (VDSC)
23	PM010014		SMOKE ELIMINATOR (VDSC)
24	PE070147		TERMINAL BLOCK
25	PJ030037		SUB TO PS500033 - SELF CLEAN THERMOSTAT
26	PE070468		TRANSFORMER HALOGEN LIGHTS REPLACES PE070222
27	PE070310		UPPER LATCH HARNESS



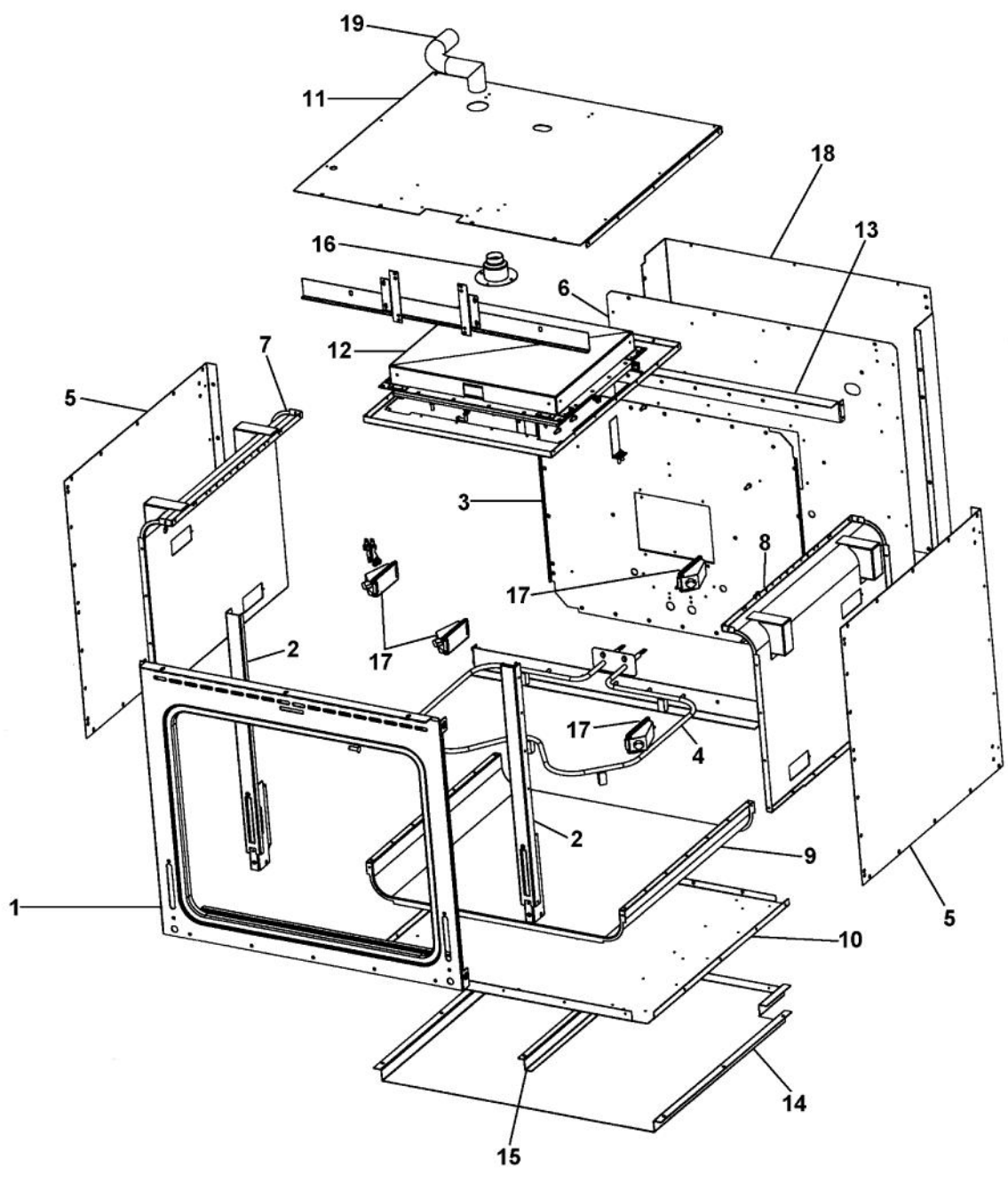
Ref #	Part Number	Qty.	Description
1	A2007906		30`` SINGLE CAB. SIDE RH
2	A2007699		CABINET SIDE LH
3	A2007955		30`` SINGLE CABINET TOP
4	NOT REPLACEABLE		OVEN CAVITY (NOT REPLACEABLE PART)
5	NOT REPLACEABLE		OVEN CAVITY (NOT REPLACEABLE PART)
6	A2007907		30`` SGL. REAR TOP COVER
7	PJ030002		AUTO RESET (SELF-CLEAN) VDSC
8	PE070148		SELF-CLEAN BOARD/TIMER (VDSC)
9	A2002966		TOP CHANNEL (VESO105)
10	PM010129		RELAY
11	PE070147		TERMINAL BLOCK
12	PM010029		RELAY (DOUBLE POLE-DOUBLE THROW)TEM
13	PE050112		DOOR LATCH
14	PE050087		BLOWER ASSEMBLY - DESIGNER SERIES
15	PE070308	1	PRE-HEAT BOARD
NI	PE070319		DESO PREHEAT HARNESS
16	PE070468		TRANSFORMER HALOGEN LIGHTS REPLACES PE070222
17	PE050059		HI-LIMIT SWITCH
18	PE070308		PRE-HEAT BOARD (DUPLICATE OF ITEM 15)



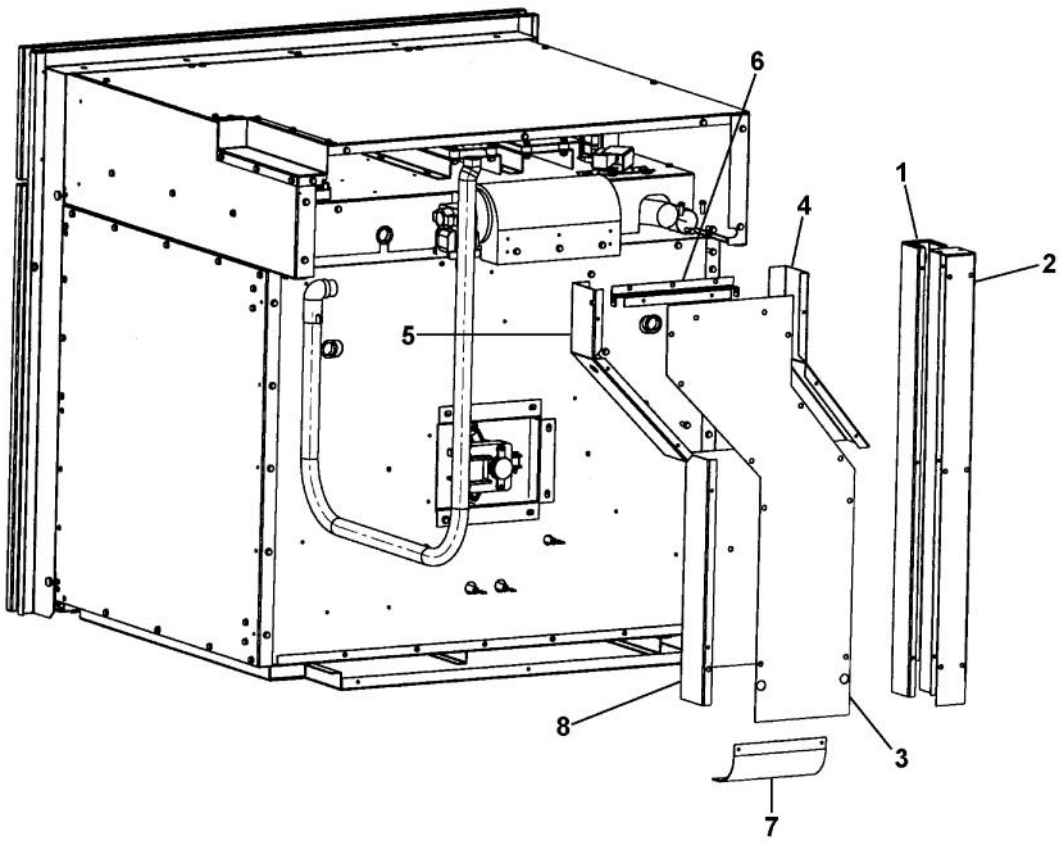
Ref #	Part Number	Qty.	Description
1	A20010562		30 CABINET TOP REAR
2	A20010580		30 CABINET TOP FRONT
3	H9107912		30`` CONTROL MNTG. PANEL ASSY
4	PJ030002		AUTO RESET (SELF-CLEAN) VDSC
5	A2009884		AUTO RESET BRACKET
6	A2008557		30 TOP REAR COVER
7	A2008543		TOP CHANNEL
8	PE050087		BLOWER ASSEMBLY - DESIGNER SERIES
9	A2006183		AIR GUIDE
10	PE070468		TRANSFORMER HALOGEN LIGHTS REPLACES PE070222
11	PE070472		ELECTRONIC CONTROL BOARD
12	PE070147		TERMINAL BLOCK
13	A2007906		30`` SINGLE CAB. SIDE RH
14	A2007699		CABINET SIDE LH
15	A2006109		SELECTOR SWITCH COVER
16	A10010553		LOCK COVER
17	A20010554		LOCK BOX
18	PJ030006		SWITCH (COOLING FAN)
19	A2007276		LIMIT SWITCH BRACKET
20	PD030062		.250 HI-LIMIT SWITCH CLAMP(VGSC306)
21	PE050059		HI-LIMIT SWITCH
22	PE050112		DOOR LATCH
23	A2007269		TOP INSULATION RETAINER 30



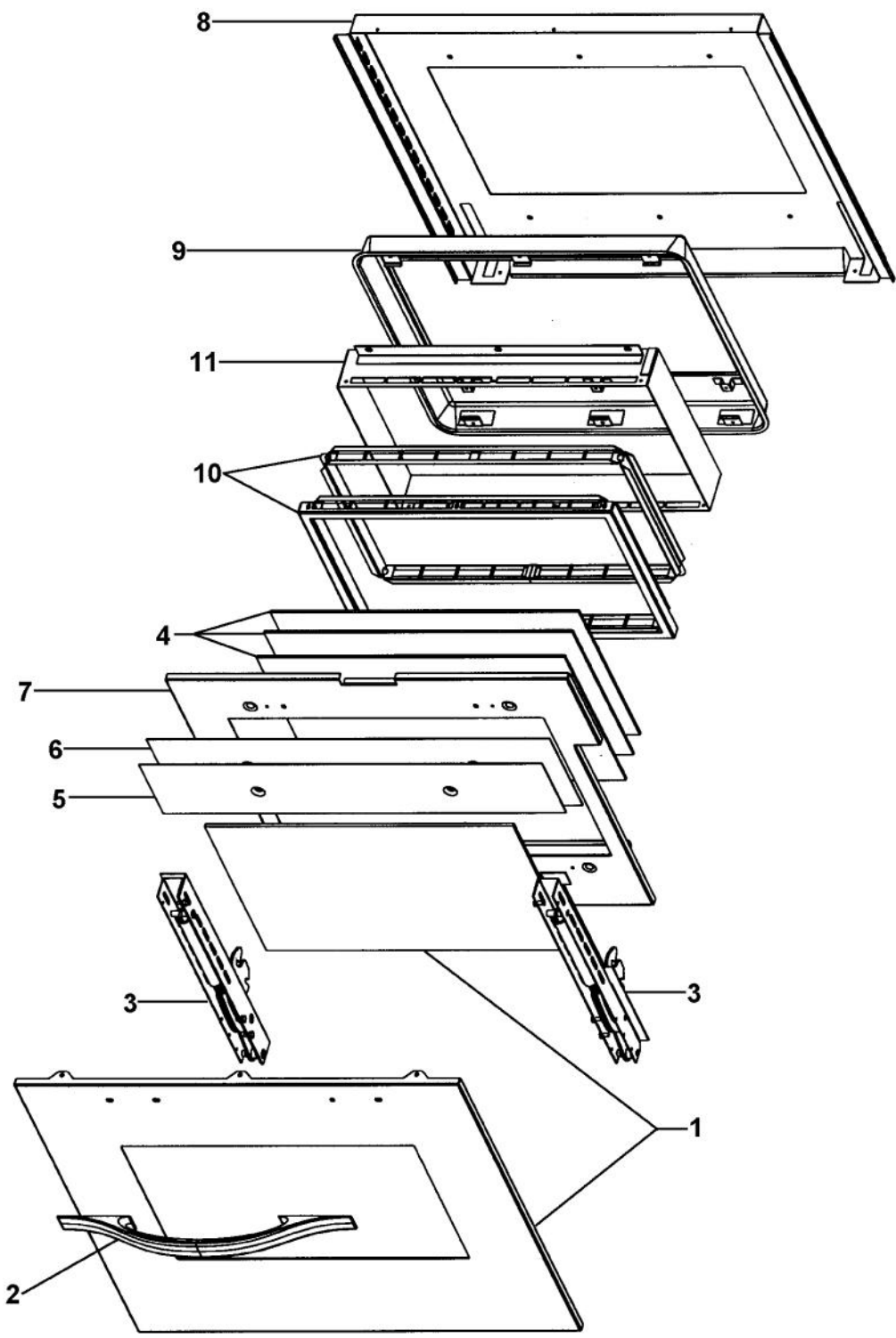
Ref #	Part Number	Qty.	Description
1	B9207251		CONTROL PANEL 30 SGL (DESO105)
	C9207251BK		CTRL PAN DESO105 XBKX SLK. SC.
	C9207251BT		CTRL PAN DESO105 XBTX SLK. SC.
	C9207251GG		CTRL PAN DESO105 XGGXSLK. SC.
	C9207251SG		CTRL PAN DESO105 XSGXSLK. SC.
	C9207251WH		CTRL PAN DESO105 XWHXSLK, SC.
2	PB060030		RACK SUPT REPL PB060010
3	PB060044		OVEN RK VDSC30/48RH REPL PB060019
4	G9104316		CONVECTION FAN ASSY (VESO176/DO276)
5	PJ010003		CONVECTION ELEMENT (VDSC) 240V
6	PE050005		CONVECTION FAN ASSY
7	PE050088		DESIGNER CLOCK
8	H9107912		30`` CONTROL MNTG. PANEL ASSY
9	A2006101		OVEN LIGHT SWITCH BRACKET
10	G4008423		DESIGNER OVEN LIGHT SWITCH ASSY
11	G3007286		DESO100/105 TRIM ASSY
	G9007612BK		SUB TO G90012652BK - DESO100/105 TRIM ASSY XBKX
	G9007612BT		SUB TO G90012652BT - DESO100/105 TRIM ASSY XBTX
	G9007612GG		SUB TO G90012652GG - DESO100/105 TRIM ASSY XGGX
	G9007612SG		SUB TO G90012652SG - DESO100/105 TRIM ASSY XSGX
	G9007612WH		SUB TO G90012652WH - DESO100/105 TRIM ASSY XWHX
12	A1002596		CONVECTION FAN COVER (VDSC)
13	A2002595		CONVECTION FAN BOX (VDSC)
14	A2007457		FAN INSULATION SHIELD
15	PB010196		DESIGNER THERMOSTAT KNOB
	PB010196PVD		DESIGNER THERMOSTAT KNOB W/BRASS
	PB010204		DESIGNER THERMOSTAT KNOB - GRAY
	PB010204PVD		DESIGNER THERMOSTAT KNOB -BR/GRAY
16	PA010091		SELECTOR KNOB - BK
	PA010091PVD		DESIGNER SELECTOR KNOB - BR
	PA010095		DESIGNER SELECTOR KNOB - GRAY
	PA010095PVD		DESIGNER SELECTOR KNOB-BR/GRAY
17	PA010093		DESIGNER OVEN LT SWITCH KNOB
	PA010093PVD		DESIGNER OVEN LT SWITCH KNOB-BRASS
18	PB010221		DESIGNER BIT GEN. KNOB (NEW CLOCK)
	PB010221PVD		DESIGNER BIT GEN. KNOB - BRASS
19	PA010110		DESIGNER OVEN SELECTOR KNOB REPL PA010092
	PA010110PVD		DESIGNER OVEN SELECTOR KNOB-BRASS
20	A2007255		CLOCK MOUNTING BRACKET
21	PE050073		DESIGNER INDICATOR LT
22	PJ030011		SWITCH (2-POSITION) VESO105
23	A2006100		THREE POSITION SELECTOR BRKT
24	PJ030001		SELECTOR SWITCH (8-POSITION) VDSC
25	PJ030003		THERMOSTAT (SELF-CLEAN) VDSC
			(BEFORE 03/08/04)
	PJ030037		SUB TO PS500033 - SELF CLEAN THERMOSTAT
			(AFTER 03/08/04)
26	A2006144		CONTROL MOUNT BRACKET
NI	PE050114		MEAT PROBE (DESO/DEDO) (SWITCHCRAFT'S PART NO. 4...
NI	PE050115		MEAT PROBE JACK
NI	PJ030006		SWITCH (COOLING FAN)
NI	PE070310		UPPER LATCH HARNESS



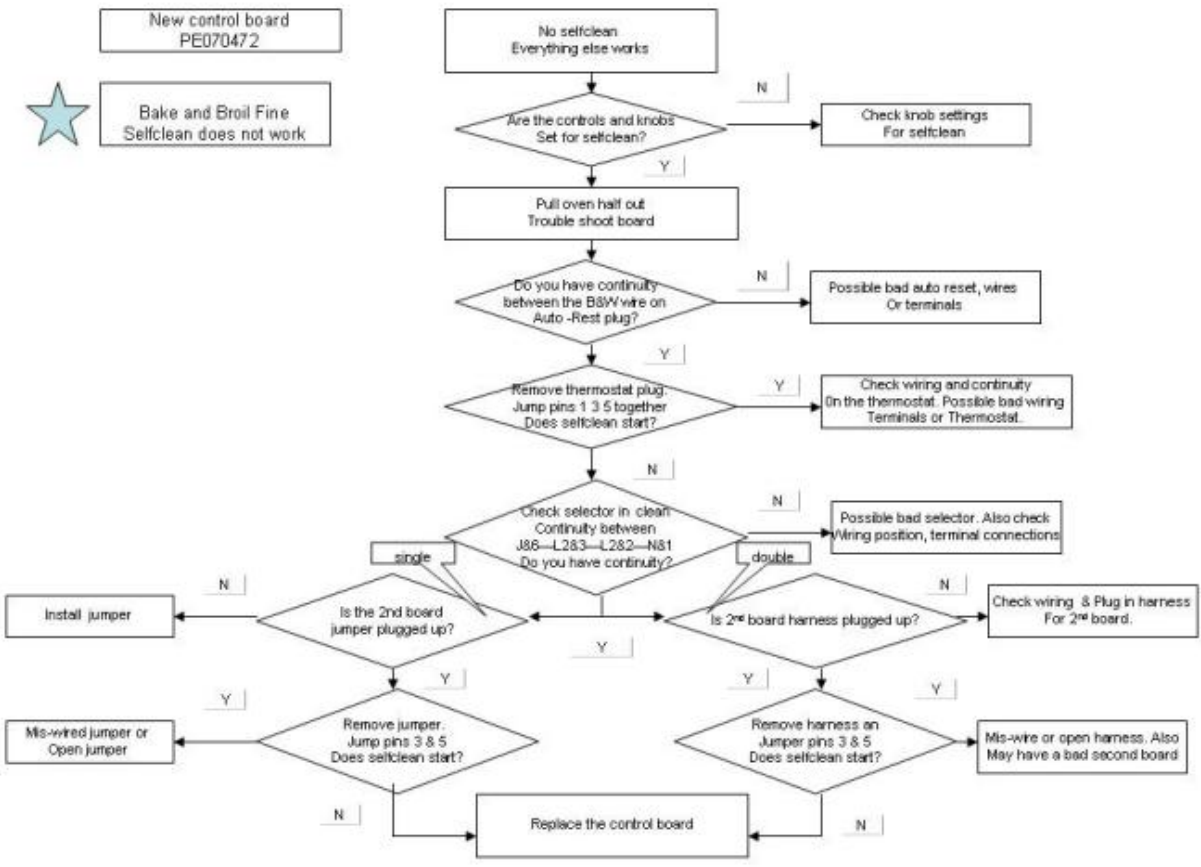
Ref #	Part Number	Qty.	Description
1	H9106118		30 INCH DESIGNER F.F. ASSEMBLY
2	PC020016		HINGE RECEIVER (VEDO/VEDO)
3	E9107264		OVEN BACK 30 (DED0205)
4	PJ010004		BAKE ELEMENT (VDSC) 240V
5	A2002904		SIDE INSULATION RETAINER
6	A1007271		BACK INSULATION RETAINER 30
7	NOT REPLACEABLE		OVEN CAVITY (NOT REPLACEABLE PART)
8	NOT REPLACEABLE		OVEN CAVITY (NOT REPLACEABLE PART)
9	NOT REPLACEABLE		OVEN CAVITY (NOT REPLACEABLE PART)
10	A2002961		BOTTOM INSULATION RETAINER(VEDO/SO)
11	G3007461		30 TOP INSULATION RETAINER ASSY
12	G3207273		CONCEALED BROIL ELEMENT ASSY (DED0)
13	A2002158		REAR OVEN SUPT (VDSC)
14	G3007458		30 VENT BOTTOM WELD ASSY
15	A2007299		BOTTOM VENT BRACE (DESO/DED0)
16	PM010014		SMOKE ELIMINATOR (VDSC)
17	PE050056		OVEN LIGHT ASSY 12V/5W
18	A2006107		LOWER REAR COVER 30 (DED0200)
19	PB020152		OVEN VENT (DESO/DED0)



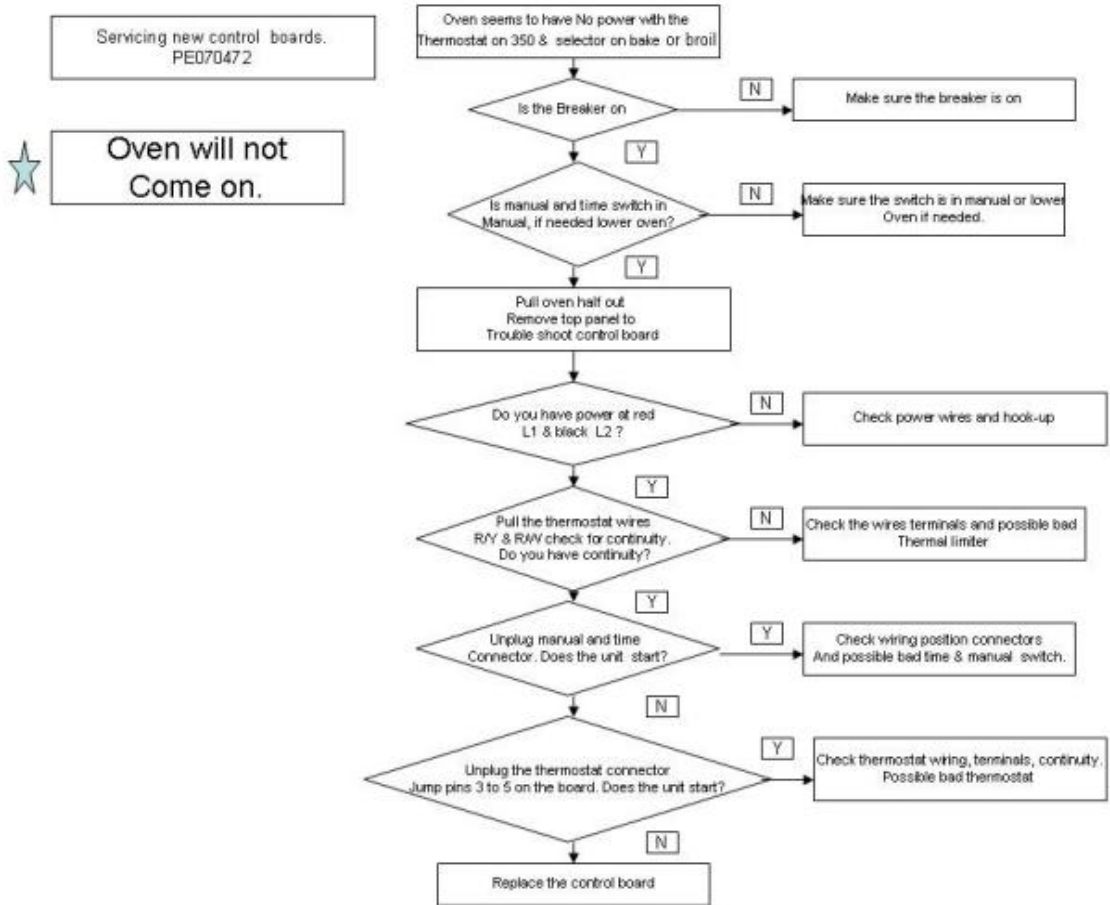
Ref #	Part Number	Qty.	Description
1	A2006188		SINGLE OVEN FLUE
2	A2006189		SINGLE OVEN FLUE COVER
3	A1006190		SINGLE OVEN COVER PLATE
4	A2006324		VENT SIDE LH
5	A2006323		VENT SIDE RH
6	A2006048		FAN MOUNTING BRACKET
7	A2006182		AIR SCOOP
8	A2006326		LOWER AIR VENT SINGLE



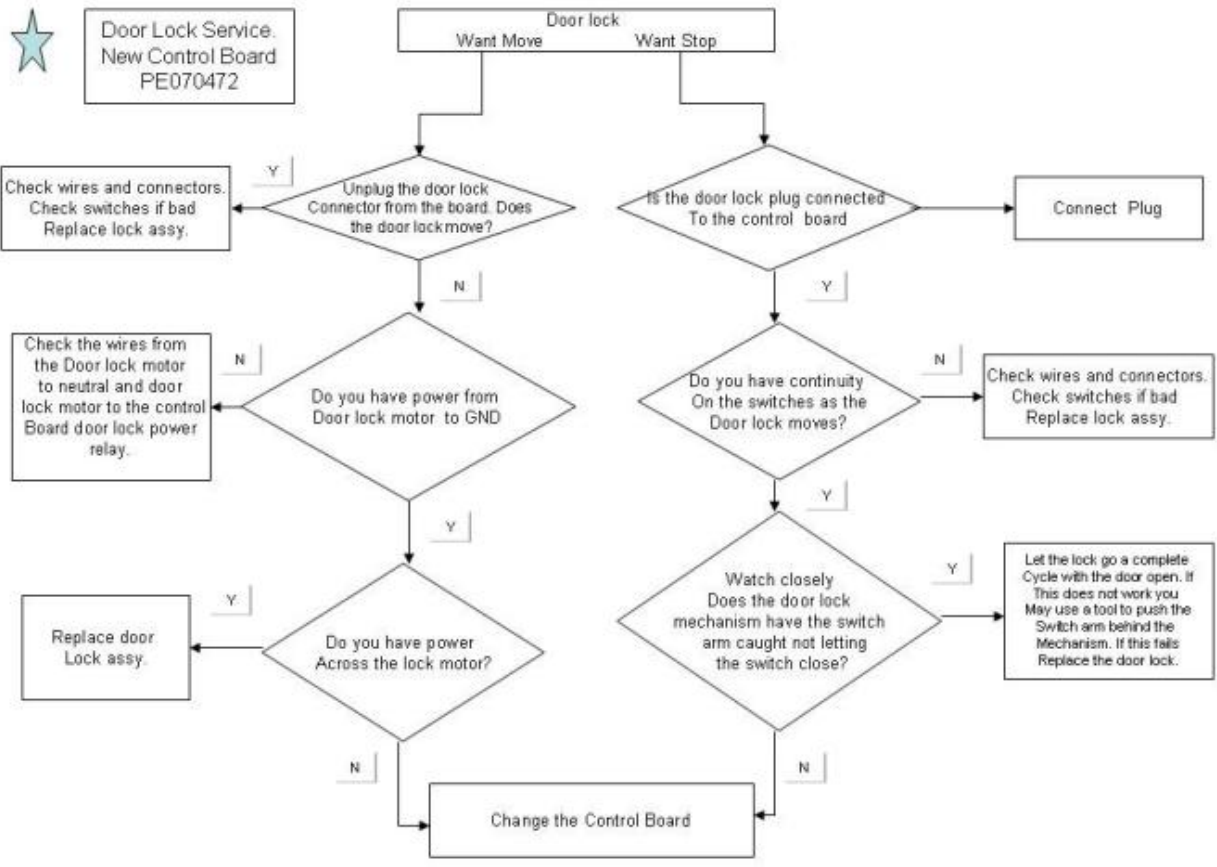
Ref #	Part Number	Qty.	Description
1	G5008293BK		O/S DOOR SKIN ASSEMBLY (DESIGN)
	G5008293BT		O/S DOOR SKIN ASSEMBLY (DESIGN)
	G5008293GG		O/S DOOR SKIN ASSEMBLY (DESIGN)
	G5008293SG		O/S DOOR SKIN ASSEMBLY (DESIGN)
	G5008293SS		O/S DOOR SKIN ASSEMBLY (DESIGN)
	G5008293WH		O/S DOOR SKIN ASSEMBLY (DESIGN)
2	PE030167		30 DOOR HANDLE
	PE030167PVD		30 DOOR HANDLE PVD
3	PC020139		DESIGNER DOOR HINGE (AFTER 2/15/02)
4	PE060057		30 GLASS PACK GLASS H.T.
5	A1006196		OUTER DOOR HEAT SHIELD 30
6	A1006195		INNER DOOR HEAT SHIELD 30
7	A2006016		30 INCH DESIGNER DOOR INSULATION
8	G50010118		DESO100/105/DEDO200/205 DR LINER SVC-KIT
9	G50010118		DESO100/105/DEDO200/205 DR LINER SVC-KIT
10	H3006156		30 INCH GLASS PK FRAME WELD
11	H3006158		30 INCH GLASS PACK FRAME WELD
NI	G3207283BK		DOOR ASSY XBKX (DEDO205/DESO105)
	G3207283BKBR		DOOR ASSY XBKXBRX(DEDO205/DESO105)
	G3207283BT		DOOR ASSY XBTX (DEDO205/DESO105)
	G3207283BTBR		DOOR ASSY XBTXBRX(DEDO205/DESO105)
	G3207283GG		DOOR ASSY XGGX (DEDO205/DESO105)
	G3207283GGBR		DOOR ASSY XGGXBRX(DEDO205/DESO105)
	G3207283SG		DOOR ASSYXSGX (DEDO205/DESO105)
	G3207283SGBR		DOOR ASSY XSGXBRX(DEDO205/DESO105)
	G3207283SS		DOOR ASSY XSSX (DEDO205/DESO105)
	G3207283SSBR		DOOR ASSY XSSXBRX(DEDO205/DESO105)
	G3207283WH		DOOR ASSY XWHX (DEDO205/DESO105)
	G3207283WHBR		DOOR ASSY XWHXBRX(DEDO205/DESO105)
NI	PB070041		SUB TO 000623-000 - DOOR GASKET(3/8DIA.) (VDSC)
NI	B1007913		HINGE CLIP (DESIGNER TIME PIECE)
NI	PB070094		1/4 FIBERGLASS ROPE
NI	PB070093		BOARD INSULATION 30
NI	PD020032		SRW-8(A)X3/8PH.WFR HD 7/16DIAXN1CL



Ref #	Part Number	Qty.	Description
-------	-------------	------	-------------



Ref #	Part Number	Qty.	Description
-------	-------------	------	-------------



Ref #	Part Number	Qty.	Description
-------	-------------	------	-------------
