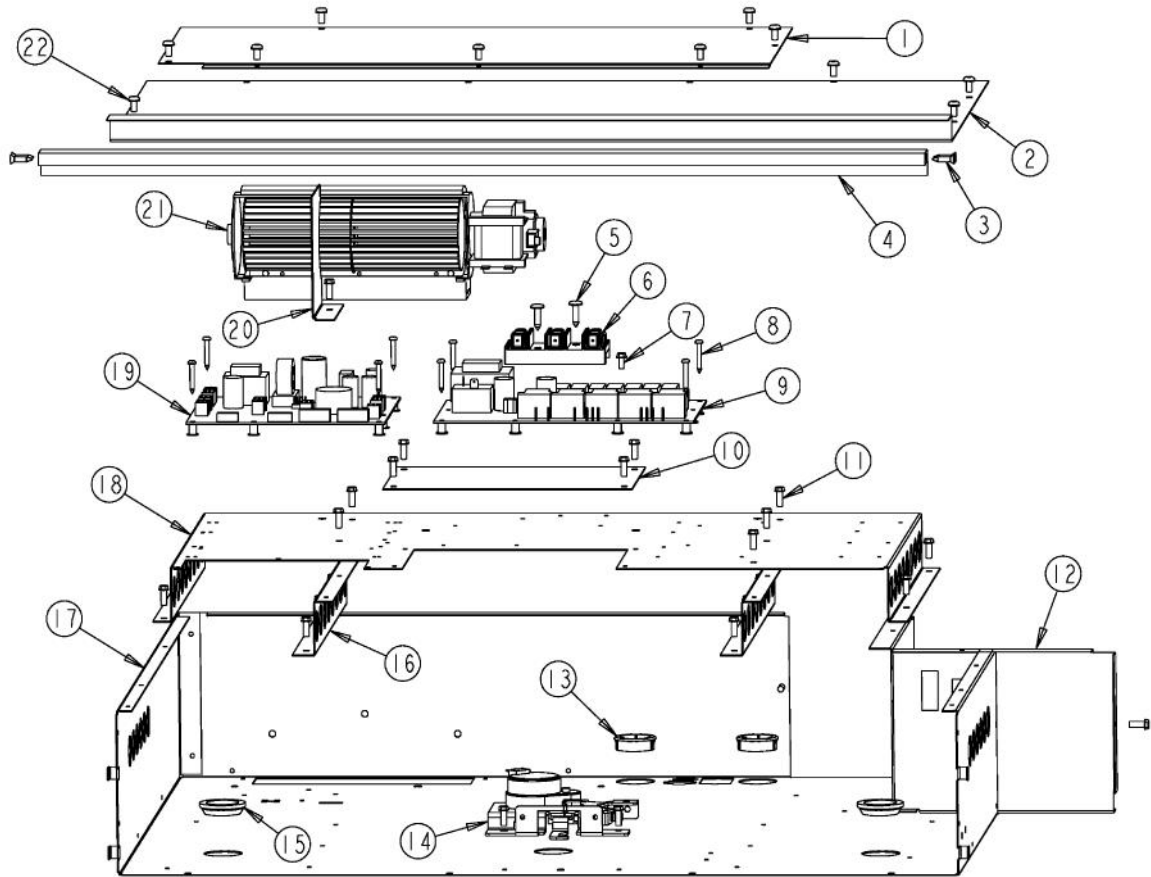
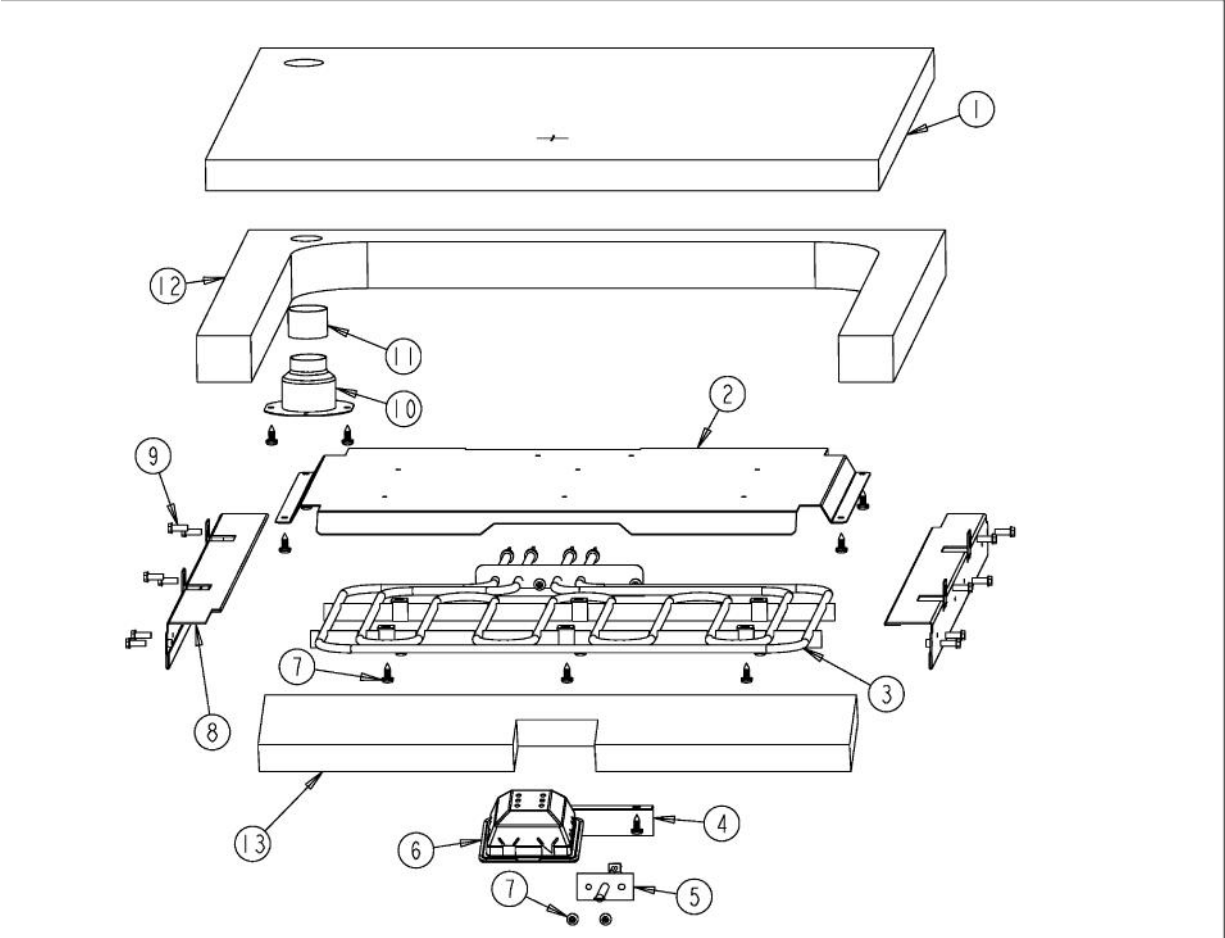


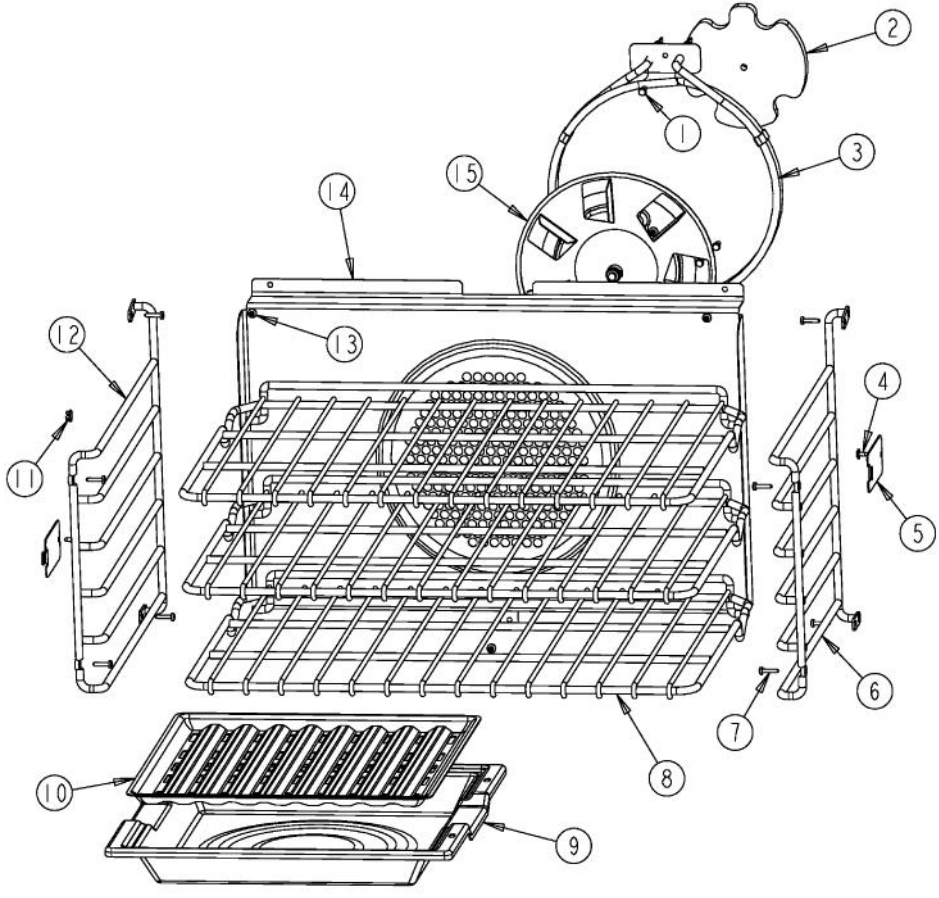
Ref #	Part Number	Qty.	Description
1	A10014028		2 CAPACITOR BRACKET
2	PE050247		EBM FAN MOTOR CAPACITOR
3	PD040164		5/16 INTERNAL TOOTH LOCK WASHER TYPE A
4	PD030172		M8 X 1.25MM NUT
5	A20014024		30 TOUCH CONTROL MTG. PANEL
6	PD020004		10X3/8PH.HD.TYPE 25 REPL PD040125
7	A20012649		DOOR SWITCH BRACKET
8	PE050208		DOOR SWITCH
9	PD040004		GROMMET BUMPER
10	C90014072BK		30 INLET GRILL
11	PS500024BK		30 SELECT TOUCH SINGLE CONTROL PANEL ASSIMBLY - BK
11	PS500024BT		30 SELECT TOUCH SINGLE CONTROL PANEL ASSIMBLY - BT
11	PS500024GG		30 SELECT TOUCH SINGLE CONTROL PANEL ASSIMBLY - G...
11	PS500024SG		30 SELECT TOUCH SINGLE CONTROL PANEL ASSIMBLY - SG
11	PS500024SS		30 SELECT TOUCH SINGLE CONTROL PANEL ASSIMBLY - SS
11	PS500024WH		30 SELECT TOUCH SINGLE CONTROL PANEL ASSIMBLY - ...
12	PD020060		10 X 1/2 (5/16)HEX WSHR HD.(T)A
13	PJ030043		BI-METAL THERMOSTAT (N.C.) 180 DEGREES
14	PD020013		TYPE AB NO.6 X 3/8 PH PAN HD. SMS



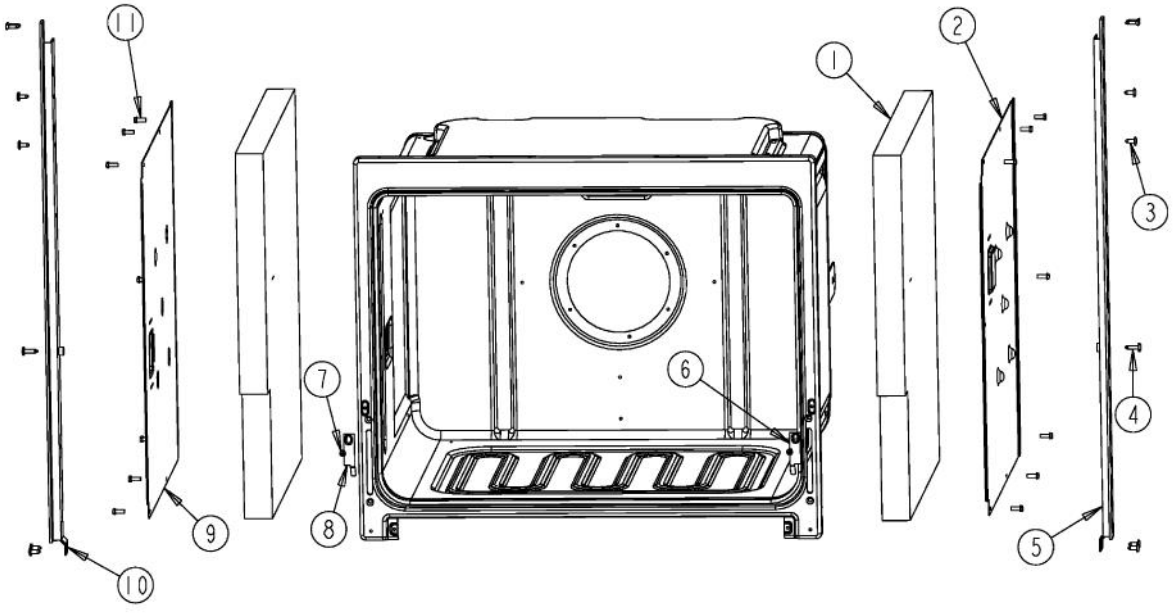
Ref #	Part Number	Qty.	Description
1	A20014049		30 REAR COVER
2	A20014048		30 FRONT COVER
3	PD020061		NO.8 X 3/4 FLAT HD TEK. SS.
4	PE040280		30 DES. TOP TRIM
5	PD020014		10X3/4 PH TR HD SMS
6	PE070147		TERMINAL BLOCK
7	PD020010		10 X 3/8 GREEN GROUNDING SCREW
8	PD020185		NO.6 X 1 PAN HEAD SCREW
9	PE050234		RELAY BOARD
10	A10010911		COVER, LATCH
11	PD020060		10 X 1/2 (5/16)HEX WSHR HD.(T)A
12	A20010934		BRACKET, MODULE PAN
13	PD040152		SNAP BUSHING
14	PE050210		DOOR LATCH
15	PB070079		SILICONE EXTRUSION (DGSU)
16	A20010910		BRACKET, SUPPORT, ELECTRONICS HAT
17	A2009643		MODULE PAN, TOP 30
18	A2009672		ELECTRONICS HAT
19	PE050233		CONTROL BOARD
20	A2009667		REAR AIR DIVIDER
21	PE050250		PREMIUM BLOWER WITH HES
22	PD020004		10X3/8PH.HD.TYPE 25 REPL PD040125



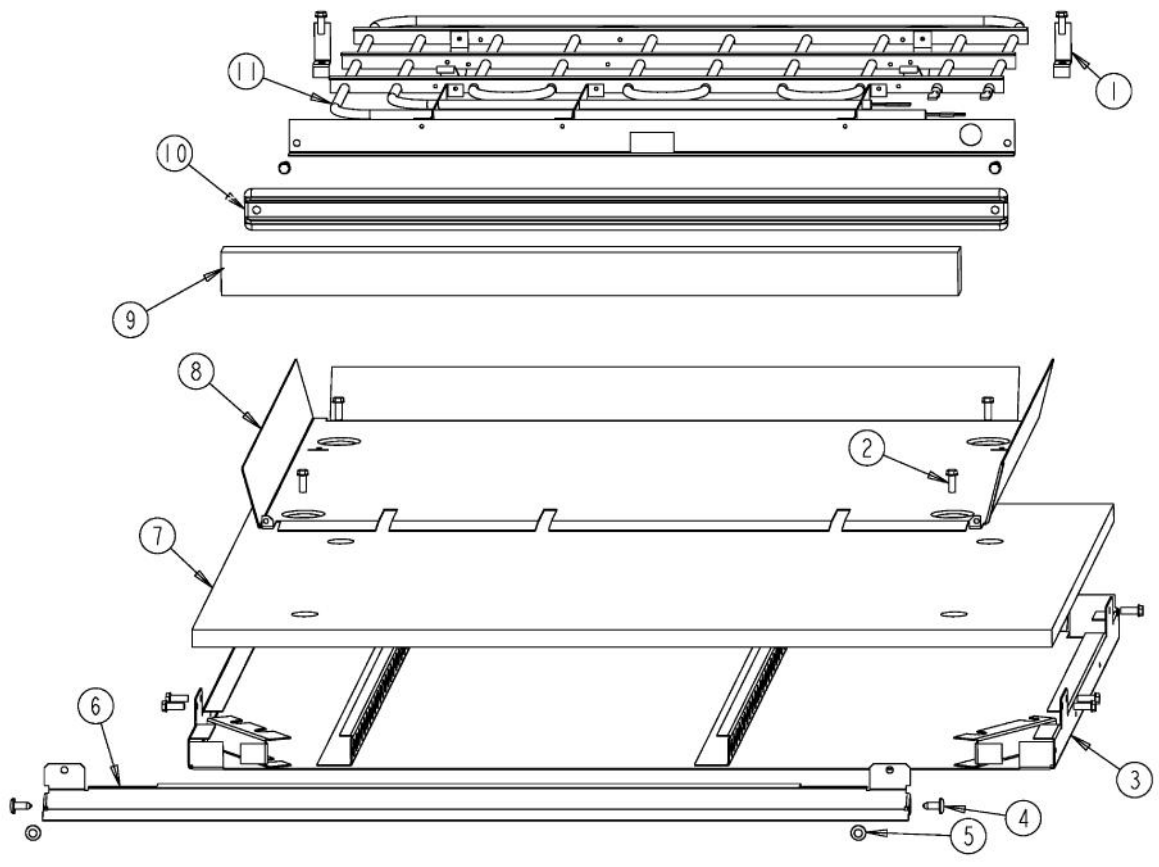
Ref #	Part Number	Qty.	Description
1	PB070308		30 TOP INSULATION
2	A20014021		REFLECTOR, BROIL
3	PJ010049		BROIL ELEMENT
4	A20014044		BROIL ELEMENT SHIELD
5	PE050206		RTD THERMOSTAT PROBE
6	PE050239		HALOGEN LAMP
7	PD020055		NO.10 X 1/2 PAN PHIL. TEK. SS
8	A2009641		BRKT, TOP WRAPPER
9	PD020060		10 X 1/2 (5/16)HEX WSHER HD.(T)A
10	PM010014		SMOKE ELIMINATOR (VDSC)
11	PB020275		VENT TUBE
12	PB070305		30 TOP BROIL INSULATION
13	PB070337		LINER FRONT INSULATION



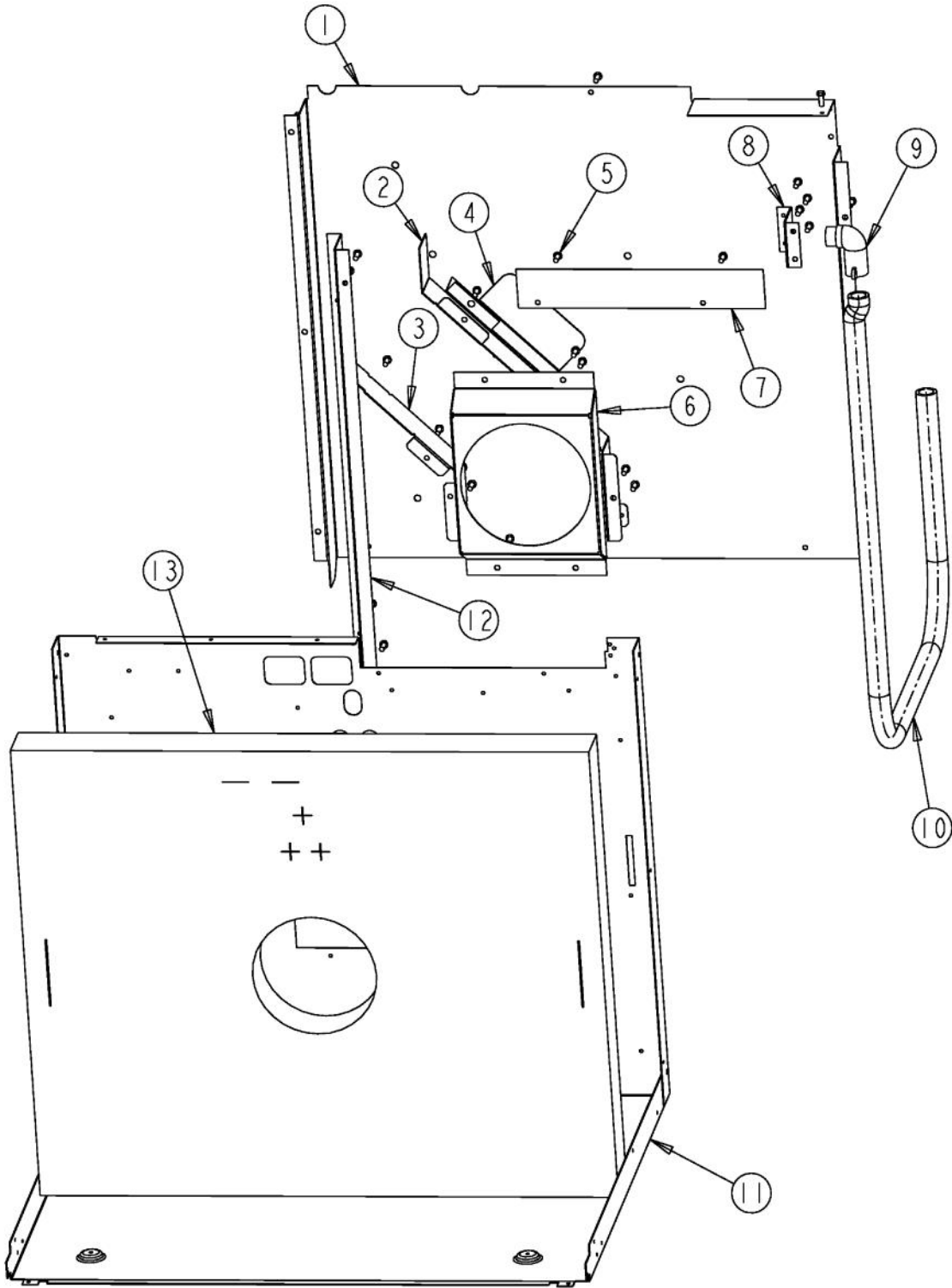
Ref #	Part Number	Qty.	Description
1	PD020060		10 X 1/2 (5/16)HEX WSHR HD.(T)A
2	PB070312		CONVECTION MOTOR MTG. PLATE INSULATION
3	PJ010047		CONVECTION ELEMENT
4	PD020063		SCREW-NO.8(A) X 3/8PH WFR HD/BK OXID
5	E91012614		LIGHT HOLE COVER
6	PB060103		RACK SUPPORT RH
7	PD020232		NO.8 X 3/4 PH PAN HEAD TEK SCREW (BLACK OXIDE)
8	PB060107		30 OVEN RACK
9	E9107933		BROILER PAN
10	E9107934		BROILER PAN INSERT
11	E91014053		PORCELAIN 25/64 HOLE PLUG
12	PB060104		RACK SUPPORT LH
13	PD020055		NO.10 X 1/2 PAN PHIL. TEK. SS
14	G91013598		30 BAFFLE ASSEMBLY
15	G32014020		CONVECTION FAN ASSY



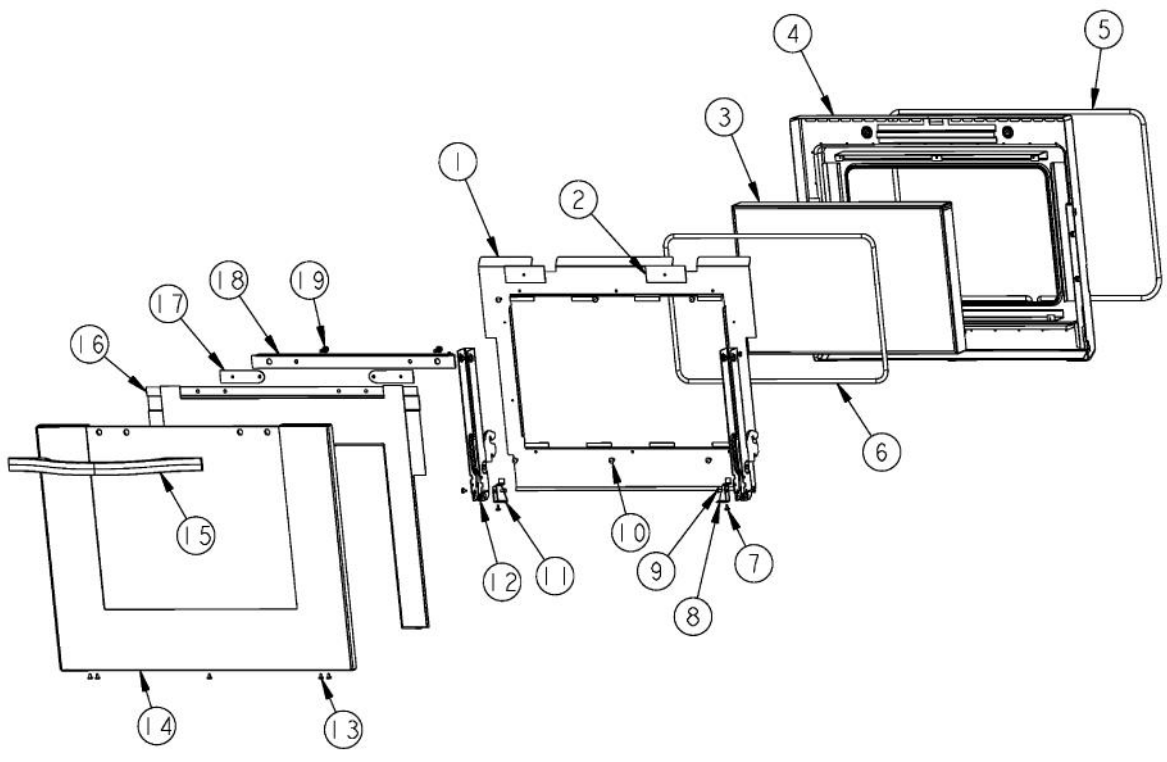
Ref #	Part Number	Qty.	Description
1	PB070302		SIDE INSULATION
2	A2009622		BRKT, TOP WRAPPER, RIGHT
3	PD020002		10 X 1/2 PH.TR.HD.SMS.
4	PD020014		10X3/4 PH TR HD SMS
5	PE040281		DES. SINGLE SIDE TRIM RH
6	B21010915		HINGE CLIP ? RH
7	PD020061		NO.8 X 3/4 FLAT HD TEK. SS.
8	B21010916		HINGE CLIP ? LH
9	A20012650		BRKT, TOP WRAPPER LEFT
10	PE040282		DES. SINGLE SIDE TRIM LH
11	PD020060		10 X 1/2 (5/16)HEX WSHER HD.(T)A



Ref #	Part Number	Qty.	Description
1	A2009696		HOLDER, BAKE ELEMENT
2	PD020060		10 X 1/2 (5/16)HEX WSHER HD.(T)A
3	G3009694		BASE MODULE ASSY 30
4	PD020002		10 X 1/2 PH.TR.HD.SMS.
5	PD020063		SCREW-NO.8(A) X 3/8PH WFR HD/BK OXID
6	C9009676BK		BOTTOM AIR DEFLECTOR 30
7	PB070303		30 BOTTOM INSULATION
8	A2009612		ELEMENT, MTG TRAY
9	PB070309		BAKE ELEMENT INSULATION
10	E9109655		BAKE TRAY COVER
11	PJ010048		BAKE ELEMENT



Ref #	Part Number	Qty.	Description
1	A2009640		PANEL, REAR 30
2	A21010918		BRACKET, AIR, CONVECTION MOTOR
3	A21010919		BRACKET, AIR, CONVECTION MOTOR
4	A20014052		WIRE SHIELD
5	PD020060		10 X 1/2 (5/16)HEX WSHER HD.(T)A
6	A2009697		BRACKET, CONVECTION INSULATION
7	A10010907		COVER, BLOWER
8	A2009671		BRACKET, POWER CABLE
9	PB040070		CONDUIT FITTING (90 DEG)
10	PB020071		CONDUIT - FLEXIBLE (48)
11	A2009620		BASE, BACK WRAPPER
12	A2009666		AIR CHANNEL
13	PB070304		30 BACK INSULATION



Ref #	Part Number	Qty.	Description
1	A2009632		PANEL, INULATION, INNER DOOR
2	PB070336		DOOR BRACKET INSULATION
3	PE060094		30 WINDOW PACK
4	G9109625		DOOR LINER PORC.
5	PB070246		30 DOOR GASKET
6	000594-000		BLACK FIBERGLASS ROPE 3/8
7	PD020063		SCREW-NO.8(A) X 3/8PH WFR HD/BK OXID
8	A20012640		HINGE SUPPORT RH
9	PD020004		10X3/8PH.HD.TYPE 25 REPL PD040125
10	PD020002		10 X 1/2 PH.TR.HD.SMS.
11	A20012641		HINGE SUPPORT LH
12	PC020220		SUB TO 006070-000 - DOOR HINGE MANSFIELD 30
13	PD020032		SRW-8(A)X3/8PH.WFR HD 7/16DIAXNICL
14	001451-002		30 DES DOOR SKIN KIT W/LOGO - BK
14	001451-003		30 DES DOOR SKIN KIT W/LOGO - BT
14	001451-005		30 DES DOOR SKIN KIT W/LOGO - GG
14	001451-004		30 DES DOOR SKIN KIT W/LOGO - SG
14	001451-000		30 DES DOOR SKIN KIT W/LOGO - SS
14	001451-006		30 DES DOOR SKIN KIT W/LOGO - WH
15	PE030167		30 DOOR HANDLE
15	PE030167PVD		30 DOOR HANDLE PVD
16	001497-000		DESIGNER 30` INSULATION RETAINER KIT
17	PC050002		DESIGNER DOOR HANDLE SPACER
18	PE040285		DESIGNER DOOR TRIM
19	PD020186		1/4-20 X 3/4 HEX WASHER HEAD MS
NI	G32012750BK		30 DOOR ASSY W/LOGO XBKX
NI	G32012750BKBR		30 DOOR ASSY W/LOGO XBKBRX
NI	G32012750BT		30 DOOR ASSY W/LOGO XBTX
NI	G32012750BTBR		30 DOOR ASSY W/LOGO XBTBRX
NI	G32012750GG		30 DOOR ASSY W/LOGO XGGX
NI	G32012750GGBR		30 DOOR ASSY W/LOGO XGGBRX
NI	G32012750SG		30 DOOR ASSY W/LOGO XSGX
NI	G32012750SGBR		30 DOOR ASSY W/LOGO XSGBRX
NI	G32012750SS		30 DOOR ASSY W/LOGO
NI	G32012750SSBR		30 DOOR ASSY W/LOGO XSSBRX
NI	G32012750WH		30 DOOR ASSY W/LOGO XWHX
NI	G32012750WHBR		COMPLETE DOOR ASSEMBLY - WHBR
NI	017736-000		WINDOW PACK INSULATION KIT

*No Image
Available*

Ref #	Part Number	Qty.	Description
1	PE070845	1	TOUCH CONTROL KEYBOARD HARNESS
2	PE070846	1	TOUCH CONTROL DISPLAY HARNESS