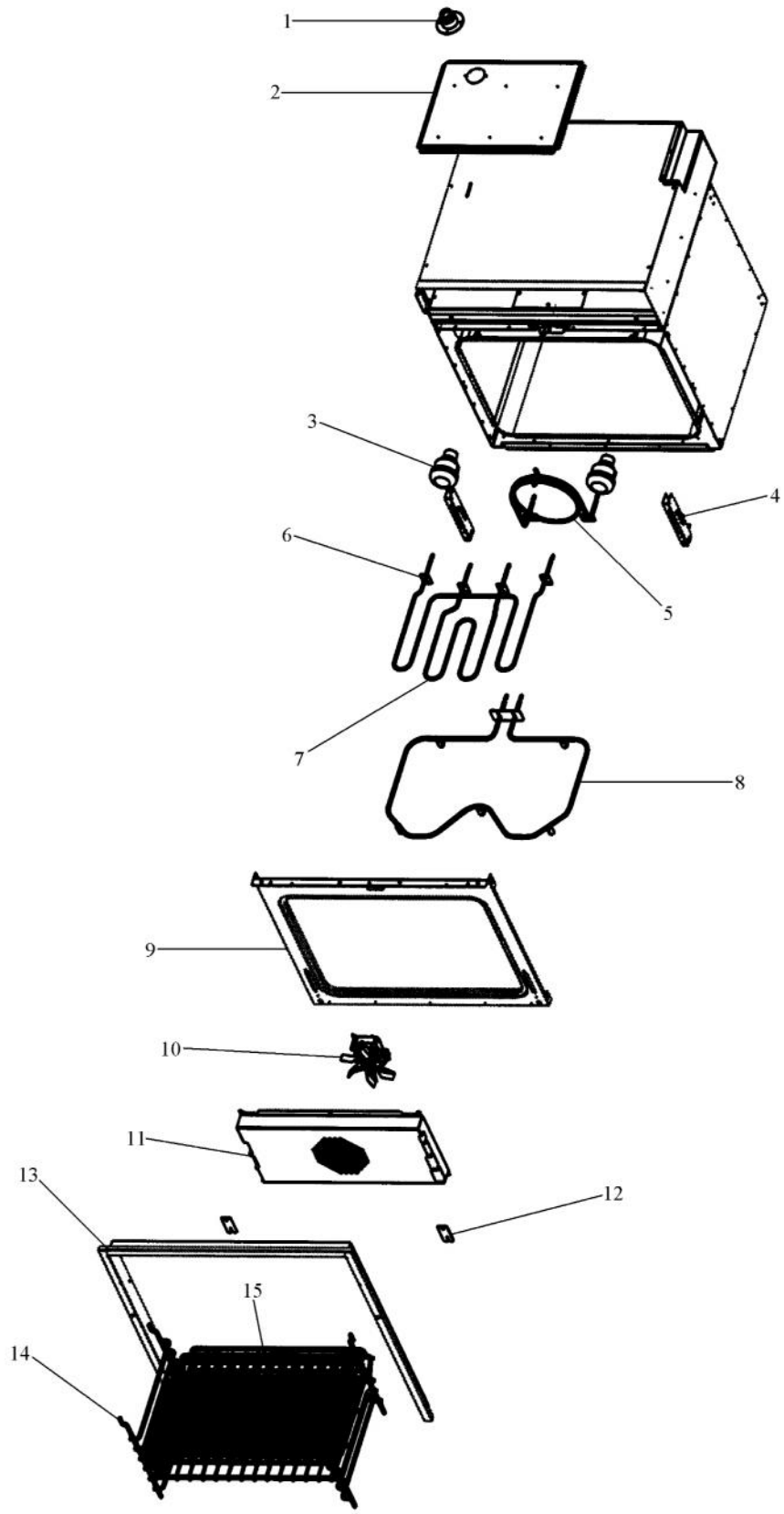
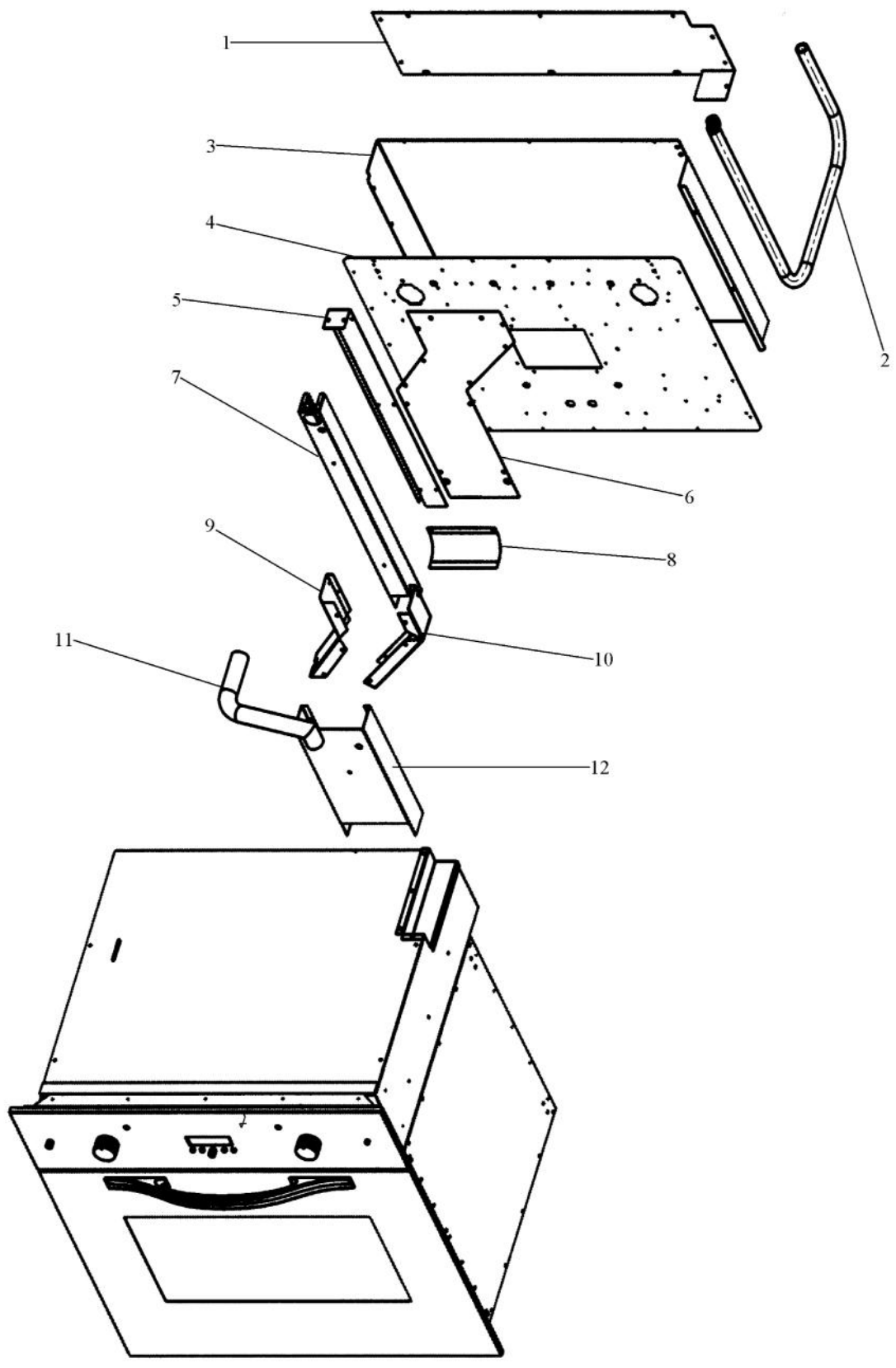


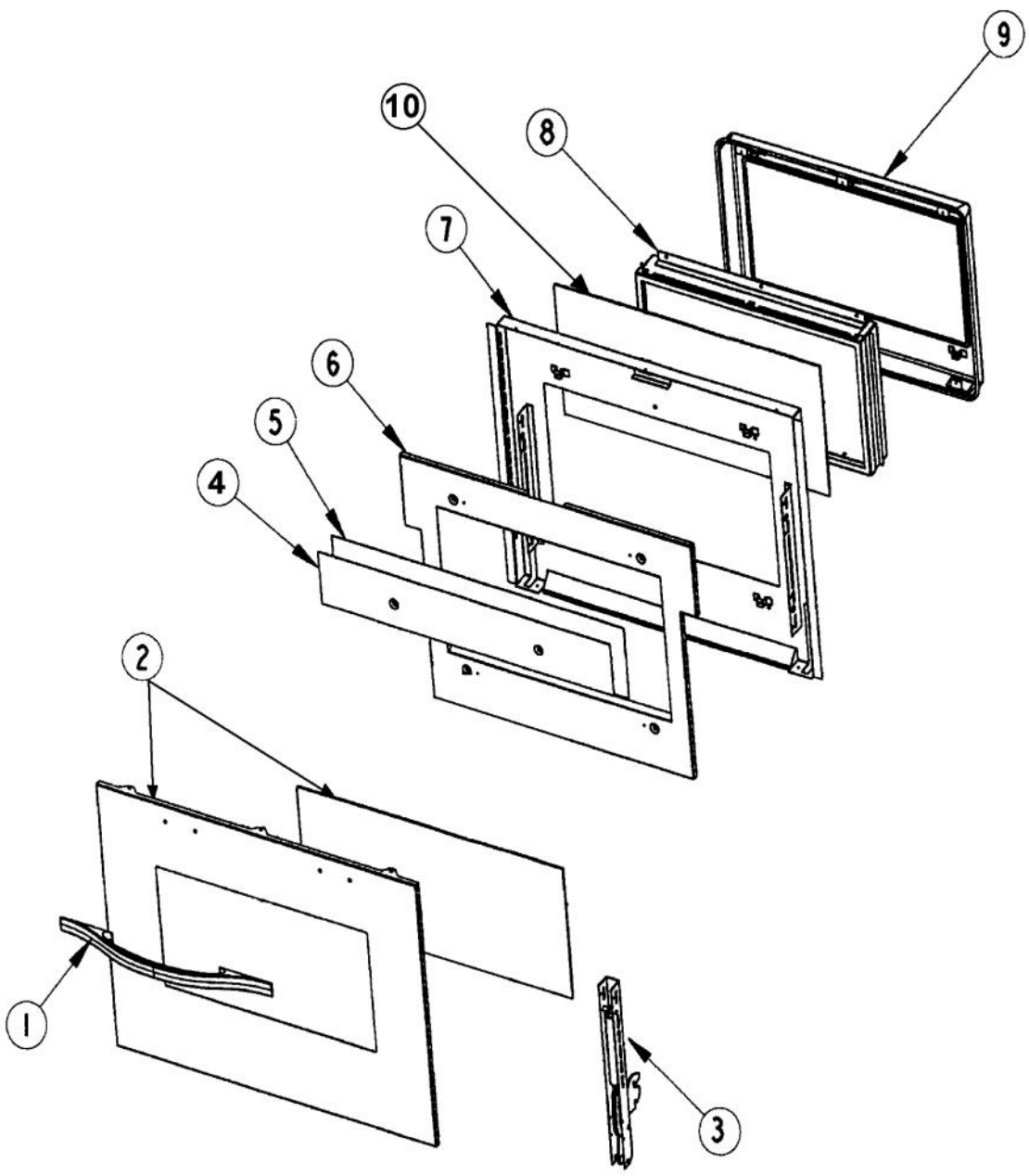
Ref #	Part Number	Qty.	Description
1	PA010110		DESIGNER OVEN SELECTOR KNOB REPL PA010092
	PA010110PVD		DESIGNER OVEN SELECTOR KNOB-BRASS
2	PA010091		SELECTOR KNOB - BK
	PA010095		DESIGNER SELECTOR KNOB - GRAY
	PA010091PVD		DESIGNER SELECTOR KNOB - BR
	PA010095PVD		DESIGNER SELECTOR KNOB-BR/GRAY
3	PE050073		DESIGNER INDICATOR LT
4	PB010269		CLOCK BUTTON
5	PB010222		DESIGNER BIT GENERATOR KNOB
	PB010222PVD		DESIGNER BIT GENERATOR KNOB-BRASS
6	PB010196		DESIGNER THERMOSTAT KNOB
	PB010204		DESIGNER THERMOSTAT KNOB - GRAY
	PB010196PVD		DESIGNER THERMOSTAT KNOB W/BRASS
	PB010204PVD		DESIGNER THERMOSTAT KNOB -BR/GRAY
7	PA010093		DESIGNER OVEN LT SWITCH KNOB
	PA010093PVD		DESIGNER OVEN LT SWITCH KNOB-BRASS
8	B92010127		CONTROL PANEL 27 SGL
	C92010127BK		CTRL PANEL 27 SGL XBKX SLK. SC.
	C92010127WH		CTRL PANEL 27 SGL XWHX SLK. SC.
9	H91010133		CONTROL MOUNTING PANEL ASSY 27
10	PJ030011		SWITCH (2-POSITION) VESO105
11	PJ030001		SELECTOR SWITCH (8-POSITION) VDSC
12	A2006100		THREE POSITION SELECTOR BRKT
13	PE050130		CLOCK
14	A20010135		CLOCK MOUNTING BRACKET
15	PJ030037		SUB TO PS500033 - SELF CLEAN THERMOSTAT
16	PE050076		DESIGNER OVEN LIGHT SWITCH
17	PE050112		DOOR LATCH
18	PE050059		HI-LIMIT SWITCH
19	PJ030006		SWITCH (COOLING FAN)
20	A2007699		CABINET SIDE LH
21	A2007698		CABINET SIDE RH
22	PE070472		ELECTRONIC CONTROL BOARD
23	PE070147		TERMINAL BLOCK
24	A2002966		TOP CHANNEL (VESO105)
25	PE050087		BLOWER ASSEMBLY - DESIGNER SERIES
26	PB040070		CONDUIT FITTING (90 DEG)
27	A2007957		27`` CABINET TOP
28	A2007907		30`` SGL. REAR TOP COVER
29	A2006048		FAN MOUNTING BRACKET
30	PJ030002		AUTO RESET (SELF-CLEAN) VDSC
31	A2009884		AUTO RESET BRACKET



Ref #	Part Number	Qty.	Description
1	PM010014		SMOKE ELIMINATOR (VDSC)
2	B2004311		BROILER TOP (27) (VESO176/DO276)
3	PE050009		OVEN LIGHT SOCKET - 36 BUILT-IN
4	PC020139		DESIGNER DOOR HINGE (AFTER 2/15/02)
5	PJ010003		CONVECTION ELEMENT (VDSC) 240V
6	PJ010011		OUTSIDE BROIL ELEMENT (27 OVEN)240
7	PJ010001		BROIL ELEMENT 240V
8	PJ010012		BAKE ELEMENT (VESO176/VEDO276)240V
9	H9106146		27 INCH DESIGNER F.F. ASSEMBLY
10	PE050005		CONVECTION FAN ASSY
11	E9104309		CONVECTION FAN COVER
12	B1007913		HINGE CLIP (DESIGNER TIME PIECE)
13	G30010585		SINGLE DESIGNER TRIM ASSY 27
	G90012653BK		SINGLE DESIGNER TRIM ASSY 27 XBKX
	G90012653BT		SINGLE DESIGNER TRIM ASSY 27 XBTX
	G90012653GG		SINGLE DESIGNER TRIM ASSY 27 XGGX
	G90012653SG		SINGLE DESIGNER TRIM ASSY 27 XSGX
	G90012653WH		SINGLE DESIGNER TRIM ASSY 27 XWHX
14	PB060030		RACK SUPT REPL PB060010
15	PB060048		OVEN RACK - 27

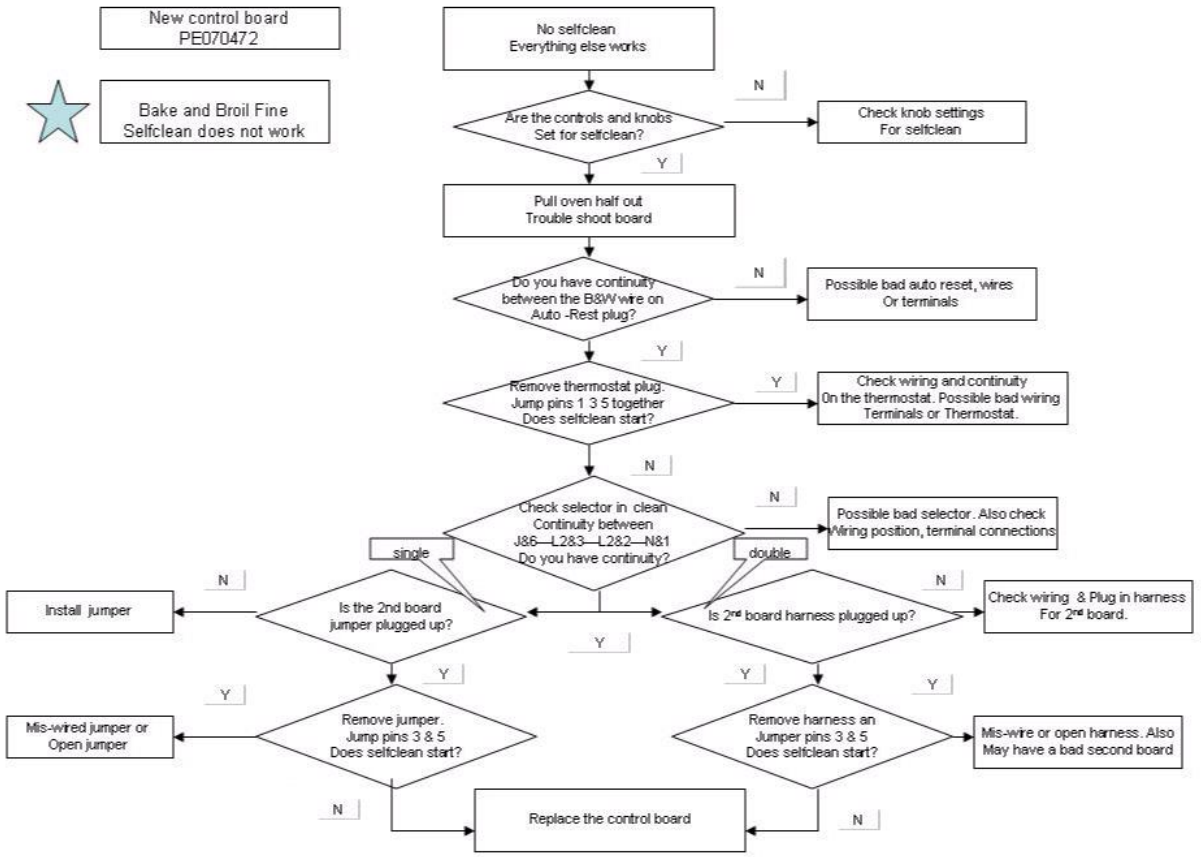


Ref #	Part Number	Qty.	Description
1	A2007905		27`` TOP REAR COVER
2	PB020071		CONDUIT - FLEXIBLE (48)
3	A2007877		27 UPPER OUTER BACK
4	A1004305		BACK INSULATION RETAINER(27OVEN)
5	A2006189		SINGLE OVEN FLUE COVER
6	A1006190		SINGLE OVEN COVER PLATE
7	A2006188		SINGLE OVEN FLUE
8	A2006182		AIR SCOOP
9	A2006324		VENT SIDE LH
10	A2006323		VENT SIDE RH
11	PB020117		DESIGNER OVEN VENT
12	A2006326		LOWER AIR VENT SINGLE



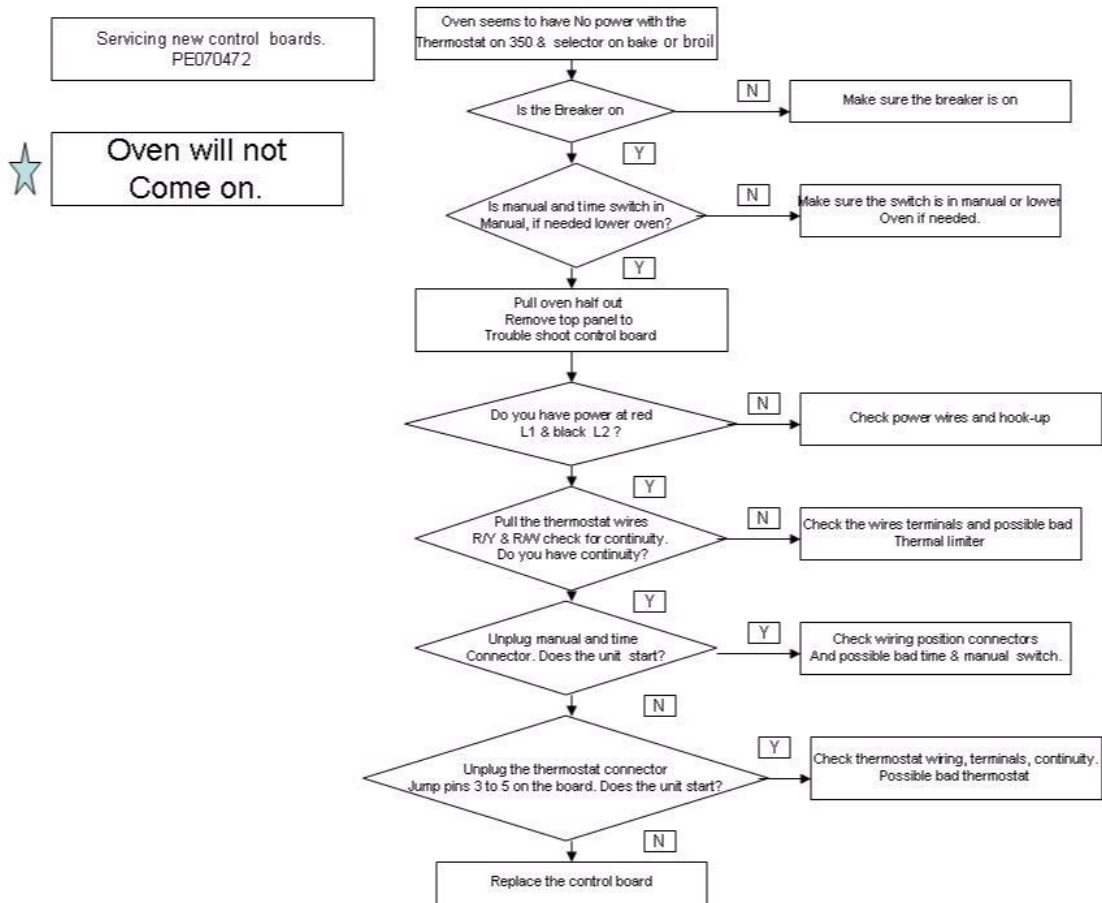
Ref #	Part Number	Qty.	Description
1	PE030165		27 DOOR HANDLE
	PE030165PVD		27 DOOR HANDLE PVD
2	G5008295BK		O/S DOOR SKIN ASSEMBLY (DESIGN)
	G5008295BT		O/S DOOR SKIN ASSEMBLY (DESIGN)
	G5008295GG		O/S DOOR SKIN ASSEMBLY (DESIGN)
	G5008295SG		O/S DOOR SKIN ASSEMBLY (DESIGN)
	G5008295SS		O/S DOOR SKIN ASSEMBLY (DESIGN)
	G5008295WH		O/S DOOR SKIN ASSEMBLY (DESIGN)
3	PC020139		DESIGNER DOOR HINGE (AFTER 2/15/02)
4	A1006198		OUTER DOOR HEAT SHEILD 27
5	A1006197		INNER DOOR HEAT SHEILD 27
6	A2006007		27 DOOR INSULATION RETAINER
NI	PB070041		SUB TO 000623-000 - DOOR GASKET(3/8DIA.) (VDSC)
7	G50010119		DESO170/175/DEDO270/275 DR LINER SVC-KIT
8	H3006155		27 INNER GLASS PK FRAME ASSY
9	G50010119		DESO170/175/DEDO270/275 DR LINER SVC-KIT
10	PE060056		27 GLASS PACK GLASS H.T.
NI	PB070092		BOARD INSULATION 27
NI	G3207968BK		DOOR ASSY XBKX (DEDO270/DESO170)
	G3207968BKBR		COMPLETE DOOR ASSY - BKBR (AFTER 2/15/02)
	G3207968BT		DOOR ASSY XBTX (DEDO270/DESO170)
	G3207968BTBR		COMPLETE DOOR ASSY - BTBR (AFTER 2/15/02)
	G3207968GG		DOOR ASSY XGGX (DEDO270/DESO170)
	G3207968GGBR		COMPLETE DOOR ASSY - GGBR (AFTER 2/15/02)
	G3207968SG		DOOR ASSY XSGX (DEDO270/DESO170)
	G3207968SGBR		DOOR ASSY XSGXBRX (DEDO270/DESO170)
	G3207968SS		DOOR ASSY XSSX (DEDO270/DESO170)
	G3207968SSBR		COMPLETE DOOR ASSY - SSBR (AFTER 2/15/02)
	G3207968WH		DOOR ASSY XWHX (DEDO270/DESO170)
	G3207968WHBR		COMPLETE DOOR ASSY - WHBR (AFTER 2/15/02)
NI	PD020032		SRW-8(A)X3/8PH.WFR HD 7/16DIAXNICL
NI	B1007913		HINGE CLIP (DESIGNER TIME PIECE)





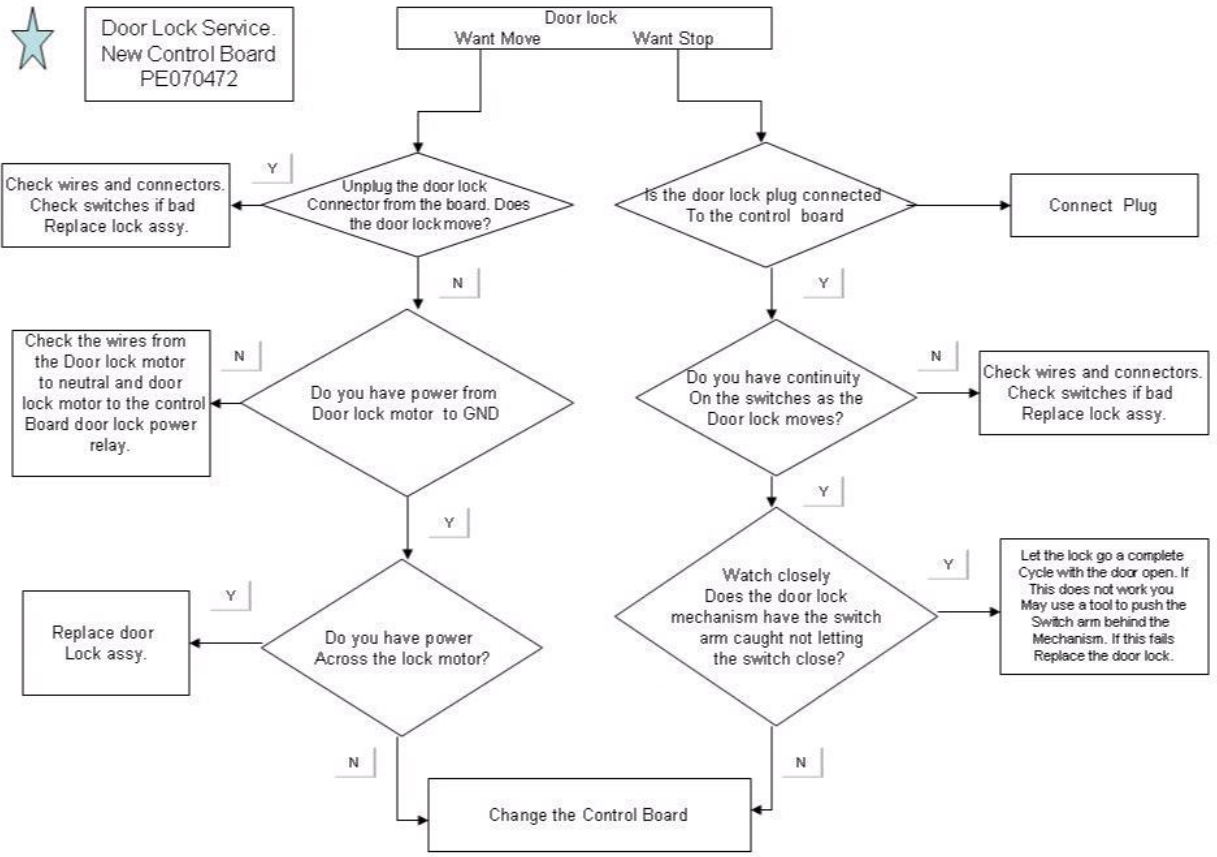
Ref #	Part Number	Qty.	Description
-------	-------------	------	-------------

---



Ref #	Part Number	Qty.	Description
-------	-------------	------	-------------

---



Ref #	Part Number	Qty.	Description
-------	-------------	------	-------------

---