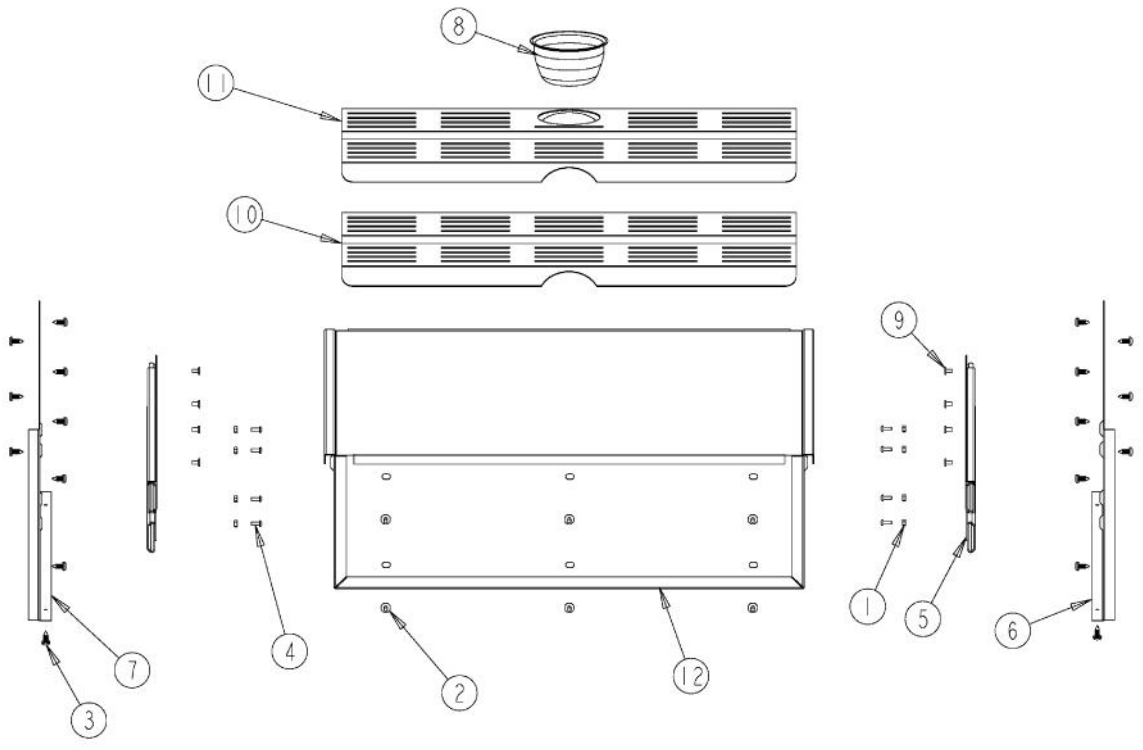
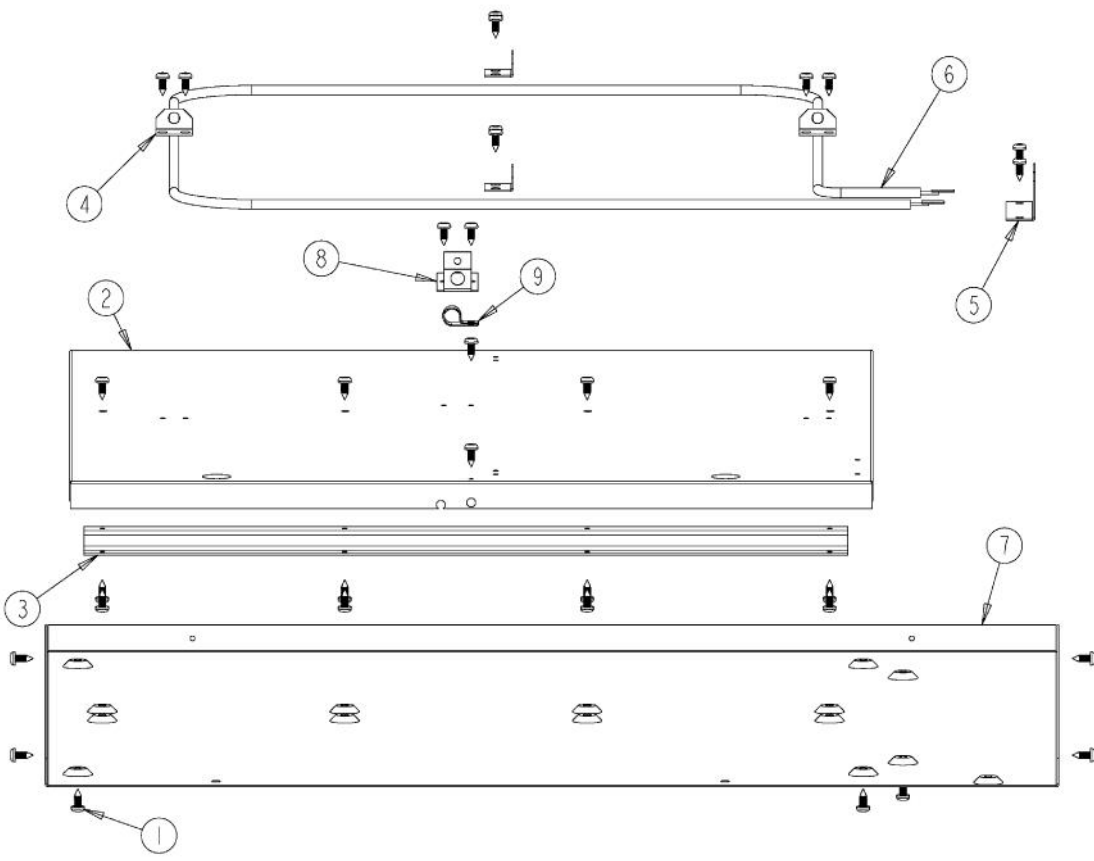


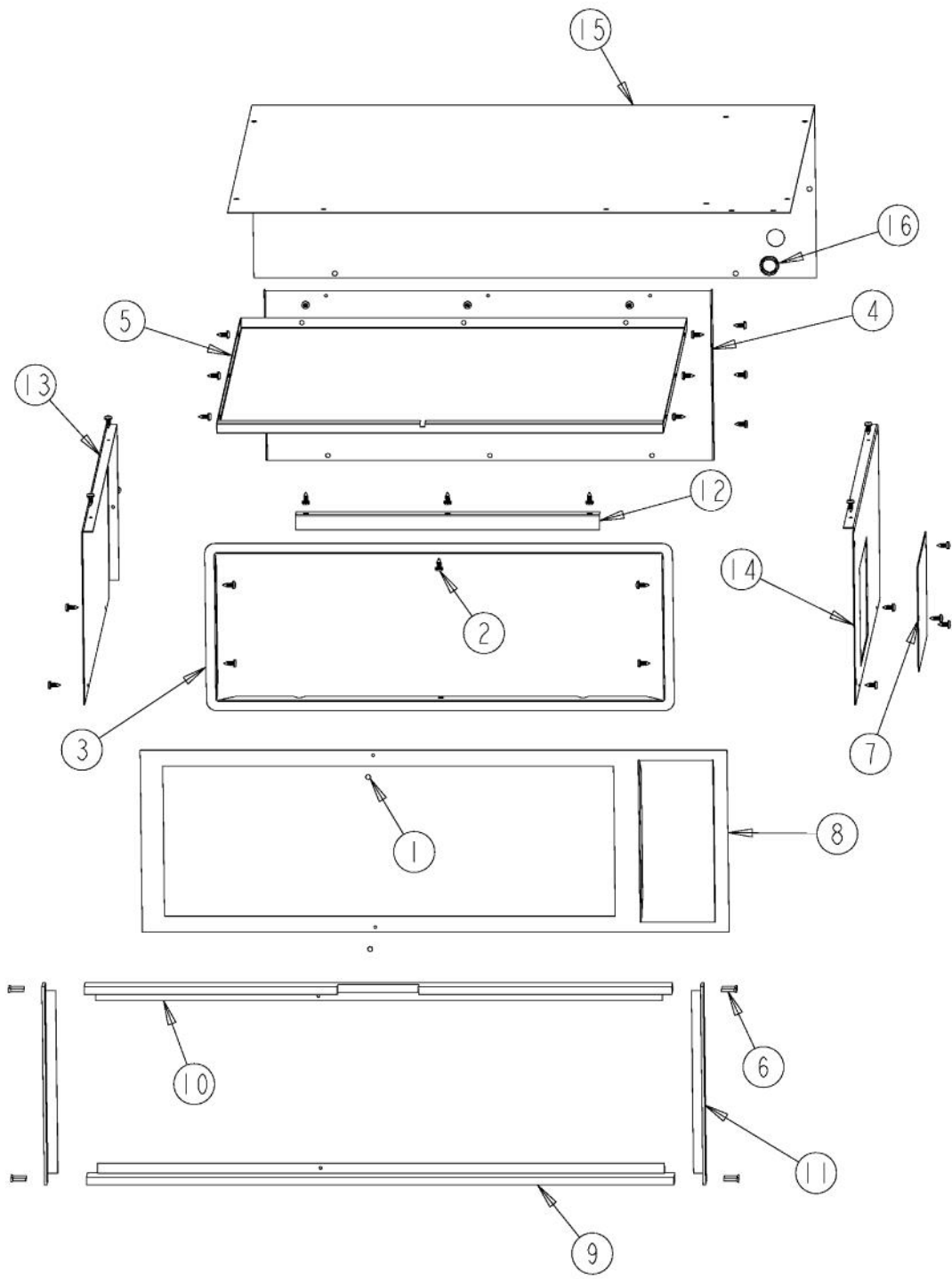
Ref #	Part Number	Qty.	Description
1	PD020009		10 X 1 PH. HD. PAN HD. SMS
2	PD020087		10 X 1/2 PAN PH. TEK ZINC
3	PD020076		6-32 X 3/8 PHILL PAN MS
4	PD020010		10 X 3/8 GREEN GROUNDING SCREW
5	PB010201		DESIGNER WD KNOB
6	A2006075		THERMOSTAT SPACER, DESIGNER
7	PE040326		DEWD/VEWD CONTROL PANEL GRAPHIC
8	PE050024		OVEN IND. LIGHT (LIGHT HOUSING)
9	A20013478		INSULATION PANEL
10	PE050023		OVEN IND. LIGHT (LENS & BEZEL)
11	A1002457		POWER CORD MOUNTING STRAP (VDSC)
12	A2002195		POWER CORD MOUNTING BRKT (VDSC)
13	PE070147		TERMINAL BLOCK
14	PB010167		THERMOSTAT
15	B20013480		CONTROL PANEL XSSX (VEWD/DEWD)



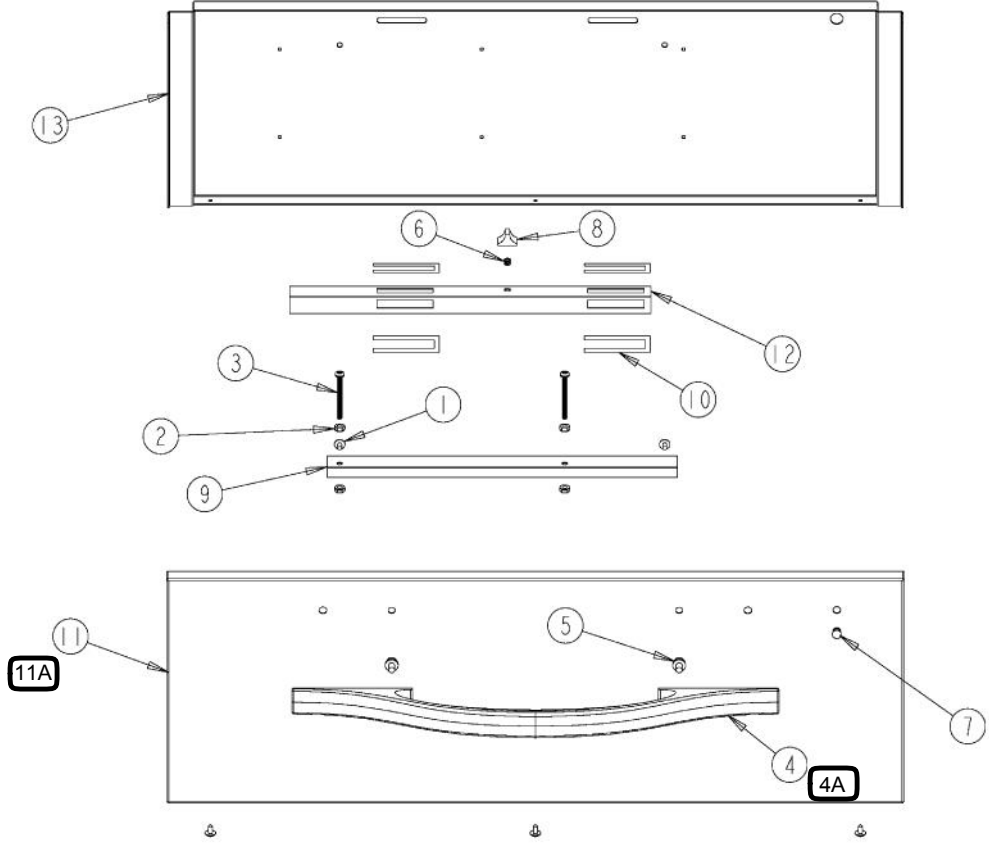
Ref #	Part Number	Qty.	Description
1	PD030012		6-32 HEX NUT
2	PD020032		SRW-8(A)X3/8PH.WFR HD 7/16DIA XNICKL
3	PD020087		10 X 1/2 PAN PH. TEK ZINC
4	PD020076		6-32 X 3/8 PHILL PAN MS
5	PC020022		WARMING DRAWER SLIDES
6	B2004151		INSIDE PANEL RH (VEWD)
7	B2004152		INSIDE PANEL LH (VEWD)
8	PA030005		6OZ. STAINLESS STEEL BOWL (6960)
9	PC040019		POP RIVET ( 0.125 GR X 0.156 DIA )
10	B2004131		FRONT RACK - 30 (VEWD)
11	B2004132		REAR RACK - 30 (VEWD)
12	G3004143		WARMING DRAWER WELD ASSY - (30)



Ref #	Part Number	Qty.	Description
1	PD020087		10 X 1/2 PAN PH. TEK ZINC
2	B2004174		BOTTOM INSIDE PANEL - 30 (VEWD)
3	A2007075		30`` WARMING DRAWER BRKT
4	B2004147		ELEMENT BRACKET (VEWD)
5	B2004141		BRACKET
6	PJ010009		ELEMENT - 30 (VEWD)
7	A2004169		OUTER BOTTOM PANEL
8	B2004148		THERMAL BULB BRKT (VEWD)
9	PD030009		CLAMP, AL-8 (.500)



Ref #	Part Number	Qty.	Description
1	PC040010		POP RIVET
2	PD020087		10 X 1/2 PAN PH. TEK ZINC
3	B2004179		GASKET FRAME (VEWD102)
NI	PB070072		WARMING DRAWER GASKET 6"/UNIT
4	B2004176		REAR INSIDE PANEL - 30 (VEWD)
5	B20013484		30 I/S TOP PANEL (VEWD103)
6	PD020150		NO.6 X 1/2 PH. CT. SK. SMS. ``SS``
7	A1004135		ACCESS PLATE (VEWD)
8	B20013483		FRONT FRAME 30 (DEWD101)
9	PE040292		BOTTOM TRIM (DEWD101)
10	PE040296		TOP TRIM (DEWD101)
11	PE040293		SIDE TRIM (DEWD)
12	B2004125		DRAWER STOP 27
13	A20013482		O/S PANEL - LH
14	A20013479		O/S PANEL - RH
15	A2004171		OUTER TOP PANEL
16	PD040005		SNAP BUSHING - 7/8



Ref #	Part Number	Qty.	Description
1	PD020032		SRW-8(A)X3/8PH.WFR HD 7/16DIA XNCL
2	PD030010		NO.10-24 KEPS NUT
3	PD020112		10-24 X 2RD PH MS TOGGLE BOLT
4	PE030167		30 DOOR HANDLE
4A	PE030167PVD		30 DOOR HANDLE PVD
5	PD010019		BLT-1/4-20X3/8HEX WASHER SERATED
6	PD030069		DAMPER KNOB INSERT (DEWD)
7	PE050084		DEWD O/S INDICATOR LENS
8	M6006255BK		DEWD MOISTURE SLIDE KNOB XBKX
9	B20015118		INSULATION BRACKET (DEWD)
10	PF010015		DEWD MOISTURE SLIDE GASKET (2045-10DPK)
11	B92013442		30 O/S DEWD DOOR PANEL XSLKSCREENX
11A	C92013442BK		30 O/S DOOR PANEL (DEWD101) XBKXSLKSCREENX
11B	C92013442BT		30 O/S DOOR PANEL (DEWD101) XBTXSLKSCREENX
11C	C92013442GG		30 O/S DOOR PANEL (DEWD101) XGGXSLKSCREENX
11D	C92013442SG		30 O/S DOOR PANEL (DEWD101) XSGXSLKSCREENX
11E	C92013442WH		30 O/S DOOR PANEL (DEWD101) XWHXSLKSCREENX
12	B20013464		WARMING DRAWER DAMPER (DEWD171/101)
13	B20013443		INSIDE DOOR
NI	G32013444BK		COMPLETE DOOR ASSEMBLY - BK
NI	G32013444BKBR		COMPLETE DOOR ASSEMBLY - BK / BR
NI	G32013444BT		COMPLETE DOOR ASSEMBLY - BT
NI	G32013444BTBR		COMPLETE DOOR ASSEMBLY - BT / BR
NI	G32013444GG		COMPLETE DOOR ASSEMBLY - GG
NI	G32013444GGBR		COMPLETE DOOR ASSEMBLY - GG / BR
NI	G32013444SG		COMPLETE DOOR ASSEMBLY - SG
NI	G32013444SGBR		COMPLETE DOOR ASSEMBLY - SG / BR
NI	G32013444SS		30 DOOR ASSY (DEWD101) XSSXSLKSCREENX
NI	G32013444SSBR		30 DOOR ASSY (DEWD101) XSSXBRXSLKSCREENX
NI	G32013444WH		COMPLETE DOOR ASSEMBLY - WH
NI	G32013444WHBR		COMPLETE DOOR ASSEMBLY - WH / BR
NI	PD950012		STRIKE PANEL ACCESS
NI	PD950013		LATCH PANEL ACCESS