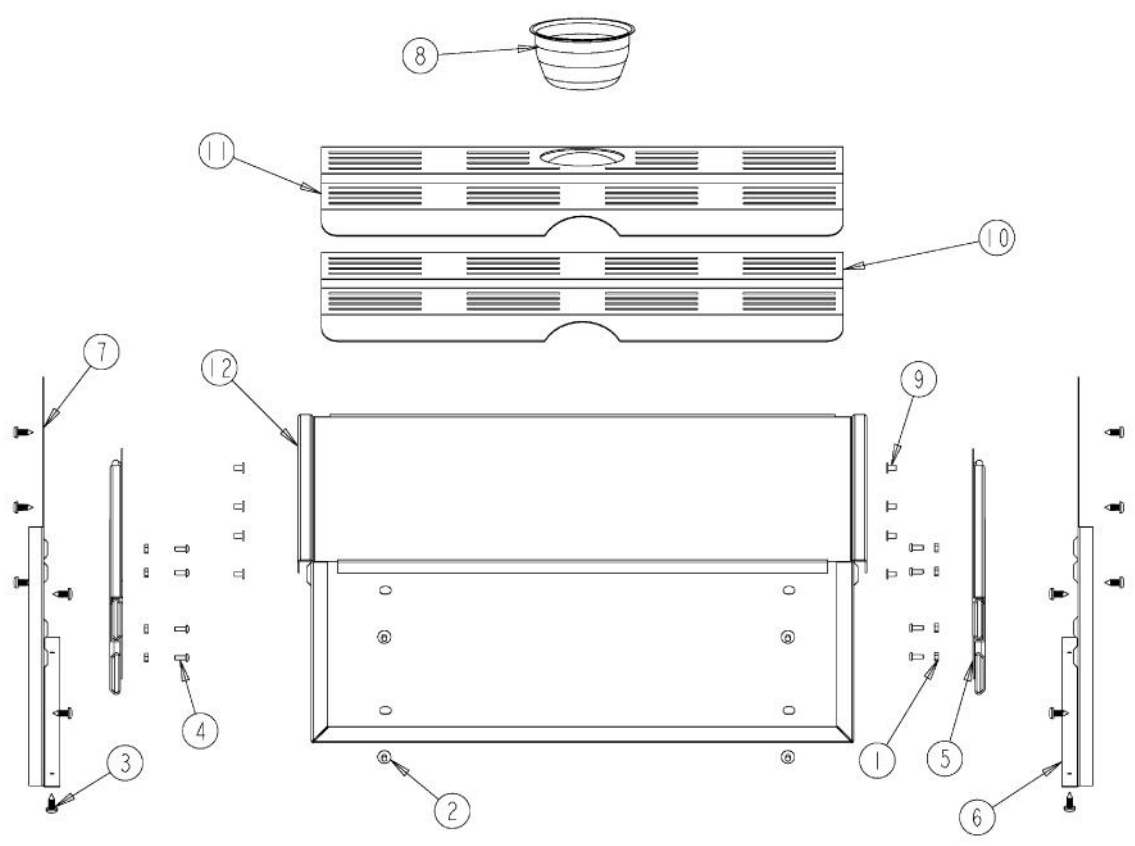
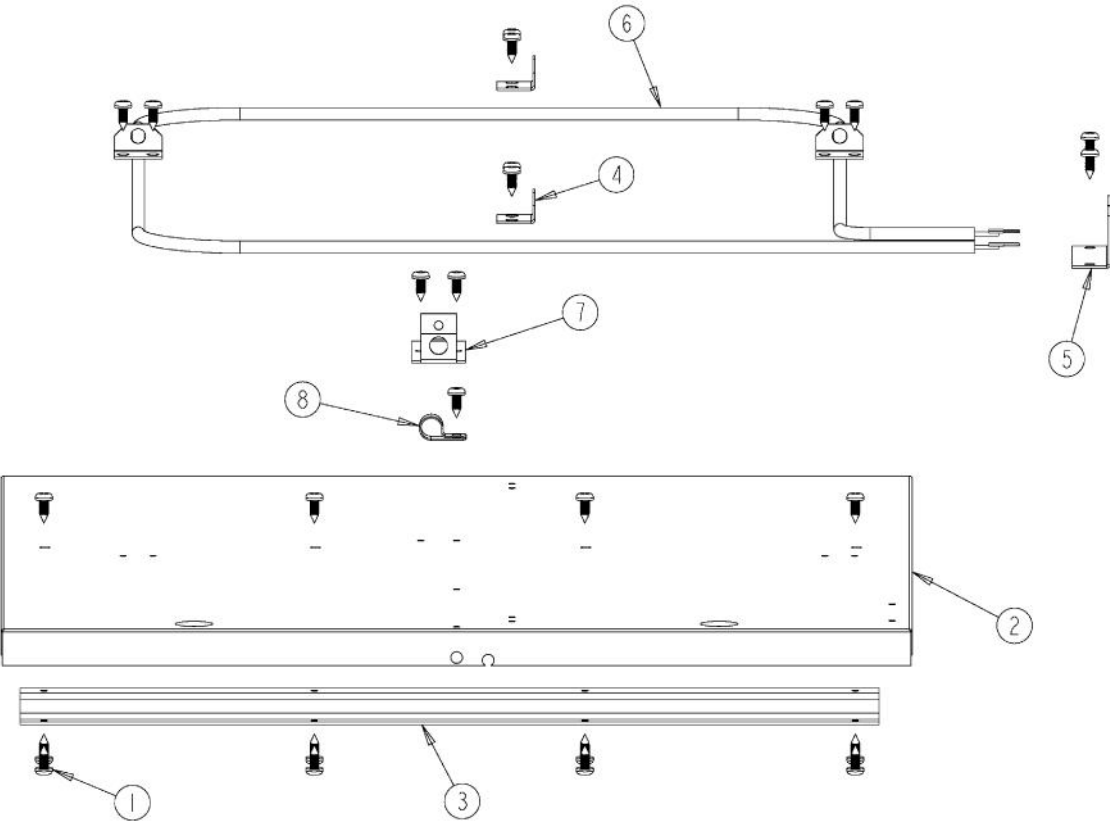


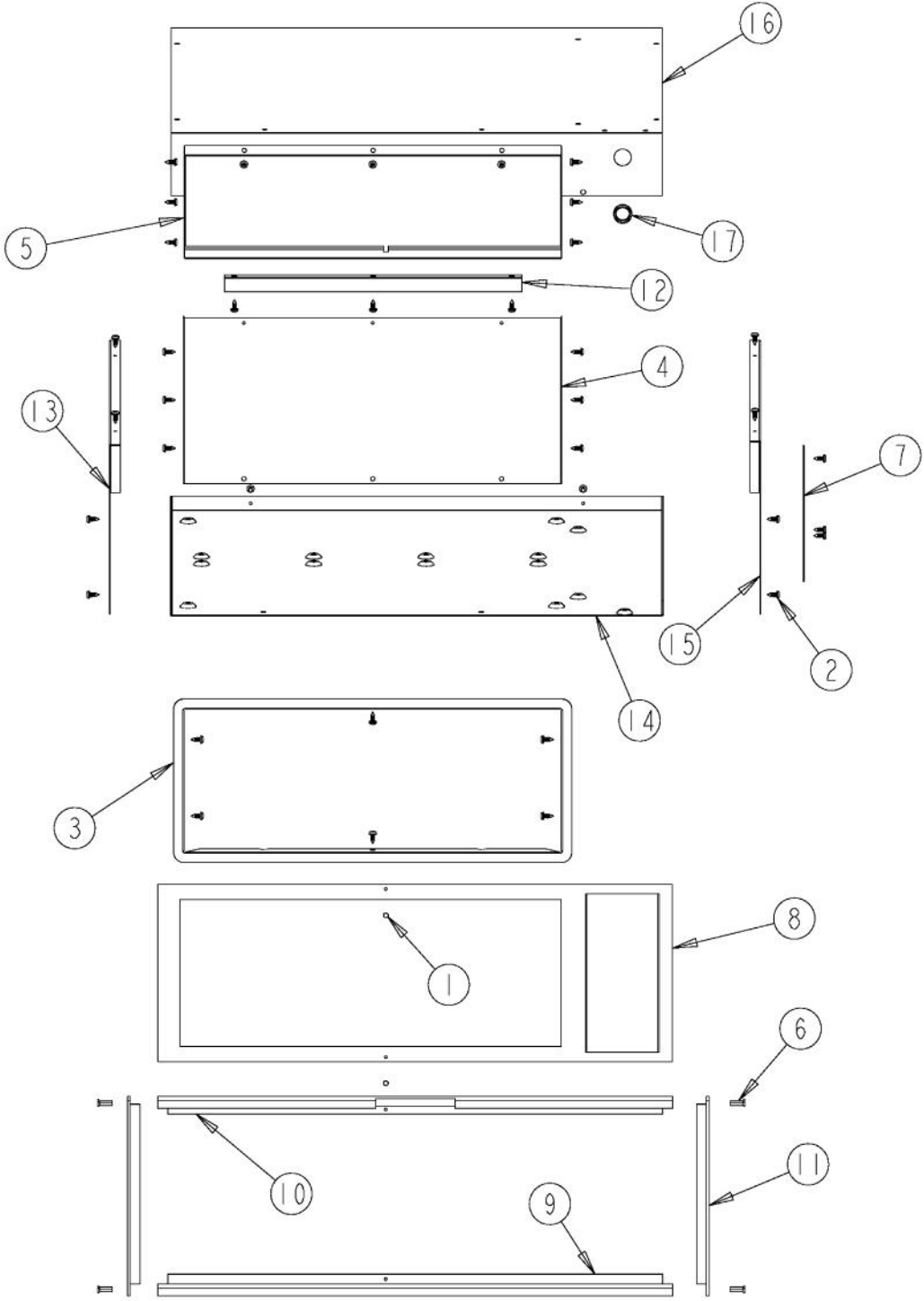
Ref #	Part Number	Qty.	Description
1	PD020009		10 X 1 PH. HD. PAN HD. SMS
2	PD020087		10 X 1/2 PAN PH. TEK ZINC
3	PD020076		6-32 X 3/8 PHILL PAN MS
4	PD020010		10 X 3/8 GREEN GROUNDING SCREW
5	PB010201		DESIGNER WD KNOB
6	A2006075		THERMOSTAT SPACER, DESIGNER
7	PE040236		30 WD TOP/BOTTOM TRIM
8	PE050024		OVEN IND. LIGHT (LIGHT HOUSING)
9	A20013478		INSULATION PANEL
10	PE050023		OVEN IND. LIGHT (LENS & BEZEL)
11	A1002457		POWER CORD MOUNTING STRAP (VDSC)
12	A2002195		POWER CORD MOUNTING BRKT (VDSC)
13	PE070147		TERMINAL BLOCK
14	PB010167		THERMOSTAT
15	B20013480		CONTROL PANEL XSSX (VEWD/DEWD)
NI	003005-002	1	8 - 18 X 1/2 ZN TRIV W/NO.6 TRUSS AB TAPPING SCREW XB...



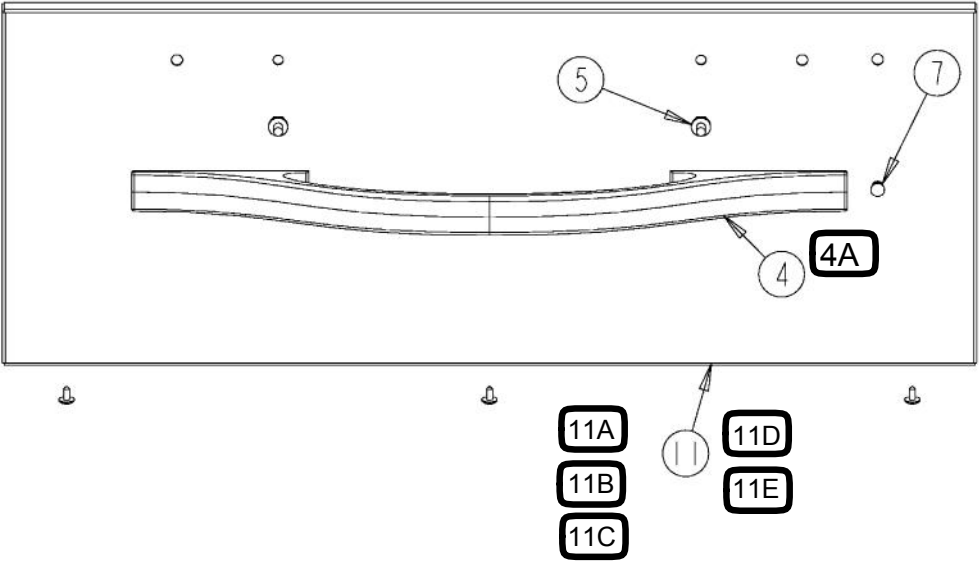
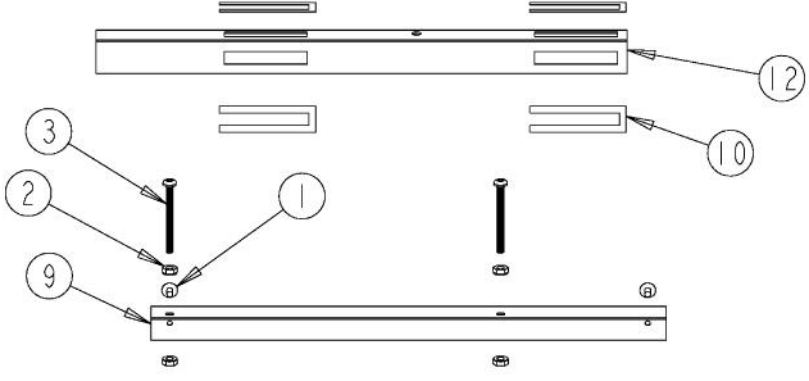
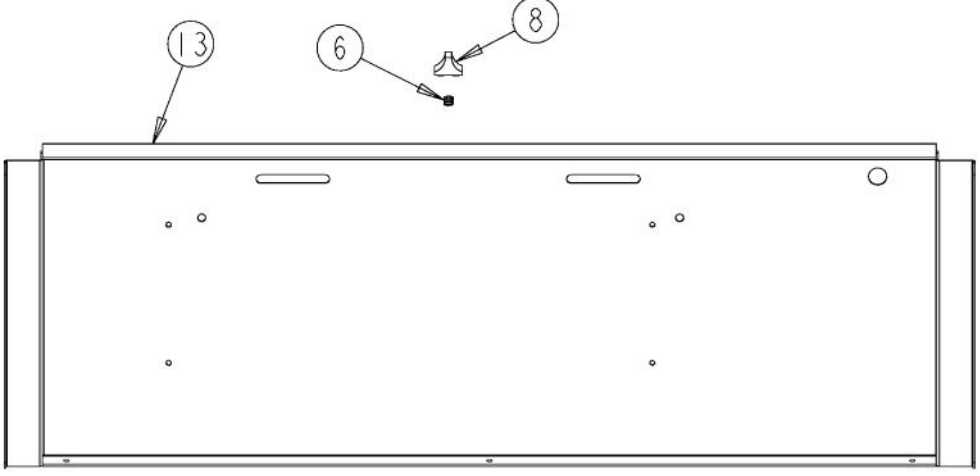
Ref #	Part Number	Qty.	Description
1	PD030012		6-32 HEX NUT
2	PD020032		SRW-8(A)X3/8PH.WFR HD 7/16DIA XNICKL
3	PD020087		10 X 1/2 PAN PH. TEK ZINC
4	PD020076		6-32 X 3/8 PHILL PAN MS
5	PC020022		WARMING DRAWER SLIDES
6	B2004151		INSIDE PANEL RH (VEWD)
7	B2004152		INSIDE PANEL LH (VEWD)
8	PA030005		6OZ. STAINLESS STEEL BOWL (6960)
9	PC040019		POP RIVET (0.125 GR X 0.156 DIA)
10	B2003180		FRONT RACK - (VEWD172)
11	B2003181		REAR RACK - (VEWD172)
12	G3004144		WARMING DRAWER WELD ASSY - (27)



Ref #	Part Number	Qty.	Description
1	PD020087		10 X 1/2 PAN PH. TEK ZINC
2	B2004185		BOTTOM INSIDE PANEL - 27 (VEWD)
3	A2007077		27`` WARMING DRAWER BRKT
4	B2004147		ELEMENT BRACKET (VEWD)
5	B2004141		BRACKET
6	PJ010010		ELEMENT - 27 (VEWD)
7	B2004148		THERMAL BULB BRKT (VEWD)
8	PD030009		CLAMP, AL-8 (.500)



Ref #	Part Number	Qty.	Description
1	PC040010		POP RIVET
2	PD020087		10 X 1/2 PAN PH. TEK ZINC
3	B2004188		GASKET FRAME - (VEWD172)
NI	PB070072		WARMING DRAWER GASKET 6"/UNIT
4	B2004180		REAR INSIDE PANEL - 27 (VEWD)
5	B20013485		TOP INSIDE PANEL 27 (VEWD173)
6	PD020150		NO.6 X 1/2 PH. CT. SK. SMS. ``SS``
7	A1004135		ACCESS PLATE (VEWD)
8	B20013490		FRONT FRAME (DEWD171)
9	PE040291		BOTTOM TRIM (DEWD171)
10	PE040298		TOP TRIM (DEWD171)
11	PE040293		SIDE TRIM (DEWD)
12	B2004125		DRAWER STOP 27
13	A20013482		O/S PANEL - LH
14	A2004181		OUTER BOTTOM PANEL
15	A30013479		O/S SIDE - RH
16	A2004182		OUTER TOP PANEL
17	PD040005		SNAP BUSHING - 7/8



Ref #	Part Number	Qty.	Description
1	PD020032		SRW-8(A)X3/8PH.WFR HD 7/16DIAXNICL
2	PD030010		NO.10-24 KEPS NUT
3	PD020112		10-24 X 2RD PH MS TOGGLE BOLT
4	PE030165		27 DOOR HANDLE
4A	PE030165PVD		27 DOOR HANDLE PVD
5	PD010019		BLT-1/4-20X3/8HEX WASHER SERATED
6	PD030069		DAMPER KNOB INSERT (DEWD)
7	PE050084		DEWD O/S INDICATOR LENS
8	M6006255BK		DEWD MOISTURE SLIDE KNOB XBKX
9	B20015118		INSULATION BRACKET (DEWD)
10	PF010015		DEWD MOISTURE SLIDE GASKET (2045-10DPK)
11	B92013445		27 O/S DOOR PANEL (DEWD171)
11A	C92013445BK		27 O/S DOOR PANEL (DEWD171) XBKXSLKSCREENX
11B	C92013445BT		27 O/S DOOR PANEL (DEWD171) XBTXSLKSCREENX
11C	C92013445GG		27 O/S DOOR PANEL (DEWD171) XGGXSLKSCREENX
11D	C92012445SG		DOOR PANEL - SG
11E	C92013445WH		27 O/S DOOR PANEL (DEWD171) XWHXSLKSCREENX
12	B20013464		WARMING DRAWER DAMPER (DEWD171/101)
13	B20013446		INNER DOOR PANEL
NI	G32013447BK		COMPLETE DOOR ASSEMBLY - BK
	G32013447BKBR		COMPLETE DOOR ASSEMBLY - BK / BR
	G32013447BT		COMPLETE DOOR ASSEMBLY - BT
	G32013447BTBR		COMPLETE DOOR ASSEMBLY - BT / BR
	G32013447GG		COMPLETE DOOR ASSEMBLY - GG
	G32013447GGBR		COMPLETE DOOR ASSEMBLY - GG / BR
	G32013447SG		COMPLETE DOOR ASSEMBLY - SG
	G32013447SGBR		COMPLETE DOOR ASSEMBLY - SG / BR
	G32013447SS		27 DOOR ASSY (DEWD171) XSSXSLKSCREENX
	G32013447SSBR		27 DOOR ASSY (DEWD171) XSSXBRXSLKSCREENX
	G32013447WH		COMPLETE DOOR ASSEMBLY - WH
	G32013447WHBR		COMPLETE DOOR ASSEMBLY - WH / BR
NI	PD950012	1	STRIKE PANEL ACCESS
NI	PD950013	1	LATCH PANEL ACCESS