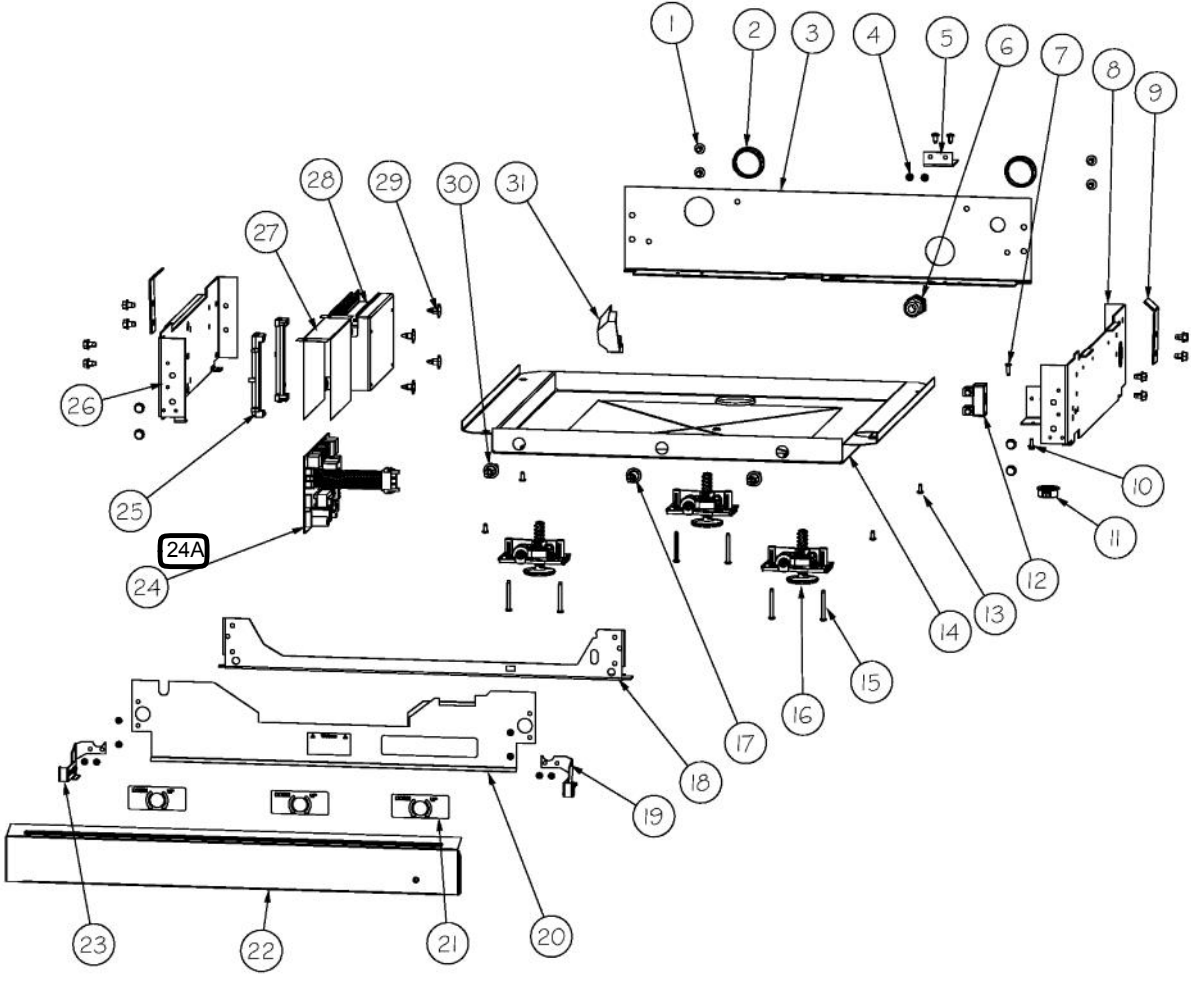
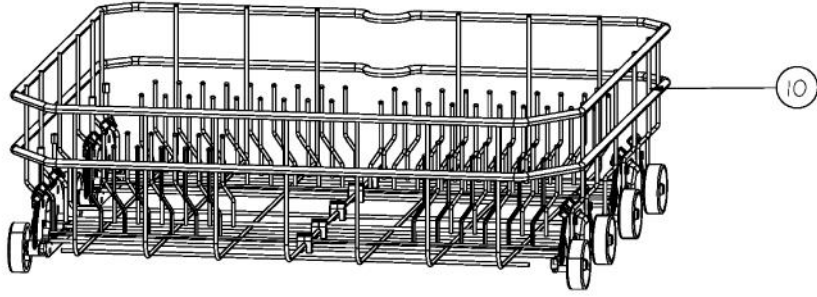
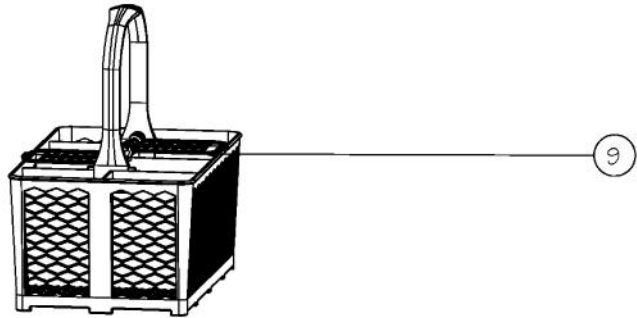
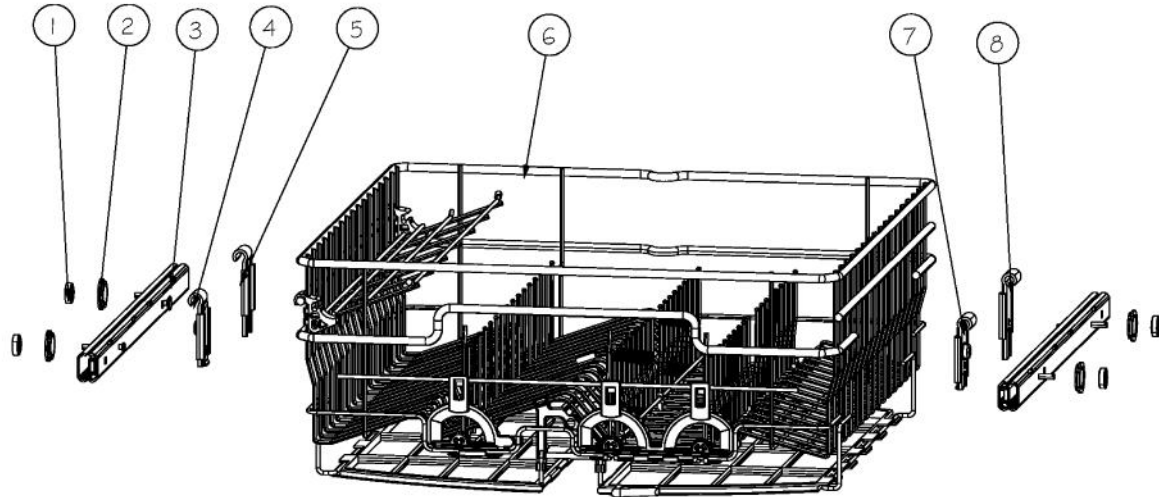


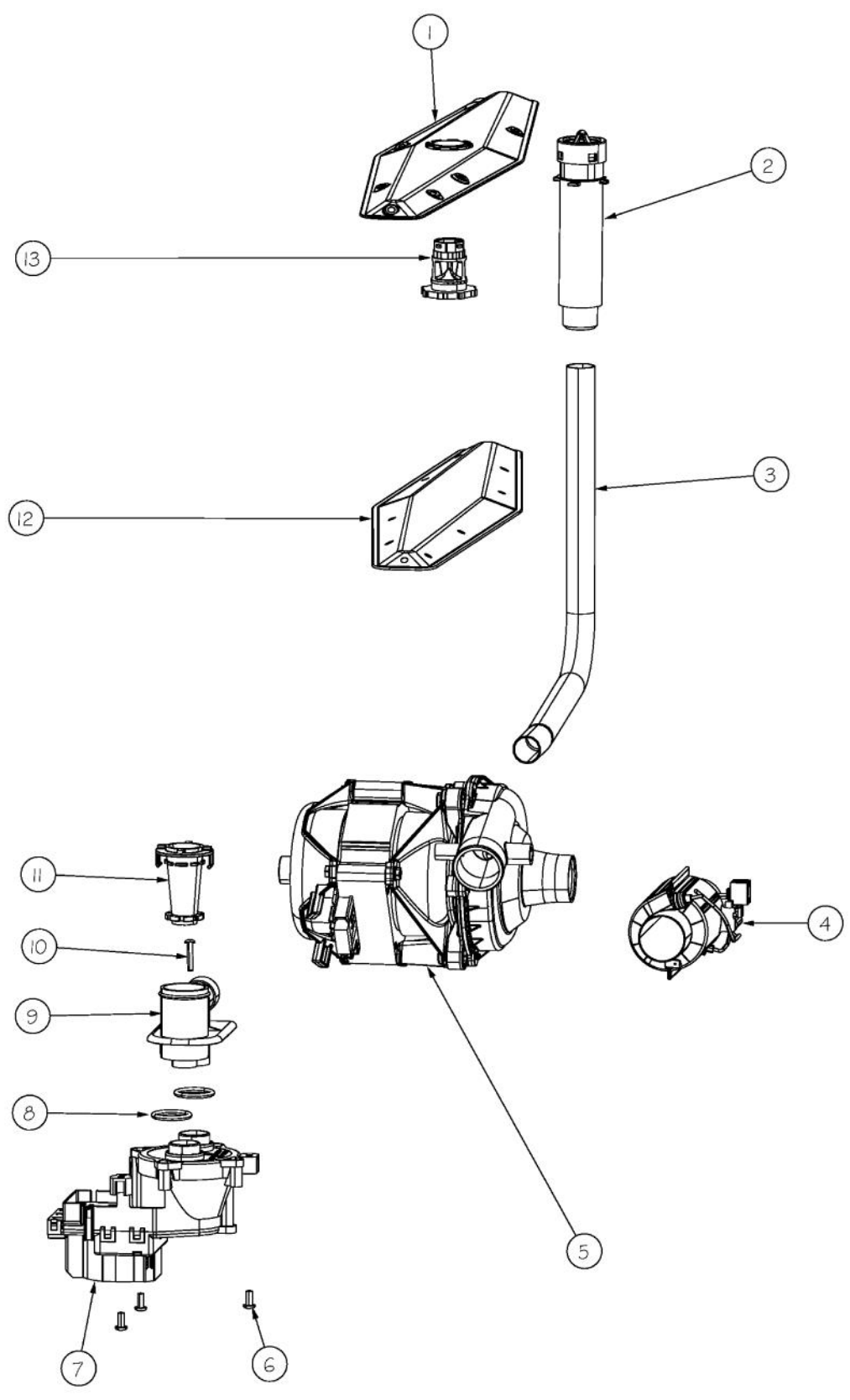
Ref #	Part Number	Qty.	Description
1	PD020249	2	SCREW, NO.8-18 X 3/8, TYPE B, TORX, PAN HEAD, ZINC, BL...
2	000361-000	1	DOOR, STRIKER
3	PD010019	2	BLT-1/4-20X3/8HEX WASHER SERATED
4	000362-000	1	CLAMP, STRIKER
5	000572-000	2	CLIP, MTG
6	NON-SERVICEABLE	1	TUB WELDMENT
7	002298-000	2	DAMPENER ASSEMBLY, DOOR
8	013449-000	2	EDGING, MOUNTING TRIM, 325
9	000079-000	6	BUTTON,RTNR
10	019978-000	1	AIR & WATER INLET ASSY- 325 MODELS
11	C93813632	1	HINGE, DOOR RIGHT PLATED
12	PD030179	2	1/4-20 HEX NYLON INSERT LOCK NUT
13	PM810488	2	DOOR DAMPENER PULLEY
14	PM810487	2	DOOR DAMPENER CABLE
15	PD020265	2	1/4-20 X 1 1/4 TORX PAN HD MACHINE SCREW
16	C93813631	1	HINGE, DOOR LEFT PLATED



Ref #	Part Number	Qty.	Description
1	PD020255	15	1/4-20 X 3/8 HEX WSHR THD CUT ZINC
2	PD040163	2	BUSHING, POWER CORD
3	007035-000	1	BRACKET, BASE REAR
4	PD020250	4	SCREW; NO.10-32 X 3/8 TORX, PAN, ZINC, TYPE F
5	007605-000	1	BRACKET, WATER VALVE
6	PE070209	1	STRAIN RELIEF
7	PD020214	1	SCREW, TYPE F, PAN, TORX, ZINC, 8-32 X 0.5
8	012061-000	1	BASE, RIGHT SIDE ASSY
9	K2088871	2	CLAMP, TUB REAR
10	PD020010	1	10 X 3/8 GREEN GROUNDING SCREW
11	009899-000	1	BUSHING, ENCLOSURE, HEATER, HEYCO SB-1.00-12
12	PE070708	1	TERMINAL BLOCK
13	PD020249	12	SCREW, NO.8-18 X 3/8, TYPE B, TORX, PAN HEAD, ZINC, BL...
14	023489-000	1	PAN, BASE, BOTTOM
15	PD020215	6	SCREW, TYPE F, PAN, TORX, ZINC, 8-32 X 1.5, BLUNT
16	G5088830	3	LEG LEVELING SYSTEM ASSEMBLY
17	PK830366	1	HEX HEAD ADJUSTER, REAR
18	019931-000	1	BRACKET, BASE FRONT
19	010851-000	1	BRACKET, ADJUSTABLE TOE KICK, RIGHT, ASSY
20	K2188812	1	BASE FRONT
21	PF031283	3	LABEL, LEVELING ARROWS
22	010984-000	1	PLATE, KICK, ASSY
NI	008981-000	1	LED, CYCLE RUN
23	010850-000	1	BRACKET, ADJUSTABLE TOE KICK, LEFT, ASSY
24	016831-000	1	MACHINE CONTROL BEFORE 5/26/10
24A	011326-000	1	MACHINE CONTROL ON OR AFTER 5/26/10
25	PK030541	2	MOUNT, MACHINE CONTROLLER
26	K2188874	1	BASE, LEFT SIDE
27	PB070338	1	SHIELD, DIELECTRIC
28	PE850191	1	ELECTRONIC MOTOR SPEED CONTROL MODULE
29	PC040020	4	NYLON TREE PUSH-IN RIVETS
30	PK830395	2	HEX HEAD ADJUSTER, FRONT
31	000380-000	1	SUPPORT, MOTOR
NI	PE050229	1	FLOOD SENSOR
NI	016599-000	1	BRACKET, MTG, TOP, LEFT
NI	016606-000	1	BRACKET, MTG, TOP, CTR, R
NI	PF031282	1	DECAL, WIRING DIAGRAM BEFORE 5/26/10
NI	F20698	1	DECAL, WIRING DIAGRAM ON OR AFTER 5/26/10

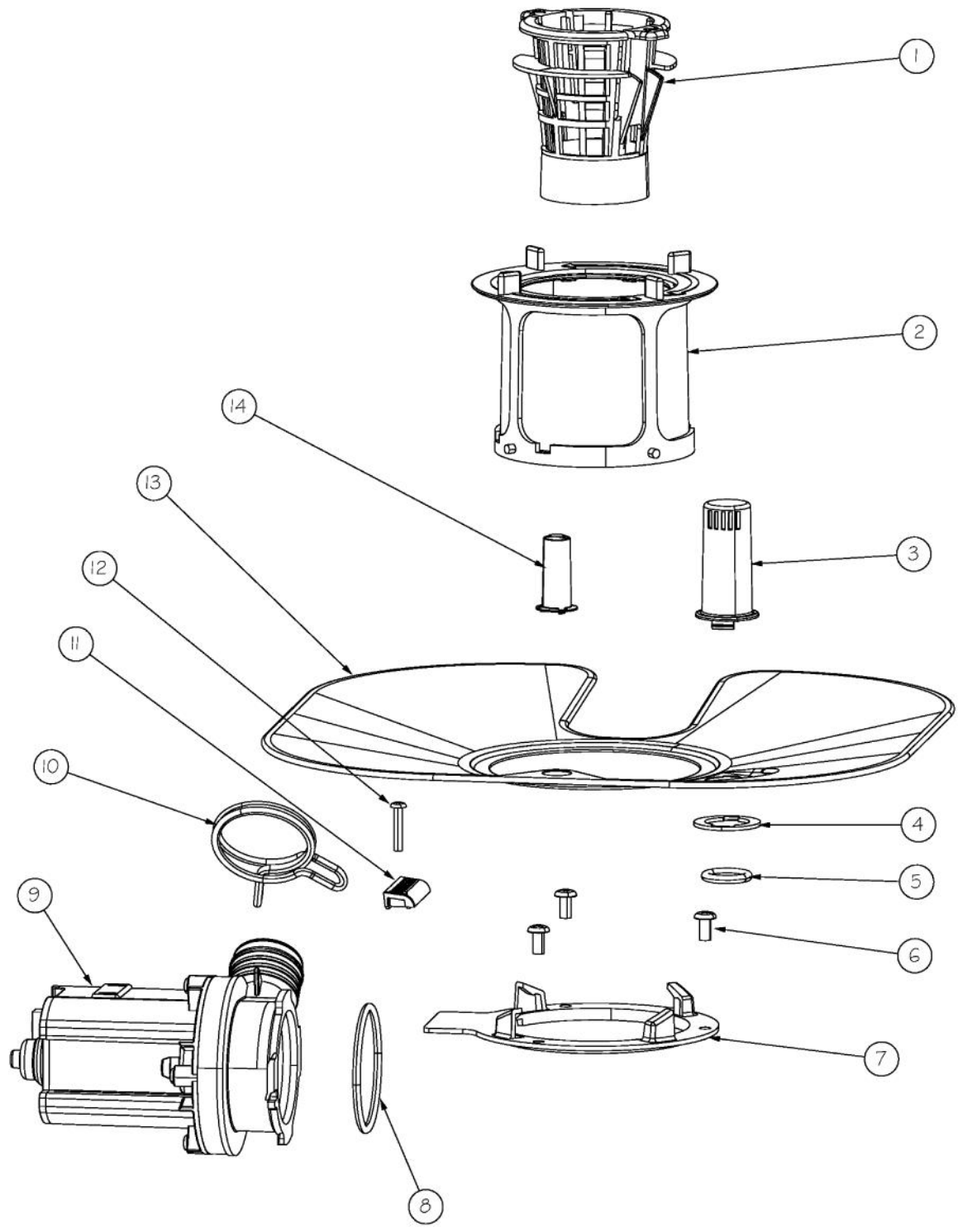


Ref #	Part Number	Qty.	Description
1	PK030448	4	RACK SLIDE SPACER
2	PK030536	4	SLEEVE, SPACER
3	005334-000	2	SLIDE, RACK
4	005044-000	1	CLIP, RACK SLIDE-LEFT FRONT
5	005039-000	1	CLIP, RACK SLIDE-LEFT REAR
6	013333-000	1	ULTRA PREMIUM UPPER RACK ASSEMBLY 325
7	006404-000	1	CLIP, RACK SLIDE-RIGHT FRONT
8	006403-000	1	CLIP, RACK SLIDE-RIGHT REAR
9	G5088896	1	SILVERWARE BASKET ASSEMBLY
10	013345-000	1	LOWER RACK ASSEMBLY- 325/200/201
NI	PD830123	1	DISH RACK CLIP

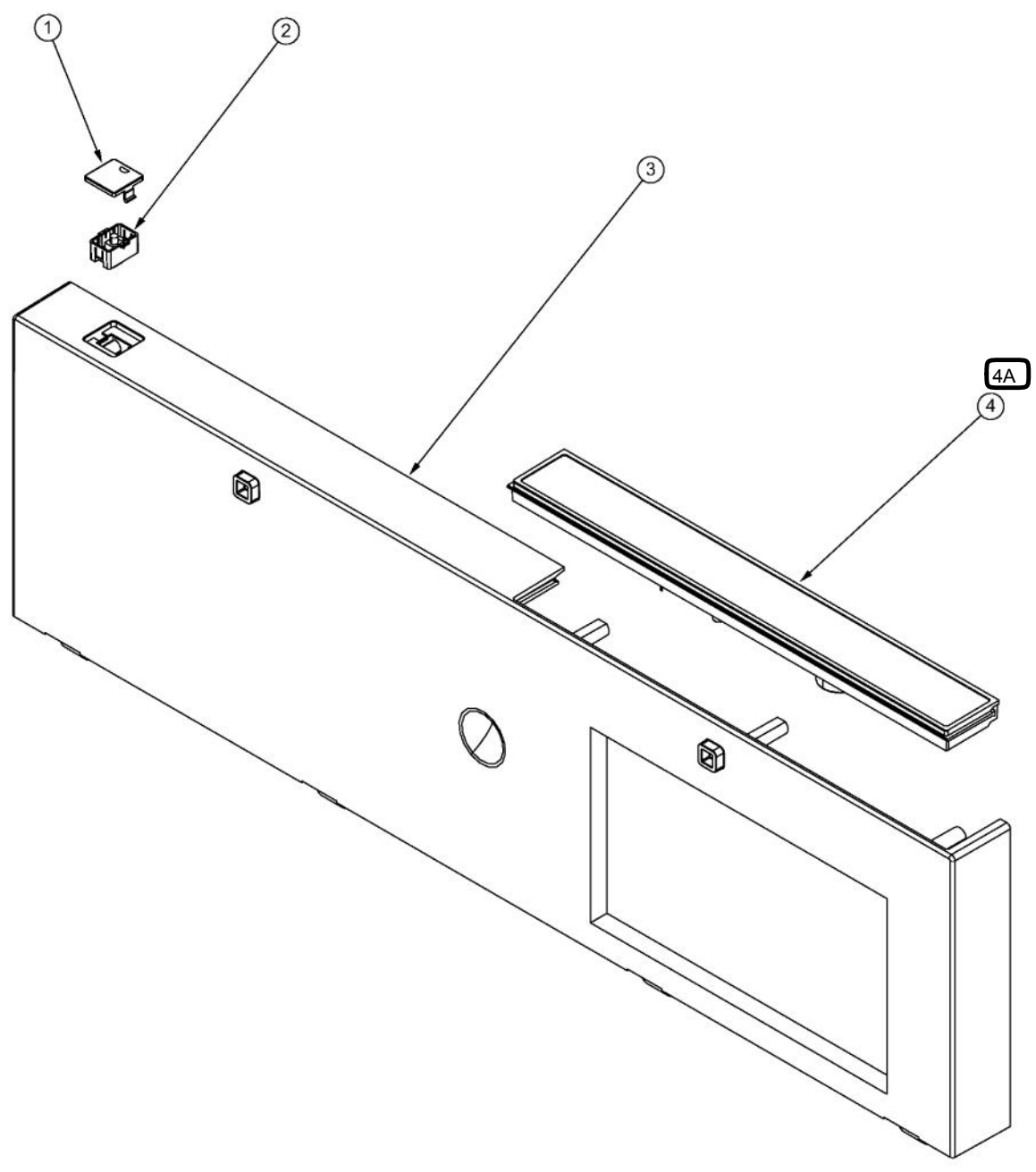


Ref #	Part Number	Qty.	Description
1	G2188879	1	MIDDLE SPRAY ARM, ASSEMBLY
2	004062-000	1	REAR PORT ASSEMBLY
3	F2088867	1	CONDUIT, LOWER
4	PJ810035	1	HEATER, FLOW THRU
5	019589-000	1	PUMP & MOTOR ASSEMBLY
6	PD020262	3	SCREW, 8-14X3/8 TORX, PAN HEAD, PLASTITE, 304 SS
7	PA810147	1	DIVERTER VALVE
NI	040626-000	1	DIVERTER VALVE KIT
8	PB870194	2	O-RING, DIVERTER VALVE
9	PM810359	1	VENTURI PLATE
10	PD020245	1	SCREW, NO.6-19 X 3/4 TORX, PAN HEAD, PLASTITE, 304SS
11	PK830260	1	LOWER SPRAY ARM VENTURI SPINDLE
12	G2188882	1	LOWER SPRAY ARM, ASSEMBLY
13	PK830375	1	MIDDLE SPRAY ARM LOCK NUT, 1/4 TURN
NI	PA010225	1	SINGLE SOLENOID WATER VALVE BEFORE 5/26/10
	012180-000	1	VALVE, WATER, SINGLE SOLENOID ON OR AFTER 5/26/10
NI	007564-000	1	HOSE, WATER FILL, 5-FOOT
NI	008548-000		HOSE, 20, AIR & WATER INLET TO WATER VALVE ON OR AFTER 5/26/10
NI	023731-000	1	HOSE, 13.5 INLET VALVE TO AIR & WATER INLET ON OR AFTER 5/26/10

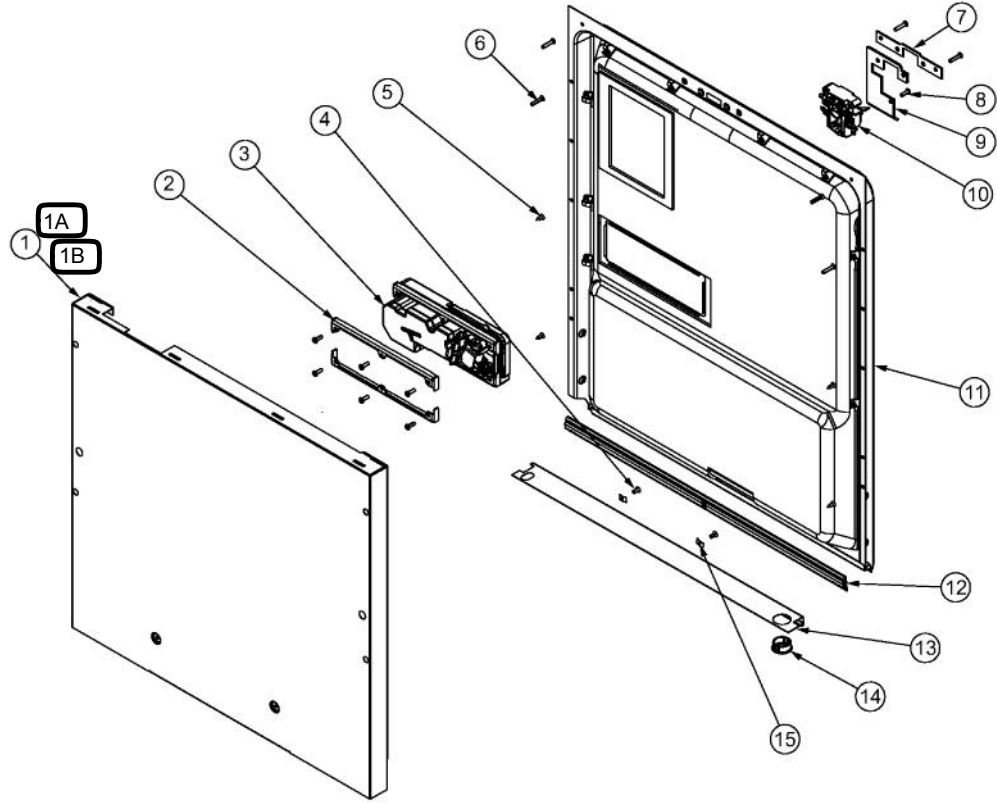




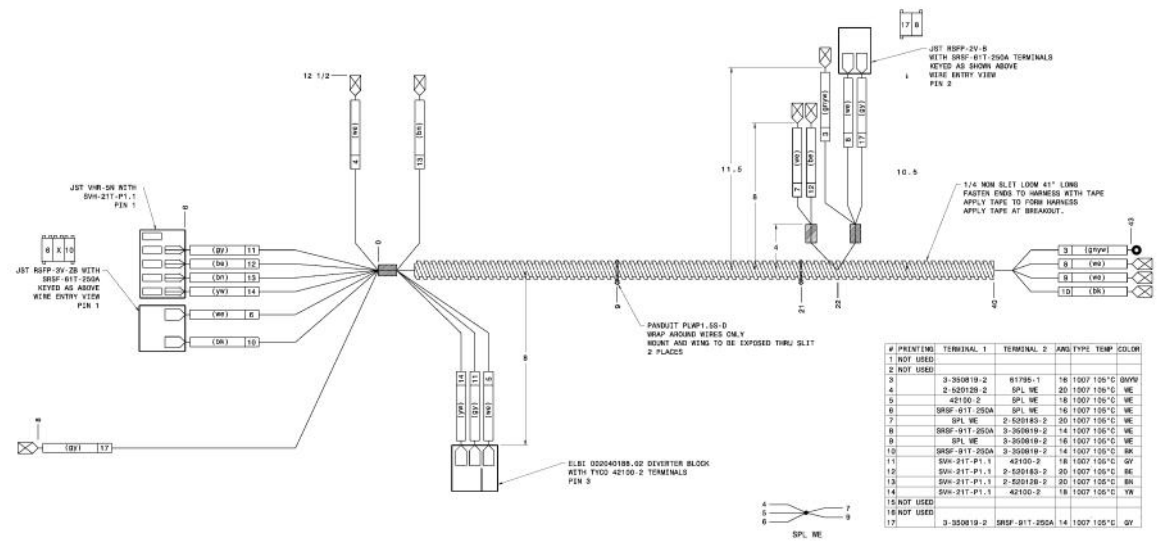
Ref #	Part Number	Qty.	Description
1	PB880032	1	TRAP, GLASS
2	G5088865	1	FINE FILTER ASSEMBLY
3	PK830315	1	STANDPIPE, LEVEL SENSOR
4	PK830335	1	RETAINER, STANDPIPE
5	PB870196	1	SUB TO 020784-000 - O-RING, LEVEL SENSOR
6	009039-000	3	SCREW, NO.10 X 3/8 PHIL PAN HD PLASTITE 18-8 PASSIVAT...
7	PD830110	1	FILTER LOCKING PLATE
8	PB870195	1	O-RING, DRAIN PUMP
9	013309-000	1	PUMP. DR, 20MM, ASSY
10	PD030164	1	CLAMP, DOUBLE WIRE, HOSE, .126
11	PK830239	1	DRAIN FILTER
12	PD020245	1	SCREW, NO.6-19 X 3/4 TORX, PAN HEAD, PLASTITE, 304SS
13	007013-000	1	FILTER, PRIMARY, FORMED
14	006627-000	1	CAP, FILTER
NI	019416-000	1	HUBA ASM, DISHWASHER
NI	PB820205	1	HOSE, DRAIN
NI	020784-000	1	TEMPERATURE SENSOR ASSY W/O-RING



Ref #	Part Number	Qty.	Description
1	002702-000	1	BUTTON, START
2	PE050225	1	MAIN POWER SWITCH
3	033450-000	1	ASM, 450 CONSOLE & START SWITCH/BUTTON
4	016835-000	1	USER INTERFACE BEFORE 5/26/10
4A	023710-000	1	UI 325 ON OR AFTER 5/26/10
NI	021151-000	1	325 DISHWASHER CONTROL KIT



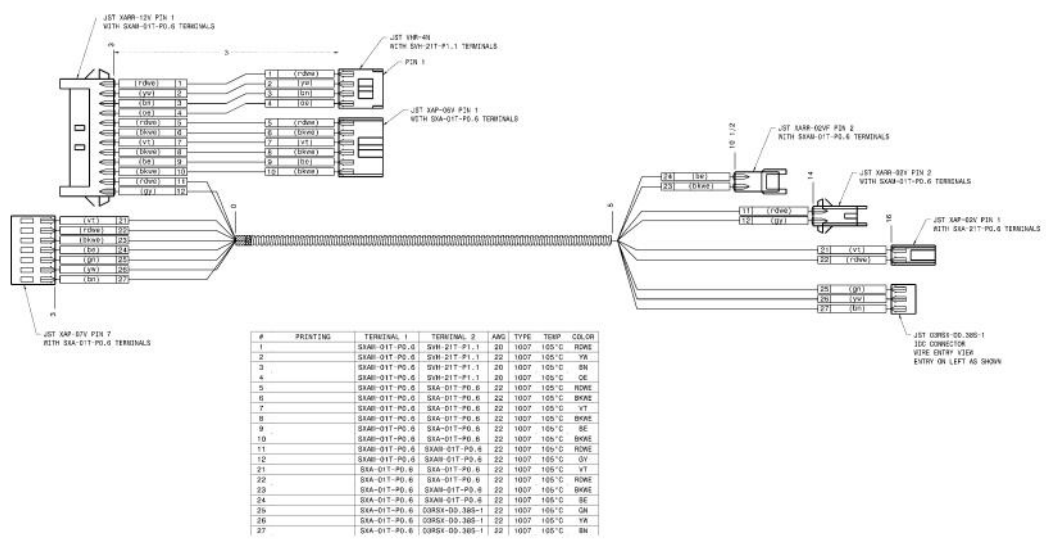
Ref #	Part Number	Qty.	Description
1	019564-000	1	DOOR, SKIN, INTEGRATED, DSNR SS
1A	019565-002	1	DOOR, SKIN, INTEGRATED, DSNR BK
1B	019565-006	1	DOOR, SKIN, INTEGRATED, DSNR WH
2	PK050002	1	BRACKET, SOAP/RINSE-AID DISPENSER
3	PM810482	1	DETERGENT/RINSE AID DISPENSER
4	002550-000	2	TINNERMAN NUT
5	PD020264	4	SCREW, 8-18 X 3/8, TORX, FLAT HEAD, 304 SS, TYPE AB
6	PD020211	6	SCREW, PLASTITE, FLAT HEAD, TORX, 304SS, 8-16 X 0.75
7	019464-000	1	SPACER, DOOR LATCH
8	008987-000	7	SCREW, NO.8 X 1/2 PAN TORX ZINC HIGH-LOW
9	000870-000	1	LATCH, BRACKET
10	013380-000	1	DOOR LATCH
11	025031-000	1	DOOR, INNER W BITUMEN 325
12	014072-000	1	SEAL, DOOR, LOWER
13	013743-000	1	BRACKET, DOOR, INNER, 325
14	PC070036	1	BUSHING, M.S.A.
15	003655-000	2	NO.8-32 X 1/4 FLAT 18-8 PASSIVATED MACHINE TORX



#	PRINTING	TERMINAL 1	TERMINAL 2	AND TYPE	TEMP	COLOR
1	NOT USED					
2	NOT USED					
3		3-350819-2	81790-1	14	1007	105°C
4		2-620128-2	SPL WE	20	1007	105°C
5		42150-2	SPL WE	18	1007	105°C
6		SWH-P1T-25DA	SPL WE	16	1007	105°C
7		SPL WE	2-620183-2	20	1007	105°C
8		SWH-P1T-25DA	3-350819-2	14	1007	105°C
9		SPL WE	3-350819-2	16	1007	105°C
10		SWH-P1T-25DA	3-350819-2	14	1007	105°C
11		SWH-P1T-P1.1	42150-2	18	1007	105°C
12		SWH-P1T-P1.1	2-620183-2	20	1007	105°C
13		SWH-P1T-P1.1	2-620128-2	20	1007	105°C
14		SWH-P1T-P1.1	42150-2	18	1007	105°C
15	NOT USED					
16	NOT USED					
17		3-350819-2	SWH-P1T-25DA	14	1007	105°C

Ref #	Part Number	Qty.	Description
NI	013126-000	1	HARNESS, HV BEFORE 5/26/10
1	021095-000	1	HIGH VOLTAGE HARNESS ON OR AFTER 5/26/10





Ref #	Part Number	Qty.	Description
1	023569-000	1	HARNESS, LV BASE ON OR AFTER 5/26/10



Ref #	Part Number	Qty.	Description
1	023559-000	1	DOOR HARNESS ON OR AFTER 5/26/10

*No Image  
Available*

Ref #	Part Number	Qty.	Description
NI	004003-000	1	WIRE HARNESS, SENSOR BEFORE 5/26/10
NI	008354-000	1	HARNESS, JUMPER, LOW VOLTAGE DOOR BEFORE 5/26/10