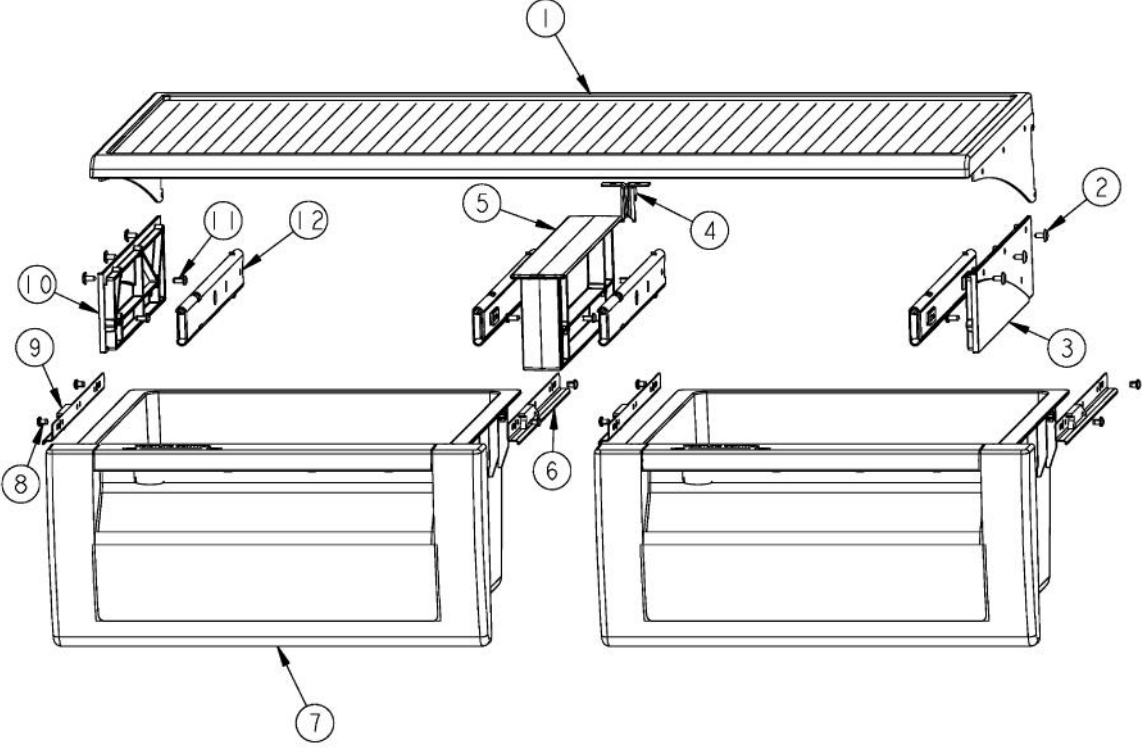
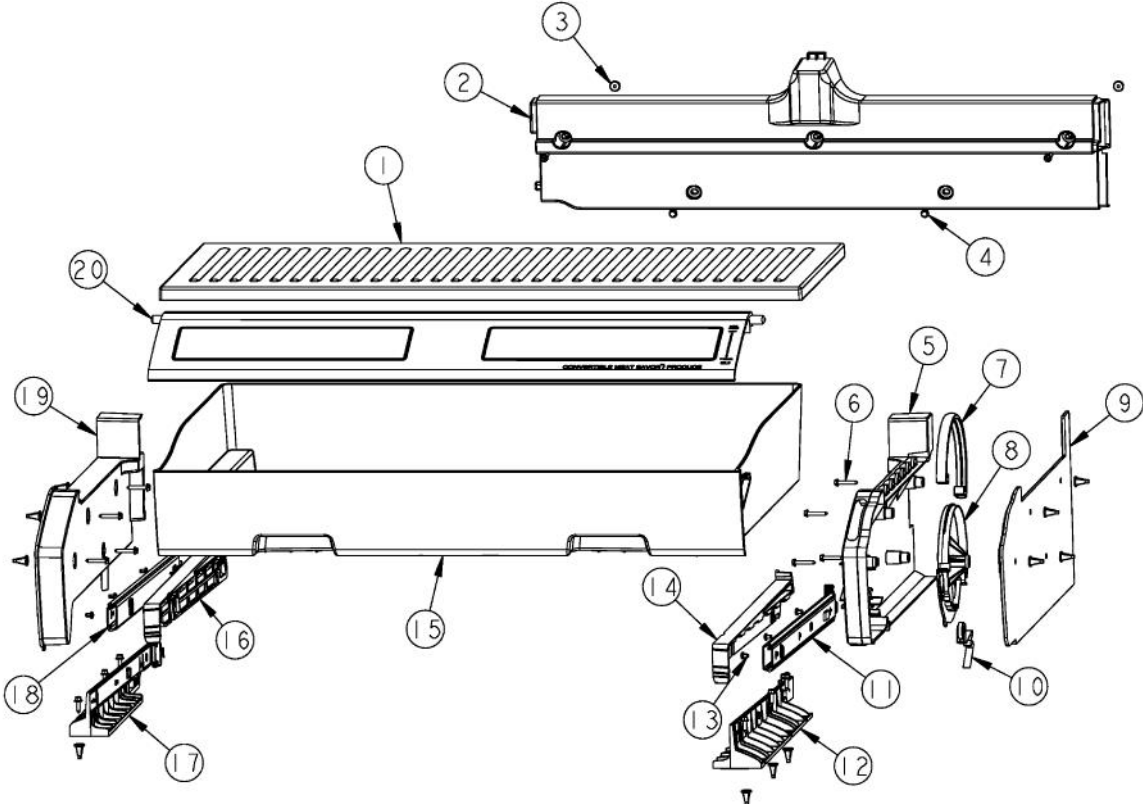


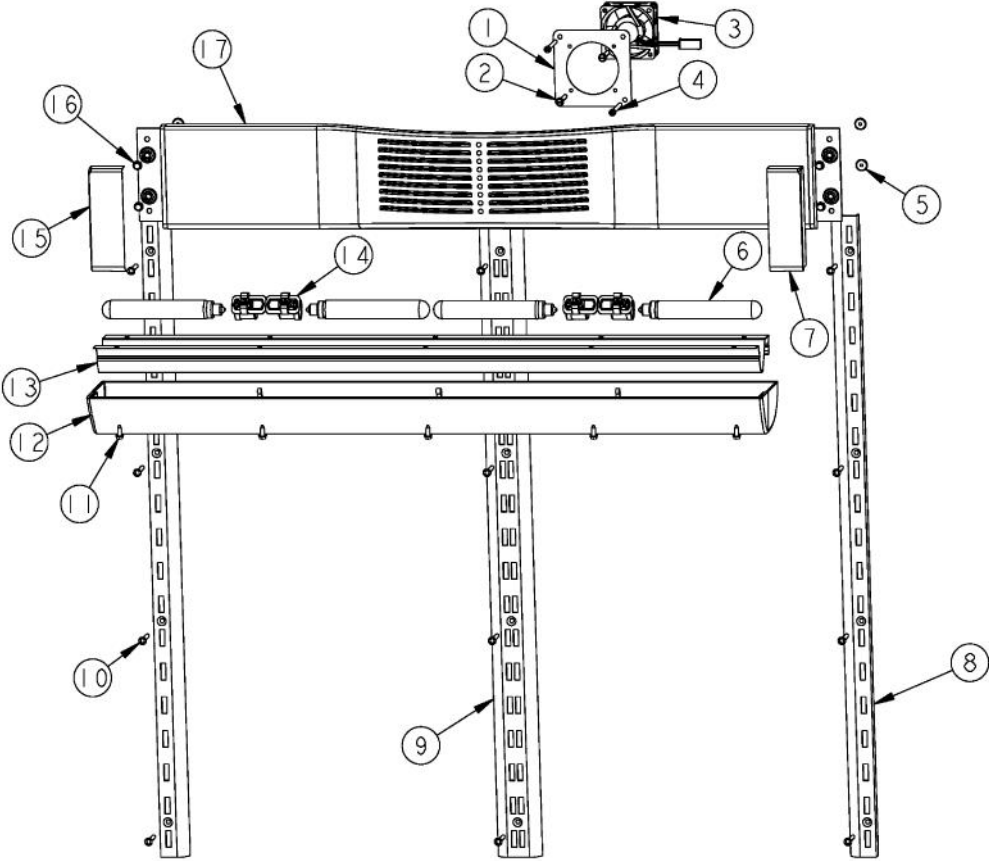
Ref #	Part Number	Qty.	Description
1	PM910351		SHELF ASM GLASS BM 36 FF
2	PRODUCE DRAWER		FOR BREAKDOWN SEE PAGE 002
3	ConvertibleMeatSa.		FOR BREAKDOWN SEE PAGE 003



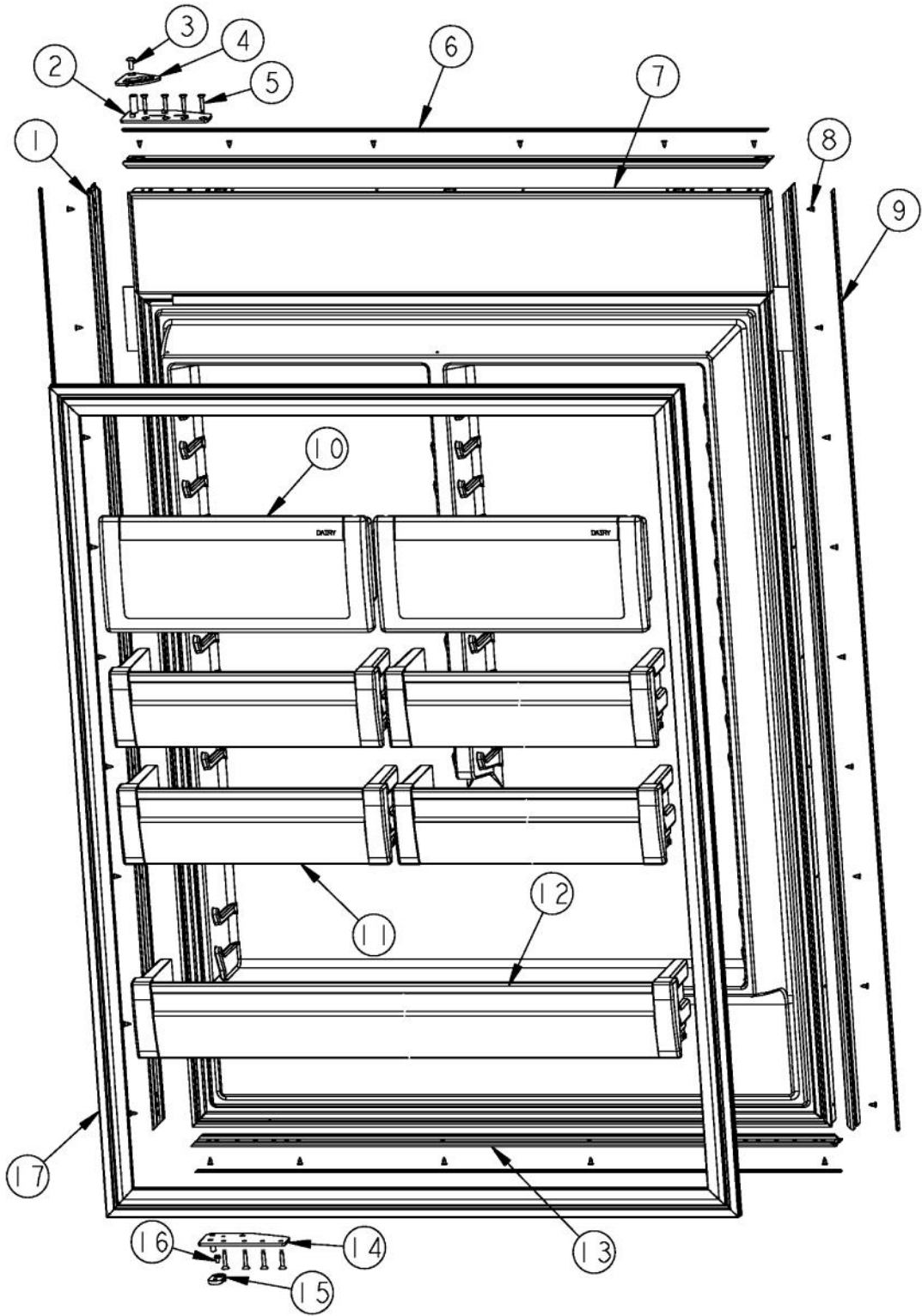
Ref #	Part Number	Qty.	Description
1	PM010530		SHELF ASM GLASS 36 AR 36 BM
2	PD020032		SRW-8(A)X3/8PH.WFR HD 7/16DIA XNCL
3	PK930290		SUPPORT SLIDE R
4	12046701		CRISPER RAIL WELD
5	PK030439		GLIDE CENTER SUPPORT
6	PM910343		RAIL DRAWER R
7	PK930277		DRAWER PRODUCE ASM AR/BM 36
8	PD920162		SCR 8-16 PLASTITE PNP 1/4 S
9	PM910342		RAIL DRAWER L
10	PK930291		SUPPORT SLIDE L
11	PD920161		SCR 8-16 PLASTITE PNP 3/8 S
12	PM910388		SLIDE DRAWER (R & L)



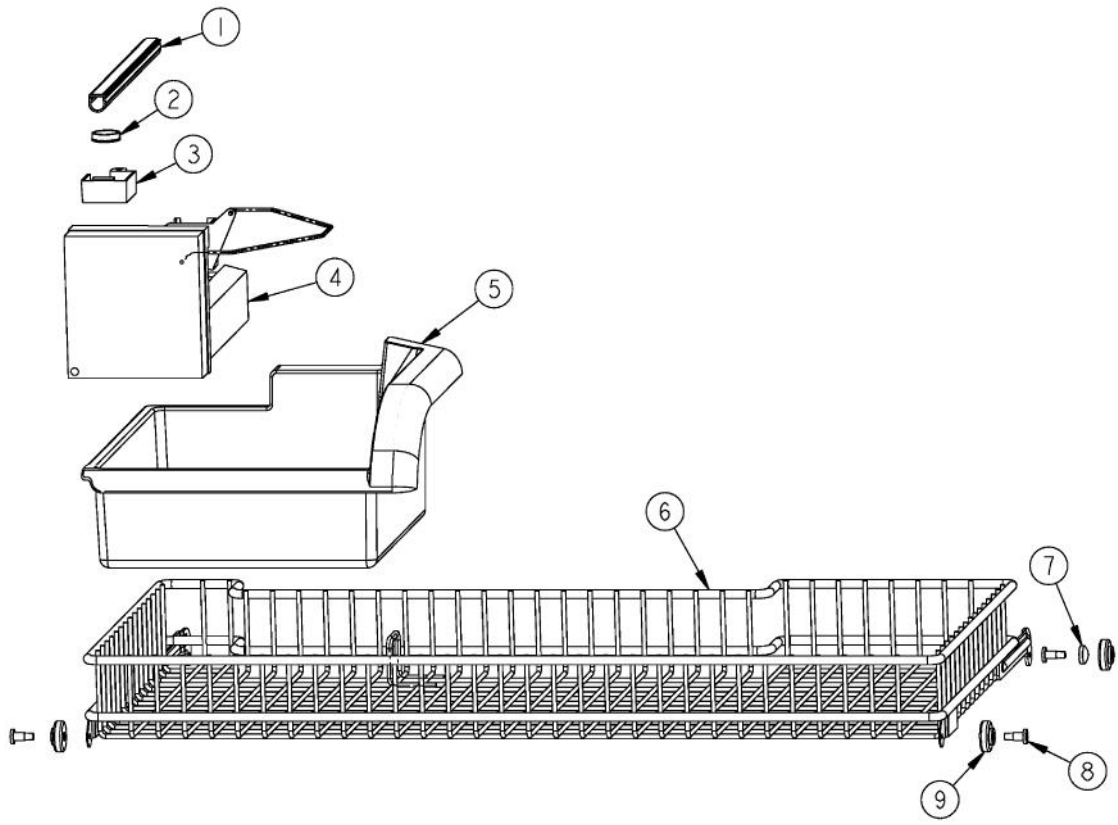
Ref #	Part Number	Qty.	Description
1	PK930286		SHELF MEATSAVOR AR/BM 36
2	PK930388		DUCT, MEATSAVOR REAR BM 36
3	M0581001		GROMMET-SCREW
4	PD020195		SCR 8-18 X 5/8
5	PK930169		DUCT MEAT SAVOR SXS 42/48 R
6	M0211021		SCREW-SM
7	PK930172		COVER CONTROL MEAT SAVOR
8	PK930168		DIAL CONTROL MEAT SAVOR
9	PK930283		DUCT MEATSAVOR SPACER
10	PM910334		ROLLER TENSION
11	PM910287		SLIDE MEAT SAVOR R
12	PK930173		SUPPORT SLIDE MEAT SAVOR SXS 42/48 R
13	PD920162		SCR 8-16 PLASTITE PNP 1/4 S
14	PK930175		SUPPORT DRAWER MEAT SAVOR SXS 42/48 R
15	PK930278		DRAWER MEAT SAVOR AR BM 36
16	PK930176		SUPPORT DRAWER MEAT SAVOR 42/48 L
17	PK930174		SUPPORT SLIDE MEAT SAVOR SXS 42/48 L
18	PM910288		SLIDE MEAT SAVOR L
19	PK930284		DUCT MEATSAVOR LEFT
20	V12223207		SUB TO 000368-000 - DELI LID ASSY 36 BM



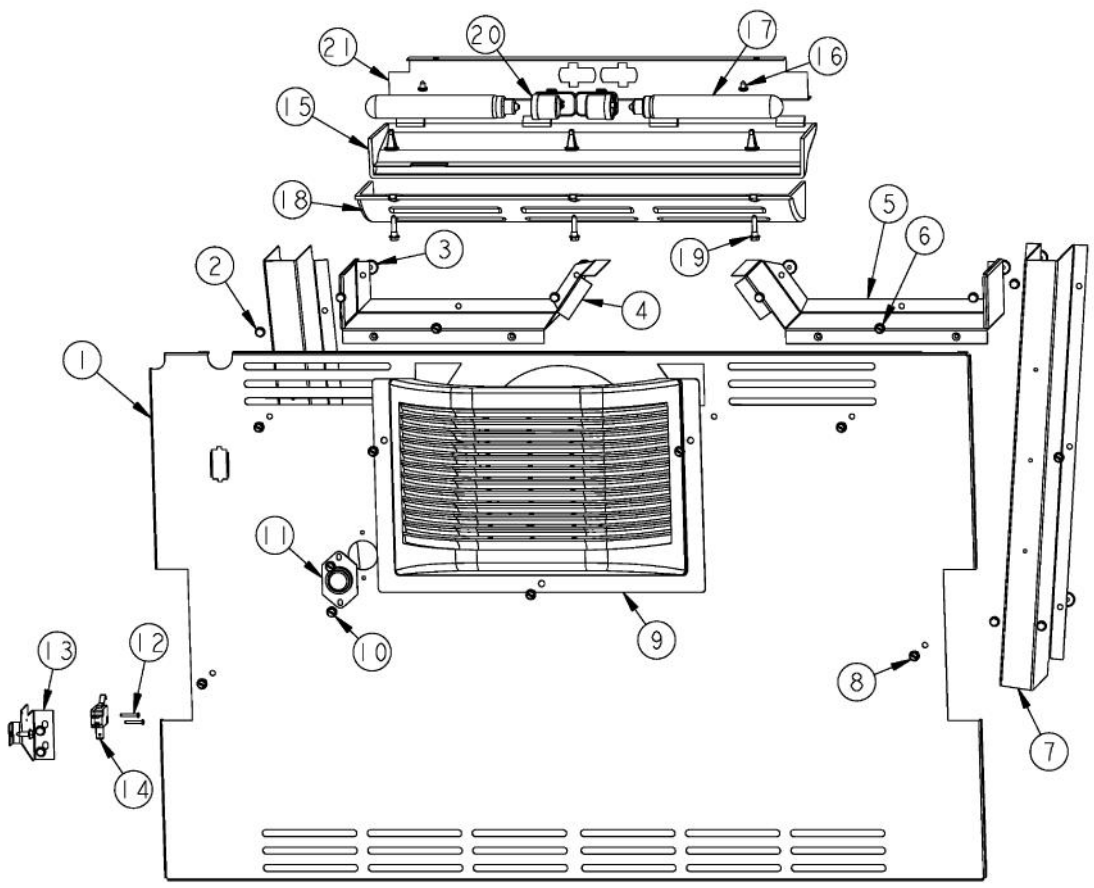
Ref #	Part Number	Qty.	Description
1	K2096475		PLATE-FAN MNT 12404701
2	PD020188		SCR 8-18 BT HXWS 1 1/2
3	000732-000		FRESH FOOD FAN - 1.2 W
4	M0221913		SCREW-SM
5	M0581001		GROMMET-SCREW
6	A3079001		LAMP - 40W
7	12070201		CAP-R FAN COVER V12070201
8	PK020074		LADDER SIDE BTM 36
9	12071501		LADDER-CTR CANT V12071501
10	M0238535		SCREW-SM
11	PD020194		SCREW-SM
12	PK930267		COVER LIGHT ASM AF AR BM 36
13	L20910705		BRACKET LIGHT AR 36
14	PE950125		LIGHT SOCKET
15	12070202		CAP-L FAN COVER V12070202
16	PD020195		SCR 8-18 X 5/8
17	12067401		FAN COVER



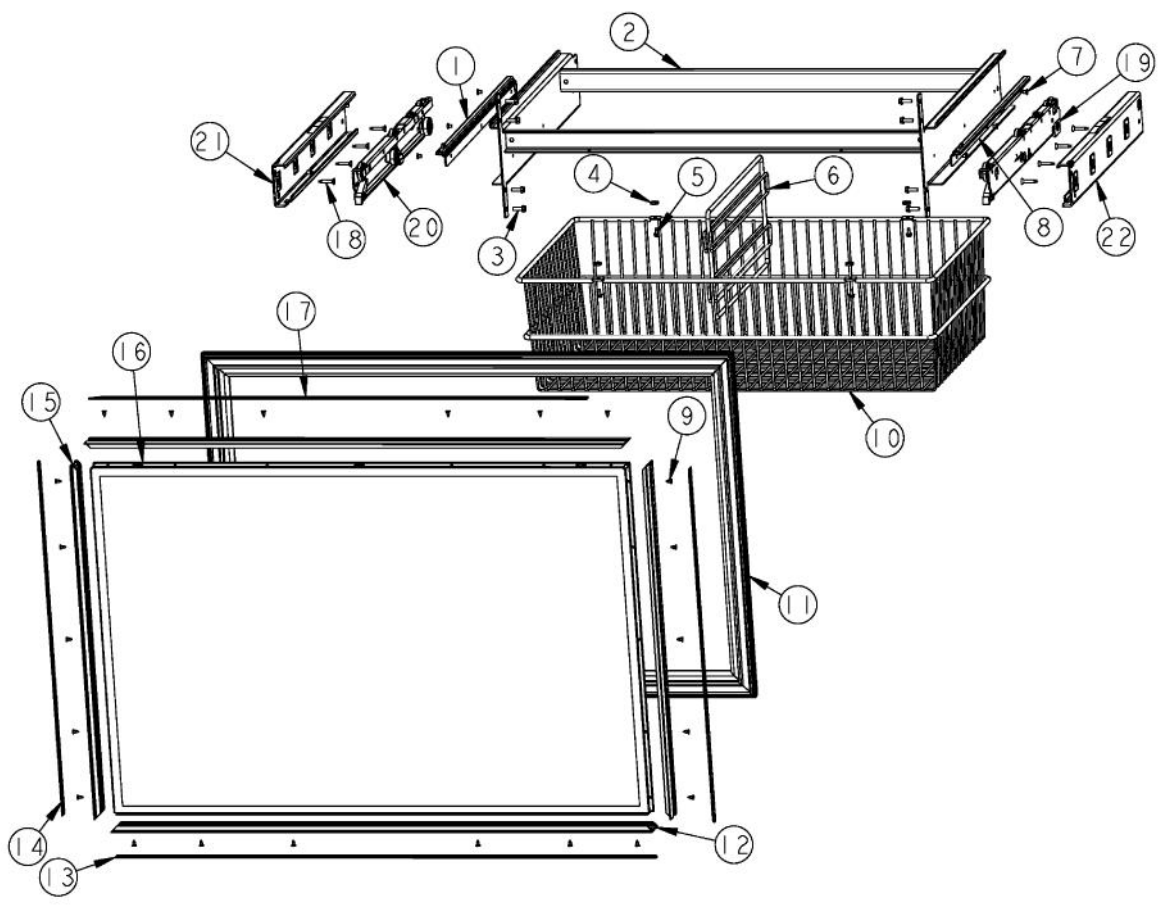
Ref #	Part Number	Qty.	Description
1	PM910101		FRAME DOOR BM FF SIDE 12063503
2	PC020284		PIVOT PL ASM RH UP FOL
2	042386-000	1	FOL RH, 4 HOLE PIVOT PLATE KIT (MANUFACTURED AFTER 8/23/2006)
2	PC020285		PIVOT PL ASM LH UP FOL
2	042385-000	1	FOL LH, BM 4 HOLE PIVOT PLATE KIT (MANUFACTURED AFTER 8/23/2006)
3	PD020234		SCREW THP 10-32 X .500 SS BO
4	PC020269		DOOR STOP 36 BM
5	PD920174		10-32 TORX HEAD SCREW
6	PM910094		INSERT 36 BM TOP/BTM
7	G32915034		DOOR ASM 36BM FF (INCLUDES GASKET)
8	M0215704		SCREW-SM
9	PM910096		INSERT 36 BM FF SIDE
10	V12097404		DAIRY MODULE ASM
11	G5099298		DOOR BIN ASM FF 36 BM AND AR HALF
12	G5099297		DOOR BIN ASM FF 36 BM AND AR FULL
13	PM010609		TRIM DOOR 36 TOP BOT FOL
14	PC020286		PIVOT PL ASM RH LW FOL
	PC020287		PIVOT PL ASM LH LW FOL
15	PC020296		CAM DOOR CLOSURE TOP BLACK
16	PD020187		SCR 8-32 MCH HXWS 1/4 S ZN
17	PB070326	1	DOOR GASKET (BEFORE 06-10-08)
17	005449-000	1	GASKET, ASM, 36, FF (AFTER 06-10-08)



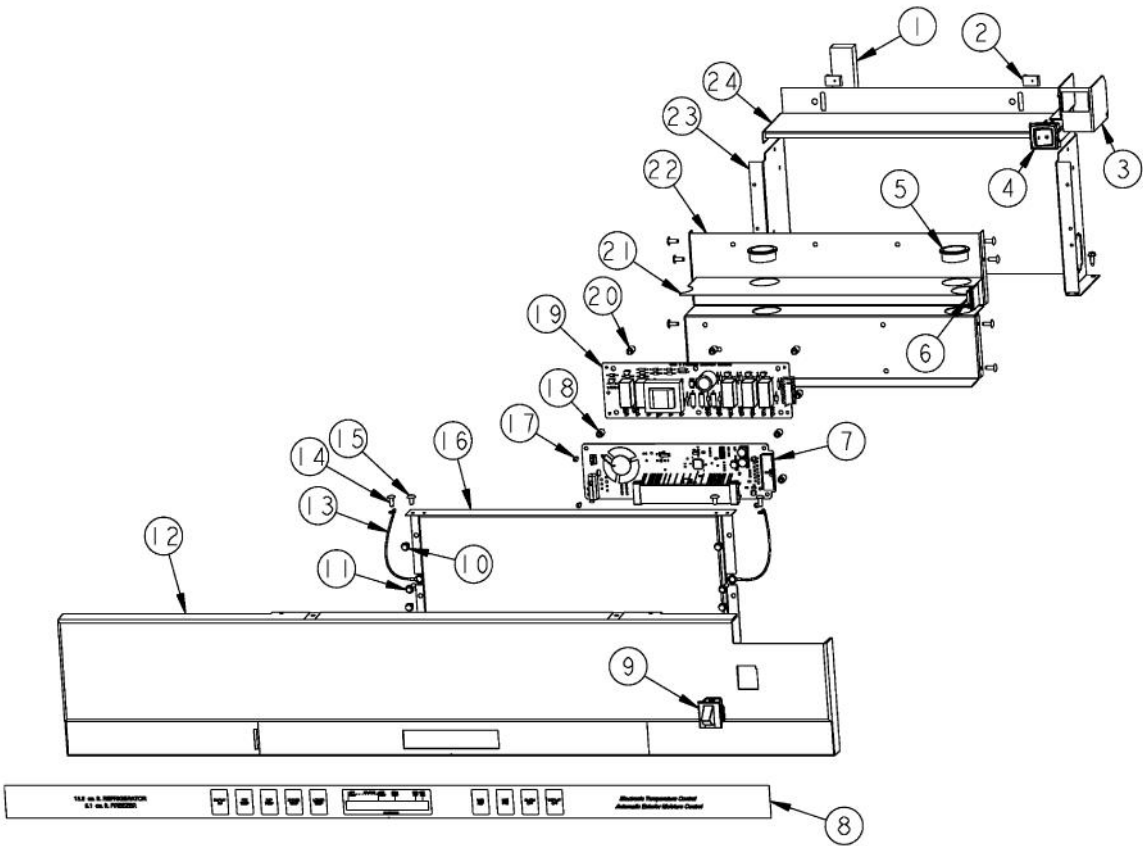
Ref #	Part Number	Qty.	Description
1	10253003		WIRING COVER
2	A4554818		BUSHING-SNAP VA4554818
3	12106101		COVER-WIRING V12106101
4	G50911850		ICE MAKER ASSY, BM
5	PK930056		PAN ICE
6	PM010630		TOP BASKET
7	PD020270		CAP, SCREW
8	PD020189		SHSCR 12/28 AB SKT .641
9	12088001		ROLLER-UP BSKT V12088001



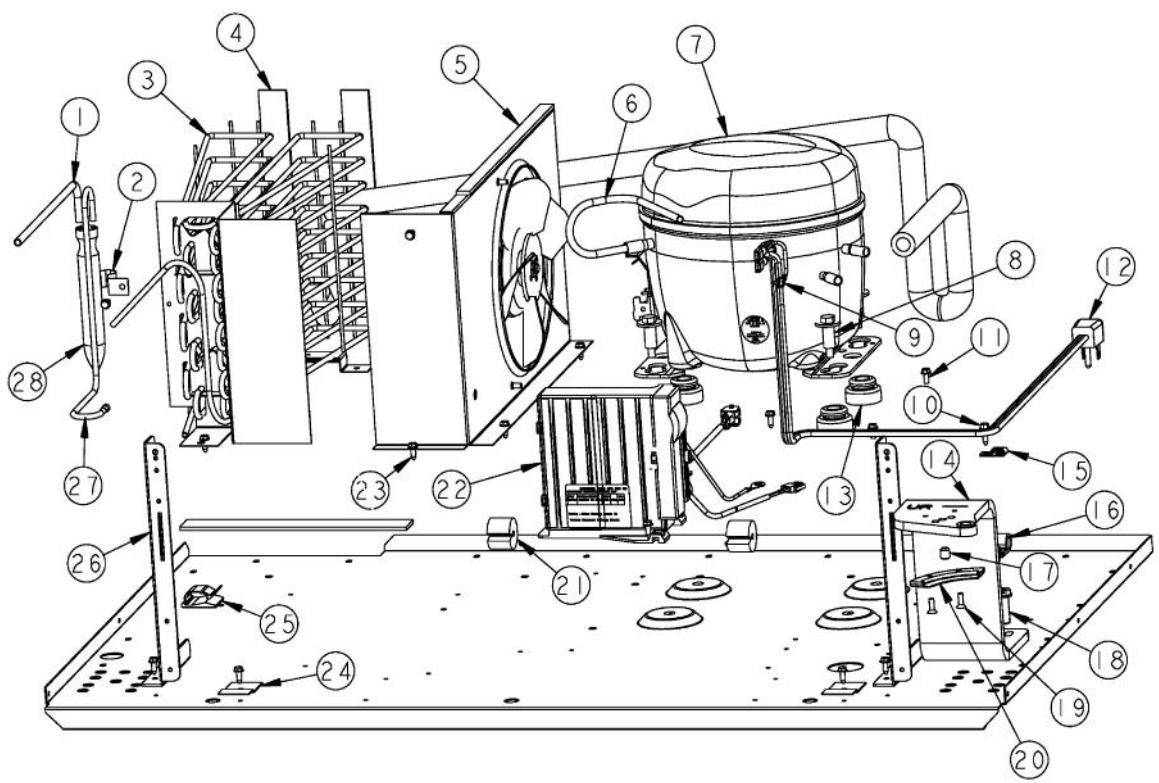
Ref #	Part Number	Qty.	Description
1	000247-000		COVER, EVAP, BM
2	PD020194		SCREW-SM
3	M0581001		GROMMET-SCREW
4	K2097168		BRKT DIVIDER L
5	K2097169		BRKT DIVIDER R
6	M0232929		SCREW-SE
7	K2097172		RETURN AIR CHANNEL
8	M0211018		SCREW-SM
9	12063301		FREEZER FAN COVER
10	M0211014		SCREW-SM
11	C8983701		THERMISTOR
12	M0213105		SCREW-SM
13	K2098398		36 BM SWITCH MOUNTING BRKT
14	003471-000		SWITCH SNAP-ACTION BM 36
15	12074501		COVER-FZ LIGHT
16	M0223729		SCREW-SM
17	A3079001		LAMP - 40W
18	PK930253		LENS LIGHT BM 36 FZ
19	M0238846		SCREW-SHLDR
20	PE950125		LIGHT SOCKET
21	L2098313		BRACKET, LT, 36 BTM, FZ



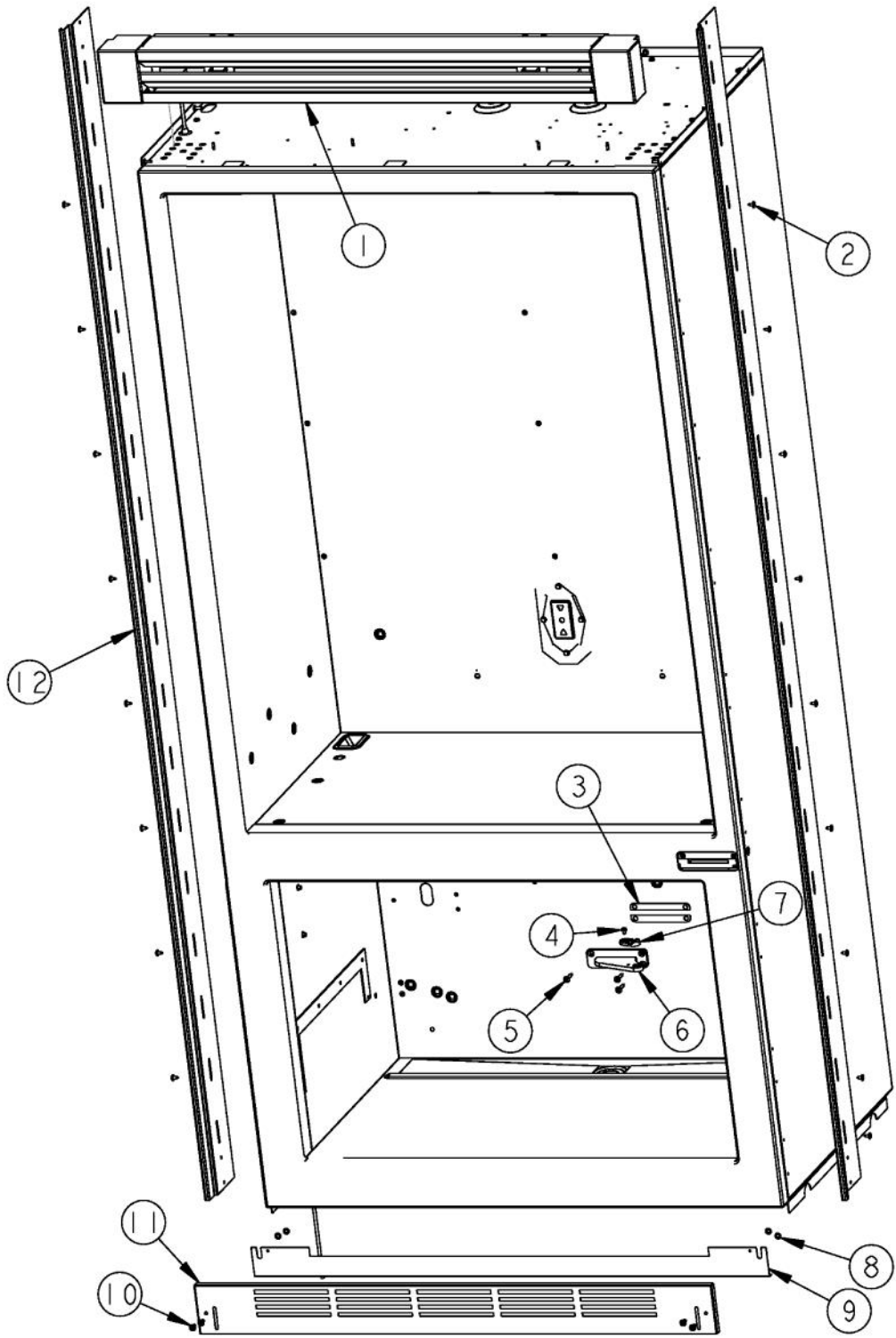
Ref #	Part Number	Qty.	Description
1	PC080027		INNER MEMBER, SLIDE BM 36 (LH)
2	PM010622		FRAME BASKET ASM 36 BM
3	M0238731		SCREW-SM
4	M0274067		WASHER-NYLON
5	M0253916		SCREW-TF
6	003995-000		DIVIDER, BOT BASKET
7	001091-000		NO.8-32X1/4 FLAT PHIL HD TAPTITE
8	PC080030		INNER MEMBER, SLIDE BM 36 (RH)
9	M0215704		SCREW-SM
10	PM910172		BASKET BOTTOM 36 BM FZ
11	PB070325	1	DOOR GASKET (BEFORE 06-10-08)
11	005450-000	1	GASKET,ASM,36,BM FZ (ON OR AFTER 06-10-08)
12	PM910099		FRAME DOOR BM TOP/BTM 12063501
13	PM910094		INSERT 36 BM TOP/BTM
14	PM910095		INSERT 36 BM FZ SIDE
15	PM910100		FRAME DOOR BM FZ SIDE 12063502
16	G50916475		DOOR FOAM AND GASKET ASSY 36 BM FZ (INCLUDES GASKET)
17	PM910108		INSERT 36 BM FZ TOP 12063712
18	PD920174		10-32 TORX HEAD SCREW
19	PC080026		MIDDLE MEMBER, SLIDE BM 36 (LH)
20	PC080029		MIDDLE MEMBER, SLIDE BM 36 (RH)
21	PC080028		OUTER MEMBER, SLIDE BM 36 (RH)
22	PC080025		OUTER MEMBER, SLIDE BM 36 (LH)



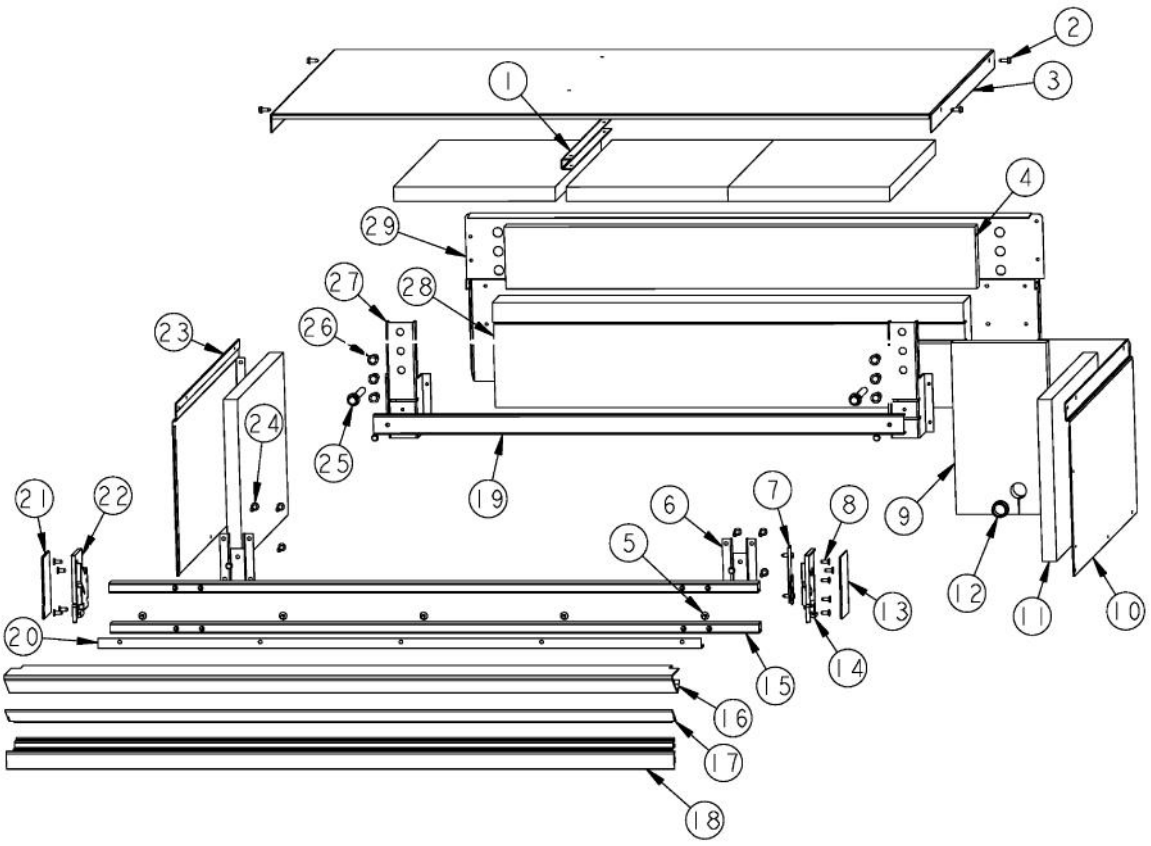
Ref #	Part Number	Qty.	Description
1	A3030361		GASKET, RED
2	M0288120		NUT-SPEED, VM0288120
3	K2098654		BRACKET SWITCH POWER
4	PE950149		SWITCH POWER
5	A4554817		BUSHING-SNAP VA4554817
6	M0104106		CLIP-CORD VM0104106
7	PE070728		BOARD LOW VOLTAGE
8	PE950174		OVERLAY SWITCH BTM 36
9	PE950122		SWITCH
10	PD020194		SCREW-SM
11	M0238846		SCREW-SHLDR
12	PK030458		PANEL CONTROL AR 36 R
	PK030459		PANEL CONTROL AR 36 L
13	12064001		SUPP-CONT PANEL
14	PC040010		POP RIVET
15	M0224128		SCREW-SM
16	K20910061		CONTROL BOX FRONT
17	PD020013		TYPE AB NO.6 X 3/8 PH PAN HD. SMS
18	M0585506		SUPPORT
19	PE970463		POWER CONTROL BOARD
20	M0585504		SUPPORT
21	005396-000		FILM,PROTECTIVE
22	K20910060		BRACKET - PC
23	K2099402		CONTROL BOX
24	K20915000		CONTROL BOX TOP



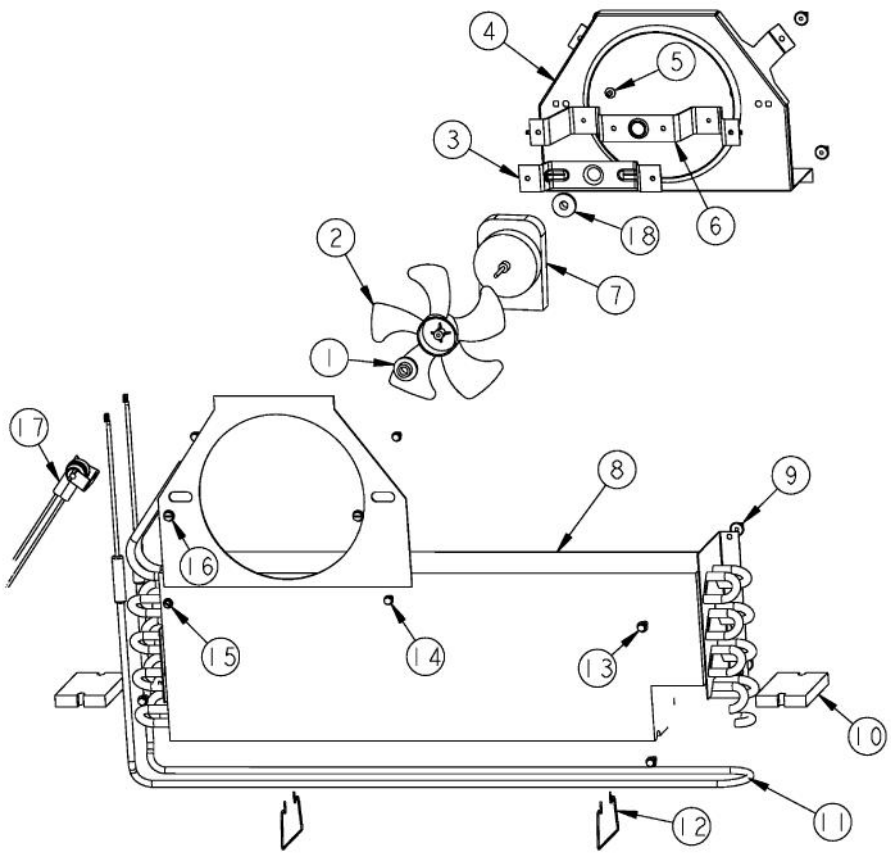
Ref #	Part Number	Qty.	Description
1	F2097740		TUBE PROCESS
2	10547001		CLIP-DRIER V10547001
3	PB920171		CONDENSER ASM
4	A3189370		GASKET-FOAM VA3189370
5	G5096494		COND. FAN ASSY
6	F2096507		TUBE-PROCESS GRN
7	G5097976		COMPRESSOR ASSEMBLY (363 AND 483)
8	M0221523		SCREW - SHLDR
9	M0211014		SCREW-SM
10	PD020195		SCR 8-18 X 5/8
11	PD020010		10 X 3/8 GREEN GROUNDING SCREW
12	10916507		TUBE-PROCESS GRN
13	10835901		GROMMET RUBBER V10835901
14	PC020238		COBRA HINGE ASM 36 BM UR
	PC020256		PLATE HINGE ASM 36 BM UL
15	002573-000		CLAMP CORD
16	PD030118		SCREW - SHLDR
17	PC020242		SCR HEX SCKT SET .3125-18 CUP PT .375 LG
18	000570-000		HEX SCREW
19	PD020226		SCREW FHP 8-32 X .500 SS BO
20	PK030477		RETAINER DOOR PIVOT
21	10699601		DAMPER-TUBING .8
22	PE070849		INVERTER
23	PD020194		SCREW-SM
24	K2096943		PANEL BRACKET
25	M0104102		CLIP-CORD RED
26	K20912569		BRACKET GRILLE SUPPORT
27	F2096669		TUBE-DRIER COND
28	PM010616		DRIER, SVRC



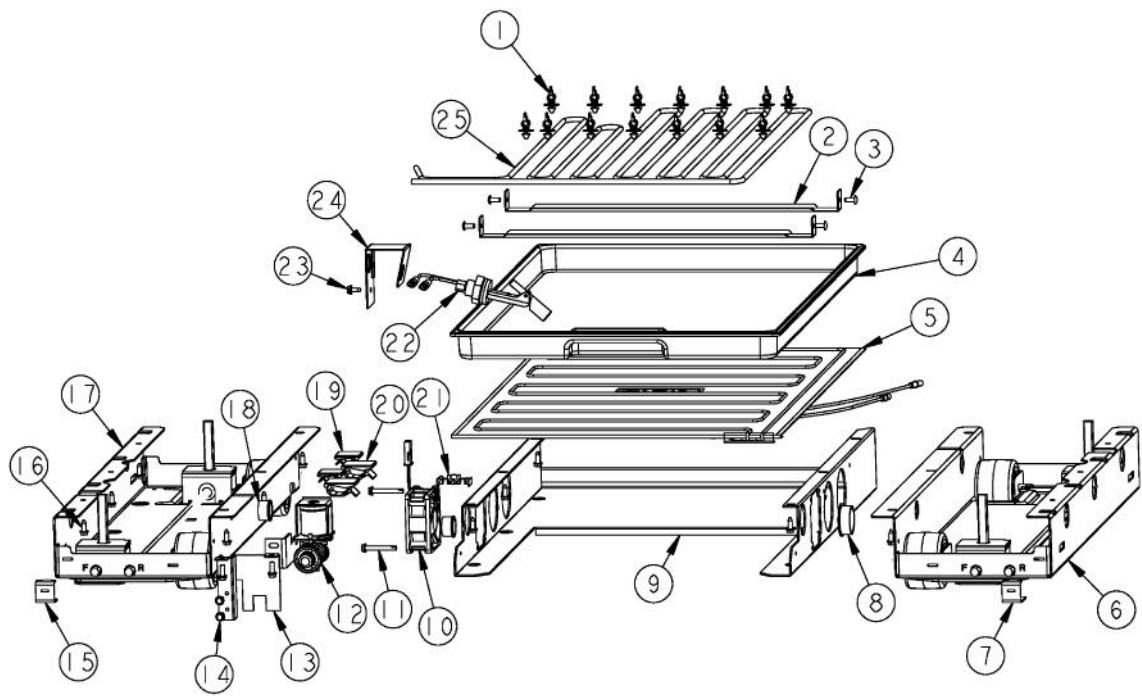
Ref #	Part Number	Qty.	Description
1	G32913048		GRILLE ASM BM 36 FOL L (FOR BREAKDOWN SEE PAGE 012)
	G32913047		GRILLE ASM BM 36 FOL R (FOR BREAKDOWN SEE PAGE 012)
2	M0210417		SCREW, SS SM
3	K10911852		SHIM-CENTER HINGE
4	PD020187		SCR 8-32 MCH HXWS 1/4 S ZN
5	PD920174		10-32 TORX HEAD SCREW
6	PC020250		HINGE ASM, LOWER, BM, RH (PRO/DES)
	PC920040		RC LOWER HINGE ASSY, LH DFBB
7	PC020228		CAM DOOR CLOSURE BOTTOM BLACK
8	40370P01		NYLON FLAT WASHER V40370P01
9	000147-002		KICKPLATE, LWR
10	M0210443		SCREW-E SM
11	C9099972BK		TOE GRILLE-VENTED BM 36
NI	G50915600		GRILLE TOE ASM BM 36 (INCLUDES ITEMS 8 - 11)
12	PK920066		SIDE TRIM



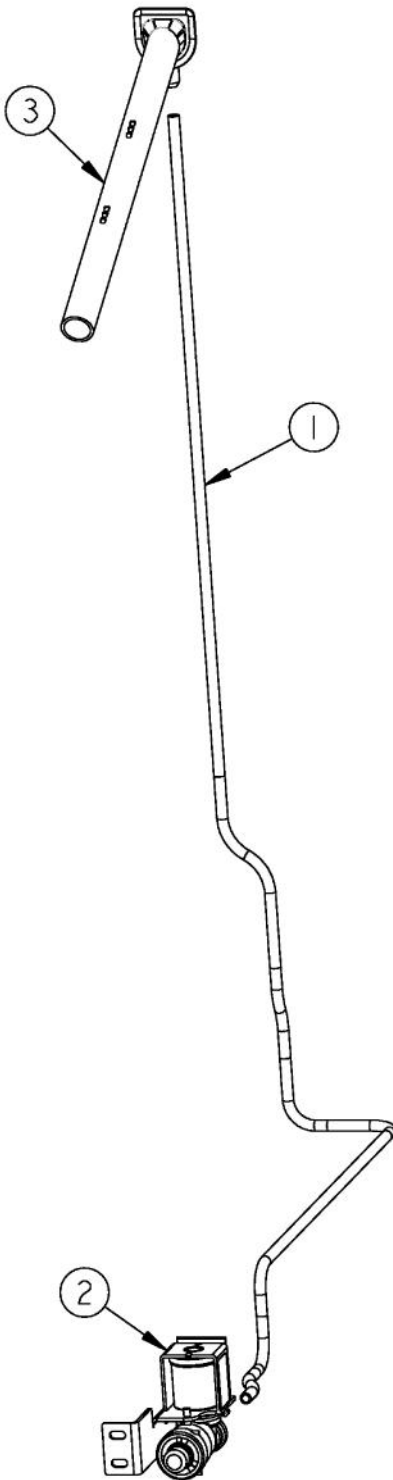
Ref #	Part Number	Qty.	Description
1	K2099455		SUPPORT MC Z
2	PD020194		SCREW-SM
3	K2099931		MC TOP 36
4	PB070358		INSULATION MC COVER
5	M0224128		SCREW-SM
6	PK050004		BRACKET GRILLE
7	K2099470		BRACKET GRILLE SUPPORT R
	K2099471		BRACKET GRILLE SUPPORT L
8	M0215318		SCREW-SM
9	PB910171		BACK SIDE MC INSULATION
10	K2099459		MC SIDE R
11	PB070355		INSULATION MC COVER
12	A4554806		BUSHING-SNAP VA4554806
13	PM910072		COVER - END CAP 12119802
14	PM910348		ENP CAP GRILLE R
15	PM910505		GRILLE SPACER 36 FOL
16	PM910418		GRILLE LOUVER UPPER AF AR 36 DES FOL
17	PM910429		GRILLE LOUVER MID AF AR 36 DES FOL
18	PM010581		GRILLE LOWER 36 BM RH
19	K20915902		CROSSMEMBER PSM 36
20	002035-000		GRILLE EXTENSION, BM36
21	PM910071		COVER - END CAP 12119801
22	PM910349		END CAP GRILLE L
23	K2099460		MC SIDE L
24	M0213147		SCREW-SM
25	PD020233		SCR LAG 5/16-9 GX 5/16X7/16 WAF IHXW 3 S ZN
26	PD040157		BEARING SLEEVE
27	K20915675		BRACKET PSM
28	PB070359		INSULATION MC COVER
29	K2099933		MC BACK 36



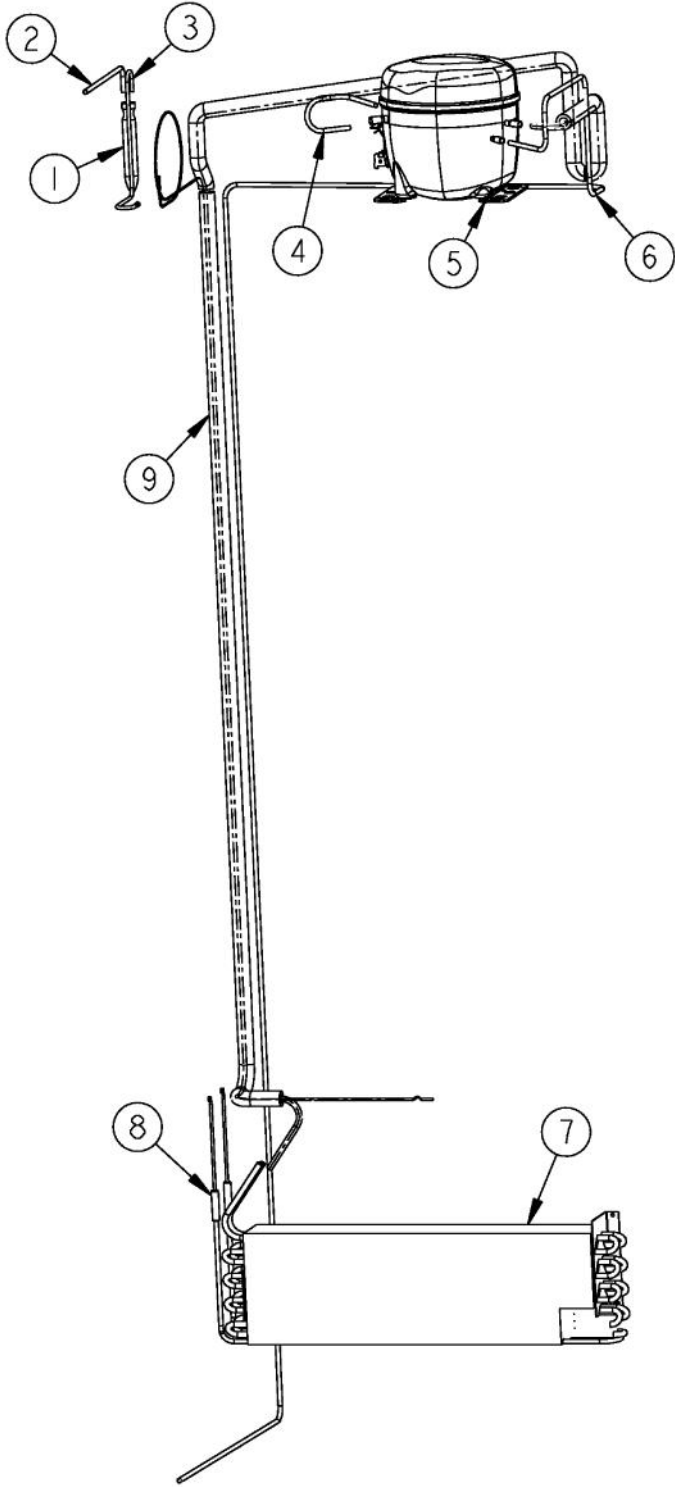
Ref #	Part Number	Qty.	Description
1	A1017202		GROMMET-FAN VA1017202
2	12059901		FAN-EVAP/5.250 V12059901
3	L21910017		BRACKET FAN EVAP
4	PM910168		SHROUD EVAP FAN BM
5	PD020193		SCR 8-18 X 3/8
6	10656101		BRKT-MTR UP STEEL V1065601Q
7	PE950153		MOTOR EVAP FAN
8	PM910178		BOTTOM MOUNT EVAP
9	M0581001		GROMMET-SCREW
10	12067301		BLOCK-L EVAP V12067301
11	PJ910030		BOTTOM MOUNT EVAP HEATER
12	10428101		CLIP-EVAP HTR V10428101
13	PD020195		SCR 8-18 X 5/8
14	PD020194		SCREW-SM
15	M0232929		SCREW-SE
16	PD020038		SCREW-NO.10 X 3/8 HEX WH.HD.T(F)GREEN
17	PB910259		THERMOSTAT DEFROST TERMINATOR



Ref #	Part Number	Qty.	Description
1	PD030146		STAND OFF LOCK CLIP
2	K20911831		BRACKET CONDENSATE SUPPORT
3	PC040010		POP RIVET
4	PK930348		PAN DRAIN
5	G50914125		TRAY PAN HEATER
6	PM910398		LEVELER ASSEMBLY - R
7	K2098044		BRKT GRILLE SUPPORT
8	A4554817		BUSHING-SNAP VA4554817
9	K20915952		SHIELD BOTTOM DRAIN
10	000731-000		AXIAL FAN
11	PD020274		SCR SLTD HEX WSHR HD 8X1.250 BT
12	PA970012		SINGLE WATER VALVE
13	K20913788		BRKT VALVE H2O SINGLE
14	M0220417		SCREW-TC
15	K2098096		BRKT GRILLE SUPPORT
16	PD020194		SCREW-SM
17	PM910399		LEVELER MODULE L
18	A4554806		BUSHING-SNAP VA4554806
19	M0104106		CLIP-CORD VM0104106
20	M0104102		CLIP-CORD RED
21	M0327801		SPLICE TAP
22	PE050248		FLOAT SWITCH HORIZONTAL
23	M0253916		SCREW-TF
24	B20915627		BRACKET HORIZ FLOAT SWITCH
25	F20915696		SERPENTINE CONDENSER DRAIN



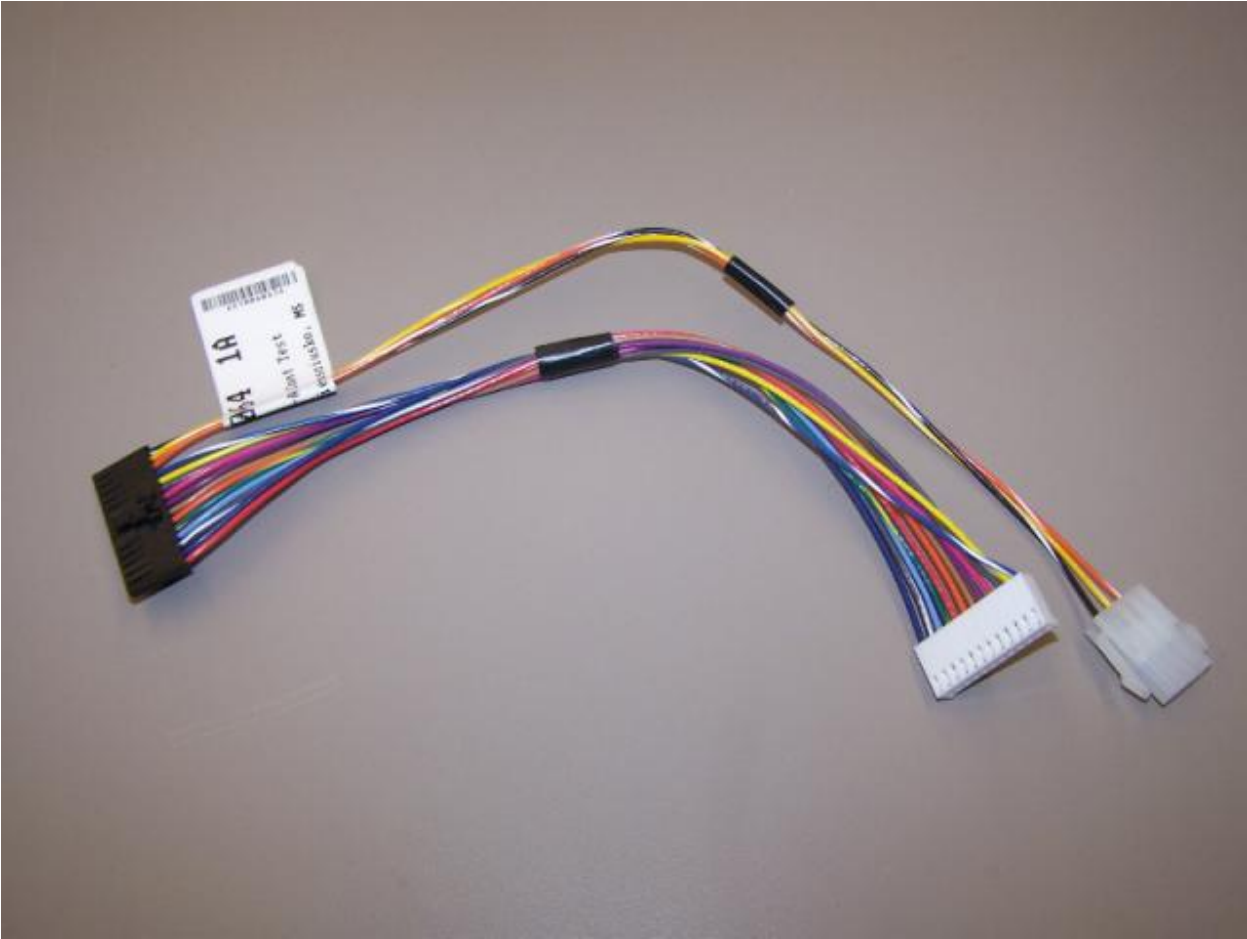
Ref #	Part Number	Qty.	Description
1	PB020305		PLASTIC TUBING-IM WATERLINE BM
2	PA970012		SINGLE WATER VALVE
3	009216-000		FILL TUBE BM



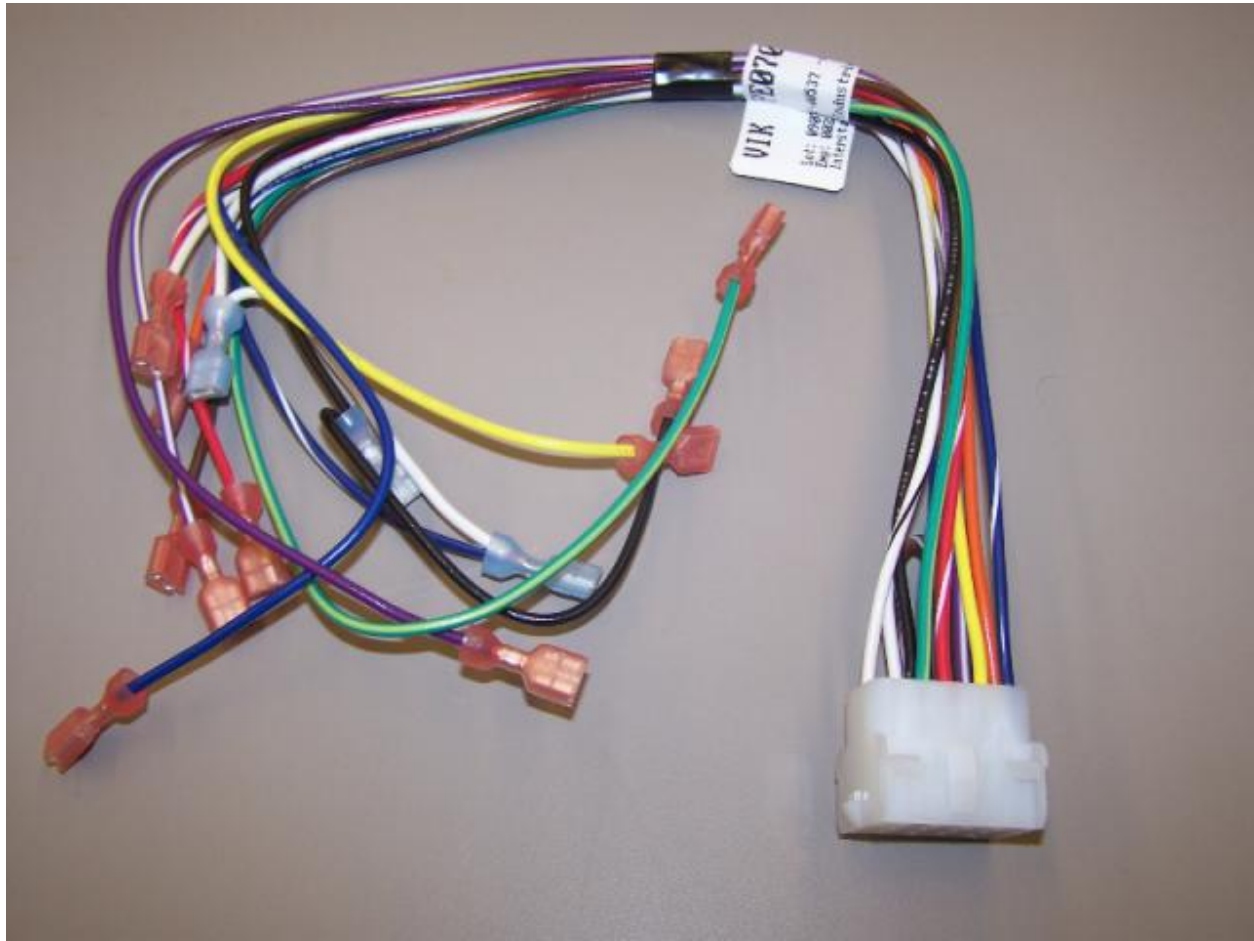
Ref #	Part Number	Qty.	Description
1	PM010616		DRIER, SVRC
2	F2097740		TUBE PROCESS
3	F2096669		TUBE-DRIER COND
4	F2096507		TUBE-PROCESS GRN
5	G5097976		COMPRESSOR ASSEMBLY (363 AND 483)
6	001022-000		TUBE DISCHARGE BM 36
7	PM910178		BOTTOM MOUNT EVAP
8	PJ910030		BOTTOM MOUNT EVAP HEATER
9	PB920154		HEAT EXCHANGER ASM BM 36



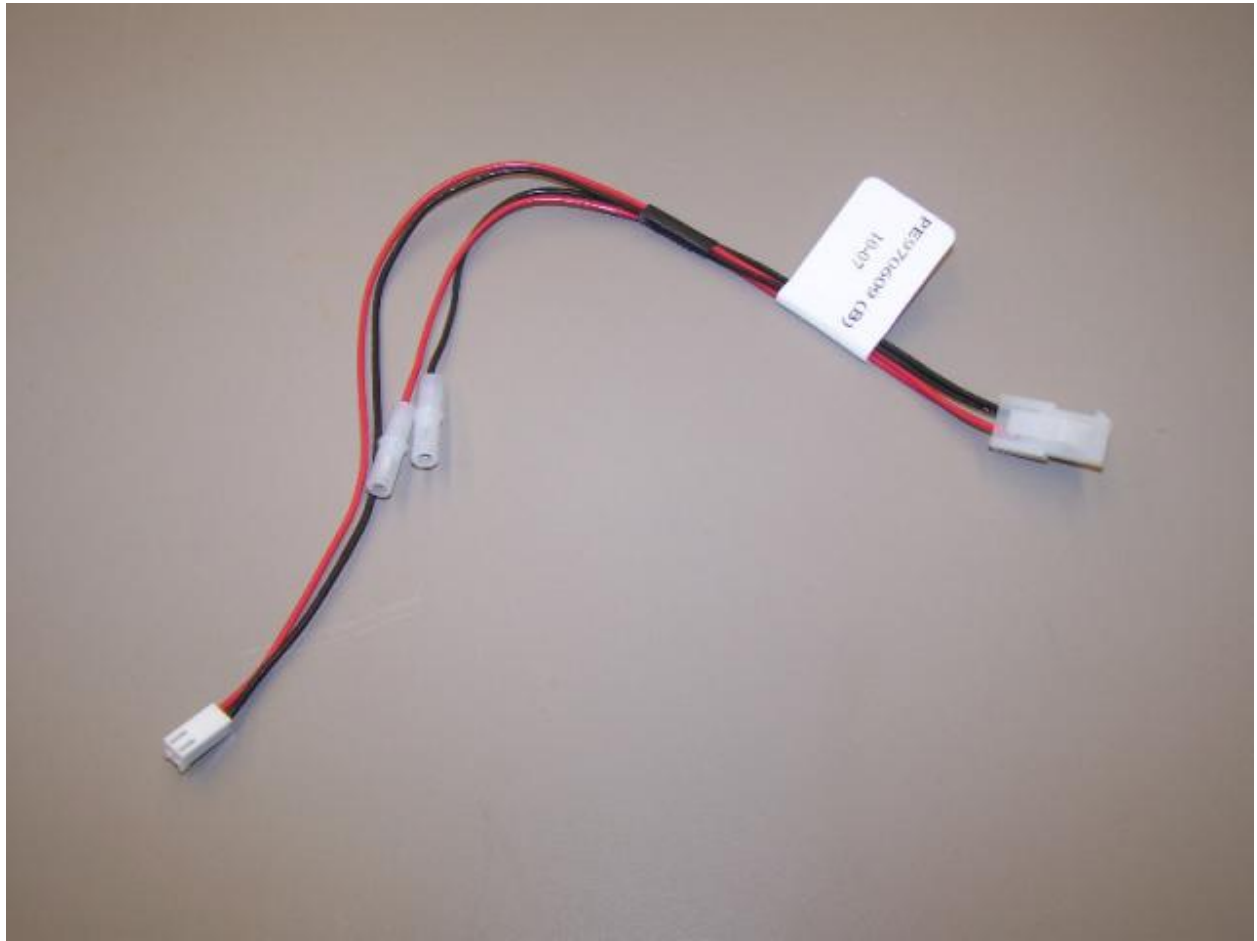
Ref #	Part Number	Qty.	Description
1	PE970593		CABINET HARNESS



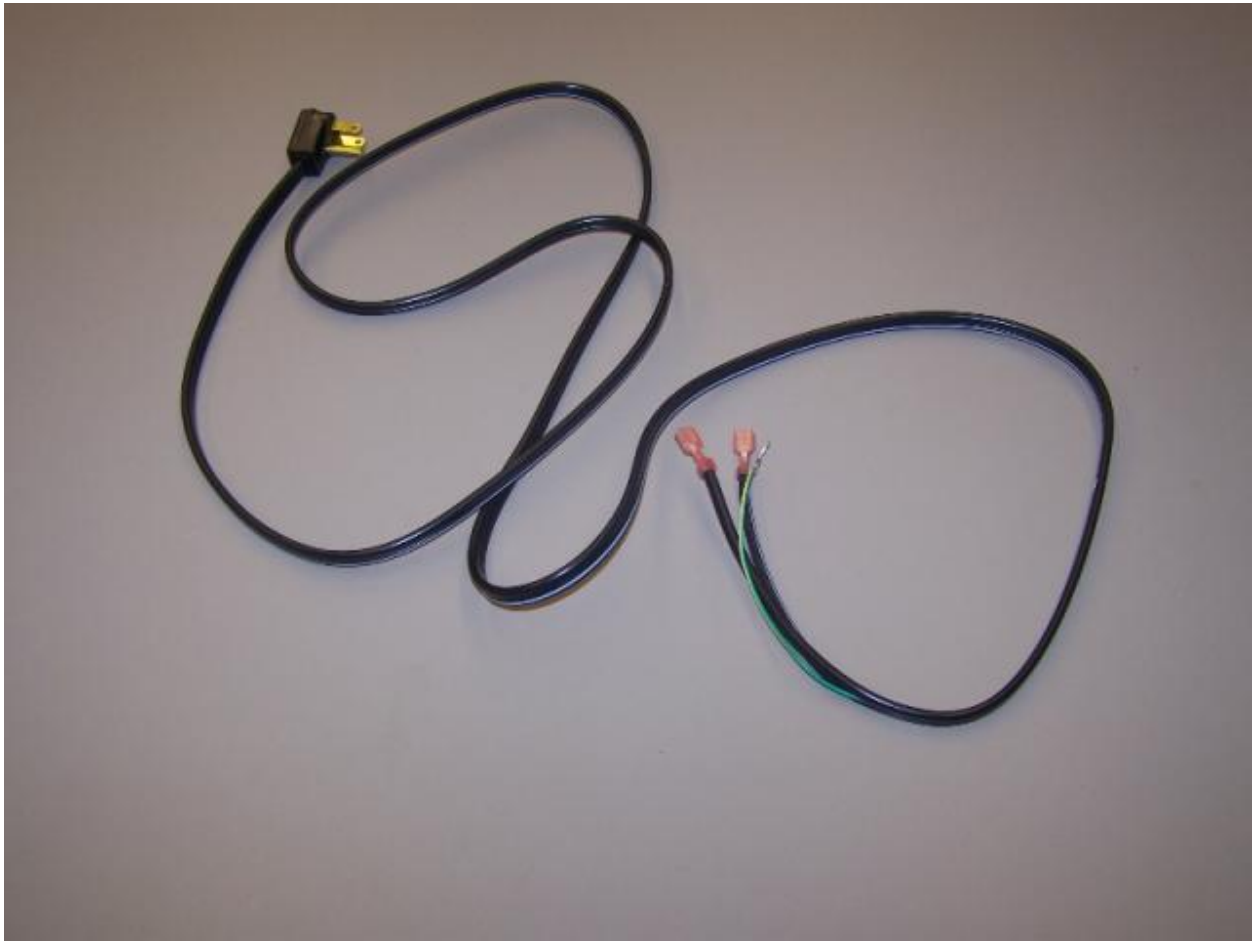
Ref #	Part Number	Qty.	Description
1	PE970464		HARNESS LOW VOLT



Ref #	Part Number	Qty.	Description
1	PE070785		HARNESS HIGH VOLT



Ref #	Part Number	Qty.	Description
1	PE970609		HARNESS CONTROL BOARD



Ref #	Part Number	Qty.	Description
1	10916507		TUBE-PROCESS GRN