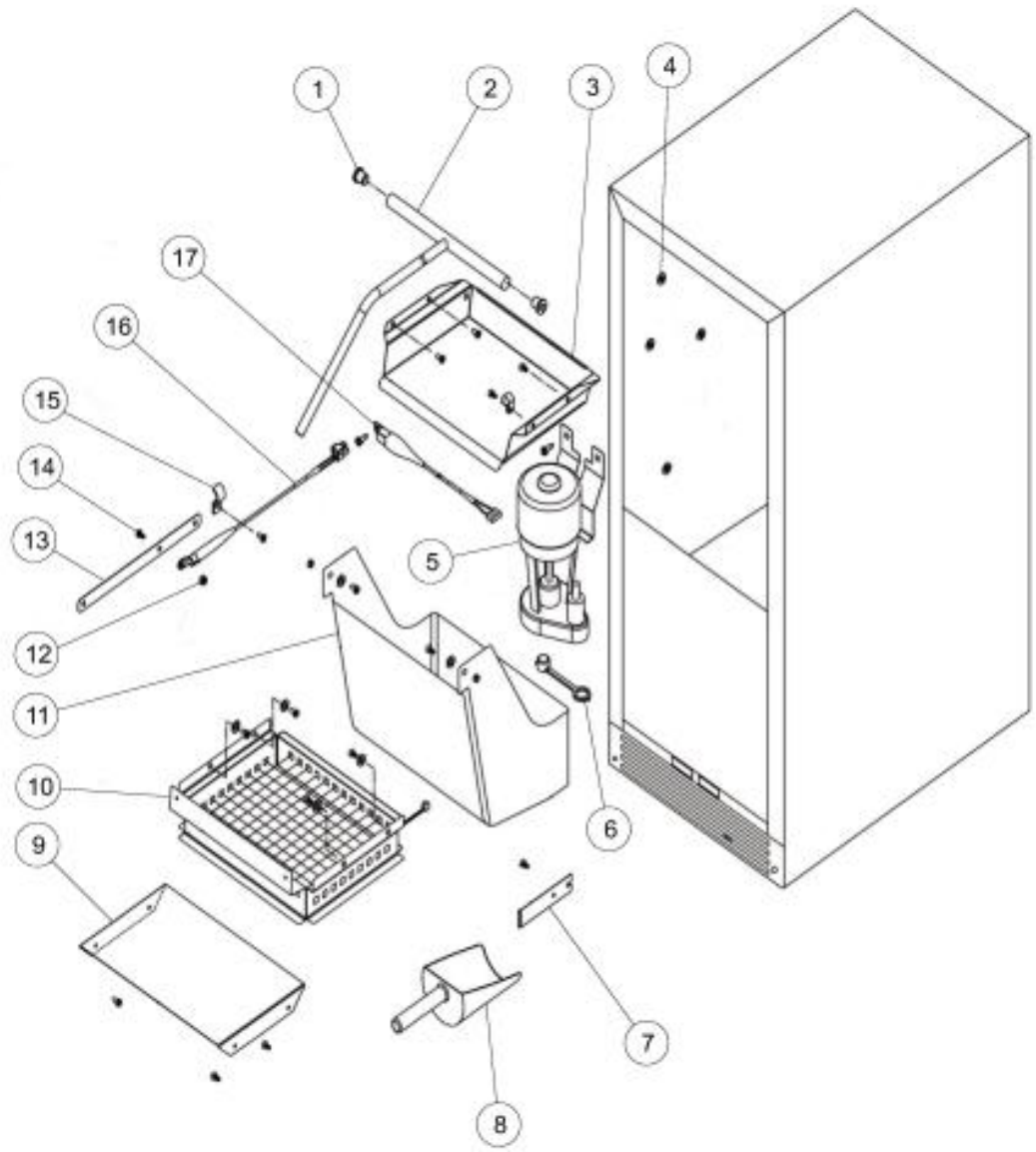
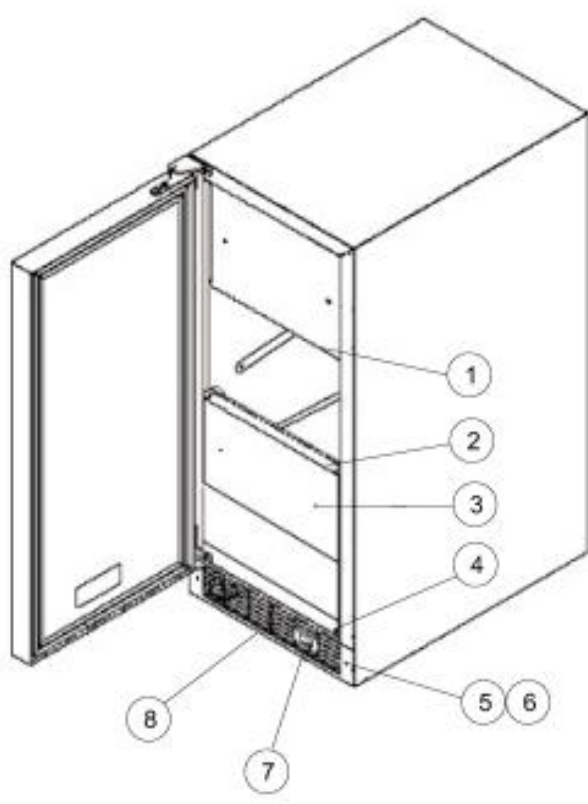


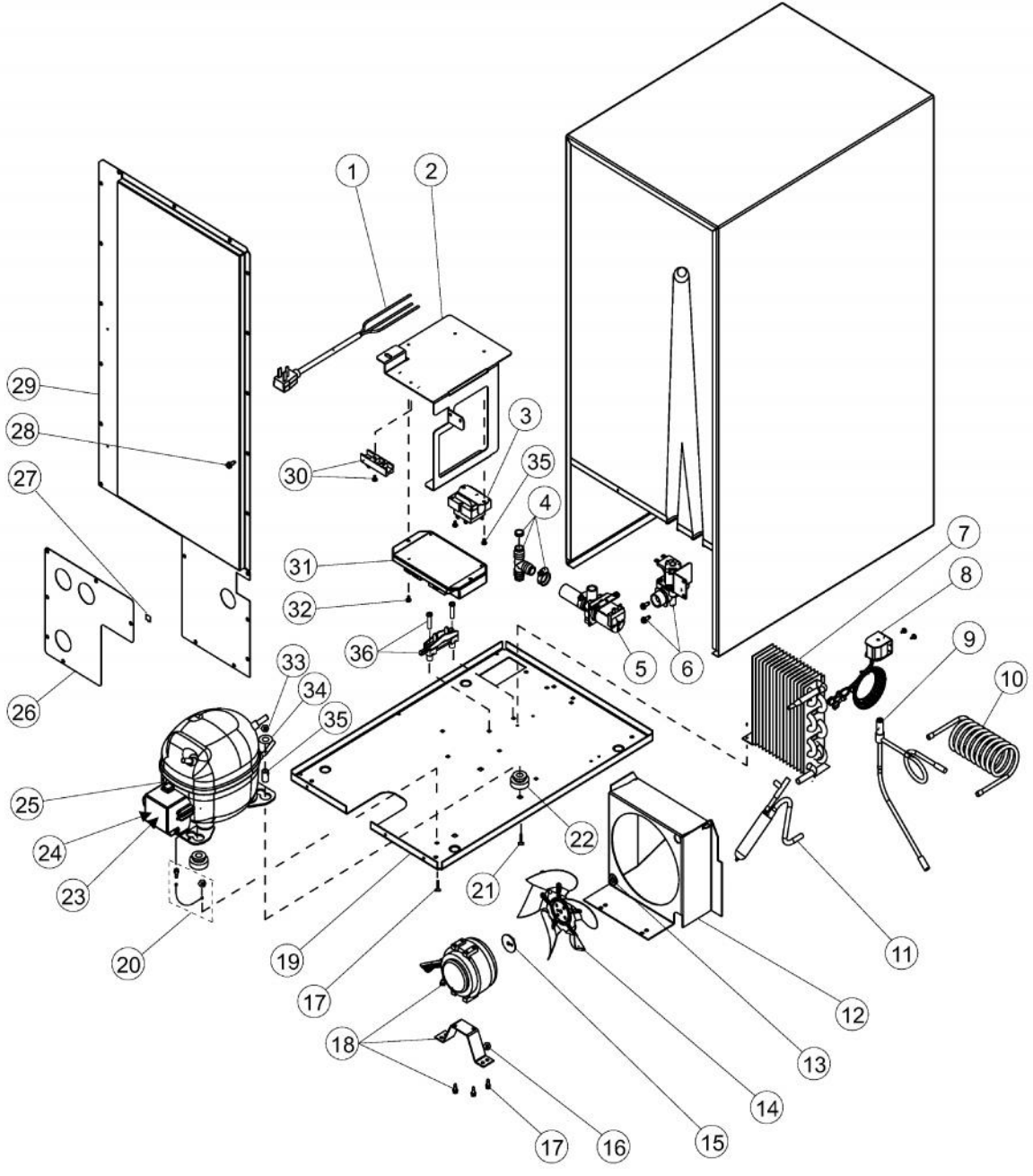
| Ref # | Part Number | Qty. | Description |
|-------|-------------|------|-----------------------------------|
| 1 | 017594-000 | 1 | HINGE ADAPTER, BLACK, TOP |
| 2 | 017596-000 | 4 | SCREW, 1/4-20 BLACK OXIDE |
| 3 | 009761-000 | 2 | WASHER, NYLON |
| 4 | 009755-000 | 2 | HINGE BUSHING |
| 5 | 017588-000 | 1 | HINGE, PIN, TOP |
| 6 | 010695-000 | 1 | STANDARD HINGE, RIGHT TOP, CHROME |
| 7 | 017597-000 | 1 | MAGNETIC GASKET, WHITE |
| 8 | 017587-000 | 6 | 10-32 X 3/4 PH CSK ZN |
| 9 | 017585-000 | 1 | HINGE, CHROME, LH |
| 10 | 017589-000 | 1 | HINGE, PIN BOTTOM |
| 11 | 017595-000 | 1 | HINGE ADAPTER, BLACK, BOTTOM |
| 12 | 017598-000 | 1 | DOOR ASSEMBLY |



| Ref # | Part Number | Qty. | Description |
|-------|-------------|------|---|
| 1 | 022786-000 | 2 | DISTRIBUTOR TUBE END |
| 2 | 022785-000 | 1 | DRAIN TUBE, WHITE W/HOSE CLAMP |
| 3 | 022787-000 | 1 | EVAPORATOR ASSEMBLY, WHITE W/SCREWS & CLAMP |
| 4 | 022792-000 | 20 | 10-32 WELLNUT |
| 5 | 028412-000 | 1 | CIRCULATION PUMP W/ SCREWS |
| 6 | 022789-000 | 1 | DRAIN PLUG |
| 7 | 022784-000 | 1 | RETAINER CLIP W/ SCREWS |
| 8 | 022795-000 | 1 | ICE SCOOP |
| 9 | 022791-000 | 1 | DEFLECTOR ASSY |
| 10 | 022790-000 | 1 | GRID-CUTTER ASSEMBLY |
| 11 | 022788-000 | 1 | RESERVOIR ASSY |
| 12 | 017621-000 | 1 | NUT, NO.10-24, LOCK |
| 13 | 017622-000 | 1 | BIN SENSOR BAR |
| 14 | 017623-000 | 1 | SCREW, NO.10-24, PHILIPS HEADS, SS |
| 15 | 017618-000 | 1 | P-CLAMP, WHITE |
| 16 | 017620-000 | 1 | SLEEVE W/THERMISTOR |
| 17 | 022828-000 | 1 | EVAPORATOR THERMISTOR W/SCREW |



| Ref # | Part Number | Qty. | Description |
|-------|-------------|------|-------------------------------------|
| 1 | 022793-000 | 1 | ESCUTCHEON ASSY |
| 2 | 017601-000 | 1 | TRIM PANEL |
| 3 | 009643-000 | 2 | SCREW |
| 4 | 017602-000 | 1 | PLUG, HOLE, BLACK |
| 5 | 017606-000 | 2 | SCREW, NO.12 X 3/4 FLT HD AB, BLACK |
| 6 | 017608-000 | 1 | NO.10 EXT. TOOTH LOWA |
| 7 | 017604-000 | 1 | SWITCH, BLACK |
| 8 | 028413-000 | 1 | GRILLE, BLACK |
| NI | 022366-000 | 4 | LEG LEVELER |



| Ref # | Part Number | Qty. | Description |
|-------|-------------|------|---|
| 1 | 028414-000 | 1 | POWER CORD |
| 2 | 017660-000 | 1 | BRACKET, SATURN CONTROL |
| 3 | 028415-000 | 1 | TRANSFORMER, 120V TO 12V |
| 4 | 028416-000 | 1 | TEE FIT'G/FLOW RESTRICTOR ASSY W/ CLAMPS |
| 5 | 028417-000 | 1 | DRAIN VALVE |
| 6 | 028418-000 | 1 | WATER VALVE ASSEMBLY W/ SCREWS |
| 7 | PW300159 | 1 | CONDENSER ASSY |
| 8 | 017635-000 | 1 | SOLENOID COIL |
| 9 | 017636-000 | 1 | HOT GAS VALVE |
| 10 | 028419-000 | 1 | PRECOOLER |
| 11 | 017637-000 | 1 | DRIER ASSEMBLY |
| 12 | 028420-000 | 1 | FAN SHROUD |
| 13 | PW200020 | 1 | NUT, TINNEMAN |
| 14 | 028421-000 | 1 | FAN BLADE |
| 15 | 009831-000 | 1 | SILENCER (INCLUDED W/FAN) |
| 16 | 010034-000 | 5 | KEP NUT (42247454) |
| 17 | 017671-000 | 8 | BOLT, NO.10-24 X 1/2 CARRIAGE |
| 18 | 017640-000 | 1 | FAN MOTOR ASSEMBLY |
| 19 | 028422-000 | 1 | BASEPLATE |
| 20 | 022498-000 | 1 | GROUND WIRE KIT |
| 21 | 017641-000 | 2 | BOLT, 1/4 - 20X1 - 1/4 CARRIAGE |
| 22 | 017643-000 | 4 | GROMMET |
| 23 | 017650-000 | 1 | PTC STARTER |
| 24 | 028423-000 | 1 | COMPRESSOR OVERLOAD |
| 25 | 017649-000 | 1 | COMPRESSOR ASSEMBLY |
| 26 | 028424-000 | 1 | ACCESS PANEL ASSEMBLY |
| 27 | 022796-000 | 1 | U-CLIP |
| 28 | 028425-000 | 24 | NO.10 X .5 AB HEX WASHER HEAD HURRICANE SCREW, ZN |
| 29 | 028426-000 | 1 | RAISED BACK PANEL |
| 30 | 022783-000 | 1 | TERMINAL BLOCK W/SCREWS |
| 31 | 022829-000 | 1 | ELECTRONIC CONTROL, SATURN |
| 32 | 028428-000 | 2 | NO.10 X .5 AB HEX WASHER HEAD HURRICANE SCREW, ZN |
| 33 | 017648-000 | 2 | 1/4 - 20 UNC 2B LOCKNUT, ZN |
| 34 | PW200018 | 2 | .312 ID FLAT WASHER |
| 35 | 017642-000 | 2 | SLEEVE |
| 36 | 028427-000 | 1 | POWER CORD CLAMP (W/SCREWS) |
| NI | 022830-000 | 1 | WIRE HARNESS |