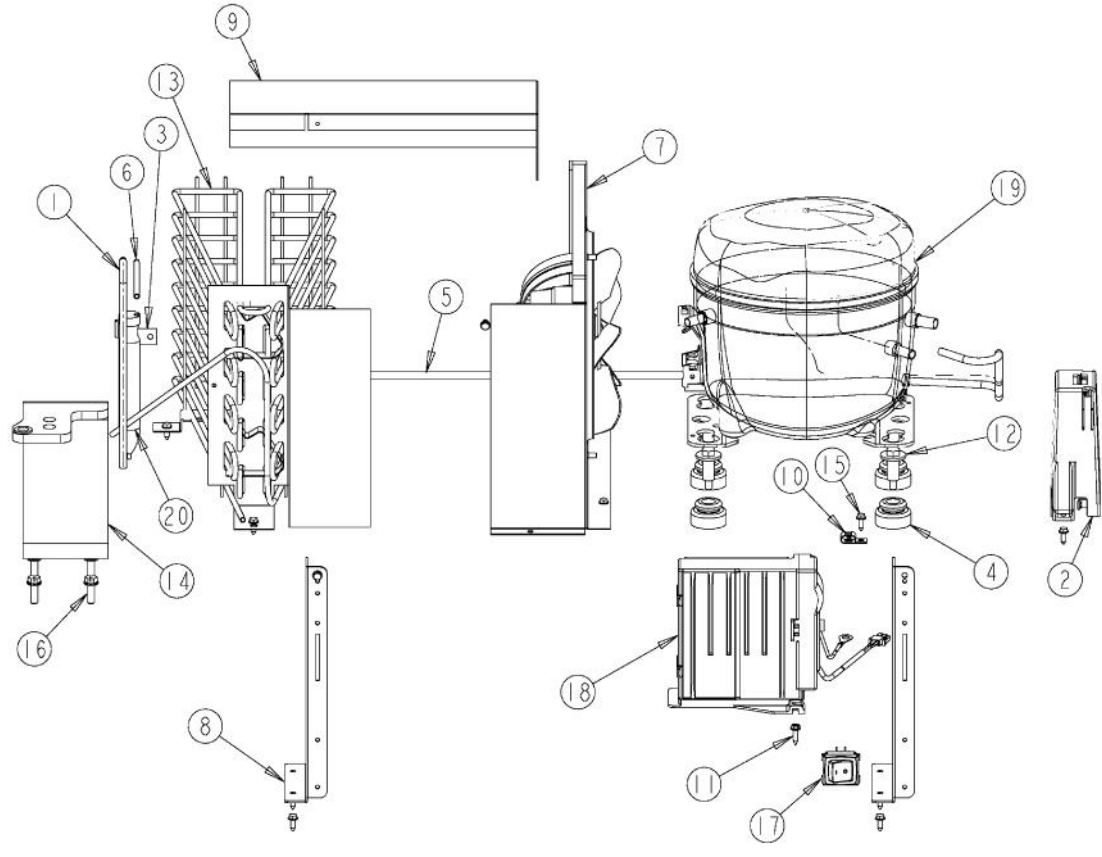
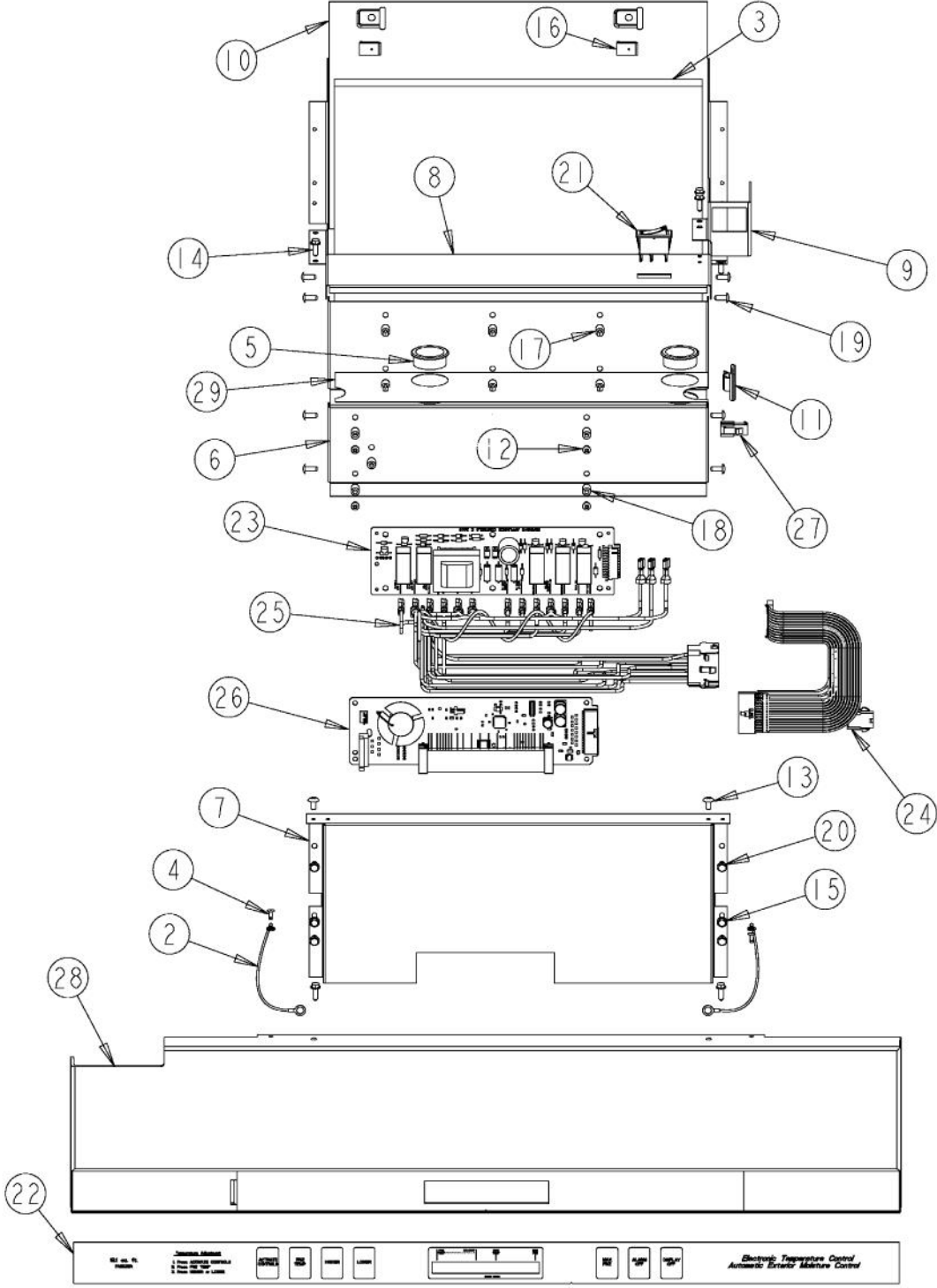


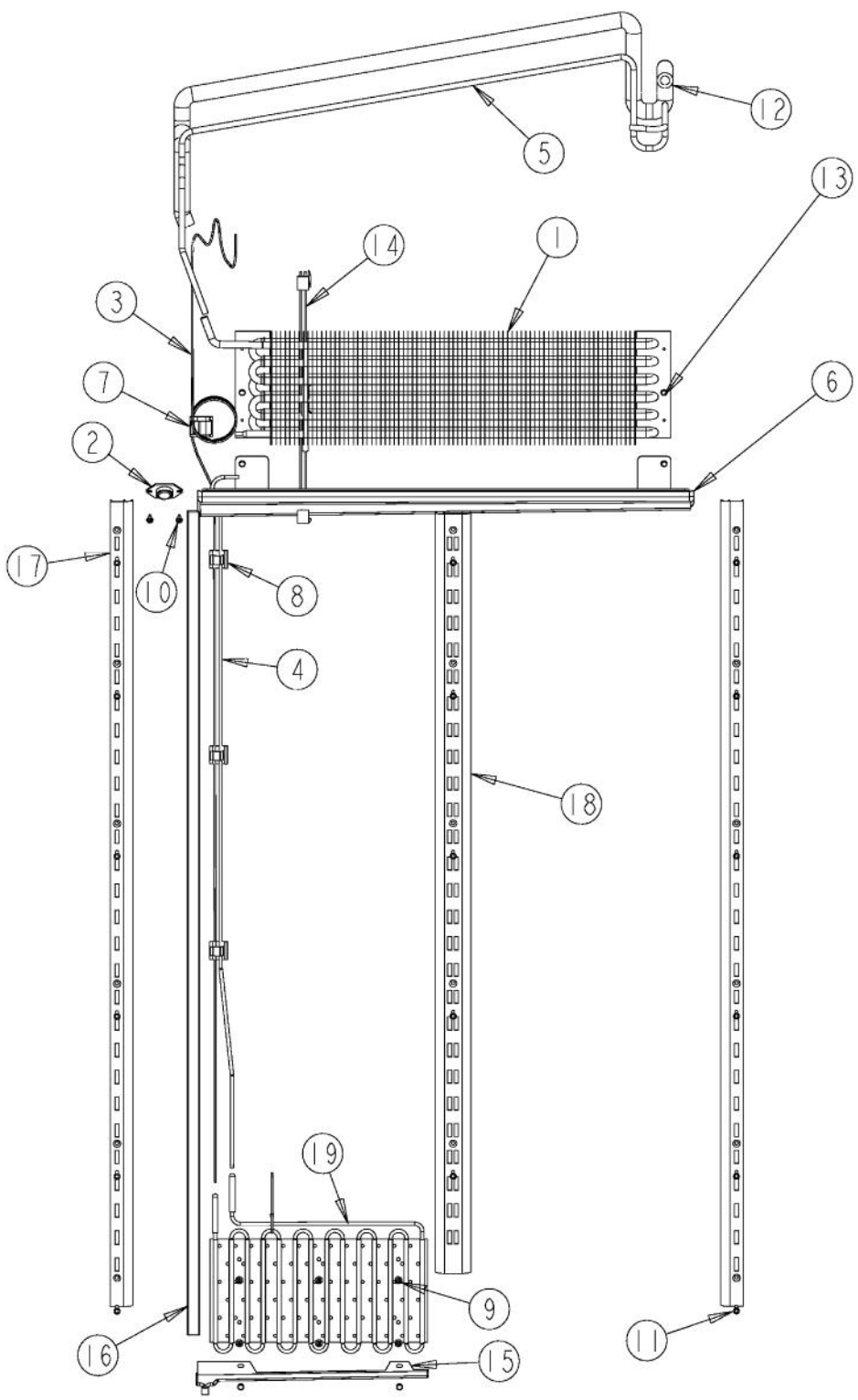
Ref #	Part Number	Qty.	Description
1	L20910705		BRACKET LIGHT AR 36
2	A3079001		LAMP - 40W
3	PE950125		LIGHT SOCKET
4	PK930267		COVER LIGHT ASM AF AR BM 36
5	PM910351		SHELF ASM GLASS BM 36 FF
6	G50911908		SHELF & SLIDE ASM AR 36
7	G50912333		PRODUCE DRAWER ASSEMBLY
8	PK930285		DUCT MEATSAVOR REAR AR 36
9	G50912334		DRAWER DELI ASM AR 36
10	PE950185		FAN, MEAT SAVER
11	PK930284		DUCT MEATSAVOR LEFT
12	PM910280		LADDER SIDE AF 30 36
13	PK930278		DRAWER MEAT SAVER AR BM 36
14	PM910334		ROLLER TENSION
15	PK930168		DIAL CONTROL MEAT SAVER
16	PK930169		DUCT MEAT SAVER SXS 42/48 R
17	PK930172		COVER CONTROL MEAT SAVER
18	PK930283		DUCT MEATSAVOR SPACER
19	PM910287		SLIDE MEAT SAVER R
20	PM910288		SLIDE MEAT SAVER L
21	PK930286		SHELF MEATSAVOR AR/BM 36
22	PK930288		DOOR MEATSAVOR ASM AR/BM 36
23	PM910284		LADDER CENTER AR 36
NI	PM910332		ACCESORY ASSY



Ref #	Part Number	Qty.	Description
1	F2096669		TUBE-DRIER COND
2	PE970608		POWER SUPPLY 24 VDC 15 W
3	10547001		CLIP-DRIER V10547001
4	10835901		GROMMET RUBBER V10835901
5	F20910737		TUBE DISCHARGE AF AR 36
6	F2096507		TUBE-PROCESS GRN
7	G5096494		COND. FAN ASSY
8	K20912569		BRACKET GRILLE SUPPORT
9	K20912570		DIVERTER AIR HI SIDE 30
10	M0103904		CLAMP-SPEED
11	PD940088		SCREW, 1/4 X 20 HEX WASHER SERRATED
12	M0221523		SCREW - SHLDR
13	PB920171		CONDENSER ASM
14	PC920204		HINGE ASM UL
14	PC920203		HINGE ASM UR
15	PD020010		10 X 3/8 GREEN GROUNDING SCREW
16	000570-000		HEX SCREW
17	PE950149		SWITCH POWER
18	PE970449		INVERTER ASSEMBLY
19	G50911820		COMPRESSOR KIT
20	10743201		DRIER, HI SIDE
NI	10916507		TUBE-PROCESS GRN
NI	PB970187		INSULATION TUBING 57.500
NI	F20911126		TUBE SUCTION AR 30
NI	10699601		DAMPER-TUBING .8
NI	F20912567		TUBE CAPILLARY FORMED

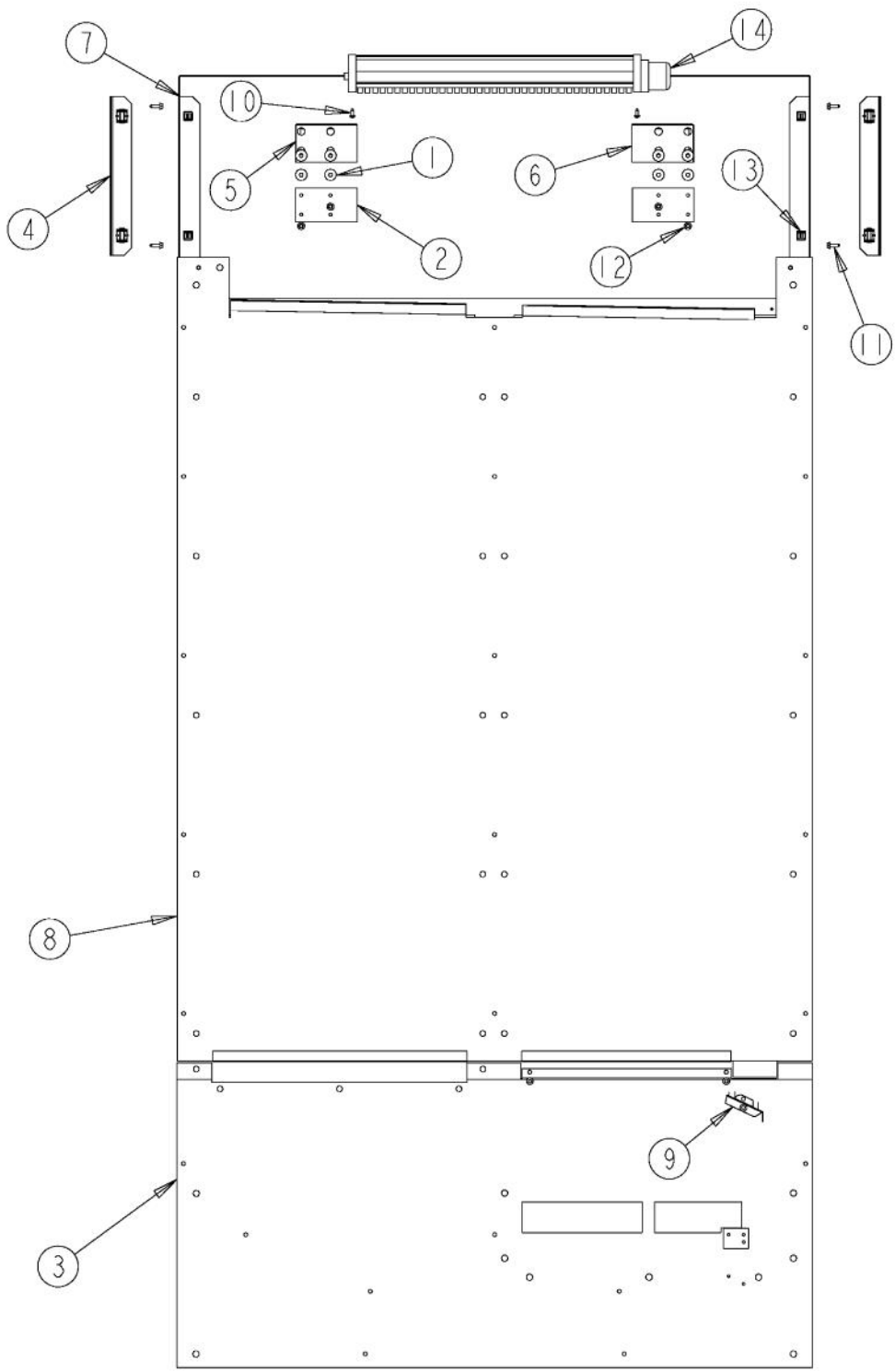


Ref #	Part Number	Qty.	Description
1	PE950122		SWITCH
2	12064001		SUPP-CONT PANEL
3	12074703		INSUL-CONT BOX V12074703
4	A4539601		SUB TO PC040010 - RIVET-POP VA4539601
5	A4554817		BUSHING-SNAP VA4554817
6	K20910060		BRACKET - PC
7	K20910061		CONTROL BOX FRONT
8	K20910062		CONTROL BOX TOP
9	K2098654		BRACKET SWITCH POWER
10	K2099402		CONTROL BOX
11	M0104106		CLIP-CORD VM0104106
12	M0217204		SCREW, SM
13	M0224128		SCREW-SM
14	M0238846		SCREW-SHLDR
15	M0288120		NUT-SPEED, VM0288120
16	M0585506		SUPPORT
17	PC040010		POP RIVET
18	PD020194		SCREW-SM
19	PC040010		POP RIVET
20	PD020194		SCREW-SM
21	PE950150		SPDT ROCKER SW. W/LEGEND
22	PE950181		OVERLAY SWITCH AR 36
23	PE970463		POWER CONTROL BOARD
24	PE970464		HARNESS LOW VOLT
25	PE970465		HARNESS HIGH VOLT
26	G50911823		LOW VOLT BOARD KIT (BEFORE 1/22/05) (BEFORE 1/22/05)
26	PE970603		LOW VOLTAGE BOARD (AFTER 1/22/05)
27	PE970609		HARNESS CONTROL BOARD (AFTER 1/22/05)
28	PK030459		PANEL CONTROL AR 36 L
28	PK030458		PANEL CONTROL AR 36 R
29	PM910325		FILM PROTECTIVE

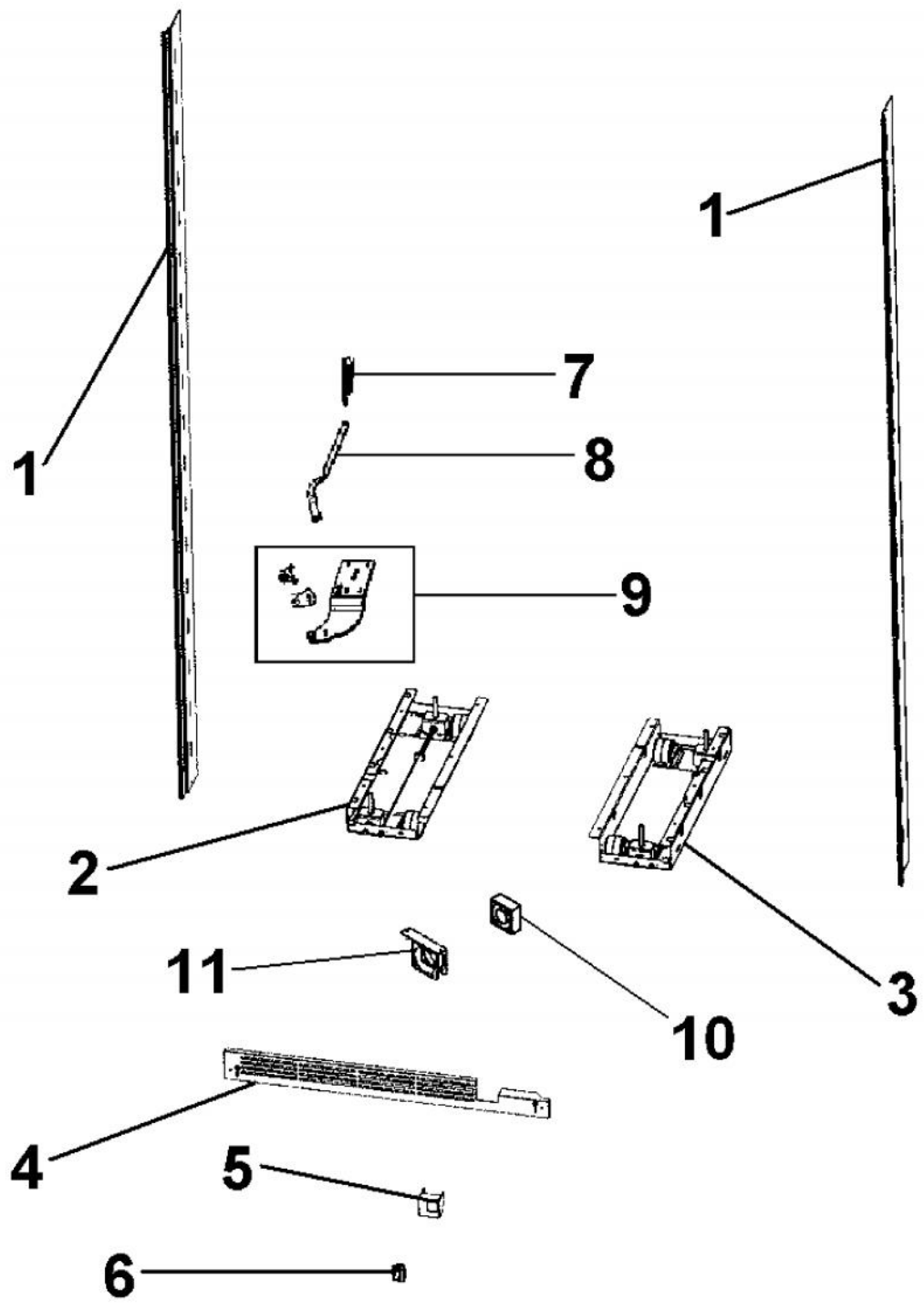


Ref #	Part Number	Qty.	Description
1	PM910455		EVAPORATOR AR 36 30
2	C8983701		THERMISTOR
3	PB920246		TUBE CAPILLARY ASM AR 36 30
4	F20913720		TUBE EVAP AR 36
5	F2099936		TUBE SUCTION AR 36
6	G50914189		DRAIN PAN ASM UPPER AR36
7	M0104102		CLIP-CORD RED
8	M0104106		CLIP-CORD VM0104106
9	M0210417		SCREW, SS SM
10	M0232929		SCREW-SE
11	M0238535		SCREW-SM
12	PB970187		INSULATION TUBING 57.500
13	PD020194		SCREW-SM
14	PE970641		JUMPER FAN RESISTOR
15	PK030445		PAN DRAIN LOWER EVAP AR 30 36
16	PK030446		DRAIN VERTICAL AR 30 36
17	PM910280		LADDER SIDE AF 30 36
18	PM910284		LADDER CENTER AR 36
19	PM910496		MS HEAT EXCH ASM AR 36 30

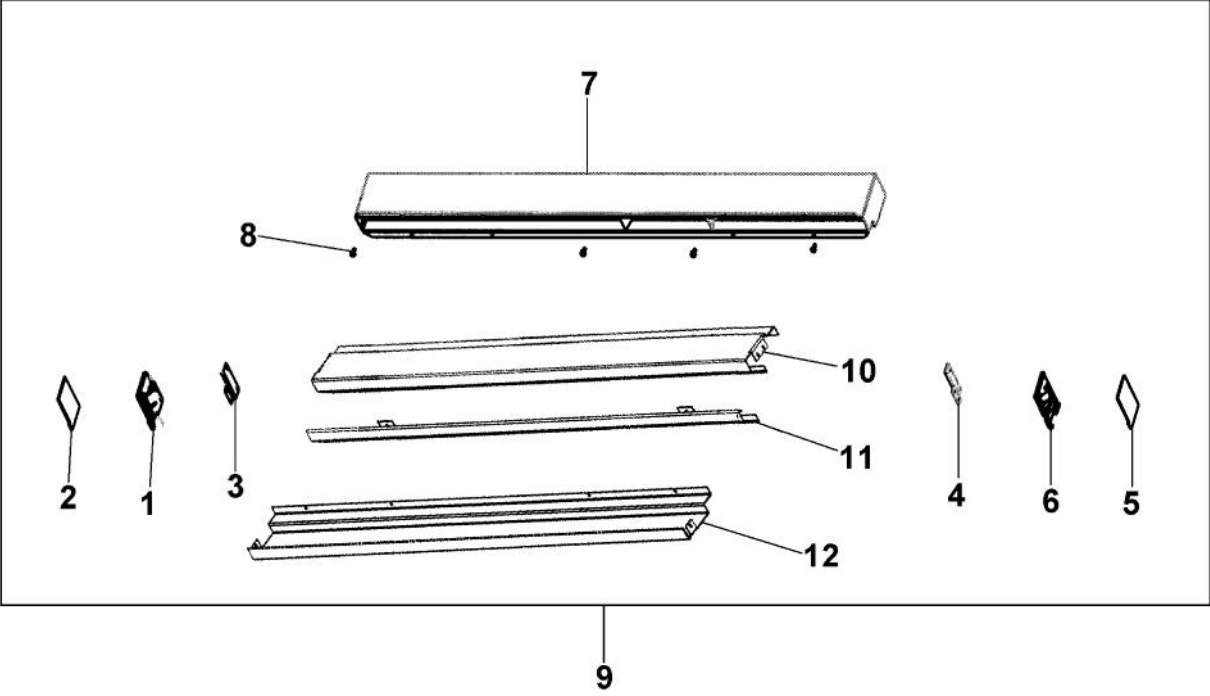




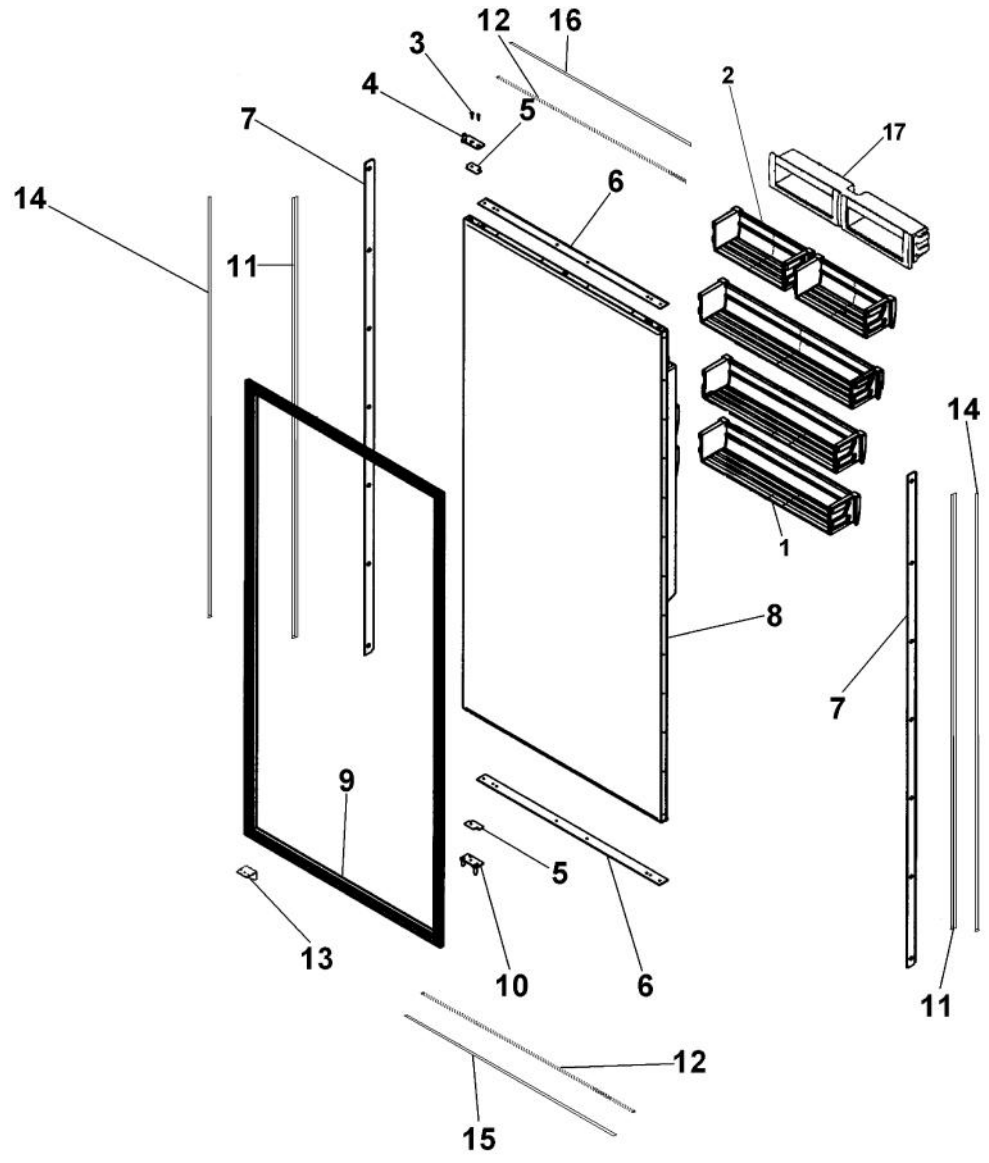
Ref #	Part Number	Qty.	Description
1	12234001		GROMMET-VIBRATION
2	B10914128		SPACER FAN AR 36/30
3	G31913715		COVER ASM LOWER EVAP AR 36
4	G50912369		ANGLE UPR EVAP MTNG AR
5	K20914132		BRKT, FAN MTG RT AR 36
6	K20914133		BRKT, FAN MTG LT AR 36
7	L20910793WH		COVER EVAP AR 36
8	L20913712WH		COVER SUMP UPPER AR 36
9	L20913713WH		DIVIDER AIR AR 36
10	M0217204		SCREW, SM
11	M0238616		SCREW-SM
12	M0238859		SCREW-SHLDR
13	PD950012		STRIKE PANEL ACCESS
14	PE950154		FAN EVAP HORIZ AF AR 30
NI	PB070288		1/4 X 1/2 CLOSED CELL SPONGE



Ref #	Part Number	Qty.	Description
1	PK920066		SIDE TRIM
2	PM910399		LEVELER MODULE L
3	PM910398		LEVELER ASSEMBLY - R
4	G50911378		GRILLE TOE ASM COMPLETE 36 R
4	G50911379		GRILLE TOE ASM 36 LH
5	C9098046BK		BASE GRILLE SWITCH MOUNT - RH
6	PE950147		SWITCH SPST NC BLACK
7	PC910015		SPRING EXTENSION
8	PC920149		BAR-WC BOT HINGE LH
8	PC920166		BAR-WC BOT HINGE RH
9	G3298649		HINGE ASM COMPLETE LL
9	G3298648		HINGE ASM COMPLETE LR
10	12075003		MOTOR-REF FAN
11	K20911976		BRACKET EVAP FAN ICE



Ref #	Part Number	Qty.	Description
1	PM910349		END CAP GRILLE L
2	PM910071		COVER - END CAP 12119801
3	C9099471BK		BRACKET GRILLE SUPPORT DES L
4	C9099470BK		BRACKET GRILLE SUPPORT DES R
5	PM910072		COVER - END CAP 12119802
6	PM910348		ENP CAP GRILLE R
7	G90911117BK		AIR DUCT ASM COMPLETE AF AR 36 XBKX
8	M0220417		SCREW-TC
9	G32911121		GRILLE ASM AF AR 36 DES R
9	G32911120		GRILLE ASM AF AR 36 DES L
10	PM910418		GRILLE LOUVER UPPER AF AR 36 DES FOL
11	PM910429		GRILLE LOUVER MID AF AR 36 DES FOL
12	PM910419		GRILLE LOUVER LOWER AF AR 36 L DES FOL
12	PM910421		GRILLE LOUVER LOWER AF AR 36 R DES FOL
NI	PM910248		MANIFOLD --- FILTER



Ref #	Part Number	Qty.	Description
1	G5099297		DOOR BIN ASM FF 36 BM AND AR FULL
2	G5099298		DOOR BIN ASM FF 36 BM AND AR HALF
3	M0226233		SUB TO PD920174 - 10 X 7/8 PHILLIPS SMA TRI LOBE SA
4	PC920208		PIVOT PL ASM LH UP FOL
4	PC020274		PIVOT PL ASM RH UP FOL
5	PD940092		SPACER - DOOR HINGE
6	PM910431		TRIM - TOP / BOTTOM
7	PM910102		SIDE TRIM
8	G5098372		DOOR ASM COMPLETE AR 36
9	PB970156		GASKET
10	PC920206		PIVOT PL ASM LH LW FOL
10	PC920205		PIVOT PL ASM RH LW FOL
11	K2096650		BRKT-DEC PANEL
12	K2096648		BRKT-DEC PANEL
13	C90911328BK		STRIKER SWITCH
14	PM910097		INSERT SXS FF/FZ SIDE 12063706
15	PM910476		SCREW COVER INSERT - BOTTOM
16	PM910475		SCREW COVER INSERT - TOP
NI	M0210443		SCREW-E SM
17	V12097404		DAIRY MODULE ASM