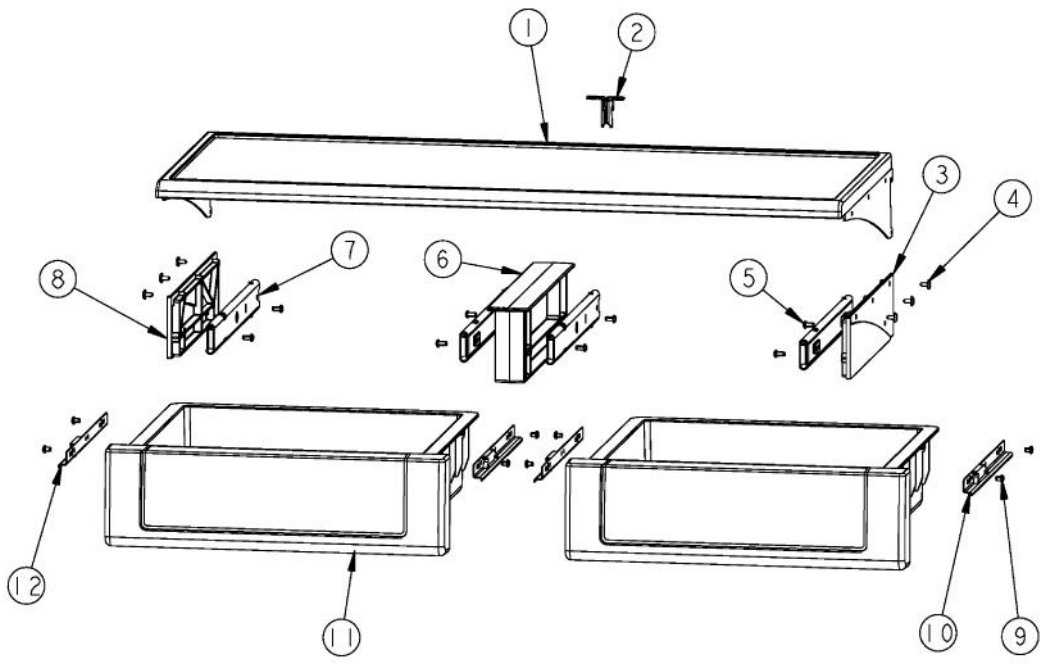
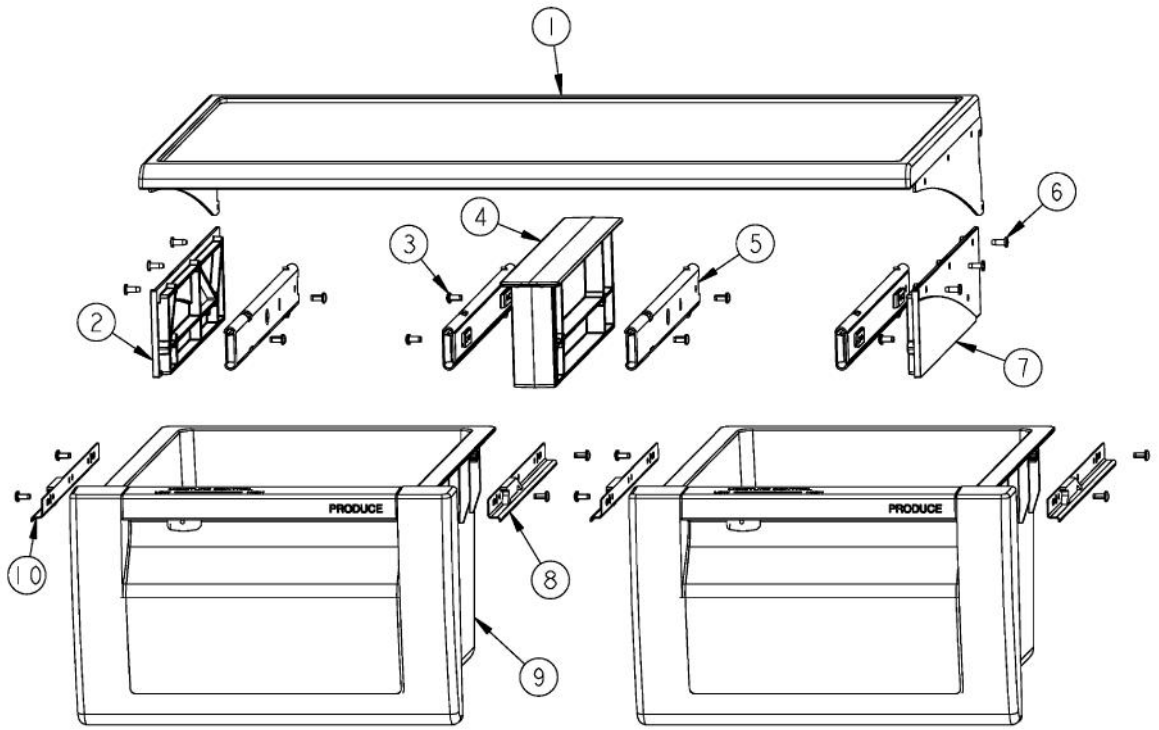


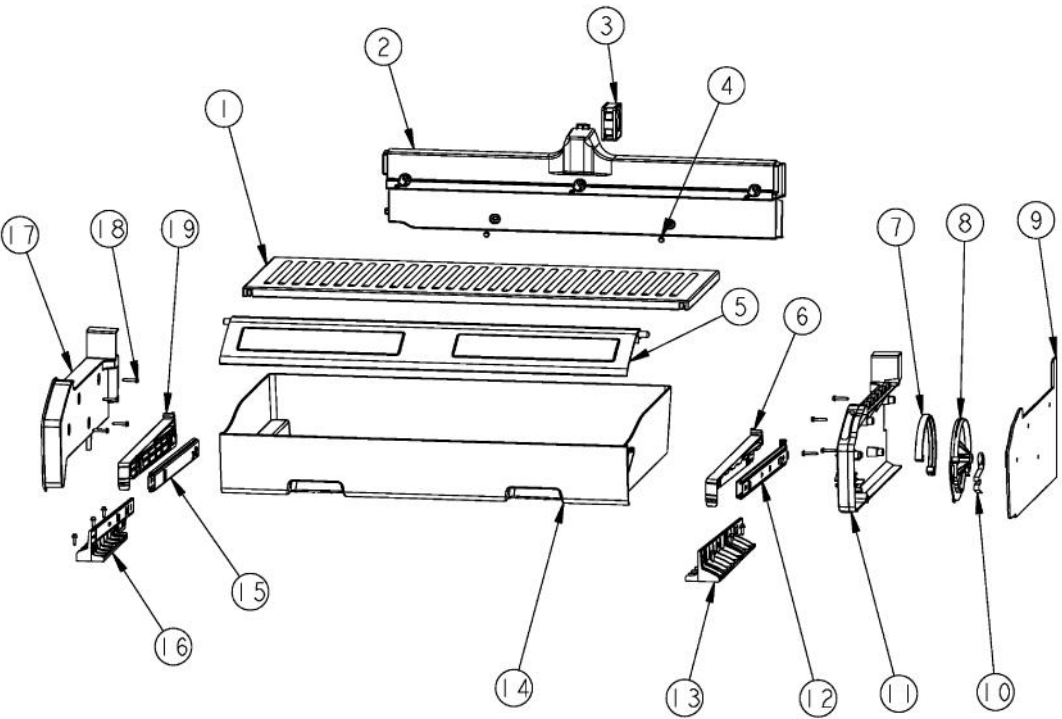
Ref #	Part Number	Qty.	Description
1	PM910351		SHELF ASM GLASS BM 36 FF
2	ProduceDrawerArea		FOR BREAKDOWN SEE PAGE 002
3	DELI DRAWER AREA		FOR BREAKDOWN SEE PAGE 002
4	MEAT SAVER DRAW...		FOR BREAKDOWN SEE PAGE 004



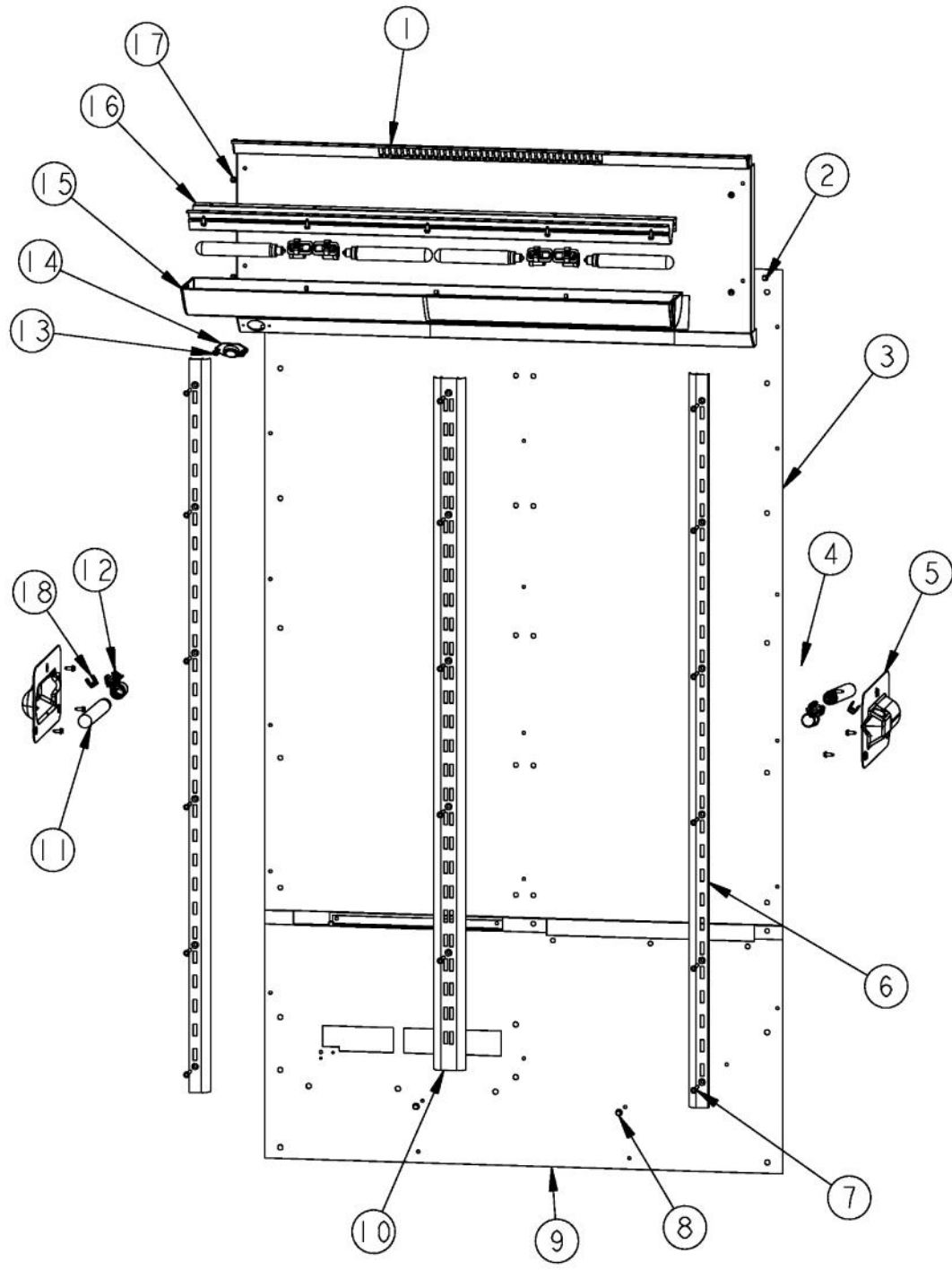
Ref #	Part Number	Qty.	Description
1	PM010530		SHELF ASM GLASS 36 AR 36 BM
2	12046701		CRISPER RAIL WELD
3	PK930290		SUPPORT SLIDE R
4	PD020032		SRW-8(A)X3/8PH.WFR HD 7/16DIAXNICL
5	PD920161		SCR 8-16 PLASTITE PNP 3/8 S
6	PK030439		GLIDE CENTER SUPPORT
7	PM910388		SLIDE DRAWER (R & L)
8	PK930291		SUPPORT SLIDE L
9	PD920162		SCR 8-16 PLASTITE PNP 1/4 S
10	PM910343		RAIL DRAWER R
11	PK930289		DRAWER DELI ASM AR 36
12	PM910342		RAIL DRAWER L



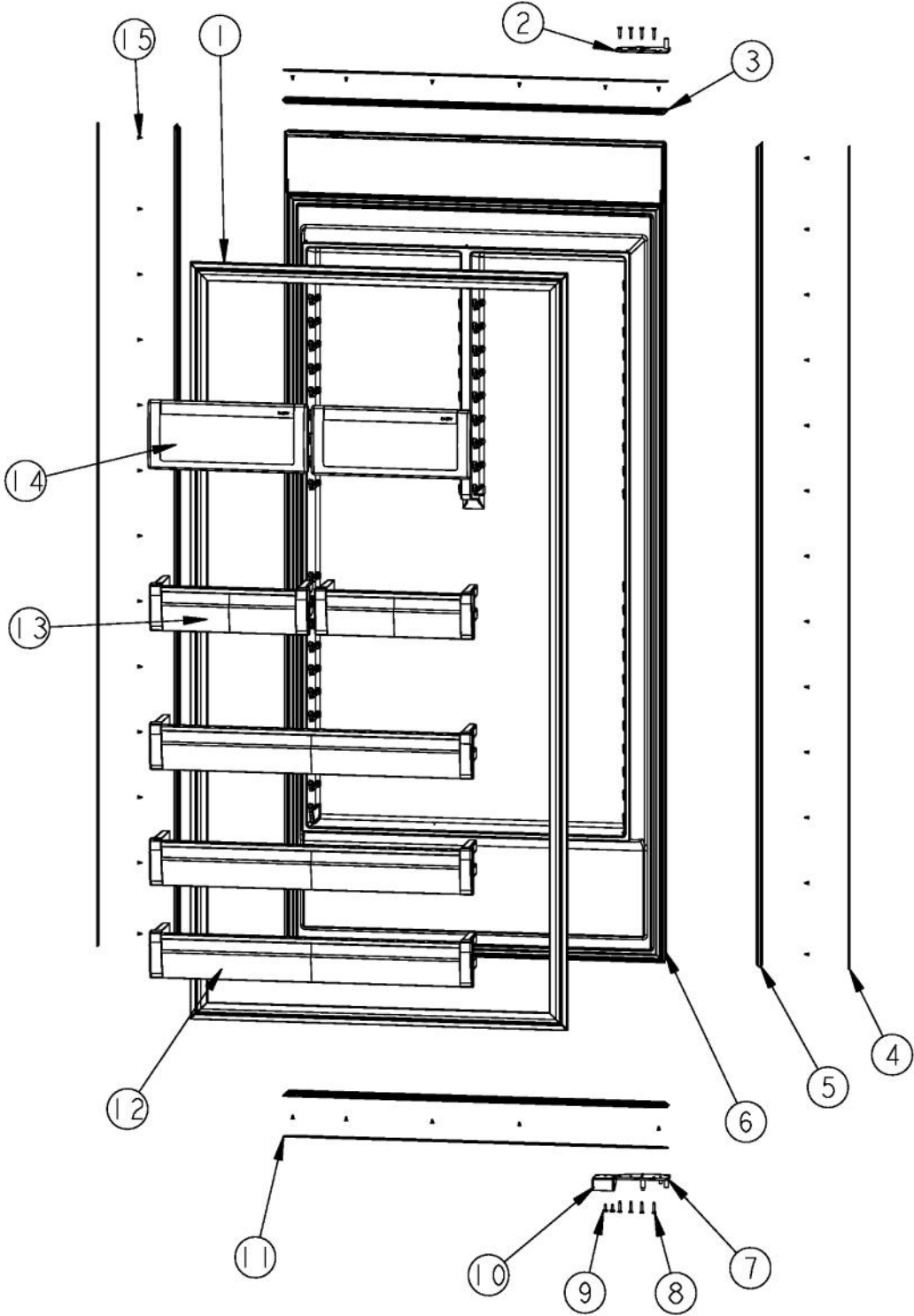
Ref #	Part Number	Qty.	Description
1	PM010530		SHELF ASM GLASS 36 AR 36 BM
2	PK930291		SUPPORT SLIDE L
3	PD920162		SCR 8-16 PLASTITE PNP 1/4 S
4	PK030439		GLIDE CENTER SUPPORT
5	PM910388		SLIDE DRAWER (R & L)
6	PD020032		SRW-8(A)X3/8PH.WFR HD 7/16DIAXNICL
7	PK930290		SUPPORT SLIDE R
8	PM910343		RAIL DRAWER R
9	PK930277		DRAWER PRODUCE ASM AR/BM 36
10	PM910342		RAIL DRAWER L



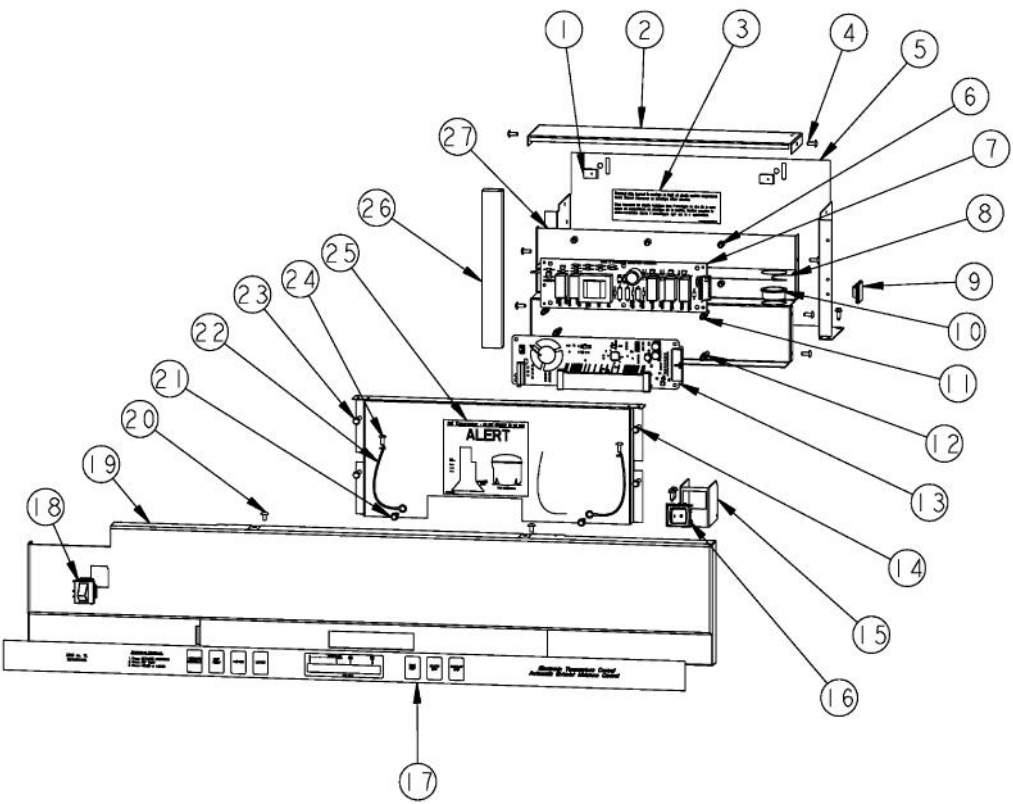
Ref #	Part Number	Qty.	Description
1	PK930286		SHELF MEATSAVOR AR/BM 36
2	PK930285		DUCT MEATSAVOR REAR AR 36
3	000730-000		MEAT SAVOR FAN - 3.8 W
4	PD020195		SCR 8-18 X 5/8
5	PK930288		DOOR MEATSAVOR ASM AR/BM 36
6	PK930175		SUPPORT DRAWER MEAT SAVOR SXS 42/48 R
7	PK930172		COVER CONTROL MEAT SAVOR
8	PK930168		DAIL CONTROL MEAT SAVOR
9	PK930283		DUCT MEATSAVOR SPACER
10	PM910334		ROLLER TENSION
11	PK930169		DUCT MEAT SAVOR SXS 42/48 R
12	PM910287		SLIDE MEAT SAVOR R
13	PK930173		SUPPORT SLIDE MEAT SAVOR SXS 42/48 R
14	PK930278		DRAWER MEAT SAVOR AR BM 36
15	PM910288		SLIDE MEAT SAVOR L
16	PK930174		SUPPORT SLIDE MEAT SAVOR SXS 42/48 L
17	PK930284		DUCT MEATSAVOR LEFT
18	M0211021		SCREW-SM
19	PK930176		SUPPORT DRAWER MEAT SAVOR 42/48 L



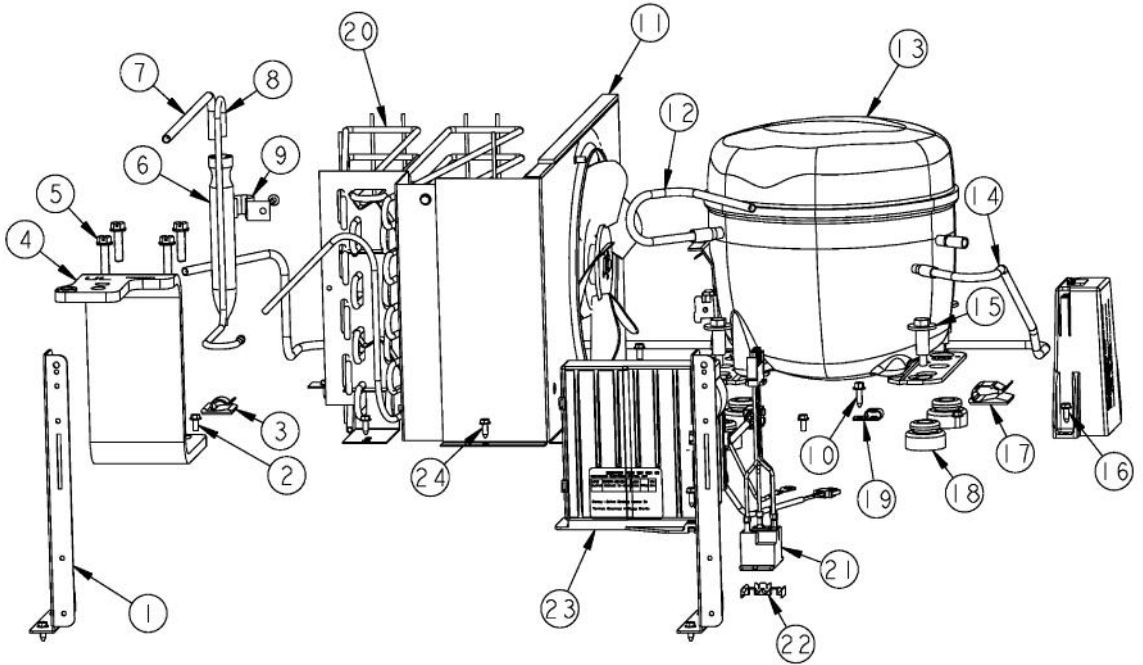
Ref #	Part Number	Qty.	Description
1	L20914100		COVER EVAP AR 36
2	PD020194		SCREW-SM
3	L20913712		UPPER COVER SUMP
4	PK930346		COVER LIGHT
5	10270203		HOUSING-LIGHT V10270203
6	PM910280		LADDER SIDE AF 30 36
7	M0238535		SCREW-SM
8	PD020195		SCR 8-18 X 5/8
9	L20913716		COVER SUMP LOWER AR 36
10	PM910284		LADDER CENTER AR 36
11	A3079001		LAMP - 40W
12	PE950125		LIGHT SOCKET
13	M0211014		SCREW-SM
14	C8983701		THERMISTOR
15	PK930267		COVER LIGHT ASM AF AR BM 36
16	L20910705		BRACKET LIGHT AR 36
17	PD020238		SCR WH HEX WSHR HD SLTD NO.8-18 X 1/2
18	B5733302		CLIP-GROUND
NI	PB070288		1/4 X 1/2 CLOSED CELL SPONGE



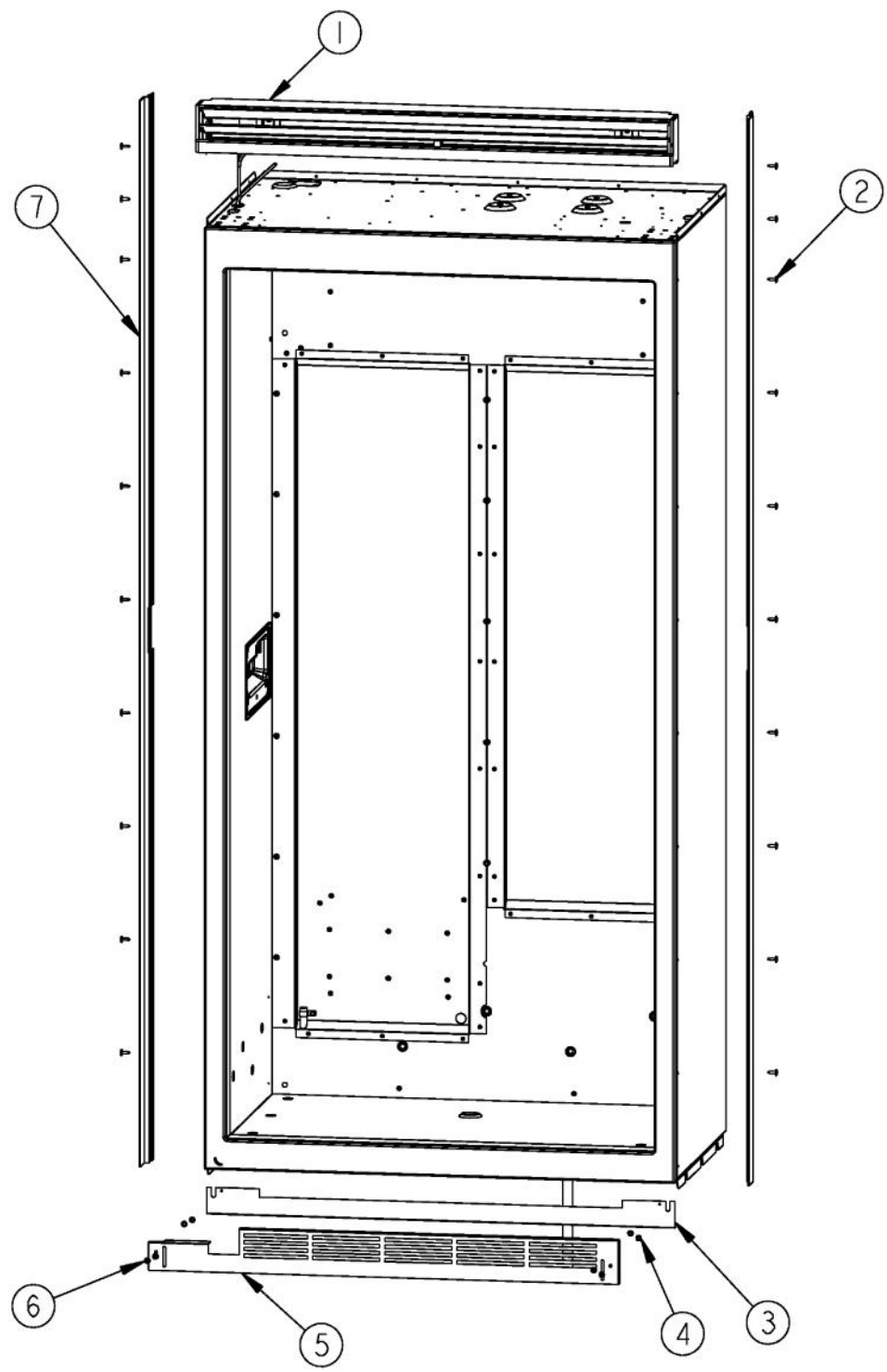
Ref #	Part Number	Qty.	Description
1	PB070334	1	DOOR GASKET (BEFORE 06-10-08)
1	005447-000	1	GASKET,ASM,36,AFAR (ON OR AFTER 06-10-08)
2	PC020275		PIVOT PL ASM LH UP FOL
NI	PC020274		PIVOT PL ASM RH UP FOL
3	PM010609		TRIM DOOR 36 TOP BOT FOL
4	PM910097		INSERT SXS FF/FZ SIDE 12063706
5	PM910102		SIDE TRIM
6	G32915043		DOOR ASM AR 36
7	PC020273		PIVOT PL ASM LH LW FOL
NI	PC020272		PIVOT PL ASM RH LW FOL
8	PD920174		10-32 TORX HEAD SCREW
9	M0210458		SCREW-SM
10	PD050019		STRIKER DOOR SWITCH
11	PM910094		INSERT 36 BM TOP/BTM
12	G5099297		DOOR BIN ASM FF 36 BM AND AR FULL
13	G5099298		DOOR BIN ASM FF 36 BM AND AR HALF
14	12097404		DAIRY MODULE ASSY
15	M0215704		SCREW-SM



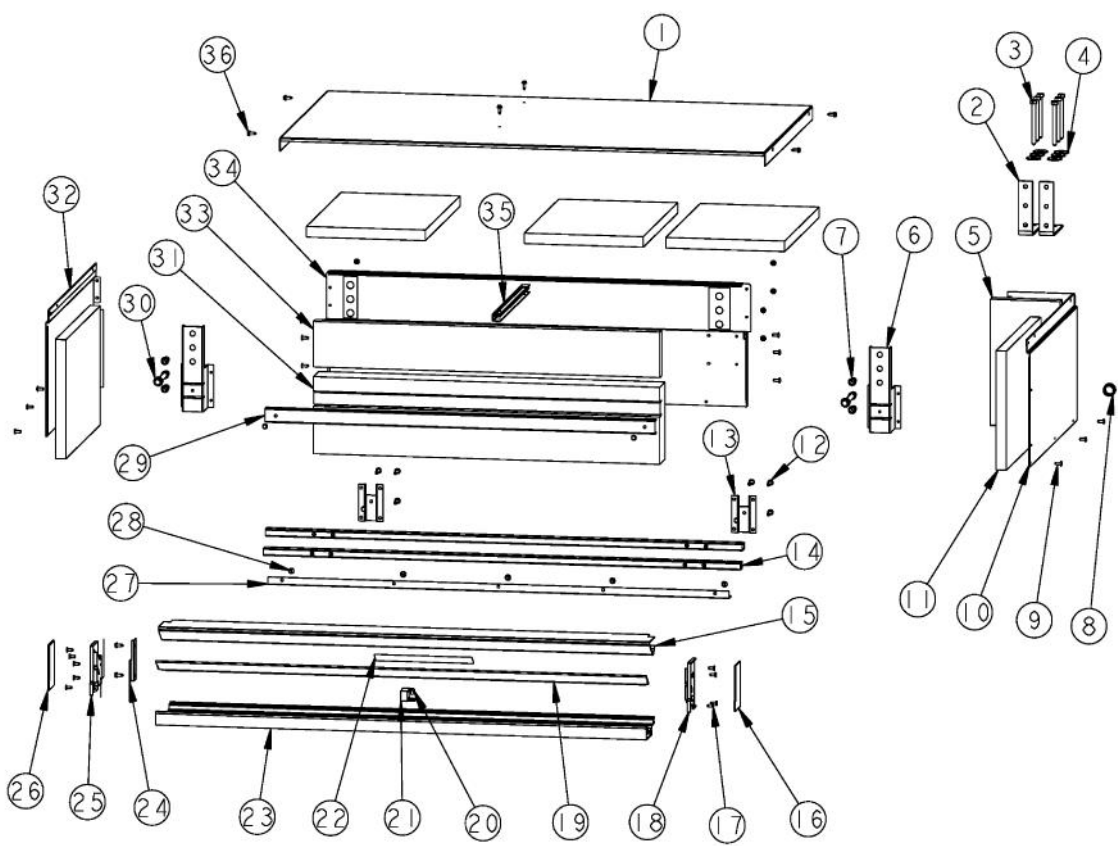
Ref #	Part Number	Qty.	Description
1	M0288120		NUT-SPEED, VM0288120
2	K20915000		CONTROL BOX TOP
3	PF930487		TECH LITERATURE LABEL - 2
4	PC040010		POP RIVET
5	K2099402		CONTROL BOX
6	M0585504		SUPPORT
7	PE970463		POWER CONTROL BOARD
8	PM910325		FILM PROTECTIVE
9	M0104106		CLIP-CORD VM0104106
10	A4554817		BUSHING-SNAP VA4554817
11	PD020013		TYPE AB NO.6 X 3/8 PH PAN HD. SMS
12	M0585506		SUPPORT
13	PE070728		BOARD LOW VOLTAGE
14	K20910061		CONTROL BOX FRONT
15	K2098654		BRACKET SWITCH POWER
16	PE950149		SWITCH POWER
17	PE950181		OVERLAY SWITCH AR 36
18	PE950122		SWITCH
19	PK030459		PANEL CONTROL AR 36 L
NI	PK030458		PANEL CONTROL AR 36 R
20	M0224128		SCREW-SM
21	M0238846		SCREW-SHLDR
22	12064001		SUPP-CONT PANEL
23	PD020194		SCREW-SM
24	PC040010		POP RIVET
25	PF930672		LABEL DC COMPRESSOR
26	A3030361		GASKET, RED
27	K20910060		BRACKET - PC



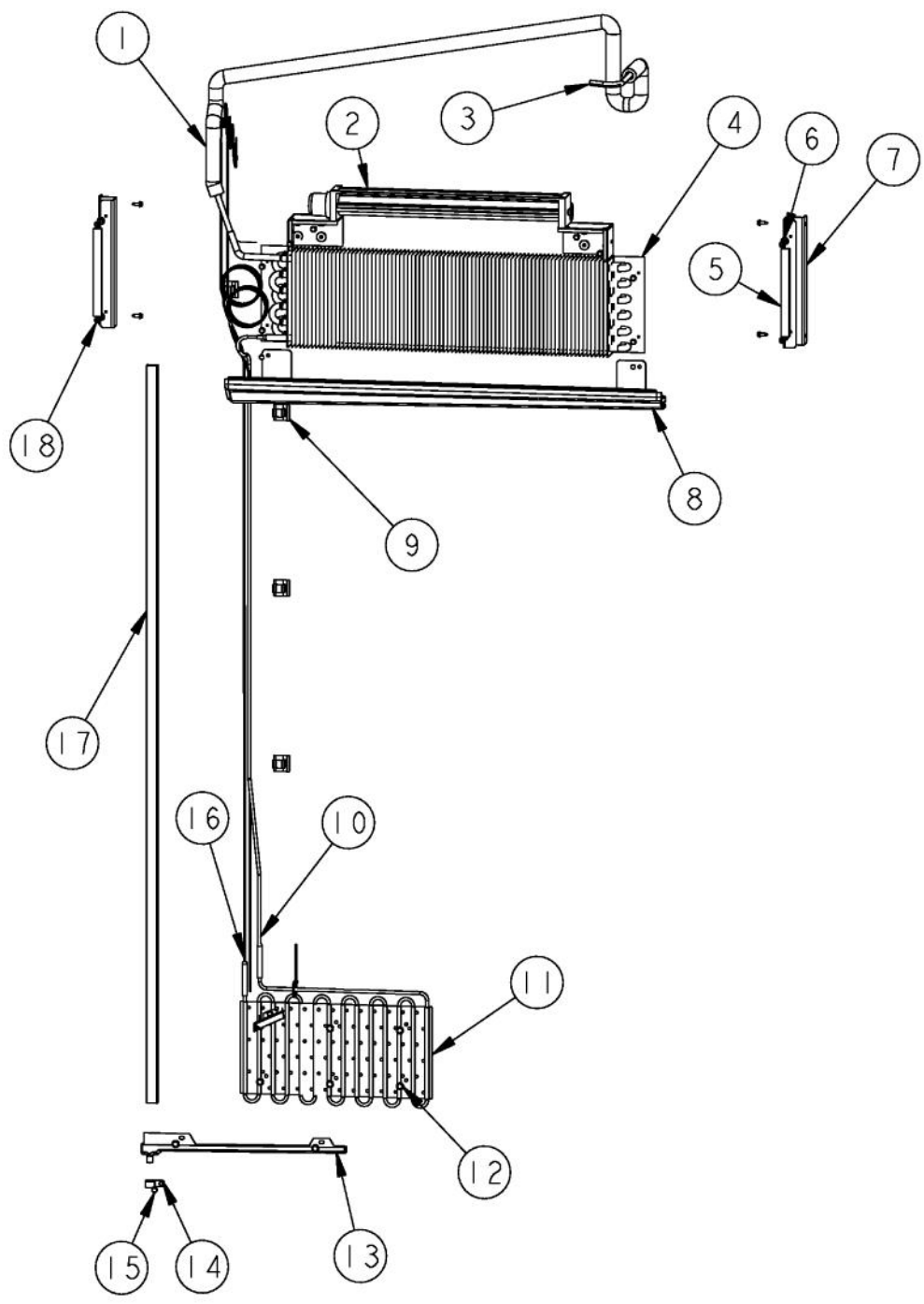
Ref #	Part Number	Qty.	Description
1	K20912569		BRACKET GRILLE SUPPORT
2	PD020010		10 X 3/8 GREEN GROUNDING SCREW
3	M0104106		CLIP-CORD VM0104106
4	PC920204		HINGE ASM UL
NI	PC920203		HINGE ASM UR
5	000570-000		HEX SCREW
6	10743201		DRIER, HI SIDE
7	F2097740		TUBE PROCESS
8	F2096669		TUBE-DRIER COND
9	10547001		CLIP-DRIER V10547001
10	PD020195		SCR 8-18 X 5/8
11	G5096494		COND. FAN ASSY
12	F2096507		TUBE-PROCESS GRN
13	G50911820		COMPRESSOR KIT (INCLUDES DRIER)
14	F20910729		TUBE DISCHARGE FORMED AF AR 36
15	M0221523		SCREW - SHLDR
16	PE970608		POWER SUPPLY 24 VDC 15 W
17	M0104102		CLIP-CORD RED
18	10835901		GROMMET RUBBER V10835901
19	002573-000		CLAMP CORD
20	PB920171		CONDENSER ASM
21	G50915958		ASM AR SABBATH MODE RELAY
22	M0327801		SPLICE TAP
23	PE070849		INVERTER
24	PD020194		SCREW-SM



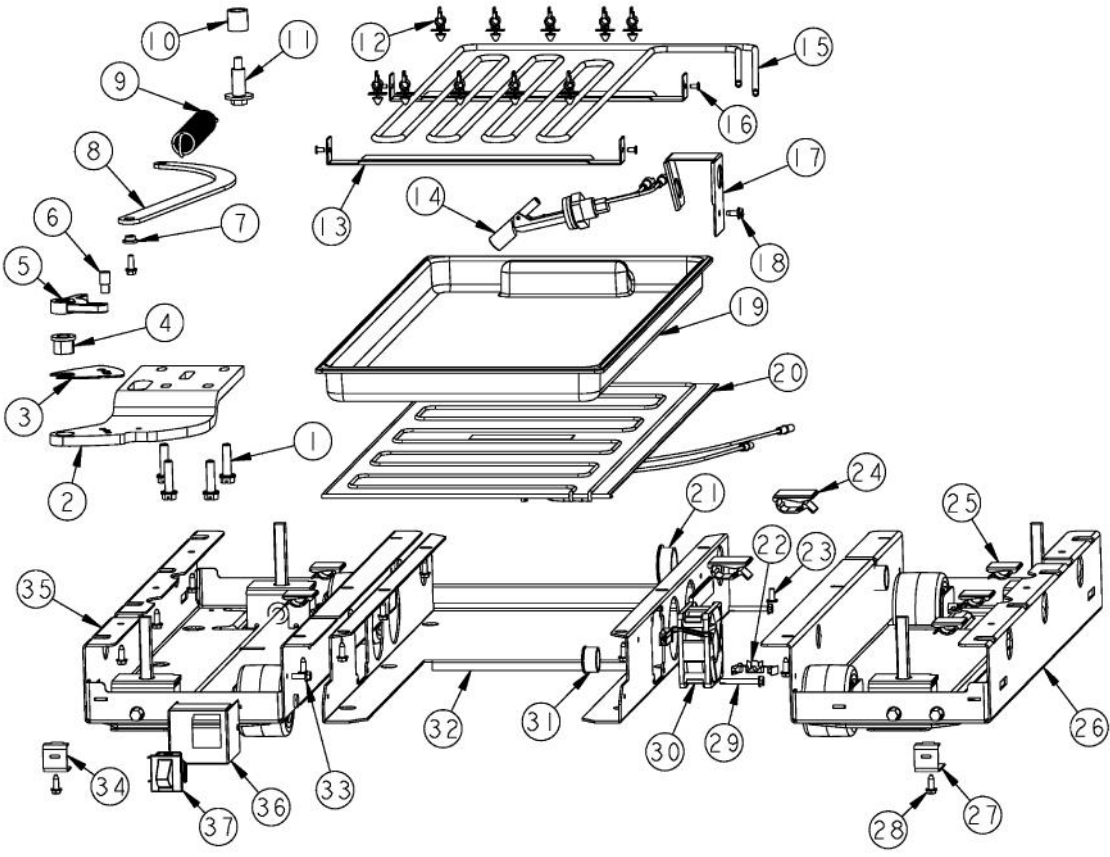
Ref #	Part Number	Qty.	Description
1	G32911177		GRILLE ASM 36 FOL L (FOR BREAKDOWN SEE PAGE 010)
NI	G32911178		GRILLE ASM 36 FOL R (FOR BREAKDOWN SEE PAGE 010)
2	M0210458		SCREW-SM
3	000147-002		KICKPLATE, LWR
4	40370P01		NYLON FLAT WASHER V40370P01
5	C9099206BK		GRILLE TOE VENTED 36 LH XBKX
NI	C90910759BK		GRILLE TOE VENTED 36 XBKX
6	M0210443		SCREW-E SM
7	PK920066		SIDE TRIM
NI	G32915028		COMPLETE TOE GRILLE ASSEMBLY - LEFT HINGE (CONTAINS ITEMS NO. 3 - NO. 6)
NI	G50915027		GRILLE TOE ASM AF AR 36 R (CONTAINS ITEMS NO. 3 - NO. 6)



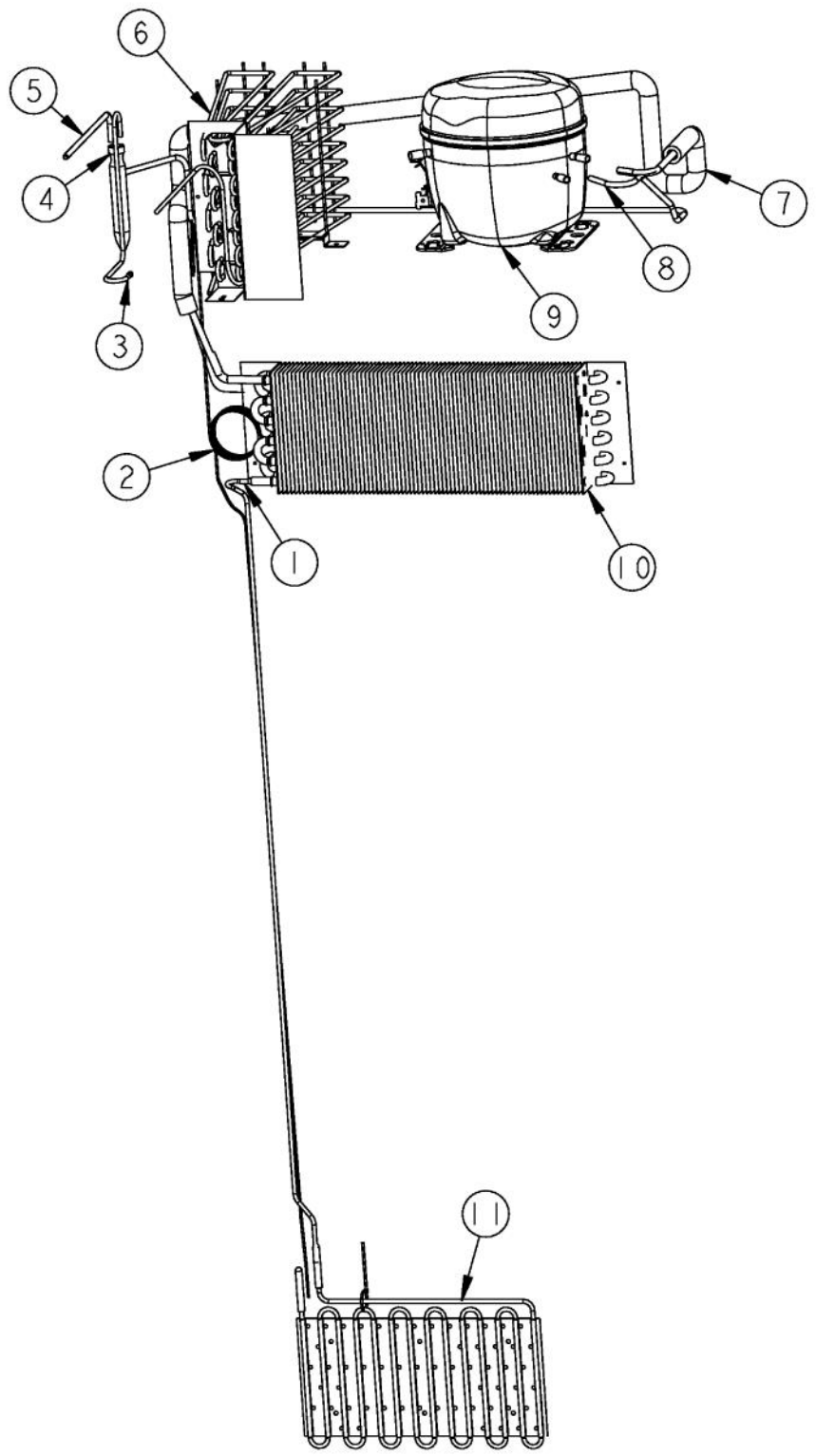
Ref #	Part Number	Qty.	Description
1	K2099931		MC TOP 36
2	PK910089		BRACKET, ANTI - TIP
3	M0223509		SCREW-LAG
4	M0270510		WASHER
5	PB970171		MC INSULATION - BACK SIDE
6	K20915675		BRACKET PSM
7	PD040157		BEARING SLEEVE
8	A4554806		BUSHING-SNAP VA4554806
9	PC040010		POP RIVET
10	K2099459		MC SIDE R
11	PB070355		INSULATION MC COVER
12	M0213147		SCREW-SM
13	PK050004		BRACKET GRILLE
14	PM910505		GRILLE SPACER 36 FOL
15	PM910418		GRILLE LOUVER UPPER AF AR 36 DES FOL
16	PM910072		COVER - END CAP 12119802
17	M0215318		SCREW-SM
18	PM910348		ENP CAP GRILLE R
19	PM910429		GRILLE LOUVER MID AF AR 36 DES FOL
20	M0230028		SCREW-TC
21	PM910084		SUPPORT GRILLE 12201201
22	PF930523		GRILL BLADE LABEL (REFRIGERATOR)
23	PM910419		GRILLE LOUVER LOWER AF AR 36 L DES FOL
NI	PM910421		GRILLE LOUVER LOWER AF AR 36 R DES FOL
24	K2099471		BRACKET GRILLE SUPPORT L
NI	K2099470		BRACKET GRILLE SUPPORT R
25	PM910349		END CAP GRILLE L
26	PM910071		COVER - END CAP 12119801
27	PM910511		GRILLE EXTENSION 36 FOL L
28	M0224128		SCREW-SM
29	K20915902		CROSSMEMBER PSM 36
30	PD020233		SCR LAG 5/16-9 GX 5/16X7/16 WAF IHXW 3 S ZN
31	PB070359		INSULATION MC COVER
32	K2099460		MC SIDE L
33	PB070358		INSULATION MC COVER
34	K2099933		MC BACK 36
35	K2099455		SUPPORT MC Z
36	PD020194		SCREW-SM



Ref #	Part Number	Qty.	Description
1	PB970187		INSULATION TUBING 57.500
2	G50914135		ASM FAN MOUNTING AR 36
3	F2099936		TUBE SUCTION AR 36
4	PM910455		EVAPORATOR AR 36 30
5	PB070288		1/4 X 1/2 CLOSED CELL SPONGE
6	PD040150		WASHER FLAT NYLON NO.10
7	K20914102		ANGLE UPR EVAP MNT AR 30 36
8	G50914189		DRAIN PAN ASM UPPER AR36
9	M0104106		CLIP-CORD VM0104106
10	F20913720		TUBE EVAP AR 36
11	PM910496		MS HEAT EXCH ASM AR 36 30
12	PD020032		SRW-8(A)X3/8PH.WFR HD 7/16DIAXNICL
13	PK030445		PAN DRAIN LOWER EVAP AR 30 36
14	PD030148		CLAMP CABLE ALUMINUM .500 DIA. (AL-8 CLAMP)
15	PD020194		SCREW-SM
16	F20912568		CAPILLARY TUBE
17	PK030446		DRAIN VERTICAL AR 30 36
18	PD020238		SCR WH HEX WSHR HD SLTD NO.8-18 X 1/2



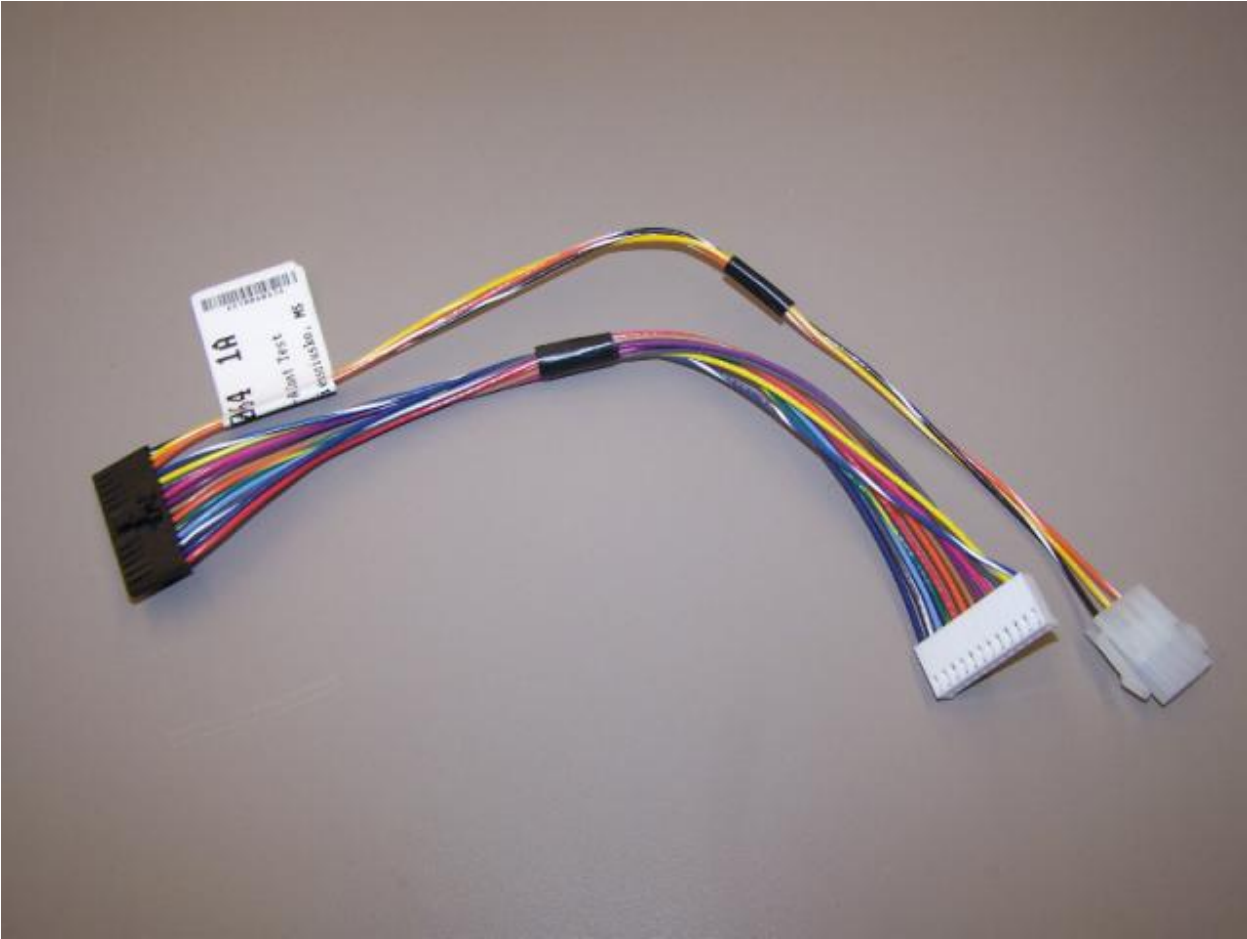
Ref #	Part Number	Qty.	Description
1	000570-000		HEX SCREW
2	PC020289		HINGE PLATE LL
	PC920215		HINGE PLATE SXS LR
3	PC920144		PLATE - WC DOOR SHIM
4	PD940090		BUSHING - WC DOOR LEVEL
5	PD940091		BUSHING - DOOR STOP
6	PC920145		PIN - DOOR STOP
7	PD940094		BUSHING
8	PC920149		BAR-WC BOT HINGE LH
	PC920166		BAR-WC BOT HINGE RH
9	PC910015		SPRING EXTENSION
10	PD940107		ROUND SPRING SPACER
11	M0221523		SCREW - SHLDR
12	PD030146		STAND OFF LOCK CLIP
13	K20911831		BRACKET CONDENSATE SUPPORT
14	PE050248		FLOAT SWITCH HORIZONTAL
15	F20915696		SERPENTINE CONDENSER DRAIN
16	PC040010		POP RIVET
17	B20915627		BRACKET HORIZ FLOAT SWITCH
18	M0253916		SCREW-TF
19	PK930348		PAN DRAIN
20	G50914125		TRAY PAN HEATER
21	A4554817		BUSHING-SNAP VA4554817
22	M0327801		SPLICE TAP
23	PD020010		10 X 3/8 GREEN GROUNDING SCREW
24	M0104102		CLIP-CORD RED
25	M0104106		CLIP-CORD VM0104106
26	PM910398		LEVELER ASSEMBLY - R
27	K2098044		BRKT GRILLE SUPPORT
28	PD020194		SCREW-SM
29	PD020274		SCR SLTD HEX WSHR HD 8X1.250 BT
30	000731-000		AXIAL FAN
31	A4554806		BUSHING-SNAP VA4554806
32	K20915952		SHIELD BOTTOM DRAIN
33	M0220417		SCREW-TC
34	K2098096		BRKT GRILLE SUPPORT
35	PM910399		LEVELER MODULE L
36	002668-000		SWITCH,GRILLE,MT,LH
NI	002667-000		SWITCH,GRILLE,MT,RH
37	PE950147		SWITCH SPST NC BLACK
NI	PK930424		VALVE POP UP ASM



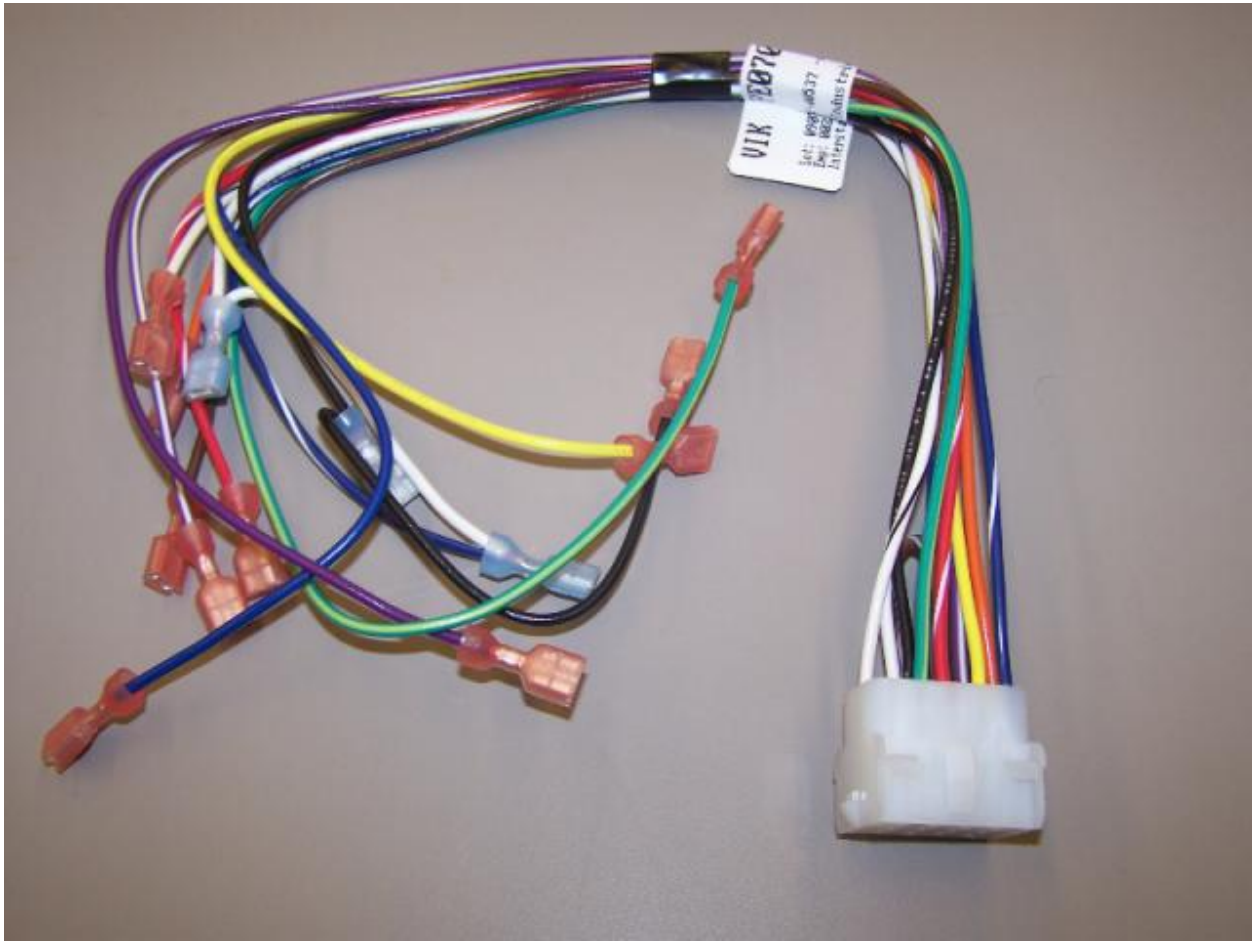
Ref #	Part Number	Qty.	Description
1	F20913720		TUBE EVAP AR 36
2	F20912568		CAPILLARY TUBE
3	F2096669		TUBE-DRIER COND
4	10743201		DRIER, HI SIDE
5	F2097740		TUBE PROCESS
6	PB920171		CONDENSER ASM
7	F2099936		TUBE SUCTION AR 36
8	F20910729		TUBE DISCHARGE FORMED AF AR 36
9	G50911820		COMPRESSOR KIT (INCLUDES DRIER)
10	PM910455		EVAPORATOR AR 36 30
11	PM910496		MS HEAT EXCH ASM AR 36 30

*No Image
Available*

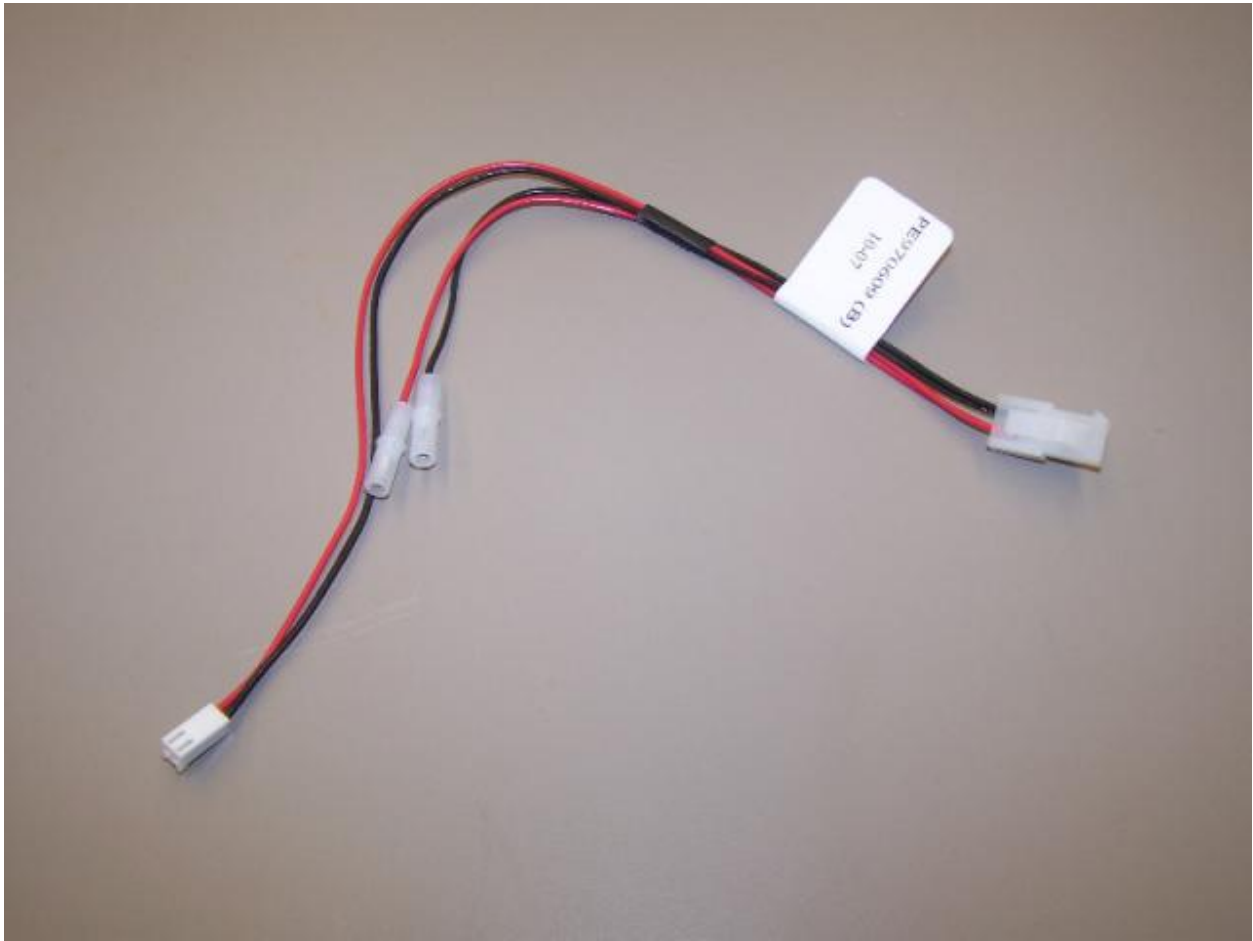
Ref #	Part Number	Qty.	Description
1	PE070877		HARNESS MACHINE COMP AR



Ref #	Part Number	Qty.	Description
1	PE970464		HARNESS LOW VOLT



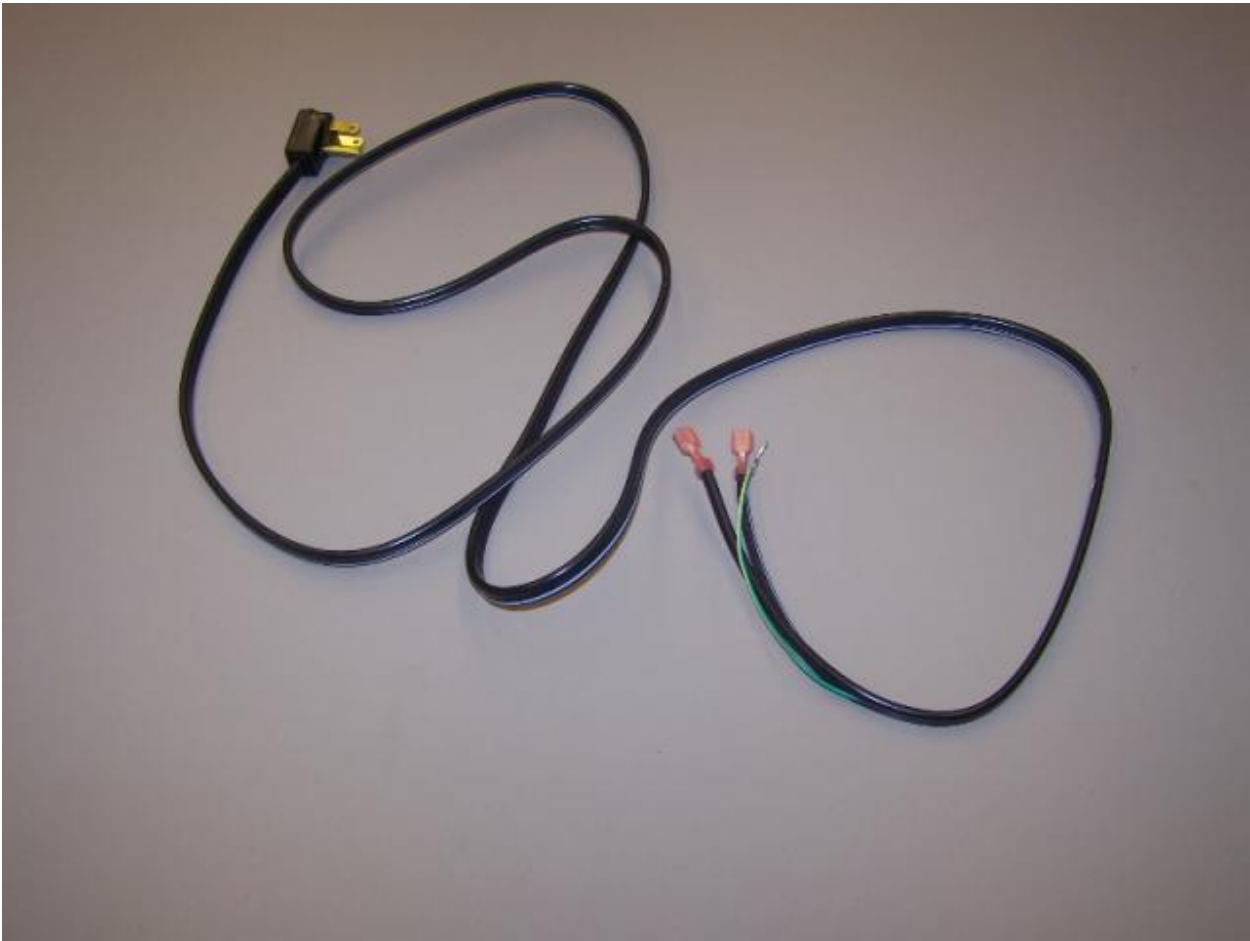
Ref #	Part Number	Qty.	Description
1	PE070785		HARNESS HIGH VOLT



Ref #	Part Number	Qty.	Description
1	PE970609		HARNESS CONTROL BOARD

*No Image
Available*

Ref #	Part Number	Qty.	Description
1	PE970641		JUMPER FAN RESISTOR



Ref #	Part Number	Qty.	Description
1	10916507		TUBE-PROCESS GRN