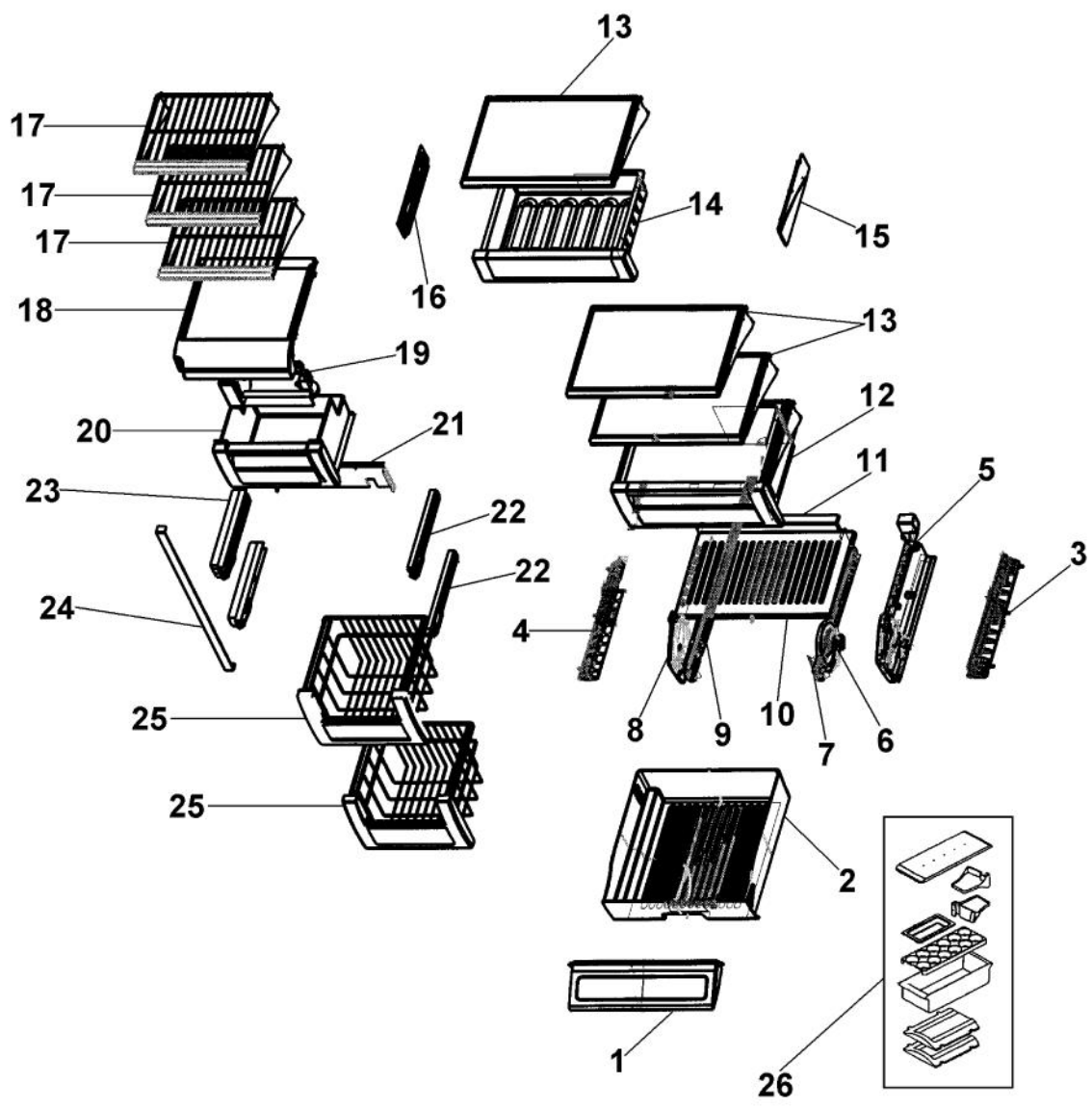
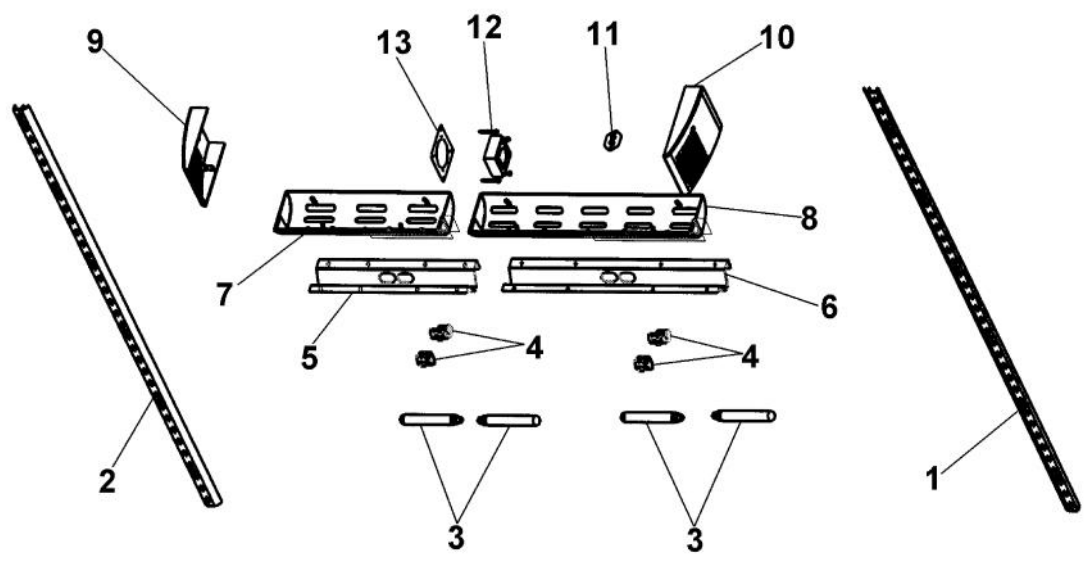


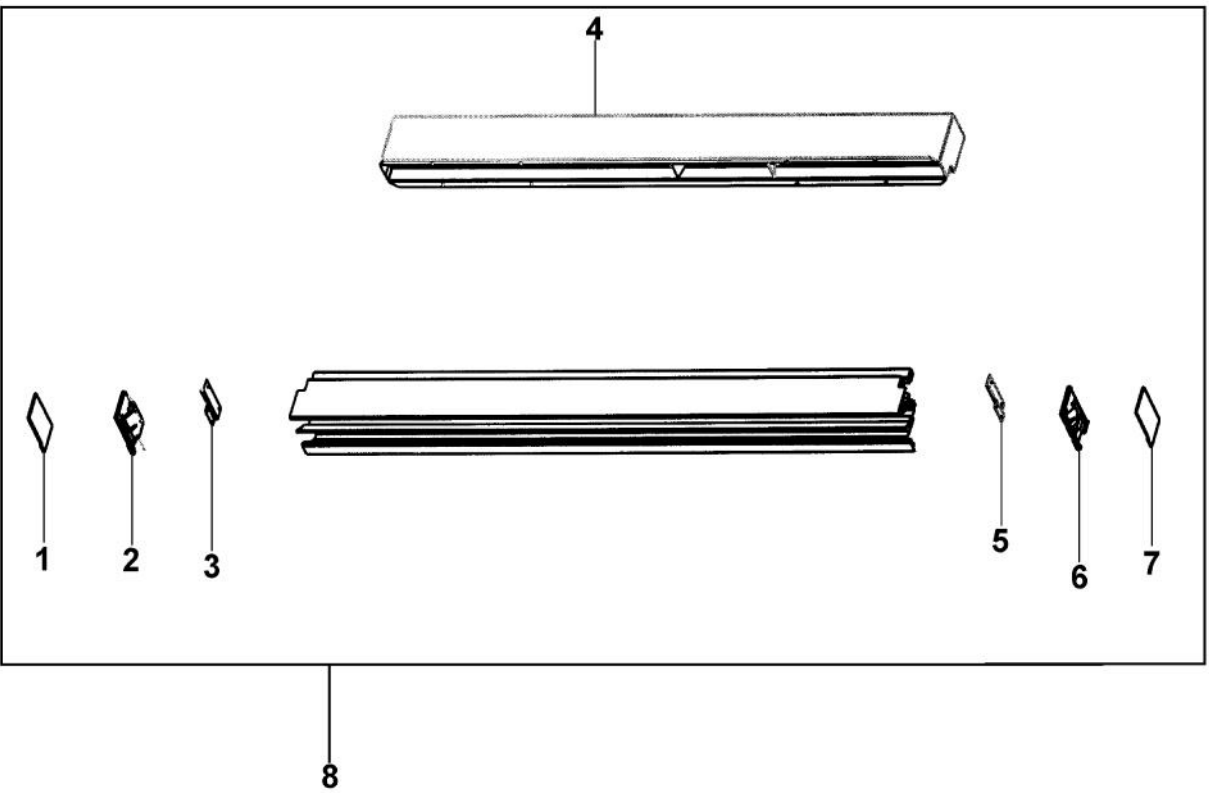
Ref #	Part Number	Qty.	Description
1	PM910154		LEVELER MODULE ASSY. (RIGHT)
NI	PA970142		WATER VALVE
2	PE950146		SWITCH SPDT BLACK
3	C2098045		LIGHT SWITCH BRACKET - REF. DOOR
4	C2098046		BASE GRILLE - SWITCH MNT RH
5	12071301		PAN-DRAIN (NON-ANTIMICROBIAL) (BEFORE 02/07/05)
	PK930348		PAN DRAIN (AFTER 02/07/05)
6	C2098044		STAND OFF, BASE GRILLE - RH
7	K2096427		BRKT-SHIPPING 12071102
8	C2098096		STAND OFF, BASE GRILLE - LH
9	K2099456		RAIL PAN R
10	K2099457		RAIL PAN L
11	F2096550		SERPENTINE DRAIN SXS
12	PC910015		SPRING EXTENSION
13	PC920166		BAR-WC BOT HINGE RH
14	PD940091		BUSHING - DOOR STOP
15	PC920144		PLATE - WC DOOR SHIM
16	PC920187		HINGE PLATE LL
17	PC920186		HINGE PLATE LR
18	G3298649		HINGE ASM COMPLETE LL
19	G3298648		HINGE ASM COMPLETE LR
20	12075003		MOTOR-REF FAN
21	PM910155		LEVELER MODULE L
22	G5097788		GRILLE TOE ASM COMPLETE 42
23	PC920149		BAR-WC BOT HINGE LH
24	PE950147		SWITCH SPST NC BLACK
25	M0221523		SCREW - SHLDR
26	PC920145		PIN - DOOR STOP
27	K2096439		ANGLE-DRAIN PAN 12143801
28	12071201		CLIP-DRAIN LOOP



Ref #	Part Number	Qty.	Description
1	PK930119		DELI LID
2	PK930114		DRAWER MEAT SAVOR SXS 42
3	PK930173		SUPPORT SLIDE MEAT SAVOR SXS 42/48 R
4	PK930174		SUPPORT SLIDE MEAT SAVOR SXS 42/48 L
5	PK930169		DUCT MEAT SAVOR SXS 42/48 R
6	PK930168		DIAL CONTROL MEAT SAVOR
7	PK930175		SUPPORT DRAWER MEAT SAVOR SXS 42/48 R
8	PK930170		DUCT MEAT SAVOR SXS 42 L
9	PK930176		SUPPORT DRAWER MEAT SAVOR 42/48 L
10	PK930120		SHELF MEAT SAVOR SXS 42
11	PK930171		DUCT MEAT SAVOR SXS 42 REAR
12	009927-000		PRODUCE 42
13	PM910236		GLASS SHELF
14	PK930121		DRAWER DELI ASM SXS 42
15	PK930189		SLIDE SUPPORT (RIGHT)
16	PK930190		SLIDE SUPPORT (LEFT)
17	PM910189		SHELF WIRE FZ
18	PK930079		SHELF COVER SXS 48 FZ
19	G50911858		ICE MAKER ASM, SXS ND, AF
20	PK930076		ICE PAN ASM SXS 48
21	C2097183		SUPPORT IM ND SXS 48
22	PK930074		GLIDE SXS 48 FZ R
23	PK930075		GLIDE SXS 48 FZ L
24	PK930073		CLOSEOUT SIDE SXS 48 FZ L
25	PM910190		BASKET ASM FZ
26	PM910332		ACCESORY ASSY

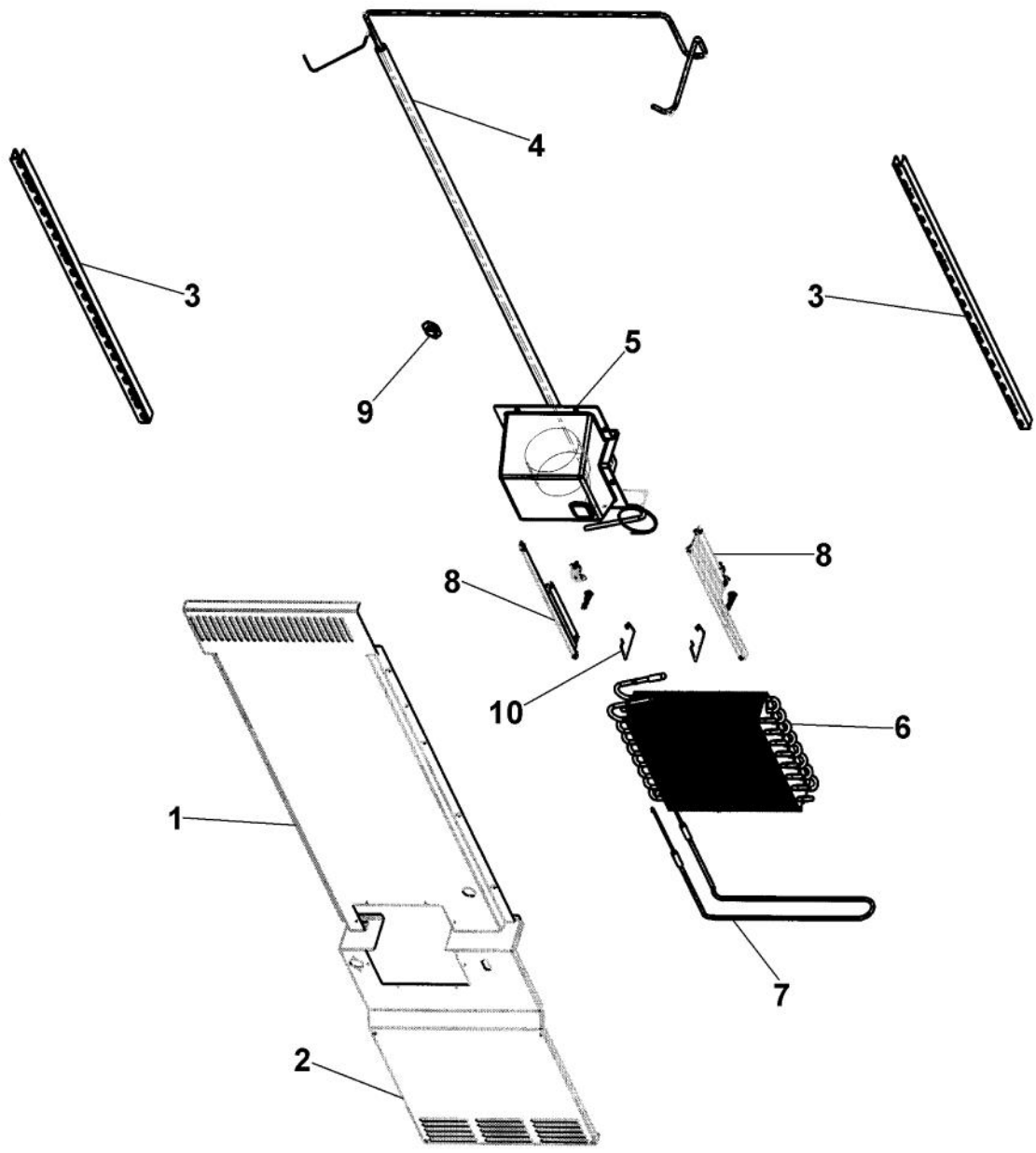


Ref #	Part Number	Qty.	Description
1	PK920024		LADDER FF R
2	PK920023		LADDER FF L
3	A3079001		LAMP - 40W
4	PE950125		LIGHT SOCKET
5	L2099453		BRACKET, FRZ. LIGHT
6	L2099452		BRKT LIGHT FF SXS
7	PK930116		COVER LIGHT ASM SXS 42 FZ
8	PK930115		COVER LIGHT ASM SXS 42 FF
9	PK930086		COVER FAN SXS 48 FZ
10	PK930085		COVER FAN SXS 48 FF
11	C8983701		THERMISTOR
12	12075003		MOTOR-REF FAN
13	K2096475		PLATE-FAN MNT 12404701
NI	10281601		SOCKET-SGL LIGHT
NI	10270203		HOUSING-LIGHT V10270203
NI	10270101		COVER, LIGHT
NI	013112-000		NOISE REDUCTION FAN KIT

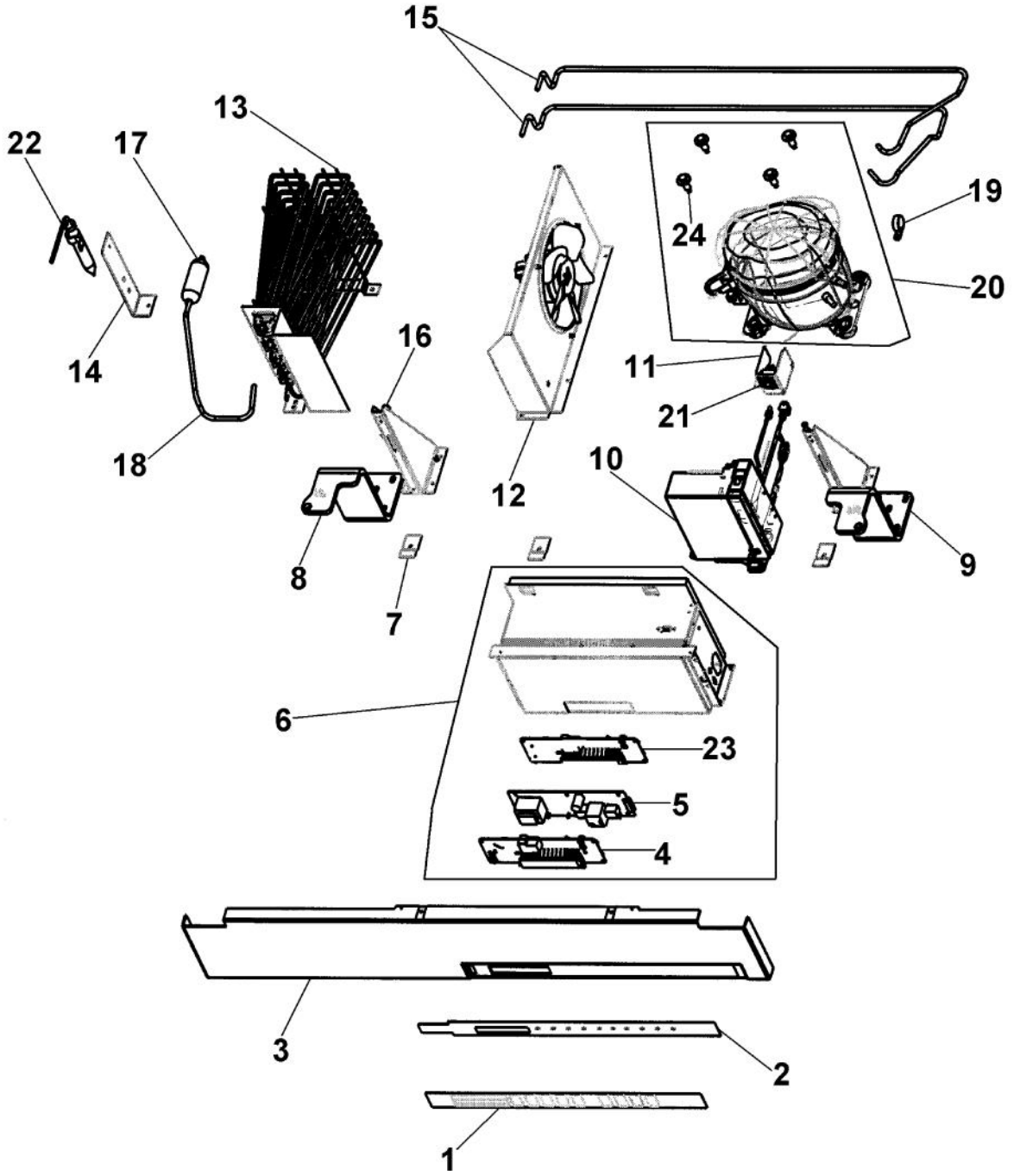


Ref #	Part Number	Qty.	Description
1	PM910071		COVER - END CAP 12119801
2	PM910349		END CAP GRILLE L
3	C9099471BK		BRACKET GRILLE SUPPORT DES L
4	G3097768		AIR DUCT WELD ASM 42
5	C9099470BK		BRACKET GRILLE SUPPORT DES R
6	PM910348		ENP CAP GRILLE R
7	PM910072		COVER - END CAP 12119802
8	G3298674		GRILLE ASM SXS 42 FOL

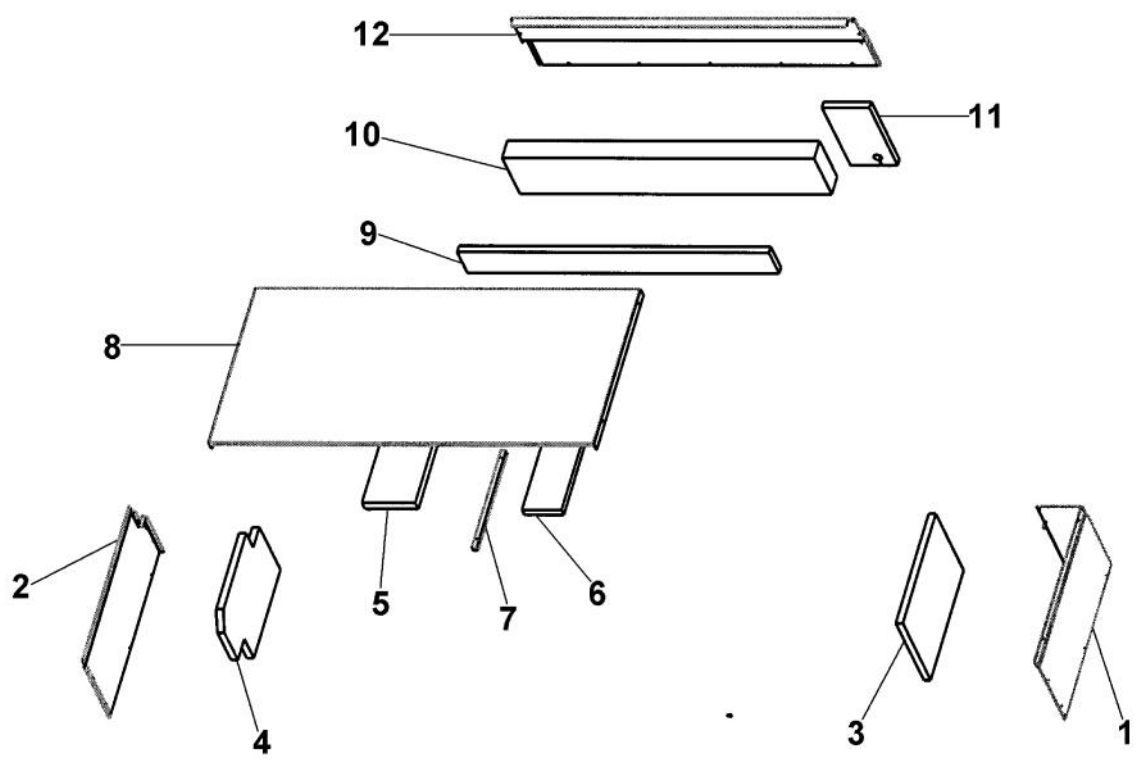




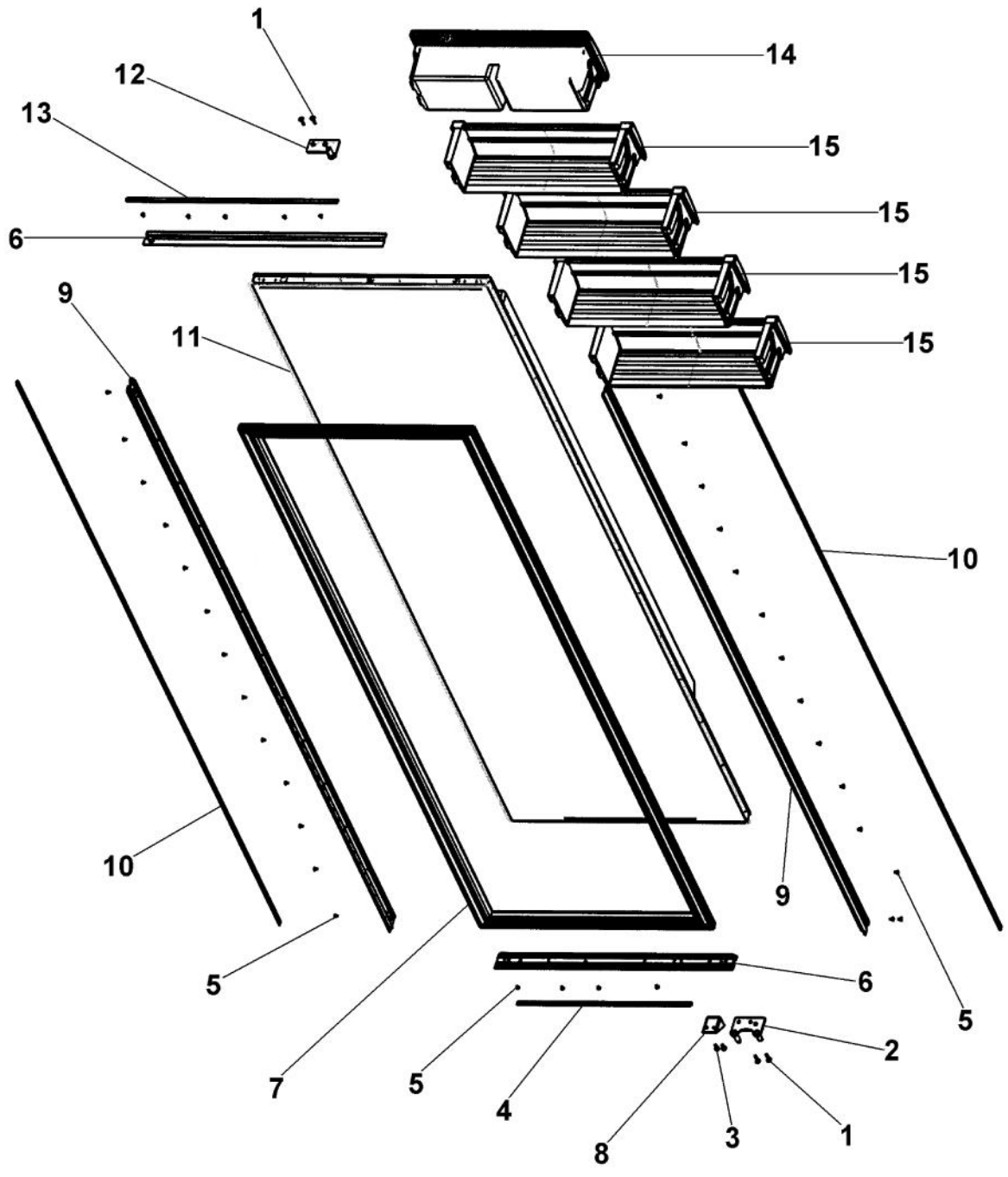
Ref #	Part Number	Qty.	Description
1	L2097181		COVER EVAP UPPER SXS 48
2	L2097182		COVER EVAP LOWER SXS 48
3	12231701		LADDER-FZ L/R SIDE
4	F2097793		TUBE FORMED HT EXCH
5	PK930150		COVER CTR EVAP
NI	G5098660		FAN EVAP ASM
6	PM910206		EVAPORATOR SXS 48
7	PJ910031		HEATER EVAP SXS
8	K2096461		BRKT-EVAP COVER 12234801
9	C8983701		THERMISTOR
10	10527401		CLIP-EVAP
NI	PB910259		THERMOSTAT DEFROST TERMINATOR



Ref #	Part Number	Qty.	Description
1	PE980003		OVERLAY KEYBOARD SXS 42
2	PE950135		SWITCH, KEYBOARD
3	PK930230		CONTROL PANEL SXS 42
4	PE970481		BOARD, LOW VOLT PC (AFTER 7/10/03)
	G5099919		(AFTER 7/10/03) LOW VOLTAGE BOARD KIT (BEFORE 7/10/03)
NI	PE970482		(BEFORE 7/10/03) SUB TO PE970464 - HARNESS LOW VOLT
			(AFTER 7/10/03)
5	PJ934002		BOARD, HIGH VOLT PC
NI	12271701		HARNESS-HIGH VOLT V12271701
6	NOT ORDERABLE		COMPLETE CONTROL ASSEMBLY
7	K2096943		PANEL BRACKET
8	PC920204		HINGE ASM UL
9	PC920203		HINGE ASM UR
10	G5098300		INVERTER ASSEMBLY
11	K2098654		BRACKET SWITCH POWER
12	G5096494		COND. FAN ASSY
13	PB920171		CONDENSER ASM
14	K2099454		BRACKET DRIER
15	F2099443		TUBE DISCHARGE FORMED PRE ACCUM
16	C2097595		LOUVER SUPPORT BRACKET
17	PB920201		ACCUMULATOR
18	12075003		MOTOR-REF FAN
19	M0102303		CLAMP-TUBE VM0102303
20	G5097976		COMPRESSOR ASSEMBLY (363 AND 483)
21	12074801		SWITCH, POWER
22	10743201		DRIER, HI SIDE
23	PE970330		ADAPTER BOARD
NI	PE970331		HARNESS ADAPTER BOARD
24	M0221523		SCREW - SHLDR

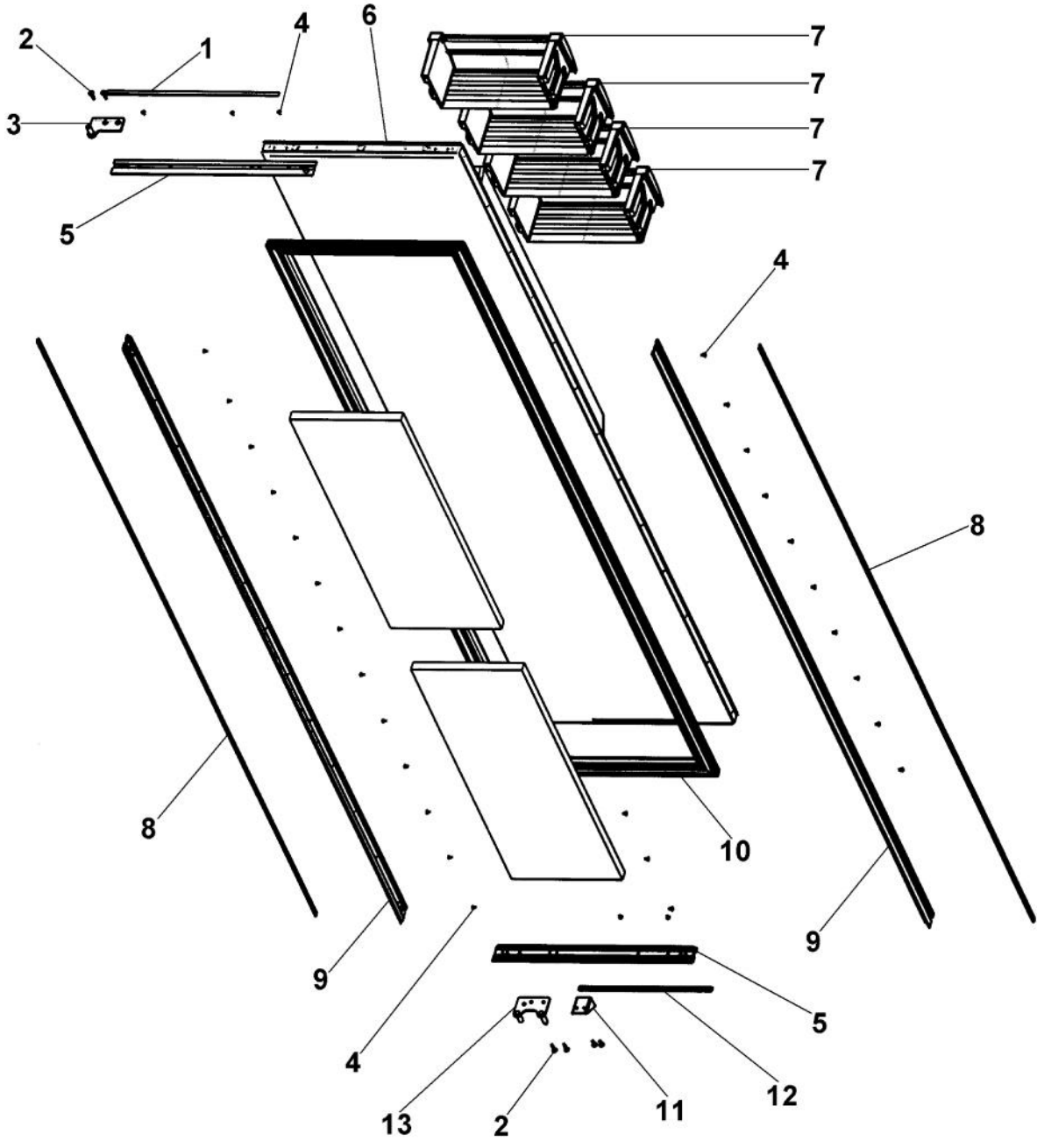


Ref #	Part Number	Qty.	Description
1	K2099459		MC SIDE R
2	K2099460		MC SIDE L
3	12074702		INSUL-R MC CVR V12074702
4	12074601		INSUL-L MC CVR V12074601
5	12074704		INSUL-MC CVR
6	12074701		INSUL-MC CVR V12074701
7	K2099455		SUPPORT MC Z
8	K2099458		MC TOP SXS 42
9	PB970169		INSUL MC BACK SXS 42 UPPER
10	PB970170		INSUL MC BACK SXS 42 LOWER
11	PB970171		MC INSULATION - BACK SIDE
12	K2099461		MC BACK 42
NI	PK910089		BRACKET, ANTI - TIP



Ref #	Part Number	Qty.	Description
1	M0226233		SUB TO PD920174 - 10 X 7/8 PHILLIPS SMA TRI LOBE SA
2	PC920205		PIVOT PL ASM RH LW FOL
3	M0210458		SCREW-SM
4	PM910312		INSERT FRAME DOOR BTM SXS 42 FF FO
5	M0215704		SCREW-SM
6	PM910310		FRAME - TOP / BOTTOM
7	PB970183		DOOR GASKET
8	PD950007		STRIKER SWITCH
9	PM910102		SIDE TRIM
9	008463-000		(BEFORE 7/24/09) FRAME,DOOR,SXS FF/FZ SIDE
10	PM910097		(AFTER 7/24/09)
11	G5098625		INSERT SXS FF/FZ SIDE 12063706
12	PC920204		DOOR ASM SXS 42 FF
13	PM910344		HINGE ASM UL
14	PK930123		INSERT FRAME DOOR TOP SXS 42 FF FO
15	G5098675		DAIRY MODULE ASM SXS 42 DOORBIN ASM SXS 42 FF





Ref #	Part Number	Qty.	Description
1	PM910345		INSERT FRAME DOOR TOP SXS 42 FZ FO
2	M0226233		SUB TO PD920174 - 10 X 7/8 PHILLIPS SMA TRI LOBE SA
3	PC920208		PIVOT PL ASM LH UP FOL
4	M0215704		SCREW-SM
5	PM910311		FRAME - TOP / BOTTOM
6	G5098626		DOOR ASM SXS 42 FZ
7	G5098676		DOORBIN ASM SXS 42 & 48 FZ
8	PM910097		INSERT SXS FF/FZ SIDE 12063706
9	PM910102		SIDE TRIM
9	008463-000		(BEFORE 7/24/09) FRAME,DOOR,SXS FF/FZ SIDE
10	PB970184		(AFTER 7/24/09)
11	PD950007		DOOR GASKET
12	PM910313		STRIKER SWITCH
13	PC920206		INSERT FRAME DOOR BTM SXS 42 FZ FO
			PIVOT PL ASM LH LW FOL