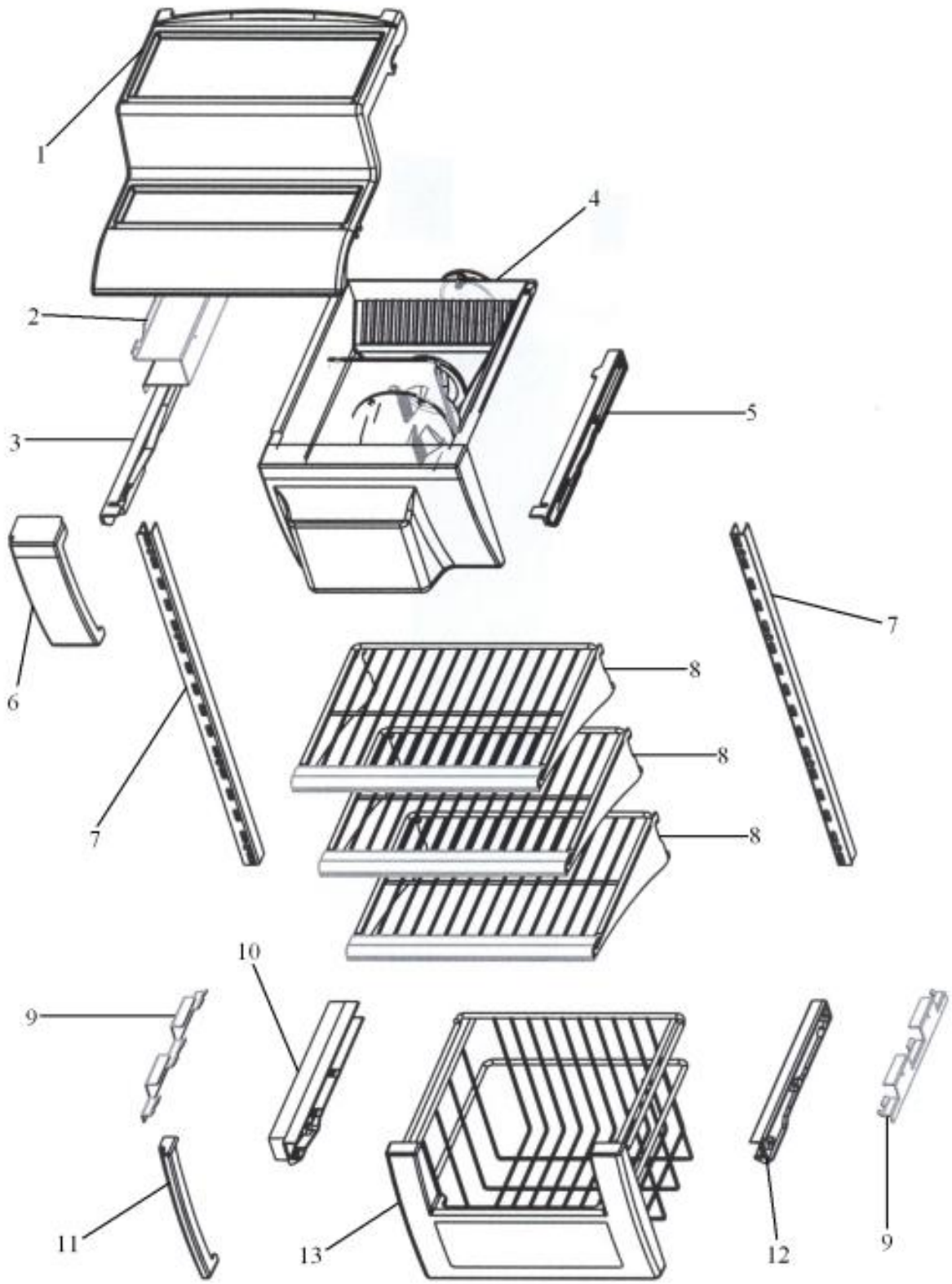
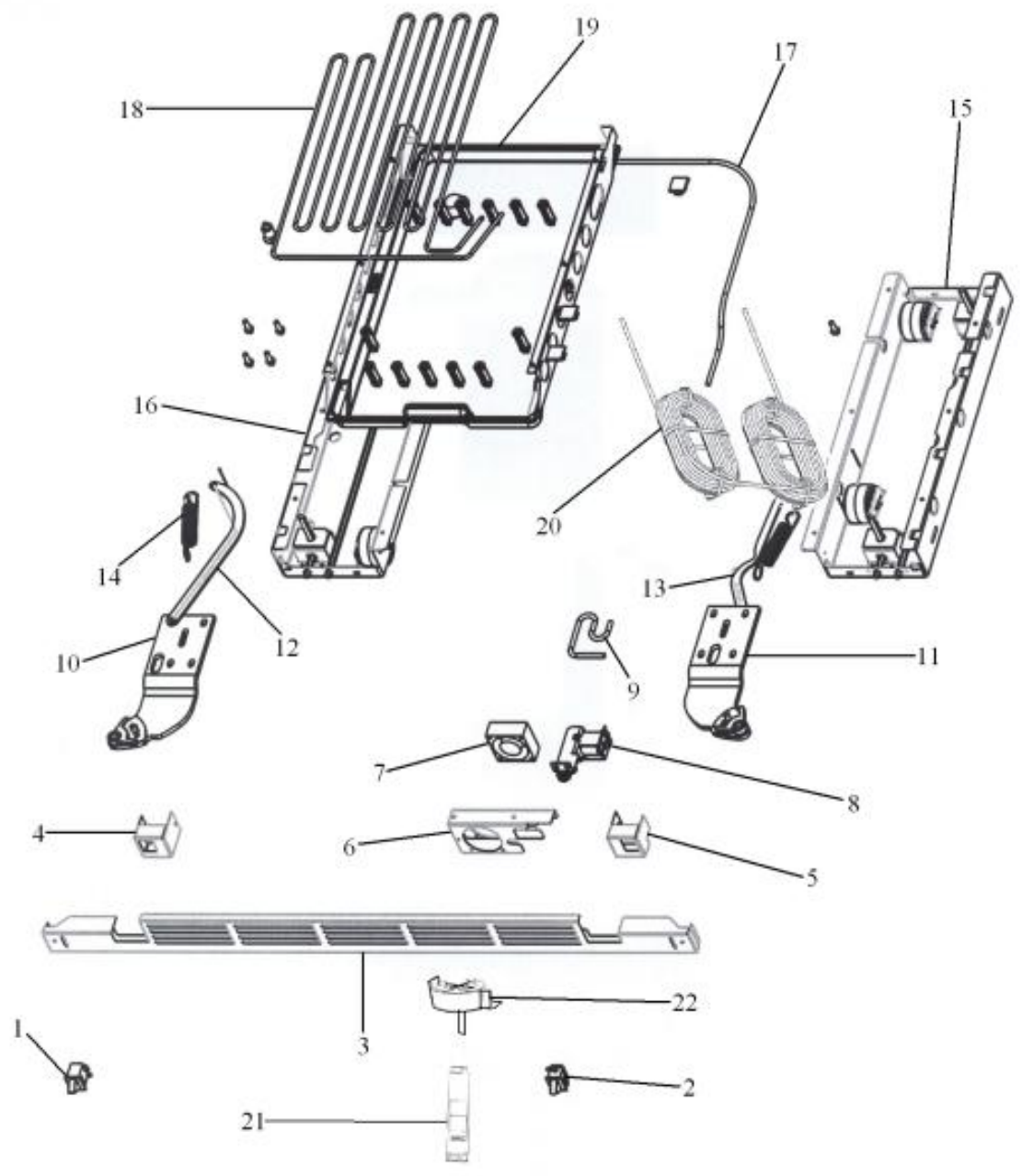


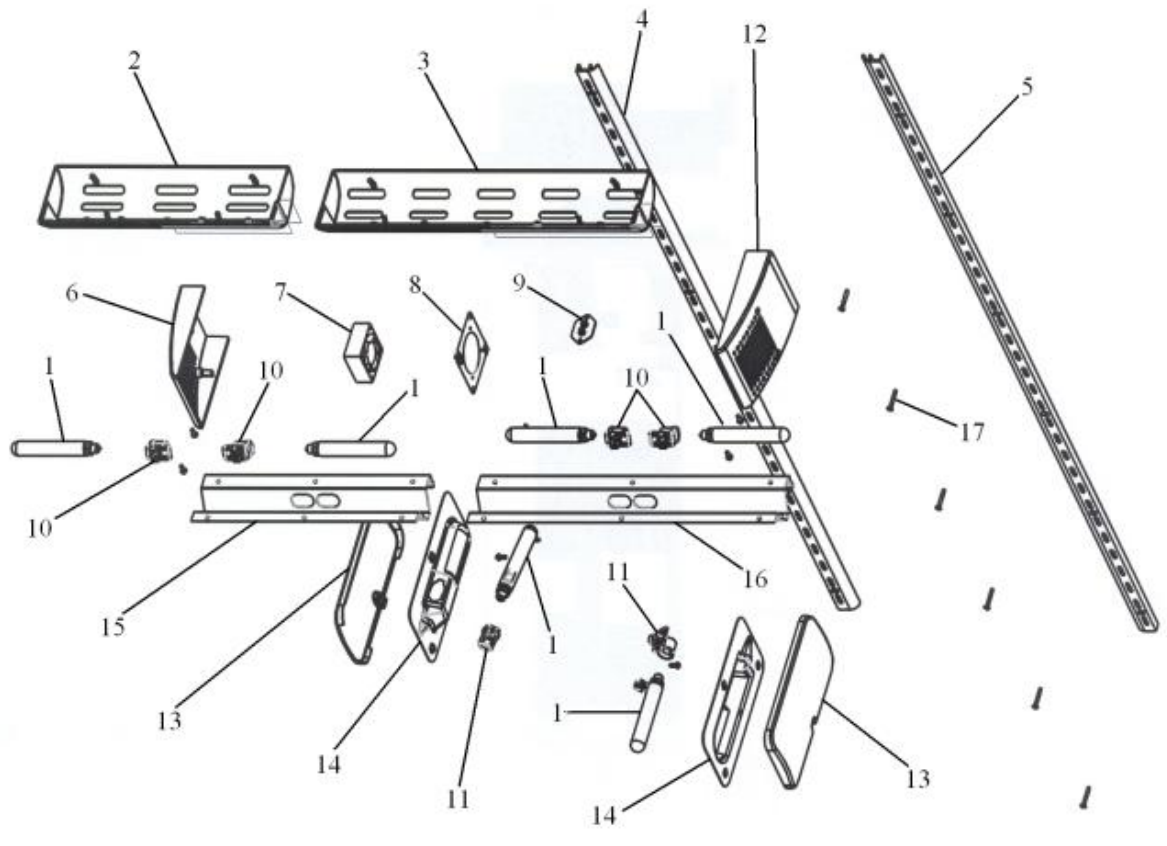
Ref #	Part Number	Qty.	Description
1	PM910236		GLASS SHELF
2	G5099426		SHELF & SLIDE ASM SXS 42
3	G32910068		DRAWER DELI & RAIL ASM SXS 42
4	G32910069		PRODUCE DRAWER & RAIL ASM SXS 42
5	PK930171		DUCT MEAT SAVOR SXS 42 REAR
6	PM910288		SLIDE MEAT SAVOR L
7	PK930176		SUPPORT DRAWER MEAT SAVOR 42/48 L
8	PK930170		DUCT MEAT SAVOR SXS 42 L
9	PK930174		SUPPORT SLIDE MEAT SAVOR SXS 42/48 L
10	PK930173		SUPPORT SLIDE MEAT SAVOR SXS 42/48 R
11	PM910334		ROLLER TENSION
12	PK930172		COVER CONTROL MEAT SAVOR
13	PK930168		DIAL CONTROL MEAT SAVOR
14	PK930169		DUCT MEAT SAVOR SXS 42/48 R
15	PK930175		SUPPORT DRAWER MEAT SAVOR SXS 42/48 R
16	PM910287		SLIDE MEAT SAVOR R
17	G50910716		FALSE FRONT ASM, SXS 42 DISP
18	PK930119		DELI LID
19	PK930114		DRAWER MEAT SAVOR SXS 42
20	PK930120		SHELF MEAT SAVOR SXS 42
NI	PM910332		ACCESSORY ASSY



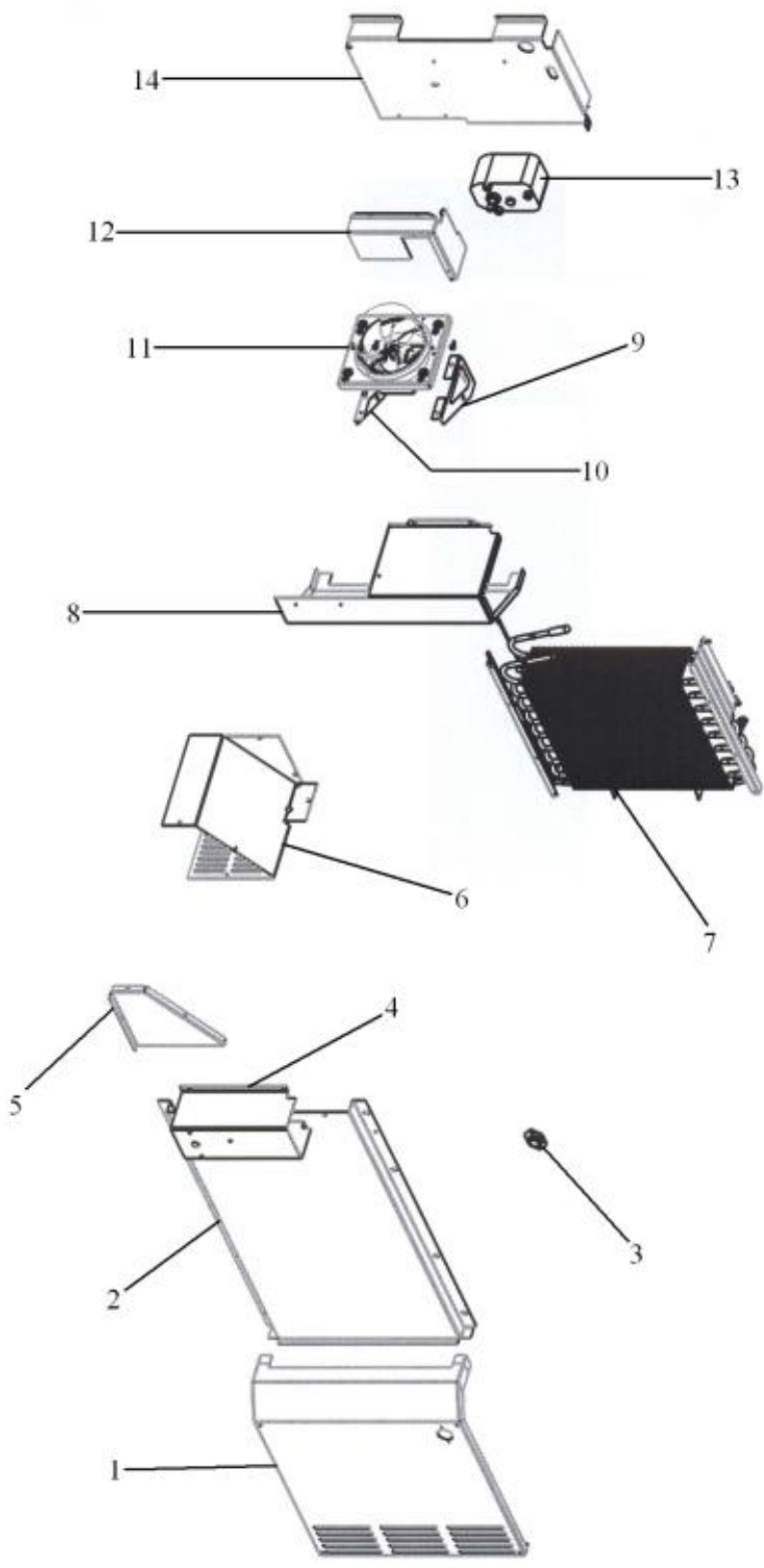
Ref #	Part Number	Qty.	Description
1	PK930264		SHELF COVER
2	C20910027		SUPPORT, LS ICE BUCKET
3	PK930266		GLIDE L FZ
4	PM910331		ICE BUCKET ASSY
NI	G50911858		ICE MAKER ASM, SXS ND, AF
5	PK930265		GLIDE R FZ
6	PK930096		CLOSEOUT - ICE DISPENSER
7	PM910375		LADDER R/L FZ
8	PM910189		SHELF WIRE FZ
9	C20910067		BRACKET SHELF FZ
10	PK930075		GLIDE SXS 48 FZ L
11	PK930107		FZ BASKET SIDE SPACER FRONT
12	PK930074		GLIDE SXS 48 FZ R
13	PM910190		BASKET ASM FZ



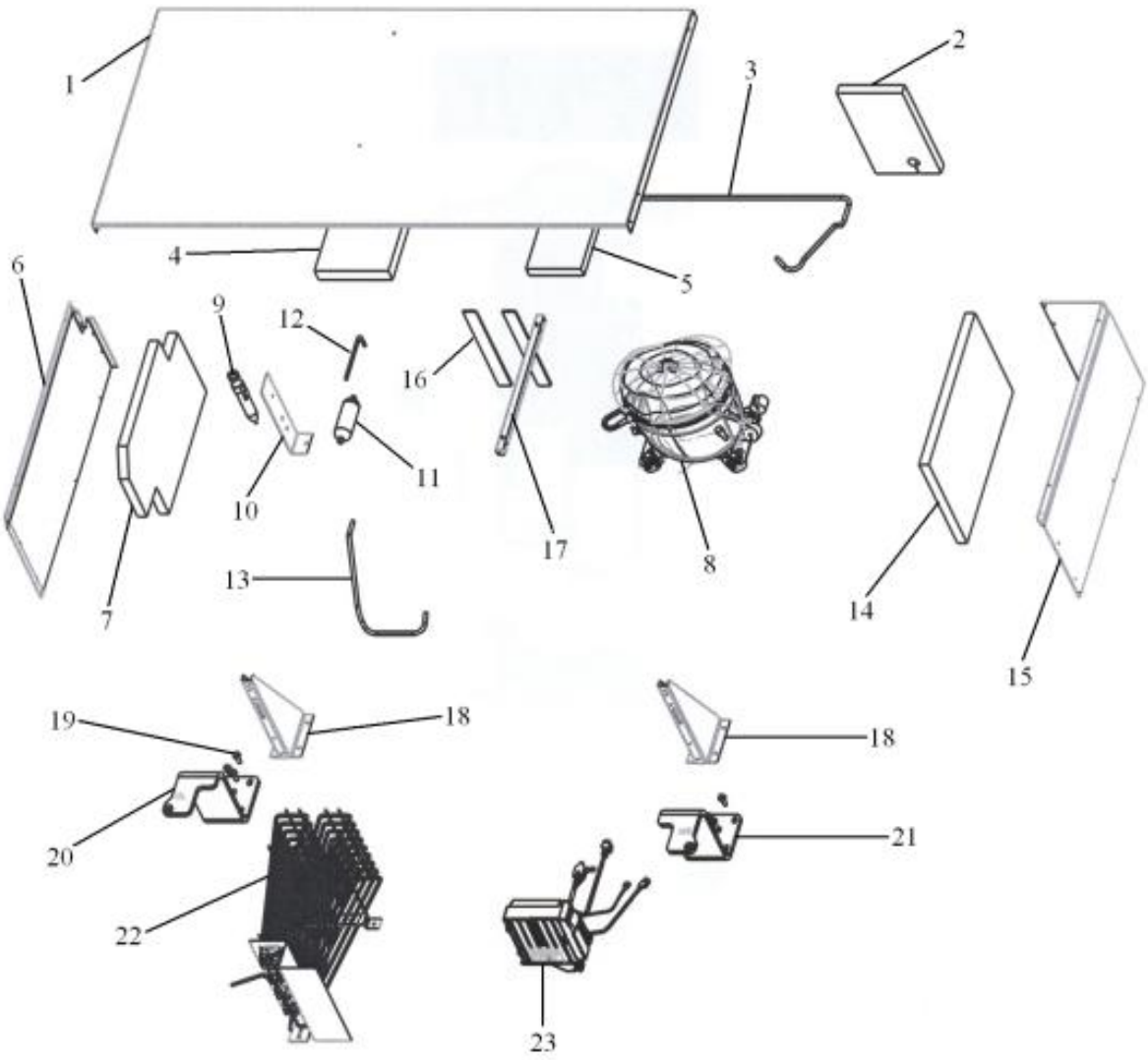
Ref #	Part Number	Qty.	Description
1	PE950146		SWITCH SPDT BLACK
2	PE950147		SWITCH SPST NC BLACK
3	G5097788		GRILLE TOE ASM COMPLETE 42
4	C2098045		LIGHT SWITCH BRACKET - REF. DOOR
5	C2098046		BASE GRILLE - SWITCH MNT RH
6	K2099464		BRACKET FAN & VALVE
7	12075003		MOTOR-REF FAN
8	PA070014		VALVE WATER DOUBLE COMP. INLET (AFTER 05/25/05)
	G50911843		WATER VALVE/BRACKET SVC KIT (BEFORE 05/25/05)
9	PB920202		TUBE WATER VALVE
10	G3298649		HINGE ASM COMPLETE LL
11	G3298648		HINGE ASM COMPLETE LR
12	PC920149		BAR-WC BOT HINGE LH
13	PC920166		BAR-WC BOT HINGE RH
14	PC910015		SPRING EXTENSION
15	PM910398		LEVELER ASSEMBLY - R
16	PM910399		LEVELER MODULE L
17	B5705313		TUBE-PLASTIC NO.
18	F2099467		SXS SERPENTINE
19	12071301		PAN-DRAIN (NON-ANTIMICROBIAL) (BEFORE 02/07/05)
	PK930348		PAN DRAIN (AFTER 02/07/05)
20	PB920223		SUB TO PB020300 - TANK COILED WATER 42 SXS DISP
21	PM910465		FILTER CARTRIDGE MUST HAVE INSTALLED G50911814 KIT BEFORE PM910465 CAN BE USED ON UNITS MADE BEFORE 7/19/04.
22	PM910248		MANIFOLD --- FILTER



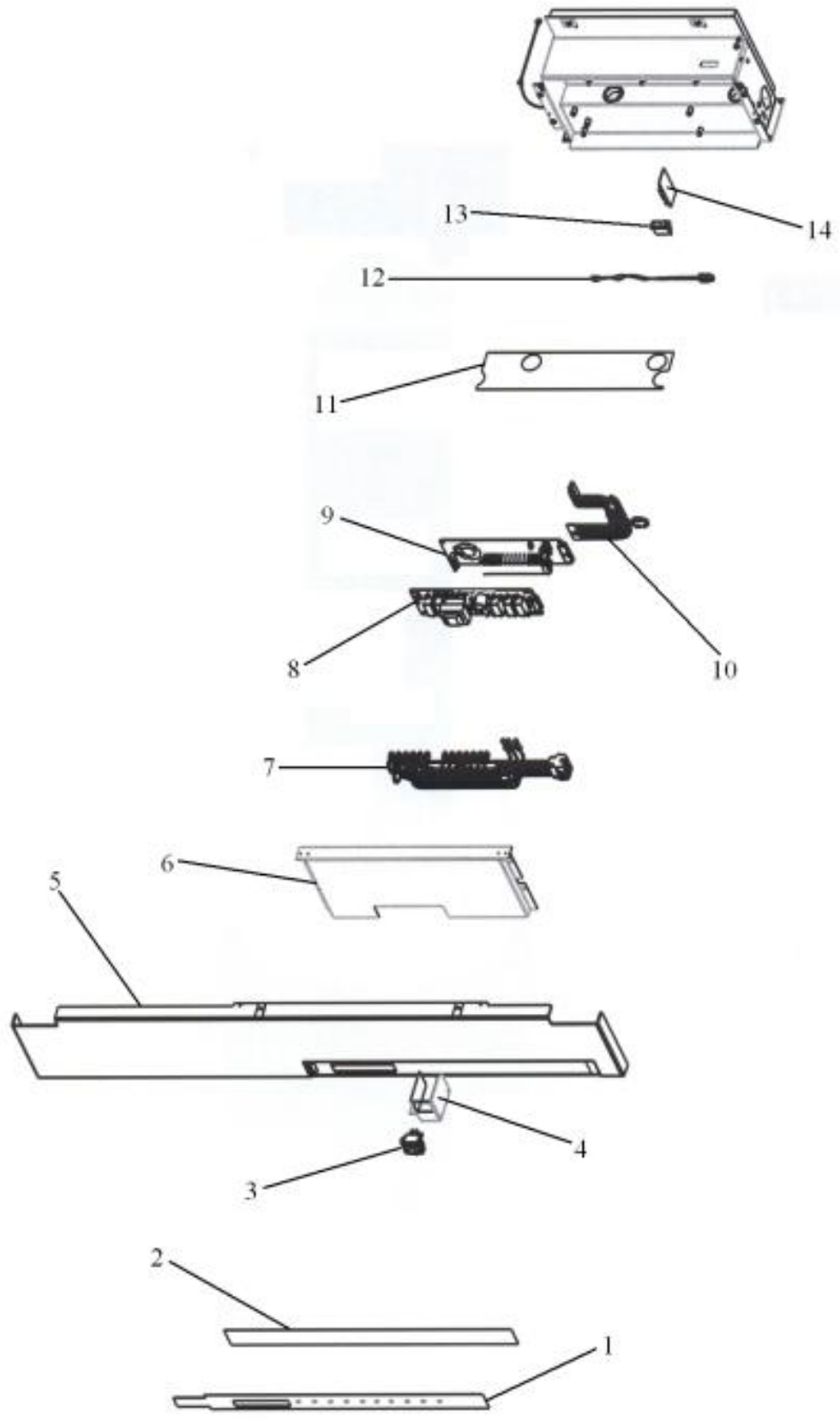
Ref #	Part Number	Qty.	Description
1	A3079001		LAMP - 40W
2	PK930116		COVER LIGHT ASM SXS 42 FZ
3	PK930115		COVER LIGHT ASM SXS 42 FF
4	PM910228		LADDER LS REF
5	PM910227		LADDER RS REF
6	PK930086		COVER FAN SXS 48 FZ
7	12075003		MOTOR-REF FAN
8	K2096475		PLATE-FAN MNT 12404701
9	C8983701		THERMISTOR
10	PE950125		LIGHT SOCKET
11	10281601		SOCKET-SGL LIGHT
12	PK930085		COVER FAN SXS 48 FF
13	10270101		COVER, LIGHT
14	10270203		HOUSING-LIGHT V10270203
15	L2099475		BRACKET LIGHT SXS FZ
16	L2099474		BRACKET LIGHT SXS 42 FF
17	M0238535		SCREW-SM
NI	PK920028		SIDE TRIM - LH



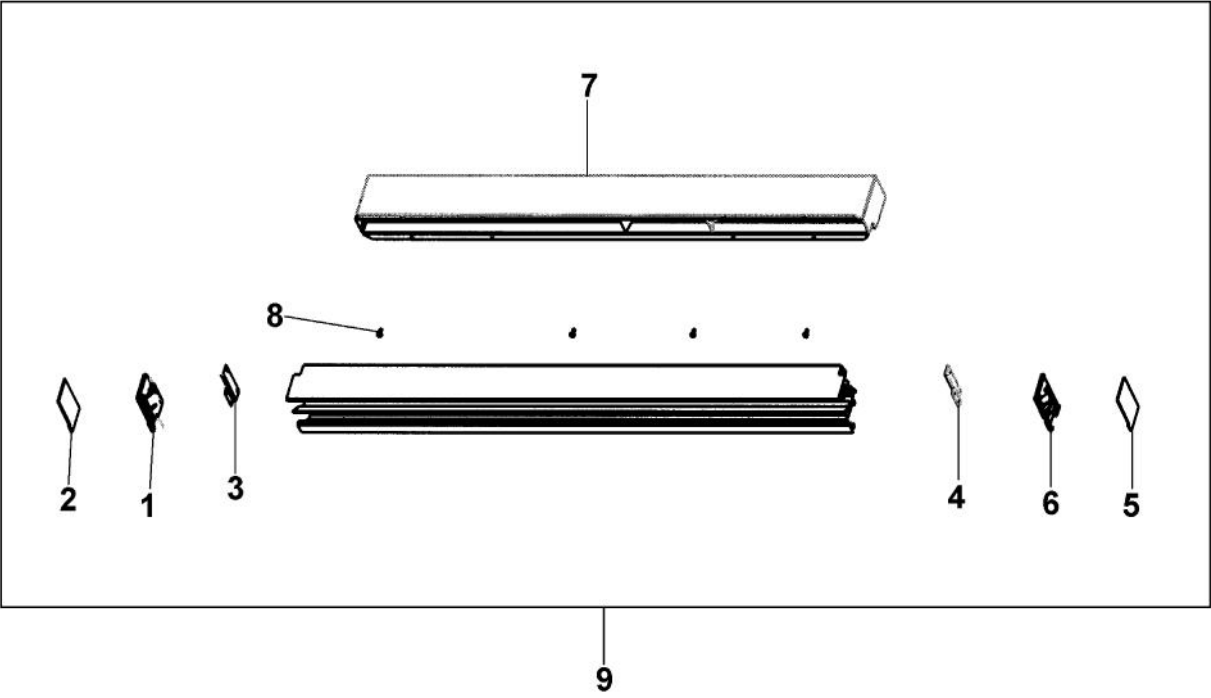
Ref #	Part Number	Qty.	Description
1	L20910054		COVER LOWER EVAP
2	L20910057		COVER CENTER EVAP
3	C8983701		THERMISTOR
4	C20910713		BRCAKET, AUGER MOTOR
5	L20910075		COVER EVAP FAN
6	L20910074		TRAN EVAP FAN
7	G5099446		EVAP ASM SXS 42
8	L20910056		COVER EVAP MOTOR
9	K2096457		BRKT-R-EVAP FAN 12223101
10	K2096458		BRKT-L-EVAP-FAN 12223102
11	G5098660		FAN EVAP ASM
12	L2098027		DUCT - EVAP FAN
13	PE950158		MOTOR AUGER
14	C20910058		COVER UPPER EVAP
NI	PB910259		THERMOSTAT DEFROST TERMINATOR



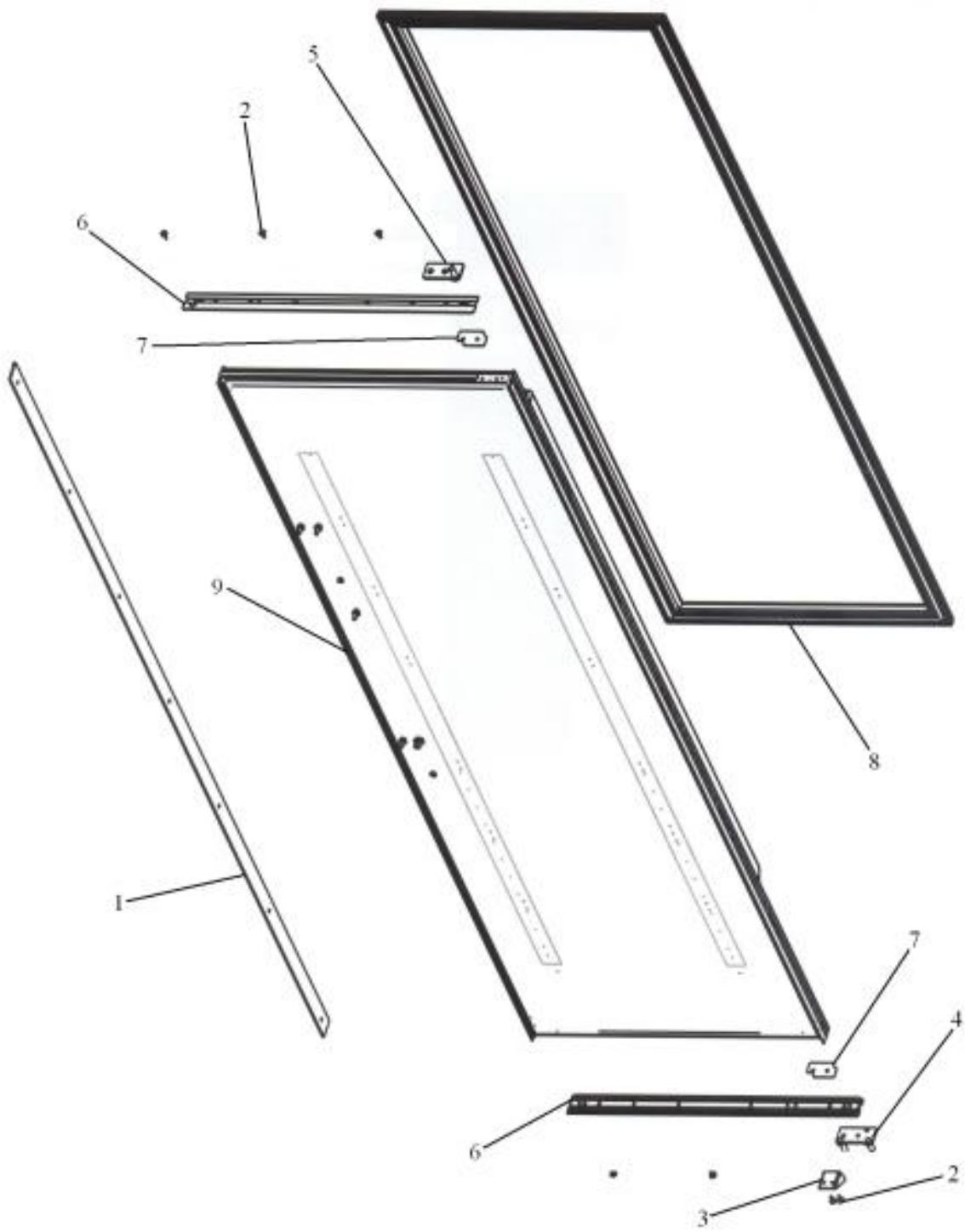
Ref #	Part Number	Qty.	Description
1	K2099458		MC TOP SXS 42
2	PB970171		MC INSULATION - BACK SIDE
3	F2099443		TUBE DISCHARGE FORMED PRE ACCUM
4	12074704		INSUL-MC CVR (UPPER LEFT)
5	12074701		INSUL-MC CVR V12074701 (UPPER RIGHT)
6	K2099460		MC SIDE L
7	12074601		INSUL-L MC CVR V12074601
8	G5097976		COMPRESSOR ASSEMBLY (363 AND 483)
9	10743201		DRIER, HI SIDE
10	K2099454		BRACKET DRIER
11	PB920201		ACCUMULATOR
12	F2096504		TUBE-DRIER EXT
13	F2099444		TUBE DISCHARGE FORMED POST ACCUM
14	12074702		INSUL-R MC CVR V12074702
15	K2099459		MC SIDE R
16	A3189370		GASKET-FOAM VA3189370
17	K2099455		SUPPORT MC Z
18	C2097595		LOUVER SUPPORT BRACKET
19	PD940088		SCREW, 1/4 X 20 HEX WASHER SERRATED
20	PC920204		HINGE ASM UL
21	PC920203		HINGE ASM UR
22	PB920171		CONDENSER ASM
23	G5098300		INVERTER ASSEMBLY



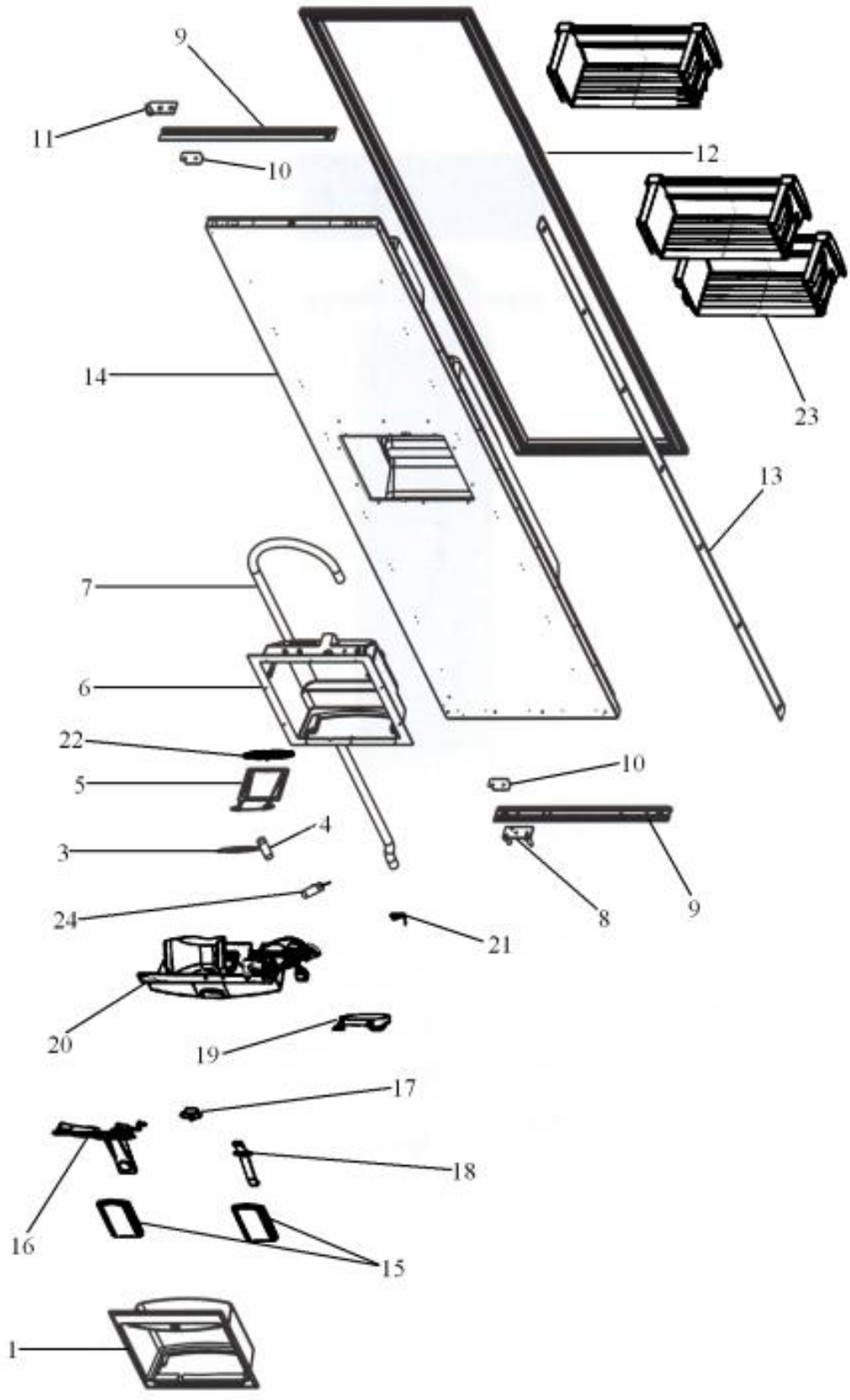
Ref #	Part Number	Qty.	Description
1	PE950135		SWITCH, KEYBOARD
2	PE980003		OVERLAY KEYBOARD SXS 42
3	PE950149		SWITCH POWER
4	K2098654		BRACKET SWITCH POWER
5	PK930230		CONTROL PANEL SXS 42
6	K20910061		CONTROL BOX FRONT
7	PE970465		HARNESS HIGH VOLT
8	PE970463		POWER CONTROL BOARD
9	PE970462		LOW VOLT BOARD
10	PE970464		HARNESS LOW VOLT
11	PM910325		FILM PROTECTIVE
12	PE970331		HARNESS ADAPTER BOARD
13	PE950150		SPDT ROCKER SW. W/LEGEND
14	PE970330		ADAPTER BOARD



Ref #	Part Number	Qty.	Description
1	PM910349		END CAP GRILLE L
2	PM910071		COVER - END CAP 12119801
3	C9099471BK		BRACKET GRILLE SUPPORT DES L
4	C9099470BK		BRACKET GRILLE SUPPORT DES R
5	PM910072		COVER - END CAP 12119802
6	PM910348		ENP CAP GRILLE R
7	G9097768BK		AIR DUCT WELD ASM COMPLETE
8	M0238616		SCREW-SM
9	G3298674		GRILLE ASM SXS 42 FOL



Ref #	Part Number	Qty.	Description
1	PM910102		SIDE TRIM
2	M0210458		SCREW-SM
3	PD950007		STRIKER SWITCH
4	PC920205		PIVOT PL ASM RH LW FOL
5	PC920207		PIVOT PL ASM RH UP FOL
6	PM910310		FRAME - TOP / BOTTOM
7	PD940092		SPACER - DOOR HINGE
8	PB970183		DOOR GASKET
9	G5098625		DOOR ASM SXS 42 FF
NI	PM910097		INSERT SXS FF/FZ SIDE 12063706
NI	PM910312		INSERT FRAME DOOR BTM SXS 42 FF FO
NI	PM910344		INSERT FRAME DOOR TOP SXS 42 FF FO
NI	K2096650		BRKT-DEC PANEL
NI	K2096648		BRKT-DEC PANEL



Ref #	Part Number	Qty.	Description
1	PB910273		BEZEL, ICE / WATER DISPENSER
2	PB980023		SPILL TRAY - I/W DISPENSER
3	12302201		ICE DEFLECTOR
4	PK930274		TUBE CONNECTOR
5	12348201		CHUTE-ICE NO.
6	PK930403		CAVITY DISPENSER
7	PK930292		CHASE CABLE/WATERLINE 42 SXS DISP
8	PC920147		PIVOT PLATE ASSY - WC LH BOT
9	PM910311		FRAME - TOP / BOTTOM
10	PD940092		SPACER - DOOR HINGE
11	PC920132		PIVOT PLATE ASSY - LH
12	PB970175		GASKET
13	PE940176		TRIM - DOOR SXS PRO SIDES
14	G50910709		DOOR FOAM ASM SXS 42 FZ DISP
15	12221005		PAD ACTUATOR
16	PK930259		ARM, ICE ACTUATOR
17	PE950152		SWITCH SLIDE
18	12220301		ARM-WATER DISP NO.
19	12220502		DISPENSER DOOR
20	PM910478		CAVITY COVER ASSEMBLY - BK (BEFORE 4/15/05)
	PM910481		(BEFORE 4/15/05) - INCLUDES SWITCHES CAVITY COVER ASM FOR WHITE BEZEL
	PM910516		(BEFORE 4/15/05) - INCLUDES SWITCHES CAVITY COVER ASSEMBLY
	PM910517		(AFTER 4/15/05) - INCLUDES SWITCHES COVER CAVITY ASM WHITE BEZEL
21	12194803		(AFTER 4/15/05) - INCLUDES SWITCHES SPRING, DISPENSER DOOR
22	12193801		GASKET - ICE DR
23	G5098676		DOORBIN ASM SXS 42 & 48 FZ
24	C8973603		DELAY-DOOR NO.
NI	040085-000		HARNESS, MAIN
NI	G50911859		DISPENSER WATER LINE SLEEVE SERVICE KIT
NI	PB910274		INSERT FACADE
NI	PB910281		(BEFORE 4/15/05) INSERT FACADE SXS DISPENSER
NI	040066-000		(AFTER 4/15/05) HARNESS JUMPER LOWER
NI	040078-000		HARNESS, JUMPER DISP CAVITY
NI	PM910097		INSERT SXS FF/FZ SIDE 12063706
NI	PM910313		INSERT FRAME DOOR BTM SXS 42 FZ FO
NI	PM910345		INSERT FRAME DOOR TOP SXS 42 FZ FO
NI	K2096650		BRKT-DEC PANEL
NI	K2096651		BRKT-DEC PANEL